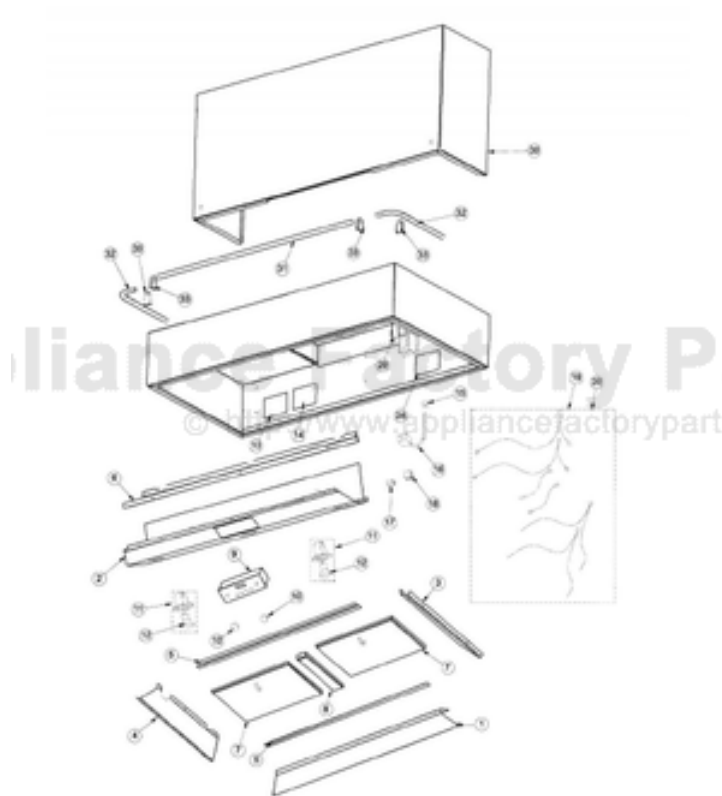


This Owner's Manual is provided and hosted by [Appliance Factory Parts](#).



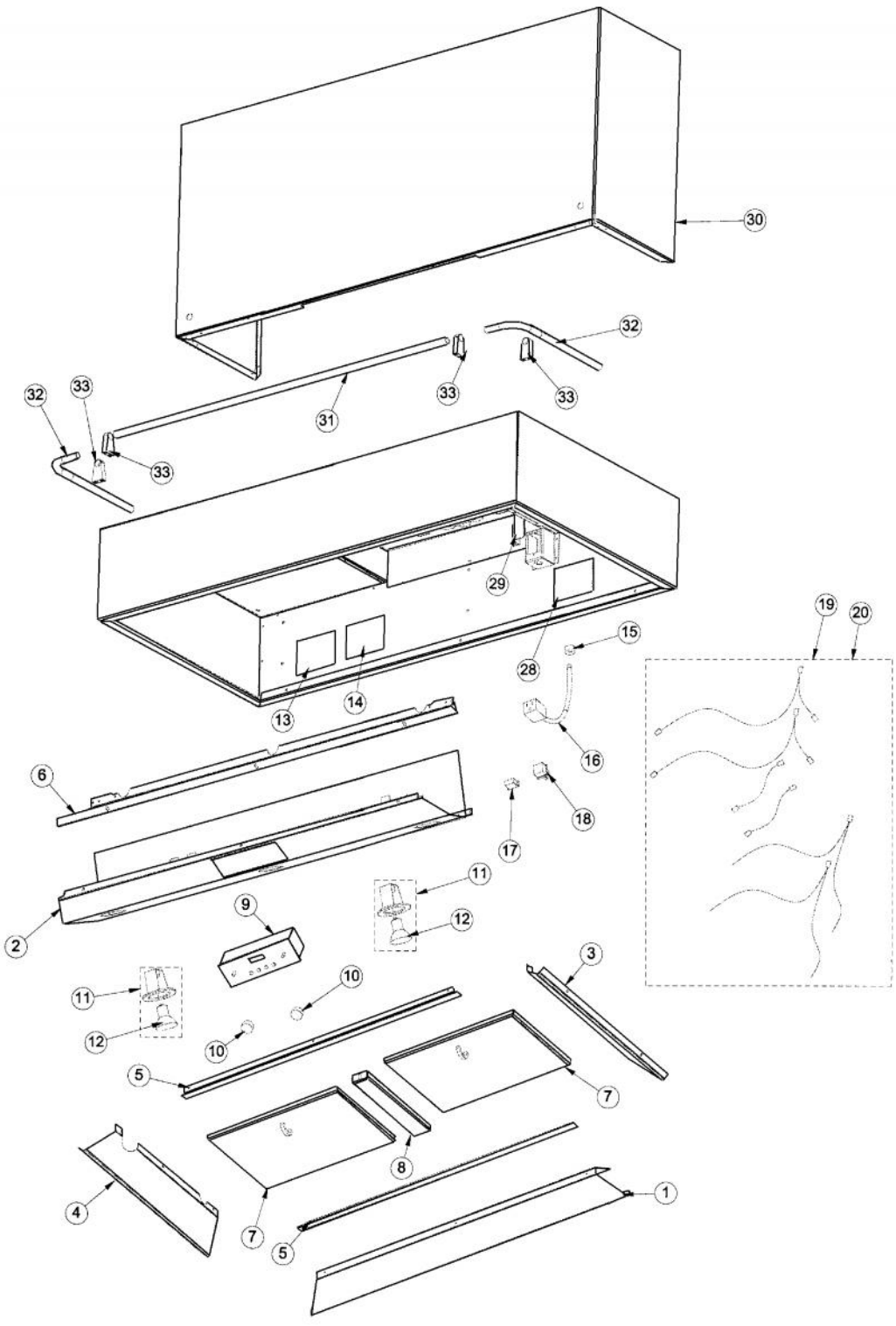
VIKING DSWB3049 Owner's Manual

[Shop genuine replacement parts for VIKING DSWB3049](#)



[Find Your VIKING Range Hoods Parts - Select From 411 Models](#)

----- Manual continues below -----



Ref #	Part Number	Qty.	Description
1	B2004691		30 I/S REAR PANEL
2	B2007043		30 CONTROL PANEL (DSWB3049)
	B2007064		30 CONTROL PANEL (DSWB4849)XULTRAL
3	B2004667		I/S SIDE PANEL RH (DTWS/L/N DSWB)
4	B2005027		I/S SIDE PANEL LH (DTWS/L/N DSWB)
5	B2004693		30 FILTER SUPT. FRONT/REAR
6	B2004695		30 FRONT I/S PANEL
7	G31010266		30/42 FILTER ASSEMBLY 11.75 X 10.375
8	N/A		HEAT SHIELD - MUST ORDER ITEM NO. 11
9	PE050171		SS DESIGNER BLOWER/LIGHT CONTROL
10	PA010089		KNOB (DESIGNER SERIES HOOD)
11	PE050064		LIGHT ASSEMBLY
12	PE050081		50 WATT HALOGEN BULB
13	PE020058		RATING LABEL (ADHESIVE)
14	PF030337		HOOD WARNING LABEL
15	PE070204		HEYCO STRAIN RELIEF - 7-P2
16	PE070205		3 PRONG FEMALE SUPPLY CORD
17	PE070196		FEMALE SOCKET (2 PRONG)
18	PE070197		MALE SOCKET (3 PRONG)
19	J4005005		SUB TO PE070384 - DCWH36 WIRING KIT
	G4005001		DCWH30/36 LINE HARNESS
	G4005002		DCWH30/36 NEUTRAL HARNESS
	G4005003		DCWH36 LIGHT WIRE (BK)
	G4005006		30/36/42 LIGHT NEUTRAL HARNESS
	G4005004		BLOWER WIRE (BK)
	G4005007		BLOWER NEUTRAL HARNESS30/36/42 DESI
20	N/A		HEAT SHIELD - MUST ORDER ITEM NO. 11
21	PD020010		10 X 3/8 GREEN GROUNDING SCREW
22	PD030010		NO.10-24 KEPS NUT
23	PD020087		10 X 1/2 PAN PH. TEK ZINC
24	PD020100		NO.8 X 7/16 PHILLIP HD KNIFE SCREW
25	PD030059		TINNERMAN CLIP
26	PD020032		SRW-8(A)X3/8PH.WFR HD 7/16DIAXNICL
27	PC040010		POP RIVET
28	PF030468		COMPONENT WIRING LABEL
29	A2008139		HOOD WIRE COVER (DTWS30/36/4249)
30	DCSB3008BK		30`` DUCT COVER - BK (HEIGHT - 21``)
	DCSB3008BT		30`` DUCT COVER - BT (HEIGHT - 21``)
	DCSB3008GG		30`` DUCT COVER - GG (HEIGHT - 21``)
	DCSB3008SG		30`` DUCT COVER - SG (HEIGHT - 21``)
	DCSB3008SS		30`` DUCT COVER - SS (HEIGHT - 21``)
	DCSB3008WH		30`` DUCT COVER - WH (HEIGHT - 21``)
	DCSB3009BK		30`` DUCT COVER - BK (HEIGHT - 33``)
	DCSB3009BT		30`` DUCT COVER - BT (HEIGHT - 33``)
	DCSB3009GG		30`` DUCT COVER - GG (HEIGHT - 33``)
	DCSB3009SG		30`` DUCT COVER - SG (HEIGHT - 33``)
	DCSB3009SS		30`` DUCT COVER - SS (HEIGHT - 33``)
	DCSB3009WH		30`` DUCT COVER - WH (HEIGHT - 33``)
	DCSB3010BK		30`` DUCT COVER - BK (HEIGHT - 44``)
	DCSB3010BT		30`` DUCT COVER - BT (HEIGHT - 44``)
	DCSB3010GG		30`` DUCT COVER - GG (HEIGHT - 44``)
	DCSB3010SG		30`` DUCT COVER - SG (HEIGHT - 44``)
	DCSB3010SS		30`` DUCT COVER - SS (HEIGHT - 44``)
	DCSB3010WH		30`` DUCT COVER - WH (HEIGHT - 44``)
31	F0003869		ACCESSORY RAIL - BR
	F0003873		ACCESSORY RAIL - SS
32	F3008136		SIDE RAIL XBRX (DSWB)
	F3008137		SIDE RAIL XCRX (DSWB)
33	PE030053		MIDDLE RAIL SUPPORT - BR
	PE030052		SUPPORT TUBE, HOLE THROUGH

Ref #	Part Number	Qty.	Description
34	PE030052 PD020002		SUPPORT TUBE, HOLE THROUGH 10 X 1/2 PH.TR.HD.SMS.