

This Owner's Manual is provided and hosted by [Appliance Factory Parts](#).



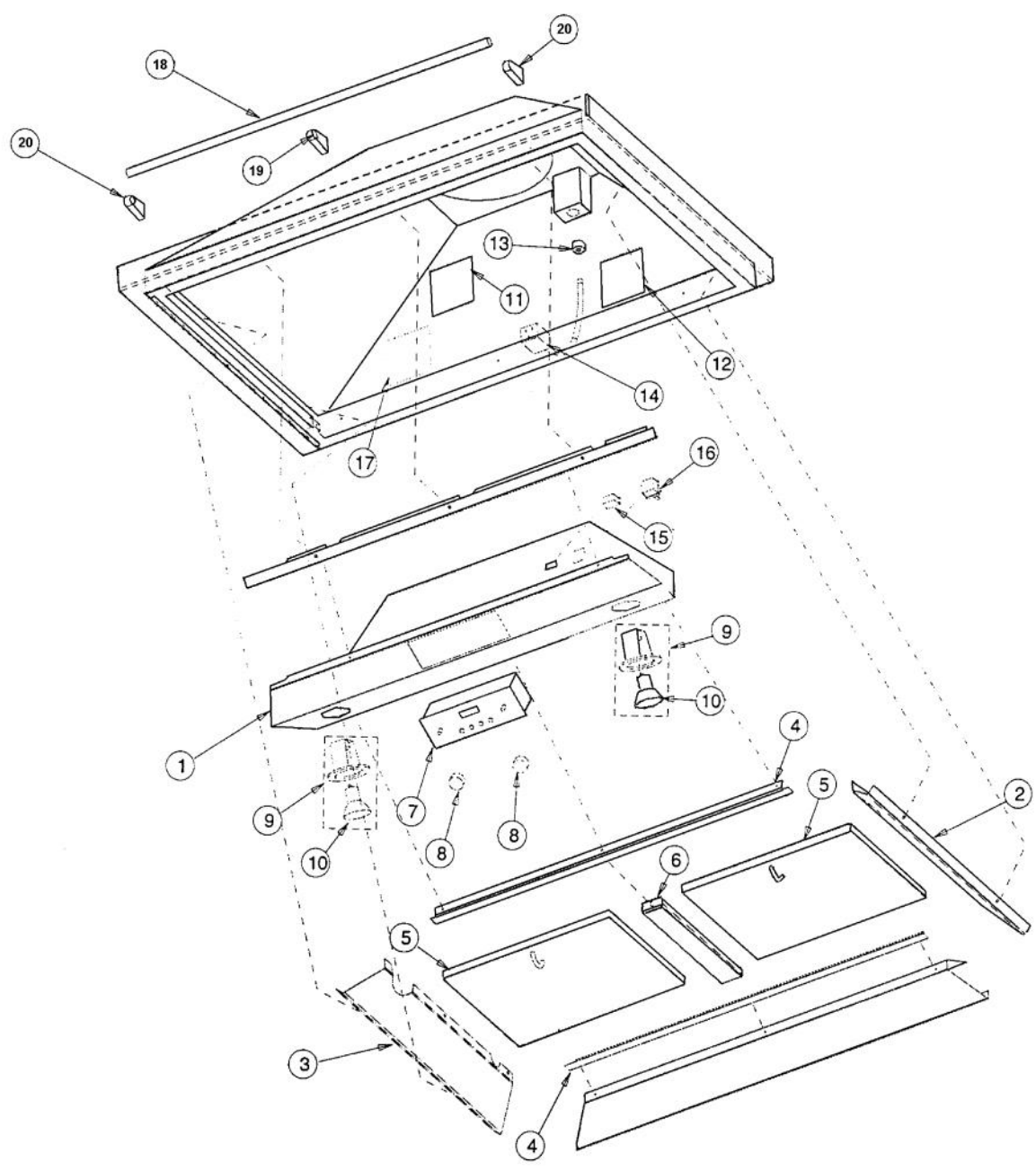
VIKING DTWN3048 Owner's Manual

[Shop genuine replacement parts for VIKING DTWN3048](#)

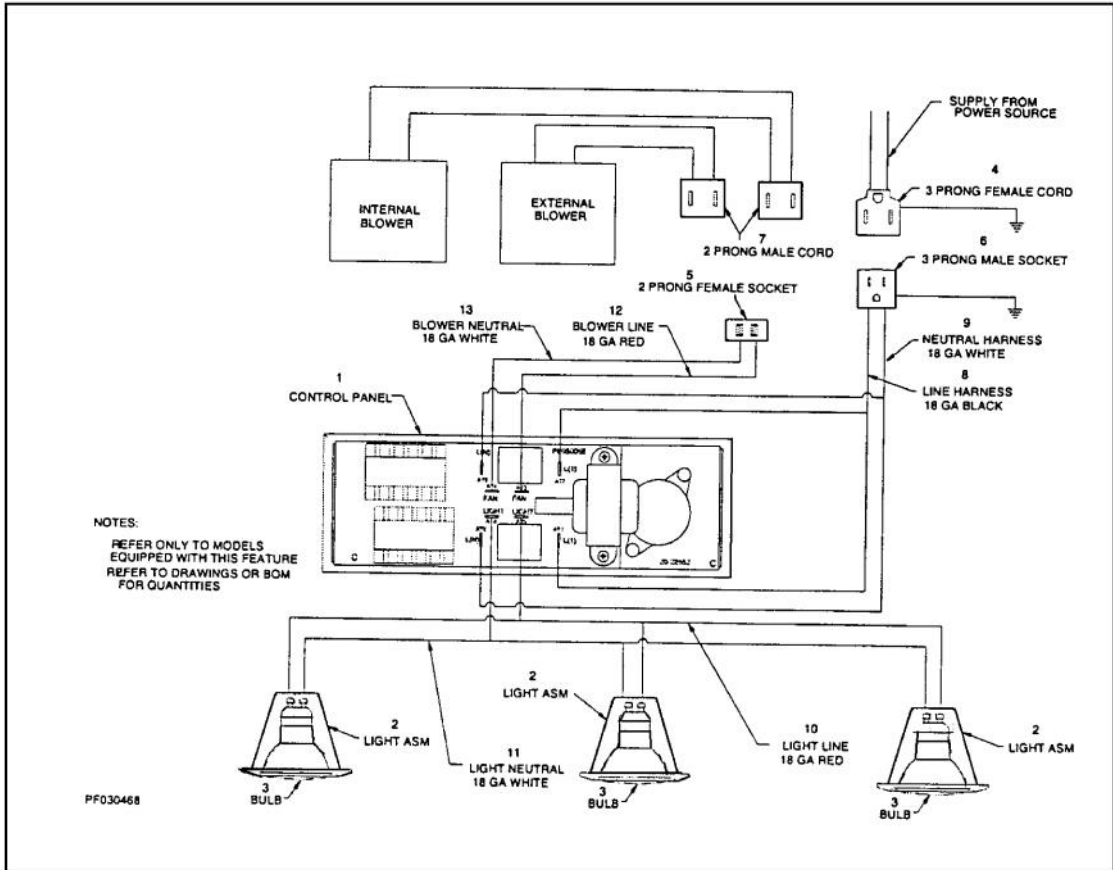


[Find Your VIKING Range Hoods Parts - Select From 411 Models](#)

----- Manual continues below -----



Ref #	Part Number	Qty.	Description
1	B2004692		30 CONTROL PANEL
2	B2004667		I/S SIDE PANEL RH (DTWS/L/N DSWB)
3	B2005027		I/S SIDE PANEL LH (DTWS/L/N DSWB)
4	B2004693		30 FILTER SUPT. FRONT/REAR
5	G31010266		30/42 FILTER ASSEMBLY 11.75 X 10.375
6	N/A		HEAT SHIELD - MUST ORDER ITEM NO. 11
7	PE050171		SS DESIGNER BLOWER/LIGHT CONTROL
8	PA010089		KNOB (DESIGNER SERIES HOOD)
9	PE050064		LIGHT ASSEMBLY
10	PE050081		50 WATT HALOGEN BULB
11	PE020058		RATING LABEL (ADHESIVE)
12	PF030337		HOOD WARNING LABEL
13	PE070204		HEYCO STRAIN RELIEF - 7-P2
14	PE070205		3 PRONG FEMALE SUPPLY CORD
15	PE070196		FEMALE SOCKET (2 PRONG)
16	PE070197		MALE SOCKET (3 PRONG)
17	PF030468		COMPONENT WIRING LABEL
18	F0003869		ACCESSORY RAIL - BR
19	PE030053		MIDDLE RAIL SUPPORT - BR
	PE030052		SUPPORT TUBE, HOLE THROUGH
20	PE030055		END CAP - BR
	PE030054		END CAP - SS



Ref #	Part Number	Qty.	Description
1	PE050062		SUB TO PE050171 - BLOWER/LIGHT CONTROL
2	PE050064		LIGHT ASSEMBLY
3	PE050081		50 WATT HALOGEN BULB
4	PE070205		3 PRONG FEMALE SUPPLY CORD
5	PE070196		FEMALE SOCKET (2 PRONG)
6	PE070197		MALE SOCKET (3 PRONG)
7	PE070248		2 PRONG MALE SUPPLY CORD (DIV460)
8	G4005001		DCWH30/36 LINE HARNESS
9	G4005002		DCWH30/36 NEUTRAL HARNESS
10	G4005003		DCWH36 LIGHT WIRE (BK)
11	G4005006		30/36/42 LIGHT NEUTRAL HARNESS
12	G4005004		BLOWER WIRE (BK)
13	G4005007		BLOWER NEUTRAL HARNESS30/36/42 DESI