

This Owner's Manual is provided and hosted by [Appliance Factory Parts](#).



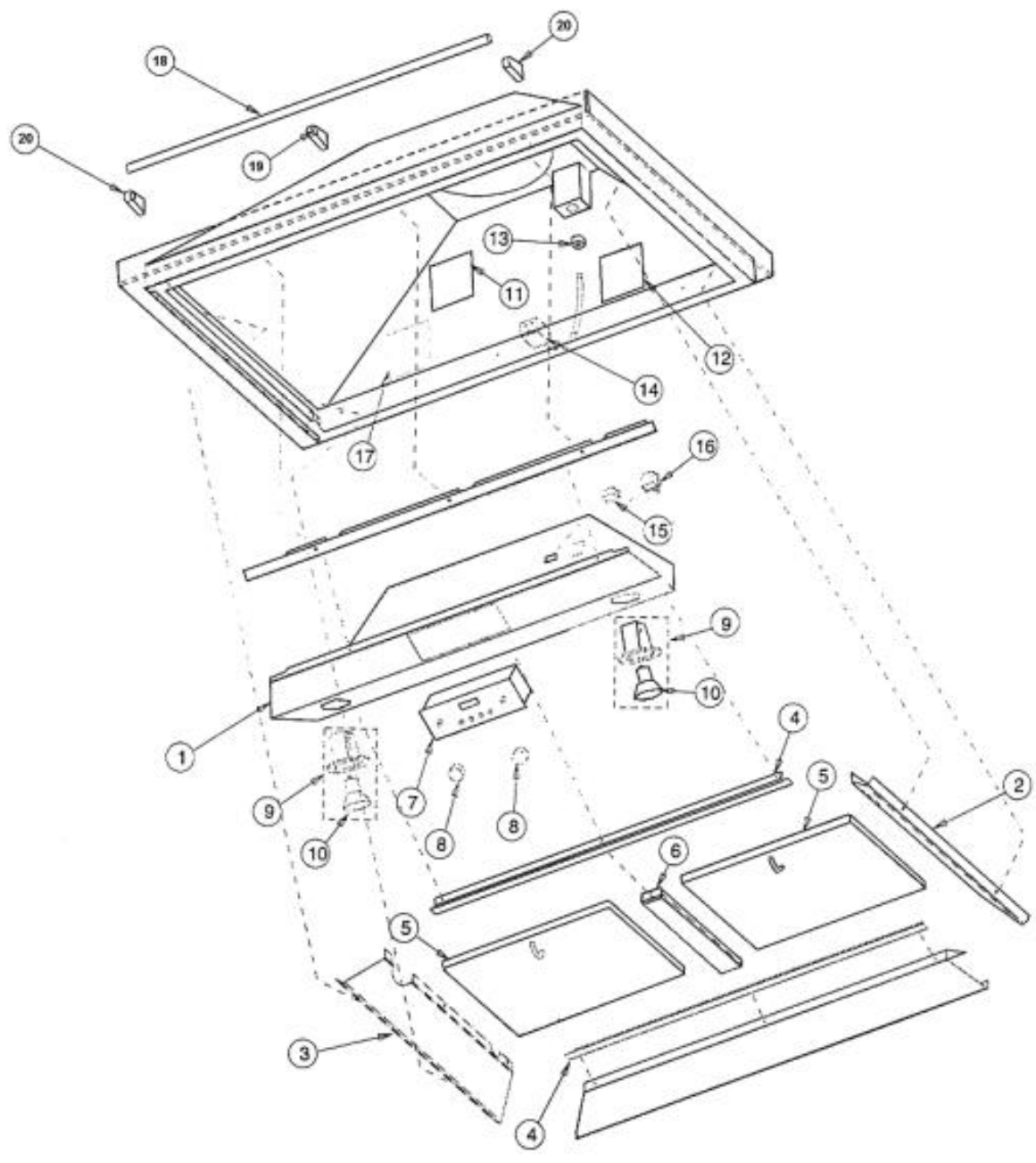
# VIKING DTWN3648 Owner's Manual

[Shop genuine replacement parts for VIKING DTWN3648](#)



[Find Your VIKING Range Hoods Parts - Select From 411 Models](#)

----- Manual continues below -----



Ref #	Part Number	Qty.	Description
1	B2004666		36 CONTROL PANEL
2	B2004667		I/S SIDE PANEL RH (DTWS/L/N DSWB)
3	B2005027		I/S SIDE PANEL LH (DTWS/L/N DSWB)
4	B2004673		FILTER SUPT. FRONT/REAR
5	G31010268		FILTER ASSEMBLY (DESIGNER) 13.848 X 10.375
6	002554-000		DESIGNER FILTER SPACER 1.75 X 11.402 (DTWS36/DTWN4...
7	PE050171		SS DESIGNER BLOWER/LIGHT CONTROL
8	PA010089		KNOB (DESIGNER SERIES HOOD)
9	PE050064		LIGHT ASSEMBLY
10	PE050081		50 WATT HALOGEN BULB
11	PE020058		RATING LABEL (ADHESIVE)
12	PF030337		HOOD WARNING LABEL
13	PE070204		HEYCO STRAIN RELIEF - 7-P2
14	PE070205		3 PRONG FEMALE SUPPLY CORD
15	PE070196		FEMALE SOCKET (2 PRONG)
16	PE070197		MALE SOCKET (3 PRONG)
17	PF030468		COMPONENT WIRING LABEL
18	PE030059		36 BRASS ACCESSORY RAIL
19	PE030053		MIDDLE RAIL SUPPORT - BR
	PE030052		SUPPORT TUBE, HOLE THROUGH
20	PE030055		END CAP - BR
	PE030054		END CAP - SS