

This Owner's Manual is provided and hosted by [Appliance Factory Parts](#).



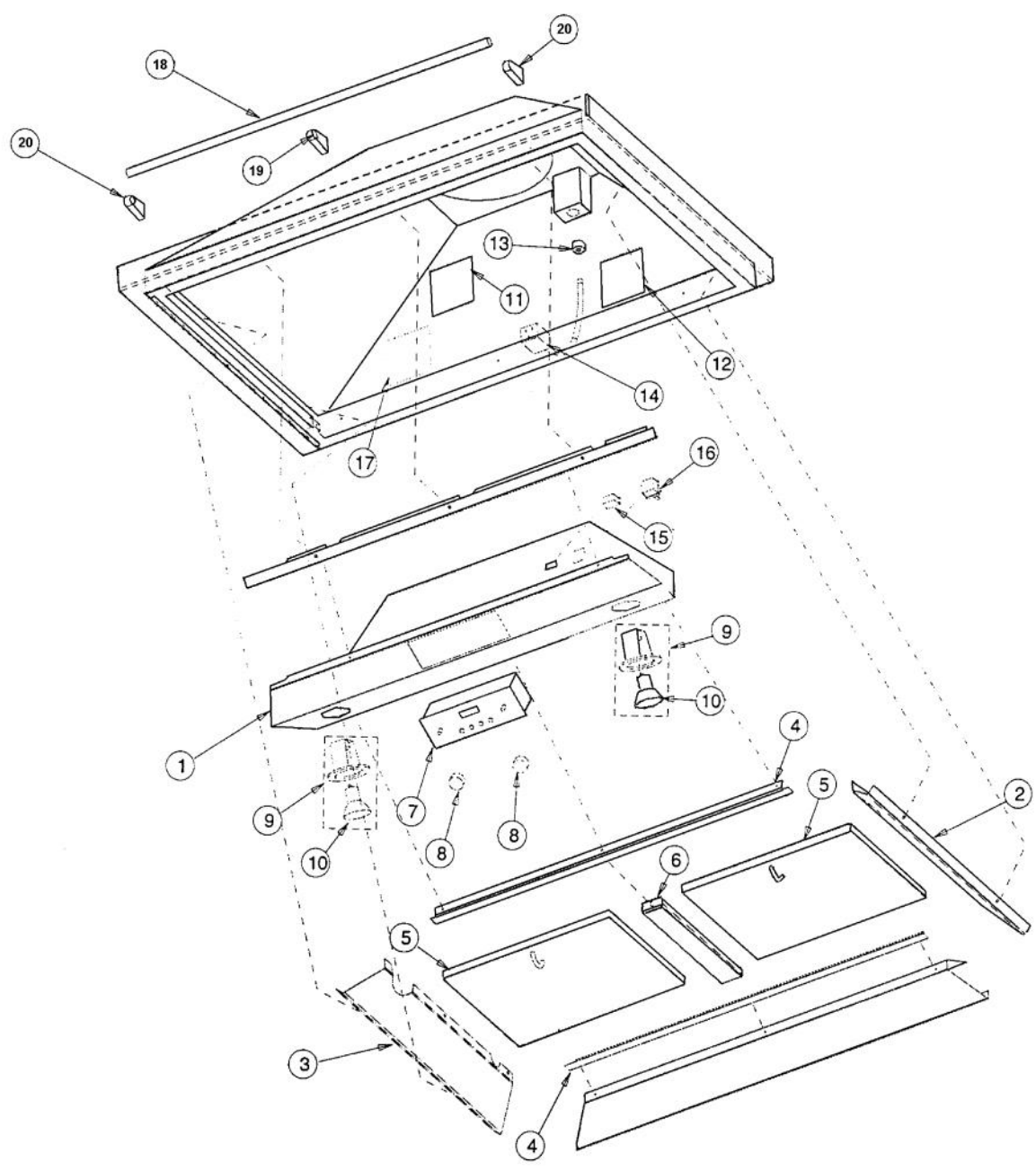
VIKING DTWN4848 Owner's Manual

[Shop genuine replacement parts for VIKING DTWN4848](#)



[Find Your VIKING Range Hoods Parts - Select From 411 Models](#)

----- Manual continues below -----



Ref #	Part Number	Qty.	Description
1	B2004682		48 CONTROL PANEL
2	B2004667		I/S SIDE PANEL RH (DTWS/L/N DSWB)
3	B2005027		I/S SIDE PANEL LH (DTWS/L/N DSWB)
4	B2004683		FILTER SUPPORT FRONT/REAR
5	G31010268		FILTER ASSEMBLY (DESIGNER) 13.848 X 10.375
6	N/A		HEAT SHIELD - MUST ORDER ITEM NO. 11
7	PE050171		SS DESIGNER BLOWER/LIGHT CONTROL
8	PA010089		KNOB (DESIGNER SERIES HOOD)
9	PE050064		LIGHT ASSEMBLY
10	PE050081		50 WATT HALOGEN BULB
11	PE020058		RATING LABEL (ADHESIVE)
12	PF030337		HOOD WARNING LABEL
13	PE070204		HEYCO STRAIN RELIEF - 7-P2
14	PE070205		3 PRONG FEMALE SUPPLY CORD
15	PE070196		FEMALE SOCKET (2 PRONG)
16	PE070197		MALE SOCKET (3 PRONG)
17	PF030468		COMPONENT WIRING LABEL
18	PE030067		48 ACCESSORY RAIL BR
19	PE030053		MIDDLE RAIL SUPPORT - BR
	PE030052		SUPPORT TUBE, HOLE THROUGH
20	PE030055		END CAP - BR
	PE030054		END CAP - SS

Ref #	Part Number	Qty.	Description
1	PE050062		SUB TO PE050171 - BLOWER/LIGHT CONTROL
2	PE050064		LIGHT ASSEMBLY
3	PE050081		50 WATT HALOGEN BULB
4	PE070205		3 PRONG FEMALE SUPPLY CORD
5	PE070196		FEMALE SOCKET (2 PRONG)
6	PE070197		MALE SOCKET (3 PRONG)
7	PE070248		2 PRONG MALE SUPPLY CORD (DIV460)
8	G4005001		DCWH30/36 LINE HARNESS
9	G4005002		DCWH30/36 NEUTRAL HARNESS
10	G4005003		DCWH36 LIGHT WIRE (BK)
	G4005012		48 LIGHT WIRE ASSEMBLY
11	G4005006		30/36/42 LIGHT NEUTRAL HARNESS
	G4005013		48 LIGHT NEUTRAL HARNESS
12	G4005004		BLOWER WIRE (BK)
13	G4005007		BLOWER NEUTRAL HARNESS30/36/42 DESI