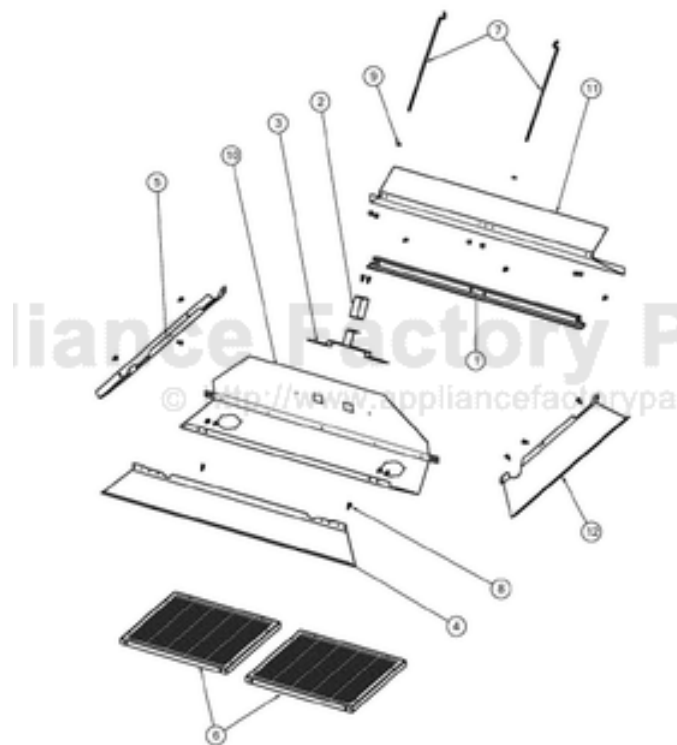


This Owner's Manual is provided and hosted by [Appliance Factory Parts](#).



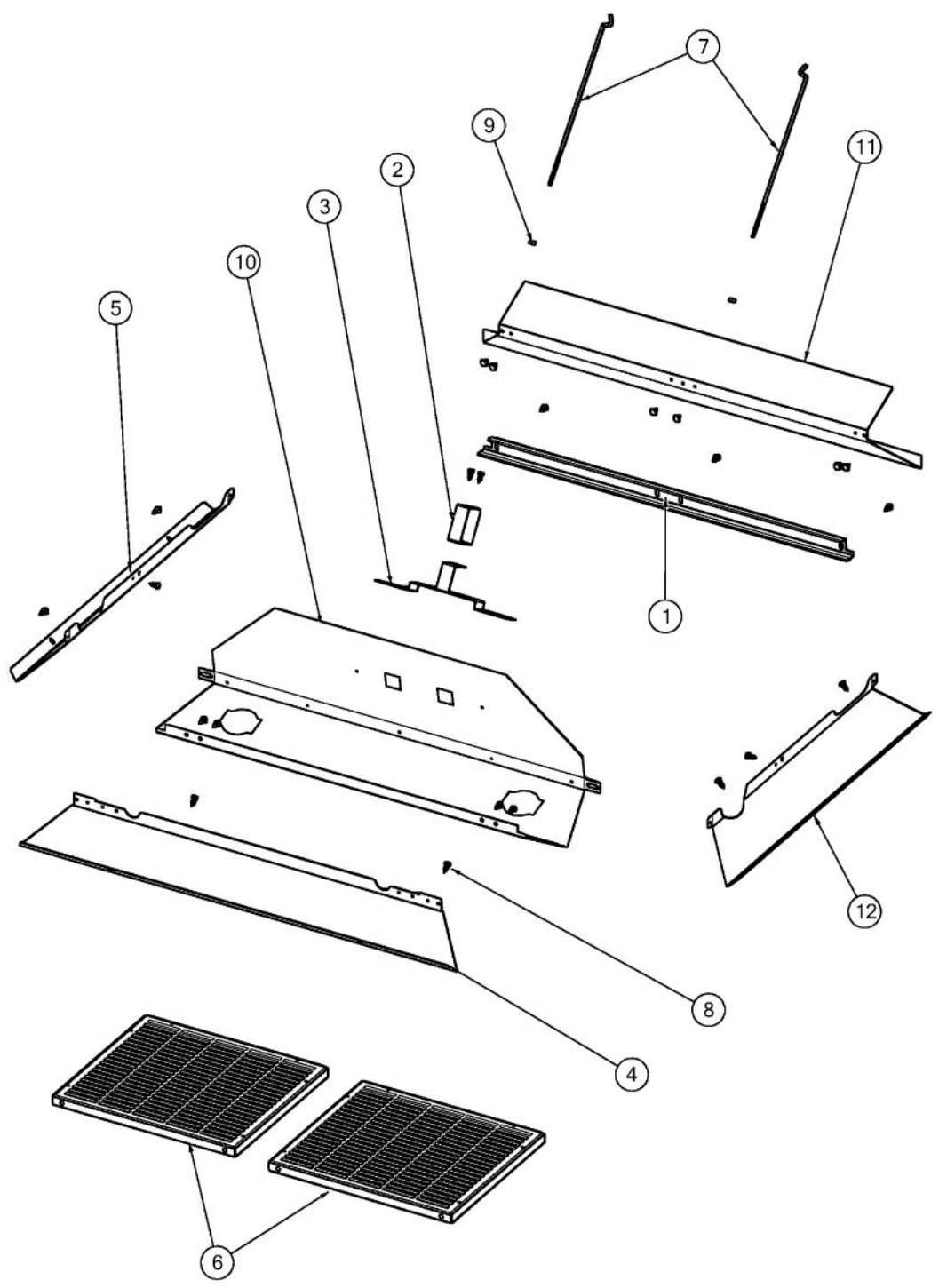
# VIKING RVCH330 Owner's Manual

[Shop genuine replacement parts for VIKING RVCH330](#)

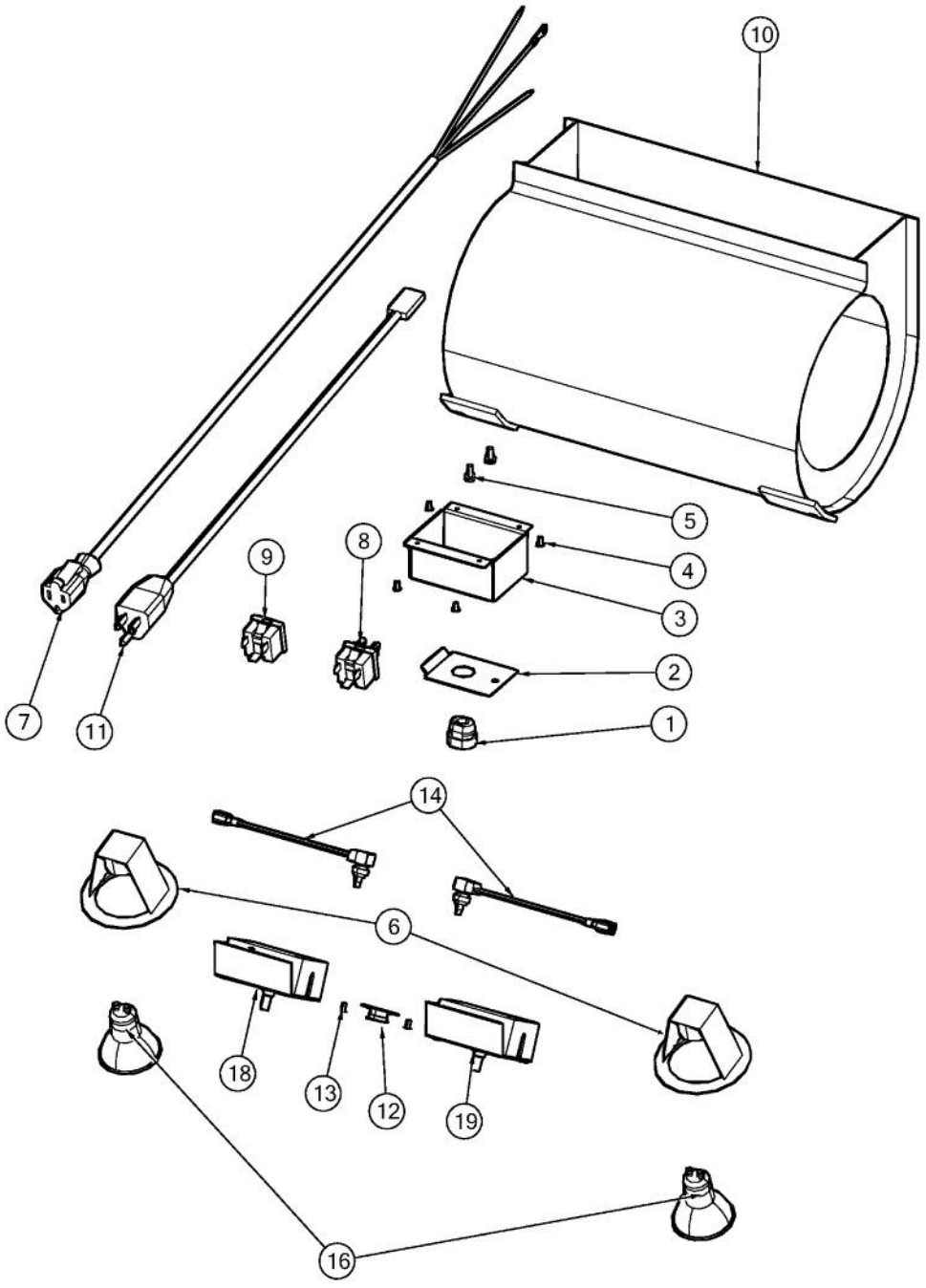


[Find Your VIKING Range Hoods Parts - Select From 411 Models](#)

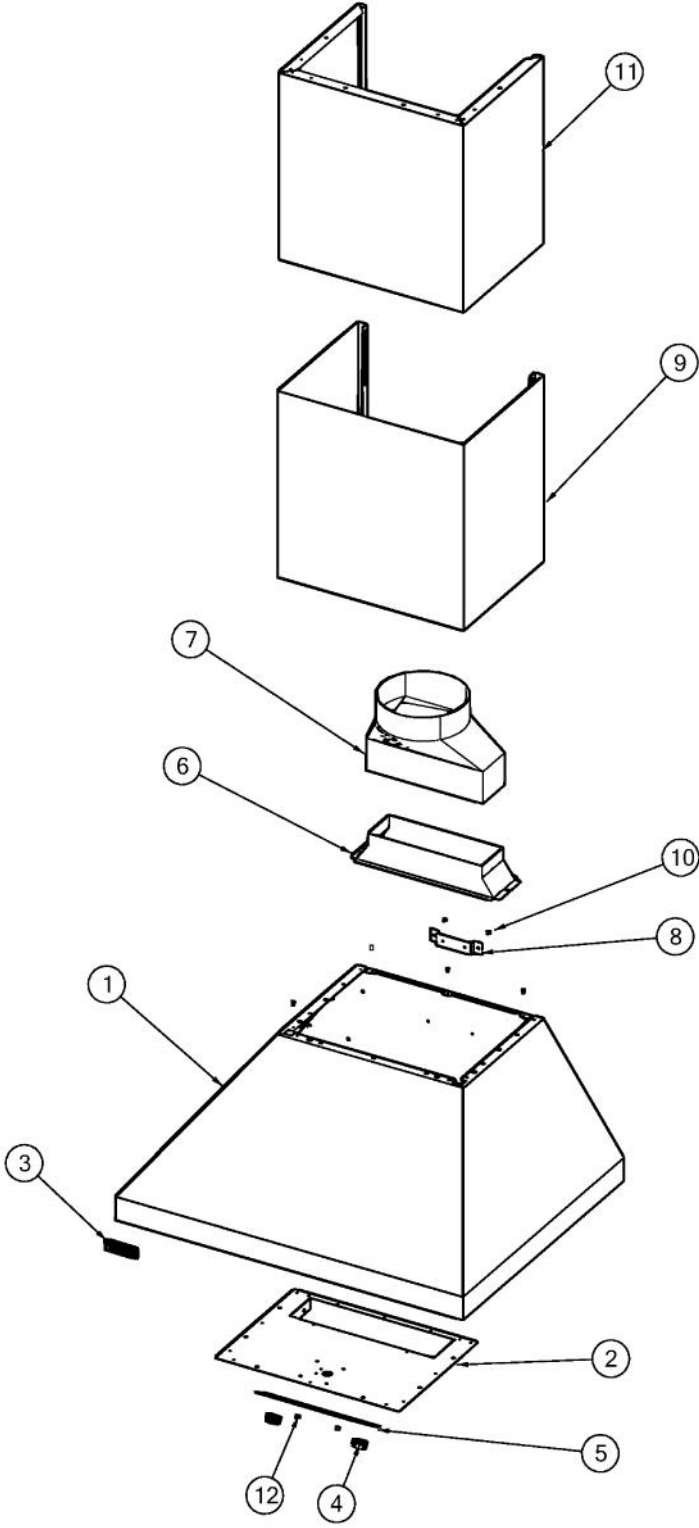
----- Manual continues below -----



Ref #	Part Number	Qty.	Description
1	016349-000	1	30 REAR FILTER SUPPORT
2	A2103810	1	THERMODISC BRACKET
3	B20010270	1	LT/FAN SWITCH BRKT (DCH30/36)
4	B2004695	1	30 FRONT I/S PANEL
5	B2007324	1	I/S SIDE PANEL - LH
6	G31010266	2	30/42 FILTER ASSEMBLY 11.75 X 10.375
7	PD010035	2	BLOWER MTG ROD NO.10-24 99420464
8	PD020087	23	10 X 1/2 PAN PH. TEK ZINC
9	PD030010	2	NO.10-24 KEPS NUT
10	B20010259	1	CONTROL PANEL (DCH3042)
11	B2004691	1	30 I/S REAR PANEL
12	B2007323	1	I/S SIDE PANEL - RH



Ref #	Part Number	Qty.	Description
1	PE070204	1	HEYCO STRAIN RELIEF - 7-P2
2	A2003826	1	ROUGH IN BOX COVER (VWH30/3610)
3	A2003825	1	ROUGH IN BOX (VWH30/3610)
4	PC040010	4	POP RIVET
5	PD020010	2	10 X 3/8 GREEN GROUNDING SCREW
6	PE050064	2	LIGHT ASSEMBLY
7	039680-000	1	CORD, PWR, SUPPLY, VNT HD
8	PE070197	1	MALE SOCKET (3 PRONG)
9	PE070541	1	3-PRONG FEMALE SOCKET
10	PE050042	1	BLOWER INT 460 CFM 97007542
11	PE070542	1	3-PRONG MALE CORD W/AMP CON
12	PJ030014	1	HEAT SENSOR (N.O.) 160 DEG.
13	PC040010	2	POP RIVET
14	PE050168	2	DCH FAN/LIGHT SWITCH (DCH30/36)
16	PE050081	2	50 WATT HALOGEN BULB
18	PE050169	1	BLOWER CONTROL (DCH30/36)
19	PE050170	1	LIGHT CONTROL (VIH54/66 DCH30/36 VCIH54/66)
NI	PE070556	1	DCH30/3642 WIRE KIT



Ref #	Part Number	Qty.	Description
1	043096-000	1	30 CANOPY ASSEMBLY - SS
1	043098-002	1	30 CANOPY ASSEMBLY - BK
1	043098-006	1	30 CANOPY ASSEMBLY - WH
2	A2009374	1	HOOD TOP (DCH30/3642)
3	041991-000	1	NAMEPLATE, VIKING, 2.750
4	PA010089	2	KNOB (DESIGNER SERIES HOOD)
5	PE040232	1	CONTROL PANEL W/ GRAPHICS (DCH30/36)
6	PE050043	1	DAMPER/TRANSITION 460 CFM 97006078
7	PM010045	1	3 1/4 X 10 RECT. TO 7 DIA(TRANS)
8	B2006285	1	HAT BRACKET (VWH3010/3610)
9	G31011011SS	1	DUCT COVER BOTTOM ASSY (DCC16)
9	G31011011BK	1	COVER, DUCT, BOTTOM ASSY - BK
9	G31011011WH	1	COVER, DUCT, BOTTOM ASSY - WH
10	PC040010	2	POP RIVET
11	G31011009SS	1	DUCT COVER TOP ASSY (DCC16)
11	G31011009BK	1	COVER, DUCT, TOP, ASSY - BK
11	G31011009WH	1	COVER, DUCT, TOP, ASSY - WH
12	PA010093	2	DESIGNER OVEN LT SWITCH KNOB