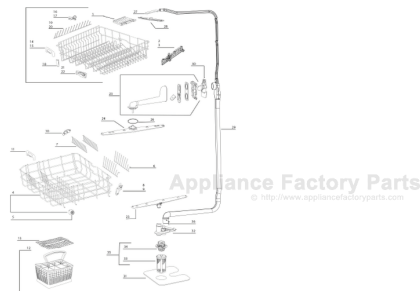


This Owner's Manual is provided and hosted by [Appliance Factory Parts](http://www.appliancefactoryparts.com).



# VIKING RVDW102WS Owner's Manual

**Shop genuine replacement parts for VIKING  
RVDW102WS**



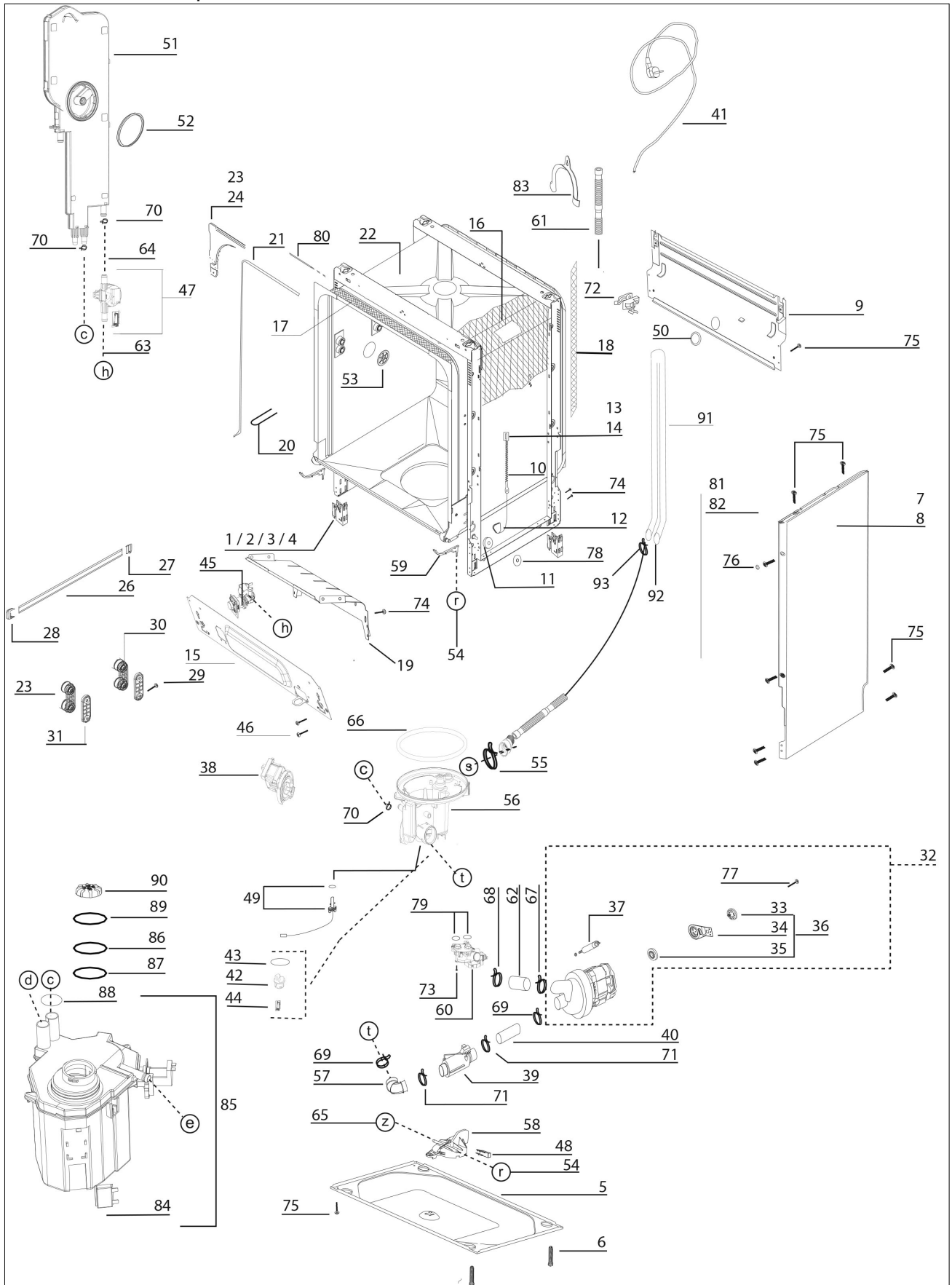
**[Find Your VIKING Range Hoods Parts - Select From 411 Models](#)**

----- Manual continues below -----

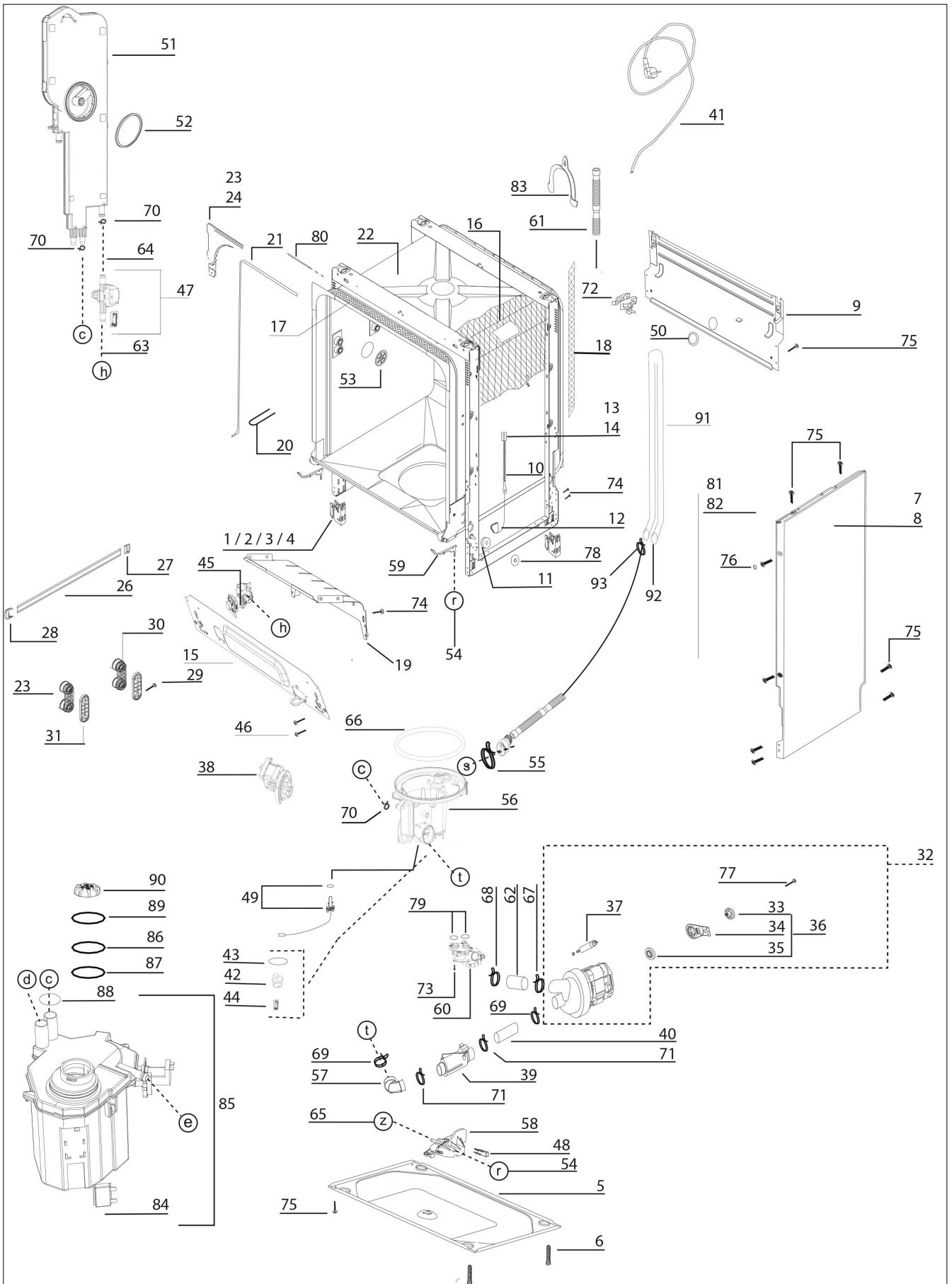
**RVDW102WS**

RVDW102WS Chassis parts .....	1
RVDW102WS Inner Tub parts .....	2
RVDW102WS Door parts .....	3
RVDP324SS Outer Door Assy .....	4
Appendix A:Pages Index .....	A
Appendix B:Parts Index .....	B

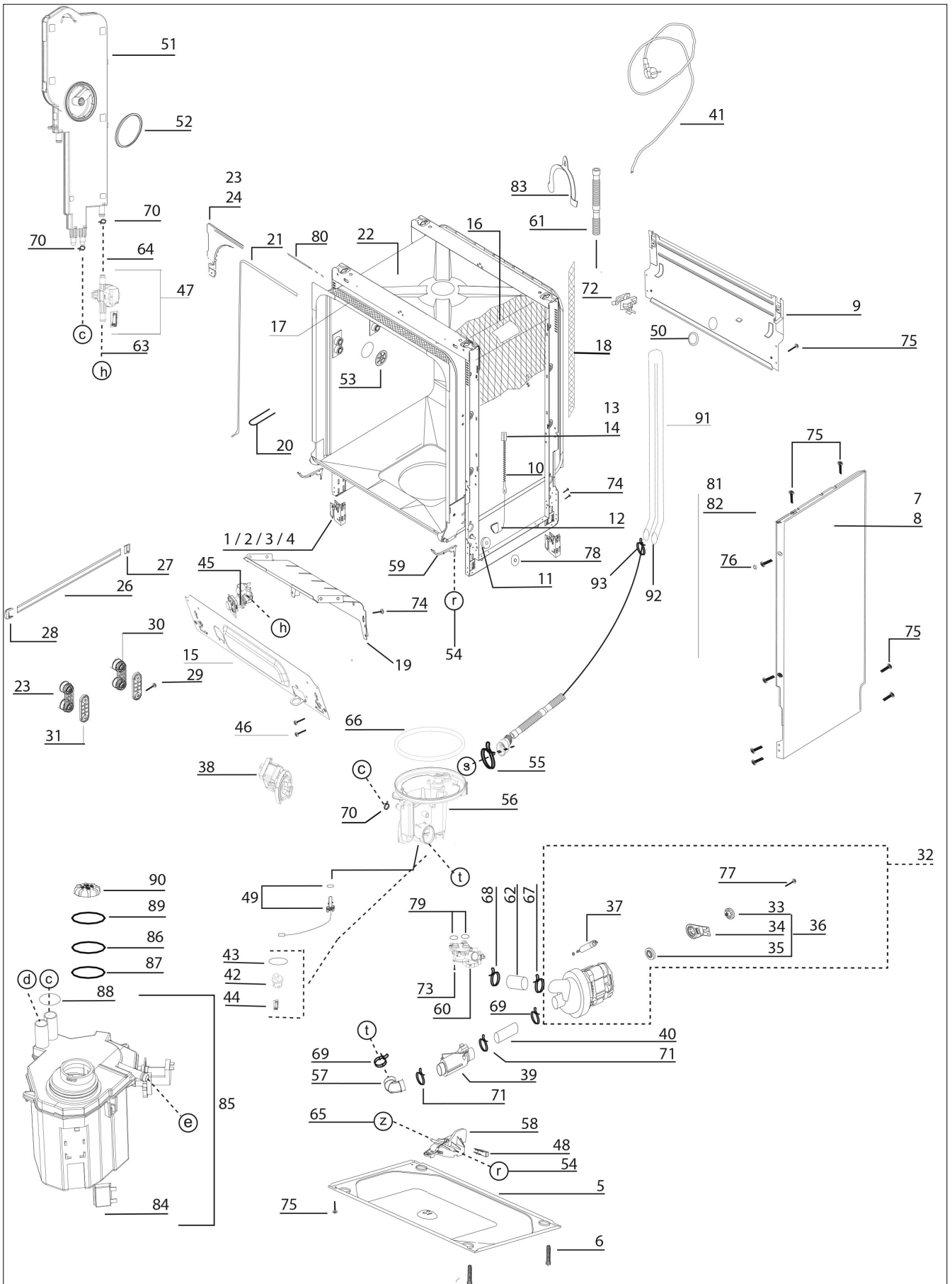
RVDW102WS Chassis parts



Item	Part No.	Name	Qty	Uom	NOTES
1	050779-000	FOOT GROUP-ADJUSTABLE-RIGHT-FRONT	1	EA	
2	039941-000	FOOT GROUP-ADJUSTABLE-RIGHT-BACK	1	EA	
3	039942-000	FOOT GROUP-ADJUSTABLE-LEFT-FRONT	1	EA	
4	039943-000	Rear feet Adjustable LEFT BACK	1	EA	
5	039886-000	BOTTOM TRAY	1	EA	
6	039889-000	FOOT GROUP-ADJUSTABLE	4	EA	
7	057516-000	SIDE PANEL-LEFT	1	EA	
8	057517-000	SIDE PANEL-RIGHT	1	EA	
9	040592-000	REAR BOTTOM SUPPORT	1	EA	
10	057495-000	HINGE SPRING	4	EA	
11	060004-000	HINGE WHEEL		EA	Not available online / Call for pricing and availability
12	039894-000	HINGE ROPE GROUP	2	EA	
13	039763-000	DOOR ADJUSTMENT GROUP-LEFT	1	EA	
14	059866-000	DOOR ADJUSTMENT GROUP	1	EA	
15	039773-000	KICK PLATE SHEET		EA	
16	039774-000	INNER TUB ISOLATION	1	EA	
17	039923-000	DOOR LOCK COTTON FLEECE	1	EA	
18	039922-000	REAR FRAME COTTON FLEECE	1	EA	
19	039885-000	LOWER SUPPORT - FRONT		EA	
20	039901-000	DOOR LOCK HOOK	1	EA	
21	039769-000	DOOR SEALING GASKET	1	EA	
22	039775-000	WELDED MECHANICAL GROUP	1	EA	
23	039767-000	TOP CORNER BRACKET - LEFT	1	EA	
24	039768-000	TOP CORNER BRACKET - RIGHT	1	EA	
23	059869-000	RAIL WHEEL GROUP	4	EA	Not available online / Call for pricing and availability
26	039887-000	RAIL	2	EA	
27	050782-000	rail cap front back	4	EA	



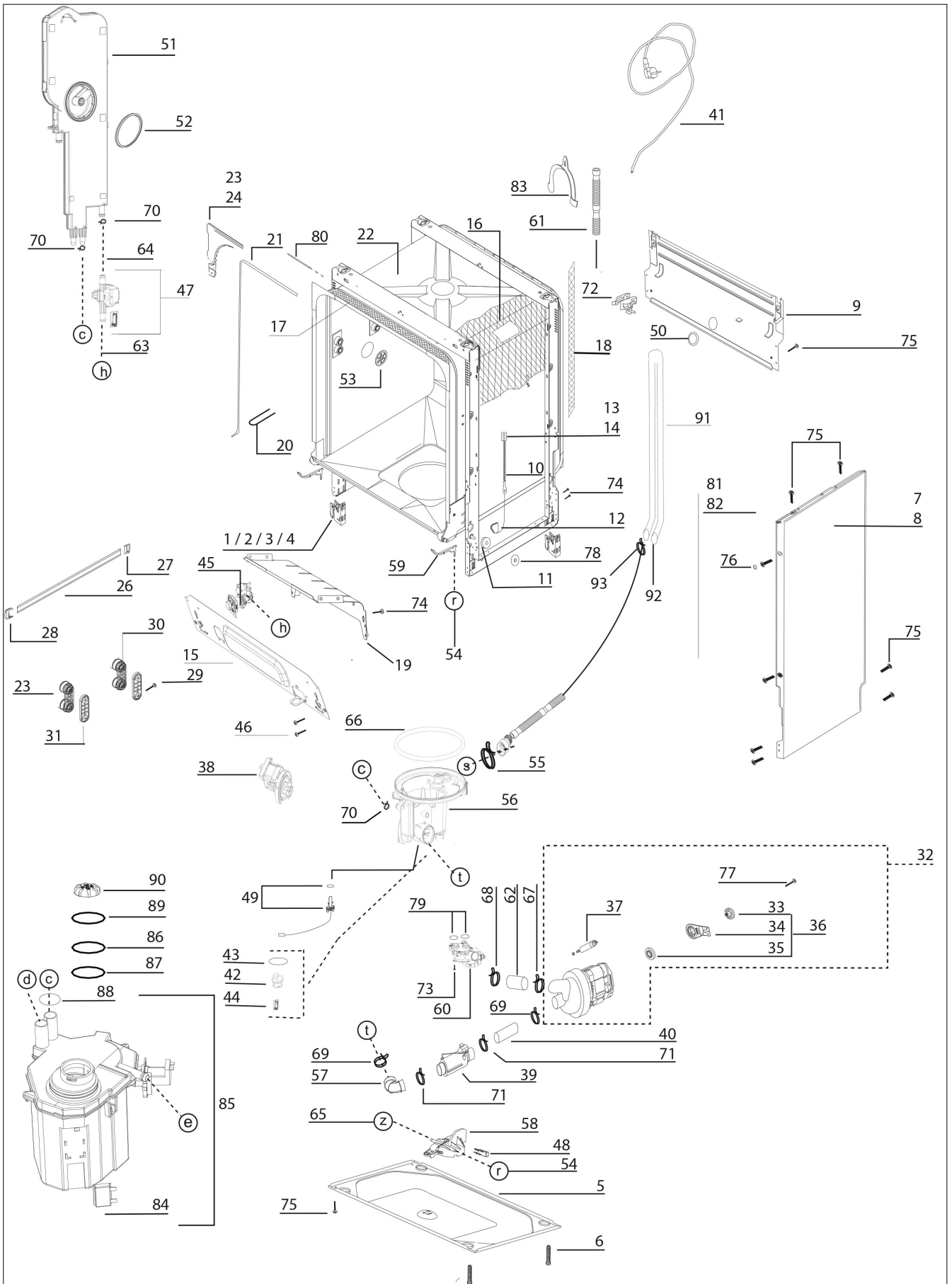
Item	Part No.	Name	Qty	Uom	NOTES
28	039717-000	RAIL CAP	4	EA	
29	039766-000	RAIL WHEEL SCREW	8	EA	
30	039793-000	RAIL WHEEL GROUP	8	EA	
31	039777-000	RAIL WHEEL HOLDER	4	EA	
32	039732-000	MOTOR & SPRAY PUMP	1	EA	
33	039890-000	MOTOR FIXING CAP	1	EA	
34	039724-000	MOTOR BRACKET GROUP	1	EA	
35	039897-000	DAMPENING RUBBER	1	EA	
36	039731-000	MOTOR BRACKET GROUP	1	EA	
37	039759-000	CAPACITOR	1	EA	
38	039758-000	DRAIN PUMP GROUP	1	EA	
39	039757-000	FLOW THROUGH HEATER	1	EA	
40	039716-000	PUMP INLET HOSE	1	EA	
41	039949-000	MAIN PLUG EURO 120 V CANADA	1	EA	
42	039900-000	TURBIDITY FRAME	1	EA	
43	039868-000	O-RING (TURBIDITY)	1	EA	
44	039950-000	TURBIDITY CARD AND LED HOLDER GR	1	EA	
45	039756-000	WATER INLET VALVE	1	EA	
46	039761-000	SCREW		EA	
47	050887-000	COUNTER GROUP	1	EA	
48	039913-000	MICRO SWITCH	1	EA	
49	039933-000	NTC GROUP		EA	
50	039918-000	DRAIN HOSE HOLDER 7037	2	EA	
51	061486-000	REGENERATION UNIT	1	EA	
52	039910-000	AIR FUNNEL GASKET	1	EA	
<p>Comments for Part Num. 039910-000</p> <p>bradleysapplianceservice@shaw.ca on Feb 28, 2017</p> <p>SUBS TO: 039910-000 AIR FUNNEL GASKET</p>					
53	050778-000	air funnel cup	1	EA	
54	039872-000	HOSE	1	EA	
55	039735-000	SUMP GROUP	1	EA	



Item	Part No.	Name	Qty	Uom	NOTES
56	039723-000	HOSE BETWEEN SUMP AND HEATER	1	EA	
57	039934-000	OVERFLOW FLOAT GROUP	1	EA	
58	039921-000	OVERFLOW SIPHON	2	EA	
59	039863-000	THREE WAY VALVE	1	EA	
60	039726-000	DRAIN HOSE	1	EA	
<p>Comments for Part Num. 039726-000</p> <p>bradleysapplianceservice@shaw.ca on Jul 15, 2016                      IF LONG EXTERIOR DRAIN HOSE IS REQUIRED - FROM BACK OF DISHWASHER TO DRAIN OUTLET - ORDER PART NUMBER: 039726-000 DRAIN HOSE                      IF SUMP TO BACK OF UNIT DRAIN HOSE IS REQUIRED - INSIDE OF UNIT - ORDER PART NUMBER: 039725-000 SUMP DRAIN HOSE (16 INCHES LONG)                      Reply by profixappliances@gmail.com on Dec 12, 2017                      Thank you for the clarification!</p>					
61	039727-000	HOSE	1	EA	
62	039867-000	HOSE	1	EA	
63	039866-000	HOSE BETWEEN COUNTER AND REGENERATION U.	1	EA	
<p>Comments for Part Num. 039866-000</p> <p>bradleysapplianceservice@shaw.ca on Mar 7, 2017                      Caution when order this part. We ordered the 039866-000 HOSE but got the base pan instead. It was labelled with 039866-000 so it might be a mislabelled part.</p>					
64	039873-000	HOSE	1	EA	
65	039722-000	SUMP GASKET	1	EA	
66	039958-000	HOSE CLAMP (Ø 15.88)	2	EA	
67	039957-000	HOSE CLAMP	2	EA	
68	039954-000	Hose Clamp	1	EA	
69	050799-000	HOSE CLAMP	2	EA	
70	039958-000	HOSE CLAMP (Ø 15.88)	1	EA	
71	050799-000	HOSE CLAMP		EA	
72	060003-000	MAIN PLUG HOLDER	1	EA	Not available online / Call for pricing and availability
73	039880-000	SCREW	4	EA	



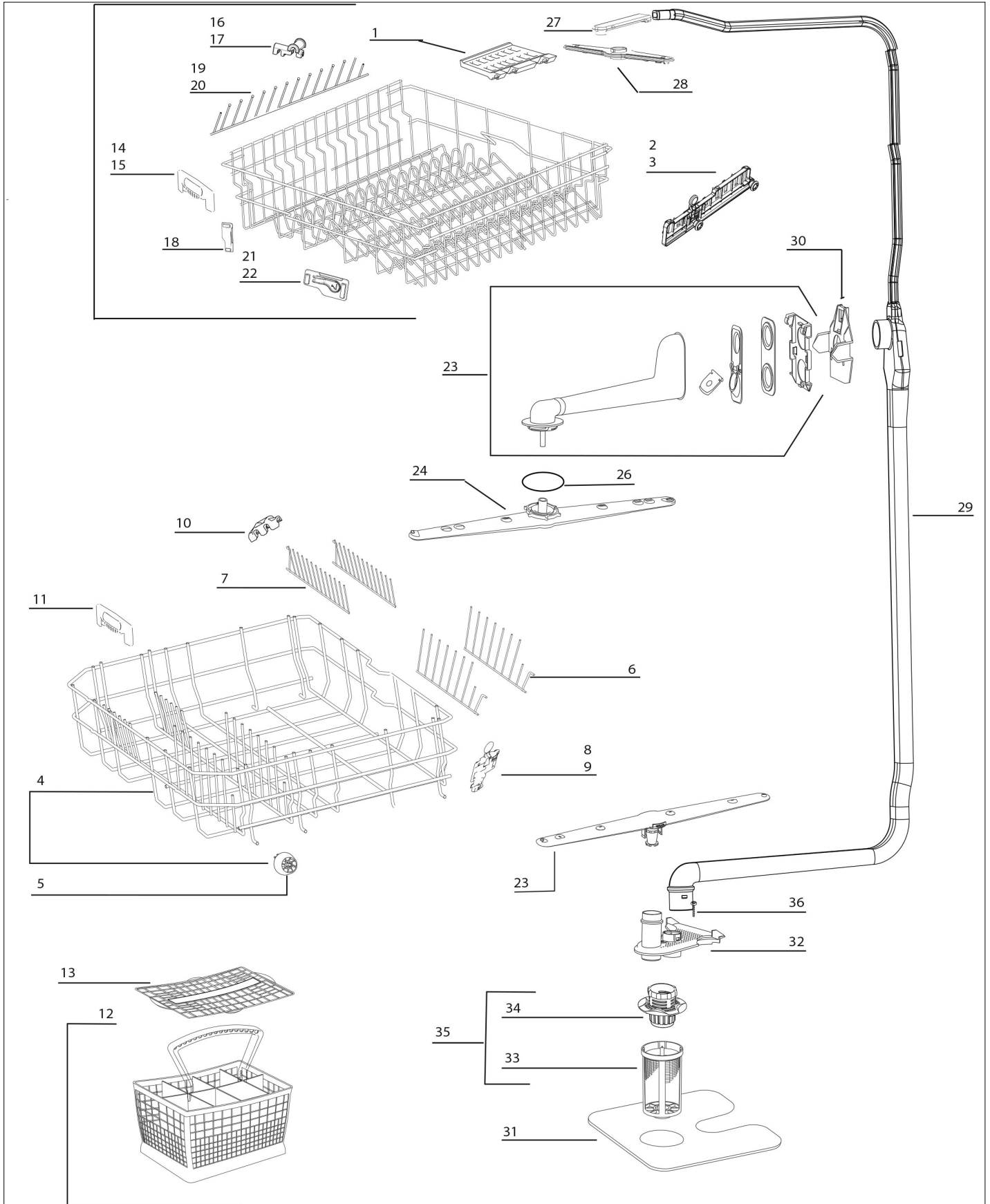
Item	Part No.	Name	Qty	Uom	NOTES
74	039917-000	BOLT M4X8 D3731 D3421	19	EA	
75	039876-000	SCREW	24	EA	
76	039905-000	SCREW CAP SIDE WALLS	2	EA	
77	039915-000	SCREW	1	EA	
78	039883-000	WASHER	2	EA	
79	039902-000	O-RING (FLOW DIVERTER)	2	EA	
80	039904-000	NOISE ISOLATION FOR TUB RAL 7037.	1	EA	
81	057529-000	NOISE ISOLATION	2	EA	
Not Shown	NOTE	SLIDES ON TRIM OF TUB		EA	
82	039760-000	NOISE ISOLATION	2	EA	
Not Shown	NOTE	STICKS ON SIDE OF UNIT		EA	
83	040591-000	Drain Hose Holder	1	EA	
84	039865-000	SALT INDICATOR SWITCH	1	EA	Not available online / Call for pricing and availability
85	057585-000	WATER SOFTENER GROUP	1	EA	
86	057592-000	WATER SOFTENER NUT	1	EA	
87	050807-000	SOFTENER O-RING	1	EA	
88	039753-000	O RING -WATER SOFTENER	2	EA	
89	050806-000	WATER SOFTENER CAP GASKET	1	EA	
90	050805-000	WATER SOFTENER CAP GROUP 2	1	EA	
91	039792-000	COLUMN ASSY	1	EA	
92	039725-000	DRAIN HOSE	1	EA	
<p>Comments for Part Num. 039725-000</p> <p>profixappliances@gmail.com on Dec 12, 2017</p> <p>Per Bradleysapplianceservice: IF LONG EXTERIOR DRAIN HOSE IS REQUIRED - FROM BACK OF DISHWASHER TO DRAIN OUTLET - ORDER PART NUMBER: 039726-000 DRAIN HOSE</p> <p>IF SUMP TO BACK OF UNIT DRAIN HOSE IS REQUIRED - INSIDE OF UNIT - ORDER PART NUMBER: 039725-000 SUMP DRAIN HOSE (16 INCHES LONG)</p>					
93	039952-000	HOSE CLAMP (Ø 28_7)	2	EA	
NI	057530-000	ACCESSORIES	1	EA	



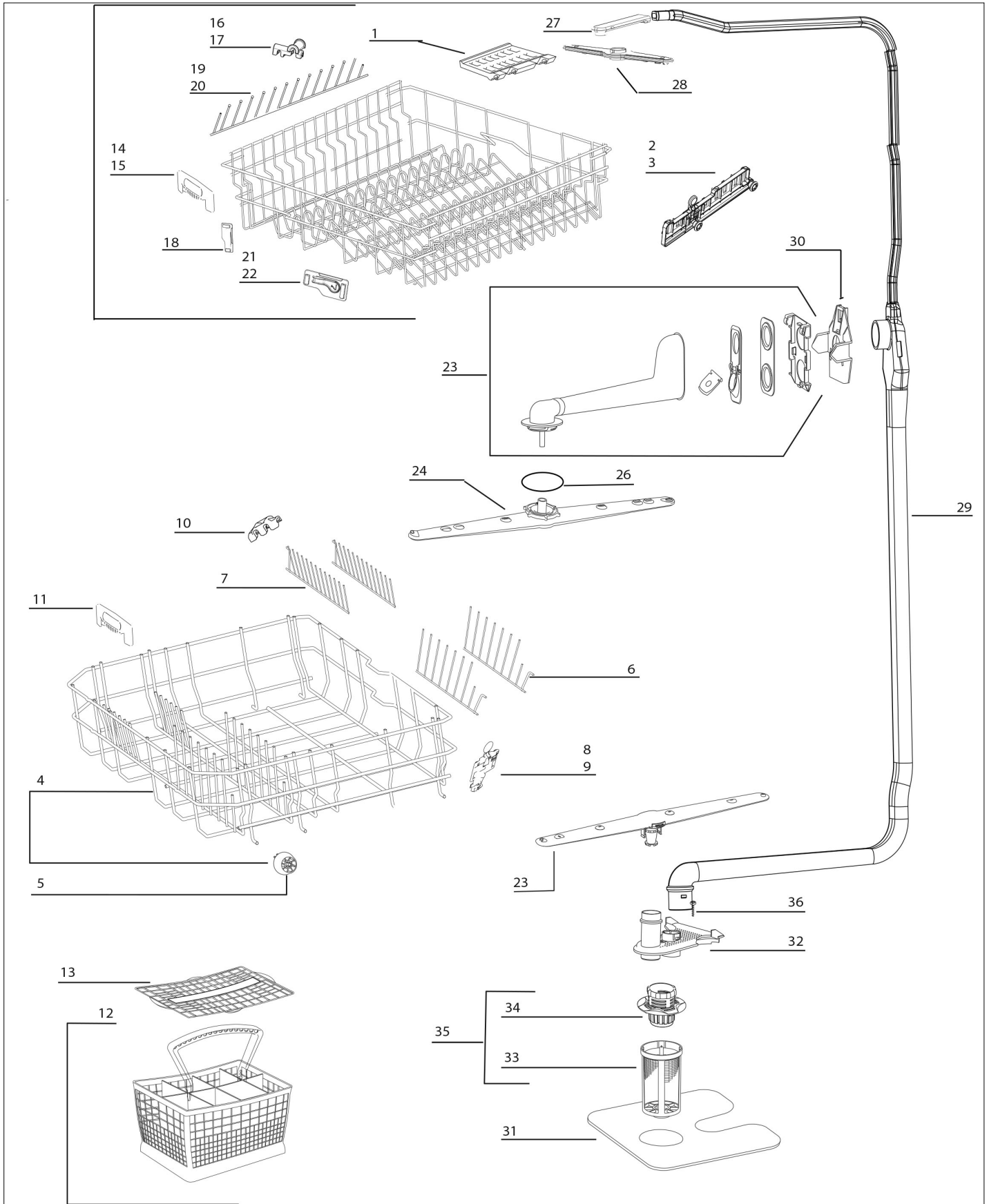


Item	Part No.	Name	Qty	Uom	NOTES
Not Shown	NOTE	INSTALL HARDWARE		EA	
NI	064528-000	LEFT MOUNTING BRACKET	1	EA	
Not Shown	NOTE	TO SECURE UNIT TO CABINET		EA	
NI	064529-000	RIGHT MOUNTING BRACKET	1	EA	
Not Shown	NOTE	TO SECURE UNIT TO CABINET		EA	

RVDW102WS Inner Tub parts



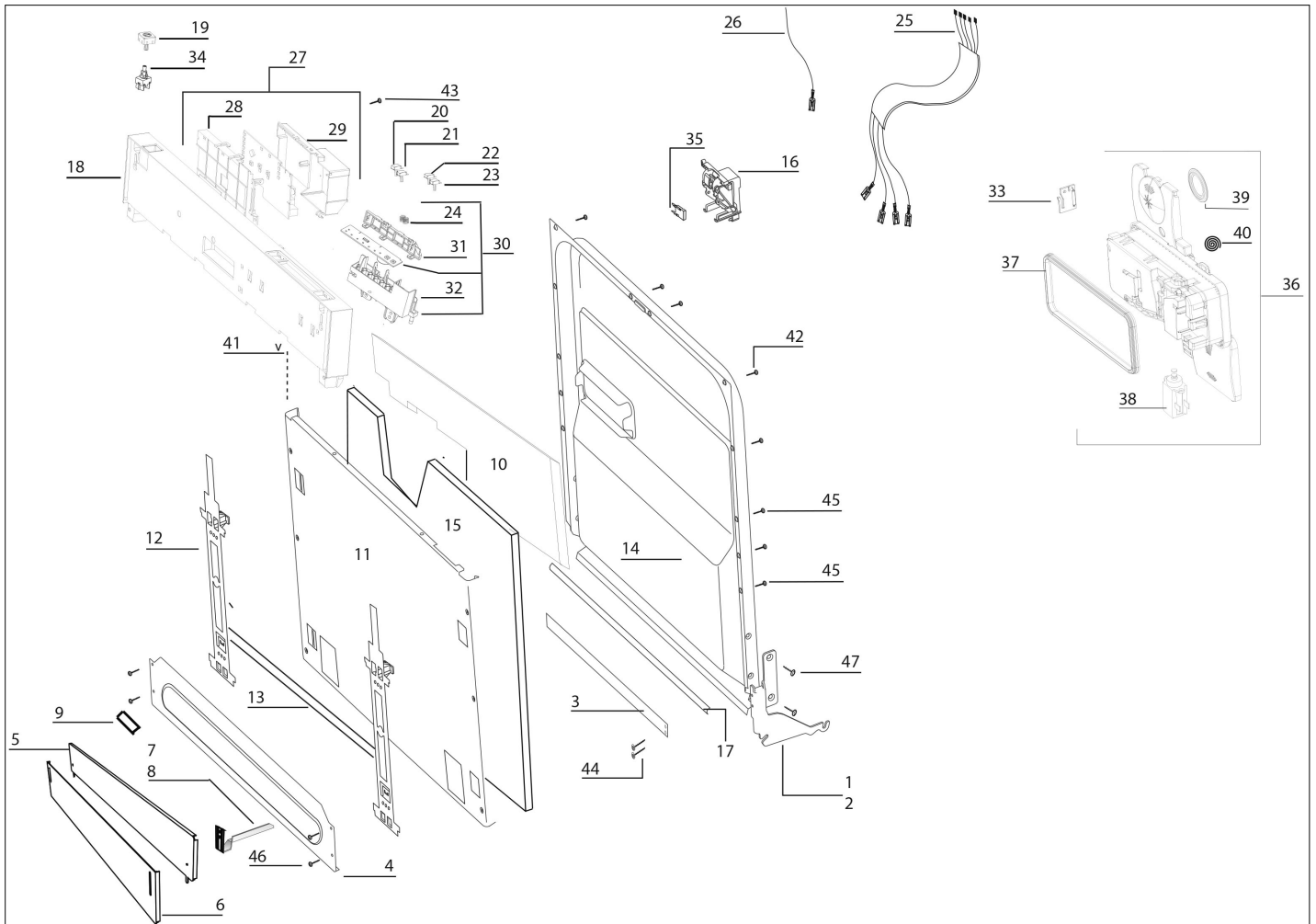
Item	Part No.	Name	Qty	Uom	NOTES
1	039785-000	SHELF GROUP	4	EA	
2	057480-000	UPPER BASKET MECHANISM-LEFT	1	EA	
3	057481-000	UPPER BASKET MECHANISM-RIGHT	1	EA	
4	057490-000	LOWER BASKET GROUP	1	EA	
5	039930-000	LOWER BASKET WHEEL GROUP	8	EA	
6	039788-000	PLATE HOLDER-LEFT	2	EA	
7	039789-000	PLATE HOLDER-RIGHT	2	EA	
8	050885-000	FOLDING PART OF BOTTOM BASKET	1	EA	
9	057489-000	FOLDING PART OF BOTTOM BASKET	1	EA	
10	039855-000	LOWER BASKET CLIPS		EA	
11	050883-000	LOWER BASKET HANDLE	1	EA	
12	057482-000	CUTLERY BASKET GROUP	1	EA	
13	039791-000	CUTLERY BASKET SEPARATOR	2	EA	
14	039846-000	UPPER BASKET HANDLE GR		EA	
15	057486-000	UPPER BASKET HANDLE	1	EA	
16	039861-000	UPPER BASKET CLIPS	11	EA	
17	039783-000	FOLDING PART CLIPS RIGHT	1	EA	
18	039859-000	BOWL FOLDING PART		EA	
19	059870-000	UPPER BASKET SUPPORT WIRE	1	EA	
20	059871-000	UPPER BASKET SUPPORT WIRE	1	EA	
21	057494-000	GRD FOLDING PART	1	EA	
22	039782-000	FOLDING PART		EA	
23	039896-000	LOWER SPRAY ARM GROUP	1	EA	
24	039892-000	UPPER SPRAY ARM GROUP	1	EA	
23	039862-000	UPPER SPRAY ARM FEED PIPE	1	EA	
26	039870-000	GASKET	1	EA	
27	039847-000	CEILING SPRAY ARM FEED PIPE	1	EA	
28	039841-000	CEILING SPRAY GROUP	1	EA	



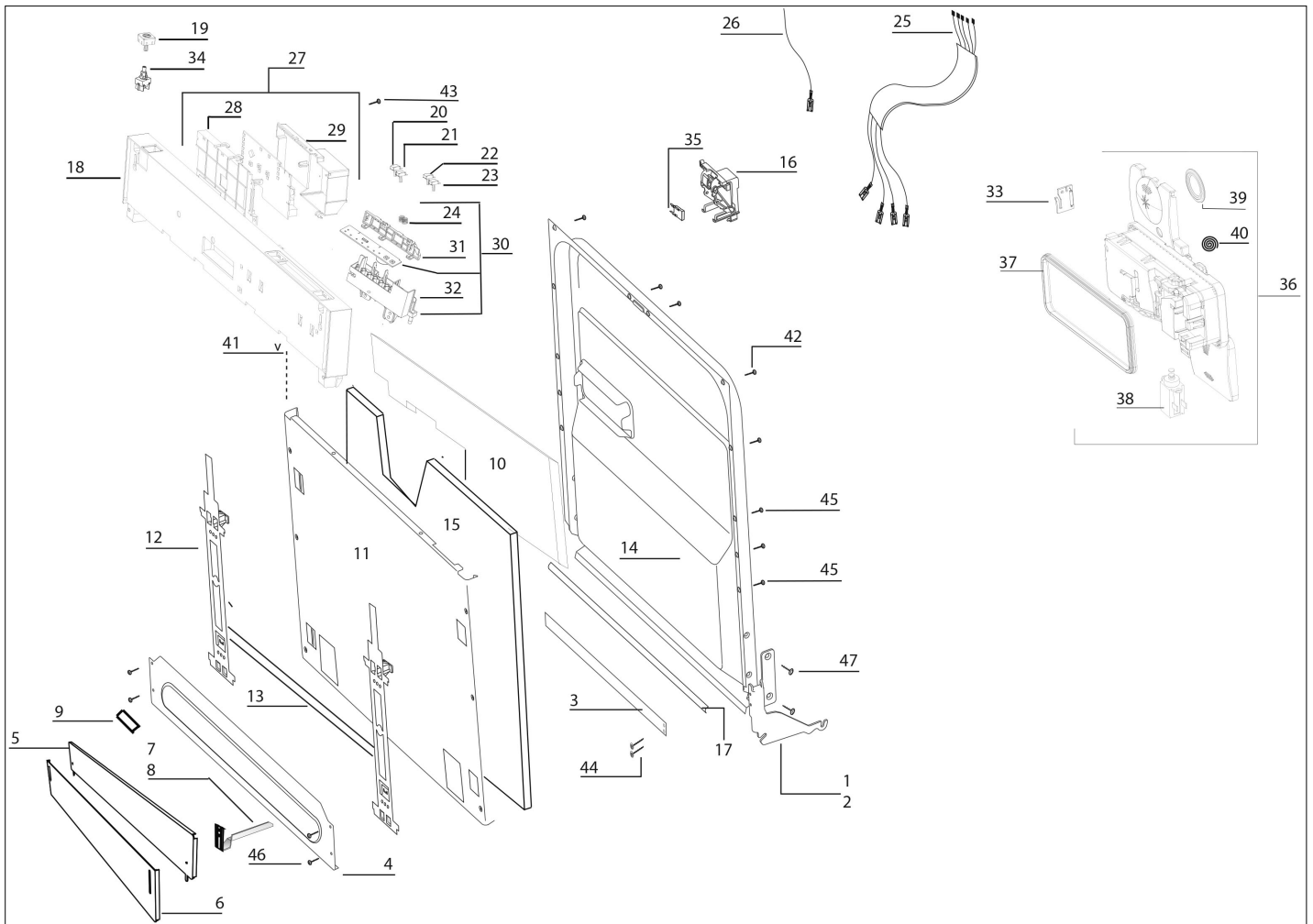


Item	Part No.	Name	Qty	Uom	NOTES
29	039840-000	WATER SUPPLY TUBE GROUP	1	EA	
30	050882-000	UPPER SPRAY ARM GUIDE ADJUSTABLE BASKET	1	EA	
31	039730-000	METAL FILTER GROUP	1	EA	
32	039734-000	FILTER SUPPORT GROUP	1	EA	
33	039728-000	MICRO FILTER GROUP	1	EA	
34	057474-000	COARSE FILTER	1	EA	
35	057475-000	FILTER GROUP	1	EA	
36	039945-000	SCREW	5	EA	

RVDW102WS Door parts

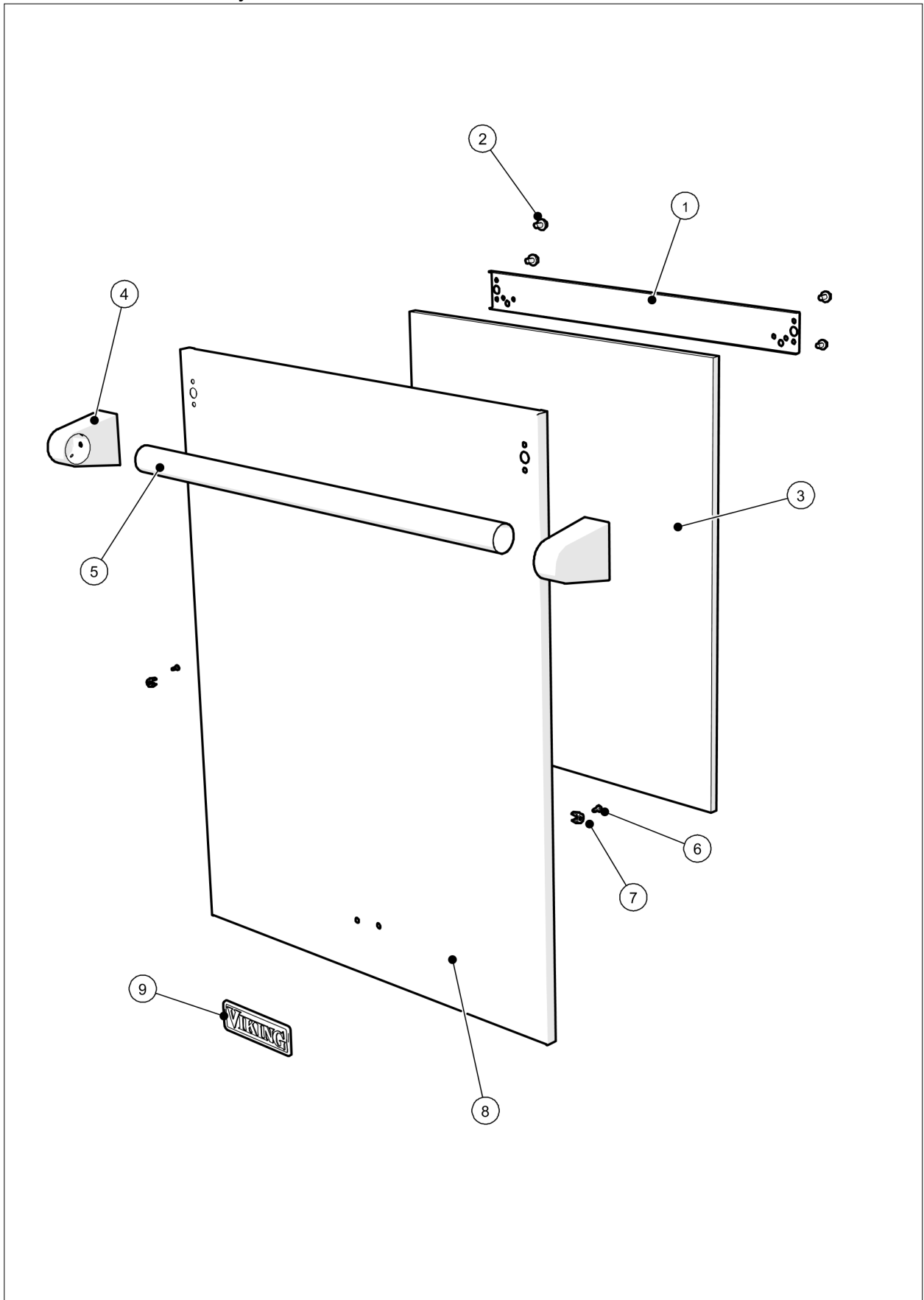


Item	Part No.	Name	Qty	Uom	NOTES
1	039739-000	HINGE ARM RIGHT	1	EA	
2	039738-000	HINGE ARM LEFT	1	EA	
3	039935-000	HINGE ARM SUPPORT	1	EA	
4	039773-000	KICK PLATE SHEET	1	EA	
5	039926-000	KICK PLATE SHEET	1	EA	
6	060210-000	KICK PLATE SHEET	1	EA	
7	039924-000	PLINTH ADJUSTMENT SHEET LEFT	1	EA	
8	039925-000	PLINTH ADJUSTMENT SHEET RIGHT	1	EA	
9	039928-000	KICK PLATE ADJUSTING LOCKET	1	EA	
10	039932-000	DOOR INSULATION	1	EA	
11	059867-000	OUTER DOOR	1	EA	Not available online / Call for pricing and availability
12	039911-000	DECORATIVE DOOR FIXATION SUPPORT	1	EA	
13	039946-000	DECORATIVE DOOR FIXATION SUPPORT		EA	
14	039720-000	INNER DOOR GR	1	EA	
15	039903-000	DOOR INSULATION	1	EA	
16	057515-000	DOOR LOCK GROUP	1	EA	
17	039908-000	DOOR SEALING GASKET	1	EA	
18	039755-000	PANEL GROUP	1	EA	
19	050825-000	ANKASTRE ON OFF TUSU STROKE 2.5MM	1	EA	
20	039852-000	CLAD F5 START STOP BUTTON PRINTED -BLACK	1	EA	
21	039851-000	F5 PRG. SECIM TUSU BASKILI - BLACK	1	EA	
22	050826-000	CLAD F5 HALF LOAD BUTOON PRINTED - BLACK	1	EA	
23	039854-000	CLAD F5 PROGRAM DELAY BUTTON - BLACK	1	EA	
24	039795-000	BUTTON GASKET	2	EA	
25	059872-000	F5 CABLE HARNESS UL	1	EA	
26	057525-000	CABLE HARNESS COMPLETE	1	EA	



Item	Part No.	Name	Qty	Uom	NOTES
27	039837-000	ELECTRONIC CARD GROUP	1	EA	
28	059873-000	CARD HOLDER-FRONT	1	EA	Not available online / Call for pricing and availability
29	059874-000	CARD HOLDER-BACK	1	EA	Not available online / Call for pricing and availability
30	050827-000	DISPLAY CARD GROUP	1	EA	
31	059875-000	DISPLAY CARD HOLDER-BACK	1	EA	Not available online / Call for pricing and availability
32	059876-000	DISPLAY CARD HOLDER-FRONT	1	EA	Not available online / Call for pricing and availability
33	050831-000	RINSE AID GLASS	1	EA	
34	050824-000	rol on off switch	1	EA	
35	059878-000	NEW DOOR SWITCH	1	EA	
36	039715-000	DETERGENT DISPENSER GROUP	1	EA	
37	039714-000	DTERGENT DISPENSER GASKET	1	EA	
38	039882-000	THERMOACTUATOR D3731 D3421	1	EA	
39	039713-000	RINSE AID GASKET	1	EA	
40	040590-000	COVER SPRING	1	EA	
41	039871-000	HOSE	1	EA	
42	039914-000	SCREW	4	EA	
43	039879-000	SCREW	4	EA	
44	039917-000	BOLT M4X8 D3731 D3421	19	EA	
45	039916-000	SCREW	6	EA	
46	039876-000	SCREW	24	EA	
47	039877-000	SCREW	4	EA	
NI	057473-000	PROGRAM END SIGNAL MODULE	1	EA	
Not Shown	NOTE	(INDICATOR LIGHT)		EA	

RVDP324SS Outer Door Assy





Item	Part No.	Name	Qty	Uom	NOTES
1	034986-000	BRACE, DOOR SKIN, HORIZONTAL	1	EA	
2	PD010019	BLT-1/4-20X3/8"HEX WASHER SERATED	4	EA	
3	036741-000	ABSORBER, SOUND, DOOR SKIN	1	EA	
4	026965-000	END CAP, ASM, DOOR HANDLE	2	EA	
5	034825-000	HANDLE, DW	1	EA	
6	PD020249	SCREW, #8-18 X 3/8, TYPE B, TORX, PAN HEAD, ZINC, BLUNT	2	EA	
7	PD030178	CLIP, DOOR SKIN LOCATOR	2	EA	
8	043241-000	SKIN, DOOR, OTR, SS	1	EA	
8	043244-002	SKIN, DOOR, OTR, BLACK	1	EA	
8	043244-006	SKIN, DOOR, OTR, WHITE	1	EA	
9	041992-000	NAMEPLATE, VIKING, 4.500"	1	EA	
NI	023879-000	TRUSS, AB, TORX, #8-18 X 1.75, SS, PASSIVATED	4	EA	
NI	039971-000	FASTENER, SCR, #8-18, SS, FLAT, 1-1/2, AB	4	EA	



Appendix A:Pages Index

RVDP324SS Outer Door Assy ..... 4  
RVDW102WS Chassis parts ..... 1  
RVDW102WS Door parts ..... 3  
RVDW102WS Inner Tub parts ..... 2



Appendix B:Parts Index

023879-000	4	039775-000	1
026965-000	4	039777-000	1
034825-000	4	039782-000	2
034986-000	4	039783-000	2
036741-000	4	039785-000	2
039713-000	3	039788-000	2
039714-000	3	039789-000	2
039715-000	3	039791-000	2
039716-000	1	039792-000	1
039717-000	1	039793-000	1
039720-000	3	039795-000	3
039722-000	1	039837-000	3
039723-000	1	039840-000	2
039724-000	1	039841-000	2
039725-000	1	039846-000	2
039726-000	1	039847-000	2
039727-000	1	039851-000	3
039728-000	2	039852-000	3
039730-000	2	039854-000	3
039731-000	1	039855-000	2
039732-000	1	039859-000	2
039734-000	2	039861-000	2
039735-000	1	039862-000	2
039738-000	3	039863-000	1
039739-000	3	039865-000	1
039753-000	1	039866-000	1
039755-000	3	039867-000	1
039756-000	1	039868-000	1
039757-000	1	039870-000	2
039758-000	1	039871-000	3
039759-000	1	039872-000	1
039760-000	1	039873-000	1
039761-000	1	039876-000	1, 3
039763-000	1	039877-000	3
039766-000	1	039879-000	3
039767-000	1	039880-000	1
039768-000	1	039882-000	3
039769-000	1	039883-000	1
039773-000	1, 3	039885-000	1
039774-000	1	039886-000	1
		039887-000	1



039889-000	1	039954-000	1
039890-000	1	039957-000	1
039892-000	2	039958-000	1, 1
039894-000	1	039971-000	4
039896-000	2	040590-000	3
039897-000	1	040591-000	1
039900-000	1	040592-000	1
039901-000	1	041992-000	4
039902-000	1	043241-000	4
039903-000	3	043244-002	4
039904-000	1	043244-006	4
039905-000	1	050778-000	1
039908-000	3	050779-000	1
039910-000	1	050782-000	1
039911-000	3	050799-000	1, 1
039913-000	1	050805-000	1
039914-000	3	050806-000	1
039915-000	1	050807-000	1
039916-000	3	050824-000	3
039917-000	1, 3	050825-000	3
039918-000	1	050826-000	3
039921-000	1	050827-000	3
039922-000	1	050831-000	3
039923-000	1	050882-000	2
039924-000	3	050883-000	2
039925-000	3	050885-000	2
039926-000	3	050887-000	1
039928-000	3	057473-000	3
039930-000	2	057474-000	2
039932-000	3	057475-000	2
039933-000	1	057480-000	2
039934-000	1	057481-000	2
039935-000	3	057482-000	2
039941-000	1	057486-000	2
039942-000	1	057489-000	2
039943-000	1	057490-000	2
039945-000	2	057494-000	2
039946-000	3	057495-000	1
039949-000	1	057515-000	3
039950-000	1	057516-000	1
039952-000	1	057517-000	1



057525-000	3
057529-000	1
057530-000	1
057585-000	1
057592-000	1
059866-000	1
059867-000	3
059869-000	1
059870-000	2
059871-000	2
059872-000	3
059873-000	3
059874-000	3
059875-000	3
059876-000	3
059878-000	3
060003-000	1
060004-000	1
060210-000	3
061486-000	1
064528-000	1
064529-000	1
PD010019	4
PD020249	4
PD030178	4