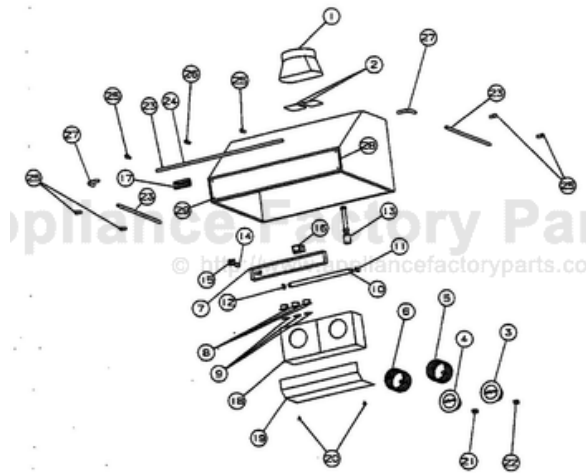


This Owner's Manual is provided and hosted by [Appliance Factory Parts](#).



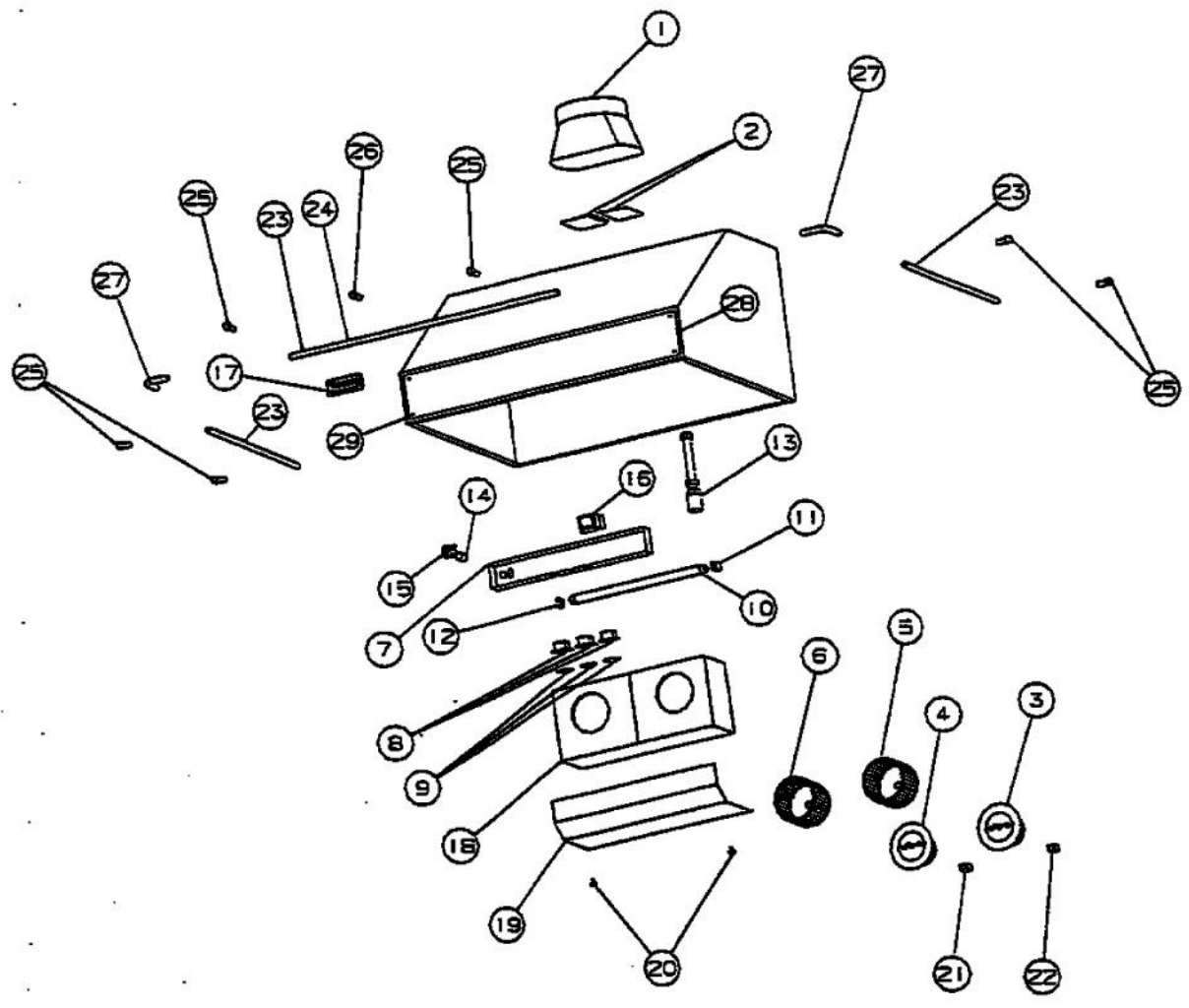
VIKING VRHW3019 Owner's Manual

[Shop genuine replacement parts for VIKING VRHW3019](#)



[Find Your VIKING Range Hoods Parts - Select From 411 Models](#)

----- Manual continues below -----



Ref #	Part Number	Qty.	Description
1	PV110001		DUCT TRANSITION (VRHW/VRH)
2	PV110015		BACK DRAFT DAMPER (VRHW/VRH)
3	PV110003		BLOWER MOTOR-R.H.(WHITE) P1301-1
4	PV110004		BLOWER MOTOR - LH (RED) P-1302
5	PV110005		BLOWER WHEEL- LH (WHITE)
6	PV110006		BLOWER WHEEL- LH (RED)
7	PV110007		LIGHT ASSEMBLY (COMPLETE) P-1016
8	PV120001		SLIDE SWITCH
9	PV100001		GLAMOUR CAPS (FOR SLIDE SWITCH)
10	PV110008		FLUORESCENT LAMP
11	PV100023		FLUORESCENT LAMP SOCKET-R.H.
12	PV100024		FLUORESCENT LAMP SOCKET-L.H.
13	PV100002		HEAT LAMP SOCKET (OPTIONAL)
14	PV120002		STARTER
15	PV100003		STARTER SOCKET
16	PV120003		BALLAST (SP2)
17	PE010020		LOGO - PROFESSIONAL - VRTR, XBKX ASSY
	PE010019		LOGO - PROFESSIONAL - VRTR, XWHX
	PE010056		2 LOGO/VIKING PROF XBKXXBRX
	PE010055		2 LOGO/VIKING PROF XWHXXBRX
18	PV110009AL		BLOWER HOUSING (FRONT) XALMONDX
	PV110009BK		BLOWER HOUSING (FRONT) XBLACKX
	PV110009BU		BLOWER HOUSING (FRONT) XBURGUNDYX
	PV110009FG		BLOWER HOUSING (FRONT) XFRST.GRN.X
	PV110009PL		BLOWER HOUSING (FRONT) XPLUMX
	PV110009SS		BLOWER HOUSING (FRONT) XSTAIN.STEELX P-1028
	PV110009VB		BLOWER HOUSING (FRONT) XVIK.BLUEX
	PV110009WH		BLOWER HOUSING (FRONT) XWHITEX
19	PV110010AL		GREASE SHIELD XALMONDX
	PV110010BK		GREASE SHIELD XBLACKX
	PV110010BU		GREASE SHIELD XBURGUNDYX
	PV110010FG		GREASE SHIELD XFOREST GREENX
	PV110010PL		GREASE SHIELD XPLUMX
	PV110010SS		GREASE SHIELD XSTAINLESS STEELX P-1026
	PV110010VB		GREASE SHIELD XVIKING BLUEX
	PV110010WH		GREASE SHIELD XWHITEX
20	PV100004		SCREW (BRASS)
21	PV100005		MOTOR PLUG SOCKET (6)-L.H.
22	PV100006		MOTOR PLUG SOCKET (12)-R.H.
23	PV100007SS		SUB TO PE030066 - SS 4 ACCESSORY RAIL
	PV100007BR		SUB TO PE030067 - BR 4 ACCESSORY RAIL
24	PV100008SS		SUB TO PE030068 - SS 6 ACCESSORY RAIL
	PV100008BR		SUB TO PE030069 - BR 6 ACCESSORY RAIL
25	PV100009SS		SUB PE030054 END CAP (SS)
	PV100009BR		SUB TO PE030053 - END CAP (BRASS)
26	PE030052		SUPPORT TUBE, HOLE THROUGH
	PE030055		END CAP - BR
27	PE030056		90 DEG.ELBOWSS REPL PV100011SS
	PE030057		90 DEG.ELBOW BR REPL PV100011BR
NI	PE030076		CHROME S HOOKS REPL PV100012SS
	PE030057		90 DEG.ELBOW BR REPL PV100011BR
28	PV100020SS		FRONT TRIM (30) STAINLESS
	PV100020BR		FRONT TRIM (30) BRASS
29	PV100022SS		POP RIVET (FOR FRONT TRIM) STAINLES
	PV100022BR		POP RIVET (FOR FRONT TRIM) BRASS