

This Owner's Manual is provided and hosted by [Appliance Factory Parts](#).



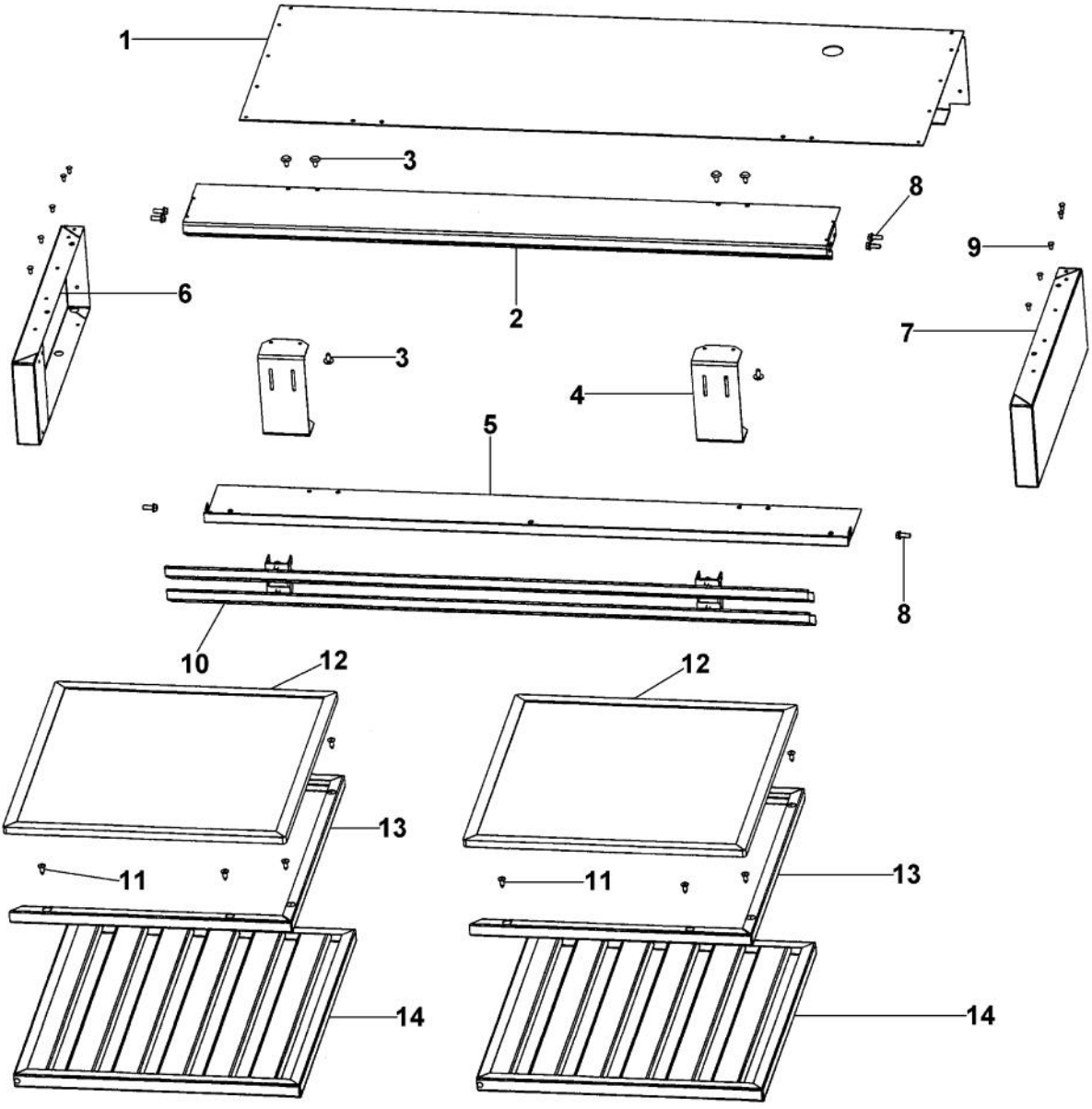
VIKING VRK24 Owner's Manual

[Shop genuine replacement parts for VIKING VRK24](#)



[Find Your VIKING Range Hoods Parts - Select From 411 Models](#)

----- Manual continues below -----



Ref #	Part Number	Qty.	Description
1	A20013407		TOP/REAR (VRK24)
2	B20013406		TOP LOUVER (VRK24)
3	PD020032		SRW-8(A)X3/8PH.WFR HD 7/16DIAXNICL
4	A20010225		MIDDLE LOUVER MOUNT BRKT
5	B20013404		BOTTOM LOUVER (VRK24)
6	B20010224		LH SIDE (VRK30/36)
7	B20010223		RH SIDE (VRK30/36)
8	M0220417		SCREW-TC
9	PC040010		POP RIVET
10	G30013408		MIDDLE LOUVER ASSEMBLY (VRK24)
11	PD020100		NO.8 X 7/16 PHILLIP HD KNIFE SCREW
12	CFV11		CHARCOAL FILTER ASSEMBLY
13	B20013441		FILTER CHANNEL VRK24
14	N/A		HEAT SHIELD - MUST ORDER ITEM NO. 11 (PART OF HOOD AND NOT VRK)



Ref #	Part Number	Qty.	Description
-------	-------------	------	-------------
