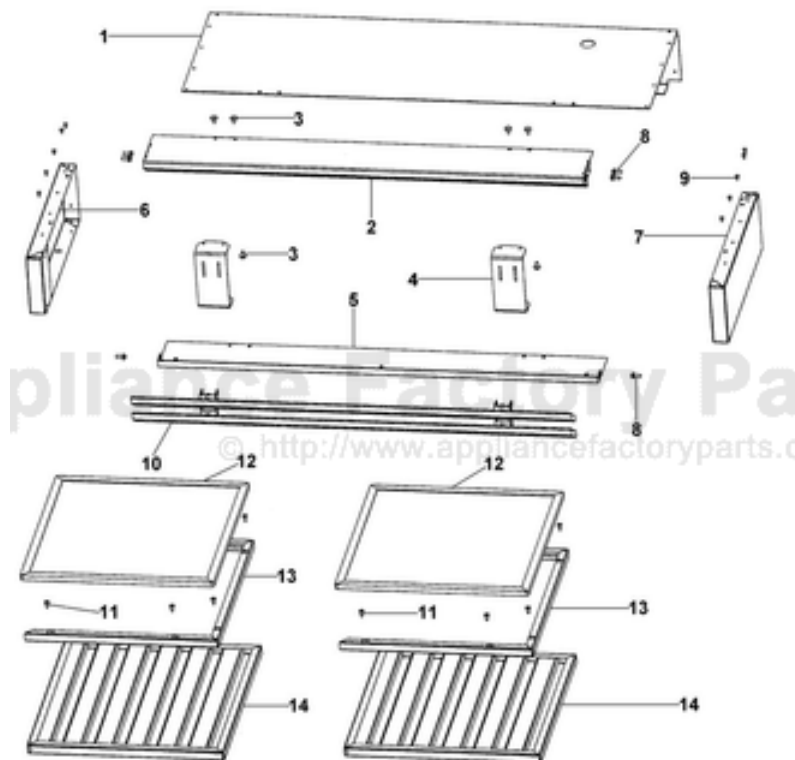


This Owner's Manual is provided and hosted by [Appliance Factory Parts](http://www.appliancefactoryparts.com).



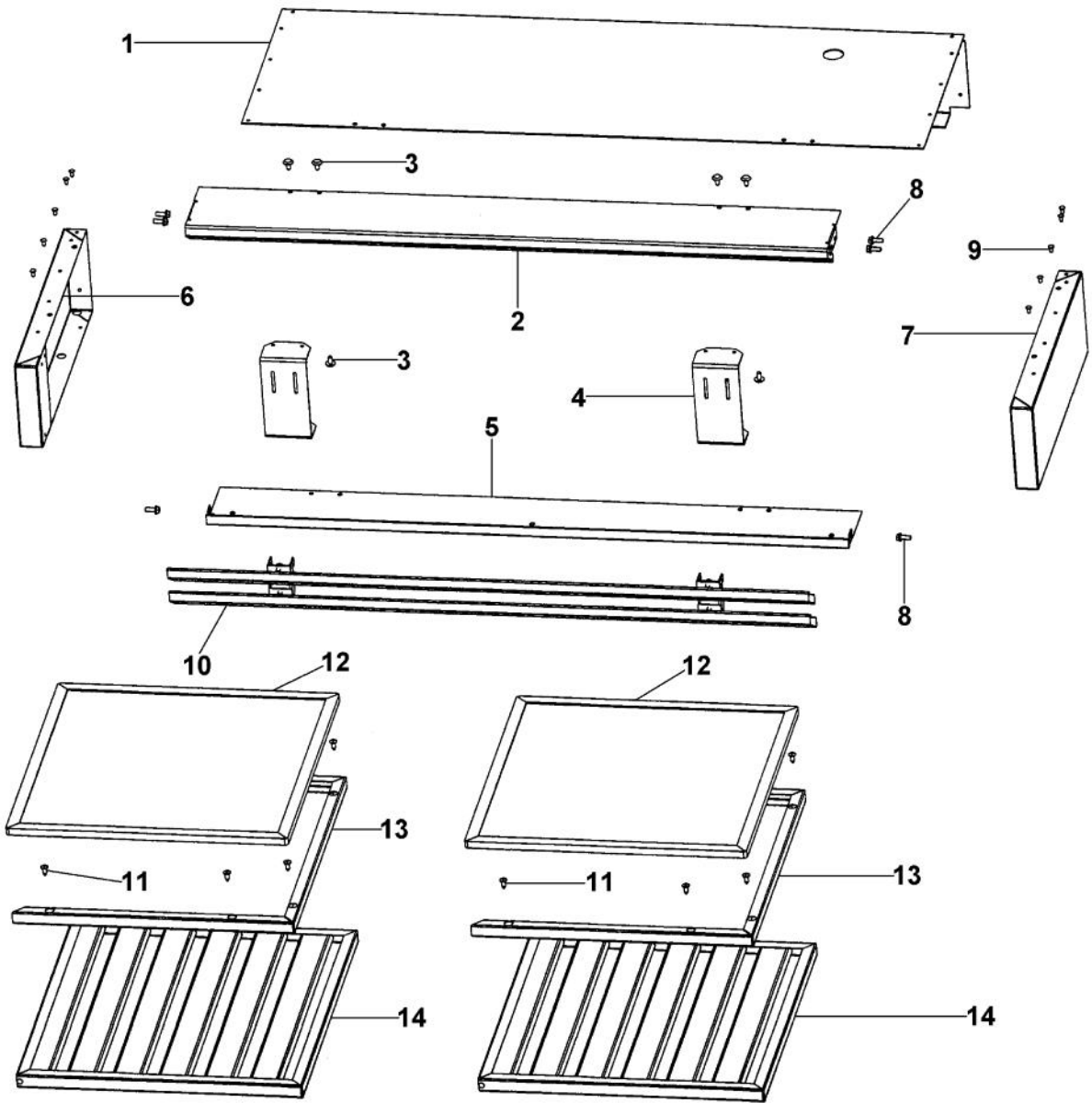
# VIKING VRK30 Owner's Manual

[Shop genuine replacement parts for VIKING VRK30](#)



[Find Your VIKING Range Hoods Parts - Select From 411 Models](#)

----- Manual continues below -----



Ref #	Part Number	Qty.	Description
1	A20010230		TOP/REAR (VRK30)
2	B20010229		TOP LOUVER (VRK30)
3	PD020032		SRW-8(A)X3/8PH.WFR HD 7/16DIAXNICL
4	A20010225		MIDDLE LOUVER MOUNT BRKT
5	B20010227		BOTTOM LOUVER (VRK30)
6	B20010224		LH SIDE (VRK30/36)
7	B20010223		RH SIDE (VRK30/36)
8	M0220417		SCREW-TC
9	PC040010		POP RIVET
10	G30010256		MIDDLE LOUVER ASSEMBLY (VRK30)
11	PD020100		NO.8 X 7/16 PHILLIP HD KNIFE SCREW
12	CFV13		REPLACEMENT CHARCOAL FILTERS (VRK30/36)
13	011632-000		UPPER CHARCOAL FILTER CHANNEL
	011633-000		LOWER CHARCOAL FILTER CHANNEL
14	N/A		BAFFLE FILTER ASSEMBLY (PART OF HOOD AND NOT VRK)