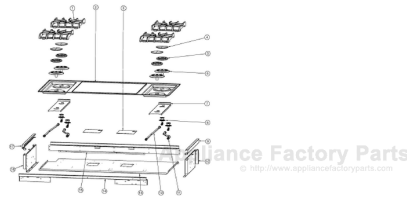


This Owner's Manual is provided and hosted by [Appliance Factory Parts](#).



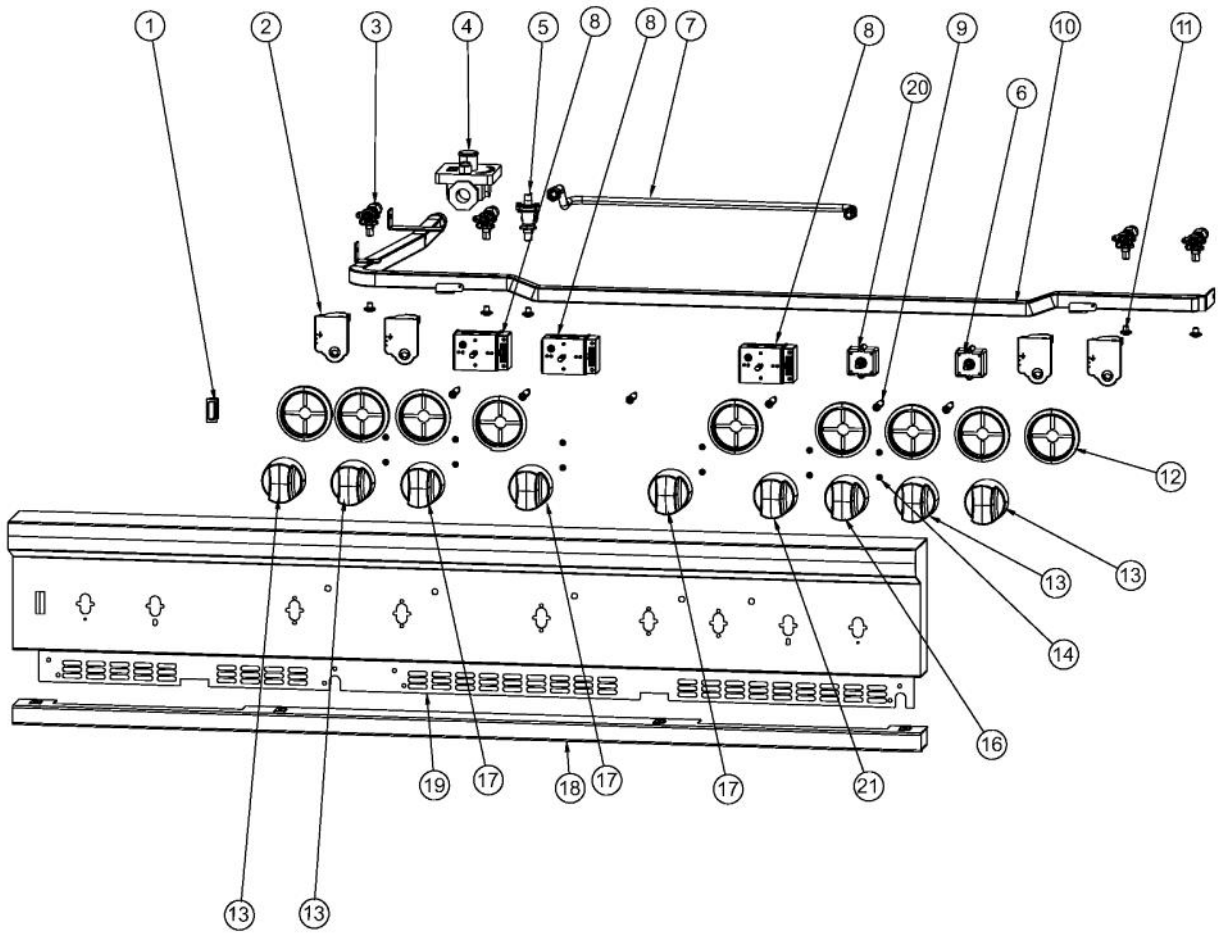
VIKING VGSC548-4G Owner's Manual

**Shop genuine replacement parts for VIKING
VGSC548-4G**

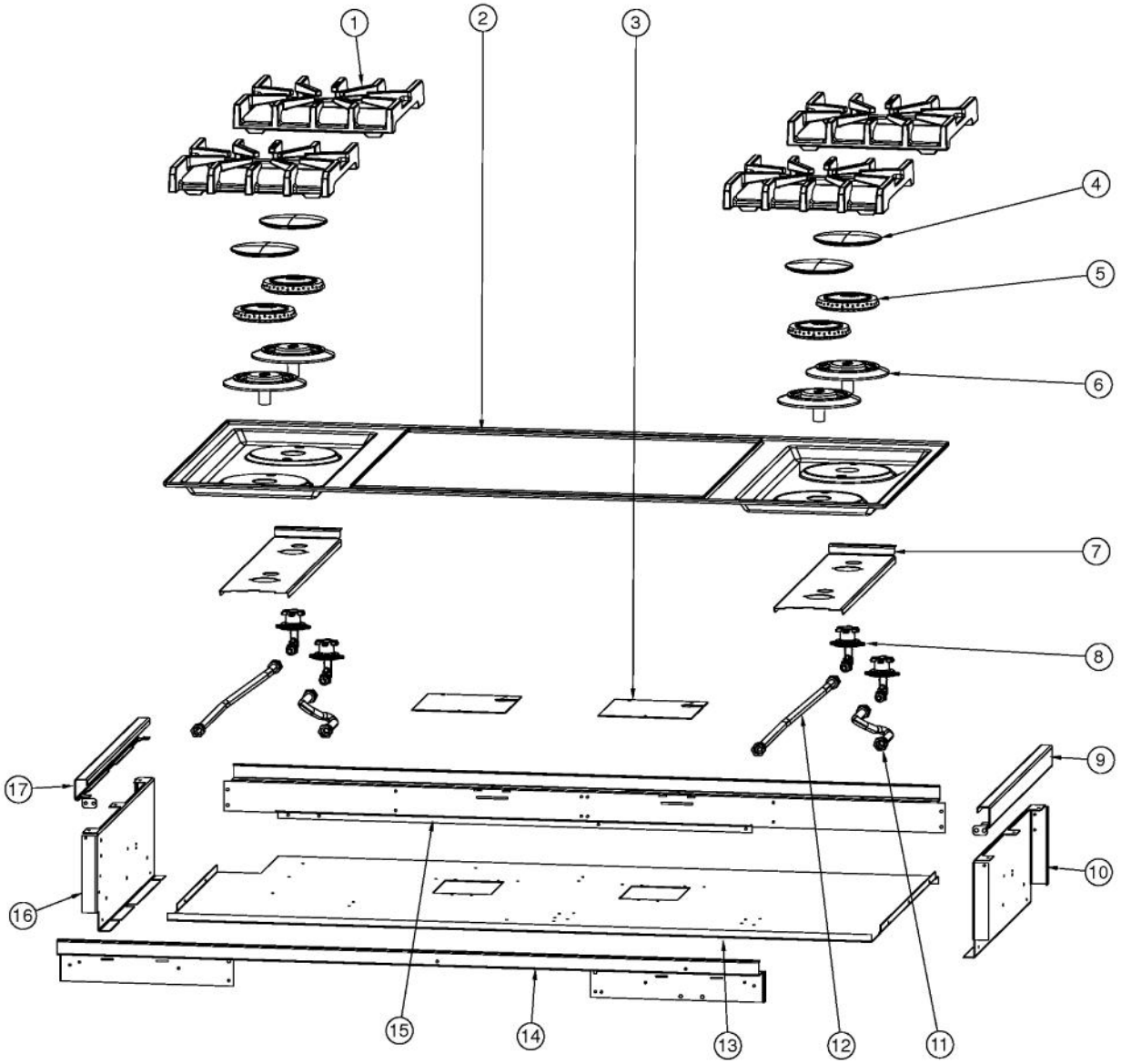


[Find Your VIKING Range Hoods Parts - Select From 411 Models](#)

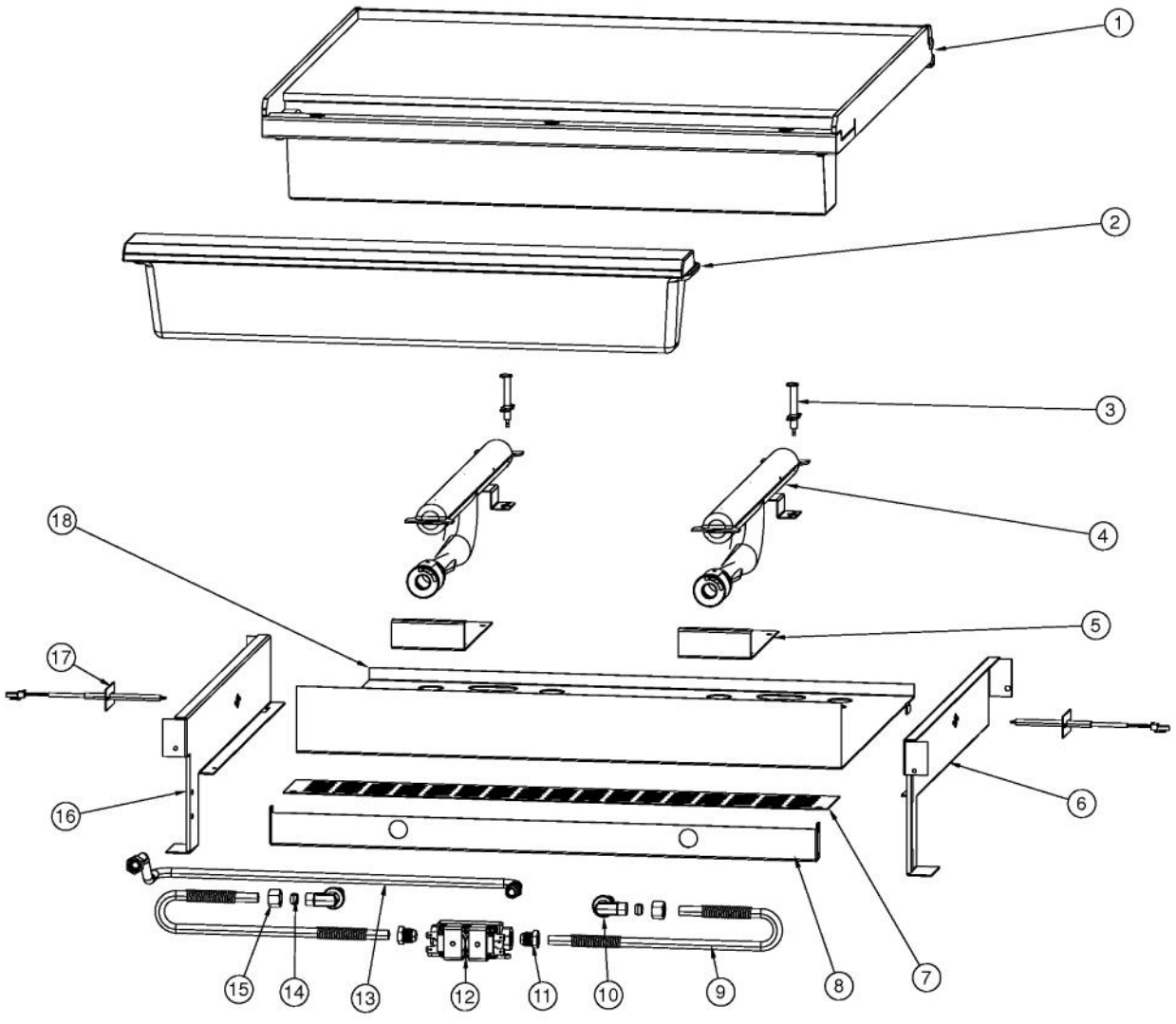
----- Manual continues below -----



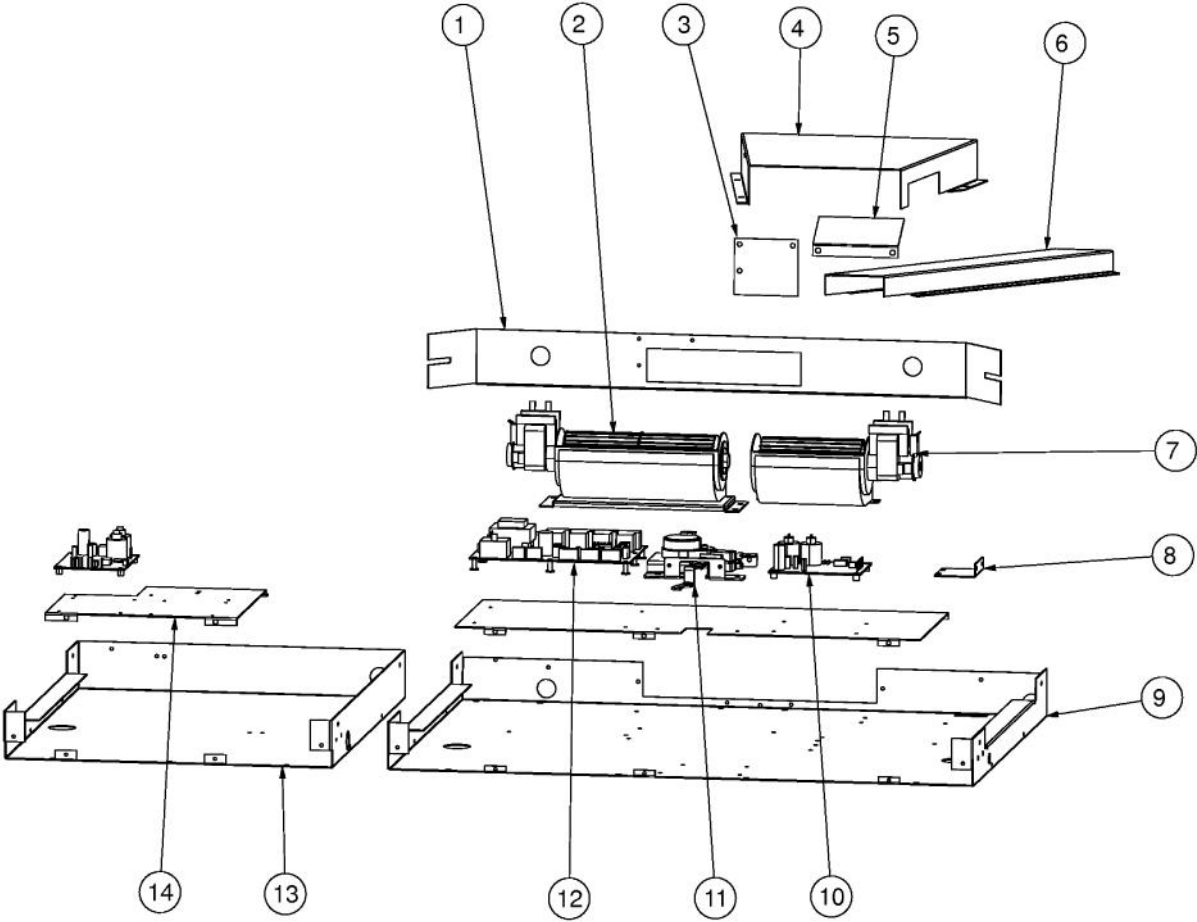
Ref #	Part Number	Qty.	Description
1	003719-000	1	OVEN LIGHT SWITCH, BLACK
2	PA020058	4	IRIS SINGLE SPARK MODULE
3	006015-000	4	VALVE, BRS, SEALED TOP - ISPHORDING
4	PA070003	1	PRESSURE REGULATOR (NAT.)
4	013386-000	1	LP PRESSURE REGULATOR
5	PB030007	1	SHUT OFF VALVE
6	PJ030035	1	THERMOSTAT
7	026037-000	1	TUBING, GRIDDLE VALVE
8	026469-000	3	THERMOSTAT, 2-POS, 91 SHAFT
9	PE050023	6	OVEN IND. LIGHT (LENS & BEZEL)
10	025909-000	1	MANIFOLD ASM, VGCC/VGSC548-4G
10	025909-OLP	1	MANIFOLD ASM, VGCC/VGSC548-4G (LP)
11	PD010012	5	VALVE BOLT 1/4-20 UNC-2B 5/16 M.S.
12	PB010304	10	KNOB BEZEL
12	PB010304PVD	8	RESTYLE KNOB BEZEL, BR
13	005269-000	4	RANGE TOP BURNER KNOB-BRUSHED, SSS BEFORE 12/20/12
13	035881-000	4	KNOB, BNR, TOP PRO CR3 AFTER (12/20/12)
14	PD010028	11	BOLT M 4X5
15	005271-000	2	RANGE SELECTOR KNOB-BRUSHED, SSS
16	008416-000	2	KNOB, THERMOSTAT, NO.3 SSS, ASM, VGCC
17	006570-000	3	KNOB, GRDL/(LH OVEN), ASM, PVD, NO.3, SSS BEFORE 12/20/12
17	035883-000	3	KNOB,GRDL,PRO CR3 AFTER (12/20/12)
18	011717-000	1	TRIM ASM
19	025948-2303	1	CNTRL PANEL ASM, VGSC548-4G W/GRAPHICS
20	PJ030034	1	SELECTOR (6 POS)
21	008415-000	1	KNOB, SEL, NO.3 SSS, ASM, VGSC BEFORE 12/20/12
21	035887-000	1	KNOB,OVN,SEL, PRO VGSC CR3 AFTER (12/20/12)
NI	013296-000	1	TUBING, MAIN, 48 OVEN ASM (LP)
NI	013297-000	1	TUBING, 18 OVEN ASM (LP)



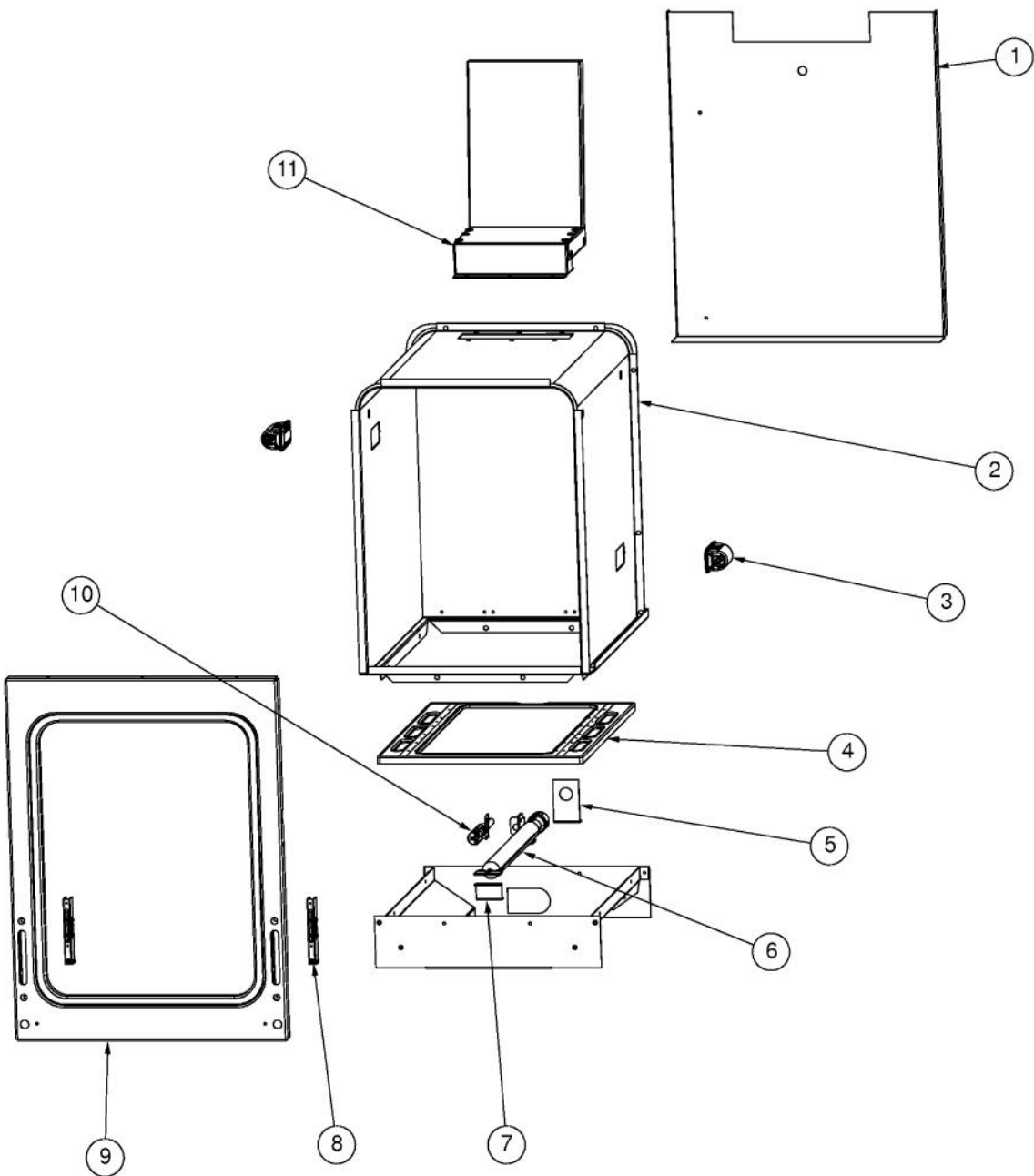
Ref #	Part Number	Qty.	Description
1	007323-000	4	BURNER GRATE
2	E2109804BK	1	MAIN TOP (VDSC4G/4Q)
3	008904-000	2	BURNER BOX, DSI COVER
4	PA080083	4	D BURNER CAP XMATTE BLACKX
5	006706-000	4	B6 REV SEALED BURNER
6	003322-041	4	SEALED BURNER BASE, PAINTED FINISH
7	002923-000	2	BURNER MODULE SUPPORT
8	001394-042	4	15000 BTU NAT JETHOLDER
8	001394-046	4	12.5 K BTU LP JETHOLDER
9	002920-000	1	SIDE TRIM, RH - STAINLESS
10	002755-000	1	BURNER BOX SIDE, RH
11	PB020192	2	10 FLEX TUBING W/CONNECTORS
12	PB020193	2	16 FLEX TUBING W/CONNECTORS
13	008450-000	1	PANEL, CTR
14	025758-000	1	SUPPORT, FRONT
NI	051436-000	1	VGSC548-4G TROUGH KIT (FOR UNITS MANUFACTURED PRIOR TO SERIAL NO. 06111...
15	008609-000	1	SUPPORT, BACK
16	003481-000	1	BURNER BOX SIDE, LH
17	003649-000	1	SIDE TRIM, LH - STAINLESS
NI	001396-000	4	NATURAL GAS ORIFICE
NI	005990-000	4	1.10 MM LP BTU ORIFICE



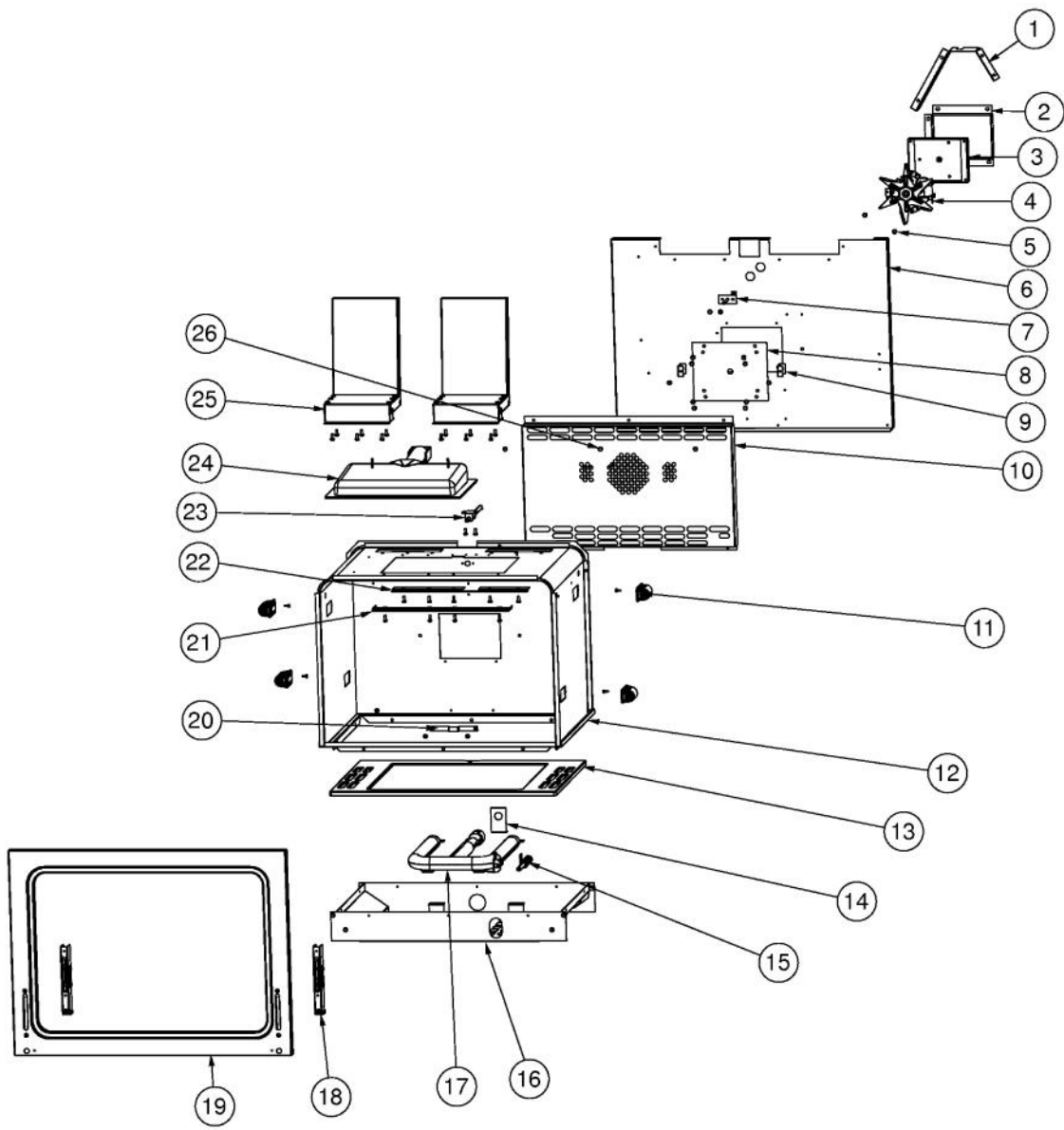
Ref #	Part Number	Qty.	Description
1	040248-000	1	24 GRIDDLE, ASM
2	025750-000	1	TROUGH, GRIDDLE, ASM, 24
3	PA020028	2	SPARK IGNITER
4	013888-000	2	GRIDDLE, BURNER, ASM, NAT, W/IGNITOR BRACKET
4	013889-000	2	GRIDDLE, BURNER, ASM, LP, W/IGNITOR BRACKET
5	006785-000	2	GRIDDLE, BOX, VENTURI, COVER
6	016295-000	1	SIDE, GRILL BOX, RH
7	027489-000	1	SHIELD, WIRE
8	026113-000	1	GRIDDLE ORIFICE BRKT
9	PB020126	2	3/8` S.S. FLEX TUBING 15`` (DGPU)
10	PB040190	2	90 DEGREE ORIFICE FITTING NO.50 NAT
10	002513-000	2	90 DEGREE ORIFICE FITTING NO.57 LP
11	PB040050	2	3/8CC MALE COMP. FITTING W/FERRULE
12	009112-000	1	VALVE, SOL, DOUBLE
13	026037-000	1	TUBING, GRIDDLE VALVE
14	PB040049	2	3/8 XBRX FERRULE (FOR 3/8CC FEMALE
15	PB040051	2	3/8CC FEMALE COMP. FITTING
16	016293-000	1	GRIDDLE SUPPORT, LEFT
17	PE050206	2	RTD THERMOSTAT PROBE
18	026114-000	1	GRIDDLE, BOX, BTM, 24
NI	PB040034	2	ORIFICE HOOD-NO.50 (NAT)
NI	PB040036	2	ORIFICE HOOD-NO.57 (LP)



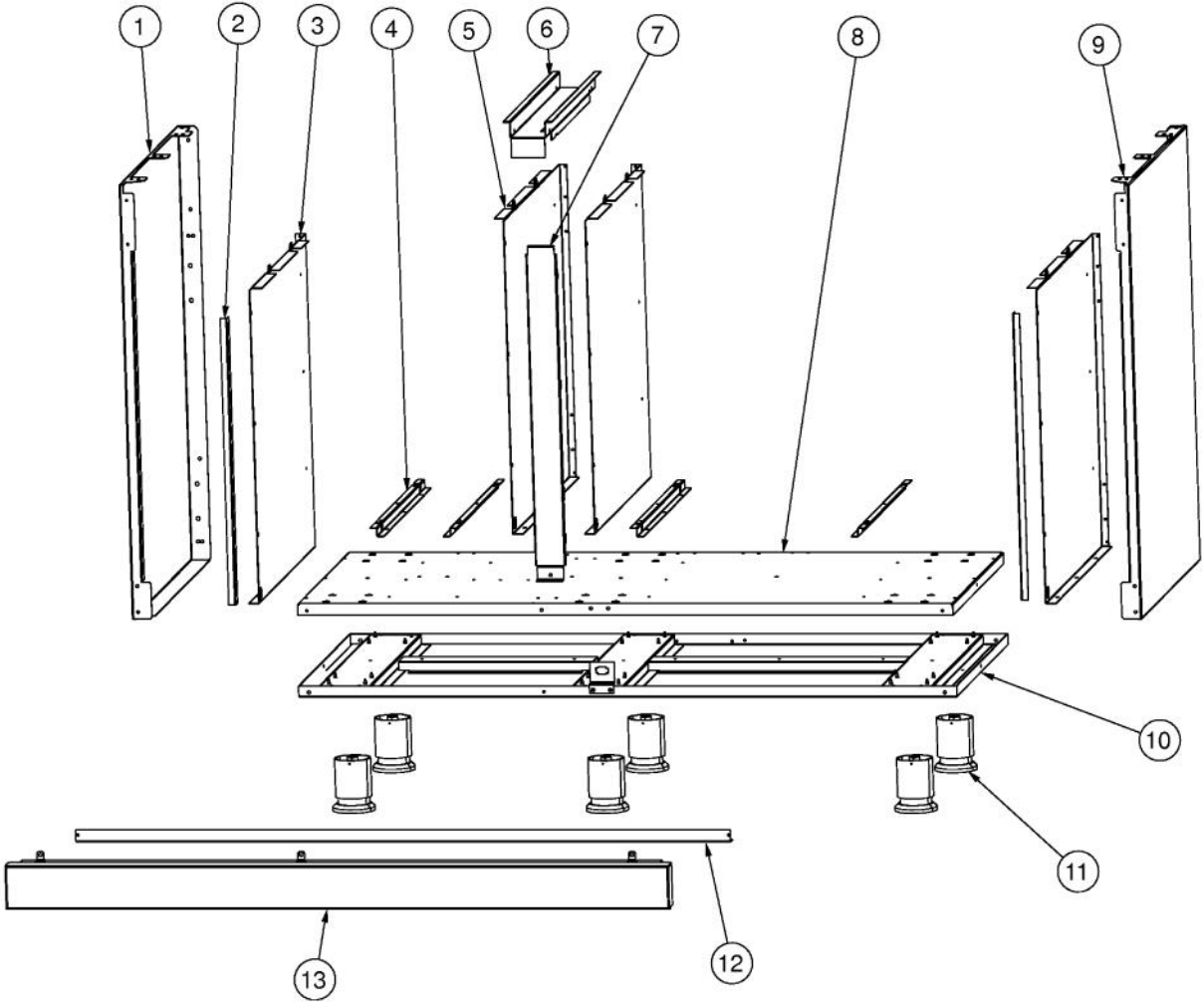
Ref #	Part Number	Qty.	Description
1	006114-000	1	DIVIDER, AIR
2	PE050250	1	PREMIUM BLOWER WITH HES
3	008420-000	1	FAN COVER PLATE
4	005464-000	1	DUCT, VENT
5	006952-000	1	DEFLECTOR, AIR
6	006950-000	1	DUCT, VENT
7	007794-000	1	COOLING FAN, VDSC 18
8	A20012649	1	DOOR SWITCH BRACKET
9	004628-000	1	TOP, CAB
10	023651-000	2	DSI120 LONG PURGE
11	012565-000	1	MOTORIZED DOOR LATCH
12	015981-000	1	CONTROL, PANEL, NO.3, ELAN BOARD
13	007374-000	1	TOP, LH CAB, VGSC 48
14	008011-000	1	36 ELECTRONIC PLATE
NI	PE050208	1	DOOR SWITCH



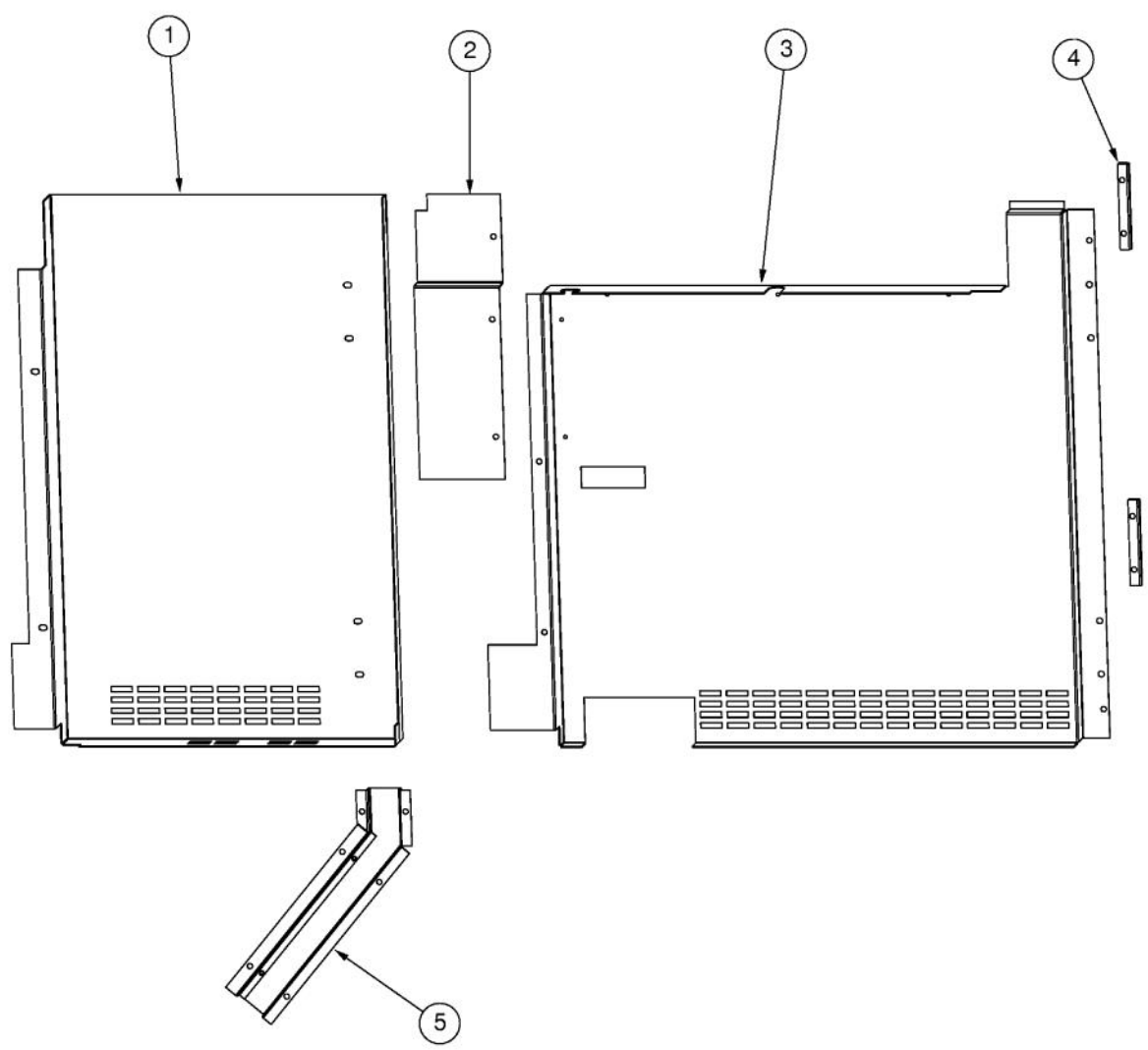
Ref #	Part Number	Qty.	Description
1	007705-000	1	COVER, INSIDE BACK, VGSC 18
2	UNSERVICEABLE	1	OVEN CAVITY, ASM 36
3	005311-000	2	120V/25W HALOGEN LIGHT
4	G3205588	1	OVEN BOTTOM PAN ASSY 48LH
5	005529-000	1	BAKE ORIFICE MTG BRKT (BEFORE 2/13/11)
5	040736-000	1	BRKT, ORF (ON OR AFTER 2/11/13)
6	009225-000	1	BURNER ASM, NAT.
6	009464-000	1	BURNER ASM, LP
7	B2004415	1	BURNER BRACKET (VGSC306)
8	031679-000	2	RECEPTACLE, HINGE
9	023093-000	1	FRONT FRAME, ASSY
10	PB040170	1	BAKE IGNITION ELECTRODE
11	006192-000	1	VENT, ASM, OVEN ASSEMBLY
NI	PB040034	1	ORIFICE HOOD-NO.50 (NAT)
NI	PB040036	1	ORIFICE HOOD-NO.57 (LP)



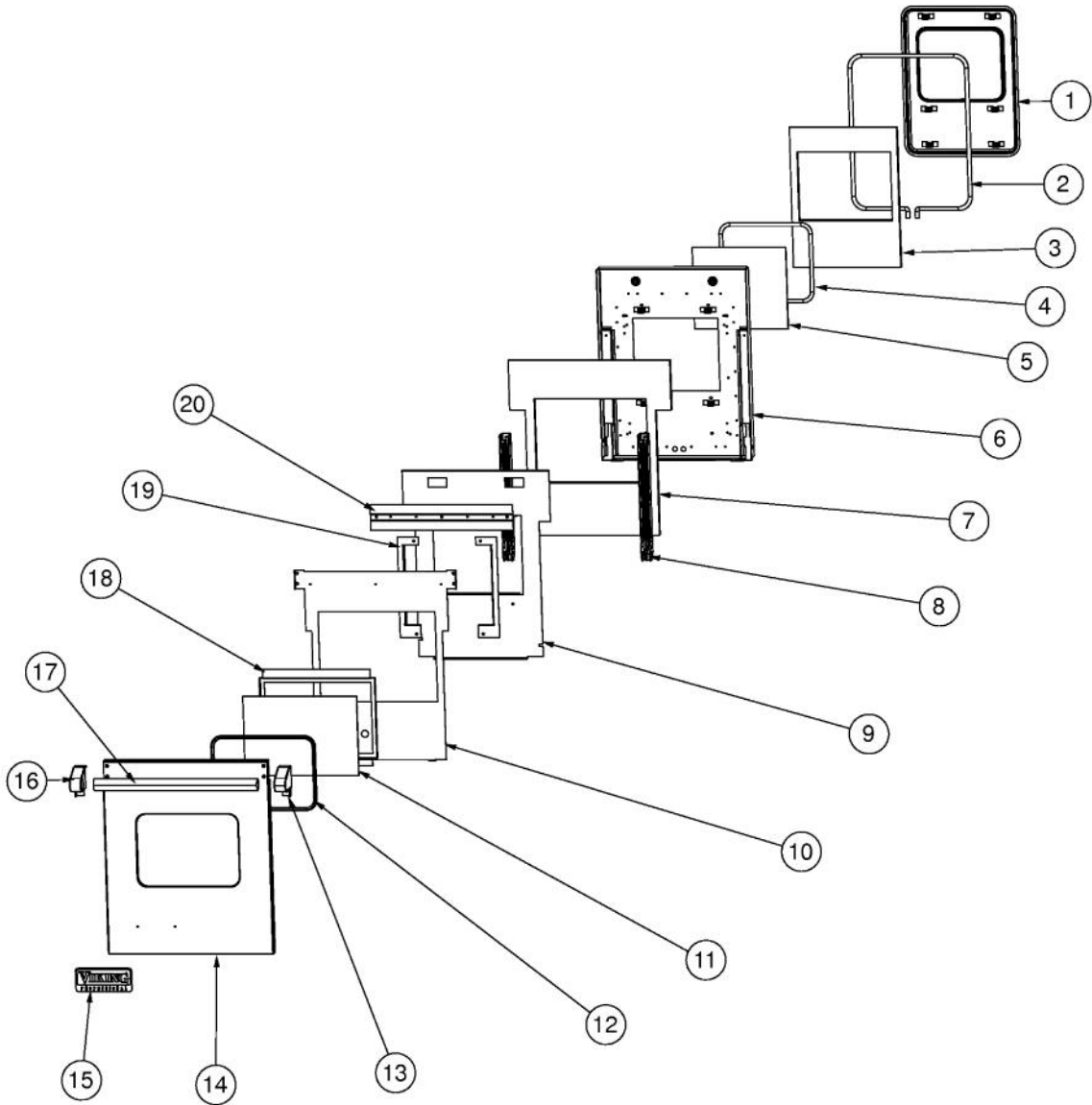
Ref #	Part Number	Qty.	Description
1	006946-000	1	SHIELD, BRL, EXHAUST
2	A2008467	1	INSULATION SHIELD
3	031735-000	1	BOX, INSUL., FAN (BEFORE 8/31/11)
4	PE050057	1	CONVECTION FAN (VGSC306) (BEFORE 8/31/11)
4	023090-000	1	MOTOR, CONV ASM? (ON OR AFTER 8/31/11)
5	PD020048	41	NO.10 X 1/2 TEK 410 SS SCREW
6	004626-000	1	PANEL, BACK, INSULATION, 30
7	PE050206	1	RTD THERMOSTAT PROBE
8	015612-000	1	COVER, FAN
9	A2001361	2	BACK SPACER (VGSC/VGSS)
10	G9104482	1	CONVECTION FAN COVER ASSY (VGSC306)
11	005311-000	4	120V/25W HALOGEN LIGHT
12	UNSERVICEABLE	1	OVEN CAVITY, ASM 36
13	G9104438	1	OVEN BOTTOM PAN ASSY (VGSC306)
NI	A2004439	1	OVEN BOTTOM SHIELD (VGSC306)
14	005529-000	1	BAKE ORIFICE MTG BRKT (BEFORE 2/11/13)
14	040736-000		BRKT, ORF (ON OR AFTER 2/11/13)
15	PB040170	1	BAKE IGNITION ELECTRODE
16	005102-000	1	BURNER PAN ASSEMBLY
17	005329-000	1	BURNER, OVEN, ASM
17	005330-000	1	BURNER, OVEN, ASM (LP)
18	031679-000	2	RECEPTACLE, HINGE
19	005373-000	1	30 FRONT FRAME WELD ASSY
20	A2004428	1	REAR BOTTOM BRCKT (VGSC306) (BEFORE 8/31/11)
21	B2001448	1	IR BROIL SUPT (FRONT)
22	B2005589	1	REAR BROILER BRACKET
23	PB040171	1	BROIL IGNITION ELECTRODE
24	G3001876	1	IR BURNER ASSY (VGSC/RC) N/S
24	013889-000	1	GRIDDLE, BURNER, ASM, LP, W/IGNITOR BRACKET
25	006192-000	2	VENT, ASM, OVEN ASSEMBLY
26	M0210443	2	SCREW-E SM
NI	PB040073	1	ORIFICE HOOD-NO.37
NI	PB040035	1	ORIFICE HOOD-NO.51 9701B1651
NI	PB040040	1	ORIFICE-IR BURNER (VGSC)
NI	PB040027	1	IR BUR.SPUD ORF. - NO.56 LP



Ref #	Part Number	Qty.	Description
1	003588-000	1	SIDE PANEL, LH
2	005536-000	2	TRIM
3	004482-000	2	INSULATION, PNL, SIDE, LH
4	A2004429	4	OVEN BOTTOM INSUL. BRACE (VGSC306)
5	004479-000	2	INSULATION, PNL, SIDE, RH
6	008638-000	1	OVEN DIVIDER
7	009820-000	1	TRIM, CTR, GAS 48 ASM
8	007193-000	1	BASE TOP PLATE
9	002905-000	1	SIDE PANEL, RH, SST
10	007198-000	1	BASE ASSEMBLY, VGCC/SC548
11	PC030031	6	ADJUSTABLE LEG
12	009280-000	1	SPACER, BOT, 48 GAS RANGES
13	009568-000	1	KICKPLATE, RNG, SST, VDSC 48
13	009630-002	1	KICKPLATE, RNG, BK
13	009630-003	1	KICKPLATE, BT
13	009630-004	1	KICKPLATE, VGSC548, SG
13	009630-005	1	KICKPLATE, RNG - GG
13	009630-006	1	KICKPLATE, RANGE - WH
13	009630-008	1	KICKPLATE, VGSC548, BU
13	009630-010	1	KICKPLATE, VGSC548, MJ
13	009630-012	1	KICKPLATE, VGSC548, VB
13	009630-013	1	KICKPLATE, RNG CB
13	009630-015	1	KICKPLATE, VGSC548, PL
13	009630-016	1	KICKPLATE, VGSC548, CH
13	009630-017	1	KICKPLATE, VGSC548, TP
13	009630-018	1	KICKPLATE, VGSC548, CW
13	009630-021	1	KICKPLATE, VGSC548, SA
13	009630-022	1	KICKPLATE, VGSC548, SE
13	009630-023	1	KICKPLATE, VGSC548, IB
13	009630-024	1	KICKPLATE, RANGE - AR
13	009630-025	1	KICKPLATE, VGSC548, RR

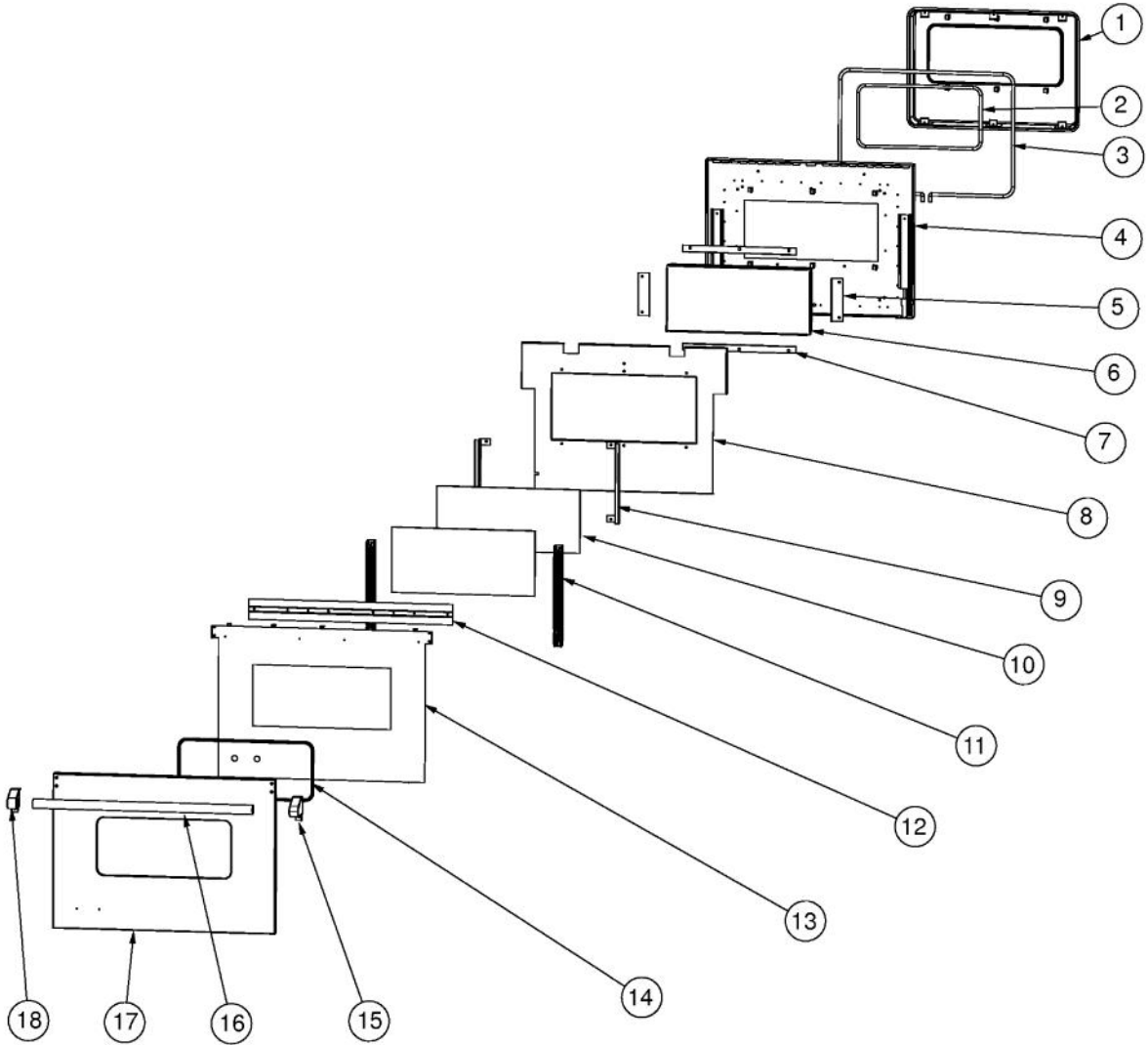


Ref #	Part Number	Qty.	Description
1	007701-000	1	COVER, 18 BACK VGSC
2	006962-000	1	COVER, INL, BACK
3	032123-000	1	CABINET, BACK
4	006744-000	2	STANDOFF, CAB, VGSC
5	006949-000	1	DUCT, AIR, ASM



Ref #	Part Number	Qty.	Description
1	000943-000	1	PLUG, DOOR, WELD 48 LH
2	000080-000	1	48 LH DOOR GASKET
3	PB070145	1	SUPERWOOL 5 X 24 X 3`
4	PB070150	1	FIBERGLASS ROPE, 3/8 DIA.
5	PE060032	1	GLASS (HEAT BARRIER) LH DF48DOOR
6	007221-000	1	LINER, DOOR, WELD ASM
7	PB070145	1	SUPERWOOL 5 X 24 X 3`
8	013303-000	2	HINGE, DOOR, VR 18 YELLOW SPRING
9	007202-000	1	DOOR, INNER HEAT SINK, VGCC/SC 48 LH
10	007222-000	1	PANEL, INSL, DOORSKIN, VGSC 18
11	PE060049	1	GLASS LH XTEX DF48DOOR
12	PE060046	1	J-MOLD LH SS (DF48 DOOR)
13	003012-000	1	DOOR HANDLE ENDCAP ASSY, RH (CHROME)
13	003012-100	1	DOOR HANDLE ENDCAP ASSY, RH (BRASS)
14	019975-000	1	48 DOOR SKIN SRV KIT LH
14	020038-002	1	LH DOOR SKIN KIT SRV, VGSC548 BK
14	020038-003	1	LH DOOR SKIN KIT SRV, VGSC548 BT
14	020038-004	1	LH DOOR SKIN KIT SRV, VGSC548 SG
14	020038-005	1	LH DOOR SKIN KIT SRV, VGSC548 GG
14	020038-006	1	LH DOOR SKIN KIT SRV, VGSC548 WH
14	020038-008	1	LH DOOR SKIN KIT SRV, VGSC548 BU
14	020038-009	1	LH DOOR SKIN KIT SRV, VGSC548 LE
14	020038-010	1	LH DOOR SKIN KIT SRV, VGSC548 MJ
14	020038-012	1	LH DOOR SKIN KIT SRV, VGSC548 VB
14	020038-013	1	LH DOOR SKIN KIT SRV, VGSC548 CB
14	020038-015	1	LH DOOR SKIN KIT SRV, VGSC548 PL
14	020038-016	1	LH DOOR SKIN KIT SRV, VGSC548 CH
14	020038-017	1	LH DOOR SKIN KIT SRV, VGSC548 TP
14	020038-018	1	LH DOOR SKIN KIT SRV, VGSC548 CW
14	020038-019	1	LH DOOR SKIN KIT SRV, VGSC548 OG
14	020038-020	1	LH DOOR SKIN KIT SRV, VGSC548 GM
14	020038-021	1	LH DOOR SKIN KIT SRV, VGSC548 SA
14	020038-022	1	LH DOOR SKIN KIT SRV, VGSC548 SE
14	020038-023	1	LH DOOR SKIN KIT SRV, VGSC548 IB
14	020038-024	1	LH DOOR SKIN KIT SRV, VGSC548 AR
14	020038-025	1	LH DOOR SKIN KIT SRV, VGSC548 RR
14	020038-026	1	LH DOOR SKIN KIT SRV, VGSC548 PM
14	020038-027	1	LH DOOR SKIN KIT SRV, VGSC548 MS
15	PE010030	1	LOGO, 6, PRO, BK
15	PE010068	1	LOGO, 6, PRO, BK/BR
16	003011-000	1	DOOR HANDLE ENDCAP ASSY, LH (CHROME)
16	003011-100	1	DOOR HANDLE ENDCAP ASSY, LH (BRASS)
17	006221-000	1	18 DOOR HANDLE, SST
18	008336-000	1	FRAME, GL
19	009830-000	2	RETAINER, INSL, LH
20	006225-000	1	BRACKET, DOOR, ASM, MT, VDSC 18
NI	007243-000	1	DOOR ASM, VGCC/SC LH SIDE (18)
NI	007241-002	1	DOOR ASM, VGCC/SC548 LH, BK
NI	007241-003	1	DOOR ASM, VGCC/SC548 LH, BT
NI	007241-004	1	DOOR ASM, VGCC/SC548 LH, SG
NI	007241-005	1	DOOR ASM, VGCC/SC548 LH, GG
NI	007241-006	1	DOOR ASM, VGCC/SC548 LH, WH
NI	007241-007	1	DOOR ASM, VGCC/SC548 LH, AL
NI	007241-008	1	DOOR ASM, VGCC/SC548 LH, BU
NI	007241-009	1	DOOR ASM, VGCC/SC548 LH, LE
NI	007241-010	1	DOOR ASM, VGCC/SC548 LH, MJ
NI	007241-011	1	DOOR ASM, VGCC/SC548 LH, FG
NI	007241-012	1	DOOR ASM, VGCC/SC548 LH, VB
NI	007241-013	1	DOOR ASM, VGCC/SC548 LH, CB
NI	007241-014	1	DOOR ASM, VGCC/SC548 LH, EP

Ref #	Part Number	Qty.	Description
NI	007241-014	1	DOOR ASM, VGCC/SC548 LH, EP
NI	007241-015	1	DOOR ASM, VGCC/SC548 LH, PL
NI	007241-016	1	DOOR ASM, VGCC/SC548 LH, CH
NI	007241-017	1	DOOR ASM, VGCC/SC548 LH, TP
NI	007241-018	1	DOOR ASM, VGCC/SC548 LH, CW
NI	007241-019	1	DOOR ASM, VGCC/SC548 LH, OG
NI	007241-020	1	DOOR ASM, VGCC/SC548 LH, GM
NI	007241-021	1	DOOR ASM, VGCC/SC548 LH, SA
NI	007241-022	1	DOOR ASM, VGCC/SC548 LH, SE
NI	007241-023	1	DOOR ASM, VGCC/SC548 LH, IB
NI	007241-024	1	DOOR ASM, VGCC/SC548 LH, AR
NI	007241-025	1	DOOR ASM, VGCC/SC548 LH, RR
NI	007241-026	1	DOOR ASM, VGCC/SC548 LH, PM
NI	007241-027	1	DOOR ASM, VGCC/SC548 LH, MS
NI	007243-100	1	DOOR ASM, VGCC/SC548 LH, SSB
NI	007241-102	1	DOOR ASM, W/LOGO LH, BK/BR
NI	007241-103	1	DOOR ASM, W/LOGO LH, BT/BR
NI	007241-104	1	DOOR ASM, W/LOGO LH, SG/BR
NI	007241-105	1	DOOR ASM, W/LOGO LH, GG/BR
NI	007241-106	1	DOOR ASM, W/LOGO LH, WH/BR
NI	007241-107	1	DOOR ASM, W/LOGO LH, AL/BR
NI	007241-108	1	DOOR ASM, W/LOGO LH, BU/BR
NI	007241-109	1	DOOR ASM, W/LOGO LH, LE/BR
NI	007241-110	1	DOOR ASM, W/LOGO LH, MJ/BR
NI	007241-111	1	DOOR ASM, W/LOGO LH, FG/BR
NI	007241-112	1	DOOR ASM, W/LOGO LH, VB/BR
NI	007241-113	1	DOOR ASM, W/LOGO LH, CB/BR
NI	007241-114	1	DOOR ASM, W/LOGO LH, EP/BR
NI	007241-115	1	DOOR ASM, W/LOGO LH, PL/BR
NI	007241-116	1	DOOR ASM, W/LOGO LH, CH/BR
NI	007241-117	1	DOOR ASM, W/LOGO LH, TP/BR
NI	007241-118	1	DOOR ASM, W/LOGO LH, CW/BR
NI	007241-119	1	DOOR ASM, W/LOGO LH, OG/BR
NI	007241-120	1	DOOR ASM, W/LOGO LH, GM/BR
NI	007241-121	1	DOOR ASM, W/LOGO LH, SA/BR
NI	007241-122	1	DOOR ASM, W/LOGO LH, SE/BR
NI	007241-123	1	DOOR ASM, W/LOGO LH, IB/BR
NI	007241-124	1	DOOR ASM, W/LOGO LH, AR/BR
NI	007241-125	1	DOOR ASM, W/LOGO LH, RR/BR
NI	007241-126	1	DOOR ASM, W/LOGO LH, PM/BR
NI	007241-127	1	DOOR ASM, W/LOGO LH, MS/BR



Ref #	Part Number	Qty.	Description
1	G9102745	1	DR PG ASSY VDSC30/48 RE H9102175
2	000594-000	1	BLACK FIBERGLASS ROPE 3/8
3	000042-000	1	30 DOOR GASKET
4	004691-000	1	LINER, DOOR, ASM, ASSY, GSC
5	A2002189	2	DOOR GLASS STANDOFF (VDSC)
6	PE060064	1	WINDOW PACK, SELF CLEANING OVEN 30
7	A2007943	1	GLASSPACK BRACKET, LARGE
8	004688-000	1	PANEL, INSL, DOOR, LINER
9	004687-000	2	BRACKET, WDO
10	PE060030	2	GLASS-OUTER DOOR BK SCREENED,TEMP
11	002740-000	2	MANSFIELD HINGE, BLUE SPRING
12	002732-000	1	DOOR SKIN MOUNTING BRACKET ASSY
13	004684-000	1	PANEL, DOOR, INSULATION, GSC
14	PE060031	1	J-MOLD (LARGE WINDOW)
15	003012-000	1	DOOR HANDLE ENDCAP ASSY, RH (CHROME)
15	003012-100	1	DOOR HANDLE ENDCAP ASSY, RH (BRASS)
16	002728-000	1	DOOR HANDLE - SS, 1.25 OD
17	008183-000	1	PANEL, DOOR 30 W/NO LOGO, SS
18	003011-000	1	DOOR HANDLE ENDCAP ASSY, LH (CHROME)
18	003011-100	1	DOOR HANDLE ENDCAP ASSY, LH (BRASS)
NI	008144-000	1	DOOR ASM, VGSC548 RH W/O LOGO HOLES, SST
NI	009823-002	1	DOOR ASM, 30, W/O LOGO, BK
NI	009823-003	1	DOOR ASM, 30, W/O LOGO, BT
NI	009823-004	1	DOOR ASM, 30, W/O LOGO, SG
NI	009823-005	1	DOOR ASM, 30, W/O LOGO, GG
NI	009823-006	1	DOOR ASM, 30, W/O LOGO, WH
NI	009823-007	1	DOOR ASM, 30, W/O LOGO, AL
NI	009823-008	1	DOOR ASM, 30, W/O LOGO, BU
NI	009823-009	1	DOOR ASM, 30, W/O LOGO, LE
NI	009823-010	1	DOOR ASM, 30, W/O LOGO, MJ
NI	009823-011	1	DOOR ASM, 30, W/O LOGO, FG
NI	009823-012	1	DOOR ASM, 30, W/O LOGO, VB
NI	009823-013	1	DOOR ASM, 30, W/O LOGO, CB
NI	009823-014	1	DOOR ASM, 30, W/O LOGO, EP
NI	009823-015	1	DOOR ASM, 30, W/O LOGO, PL
NI	009823-016	1	DOOR ASM, 30, W/O LOGO, CH
NI	009823-017	1	DOOR ASM, 30, W/O LOGO, TP
NI	009823-018	1	DOOR ASM, 30, W/O LOGO, CW
NI	009823-019	1	DOOR ASM, 30, W/O LOGO, OG
NI	009823-020	1	DOOR ASM, 30, W/O LOGO, GM
NI	009823-021	1	DOOR ASM, 30, W/O LOGO, SA
NI	009823-022	1	DOOR ASM, 30, W/O LOGO, SE
NI	009823-023	1	DOOR ASM, 30, W/O LOGO, IB
NI	009823-024	1	DOOR ASM, 30, W/O LOGO, AR
NI	009823-025	1	DOOR ASM, 30, W/O LOGO, RR
NI	009823-026	1	DOOR ASM, 30, W/O LOGO, PM
NI	009823-027	1	DOOR ASM, 30, W/O LOGO, MS
NI	008144-100	1	DOOR ASM, VGSC548 W/O LOGO, SSBR
NI	009823-002	1	DOOR ASM, 30, W/O LOGO, BK
NI	009823-003	1	DOOR ASM, 30, W/O LOGO, BT
NI	009823-004	1	DOOR ASM, 30, W/O LOGO, SG
NI	009823-005	1	DOOR ASM, 30, W/O LOGO, GG
NI	009823-006	1	DOOR ASM, 30, W/O LOGO, WH
NI	009823-007	1	DOOR ASM, 30, W/O LOGO, AL
NI	009823-008	1	DOOR ASM, 30, W/O LOGO, BU
NI	009823-009	1	DOOR ASM, 30, W/O LOGO, LE
NI	009823-010	1	DOOR ASM, 30, W/O LOGO, MJ
NI	009823-011	1	DOOR ASM, 30, W/O LOGO, FG
NI	009823-012	1	DOOR ASM, 30, W/O LOGO, VB
NI	009823-013	1	DOOR ASM, 30, W/O LOGO, CB

Ref #	Part Number	Qty.	Description
NI	009823-013	1	DOOR ASM, 30, W/O LOGO, CB
NI	009823-014	1	DOOR ASM, 30, W/O LOGO, EP
NI	009823-015	1	DOOR ASM, 30, W/O LOGO, PL
NI	009823-016	1	DOOR ASM, 30, W/O LOGO, CH
NI	009823-017	1	DOOR ASM, 30, W/O LOGO, TP
NI	009823-018	1	DOOR ASM, 30, W/O LOGO, CW
NI	009823-019	1	DOOR ASM, 30, W/O LOGO, OG
NI	009823-020	1	DOOR ASM, 30, W/O LOGO, GM
NI	009823-021	1	DOOR ASM, 30, W/O LOGO, SA
NI	009823-022	1	DOOR ASM, 30, W/O LOGO, SE
NI	009823-023	1	DOOR ASM, 30, W/O LOGO, IB
NI	009823-024	1	DOOR ASM, 30, W/O LOGO, AR
NI	009823-025	1	DOOR ASM, 30, W/O LOGO, RR
NI	009823-026	1	DOOR ASM, 30, W/O LOGO, PM
NI	009823-027	1	DOOR ASM, 30, W/O LOGO, MS

*No Image
Available*

Ref #	Part Number	Qty.	Description
NI	000647-000	2	IRIS IGNITOR WIRE, FRONT BURNER
NI	006766-000	3	IRIS IGNITOR WIRE, BACK BURNER
NI	PE070892	1	IRIS HARNESS - 60 (BEFORE 12/29/10)
NI	023325-000	1	IRIS HARNESS, 48 (ON OR AFTER 12/29/10)
NI	007298-000	4	BAKE IGNITOR WIRE, ASM (BEFORE 12/29/10)
NI	024606-000		WIRE, BAKE, ELECTRODE, ASM (ON OR AFTER 12/29/10)
NI	006765-000	1	BROIL IGNITOR WIRE ASM (BEFORE 12/29/10)
NI	024605-000	1	WIRE, BRL, ELECTRODE, ASM (ON OR AFTER 12/29/10)
NI	001754-000	1	HARNESS POWER DISCONNECT (BEFORE 12/29/10)
NI	009476-000	1	HARNESS, POWER, 48 (BEFORE 12/29/10)
NI	009474-000	1	HARNESS, MAIN, 48 LH (BEFORE 12/29/10)
NI	025993-000	1	HARNESS, MAIN 48 L.H. (ON OR AFTER 12/29/10)
NI	004133-000	1	CONTROL PANEL HARNESS
NI	027582-000	1	WIRE HARNESS, GRIDDLE VGCC548-4G?
NI	027587-000	1	HARNESS, T/STAT, VGCC548-4G
NI	027588-000	1	HARNESS, OVEN T/STAT, VGCC548-4G
NI	009475-000	2	GRIDDLE RTD HARNESS
NI	013408-000	2	GRIDDLE HEADER
NI	G4000936	2	GROUND WIRE
NI	PE070036	1	TIE WRAP
NI	G4008493	1	SUPPLY CORD ASSY- VGSU
NI	M0104106	5	CLIP-CORD VM0104106
NI	009477-000	1	LIGHT SWITCH HARNESS
NI	007537-000	1	PROBE HARNESS
NI	030292-000	2	RTD JUMPER
NI	033365-000	1	VGSC548 POWER DISCONNECT KIT (MANUFACTURED BEFORE 9/16/11)
NI	023750-000	1	CORD, SUPPLY
NI	009472-000	1	HARNESS, MAIN, 48 (BEFORE 12/29/10)
NI	025992-000	1	HARNESS, MAIN 48 (ON OR AFTER 12/29/10)
NI	024607-000		WIRE, GRDL, ELECTRODE, ASM