

This Owner's Manual is provided and hosted by [Appliance Factory Parts](#).



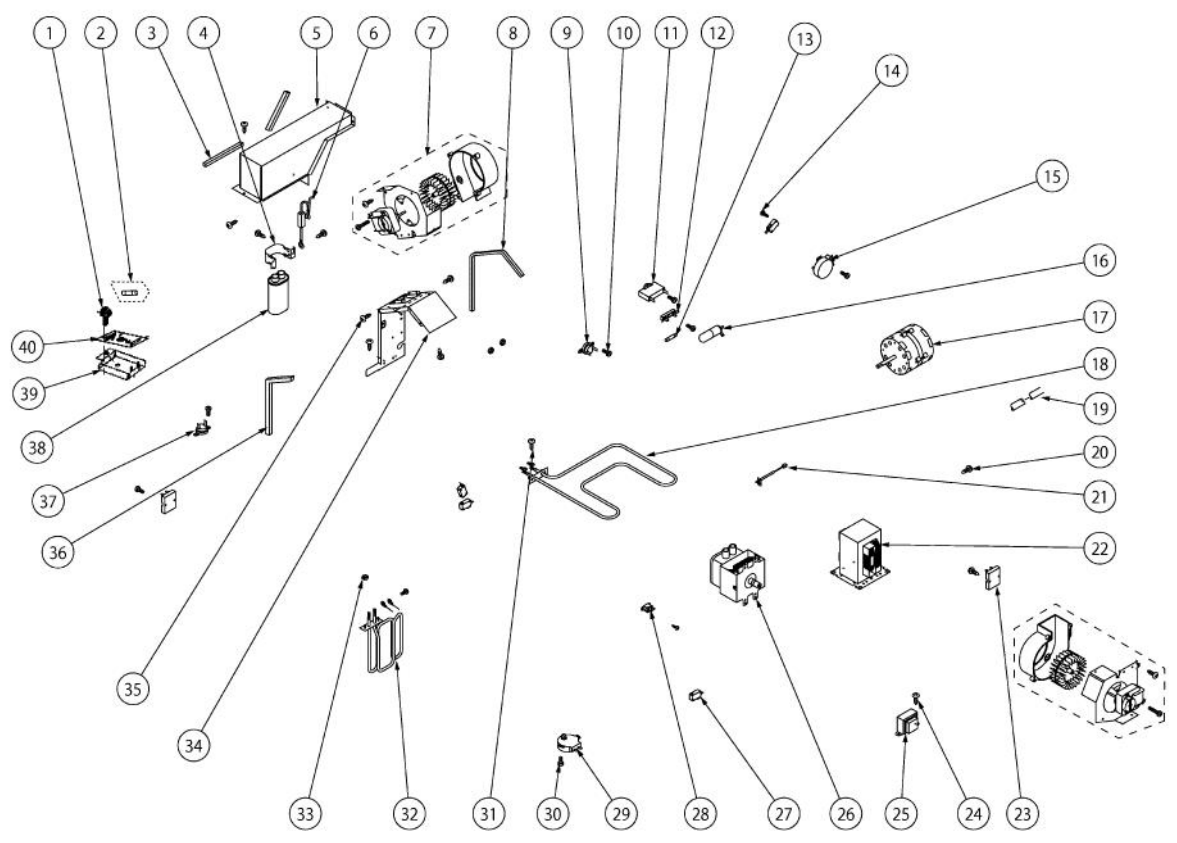
VIKING VHSO205 Owner's Manual

[Shop genuine replacement parts for VIKING VHSO205](#)

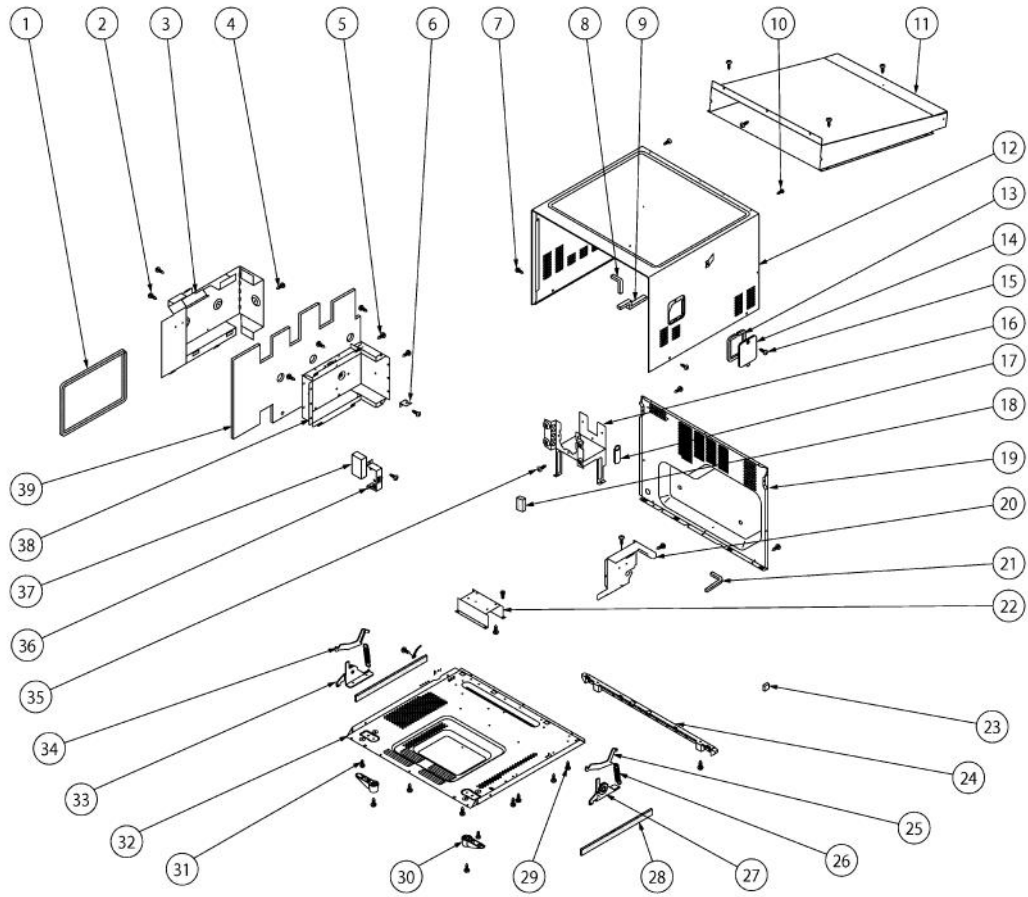


[Find Your VIKING Oven Parts - Select From 98 Models](#)

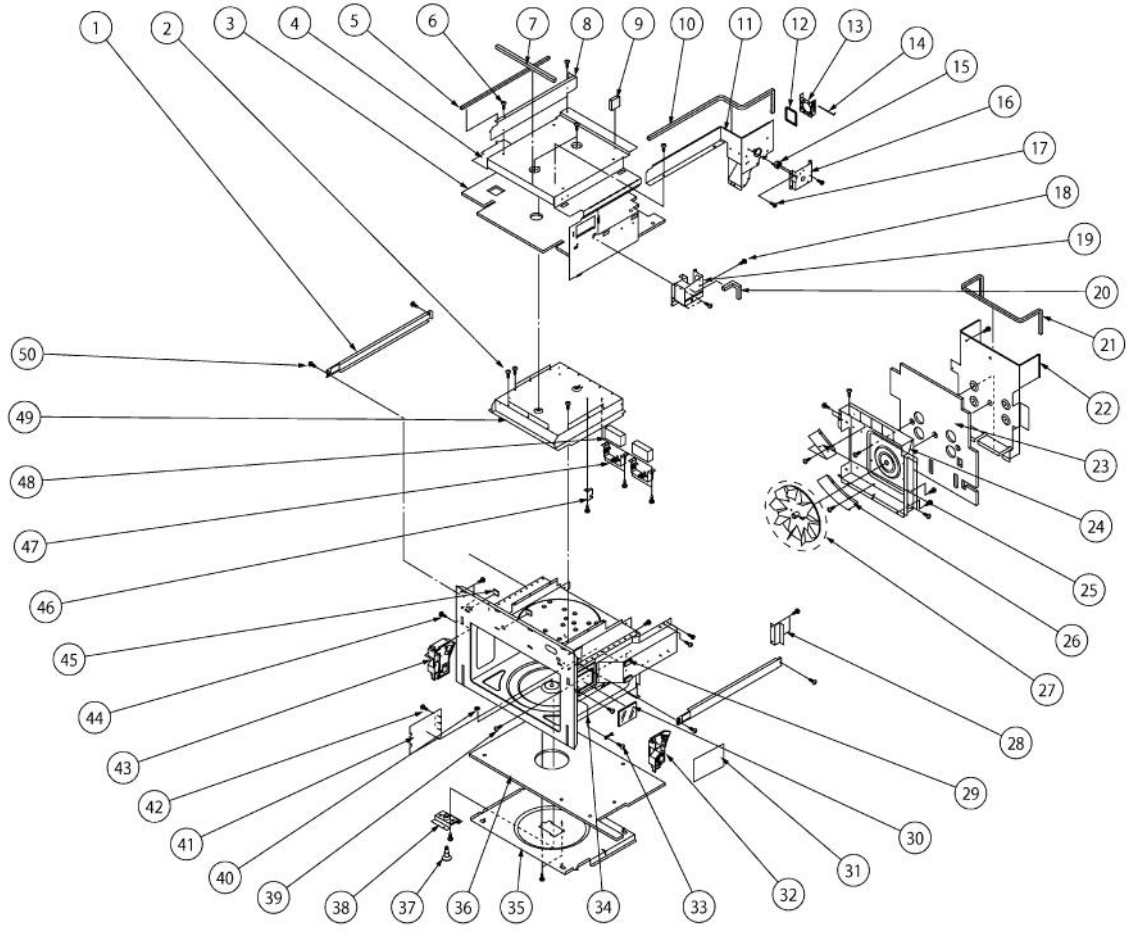
----- Manual continues below -----



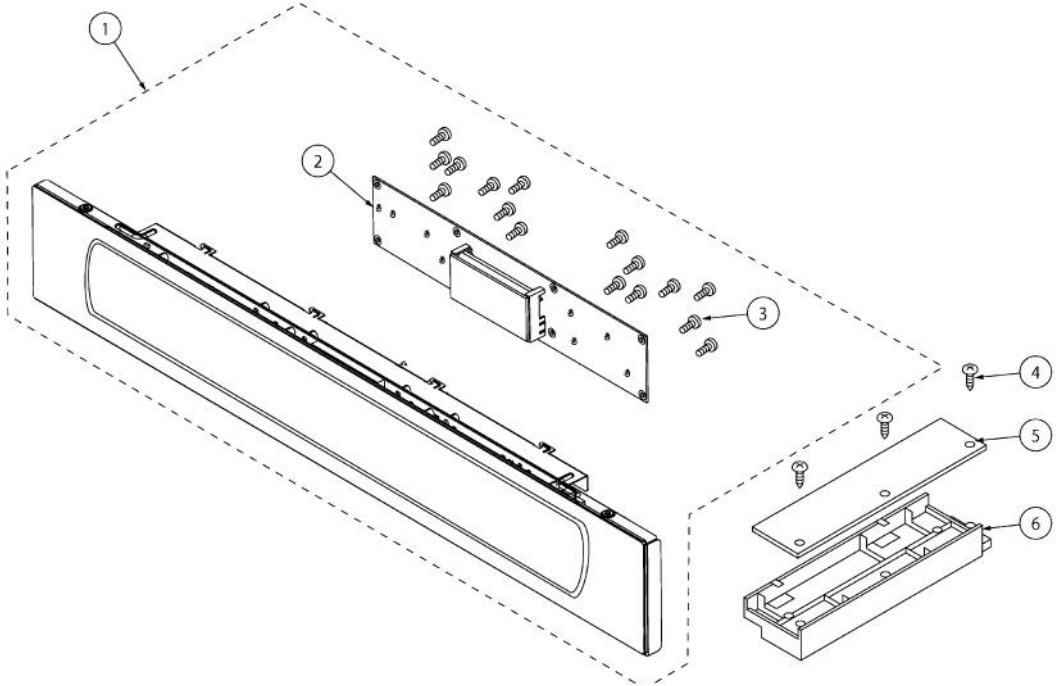
Ref #	Part Number	Qty.	Description
1	PM120146	5	SCREW : 4MM X 12MM
2	022503-000	1	MONITOR FUSE 20A AND MONITOR SWITCH (V-5220Q) ASS...
3	022299-000	2	EDGE COVER
4	022293-000	1	CAPACITOR HOLDER
5	022289-000	1	EXHAUST DUCT
6	004707-000	1	HIGH VOLTAGE RECTIFIER ASSY
7	022290-000	2	FAN MOTOR ASSY
8	005126-000	3	CUSHION
9	004831-000	1	THERMAL CUT OUT 338O F (TOP HEATER) OFF 311O F ON
10	005227-000	10	SCREW : 3 MM X 10 MM
11	022309-000	1	CONVECTION MOTOR CAPACITOR
12	004828-000	1	TEMPERATURE FUSE 302O F (MG)
13	004827-000	1	FUSE F10A
14	005222-000	1	SCREW
15	022311-000	1	DAMPER MOTOR
16	004830-000	1	OVEN LAMP
17	022310-000	1	CONVECTION MOTOR
18	004696-000	1	TOP HEATING ELEMENT
19	004703-000	1	POWER SUPPLY CORD
20	022315-000	3	SCREW : 4 MM X 6 MM
21	PM100077	1	THERMISTOR
22	004833-000	1	POWER TRANSFORMER
23	004826-000	2	SOLID - STATE RELAY
24	PM120148	3	SCREW : 3MM X 14MM
25	022312-000	1	LV TRANSFORMER
26	004835-000	1	MAGNETRON
27	PM100019	3	INTERLOCK SWITCH
28	PM100017	1	CAVITY TEMPERATURE FUSE 150+C
29	004699-000	1	TURNTABLE MOTOR
30	005228-000	5	SCREW : 4 MM X 8 MM
31	005226-000	2	SPECIAL SCREW
32	004829-000	1	SIDE HEATING ELEMENT
33	022316-000	3	NUT: 4MM X 3.2MM
34	004876-000	1	FAN MOTOR MOUNTING ANGLE
35	011866-000	3	SCREW : 4MM X 8MM
36	005141-000	1	CUSHION
37	004832-000	1	THERMAL CUT OUT 302O F (SIDE HEATER) 302O F OFF 266...
38	004730-000	1	HIGH VOLTAGE CAPACITOR
39	005075-000	1	FAN MOTOR MOUNTING ANGLE
40	004836-000	1	NOISE FILTER



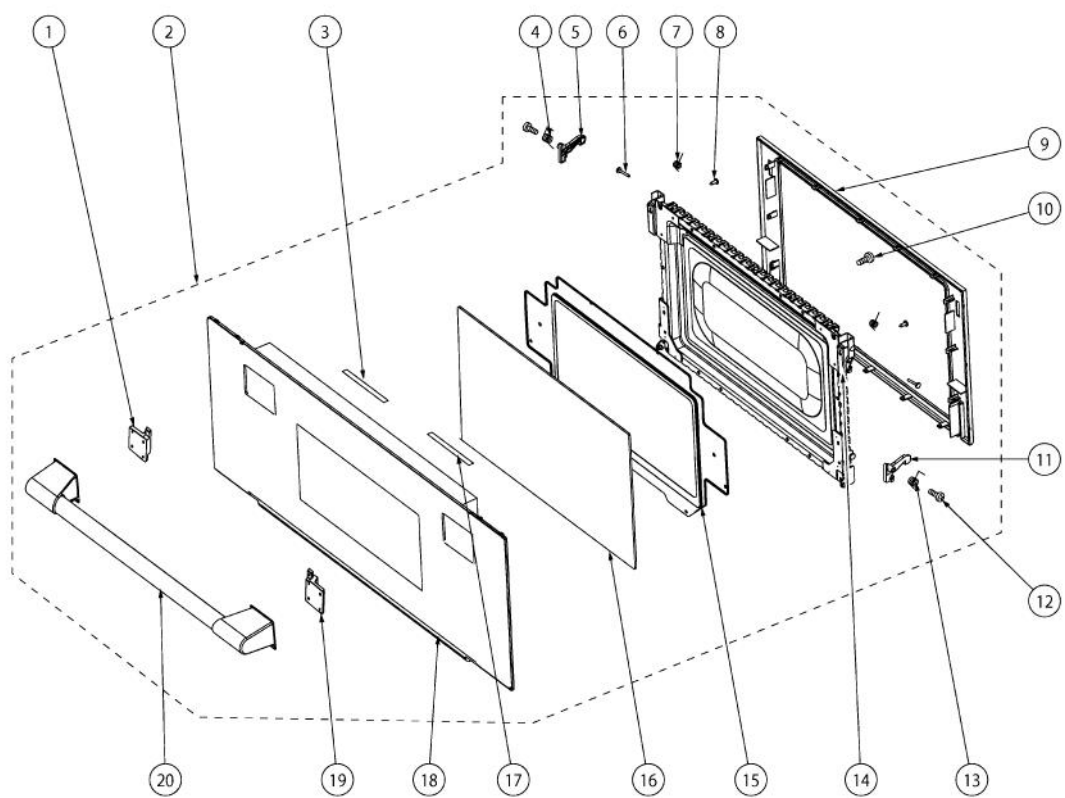
Ref #	Part Number	Qty.	Description
1	005094-000	1	CUSHION
2	PM120159	1	SCREW
3	005057-000	1	THERMAL COVER LEFT
4	022318-000	11	SCREW : 4 MM X 8 MM
5	PM120146	25	SCREW : 4MM X 12MM
6	004899-000	1	CONVECTION MOTOR MOUNTING ANGLE
7	011855-000	2	DECO SCREW
8	005132-000	2	CUSHION
9	011869-000	1	CUSHION
10	PM120005	1	SCREW
11	005082-000	1	TOP DUCT
12	004865-000	1	OUTER CASE CABINET
13	004887-000	1	DAMPER CUSHION
14	022291-000	1	LAMP COVER
15	PM120097	1	SCREW
16	004890-000	1	CONVECTION MOTOR MOUNTING ANGLE
17	022299-000	1	EDGE COVER
18	005092-000	1	CUSHION
19	022504-000	1	BACK PLATE
20	005067-000	1	MAGNETRON SEPARATOR
21	005139-000	1	CUSHION
22	005060-000	2	TURNTABLE MOUNTING ANGLE
23	005130-000	2	CUSHION
24	022307-000	1	REAR SEPARATOR
25	005088-000	1	DOOR CAM RIGHT
26	005089-000	2	DOOR SPRING
27	005080-000	1	OVEN HINGE RIGHT
28	005065-000	1	CUSHION
29	PM120148	1	SCREW : 3MM X 14MM
30	004846-000	2	LEG
31	005228-000	4	SCREW : 4 MM X 8 MM
32	NLA	1	BOTTOM PLATE
33	005079-000	1	OVEN HINGE LEFT
34	005086-000	1	DOOR CAM LEFT
35	022315-000	3	SCREW : 4 MM X 6 MM
36	005083-000	1	TRANSFORMER MOUNTING ANGLE
37	022302-000	1	CATALYST
38	004891-000	1	HEATER DUCT LEFT
39	022303-000	1	THERMAL INSULATION L



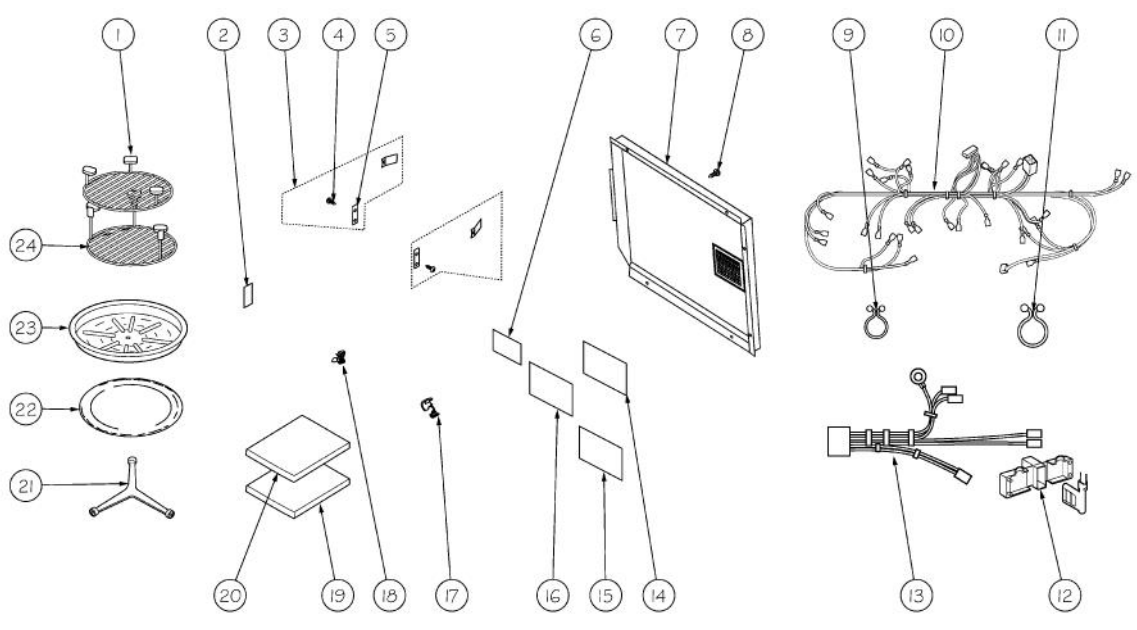
Ref #	Part Number	Qty.	Description
1	011880-000	1	AIR GUIDE - RH
2	022318-000	11	SCREW : 4 MM X 8 MM
3	005066-000	1	THERMAL INSULATION UPPER
4	005071-000	1	THERMAL COVER UPPER
5	005126-000	1	CUSHION
6	PM120159	1	SCREW
7	005137-000	1	CUSHION
8	022292-000	1	SEPARATOR LEFT
9	005028-000	1	CUSHION
10	005147-000	1	CUSHION
11	004897-000	1	DAMPER DUCT ASSEMBLY
12	005064-000	1	DAMPER CUSHION
13	005056-000	3	THERMAL INSULATOR BACK
14	022298-000	1	DAMPER SHAFT
15	022296-000	1	DAMPER CAM
16	PM120066	2	SPECIAL SCREW
17	005061-000	1	MOTOR MOUNTING ANGLE
18	022317-000	2	SCREW : 4MM X 8MM
19	005144-000	1	LAMP MOUNTING ANGLE
20	005140-000	1	CUSHION
21	005093-000	2	CUSHION
22	005074-000	1	THERMAL COVER BACK
23	005069-000	1	THERMAL INSULATOR BACK
24	004894-000	1	HEATER DUCT LEFT
25	005063-000	1	MAGNETRON SEPARATOR
26	005058-000	1	DIVIDE PLATE A
27	012003-000	1	STIRRER FAN ASSY
28	005085-000	1	MAGNETRON GUIDE
29	005138-000	1	CUSHION
30	004888-000	1	LAMP GLASS
31	022314-000	1	SCHEMATIC
32	022304-000	1	LATCH HOOK RIGHT
33	005228-000	4	SCREW : 4 MM X 8 MM
34	NON-REPLACEABLE	1	OVEN CAVITY
35	005072-000	1	THERMAL COVER UPPER
36	005068-000	1	THERMAL INSULATION BOTTOM
37	004896-000	1	COUPLING ASSEMBLY
38	011853-000	1	C/P FRAME ASSY
39	011900-000	1	SCREW : 4MM X 8MM
40	022306-000	1	SILCON PACKING
41	005090-000	1	WAVEGUIDE COVER
42	005226-000	1	SPECIAL SCREW
43	022305-000	1	LATCH HOOK LEFT
44	022269-000	2	DOOR STOPPER
45	022300-000	1	CUSHION
46	005084-000	1	CHASSIS SUPPORT
47	005083-000	2	TRANSFORMER MOUNTING ANGLE
48	022302-000	1	CATALYST
49	022301-000	3	HEATER DUCT UPPER
50	PM120146	11	SCREW : 4MM X 12MM



Ref #	Part Number	Qty.	Description
1	002816-000	1	C/P ASSY
2	004870-000	1	CONTROL UNIT
3	022262-000	20	SCREW; 3MM X 10MM
4	PM120003	3	SCREW
5	004867-000	1	POWER UNIT (LOCATED ON BOTTOM PLATE)
6	005203-000	1	PWB MOUNTING ANGLE



Ref #	Part Number	Qty.	Description
1	005161-000	1	HANDLE ADAPTER LEFT
2	005157-000	1	DOOR ASSY
4	005175-000	1	LATCH SPRING LEFT
5	005164-000	1	LATCH HEAD LEFT
6	005180-000	2	HANDLE PIN
7	005165-000	2	HANDLE SPRING
8	005177-000	4	SCREW : 4MM X 20MM
9	005160-000	1	CHOKE COVER
10	011900-000	14	SCREW : 4MM X 8MM
11	005163-000	1	LATCH HEAD RIGHT
12	005159-000	2	SCREW
13	005169-000	1	LATCH SPRING RIGHT
14	022297-000	2	HANDLE LEVER
19	005162-000	1	HANDLE ADAPTER RIGHT
20	005158-000	1	DOOR HANDLE



Ref #	Part Number	Qty.	Description
1	005187-000	1	LOW RACK ASSEMBLY
2	PM120034	1	MONITOR CAUTION LABEL
3	022288-000	2	ANTI-TIP BRACKET
4	PM120146	4	SCREW : 4MM X 12MM
5	005229-000	2	CLIP RETAINER
6	005196-000	1	GND CAUTION LABEL
7	005207-000	1	BACK DUCT
9	022295-000	1	PURSE LOCK L
10	005198-000	1	MAIN WIRE HARNESS
11	005200-000	1	PURSE LOCK L
12	022308-000	1	THERMAL INSULATOR
13	011910-000	1	HARNESS ASSY
14	PM120073	2	LABEL
15	022505-000	1	NHW CAUTION LABEL
16	012012-000	1	BIK LABEL
17	022294-000	1	CORD BUSHING
18	PM120072	1	PURSE LOCK LL
19	022313-000	1	COOK BOOK
20	022506-000	1	USER & CARE GUIDE
21	005188-000	1	TURNTABLE SUPPORT
22	005191-000	1	TURNTABLE TRAY
23	005193-000	1	SPLASH GUARD
24	005182-000	1	HIGH RACK ASSEMBLY