

This Owner's Manual is provided and hosted by [Appliance Factory Parts](#).



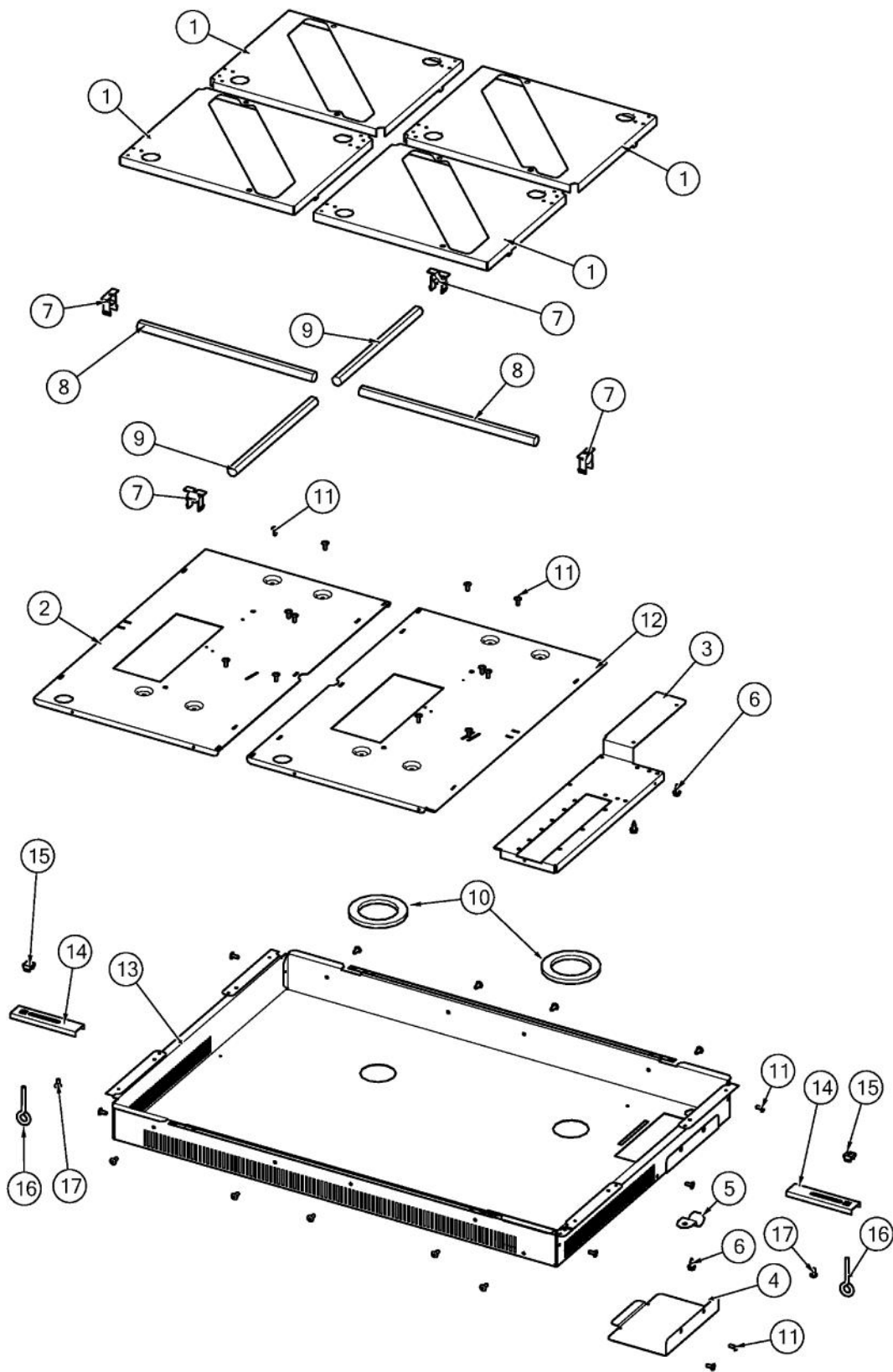
VIKING VIC530-4B Owner's Manual

[Shop genuine replacement parts for VIKING VIC530-4B](#)

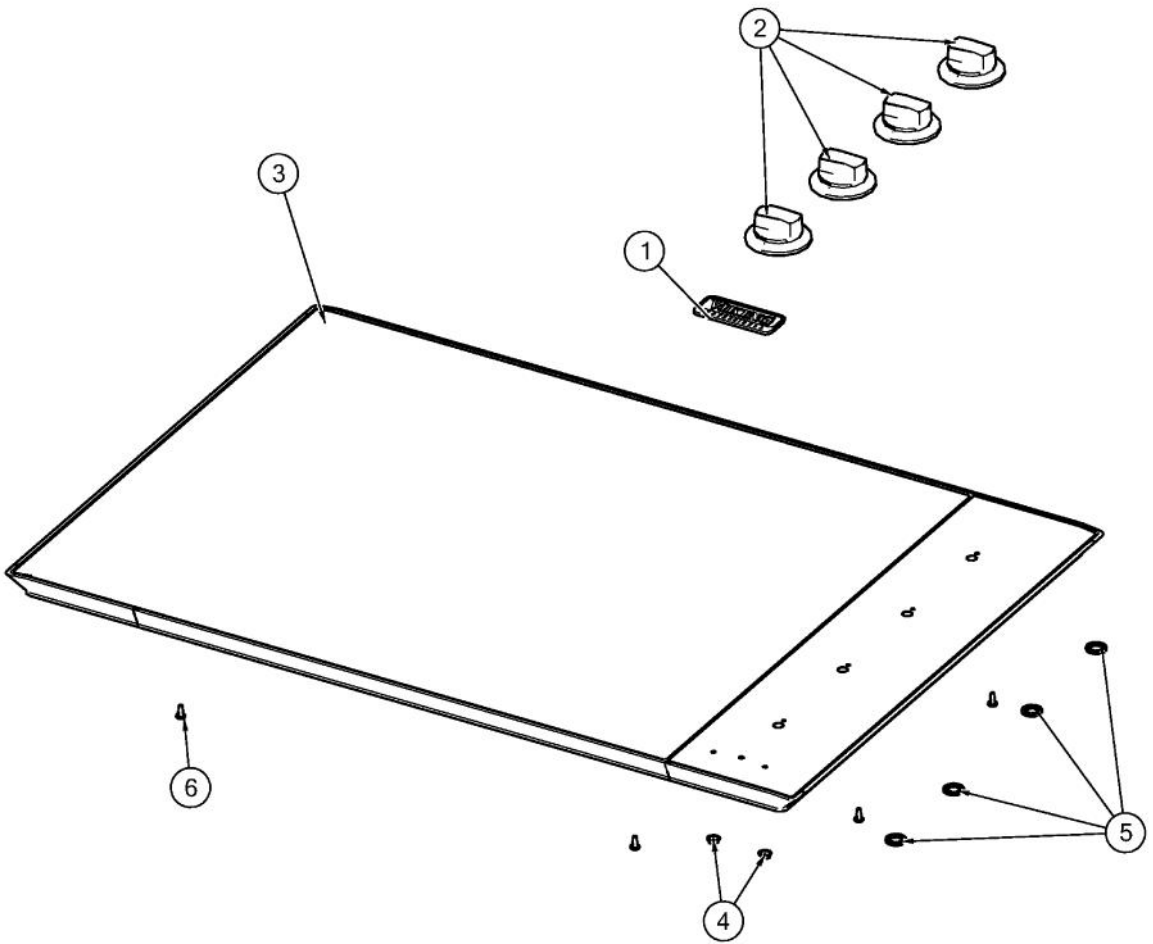


[Find Your VIKING Gas Range Parts - Select From 76 Models](#)

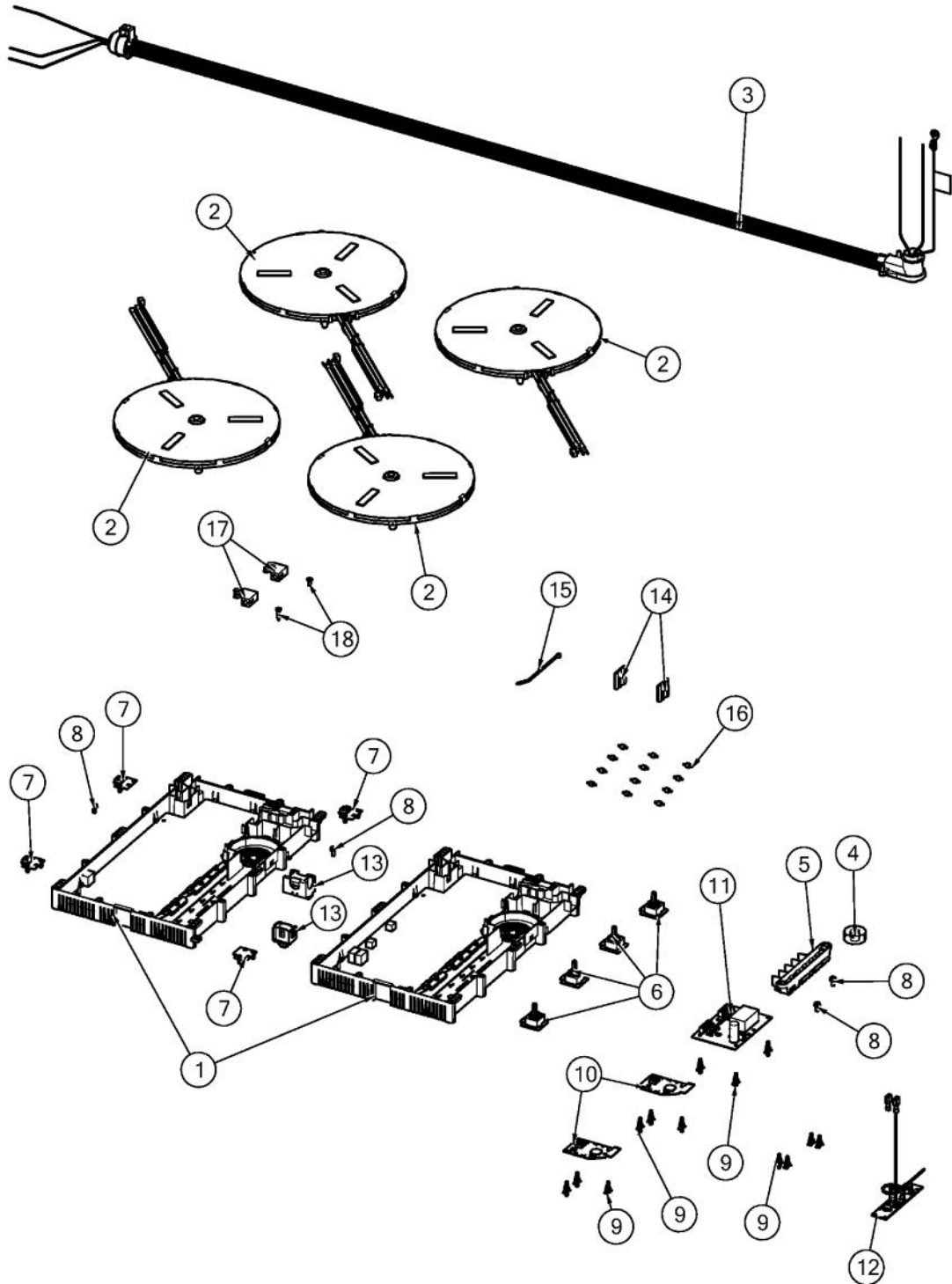
----- Manual continues below -----



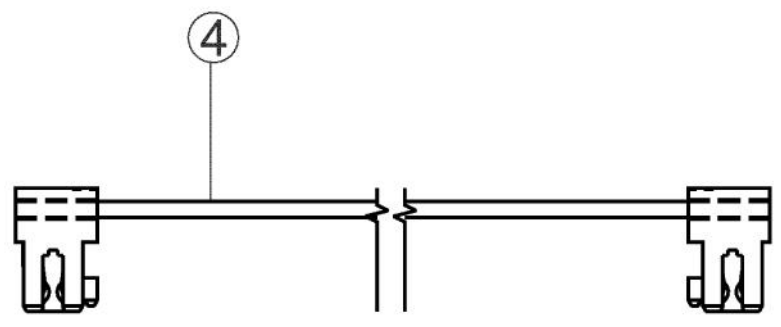
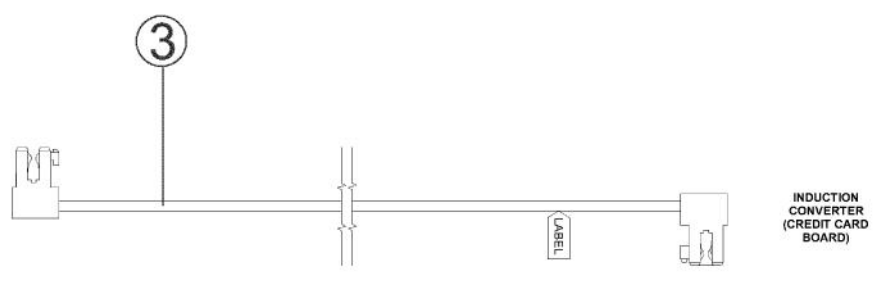
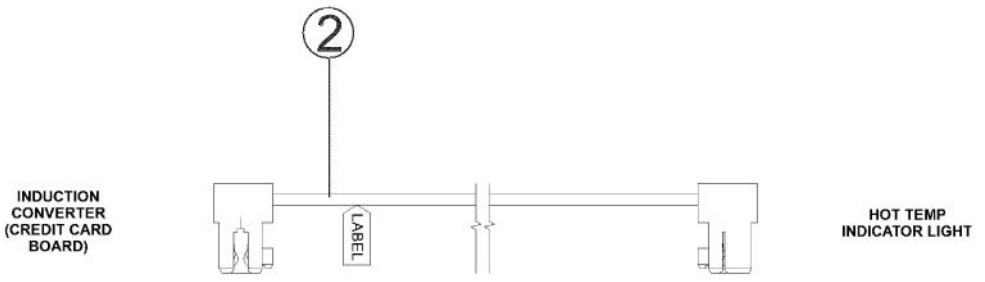
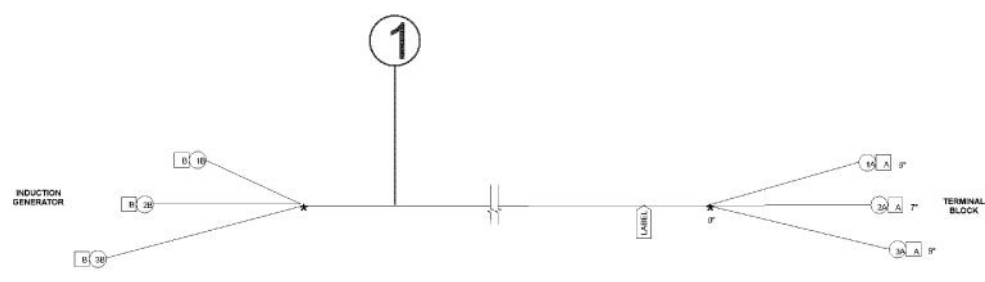
Ref #	Part Number	Qty.	Description
1	043090-000	4	BASE, ELEMENT, INDUCTION, 30
2	052470-000	1	PLATE, MTG, INDUCTION 30 MODULE 1
3	051576-000	1	BRACKET, MTG, ELECTRONICS
4	043616-000	1	COVER, TERMINAL, BLOCK
5	044546-000	1	CLAMP, CONDUIT
6	003860-000		NO.10-18 X .500 FASTNR,SCR,HXWH,STL,ZPLT
7	045665-000	4	HOLDER, LIGHT, PIPE
8	043363-000	2	LIGHT PIPE, 30, HORZ
9	043360-000	2	LIGHT PIPE, 36, HORZ
10	003820-000	2	INDUCTION FAN SEAL
11	008863-000		SCREW NO.8 - 18 X 3/8, PHIL, LOW PROFILE TRUSS
12	052476-000	1	PLATE, MTG, INDUCTION 30 MODULE 2
13	N/P	1	CABINET
14	038618-000	2	BRACKET, HOLD
15	PD030029	2	SELF RETAINING NUT (1/4-20)
16	PD010027	2	EYE BOLT-VGSU101/161
17	PD020004	2	10X3/8PH.HD.TYPE 25 REPL PD040125



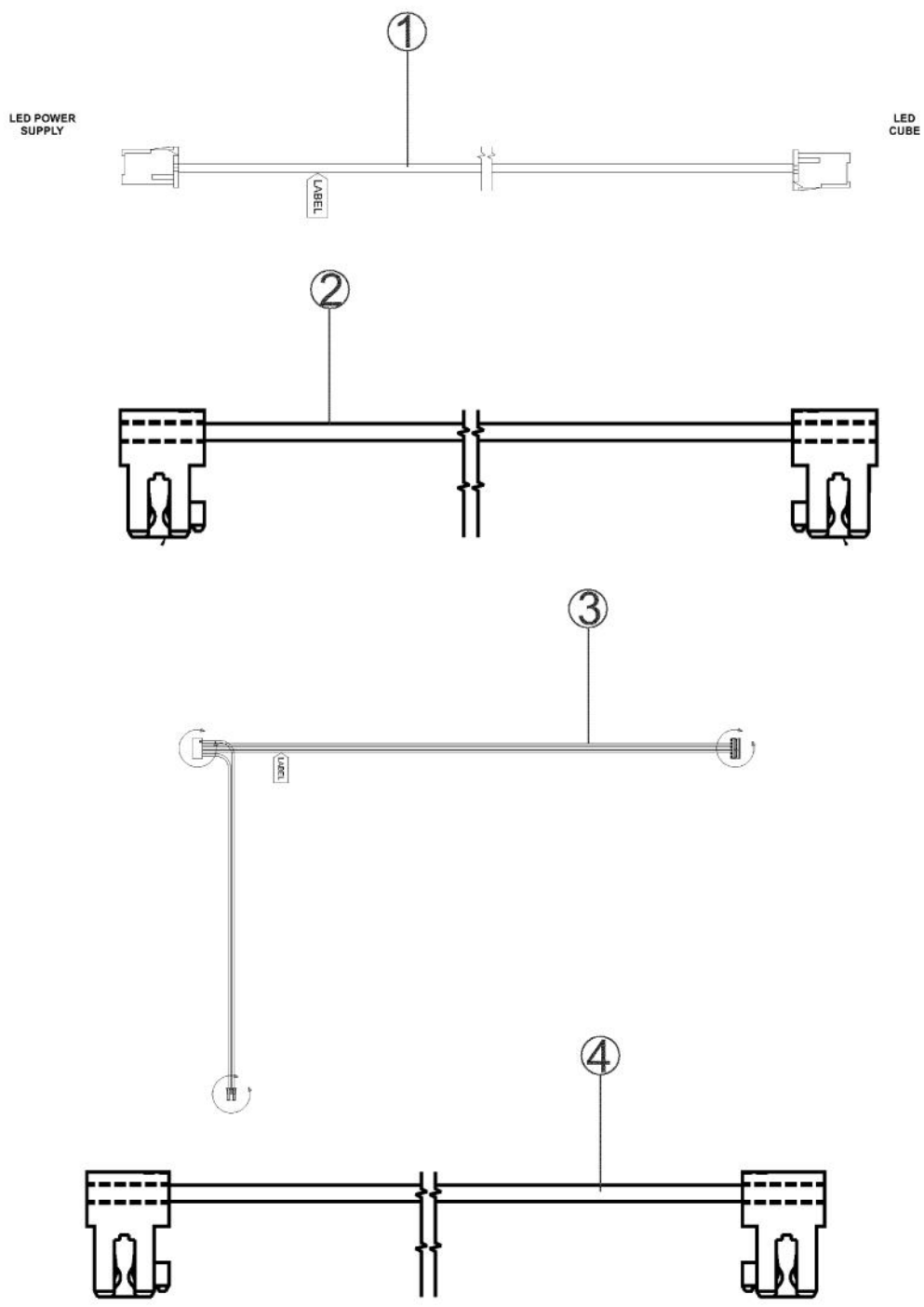
Ref #	Part Number	Qty.	Description
1	PE010142	1	3 LOGO XBKXXCHROME
2	043375-000	4	KNOB, INDUCTION, ASM
3	042417-000	1	TOP, ASM, INDUCTION, 30
4	PD030006	2	CAPPED WASHER PAL NUT
5	PD040117	4	10 MM WASHER
6	PD020062		NO.8-32 X 3/8 PHMS TYPE 1



Ref #	Part Number	Qty.	Description
1	041802-000	2	GENERATOR EGO G5
2	041803-000	4	INDUCTOR EGO 210
3	040189-000	1	CONDUIT CORD?
4	003592-000	1	CASED CORE
5	PE070231	1	TERMINAL BLOCK - 6 POLE (HEYCO)
6	003225-000	4	ROTARY INDUCTION CONTROL
7	043044-000	4	LIGHT, IND, HOT
8	PD020010		10 X 3/8 GREEN GROUNDING SCREW
9	003715-000	14	CONVERTER STANDOFF
10	003154-046	2	CONVERTER, INDUCTION
11	044045-000	1	SUPPLY, POWER, ELEC
12	051748-000	1	PCBA, FUSE. AC CHOKE
13	043750-000	1	LED, LIGHT, BOARD
14	M0104106	2	CLIP-CORD VM0104106
15	050786-000	1	TIE, CABLE, LOCKING, 2.5MM X 4, 18 LBS, 115C, BLK, PAND...
16	003148-000	12	LED STANDOFF
17	003591-000	2	STRAIN RELIEF
18	PD020061	2	NO.8 X 3/4 FLAT HD TEK. SS.



Ref #	Part Number	Qty.	Description
1	052303-000	1	HARN, VIC, GEN, 18 & FAMILY
2	046521-000	1	HARNESS, VIC, LED, IND, 18 & FAMILY
3	051870-000	1	HARN, VIC, GEN, 24 & FAMILY
4	046522-000	1	HARNESS, VIC, LED, IND, 30
NI	052536-000	1	HARN, VIC, PWR, GEN, 28



Ref #	Part Number	Qty.	Description
1	046530-000	1	HARNESS, VIC, LED, CUBE, 16
2	046525-000	1	HARNESS, VIC, LED, IND, 36
3	046531-000	4	HARNESS, VIC, INDUCTION, CONTROL
4	046524-000	1	HARNESS, VIC, LED, IND, 26
NI	046527-000	1	HARNESS, VIC, GEN, 30