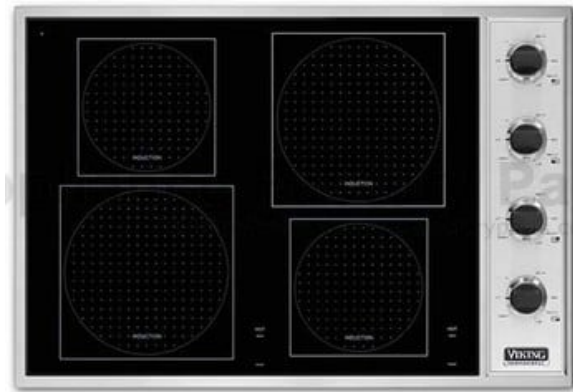


This Owner's Manual is provided and hosted by [Appliance Factory Parts](#).



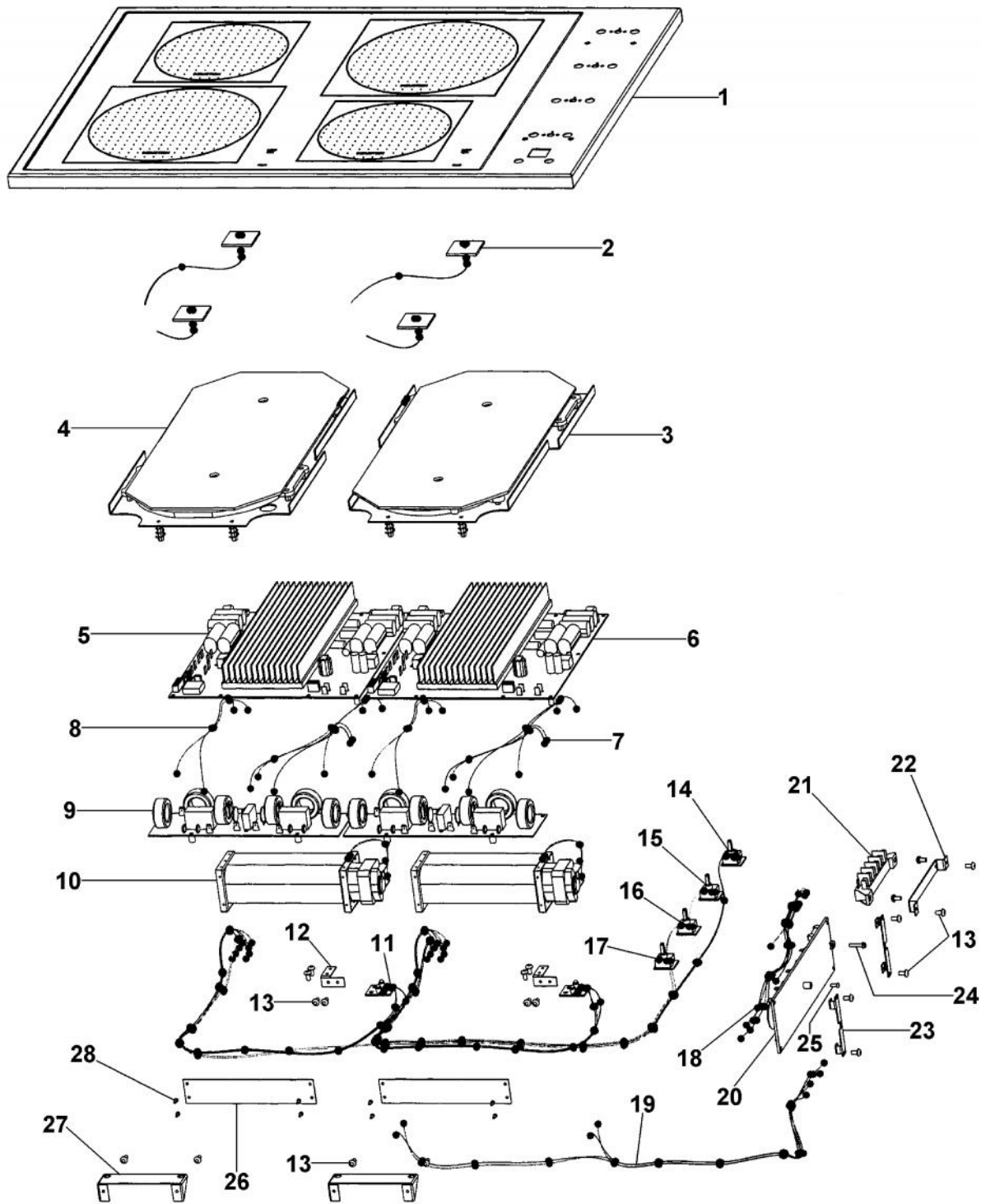
# VIKING VICU105 Owner's Manual

[Shop genuine replacement parts for VIKING VICU105](#)

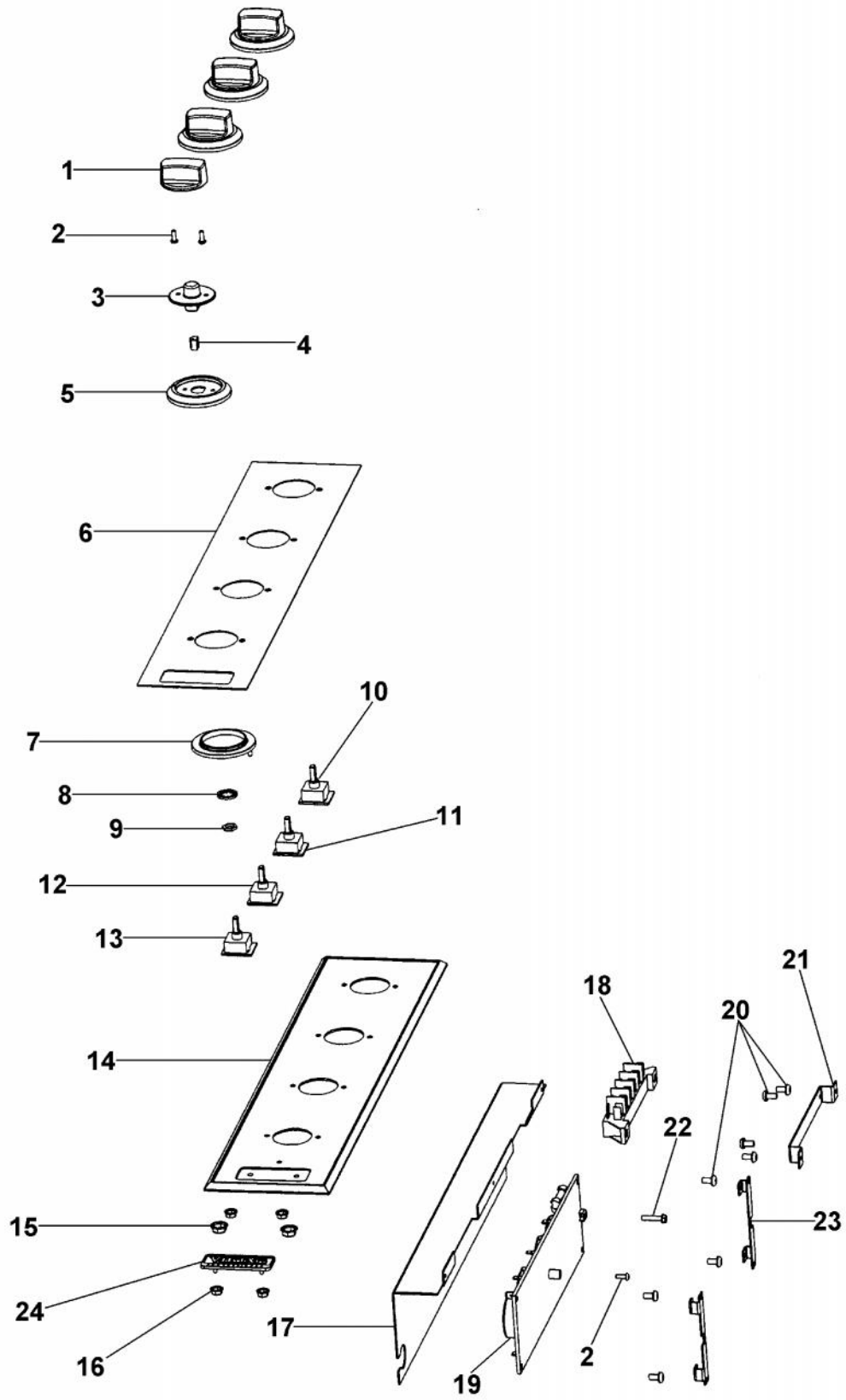


[Find Your VIKING Gas Range Parts - Select From 76 Models](#)

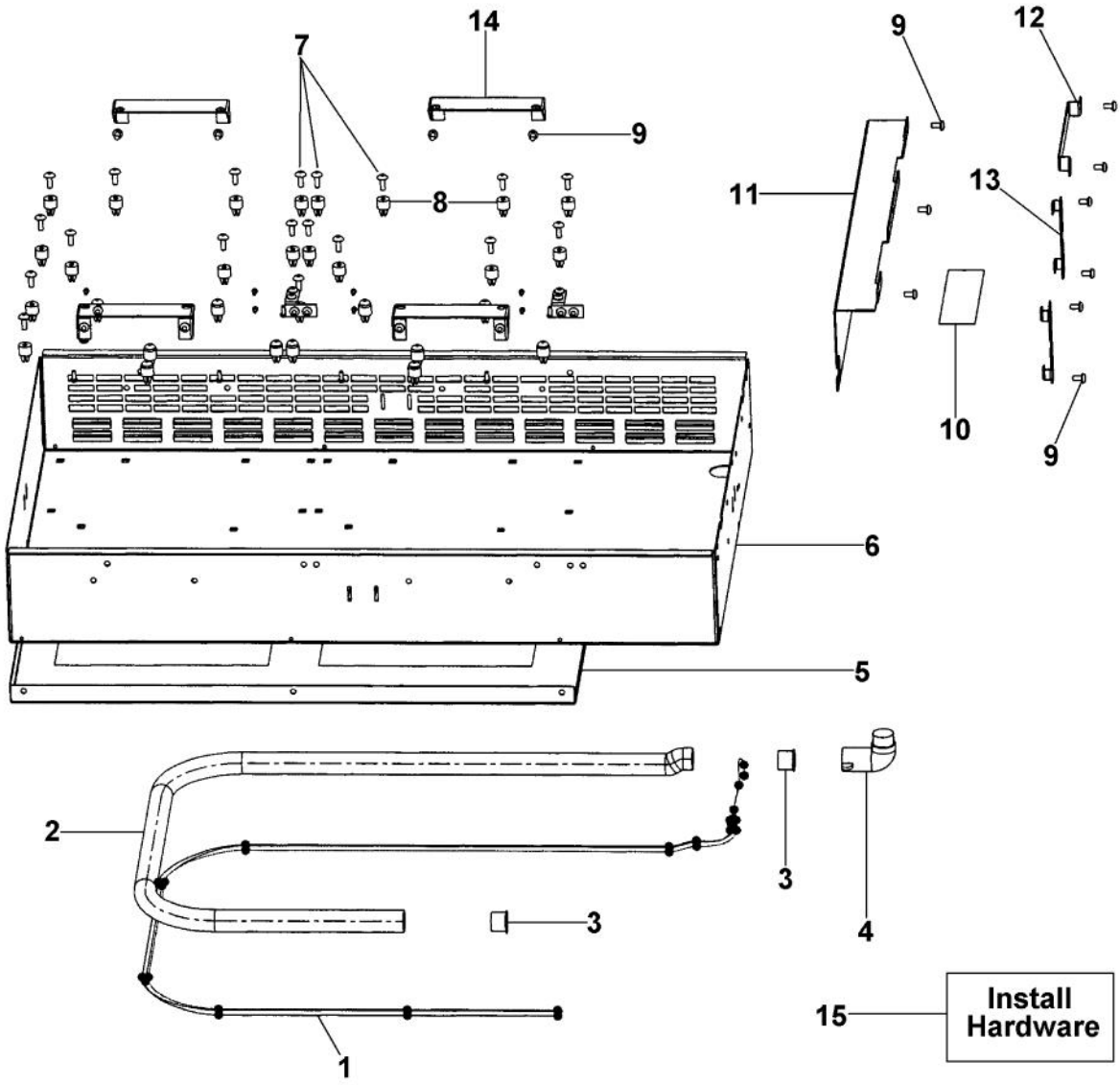
----- Manual continues below -----



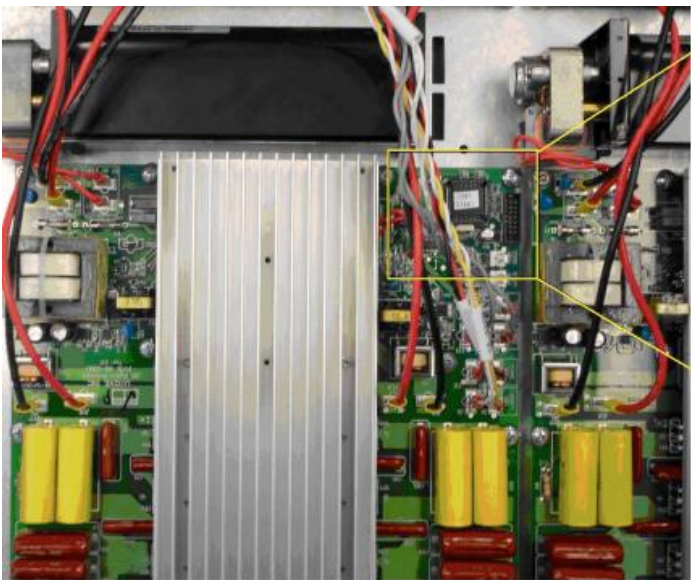
Ref #	Part Number	Qty.	Description
1	G50012150 G50012937		30 VICU TOP ASSY 30 VICU TOP ASSY (WHITE)
2	PE070761		INDUCTION THERMAL LIMITER
3	PE070688		ALL INDUCTION COIL TRAY ASSEMBLY
4	PE070689		ALL INDUCTION COIL TRAY ASSEMBLY
5	PE070681		LEFT & MIDDLE SECTION POWER BOARD
6	PE070596		ALL INDUCTION POWER BOARD
7	PE070692		EMI TO POWER HARNESS 1 (RED WIRE - 12` / BLACK WIRE - 13`)
8	PE070693		EMI TO POWER HARNESS 2 (RED WIRE - 9` / BLACK WIRE - 10`)
9	PE070597		ALL INDUCTION EMI BOARD
10	PE070635		VICU COOLING FAN
11	PE070519		INDUCTION LED ASSEMBLY
12	A20010645		INDUCTION LED BRACKET
13	PD020004		10X3/8PH.HD.TYPE 25 REPL PD040125
14	PE070768		POT ASSEMBLY-BLUE 54 (12-4503)
15	PE070767		POT ASSEMBLY-YELLOW 50 (12-4502)
16	PE070766		POT ASSEMBLY-GRAY 37 (12-4501)
17	PE070683		POT ASSY- WHITE 33 (12-4500)
18	PE070690		BLOCK TO CONDITIONER HARNESS
19	PE070764		CONDITIONER BOARD TO EMI BOARD HARNESS (VICU30) 6...
20	PE070627		VICU EMI FILTER
21	PE070231		TERMINAL BLOCK - 6 POLE (HEYCO)
22	A2005084		INDUCTION TERMINAL BOARD BRACKET
23	A20012988		BOARD MOUNTING BRACKET
24	PD020183		6 X 32 GREEN GROUNDING SCREW
25	PD020076		6-32 X 3/8 PHILL PAN MS
26	A10012995		FAN SHIELD
27	A2005077		COIL TRAY BRACKET
28	PD020013		TYPE AB NO.6 X 3/8 PH PAN HD. SMS
NI	PS000001		20 AMP FAST ACTING CERAMIC FUSE



Ref #	Part Number	Qty.	Description
1	PA010174		COOKTOP KNOB BLACK
1	PA010175		COOKTOP KNOB (WHITE)
1	036415-000		KNOB, BODY VGSU CR3
2	PD020076		6-32 X 3/8 PHILL PAN MS
3	PA010180		VCCU KNOB MOUNT CORE
4	PC010007		KNOB SPRING (GOLD CORE KNOBS)
5	PB010263		UPPER BEZEL
5	PB010263PVD		UPPER BEZEL BRASS (BLACK)
6	PE040257		VICU 30 CONTROL PANEL INLAY
6	PE040270		VICU 30 CONTROL PANEL INLAY WHITE GRAPHICS
7	PB010262		LOWER BEZEL
8	PD040117		10 MM WASHER
9	PD030114		INDUCTION CONTROL NUT
10	PE070768		POT ASSEMBLY-BLUE 54 (12-4503) (INC. HARNESS)
11	PE070767		POT ASSEMBLY-YELLOW 50 (12-4502) (INC. HARNESS)
12	PE070766		POT ASSEMBLY-GRAY 37 (12-4501) (INC. HARNESS)
13	PE070683		POT ASSY- WHITE 33 (12-4500) (INC. HARNESS)
14	PE040253		VECU 30 CONTROL PANEL
14	PE040253PVD		VECU 30 CONTROL PANEL XPVDX
15	PD030137		CAPPED WASHER PAL NUT
16	PD030006		CAPPED WASHER PAL NUT
17	B20012989		BOARD SHIELD
18	PE070231		TERMINAL BLOCK - 6 POLE (HEYCO)
19	PE070627		VICU EMI FILTER
20	PD020004		10X3/8PH.HD.TYPE 25 REPL PD040125
21	A2005084		INDUCTION TERMINAL BOARD BRACKET
22	PD020183		6 X 32 GREEN GROUNDING SCREW
23	A20012988		BOARD MOUNTING BRACKET
24	PE010165		VIKING CHROME PLATE LOGO
24	PE010166		VIKING LOGO BRASS
24	PE010176		2.5 WHITE CHROME LOGO
24	PE010177		2.5 WHITE BRASS LOGO



Ref #	Part Number	Qty.	Description
1	PE070562		RED WIRE (8 GA. SF-2 200 DEG.C 600V)
1	PE070563		BKX WIRE (8 GA.SF-2 200DEG.C600V)
1	G4003016		GREEN - SUPPLY WIRE
2	PB020071		CONDUIT - FLEXIBLE (48)
3	PD040034		CONDUIT GROMMET (1/2)
4	PB040070		CONDUIT FITTING (90 DEG)
5	A20012697		VICU30 BOTTOM COVER
6	A30012696		VICU30 BOX
7	PD010003		10-24 X 1/2 PH.TR.HD.SERD.M.S.
8	PD030033		GROMMET NUT-ROUND HD. NO.8 X .500DIA.
9	PD020004		10X3/8PH.HD.TYPE 25 REPL PD040125
10	PE020047		RATING LABEL
11	B20012989		BOARD SHIELD
12	A2005084		INDUCTION TERMINAL BOARD BRACKET
13	A20012988		BOARD MOUNTING BRACKET
14	A2005077		COIL TRAY BRACKET
15	G50010684		30 MOUNTING HARDWARE



Ref #	Part Number	Qty.	Description
-------	-------------	------	-------------

---