

This Owner's Manual is provided and hosted by [Appliance Factory Parts](#).



VIKING

VIFB304JMAG-RSERIES

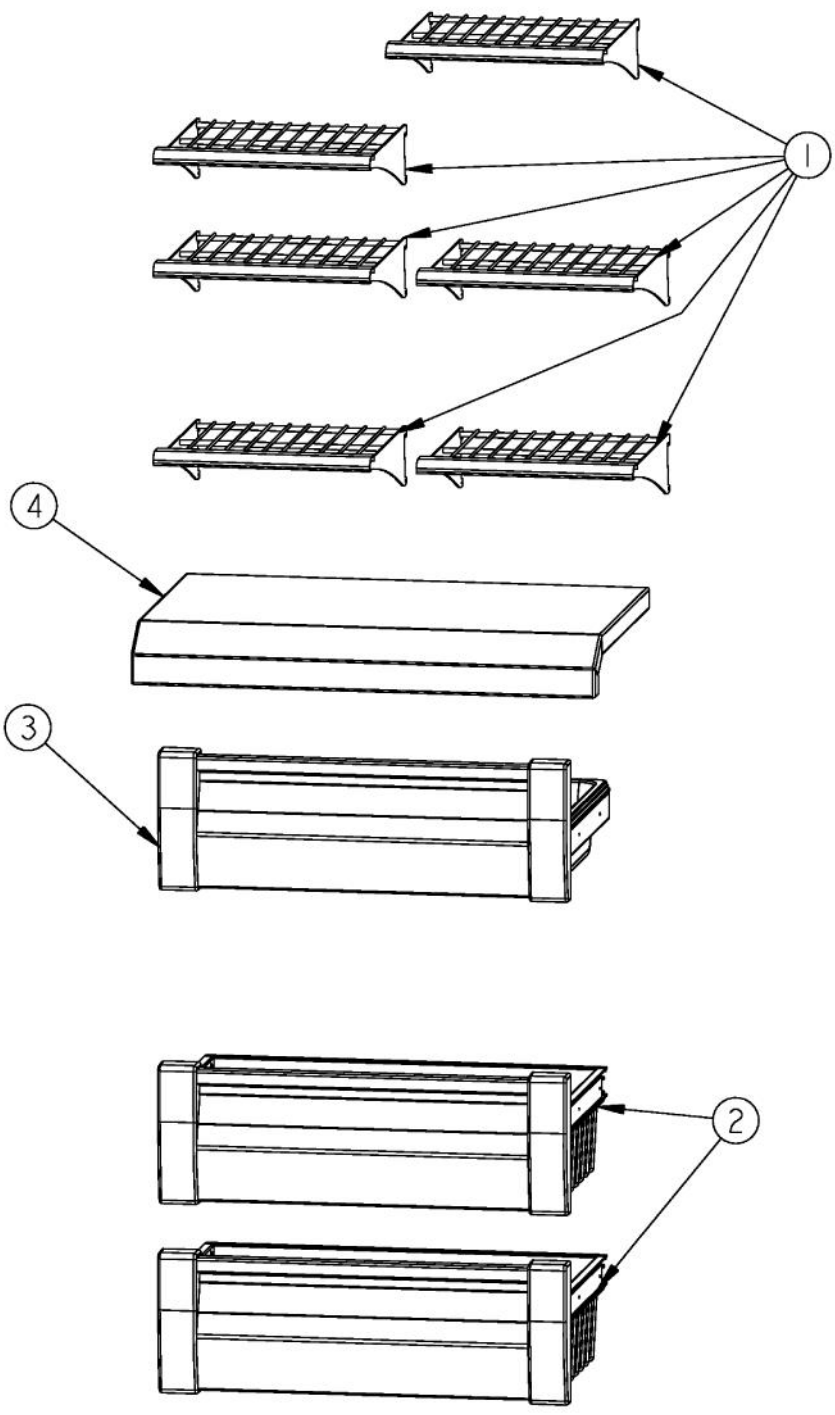
Owner's Manual

[Shop genuine replacement parts for VIKING
VIFB304JMAG-RSERIES](#)

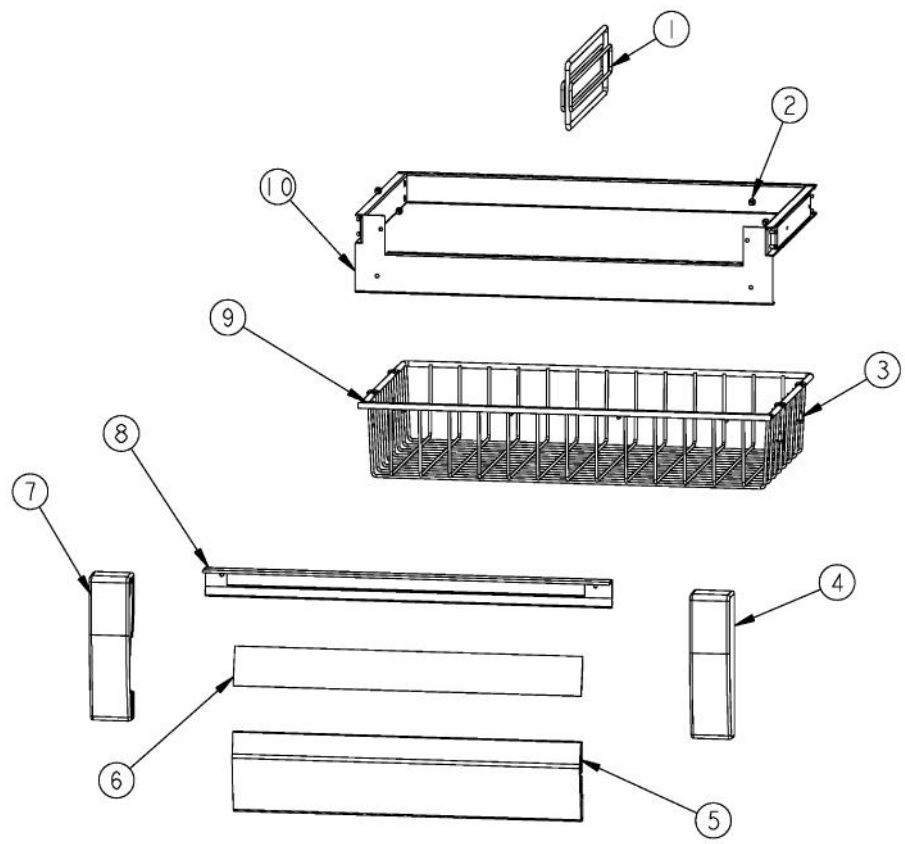


[Find Your VIKING Refrigerator Parts - Select From 341 Models](#)

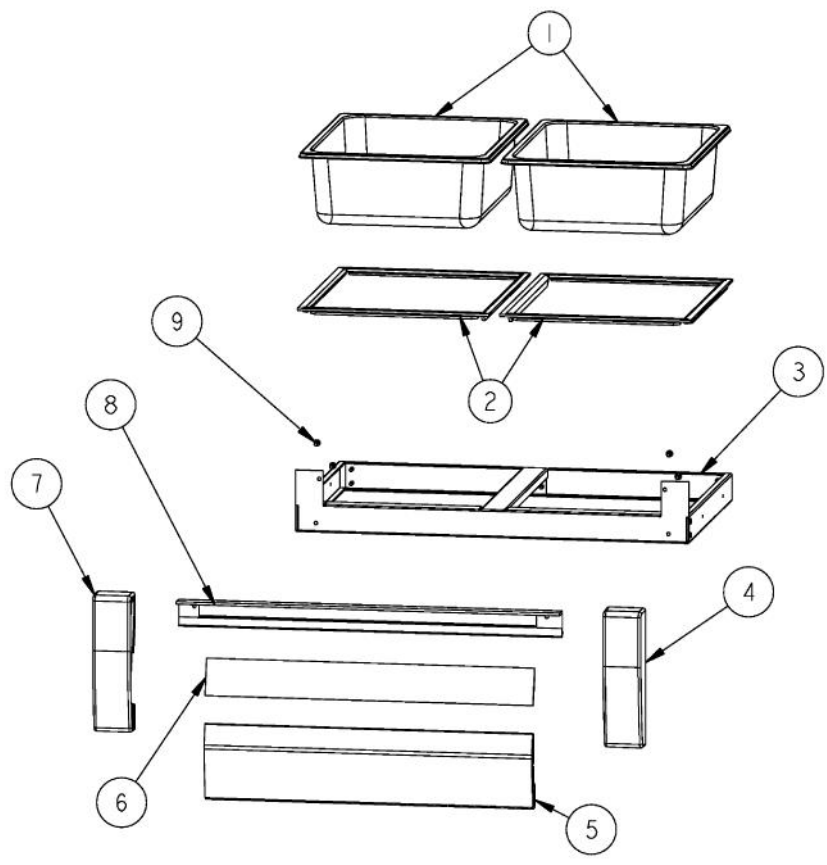
----- Manual continues below -----



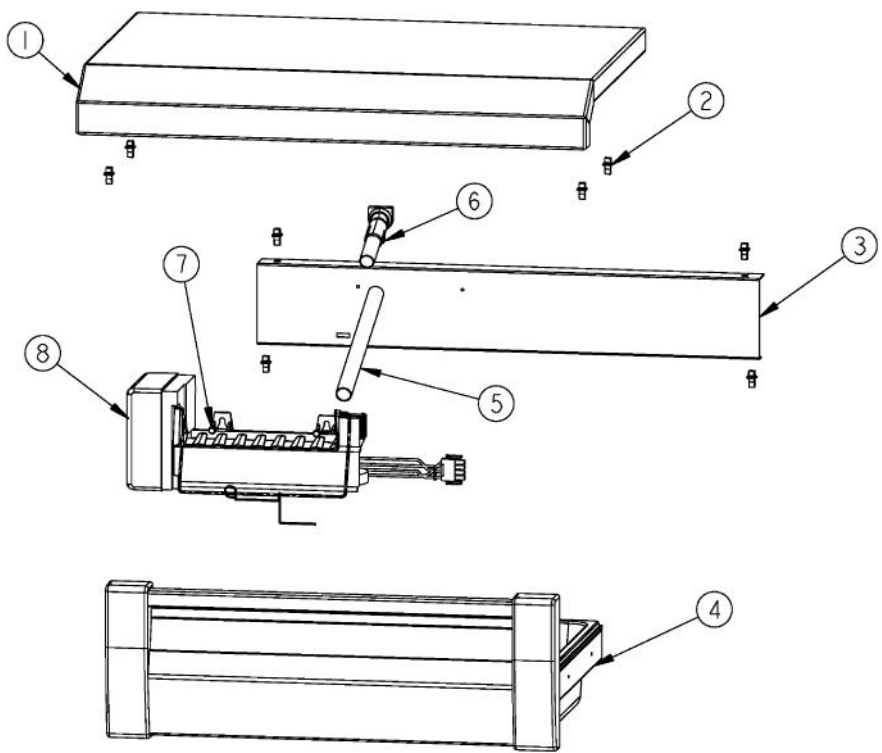
Ref #	Part Number	Qty.	Description
1	PM910405		SHELF WIRE AF 30
2	G50911315		DRAWER BASKET ASM AF 30 FOR BREAKDOWN SEE PAGE 002
3	G50911316		DRAWER ICE ASM AF 30 FOR BREAKDOWN SEE PAGE 003
4	G50911931		SHELF ICE ASM UPPER AF 30 FOR BREAKDOWN SEE PAGE 004



Ref #	Part Number	Qty.	Description
1	PM910439		DIVIDER BASKET WIRE AF 36
2	PD920161		SCR 8-16 PLASTITE PNP 3/8 S
3	PD020194		SCREW-SM
4	PK930316		ENDTRIM ICE DRAWER R
5	PK920061		EXTRUSION DRAWER FRONT AF 30
6	PE940233		GLASS DRAWER ICE AF 30
7	PK930317		ENDTRIM ICE DRAWER L
8	PK920060		EXTRUSION DRAWER CAP AF 30
9	PM910402		BASKET WIRE AF 30
10	G90911313WH		FRAME BASKET DRAWER ASM AF 30 XWHX
NI	G50911315		DRAWER BASKET ASM AF 30 (INCLUDES ITEMS 1 THROUGH 10)

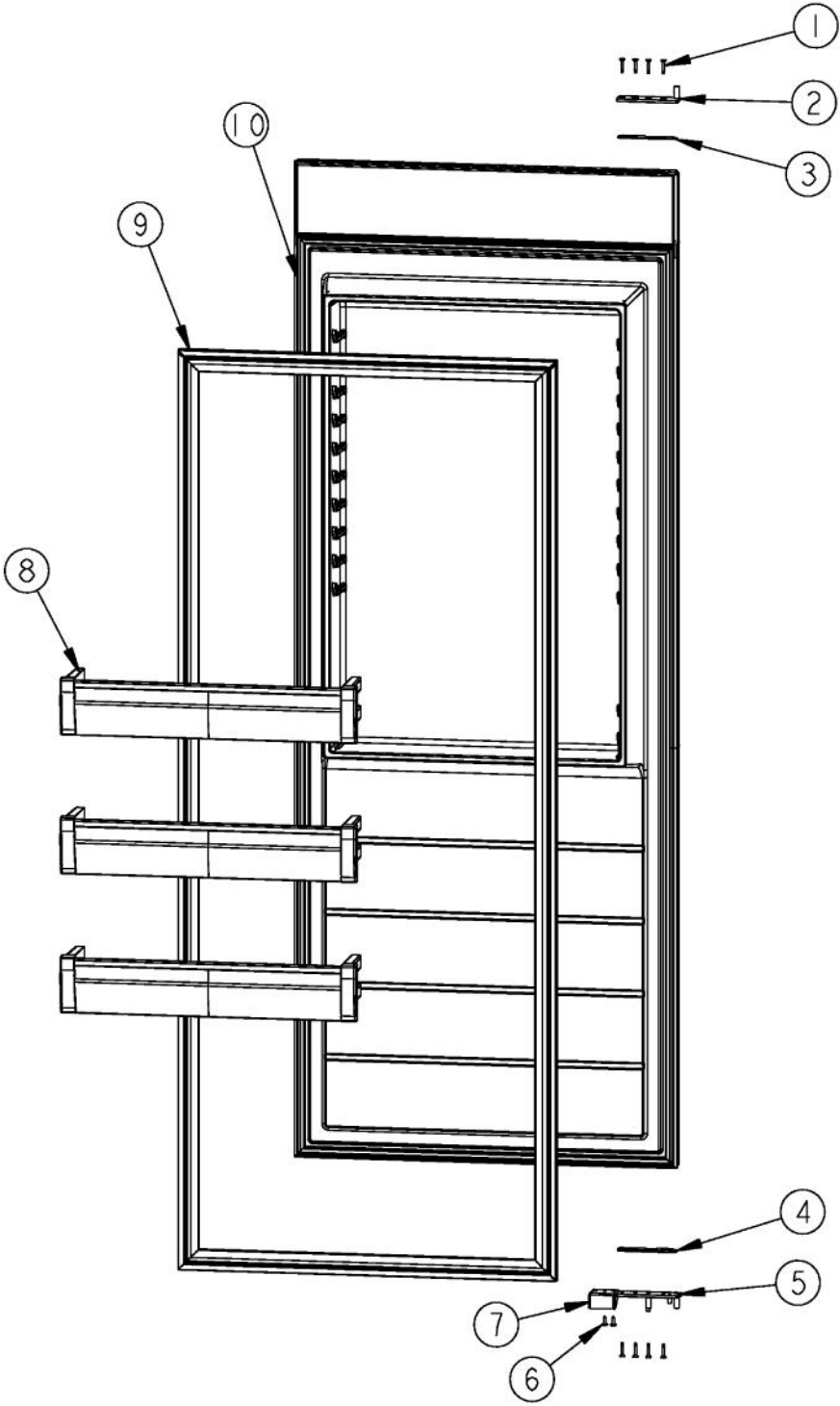


Ref #	Part Number	Qty.	Description
1	PM910461		PAN ICE AF 36 30
2	PB970211		GASKET FRAME AF 30 & 36
3	G90911314WH		FRAME ICE DRAWER ASM AF 30 XWHX
4	PK930316		ENDTRIM ICE DRAWER R
5	PK920061		EXTRUSION DRAWER FRONT AF 30
6	PE940233		GLASS DRAWER ICE AF 30
7	PK930317		ENDTRIM ICE DRAWER L
8	PK920060		EXTRUSION DRAWER CAP AF 30
9	PD920161		SCR 8-16 PLASTITE PNP 3/8 S
NI	G50911316		DRAWER ICE ASM AF 30 (INCLUDES ITEMS 1 THROUGH 9)

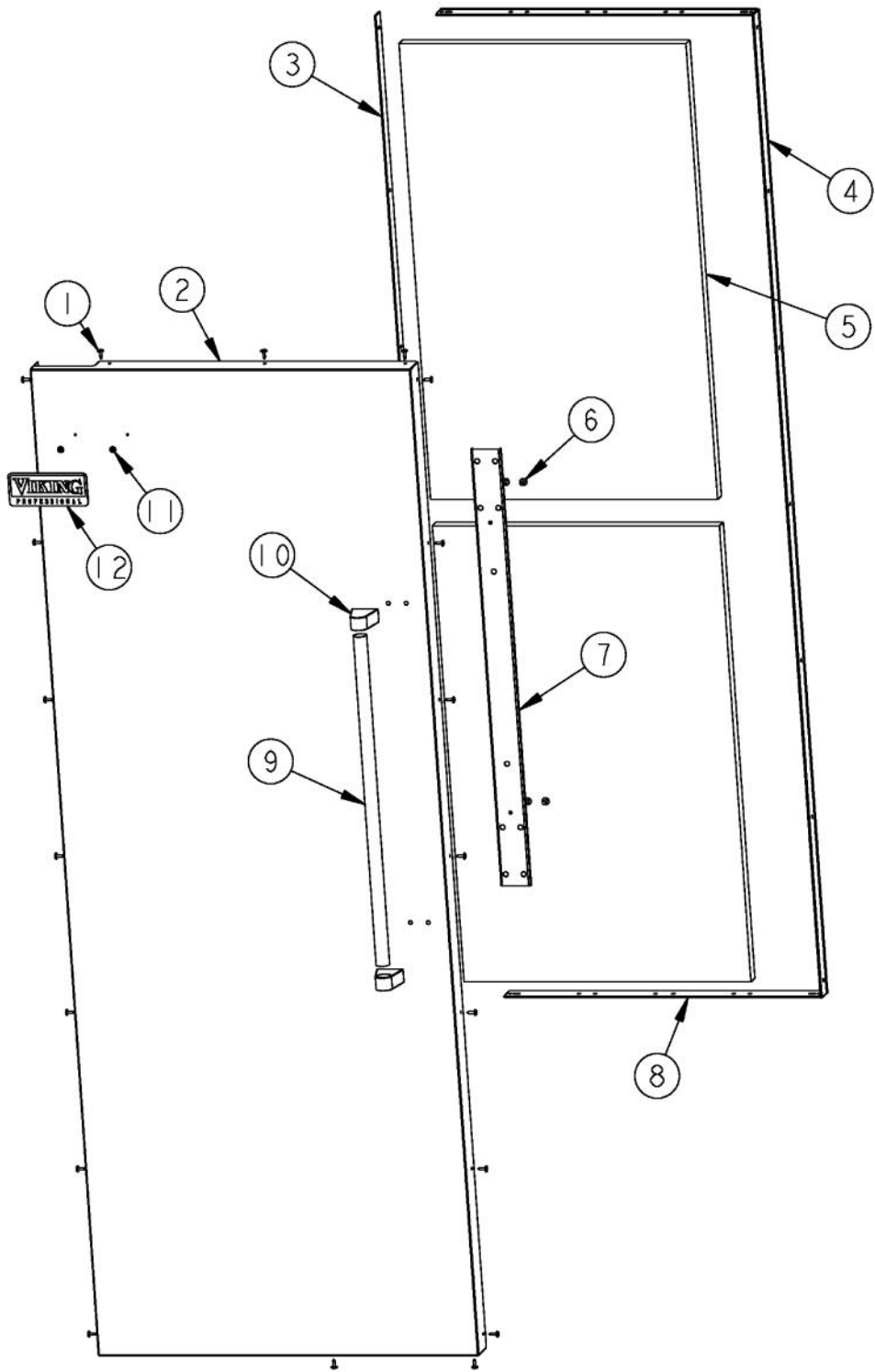


Ref #	Part Number	Qty.	Description
1	C90911930		ASM PAINT SHELF COVER AF 36
2	PD950012		STRIKE PANEL ACCESS
3	C90911142WH		PLATE IN MOUNT AF 30 XWHX
4	G50911316		DRAWER ICE ASM AF 30 FOR BREAKDOWN SEE PAGE 003
5	A3127415		EXT-FILL TUBE
6	G5096419		FILL TUBE ASSY 10942511
7	PD020194		SCREW-SM
8	002252-000		ICE MAKER
NI	G50911931		SHELF ICE ASM UPPER AF 30 (INCLUDES ITEMS 1 & 2)

Ref #	Part Number	Qty.	Description
1	L2099492		BRACKET LIGHT SXS 48 FF
2	A3079001		LAMP - 40W
3	PK930268		COVER LIGHT ASM AF AR 30 SXS 48 FF
4	L2099055		EVAP COVER UPPER AF 30
5	PM910285		LADDER CENTER
6	M0238535		SCREW-SM
7	K20911929		BRACKET ICE SHELF R
8	C90910784WH		COVER SIDE ASM XWHX
9	L20911932		COVER EVAP LOWER AF 30
10	C8983701		THERMISTOR
11	C90911142WH		PLATE IN MOUNT AF 30 XWHX
12	M0211014		SCREW-SM
13	PE950125		LIGHT SOCKET
14	B5733302		CLIP-GROUND
15	10270203		HOUSING-LIGHT V10270203
16	PD020032		SRW-8(A)X3/8PH.WFR HD 7/16DIAXNICL
17	G90911311		BRKT SIDE GLIDE MOUNT -WH
18	PD950012		STRIKE PANEL ACCESS
19	PD950013		LATCH PANEL ACCESS
20	PC080031		SLIDE 12 FULL EXTENSION
21	K20911928		BRACKET ICE SHELF L
22	PM910282		LADDER SIDE
23	PD020194		SCREW-SM

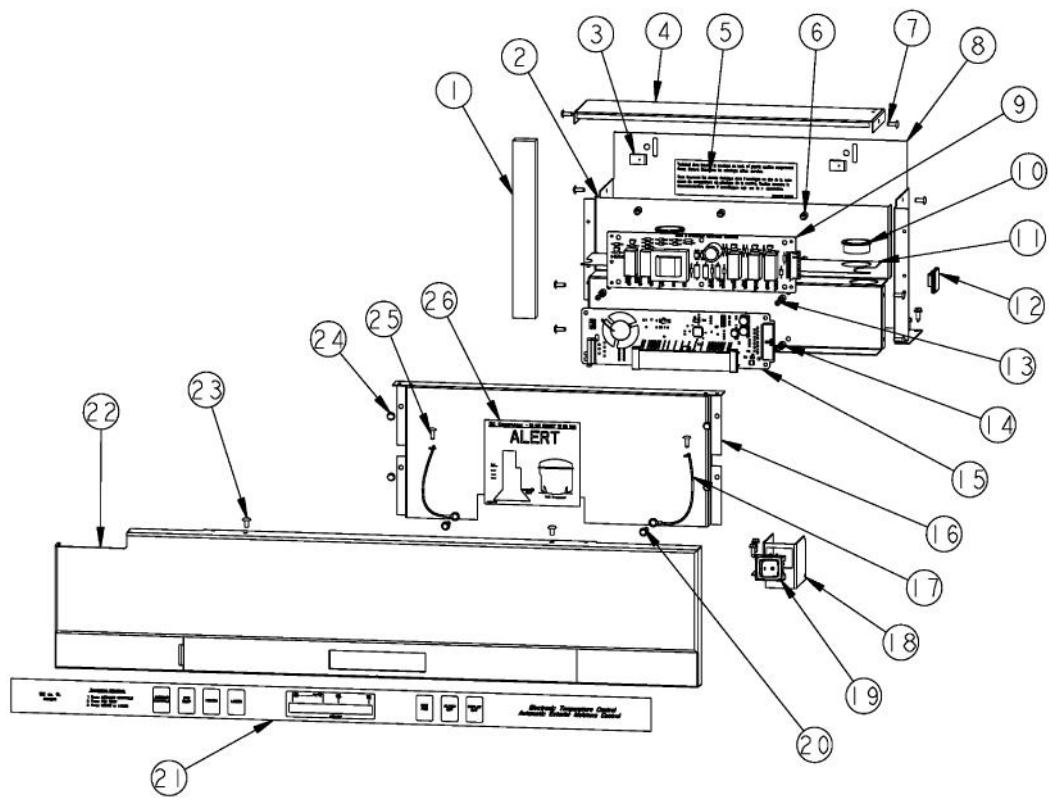


Ref #	Part Number	Qty.	Description
1	PD920174		10-32 TORX HEAD SCREW
2	PC020279		PIVOT PL ASM LH UP PRO/DES
	PC020278		PIVOT PL ASM RH UP PRO/DES
3	PD040162		SPACER-DOOR HINGE
4	001617-000		SPACER,NYL,PIVOT PLATE
5	PC020277		PIVOT PL ASM LH LW PRO/DES
	PC020276		PIVOT PL ASM RH LW PRO/DES
6	M0210458		SCREW-SM
7	PD050019		STRIKER DOOR SWITCH
8	G5099904		DOORBIN ASM AF 30
9	PB070333	1	DOOR GASKET 30AR 30AF (BEFORE 06-10-08)
9	005448-000		GASKET,ASM,30,AFAR (ON OR AFTER 06-10-08)
10	G32915042		DOOR ASM AF 30 (INCLUDES GASKET)

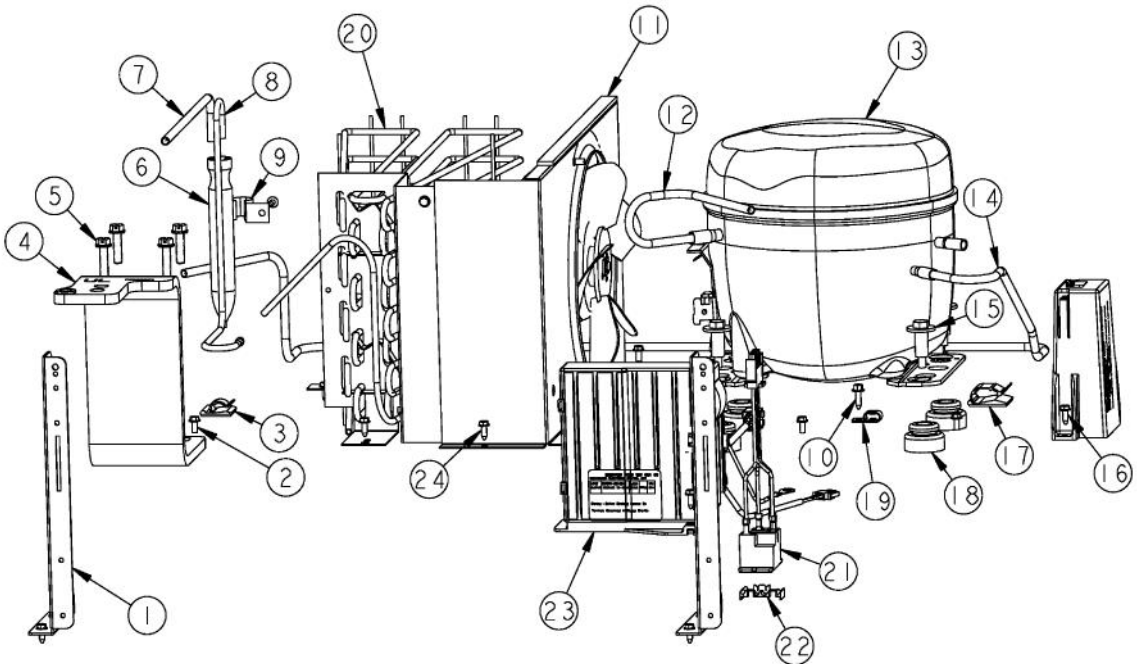


Ref #	Part Number	Qty.	Description
1	M0210458		SCREW-SM
2	003617-000		SKIN,DOOR, AF AR 30 PROI R SS
	003618-006WH		DOOR SKIN - RIGHT HINGE (WH)
	003618-007AL		DOOR SKIN - RIGHT HINGE (AL)
			(BEFORE 01/01/08)
	003618-003BT		DOOR SKIN - RIGHT HINGE (BT)
			(BEFORE 01/01/08)
	003618-014EP		DOOR SKIN - RIGHT HINGE (EP)
			(BEFORE 01/01/08)
	003618-011FG		DOOR SKIN - RIGHT HINGE (FG)
			(BEFORE 01/01/08)
	003618-002BK		DOOR SKIN - RIGHT HINGE (BK)
	003618-008BU		DOOR SKIN - RIGHT HINGE (BU)
	003618-013CB		DOOR SKIN - RIGHT HINGE (CB)
	003618-005GG		DOOR SKIN - RIGHT HINGE (GG)
	003618-004SG		DOOR SKIN - RIGHT HINGE (SG)
	003618-012VB		DOOR SKIN - RIGHT HINGE (VB)
	003618-024AR		DOOR SKIN - RIGHT HINGE (AR)
			(AFTER 01/01/08)
	003618-016CH		DOOR SKIN - RIGHT HINGE (CH)
			(AFTER 01/01/08)
	003618-018CW		DOOR SKIN - RIGHT HINGE (CW)
			(AFTER 01/01/08)
	003618-020GM		DOOR SKIN - RIGHT HINGE (GM)
			(AFTER 01/01/08)
	003618-023IB		DOOR SKIN - RIGHT HINGE (IB)
			(AFTER 01/01/08)
	003618-027MS		DOOR SKIN - RIGHT HINGE (MS)
			(AFTER 01/01/08)
	003618-019OG		DOOR SKIN - RIGHT HINGE (OG)
			(AFTER 01/01/08)
	003618-015PL		DOOR SKIN - RIGHT HINGE (PL)
			(AFTER 01/01/08)
	003618-026PM		DOOR SKIN - RIGHT HINGE (PM)
			(AFTER 01/01/08)
	003618-025RR		DOOR SKIN - RIGHT HINGE (RR)
			(AFTER 01/01/08)
	003618-021SA		DOOR SKIN - RIGHT HINGE (SA)
			(AFTER 01/01/08)
	003618-022SE		DOOR SKIN - RIGHT HINGE (SE)
			(AFTER 01/01/08)
	003618-017TP		DOOR SKIN - RIGHT HINGE (TP)
			(AFTER 01/01/08)
	003622-000		SKIN,DOOR,AF AR 30 PROI L SS
	003628-006WH		DOOR SKIN - LEFT HINGE (WH)
	003628-007AL		DOOR SKIN - LEFT HINGE (AL)
			(BEFORE 01/01/08)
	003628-003BT		DOOR SKIN - LEFT HINGE (BT)
			(BEFORE 01/01/08)
	003628-014EP		DOOR SKIN - LEFT HINGE (EP)
			(BEFORE 01/01/08)
	003628-011FG		DOOR SKIN - LEFT HINGE (FG)
			(BEFORE 01/01/08)
	003628-002BK		DOOR SKIN - LEFT HINGE (BK)
	003628-008BU		DOOR SKIN - LEFT HINGE (BU)
	003628-013CB		DOOR SKIN - LEFT HINGE (CB)
	003628-005GG		DOOR SKIN - LEFT HINGE (GG)
	003628-004SG		DOOR SKIN - LEFT HINGE (SG)
	003628-012VB		DOOR SKIN - LEFT HINGE (VB)
	003628-024AR		DOOR SKIN - LEFT HINGE (AR)

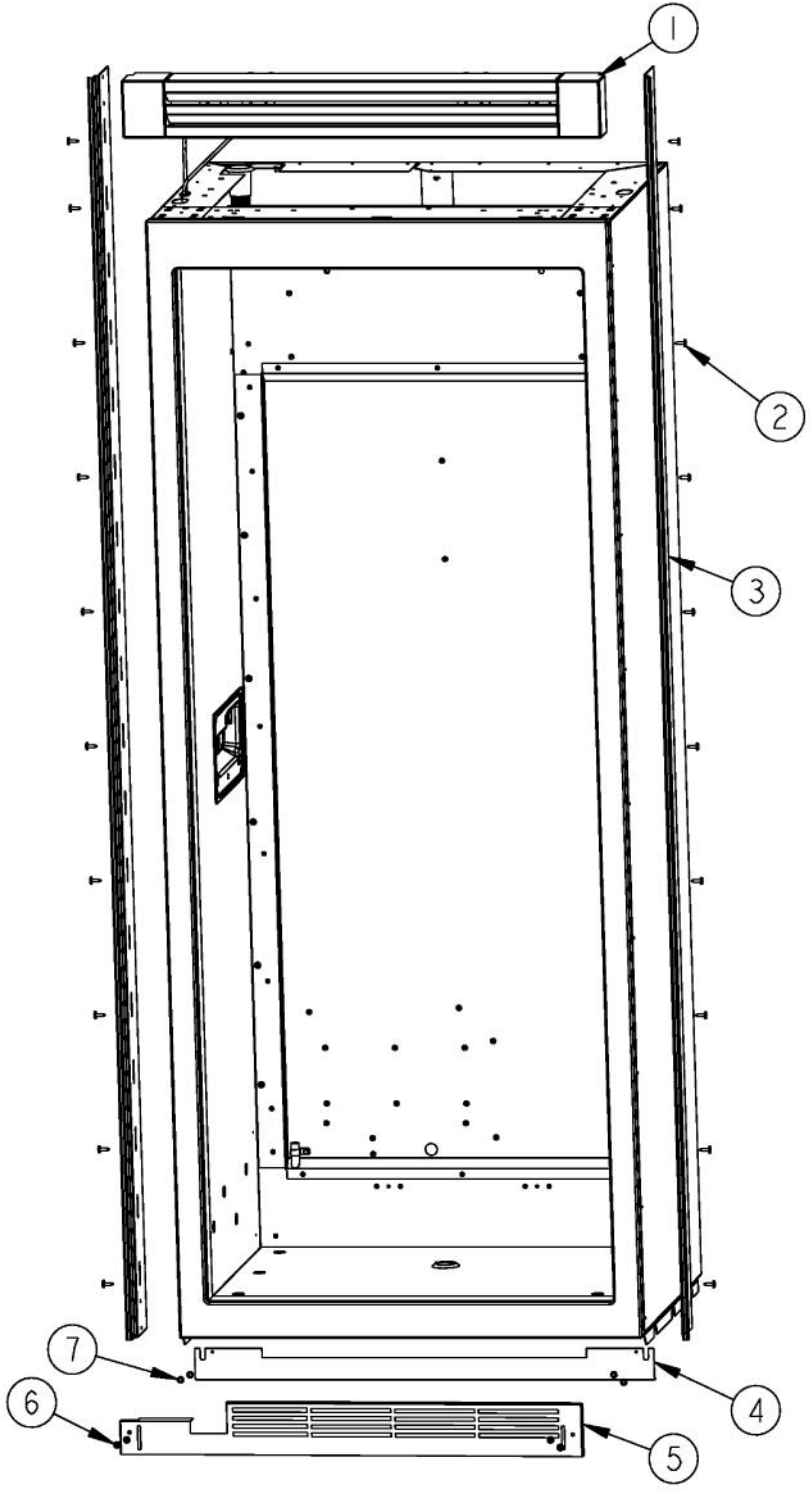
Ref #	Part Number	Qty.	Description
	003628-024AR		DOOR SKIN - LEFT HINGE (AR) (AFTER 01/01/08)
	003628-016CH		DOOR SKIN - LEFT HINGE (CH) (AFTER 01/01/08)
	003628-018CW		DOOR SKIN - LEFT HINGE (CW) (AFTER 01/01/08)
	003628-020GM		DOOR SKIN - LEFT HINGE (GM) (AFTER 01/01/08)
	003628-023IB		DOOR SKIN - LEFT HINGE (IB) (AFTER 01/01/08)
	003628-027MS		DOOR SKIN - LEFT HINGE (MS) (AFTER 01/01/08)
	003628-019OG		DOOR SKIN - LEFT HINGE (OG) (AFTER 01/01/08)
	003628-015PL		DOOR SKIN - LEFT HINGE (PL) (AFTER 01/01/08)
	003628-026PM		DOOR SKIN - LEFT HINGE (PM) (AFTER 01/01/08)
	003628-025RR		DOOR SKIN - LEFT HINGE (RR) (AFTER 01/01/08)
	003628-021SA		DOOR SKIN - LEFT HINGE (SA) (AFTER 01/01/08)
	003628-022SE		DOOR SKIN - LEFT HINGE (SE) (AFTER 01/01/08)
	003628-017TP		DOOR SKIN - LEFT HINGE (TP) (AFTER 01/01/08)
3	PD940087		SPACER DOOR SKIN-HINGE SIDE (75.1) (LH MODELS)
	PE940176		TRIM - DOOR SXS PRO SIDES (RH MODELS)
4	PE940176		TRIM - DOOR SXS PRO SIDES (LH MODELS)
	PD940087		SPACER DOOR SKIN-HINGE SIDE (75.1) (RH MODELS)
5	PM910068		FOAM, DOOR SKIN (SXS)
6	M0204303		SCREW-MACH
7	K2097526		BRACKET - HANDLE SUPPORT
8	PK030556		TRIM DOOR BULLNOSE 30 TOP/BOT
9	PE930101		VCSB482 HANDLE -(12466403)
	PE030012PVD		DOOR HANDLE - RH - (30/48) PVD
10	000268-000		HANDLE END CAP ASSY
	PE030001PVD		END CAP DOOR HANDLE XBR
11	PD030006		CAPPED WASHER PAL NUT
12	PE010030		LOGO, 6, PRO, BK
	PE010068		LOGO, 6, PRO, BK/BR
	PE010031		LOGO 6 (VGRC) XBK/WHX
	PE010076		LOGO 6 (VGRC) XBR/WHX



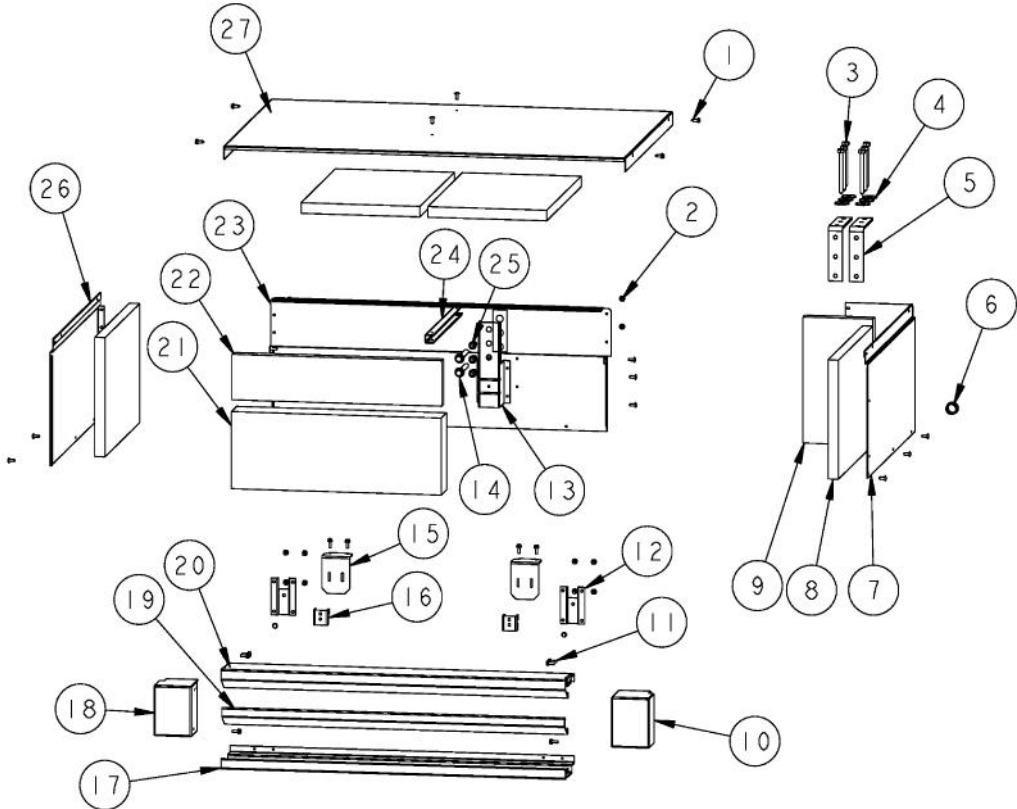
Ref #	Part Number	Qty.	Description
1	A3030361		GASKET, RED
2	K20910060		BRACKET - PC
3	M0288120		NUT-SPEED, VM0288120
4	K20915000		CONTROL BOX TOP
5	PF930487		TECH LITERATURE LABEL - 2
6	M0585504		SUPPORT
7	PC040010		POP RIVET
8	K2099402		CONTROL BOX
9	PE970463		POWER CONTROL BOARD
10	A4554817		BUSHING-SNAP VA4554817
11	PM910325		FILM PROTECTIVE
12	M0104106		CLIP-CORD VM0104106
13	PD020013		TYPE AB NO.6 X 3/8 PH PAN HD. SMS
14	M0585506		SUPPORT
15	PE070728		BOARD LOW VOLTAGE
16	K20910061		CONTROL BOX FRONT
17	12064001		SUPP-CONT PANEL
18	K2098654		BRACKET SWITCH POWER
19	PE950149		SWITCH POWER
20	M0238846		SCREW-SHLDR
21	PE950182		OVERLAY SWITCH AF 30
22	PK930220		PANEL COVER CONTROL
	PK930332		PANEL CONTROL AF 30 R
23	M0224128		SCREW-SM
24	PD020194		SCREW-SM
25	PC040010		POP RIVET
26	PF930672		LABEL DC COMPRESSOR



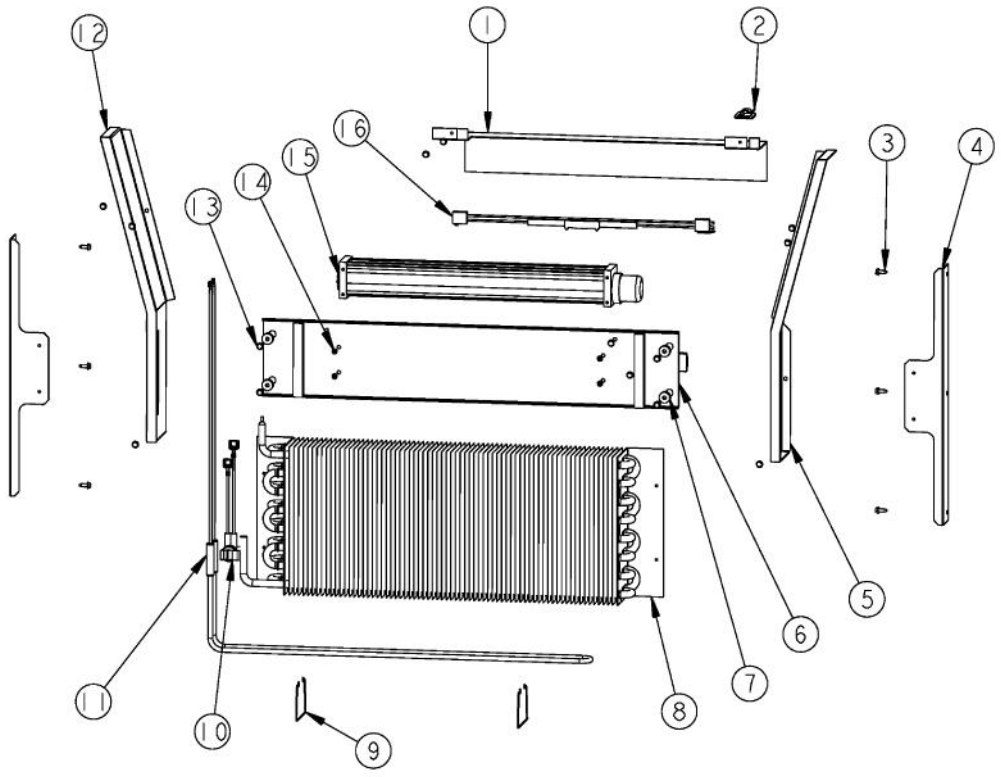
Ref #	Part Number	Qty.	Description
1	K20912569		BRACKET GRILLE SUPPORT
2	PD020010		10 X 3/8 GREEN GROUNDING SCREW
3	M0104106		CLIP-CORD VM0104106
4	PC920204		HINGE ASM UL
	PC920203		HINGE ASM UR
5	000570-000		HEX SCREW
6	10743201		DRIER, HI SIDE
7	F2097740		TUBE PROCESS
8	F2096669		TUBE-DRIER COND
9	10547001		CLIP-DRIER V10547001
10	PD020195		SCR 8-18 X 5/8
11	G5096494		COND. FAN ASSY
12	F2096507		TUBE-PROCESS GRN
13	G5097976		COMPRESSOR ASSEMBLY (363 AND 483) (INCLUDES DRIER)
14	F20910729		TUBE DISCHARGE FORMED AF AR 36
15	M0221523		SCREW - SHLDR
16	PE970608		POWER SUPPLY 24 VDC 15 W
17	M0104102		CLIP-CORD RED
18	10835901		GROMMET RUBBER V10835901
19	002573-000		CLAMP CORD
20	PB920171		CONDENSER ASM
21	G50915958		ASM AR SABBATH MODE RELAY
22	M0327801		SPLICE TAP
23	PE070849		INVERTER
24	PD020194		SCREW-SM



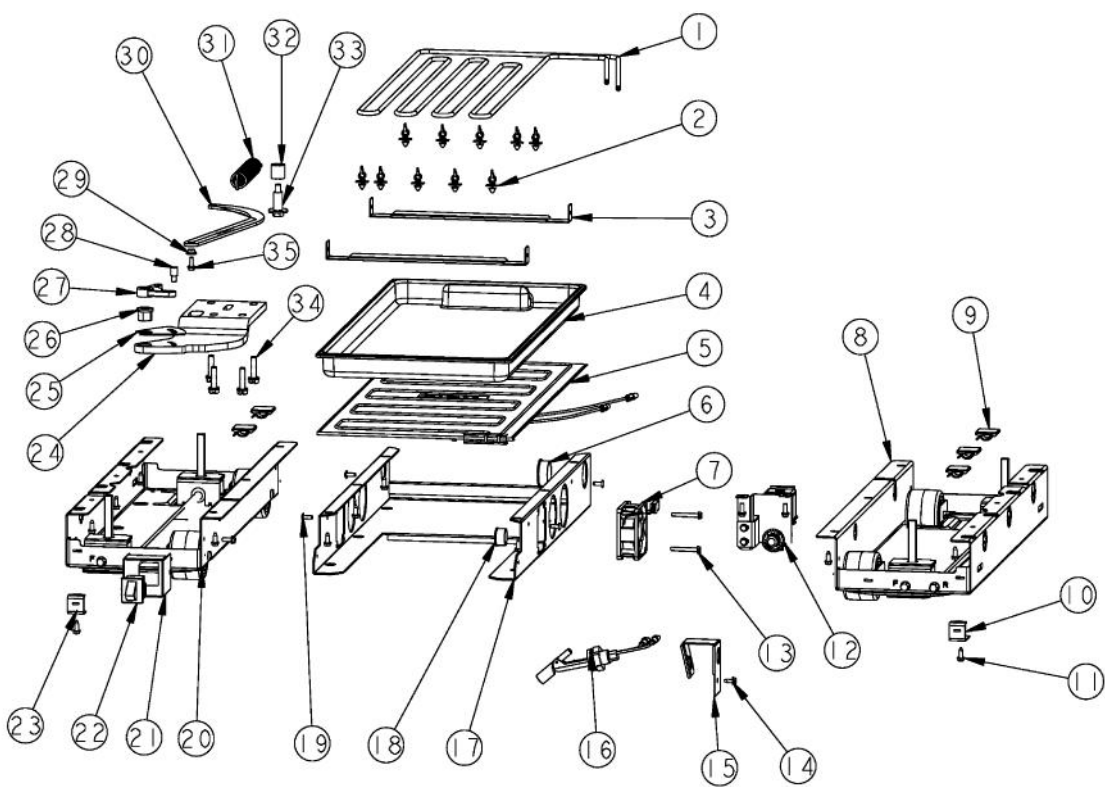
Ref #	Part Number	Qty.	Description
1	002877-000 002841-000		COMPLETE GRILLE ASSEMBLY - LEFT HINGE GRILLE,ASM,AR AF 30 PROI R (FOR BREAKDOWN SEE PAGE 011)
2	M0215318		SCREW-SM
3	PK920066		SIDE TRIM
4	000206-002		KICKPLATE, LWR
5	C90910725BK C90910758BK		VENTED TOE GRILLE (LEFT HINGE) GRILLE TOE VENTED 30 R XBKX
6	M0210443		SCREW-E SM
7	40370P01		NYLON FLAT WASHER V40370P01
NI	G50915030		GRILLE TOE ASM AF AR 30 L (CONTAINS ITEMS NO. 4 - NO. 7)
	G50915029		GRILLE TOE ASM AF AR 30 R (CONTAINS ITEMS NO. 4 - NO. 7)



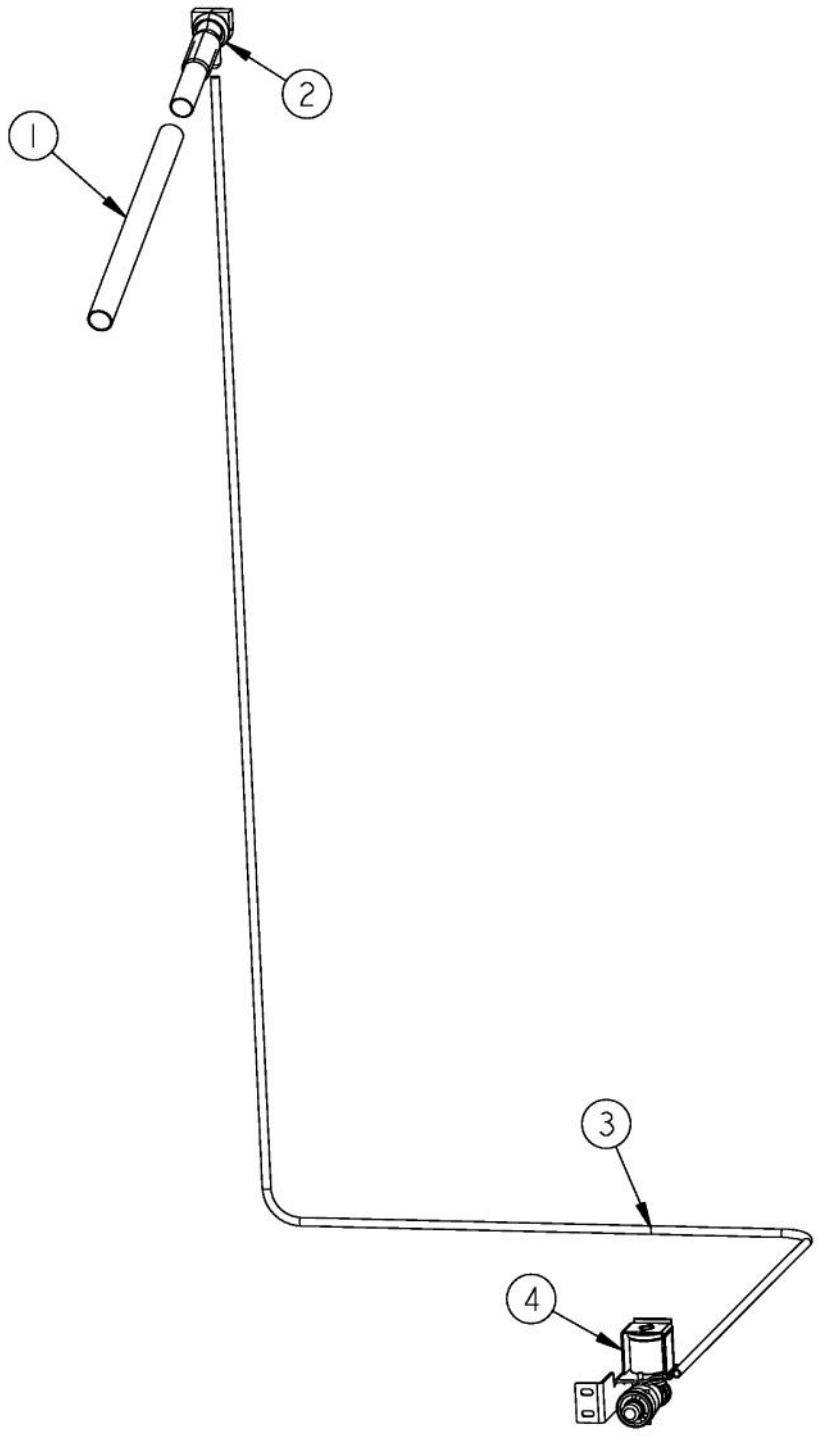
Ref #	Part Number	Qty.	Description
1	PD020194		SCREW-SM
2	PC040010		POP RIVET
3	M0223509		SCREW-LAG
4	M0270510		WASHER
5	PK910089		BRACKET, ANTI - TIP
6	A4554806		BUSHING-SNAP VA4554806
7	K2099459		MC SIDE R
8	PB070355		INSULATION MC COVER
9	PB970171		MC INSULATION - BACK SIDE
10	B20916338		ENDCAP GRILLE PROI L
	B20916336		ENDCAP GRILLE PROI N
11	M0220417		SCREW-TC
12	PK050004		BRACKET GRILLE
13	K20915675		BRACKET PSM
14	PD020233		SCR LAG 5/16-9 GX 5/16X7/16 WAF IHXW 3 S ZN
15	K20916342		BRACKET GRILLE
16	B2096961		BRACKET-LOUVER
17	002840-000		LOUVER,GRL,LWR,30 PROI
18	B20916336		ENDCAP GRILLE PROI N
	B20916337		ENDCAP GRILLE PROI R
19	002839-000		LOUVER,GRL,MDL,30 PROI
20	002838-000		LOUVER,GRL,TOP,30 PROI
21	PB070357		INSULATION MC COVER
22	PB070356		INSULATION MC COVER
23	K2099932		MC BACK 30
24	K2099455		SUPPORT MC Z
25	PD040157		BEARING SLEEVE
26	K2099460		MC SIDE L
27	K2099930		MC TOP 30



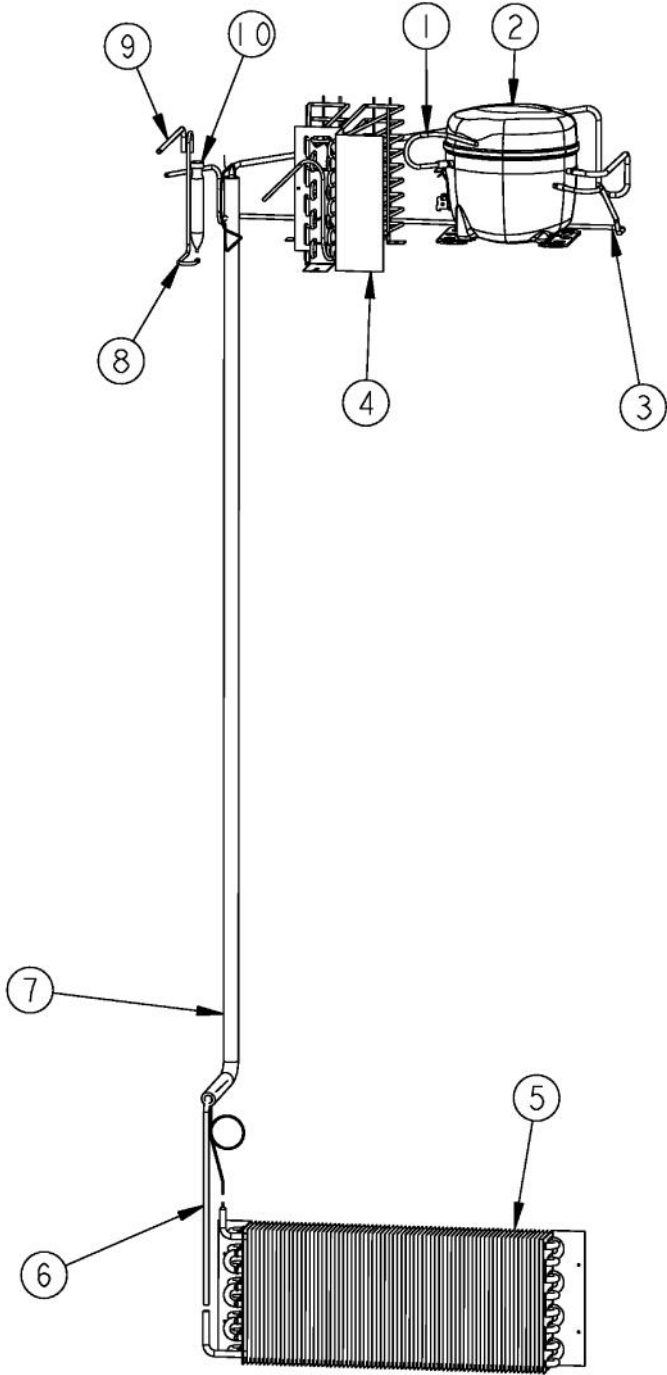
Ref #	Part Number	Qty.	Description
1	K20912562		COVER FAN EVAP AF 30
2	M0104106		CLIP-CORD VM0104106
3	PD020194		SCREW-SM
4	K20912558		BRACKET EVAP COVER
5	K20912598		DIVERTER AIR AF 30 R
6	K20912559		BRKT FAN EVAP AF 30
7	12234001		GROMMET-VIBRATION
8	PM910456		EVAPORATOR AF 30
9	PM910468		CLIP EVAP HTR 36 30 AF
10	PB910259		THERMOSTAT DEFROST TERMINATOR
11	PJ910038		DEFROST HEATER AF 30
12	K20912597		DIVERTER AIR AF 30 L
13	M0238859		SCREW-SHLDR
14	M02172046		SCREW, SM
15	PE950154		FAN EVAP HORIZ AF AR 30
16	PE970641		JUMPER FAN RESISTOR



Ref #	Part Number	Qty.	Description
1	F2099927		SERPENTINE AF AR 30
2	PD030146		STAND OFF LOCK CLIP
3	K20911832		BRACKET CONDENSATE SUPPORT
4	PK930347		PAN-DRAIN AF AR 30
5	G50915603		PAN HEATER ASM AF/AR 30
6	A4554817		BUSHING-SNAP VA4554817
7	000731-000		AXIAL FAN
8	PM910398		LEVELER ASSEMBLY - R
9	M0104106		CLIP-CORD VM0104106
10	K2098044		BRKT GRILLE SUPPORT
11	PD020194		SCREW-SM
12	G32913789		BRKT & VALVE H2O SNGL ASM
13	PD020274		SCR SLTD HEX WSHR HD 8X1.250 BT
14	M0253916		SCREW-TF
15	B20915627		BRACKET HORIZ FLOAT SWITCH
16	PE050248		FLOAT SWITCH HORIZONTAL
17	K20915953		SHIELD BOTTOM DRAIN
18	A4554806		BUSHING-SNAP VA4554806
19	PC040010		POP RIVET
20	PM910399		LEVELER MODULE L
21	002668-000		SWITCH,GRILLE,MT,LH
	002667-000		SWITCH,GRILLE,MT,RH
22	PE950147		SWITCH SPST NC BLACK
23	K2098096		BRKT GRILLE SUPPORT
24	PC020289		HINGE PLATE LL
	PC020288		HINGE PLATE LR
25	PC920144		PLATE - WC DOOR SHIM
26	PD940090		BUSHING - WC DOOR LEVEL
27	PD940091		BUSHING - DOOR STOP
28	PC920145		PIN - DOOR STOP
29	PD940094		BUSHING
30	PC920149		BAR-WC BOT HINGE LH
	PC920166		BAR-WC BOT HINGE RH
31	PC910015		SPRING EXTENSION
32	PD940107		ROUND SPRING SPACER
33	M0221523		SCREW - SHLDR
34	000570-000		HEX SCREW
35	M0220417		SCREW-TC



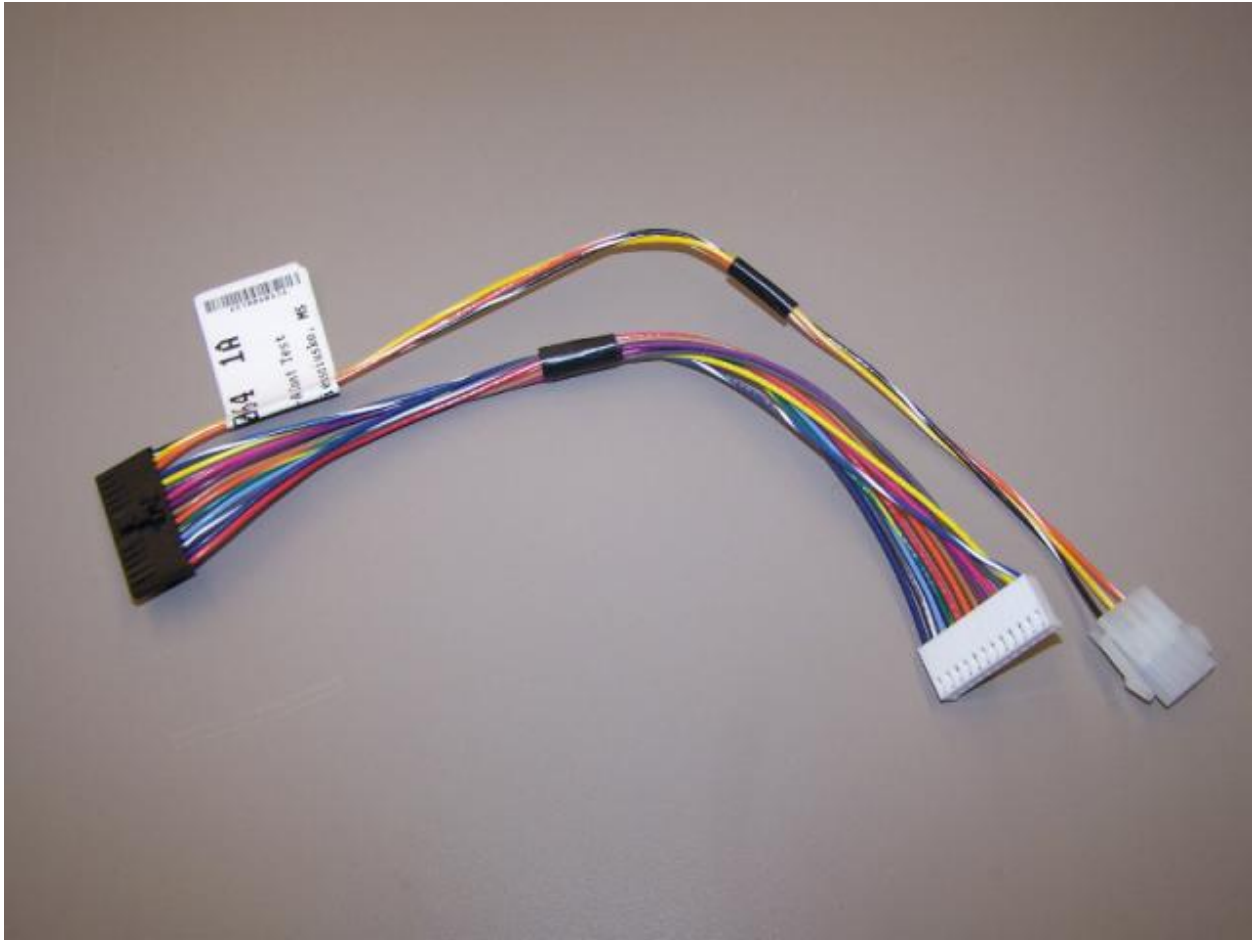
Ref #	Part Number	Qty.	Description
1	A3127415		EXT-FILL TUBE
2	G5096419		FILL TUBE ASSY 10942511
3	PB020304		PLASTIC TUBING-IM WATERLINE NON DISP (SXS & AF)
4	PA970012		SINGLE WATER VALVE



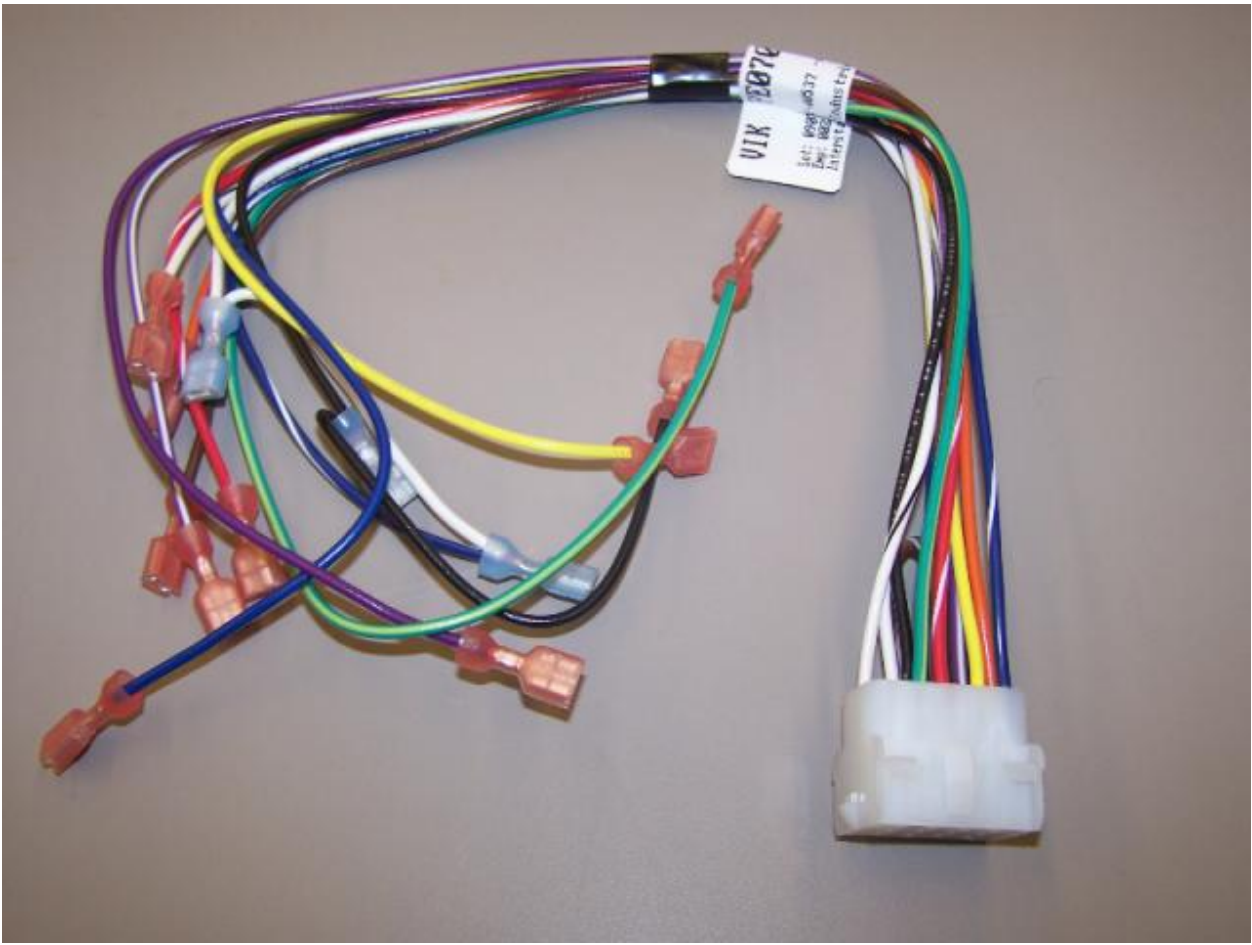
Ref #	Part Number	Qty.	Description
1	F2096507		TUBE-PROCESS GRN
2	G5097976		COMPRESSOR ASSEMBLY (363 AND 483) (INCLUDES DRIER)
3	F20910729		TUBE DISCHARGE FORMED AF AR 36
4	PB920171		CONDENSER ASM
5	G50912322		EVAP ASM AF 30
6	F20911307		TUBE FORMED HT EXCH AF 30
7	PB970187		INSULATION TUBING 57.500
8	F2096669		TUBE-DRIER COND
9	F2097740		TUBE PROCESS
10	10743201		DRIER, HI SIDE

*No Image
Available*

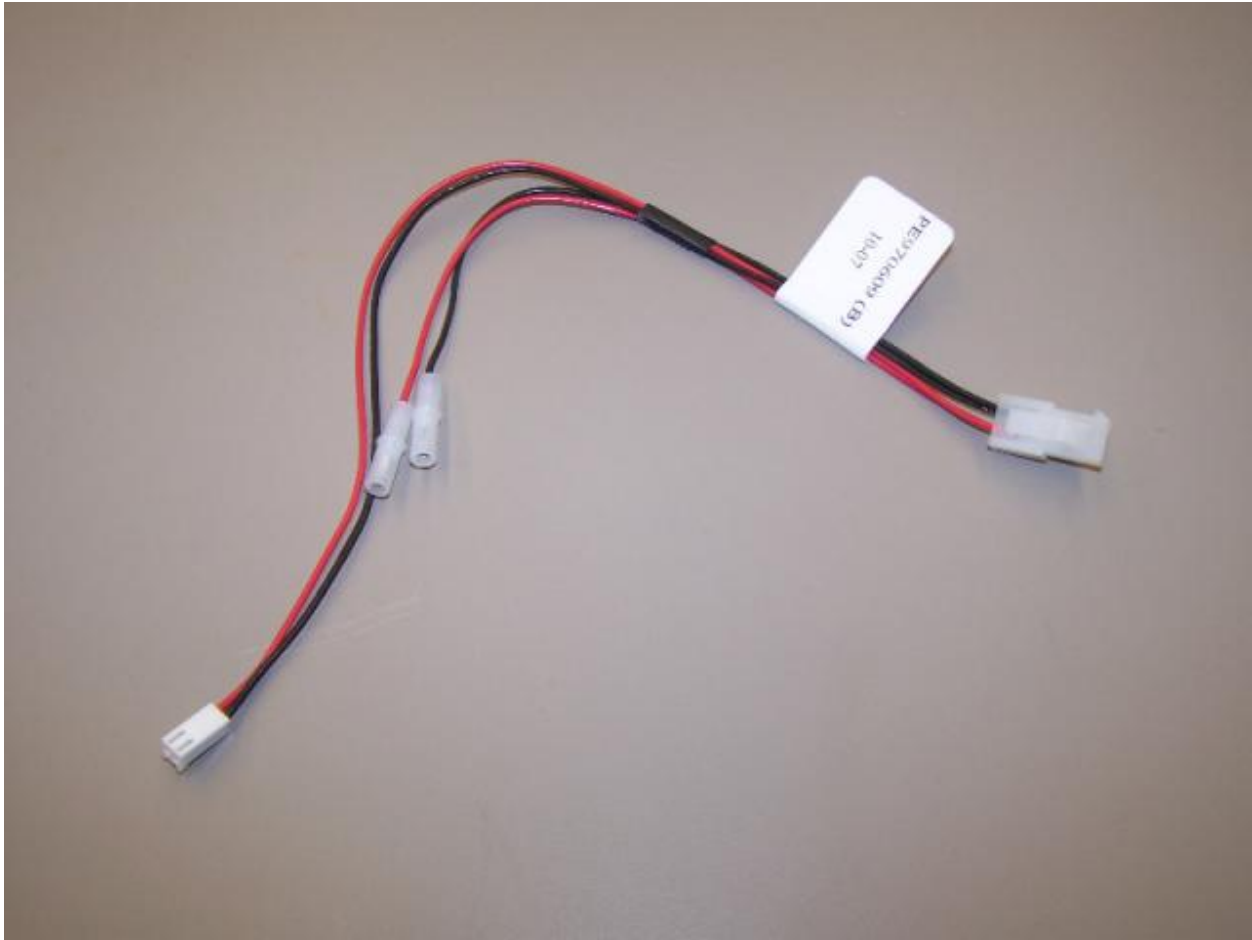
Ref #	Part Number	Qty.	Description
NI	PE970570		HARNESS MACH COMP AF 30



Ref #	Part Number	Qty.	Description
NI	PE970464		HARNESS LOW VOLT



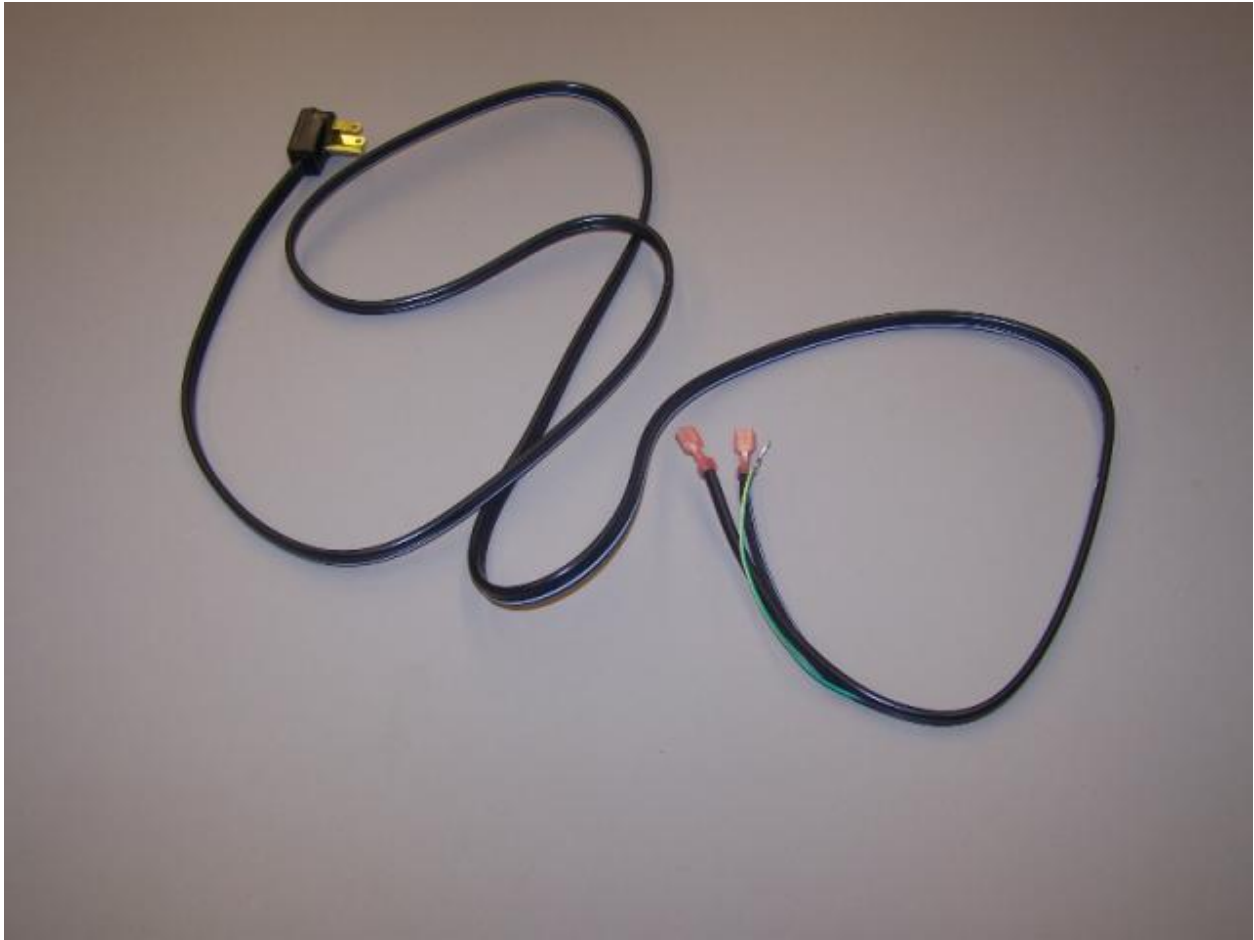
Ref #	Part Number	Qty.	Description
NI	PE070785		HARNESS HIGH VOLT



Ref #	Part Number	Qty.	Description
NI	PE970609		HARNESS CONTROL BOARD

*No Image
Available*

Ref #	Part Number	Qty.	Description
NI	PE970641		JUMPER FAN RESISTOR



Ref #	Part Number	Qty.	Description
NI	10916507		TUBE-PROCESS GRN