

This Owner's Manual is provided and hosted by [Appliance Factory Parts](#).



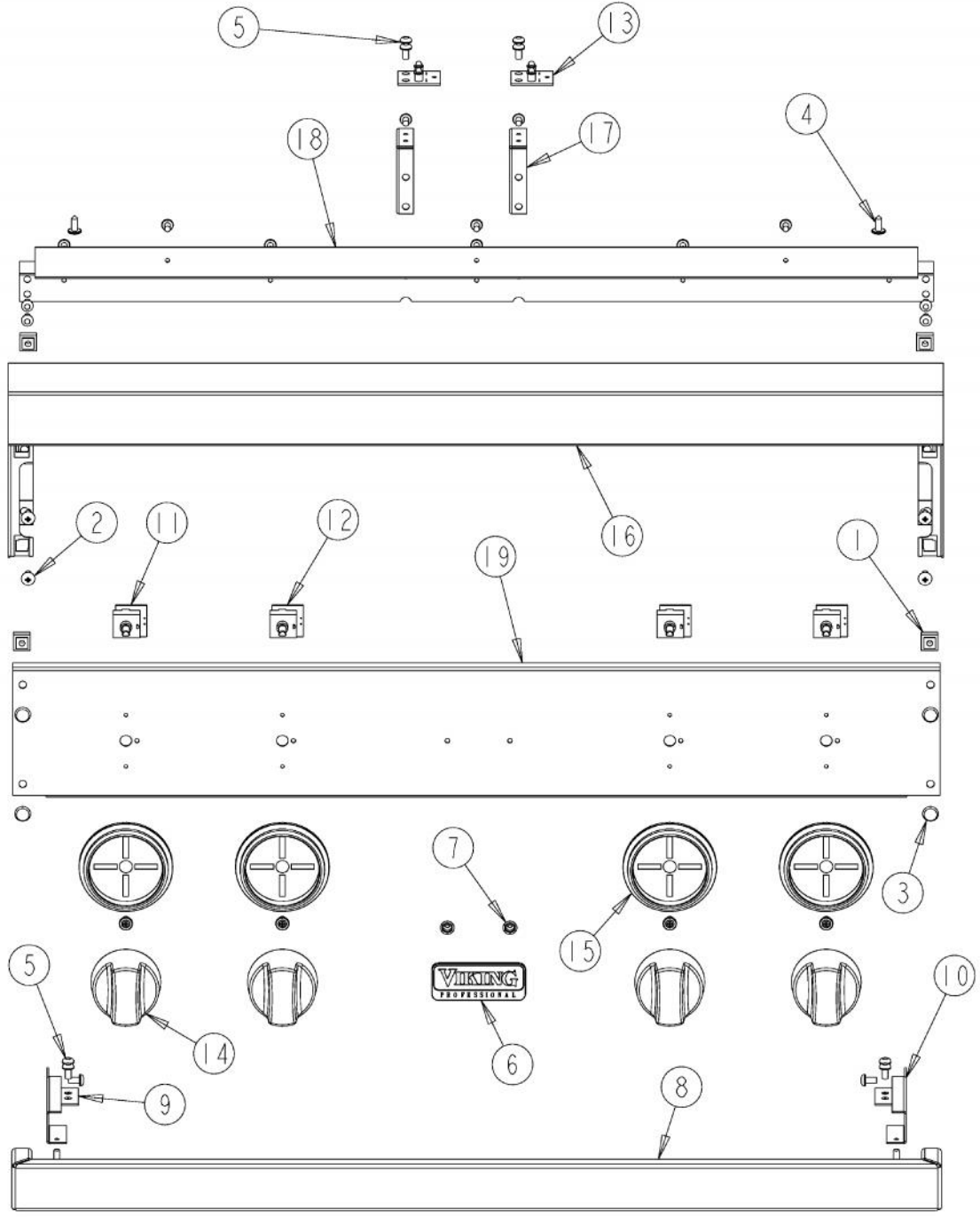
VIKING VIRT301 Owner's Manual

[Shop genuine replacement parts for VIKING VIRT301](#)

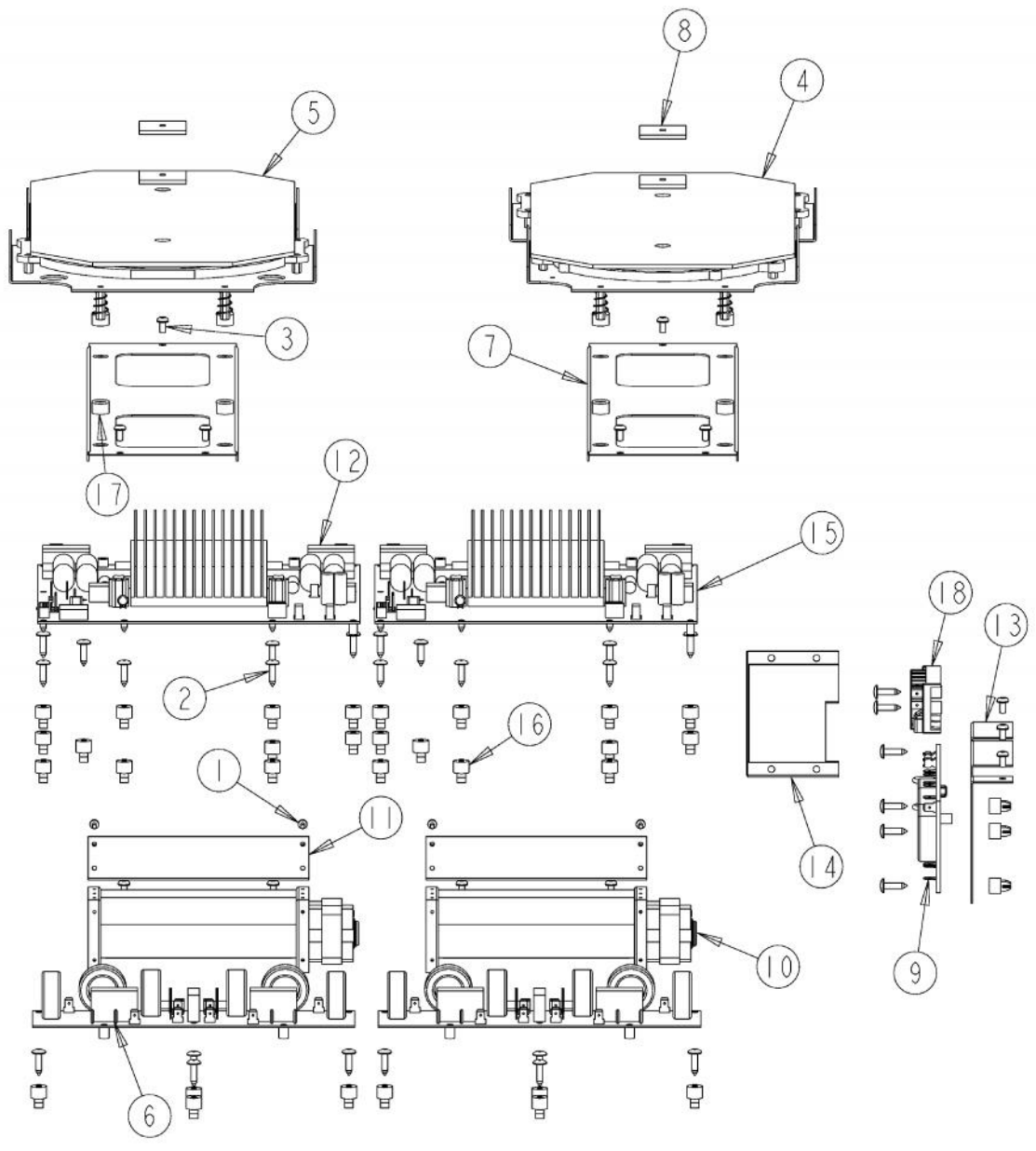


[Find Your VIKING Range Hoods Parts - Select From 411 Models](#)

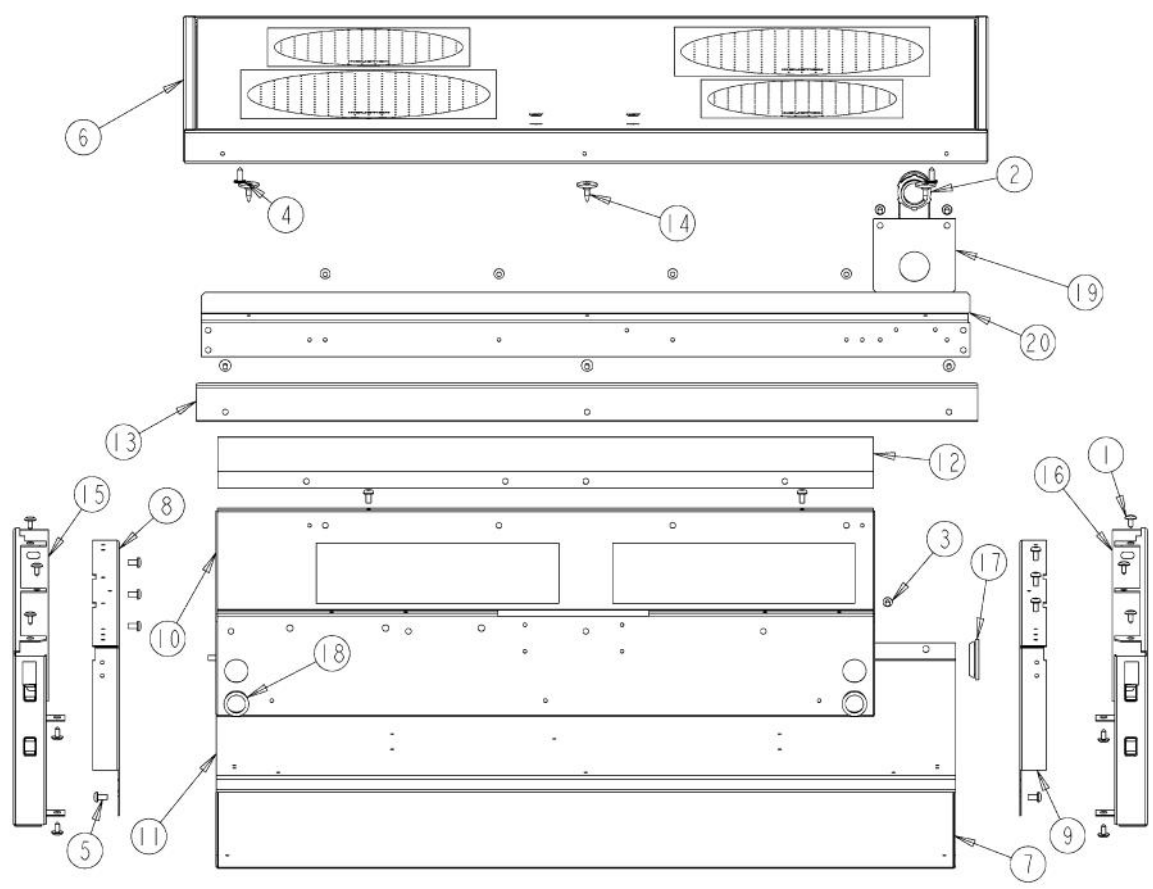
----- Manual continues below -----



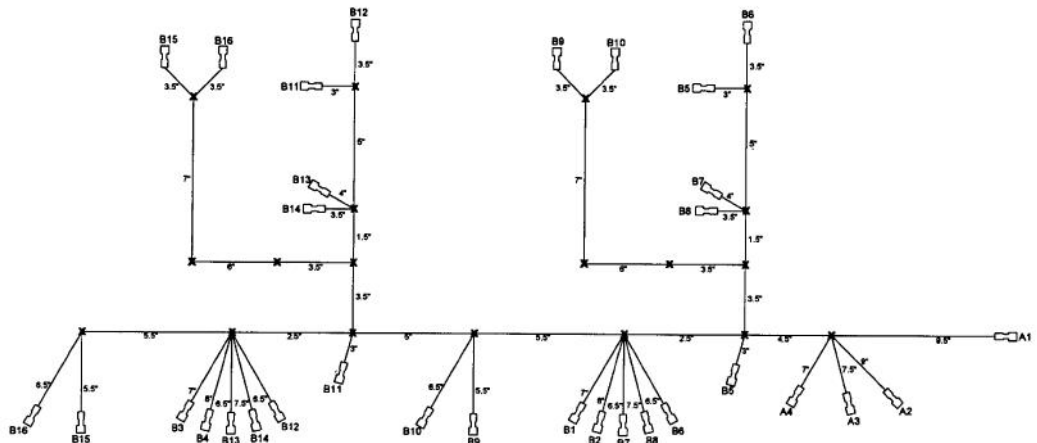
Ref #	Part Number	Qty.	Description
1	PD030005		SELF RETAINING NUT
2	PD010003		10-24 X 1/2 PH.TR.HD.SERD.M.S.
3	PD020033		SRW-NO.10-24X1/2T(23)PH.WFR HD (NKL)
4	PD020046		NO.8 X 1/2 SCREWS
5	PD020004		10X3/8PH.HD.TYPE 25 REPL PD040125
6	PE010142		3 LOGO XBKXXCHROME
	PE010143		3 LOGO BK/BR
	PE010144		3 LOGO XWHXCHROME
	PE010145		LOGO - WH / BR
7	PD030006		CAPPED WASHER PAL NUT
8	B30011468		FALSE DRIP TRAY HANLDE (WELDED) - 30
	G93011458PVD		DRIP TRAY HANDLE ASSY 30 PVD
9	A20011466		FALSE DRIP TRAY HANDLE BRKT. LH
10	A20011467		FALSE DRIP TRAY HANDLE BRKT. RH
11	PE070634		HALOGEN LIGHT TRANSFORMER
12	PE070683		POT ASSY- WHITE 33 (12-4500)
13	PE070519		INDUCTION LED ASSEMBLY
14	PA010218		INDUCTION RANGE/RANGETOP KNOB (BK)
	PA010220		INDUCTION RANGE/RANGETOP KNOB (WH)
15	PB010208		BEZEL, CHROME PLATE
	PB010209		BEZEL BRASS
16	G3001406		LANDING LEDGE ASSY
17	A20014514		LED BRACKET
18	A20014504		VIRT FRONT SUPPORT
19	B92014517		VIRT INDUCTION CONTROL PANEL



Ref #	Part Number	Qty.	Description
1	PD020067		NO.6 X 3/8 PAN PHIL. TEK SS
2	PD020014		10X3/4 PH TR HD SMS
3	PD020004		10X3/8PH.HD.TYPE 25 REPL PD040125
4	PE070688		ALL INDUCTION COIL TRAY ASSEMBLY
5	PE070689		ALL INDUCTION COIL TRAY ASSEMBLY
6	PE070597		ALL INDUCTION EMI BOARD
7	A20014510		COIL BRACE
8	PE070761		INDUCTION THERMAL LIMITER
9	PE070627		VICU EMI FILTER
10	PE070635		VICU COOLING FAN
11	A20014512		FAN BRACKET
12	PE070681		LEFT & MIDDLE SECTION POWER BOARD
13	A20014500		POWER BOARD BRACKET
14	A20014520		POWER BOARD COVER
15	PE070596		ALL INDUCTION POWER BOARD
16	PD030033		GROMMET NUT-ROUND HD. NO.8 X .500DIA.
17	PD040021		1/2 BUSHING (VGRC)
18	PE070147		TERMINAL BLOCK

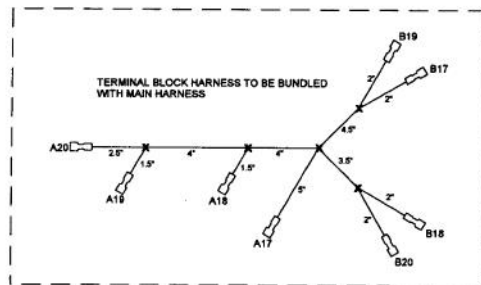


Ref #	Part Number	Qty.	Description
1	PD020032		SRW-8(A)X3/8PH.WFR HD 7/16DIAXNICL
2	PB040259		90 DEG. 3/4 CONDUIT FITTING
3	PD020010		10 X 3/8 GREEN GROUNDING SCREW
4	PD020046		NO.8 X 1/2 SCREWS
5	PD020004		10X3/8PH.HD.TYPE 25 REPL PD040125
6	G50014548		30 CERAMIC TOP ASSEMBLY (INDUCTION) (BK)
	G50014562		MAIN TOP ASSEMBLY - WHITE GLASS
7	A20014518		BURNER BOX BOTTOM
8	A20014502		BURNER BOX SIDE L.H.
9	A20014503		BURNER BOX SIDE R.H.
10	A20014511		COMPONENT SHELF
11	A20014519		INSULATION PANEL
12	A20014515		REAR DIVERTER
13	B2002763		REAR FRAME TRIM (VERT)
14	PD020151		SHOULDER SCREW
15	B20014523		SIDE PANEL - LH
16	B20014522		SIDE PANEL - RH
17	PB070079		SILICONE EXTRUSION (DGSU)
18	PD040005		SNAP BUSHING - 7/8
19	A10014521		VIRT CONDUIT BRACKET
20	A20014507		VIRT REAR SUPPORT



WIRE	COLOR	TEMP	VOLT	DESCRIPTION
1	ORG	105°C	600	J1 TO JE1 (RIGHT SECTION EMI TO POWER CONDITIONER BOARD)
2	BROWN	105°C	600	J2 TO JE2 (RIGHT SECTION EMI TO POWER CONDITIONER BOARD)
3	BLUE	105°C	600	J3 TO JE1 (LEFT SECTION EMI TO POWER CONDITIONER BOARD)
4	WHITE	105°C	600	J4 TO JE2 (LEFT SECTION EMI TO POWER CONDITIONER BOARD)
5	RED	105°C	600	JE3 TO J16 (RIGHT SECTION EMI TO RIGHT SECTION POWER BOARD)
6	BLK	105°C	600	JE4 TO J17 (RIGHT SECTION EMI TO RIGHT SECTION POWER BOARD)
7	VIO	105°C	600	JE5 TO J4 (RIGHT SECTION EMI TO RIGHT SECTION POWER BOARD)
8	GRAY	105°C	600	JE6 TO J5 (RIGHT SECTION EMI TO RIGHT SECTION POWER BOARD)
9	BLK	105°C	600	JE8 TO J18 (RIGHT SECTION EMI TO RIGHT SECTION POWER BOARD)
10	RED	105°C	600	JE7 TO J19 (RIGHT SECTION EMI TO RIGHT SECTION POWER BOARD)
11	RED	105°C	600	JE3 TO J16 (LEFT SECTION EMI TO RIGHT SECTION POWER BOARD)
12	BLK	105°C	600	JE4 TO J17 (LEFT SECTION EMI TO RIGHT SECTION POWER BOARD)
13	VIO	105°C	600	JE5 TO J4 (LEFT SECTION EMI TO RIGHT SECTION POWER BOARD)
14	GRAY	105°C	600	JE6 TO J5 (LEFT SECTION EMI TO RIGHT SECTION POWER BOARD)
15	BLK	105°C	600	JE8 TO J18 (LEFT SECTION EMI TO RIGHT SECTION POWER BOARD)
16	RED	105°C	600	JE7 TO J19 (LEFT SECTION EMI TO RIGHT SECTION POWER BOARD)
17	RED	105°C	600	L1R TO L2
18	BLK	105°C	600	L2R TO L1
19	RED	105°C	600	L1C TO L2
20	BLK	105°C	600	L2C TO L1

X = WIRE TIE



Ref #	Part Number	Qty.	Description
1	PE070820		WIRE HARNESS