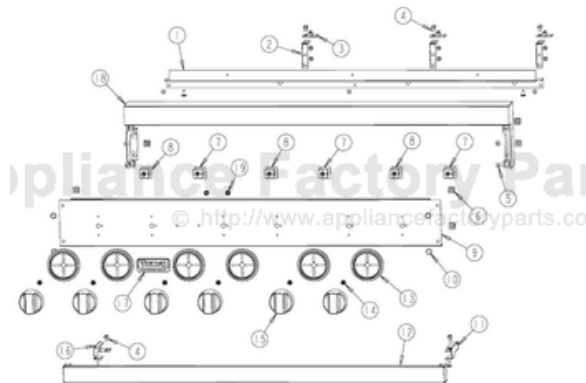


This Owner's Manual is provided and hosted by [Appliance Factory Parts](#).



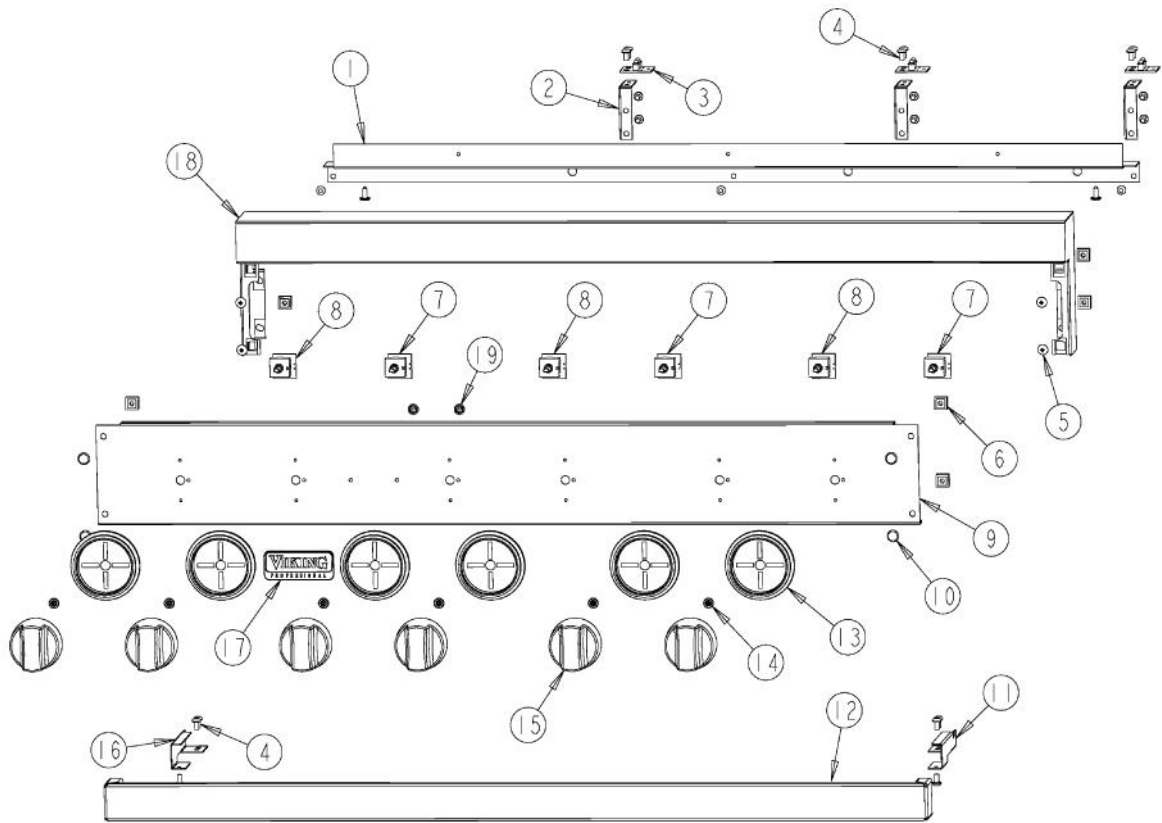
VIKING VIRT361 Owner's Manual

[Shop genuine replacement parts for VIKING VIRT361](#)

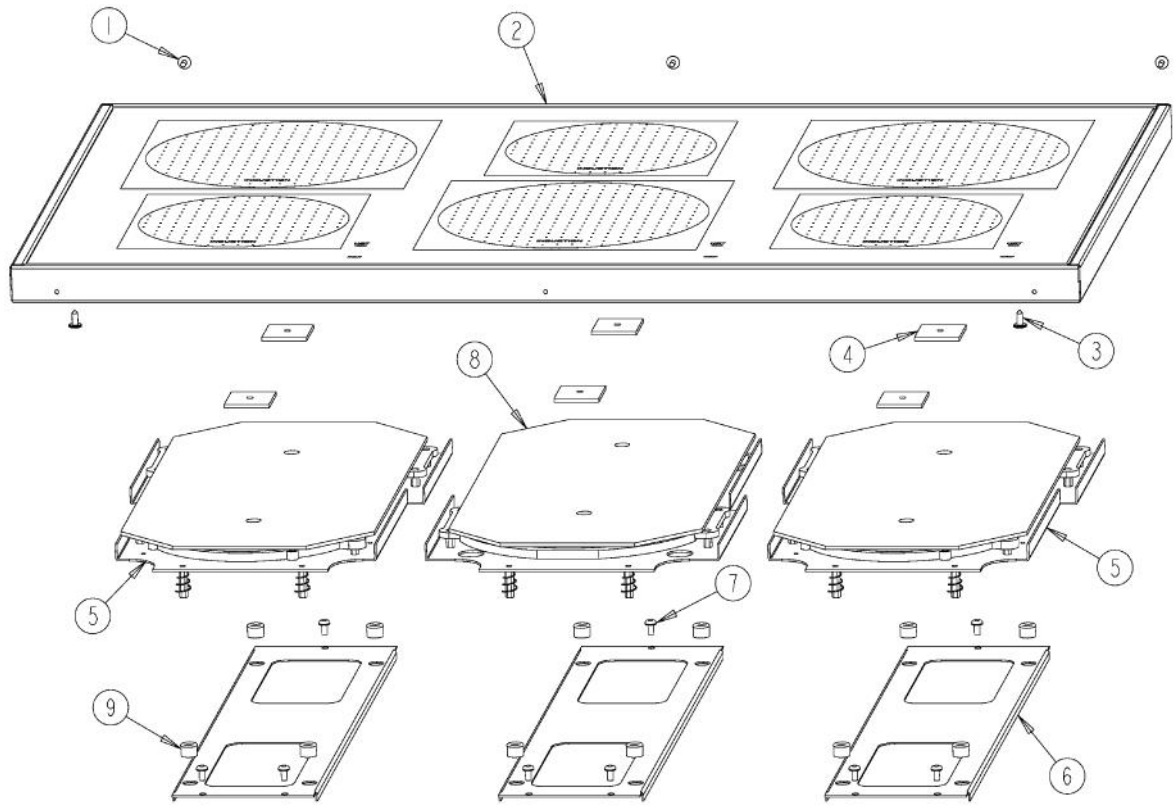


[Find Your VIKING Range Hoods Parts - Select From 411 Models](#)

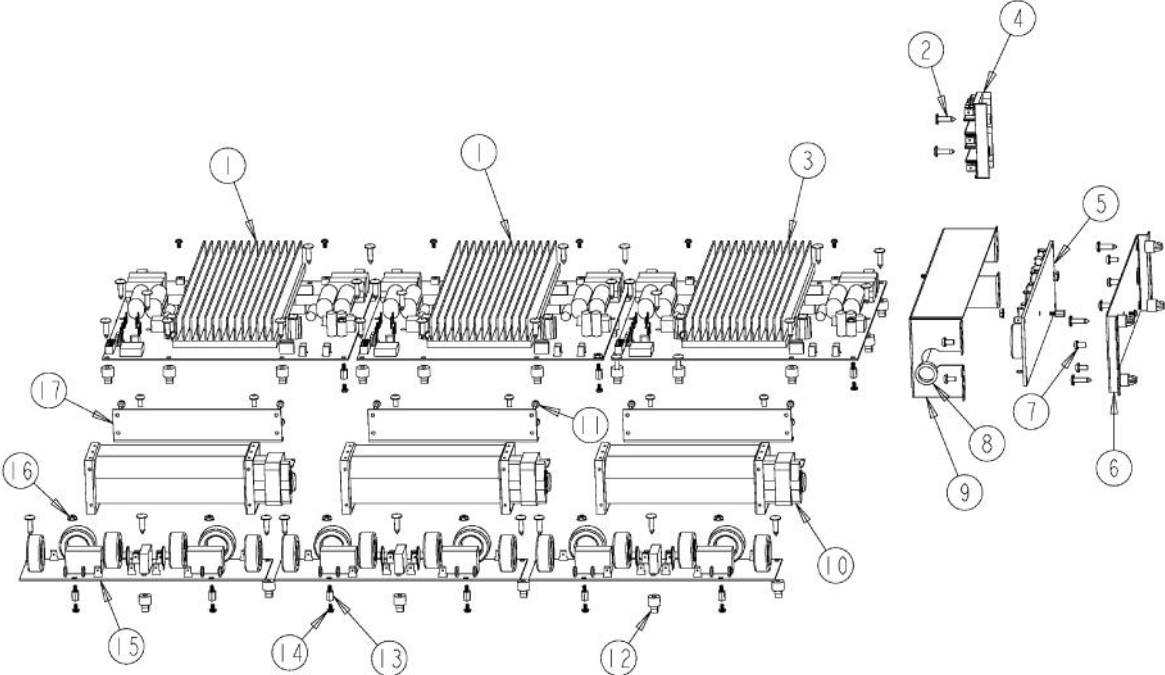
----- Manual continues below -----



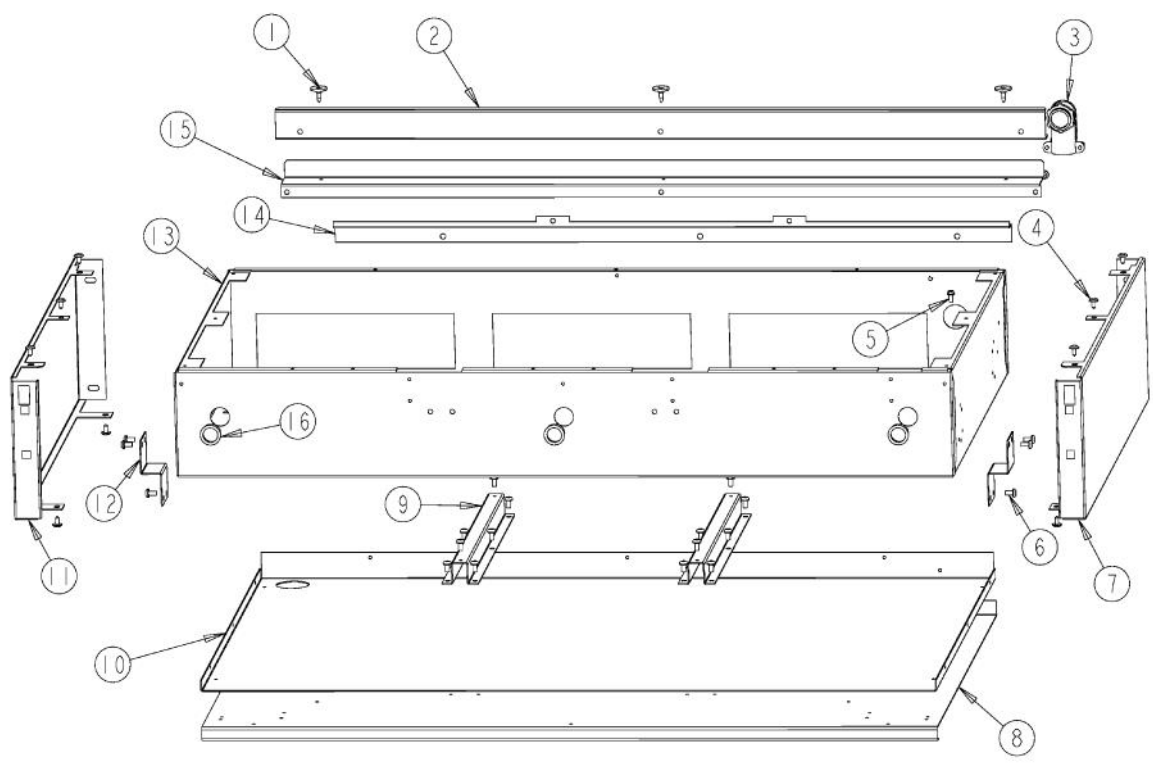
Ref #	Part Number	Qty.	Description
1	A20014554		36 FRONT SUPPORT
2	A20014514		LED BRACKET
3	PE070519		INDUCTION LED ASSEMBLY
4	PD020004		10X3/8PH.HD.TYPE 25 REPL PD040125
5	PD010003		10-24 X 1/2 PH.TR.HD.SERD.M.S.
6	PD030005		SELF RETAINING NUT
7	PE070683		POT ASSY- WHITE 33 (12-4500)
8	PE070364		POT ASSY - GRAY 28.5 (12-4200)
9	B92014558		VIRT CONTROL PANEL - 36
	C92014558BK		VIRT CONTROL PANEL - 36 BK
	C92014558WH		VIRT CONTROL PANEL - 36 WH
10	PD020033		SRW-NO.10-24X1/2T(23)PH.WFR HD (NKL)
11	A20011467		FALSE DRIP TRAY HANDLE BRKT. RH
12	G30010696		DRIP TRAY HANDLE ASSY 36
	G93011459PVD		DRIP TRAY HANDLE ASSY 36 PVD
13	PB010208		BEZEL, CHROME PLATE
	PB010209		BEZEL BRASS
14	PD020046		NO.8 X 1/2 SCREWS
15	PA010218		INDUCTION RANGE/RANGETOP KNOB (BK)
	PA010220		INDUCTION RANGE/RANGETOP KNOB (WH)
16	A20011466		FALSE DRIP TRAY HANDLE BRKT. LH
17	PE010142		3 LOGO XBKXXCHROME
	PE010143		3 LOGO BK/BR
	PE010144		3 LOGO XWHXCHROME
	PE010145		LOGO - WH / BR
18	G3001585		36 LANDING LEDGE
19	PD030006		CAPPED WASHER PAL NUT



Ref #	Part Number	Qty.	Description
1	PD020032		SRW-8(A)X3/8PH.WFR HD 7/16DIAXNICL
2	G50014560		36 CERAMIC TOP ASSY (INDUCTION) BK
	G50014561		36 CERAMIC TOP ASSY (INDUCTION) WH
3	PD020046		NO.8 X 1/2 SCREWS
4	PE070761		INDUCTION THERMAL LIMITER
5	PE070688		ALL INDUCTION COIL TRAY ASSEMBLY
6	A20014510		COIL BRACE
7	PD020004		10X3/8PH.HD.TYPE 25 REPL PD040125
8	PE070689		ALL INDUCTION COIL TRAY ASSEMBLY
9	PD040021		1/2 BUSHING (VGRC)



Ref #	Part Number	Qty.	Description
1	PE070681		LEFT & MIDDLE SECTION POWER BOARD
2	PD020014		10X3/4 PH TR HD SMS
3	PE070596		ALL INDUCTION POWER BOARD
4	PE070147		TERMINAL BLOCK
5	PE070627		VICU EMI FILTER
6	A20014541		POWER BOARD BRACKET
7	PD020004		10X3/8PH.HD.TYPE 25 REPL PD040125
8	PD040005		SNAP BUSHING - 7/8
9	A20014542		POWER BOARD COVER
10	PE070635		VICU COOLING FAN
11	PD020067		NO.6 X 3/8 PAN PHIL. TEK SS
12	PD030033		GROMMET NUT-ROUND HD. NO.8 X .500DIA.
13	PD040165		1/4 HEX X 6-32 THREAD MALE TO FEMALE
14	PD020260		6-32 X 1/4 PAN PHIL INTERNAL SEMS ZN
15	PE070597		ALL INDUCTION EMI BOARD
16	PD030177		6-32 KEPS NUT ZN
17	A20014512		FAN BRACKET



Ref #	Part Number	Qty.	Description
1	PD020151		SHOULDER SCREW
2	B20014557		REAR FRAME TRIM - 36
3	PB040259		90 DEG. 3/4 CONDUIT FITTING
4	PD020032		SRW-8(A)X3/8PH.WFR HD 7/16DIAXNICL
5	PD020010		10 X 3/8 GREEN GROUNDING SCREW
6	PD020004		10X3/8PH.HD.TYPE 25 REPL PD040125
7	B20014522		SIDE PANEL - RH
8	A20014534		36 BOTTOM INS PANEL
9	A20014552		BURNER BOX SUPPORT
10	A20014533		36 BURNER BOX BOTTOM
11	B20014523		SIDE PANEL - LH
12	A20014564		36 FRONT BURNER BOX SUPPORT BRKT.
13	A20014553		COMPONENT SHELF - 36
14	A20014551		REAR DIVERTER - 36
15	A20014555		36 REAR SUPPORT
16	PD040005		SNAP BUSHING - 7/8