

This Owner's Manual is provided and hosted by [Appliance Factory Parts](#).



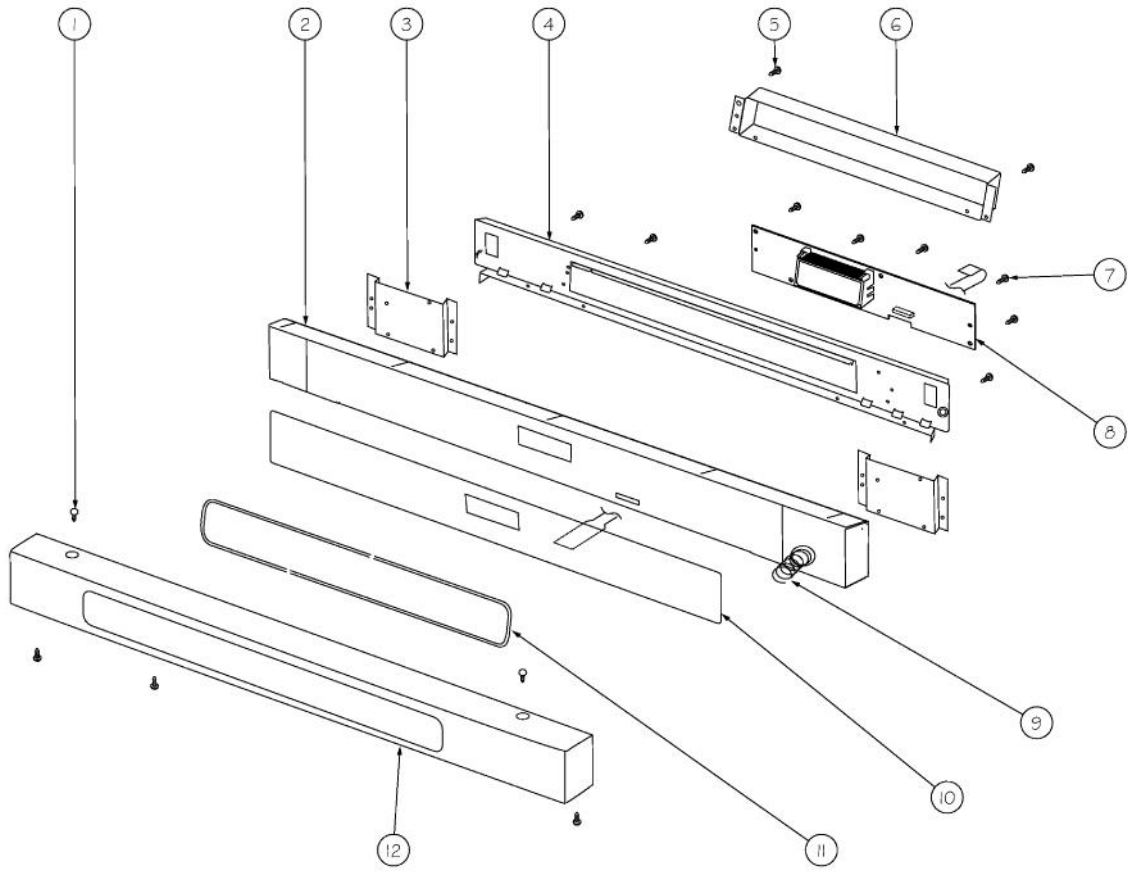
VIKING VMOD241 Owner's Manual

[Shop genuine replacement parts for VIKING VMOD241](#)

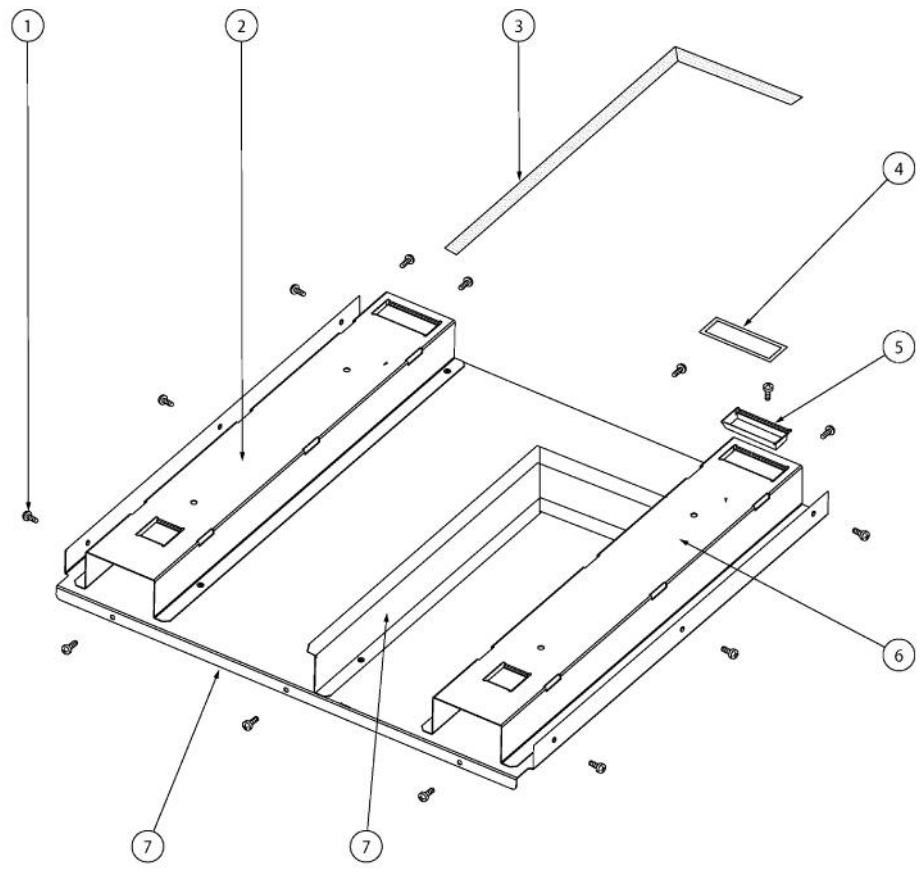


[Find Your VIKING Microwave Parts - Select From 37 Models](#)

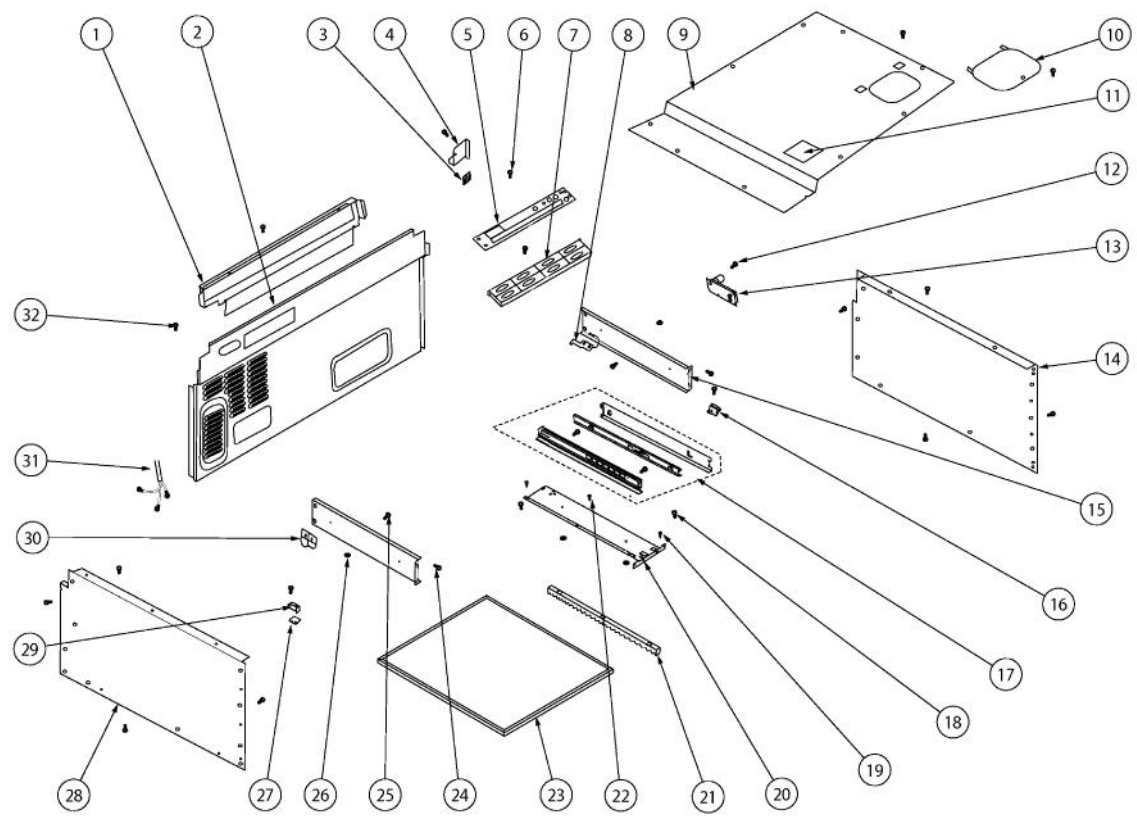
----- Manual continues below -----



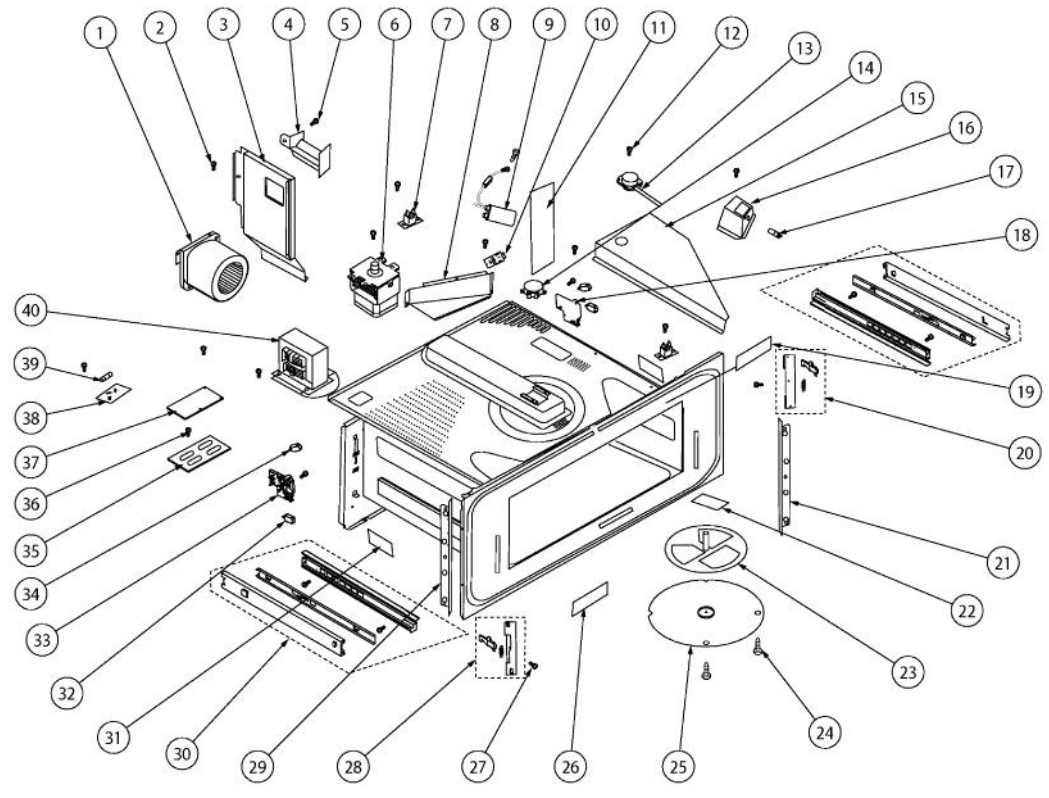
Ref #	Part Number	Qty.	Description
1	PM120033	5	SCREW ; CONTROL PANEL MTG.
2	028572-000	1	CONTROL PANEL FRAME ASSY
3	022319-000	2	LOCKING HOOK
4	011847-000	1	CONTROL PANEL ANGLE
5	PM120146	8	SCREW : 4MM X 12MM
6	022320-000	1	SPRING CLIP, FIXING HEATING ELEMENT
7	022383-000	4	SCREW
8	011846-000	1	CONTROL UNIT
9	011854-000	1	SPRING
10	011856-000	1	KEY UNIT
11	011852-000	2	CUSHION
12	022322-000	1	SQUARE SUPPORT BOX



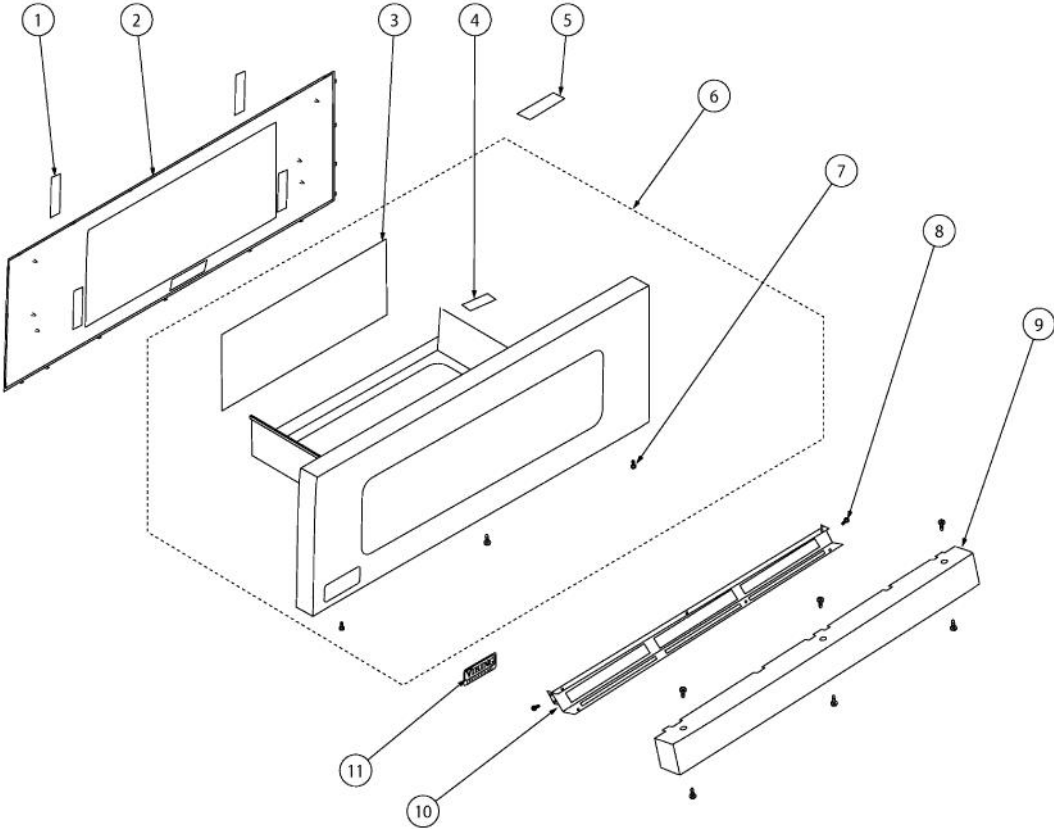
Ref #	Part Number	Qty.	Description
1	PM120146	14	SCREW : 4MM X 12MM
2	011882-000	1	AIR GUIDE - LH
3	011876-000	1	BOTTOM CUSHION A
4	011878-000	1	BOTTOM CUSHION B
5	011879-000	1	EXHAUST GUIDE
6	028574-000	1	AIR GUIDE R
7	011883-000	1	PARTITION ANGLE
8	011881-000	1	BOTTOM COVER



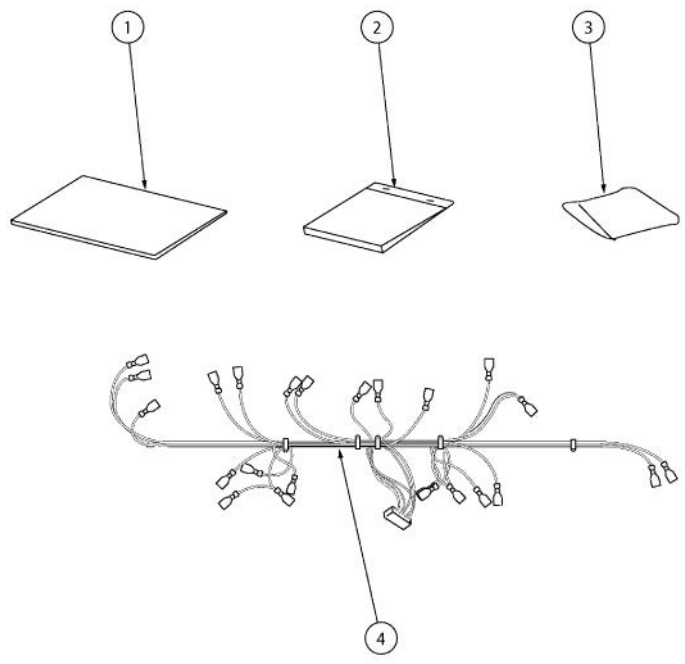
Ref #	Part Number	Qty.	Description
1	011867-000	1	EXHAUST DUCT A
2	011870-000	1	BACK PLATE
3	028573-000	1	CUSHION
4	011868-000	1	AIR COVER
5	011901-000	1	POWER SUPPLY
6	022383-000	1	SCREW
7	011871-000	1	SWITCH PSU HOLDER
8	012000-000	1	ACTUATOR R
9	011873-000	1	TOP COVER
10	011874-000	1	COVER
11	011872-000	1	SCHEMATIC
12	011898-000	4	SCREW
13	011997-000	1	AUTO DRAWER GEAR ASSY
14	011875-000	1	SIDE CABINET - RH
15	022639-000	2	DOOR SUPPORT ANGLE A
16	011908-000	1	SWITCH ANGLE R
17	022335-000	1	WIRING
18	028576-000	2	SCREW
19	PM120159	2	SCREW
20	012007-000	1	DOOR SUPPORT ANGLE B
21	012008-000	2	RACK GEAR
22	012006-000	1	SPECIAL SCREW
23	012010-000	1	OVEN TRAY ASSY
24	011877-000	2	SCREW
25	011866-000	2	SCREW : 4MM X 8MM
26	011999-000	6	CAP NUT
27	011909-000	2	SWITCH ANGLE L
28	011884-000	1	SIDE CABINET - LH
29	PM100019	5	INTERLOCK SWITCH
30	012011-000	1	ACTUATOR L
31	011888-000	1	POWER SUPPLY CORD
32	PM120146	18	SCREW : 4MM X 12MM



Ref #	Part Number	Qty.	Description
1	011889-000	1	FAN MOTOR
2	PM120146	2	SCREW : 4MM X 12MM
3	011968-000	1	FAN MOTOR ANGLE
4	011969-000	1	MAGNETRON AIR GUIDE
6	004835-000	1	MAGNETRON
7	011899-000	1	THERMAL CUT - OUT
8	011970-000	1	MAGNETRON DUCT
9	011902-000	1	HVC ASSY
10	PM100013	1	H.V. CAPACITOR BAND
11	011972-000	1	EXHAUST DUCT B
12	011898-000	1	SCREW
13	011905-000	1	SENSOR ASSY
14	022361-000	1	NO.12X 3/4 BLACK TYPE A SCREW
15	011974-000	1	SENSOR DUCT
16	011973-000	2	OVEN LAMP ANGLE
17	011907-000	1	OVEN LAMP/SOCKET
18	011975-000	1	LATCH HOOK R
19	PM120021	3	USER CAUTION LABEL
20	011995-000	1	LATCH ANGLE ASSY R
21	012001-000	1	SIDE ANGLE R
22	012002-000	4	LAMP FILTER
23	022501-000	1	STIRRER FAN ASSEMBLY
24	012005-000	1	CANOE CLIP
25	012004-000	2	STIR COVER ASSY
26	012012-000	2	BIK LABEL
27	PM120003	1	SCREW
28	012013-000	1	LATCH, L
29	012014-000	1	SIDE ANGLE L
30	022335-000	1	WIRING
31	PM120034	1	MONITOR CAUTION LABEL
32	011994-000	1	SCREW
33	011894-000	1	LATCH HOOK L
33	012016-000	2	SWITCH LEVER L
34	PM100075	2	MONITOR AND SCONDARY INTERLOCK SWITCH
35	012017-000	1	POWER SUPPLY UNIT HOLDER
36	022383-000	1	SCREW
37	011892-000	1	POWER SUPPLY
38	012019-000	1	NOISE FILTER UNIT
39	PM100075	1	MONITOR AND SCONDARY INTERLOCK SWITCH
40	011896-000	13	TRANSFORMER



Ref #	Part Number	Qty.	Description
1	012020-000	2	DOOR SUPPORT COVER
2	012021-000	1	CHOKE COVER
3	012022-000	1	SEALER FILM
4	012023-000	1	MENU LABEL
5	011994-000	1	SCREW
6	022385-000	1	DOOR ASSY - PROFESSIONAL
7	PM120033	9	SCREW ; CONTROL PANEL MTG.
8	PM120146	2	SCREW : 4MM X 12MM
9	013817-000	1	LOUVER
10	012027-000	1	LOUVER ANGLE
11	022274-000	1	BADGE



Ref #	Part Number	Qty.	Description
1	022390-000	1	POWER TRANSFORMER
2	022391-000	1	HOOD LAMP
3	022392-000	4	NOISE RESISTOR
4	011910-000	1	HARNESS ASSY