

This Owner's Manual is provided and hosted by [Appliance Factory Parts](#).



# VIKING VMOS200 Owner's Manual

[Shop genuine replacement parts for VIKING VMOS200](#)



[Find Your VIKING Microwave Parts - Select From 38 Models](#)

----- Manual continues below part list -----

## Available Replacement Parts for VIKING VMOS200

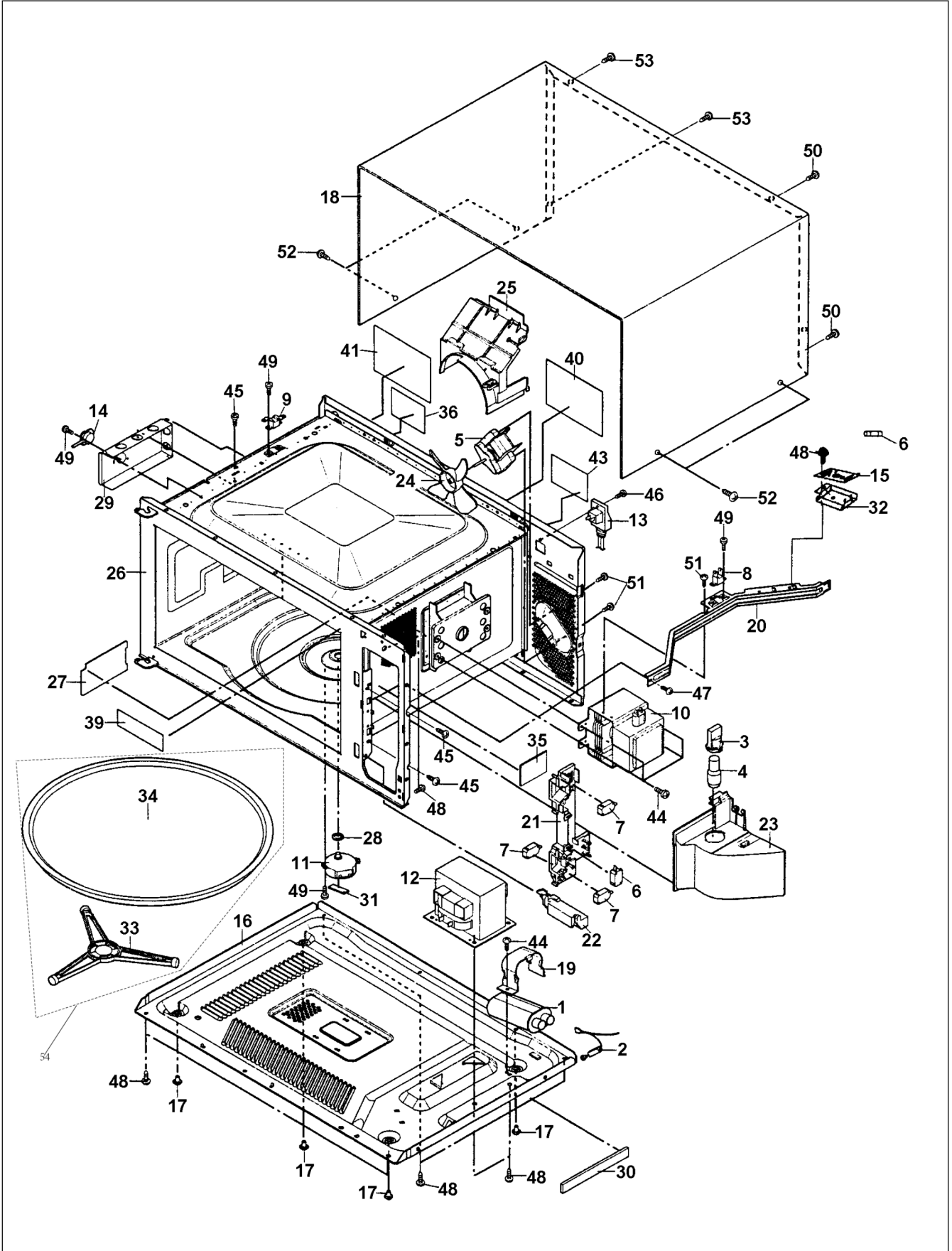
[065218-000](#)

OPEN BUTTON, JBTN-B127MRF0

# VMOS200

CABINET PARTS .....	1
CONTROL PANEL .....	2
DOOR ASSY .....	3
WIRING ASSY .....	4
Appendix A:Pages Index .....	A
Appendix B:Parts Index .....	B

CABINET PARTS



Item	Part No.	Name	Qty	Uom	NOTES
1	028723-000	HIGH VOLTAGE CAPACITOR	1	EA	
2	PM100005	HIGH VOLTAGE RECTIF.	1	EA	
3	PM100018	LAMP SOCKET	1	EA	
Not Shown	NOTE	(Before 02/01/03)		EA	
4	PM100081	Hood / Oven Lamp 20W	1	EA	
Not Shown	NOTE	(Before 02/01/03)		EA	
NI	PM100065	LIGHT BULB	1	EA	
Not Shown	NOTE	(After 02/01/03)		EA	
5	065214-000	Fan motor	1	EA	
6	PM100028	MONITOR SWITCH/FUSE KIT	1	EA	
7	062583-000	SECONDARY/THIRD/STOP SWITCH	3	EA	
8	PM100016	OVEN TEMP FUSE	1	EA	
9	PM100017	CAVITY TEMPERATURE FUSE 150+C	1	EA	
10	PM100073	Magnetron	1	EA	
Not Shown	NOTE	(These parts may cause undue microwave exposure. Use EXTREME Caution)		EA	
11	PM100069	TURNTABLE MOTOR	1	EA	
Not Shown	NOTE	(These parts may cause undue microwave exposure. Use EXTREME Caution)		EA	
12	019082-000	POWER TRANSFORMER	1	EA	
13	PM100002	POWER CORD	1	EA	
14	019066-000	AH SENSOR	1	EA	
15	PM100008	NOISE FILTER	1	EA	
16	PM110009	BASE PLATE	1	EA	
17	PM110010	FOOT	4	EA	
18	PM110007	OUTERCASE CABINET	1	EA	
19	PM100013	H.V. CAPACITOR BAND	1	EA	
20	PM110017	CHASSIS SUPPORT	1	EA	
21	057735-000	LATCH HOOK	1	EA	
22	PM120006	SWITCH LEVER	1	EA	

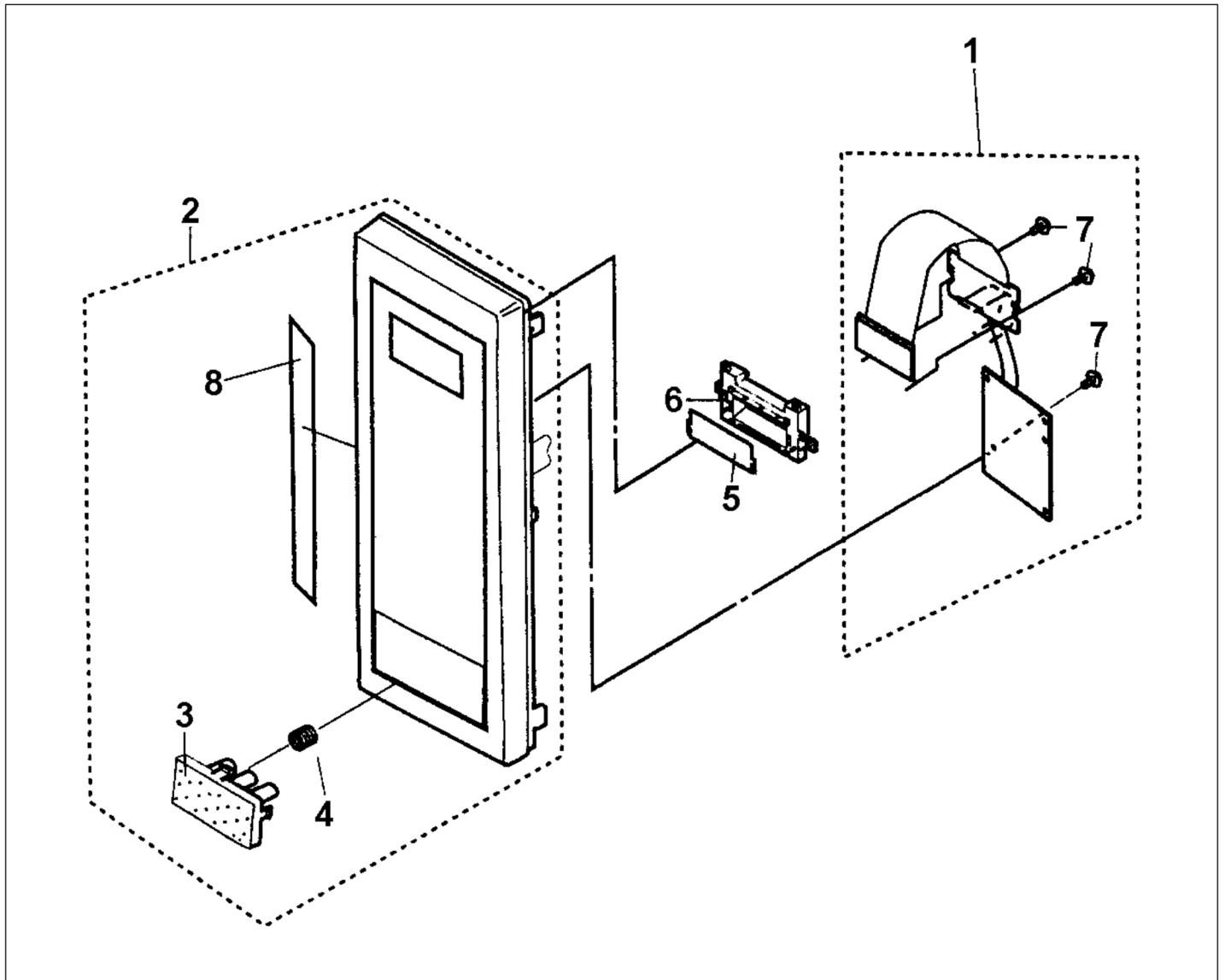


Item	Part No.	Name	Qty	Uom	NOTES
23	PM120013	MAGNETRON DUCT	1	EA	
24	028717-000	FAN BLADE	1	EA	
25	PM120011	FAN DUCT	1	EA	
26	Not Replaceable	Module Pan	1	EA	Not available online / Call for pricing and availability
27	PM110020	WAVEGUIDE COVER	1	EA	
28	PM120015	TURNTABLE MOTOR PACKING	1	EA	
29	PM120012	SENSOR DUCT	1	EA	
30	PM120010	CUSHION	1	EA	NO LONGER AVAILABLE
31	PM120009	TT MOTOR CUSHION	1	EA	
32	PM110016	ANGLE	1	EA	NO LONGER AVAILABLE
33	N/A	TURNTABLE SUPPORT	1	EA	
Not Shown	NOTE	(ORDER ITEM 54)		EA	
34	N/A	TT TRAY	1	EA	
Not Shown	NOTE	(ORDER ITEM 54)		EA	
35	PM120034	MONITOR CAUTION LABEL	1	EA	
36	PM120018	UL LABEL	1	EA	NO LONGER AVAILABLE, Not available online / Call for pricing and availability
37	PM120024	OPERATION MANUAL, TINSEB310MRR2	1	EA	
38	PM120035	RECIPE CARD TCADUB010MRR0	1	EA	Not available online / Call for pricing and availability
39	PM120036	MENU LABEL	1	EA	Not available online / Call for pricing and availability
40	PM120017	DHHS LABEL	1	EA	NO LONGER AVAILABLE, Not available online / Call for pricing and availability



Item	Part No.	Name	Qty	Uom	NOTES
41	PM120019	NHW CAUTION LABEL	1	EA	NO LONGER AVAILABLE, Not available online / Call for pricing and availability
42	PM120021	USER CAUTION LABEL	1	EA	NO LONGER AVAILABLE
43	PM120022	BIK CAUTION LABEL, TCAUSB007MRR0	1	EA	NO LONGER AVAILABLE, Not available online / Call for pricing and availability
44	PM120002	SPECIAL SCREW	6	EA	
45	PM120003	SCREW	2	EA	NO LONGER AVAILABLE
46	PM120028	SCREW W/WASHER	1	EA	NO LONGER AVAILABLE
47	PM120029	SCREW	1	EA	NO LONGER AVAILABLE
48	PM120030	SCREW, XOTSD40P12000	9	EA	
49	PM120025	SCREW	2	EA	NO LONGER AVAILABLE
50	PM120030	SCREW, XOTSD40P12000	2	EA	
51	PM120027	SCREW	3	EA	NO LONGER AVAILABLE
52	PM120037	CABINET SCREW XOTSE40P12000	1	EA	
53	PM120005	SCREW	2	EA	
54	077696-000	TURNTABLE TRAY AND SUPPORT KIT	1	EA	
NI	016087-000	CUSHION	1	EA	

CONTROL PANEL

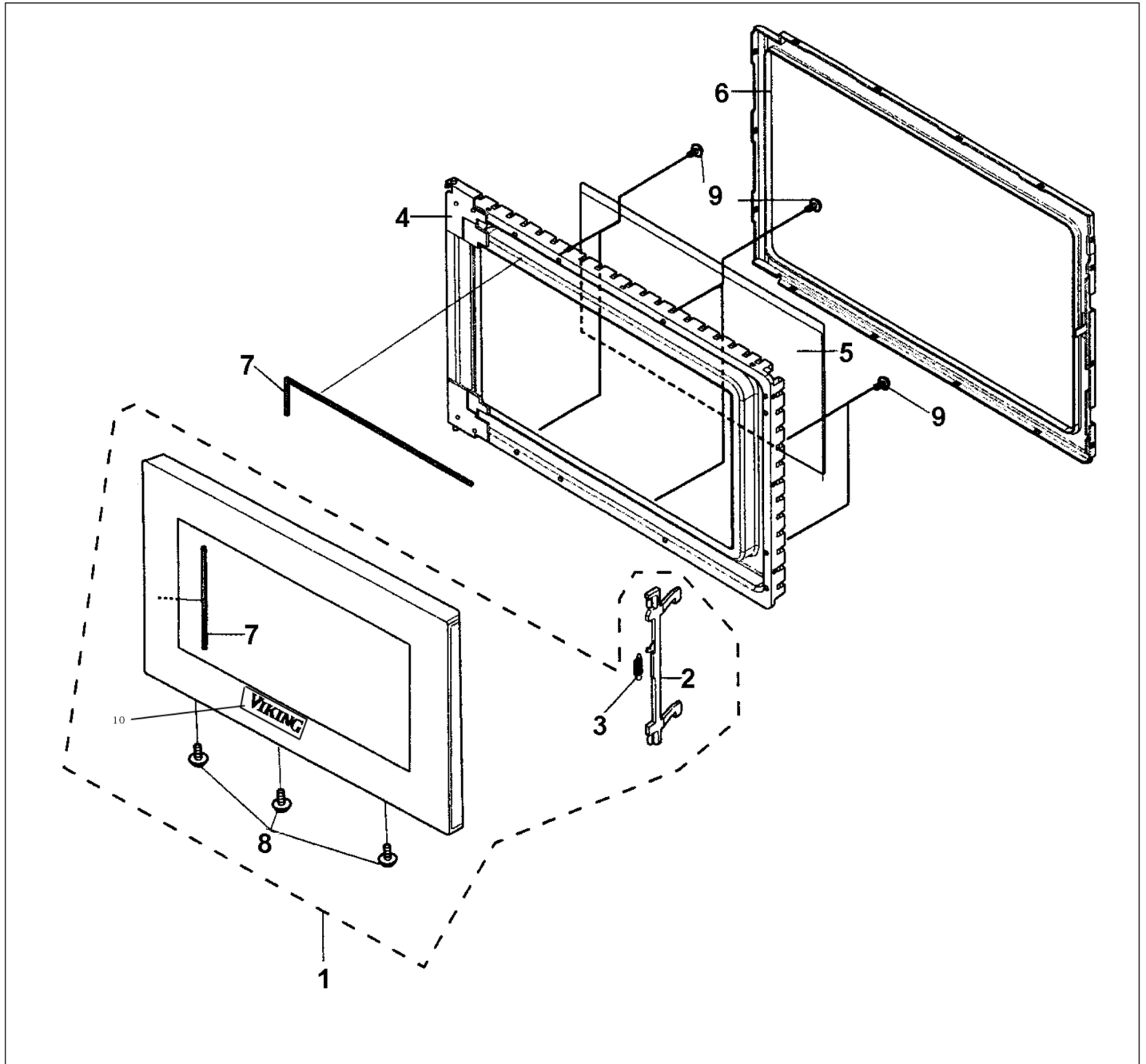


Item	Part No.	Name	Qty	Uom	NOTES
1	PM100001	CONTROL UNIT	1	EA	
2	028730-000	CONTROL PANEL FRAME WITH KEY UNIT (VMOS201SS)	1	EA	
Not Shown	028744-000	CONTROL PANEL FRAME WITH KEY UNIT (VMOS201BK)	1	EA	
Not Shown	001968-006	CONTROL PANEL FRAME W/KEY UNIT - WH	1	EA	NO LONGER AVAILABLE
Not Shown	001968-007	CONTROL PANEL FRAME W/KEY UNIT - AL	1	EA	NO LONGER AVAILABLE, Not available online / Call for pricing and availability
Not Shown	001968-003	CONTROL PANEL FRAME W/KEY UNIT - BT	1	EA	NO LONGER AVAILABLE
Not Shown	001968-004	CONTROL PANEL FRAME W/KEY UNIT - SG - NLA	1	EA	
Not Shown	001968-005	CONTROL PANEL FRAME W/KEY UNIT - GG	1	EA	NO LONGER AVAILABLE
Not Shown	001968-008	CONTROL PANEL FRAME WITH KEY UNIT (VMOS201BU)	1	EA	NO LONGER AVAILABLE, Not available online / Call for pricing and availability
Not Shown	001968-009	CONTROL PANEL FRAME W/KEY UNIT - LE	1	EA	NO LONGER AVAILABLE, Not available online / Call for pricing and availability
Not Shown	001968-010	CONTROL PANEL FRAME W/KEY UNIT - MJ	1	EA	NO LONGER AVAILABLE, Not available online / Call for pricing and availability
Not Shown	001968-011	CONTROL PANEL FRAME W/KEY UNIT - FG	1	EA	NO LONGER AVAILABLE, Not available online / Call for pricing and availability
Not Shown	001968-012	CONTROL PANEL FRAME W/KEY UNIT - VB	1	EA	
Not Shown	001968-013	CONTROL PANEL FRAME W/KEY UNIT - CB	1	EA	NO LONGER AVAILABLE, Not available online / Call for pricing and availability
Not Shown	001968-014	CONTROL PANEL FRAME W/KEY UNIT - EP	1	EA	NO LONGER AVAILABLE, Not available online / Call for pricing and availability



Item	Part No.	Name	Qty	Uom	NOTES
3	065218-000	Open button	1	EA	
4	PM120044	OPEN BUTTON SPRING	1	EA	
5	PM100015	LED SHEET	1	EA	
6	PM100014	LCD HOLDER	1	EA	NO LONGER AVAILABLE
7	PM120026	SCREW	1	EA	
8	PM120021	USER CAUTION LABEL	1	EA	NO LONGER AVAILABLE

DOOR ASSY

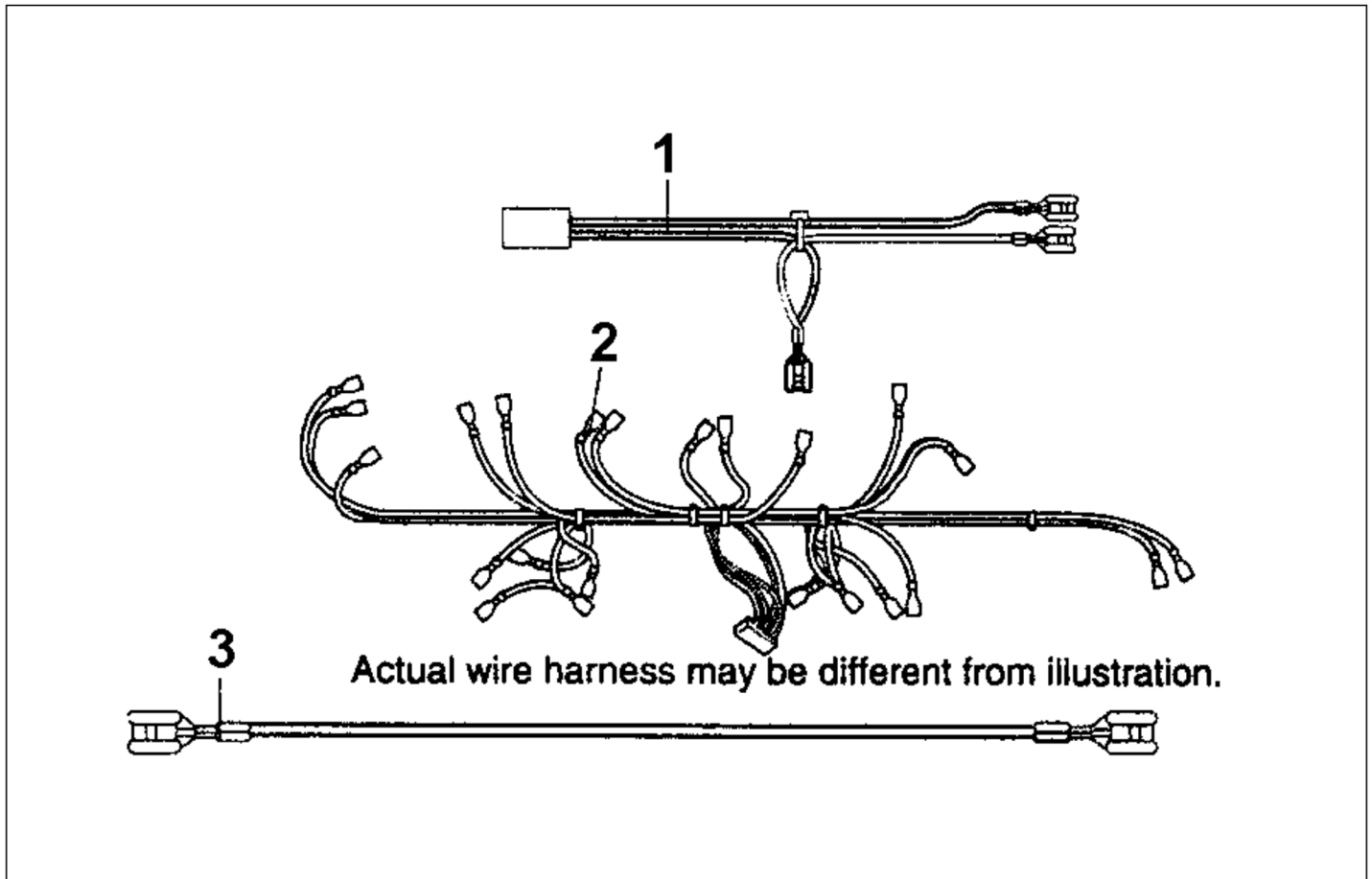




Item	Part No.	Name	Qty	Uom	NOTES
1	PM110001	DOOR FRAME ASSY, FCOV-B212MRK0 VIKING LOGO	1	EA	
Not Shown	001967-002	DOOR FRAME ASSY - BK	1	EA	Not available online / Call for pricing and availability
Not Shown	001967-006	DOOR FRAME ASSY - WH - NLA	1	EA	NO LONGER AVAILABLE
Not Shown	001967-007	DOOR FRAME ASSY - AL	1	EA	NO LONGER AVAILABLE, Not available online / Call for pricing and availability
Not Shown	001967-003	DOOR FRAME ASSY - BT	1	EA	
Not Shown	001967-004	DOOR FRAME ASSY - SG	1	EA	NO LONGER AVAILABLE, Not available online / Call for pricing and availability
Not Shown	001967-005	DOOR FRAME ASSY - GG	1	EA	NO LONGER AVAILABLE, Not available online / Call for pricing and availability
Not Shown	001967-008	DOOR FRAME ASSY - BU	1	EA	
Not Shown	001967-009	DOOR FRAME ASSY - LE	1	EA	NO LONGER AVAILABLE, Not available online / Call for pricing and availability
Not Shown	001967-010	DOOR FRAME ASSY - MJ	1	EA	NO LONGER AVAILABLE, Not available online / Call for pricing and availability
Not Shown	001967-011	DOOR FRAME ASSY - FG	1	EA	NO LONGER AVAILABLE, Not available online / Call for pricing and availability
Not Shown	001967-012	DOOR FRAME ASSY - VB	1	EA	Not available online / Call for pricing and availability
Not Shown	001967-013	DOOR FRAME ASSY - CB	1	EA	NO LONGER AVAILABLE, Not available online / Call for pricing and availability

Item	Part No.	Name	Qty	Uom	NOTES
Not Shown	001967-014	DOOR FRAME ASSY - EP	1	EA	NO LONGER AVAILABLE, Not available online / Call for pricing and availability
Not Shown	001967-015	DOOR FRAME ASSY - PL	1	EA	Not available online / Call for pricing and availability
2	PM120001	LATCH HEAD	1	EA	
3	PM120007	LATCH SPRING	1	EA	
4	PM110005	INNER DOOR PANEL	1	EA	
5	PM120016	SEALER FILM	1	EA	
6	PM110008	CHOKE COVER	1	EA	
7	PM120032	DOOR CUSHION PCUSUB058MRP0	1	EA	
8	PM120033	SCREW ; CONTROL PANEL MTG.	3	EA	
9	PM120026	SCREW	6	EA	
10	PE010020	LOGO - PROFESSIONAL - VRTR, *BK* ASSY	1	EA	

WIRING ASSY





Item	Part No.	Name	Qty	Uom	NOTES
1	PM100011	LOW VOLTAGE HARNESS	1	EA	
2	PM100012	MAIN WIRE HARNESS	1	EA	
3	PM100020	HIGH VOLTAGE WIRE A	1	EA	



Appendix A:Pages Index

CABINET PARTS ..... 1  
CONTROL PANEL ..... 2  
DOOR ASSY ..... 3  
WIRING ASSY ..... 4



Appendix B:Parts Index

		PM100001 .....	2
001967-002 .....	3	PM100002 .....	1
001967-003 .....	3	PM100005 .....	1
001967-004 .....	3	PM100008 .....	1
001967-005 .....	3	PM100011 .....	4
001967-006 .....	3	PM100012 .....	4
001967-007 .....	3	PM100013 .....	1
001967-008 .....	3	PM100014 .....	2
001967-009 .....	3	PM100015 .....	2
001967-010 .....	3	PM100016 .....	1
001967-011 .....	3	PM100017 .....	1
001967-012 .....	3	PM100018 .....	1
001967-013 .....	3	PM100020 .....	4
001967-014 .....	3	PM100028 .....	1
001967-015 .....	3	PM100065 .....	1
001968-003 .....	2	PM100069 .....	1
001968-004 .....	2	PM100073 .....	1
001968-005 .....	2	PM100081 .....	1
001968-006 .....	2	PM110001 .....	3
001968-007 .....	2	PM110005 .....	3
001968-008 .....	2	PM110007 .....	1
001968-009 .....	2	PM110008 .....	3
001968-010 .....	2	PM110009 .....	1
001968-011 .....	2	PM110010 .....	1
001968-012 .....	2	PM110016 .....	1
001968-013 .....	2	PM110017 .....	1
001968-014 .....	2	PM110020 .....	1
016087-000 .....	1	PM120001 .....	3
019066-000 .....	1	PM120002 .....	1
019082-000 .....	1	PM120003 .....	1
028717-000 .....	1	PM120005 .....	1
028723-000 .....	1	PM120006 .....	1
028730-000 .....	2	PM120007 .....	3
028744-000 .....	2	PM120009 .....	1
057735-000 .....	1	PM120010 .....	1
062583-000 .....	1	PM120011 .....	1
065214-000 .....	1	PM120012 .....	1
065218-000 .....	2	PM120013 .....	1
077696-000 .....	1	PM120015 .....	1
Not Replaceable .....	1	PM120016 .....	3
PE010020 .....	3	PM120017 .....	1



PM120018 ..... 1  
PM120019 ..... 1  
PM120021 ..... 1, 2  
PM120022 ..... 1  
PM120024 ..... 1  
PM120025 ..... 1  
PM120026 ..... 2, 3  
PM120027 ..... 1  
PM120028 ..... 1  
PM120029 ..... 1  
PM120030 ..... 1, 1  
PM120032 ..... 3  
PM120033 ..... 3  
PM120034 ..... 1  
PM120035 ..... 1  
PM120036 ..... 1  
PM120037 ..... 1  
PM120044 ..... 2