

This Owner's Manual is provided and hosted by [Appliance Factory Parts](#).



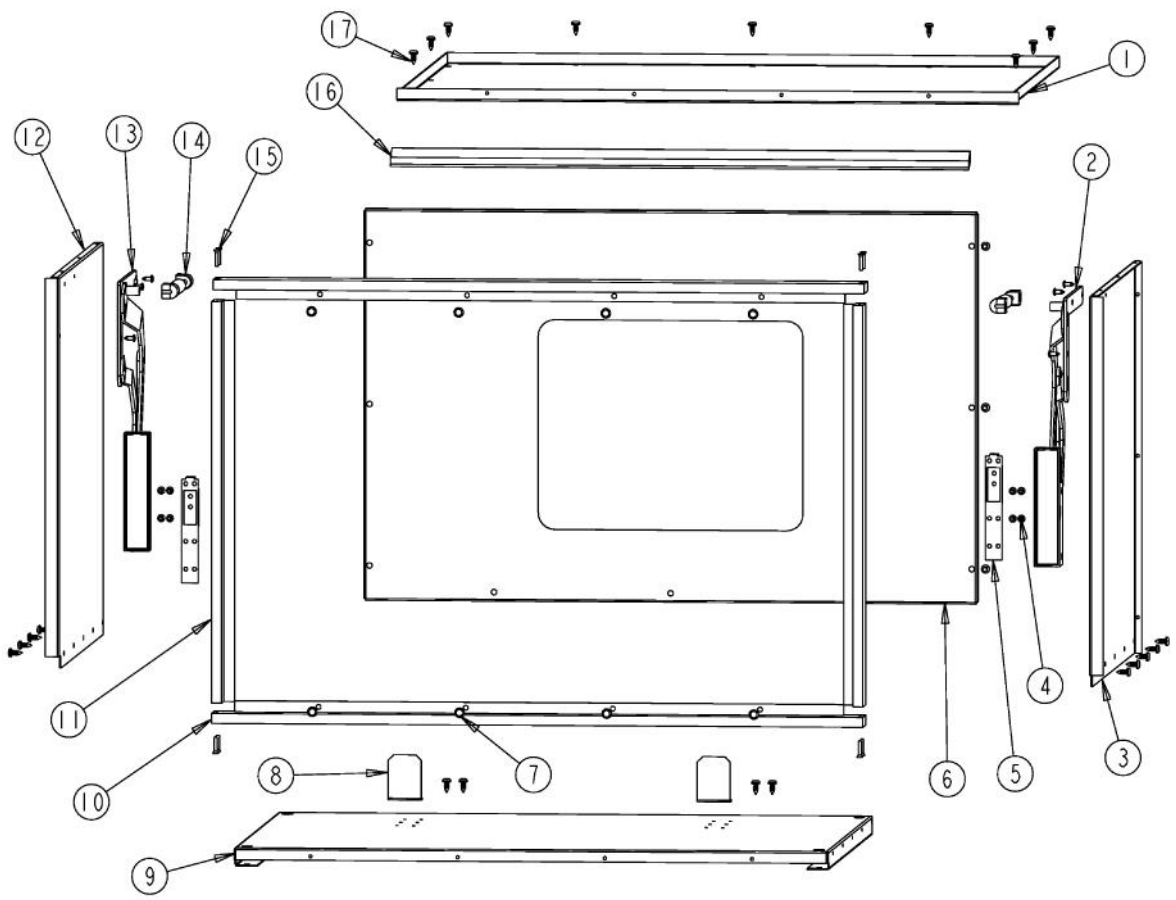
# VIKING VMWC102 Owner's Manual

[Shop genuine replacement parts for VIKING VMWC102](#)

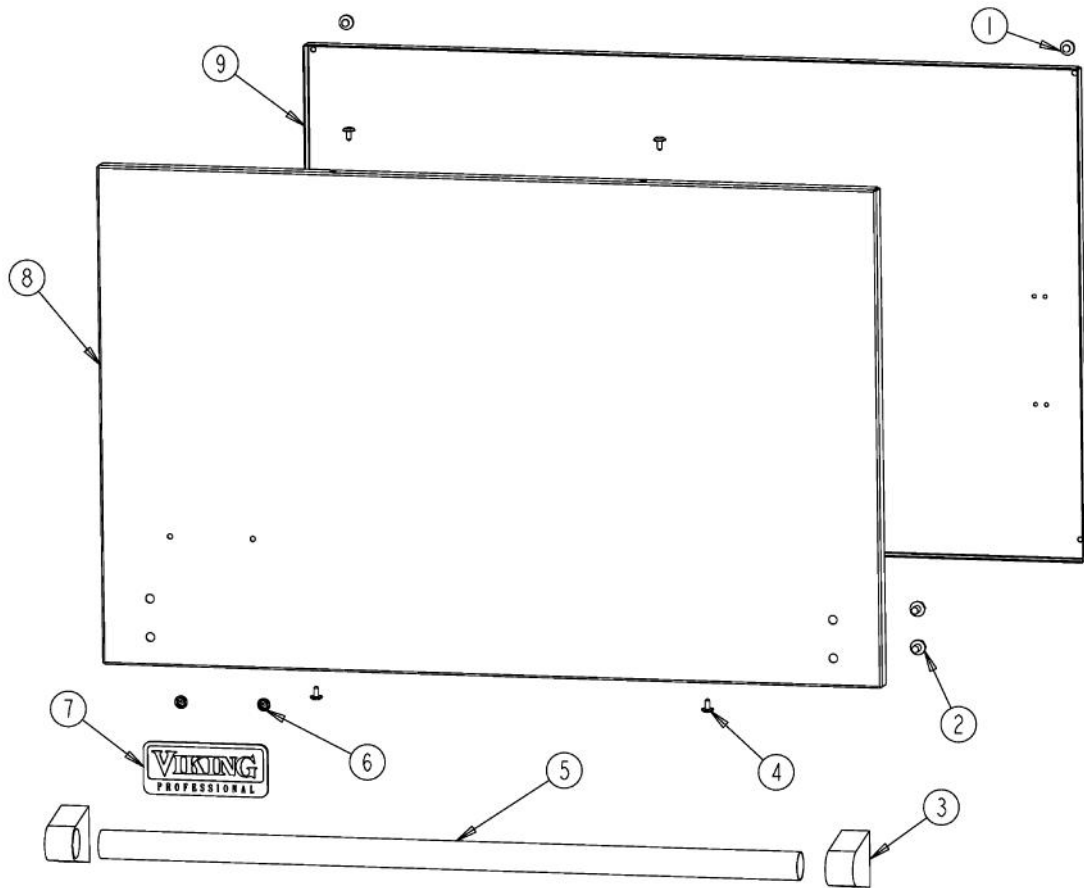


[Find Your VIKING Microwave Parts - Select From 37 Models](#)

----- Manual continues below -----



Ref #	Part Number	Qty.	Description
1	B20013413		OUTER TOP PANEL (VMWC102)
2	PC020100		LATERAL HINGE RH (VMWC/DMWC)
3	B20013492		O/S SIDE RH (VMWC102/DMWC101)
4	PD020100		NO.8 X 7/16 PHILLIP HD KNIFE SCREW
5	PC020101		DOOR FITTING RH/LH (VMWC/DMWC)
6	B20013495		30 REAR PANEL (VMWC102/DMWC101)
7	PD020032		SRW-8(A)X3/8PH.WFR HD 7/16DIAXNICL
8	B2003121		ADJUSTMENT BRKT (VMWC)
9	B20013498		MAIN BOTTOM (VMWC102)
10	PE040297		TOP/BOTTOM TRIM (VMWC102)
11	PE040301		SIDE TRIM (VMWC)
12	B20013493		O/S SIDE LH (VMWC102/DMWC101)
13	PC020099		LATERAL HINGE LH (VMWC/DMWC)
14	PC020102		PISTON
15	PD020150		NO.6 X 1/2 PH. CT. SK. SMS. ``SS``
16	PC020097		30 PROFILE ROD (VMWC101/DMWC100)
17	PD020087		10 X 1/2 PAN PH. TEK ZINC



Ref #	Part Number	Qty.	Description
1	PD040004		GROMMET BUMPER
2	PD010019		BLT-1/4-20X3/8HEX WASHER SERATED
3	PE030001		BRACKET, DOOR, HANDLE
	PE030001PVD		END CAP DOOR HANDLE XBR
4	PD020032		SRW-8(A)X3/8PH.WFR HD 7/16DIAXNICL
5	PE030179		30 PROF. DOOR HANDLE
	PE030179PVD		30 PROF. DOOR HANDLE XPVDX 24.907
6	PD030006		CAPPED WASHER PAL NUT
7	PE010016		NAMEPLATE, LOGO, PRO
	PE010079		4.5 LOGO/VIKING PROF, BK/BR
	PE010017		LOGO (VGSO,VEDO,VGDO,VUD) XWH/CHR
	PE010080		4.5 LOGO/VIKING PROF XWH/BR
8	B20013415		O/S DOOR PANEL (VMWC102)
	C90013415AL		OUTER DOOR PANEL (VMWC102) XALX
	C90013415BK		OUTER DOOR PANEL (VMWC102) XBKX
	C90013415BT		OUTER DOOR PANEL (VMWC102) XBTX
	C90013415BU		OUTER DOOR PANEL (VMWC102) XBUX
	C90013415CB		OUTER DOOR PANEL (VMWC102) XCBX
	C90013415EP		OUTER DOOR PANEL (VMWC102) XEPX
	C90013415FG		OUTER DOOR PANEL (VMWC102) XFGX
	C90013415GG		OUTER DOOR PANEL (VMWC102) XGGX
	C90013415LE		OUTER DOOR PANEL (VMWC102) XLEX
	C90013415MJ		OUTER DOOR PANEL (VMWC102) XMJX
	C90013415SG		OUTER DOOR PANEL (VMWC102) XSGX
	C90013415VB		OUTER DOOR PANEL (VMWC102) XVBX
	C90013415WH		OUTER DOOR PANEL (VMWC102) XWHX
9	B20013414		I/S DOOR PANEL (VMWC102)
NI	G32013416AL		DOOR ASSEMBLY 30 W (VMWC102) XALX
	G32013416ALBR		DOOR ASSEMBLY 30 W (VMWC102) XALXBRX
	G32013416BK		DOOR ASSEMBLY 30 W (VMWC102) XBKX
	G32013416BKBR		DOOR ASSEMBLY 30 W (VMWC102) XBKXBRX
	G32013416BT		DOOR ASSEMBLY 30 W (VMWC102) XBTX
	G32013416BTBR		DOOR ASSEMBLY 30 W (VMWC102) XBTXBRX
	G32013416BU		DOOR ASSEMBLY 30 W (VMWC102) XBUX
	G32013416BUBR		DOOR ASSEMBLY 30 W (VMWC102) XBUXBRX
	G32013416CB		DOOR ASSEMBLY 30 W (VMWC102) XCBX
	G32013416CBBR		DOOR ASSEMBLY 30 W (VMWC102) XCBXBRX
	G32013416EP		DOOR ASSEMBLY 30 W (VMWC102) XEPX
	G32013416EPBR		DOOR ASSEMBLY 30 W (VMWC102) XEPXBRX
	G32013416FG		DOOR ASSEMBLY 30 W (VMWC102) XFGX
	G32013416FGBR		DOOR ASSEMBLY 30 W (VMWC102) XFGXBRX
	G32013416GG		DOOR ASSEMBLY 30 W (VMWC102) XGGX
	G32013416GGBR		DOOR ASSEMBLY 30 W (VMWC102) XGGXBRX
	G32013416LE		DOOR ASSEMBLY 30 W (VMWC102) XLEX
	G32013416LEBR		DOOR ASSEMBLY 30 W (VMWC102) XLEXBRX
	G32013416MJ		DOOR ASSEMBLY 30 W (VMWC102) XMJX
	G32013416MJBR		DOOR ASSEMBLY 30 W (VMWC102) XMJXBRX
	G32013416SG		DOOR ASSEMBLY 30 W (VMWC102) XSGX
	G32013416SGBR		DOOR ASSEMBLY 30 W (VMWC102) XSGXBRX
	G32013416SS		DOOR ASSEMBLY 30 W (VMWC102) XSSX
	G32013416SSBR		DOOR ASSEMBLY 30 W (VMWC102) XSSXBRX
	G32013416VB		DOOR ASSEMBLY 30 W (VMWC102) XVBX
	G32013416VBBR		DOOR ASSEMBLY 30 W (VMWC102) XVBXBRX
	G32013416WH		DOOR ASSEMBLY 30 W (VMWC102) XWHX
	G32013416WHBR		DOOR ASSEMBLY 30 W (VMWC102) XWHXBRX