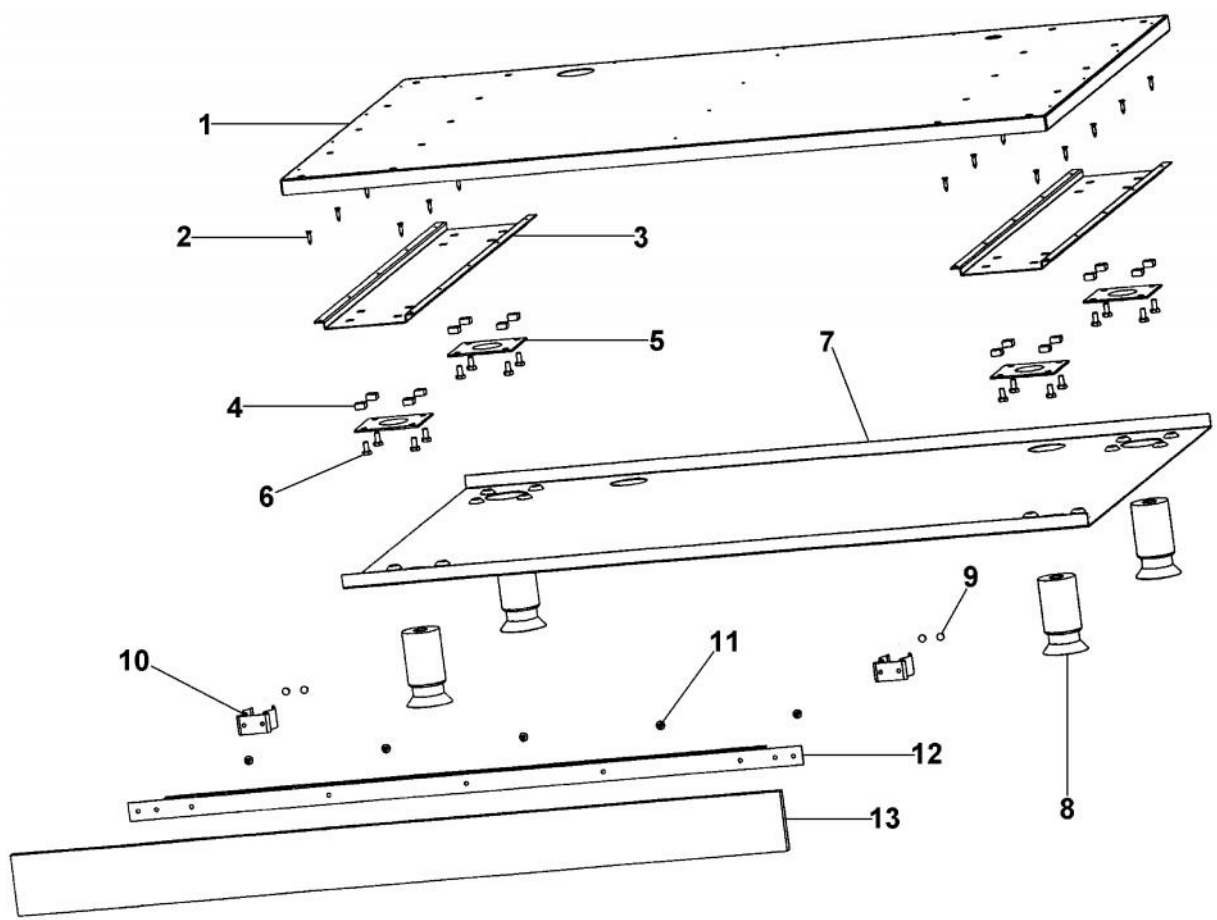
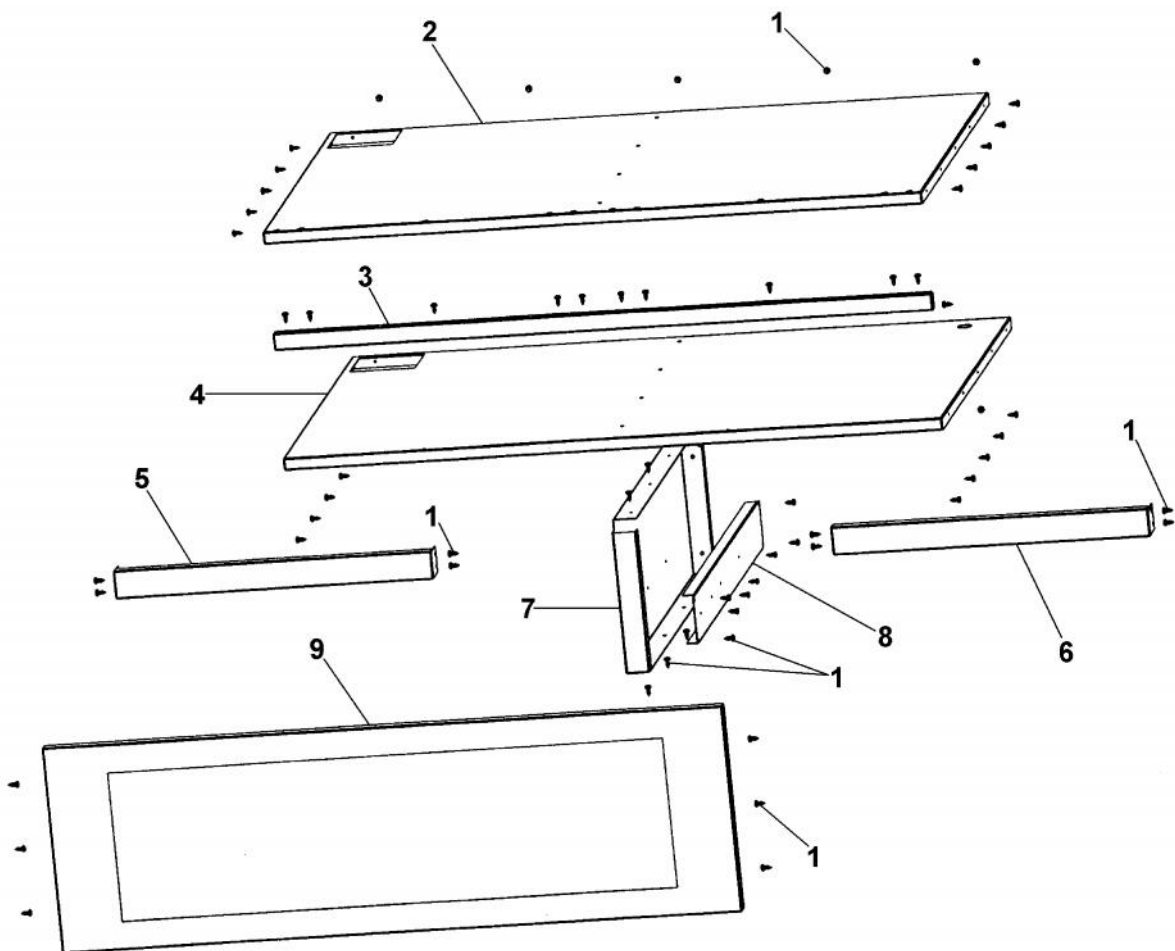


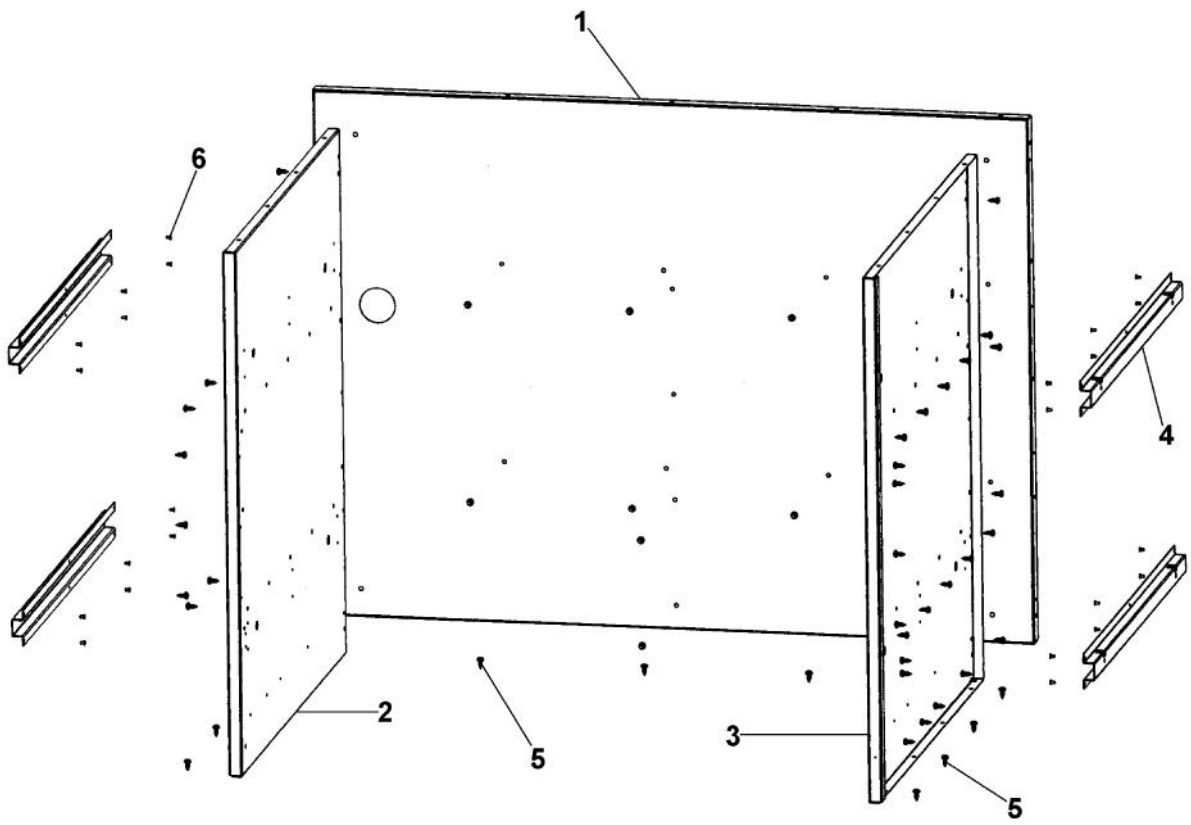
Ref #	Part Number	Qty.	Description
1	B20014809		DRAWER REAR (VQWO4021)
2	B20014808		DRAWER (VQWO4021)
3	PC080010		SLIDE
4	PC040019		POP RIVET (0.125 GR X 0.156 DIA)
5	PD040004		GROMMET BUMPER
6	PD020120		8 X 1/2 TEK SHEET METAL SCREW
7	B20014806		INNER DRAWER DOOR (VQWO4120)
8	B20013950		HANDLE BRACKET (VBO/VTPO18)
9	B30014805		OUTER DRAWER DOOR (VQWO4120)
10	PD020139		NO.8 X 1/2 P.H. FLAT TOP TRUSS U/C NO.2 TYPE AB 30 SS/...
11	PD020056		NO.10-24 X 1/2 PH.TR. M.S. SS
12	PE030189		CABINET HANDLE
13	PE030187		ENDCAP, TUBE
No.	G32014807SS		FRONT DRAWER ASSY (VQWO4120)



Ref #	Part Number	Qty.	Description
1	B20014697		MAIN BOTTOM (VQWO4120)
2	PD020061		NO.8 X 3/4 FLAT HD TEK. SS.
3	A20013935		LEG BRACE (VQBO3021)
4	PD030043		1/4-20 CAGE NUT SS
5	PC030007		LEG PLATE - 3/4 THREADED HOLE
6	PD010006		HEX HD. BOLT - 1/4-20 X 1/2
7	B20014698		BOTTOM COVER (VQWO4120)
8	PC030017		4 LEG ASSY
9	PC040003		POP RIVET - SB64 3/16DIA.X 3/8
10	PD030002		LOWER ACC PAN SPRING CLAMP (SYWE1)
11	PD020002		10 X 1/2 PH.TR.HD.SMS.
12	A20014819		KICK PLATE MOUNT BRKT (VQWO4120)
13	PK030479		KICK PLATE (41) 42.000 X 3.250



Ref #	Part Number	Qty.	Description
1	PD020055		NO.10 X 1/2 PAN PHIL. TEK. SS
2	B20014800		CABINET TOP (VQWO4120)
3	B20014865		TOP SUPPORT (VQWO4120)
4	B20014802		MIDDLE SUPPORT (VQWO4120)
5	B20014810		LH DRAWER DIVIDER (VQWO4120)
6	B20014811		RH DRAWER DIVIDER (VQWO4120)
7	B20014801		I/S MIDDLE WALL (VQWO4120)
8	B20013954		DRAWER MOUNT BRACKET (VQBO3021)
9	B30014803		FRONT FASCIA (VQWO4120)



Ref #	Part Number	Qty.	Description
1	B20014699		CABINET REAR (VQWO41)
2	B20014688		LH I/S SIDE (VQWO30/41)
3	B20014687		RH I/S SIDE (VQWO30/41)
4	A20013956		MOUNT BRACKET (CABINETS)
5	PD020055		NO.10 X 1/2 PAN PHIL. TEK. SS
6	PC040014		POP RIVOT-SS42 SS