

This Owner's Manual is provided and hosted by [Appliance Factory Parts](#).



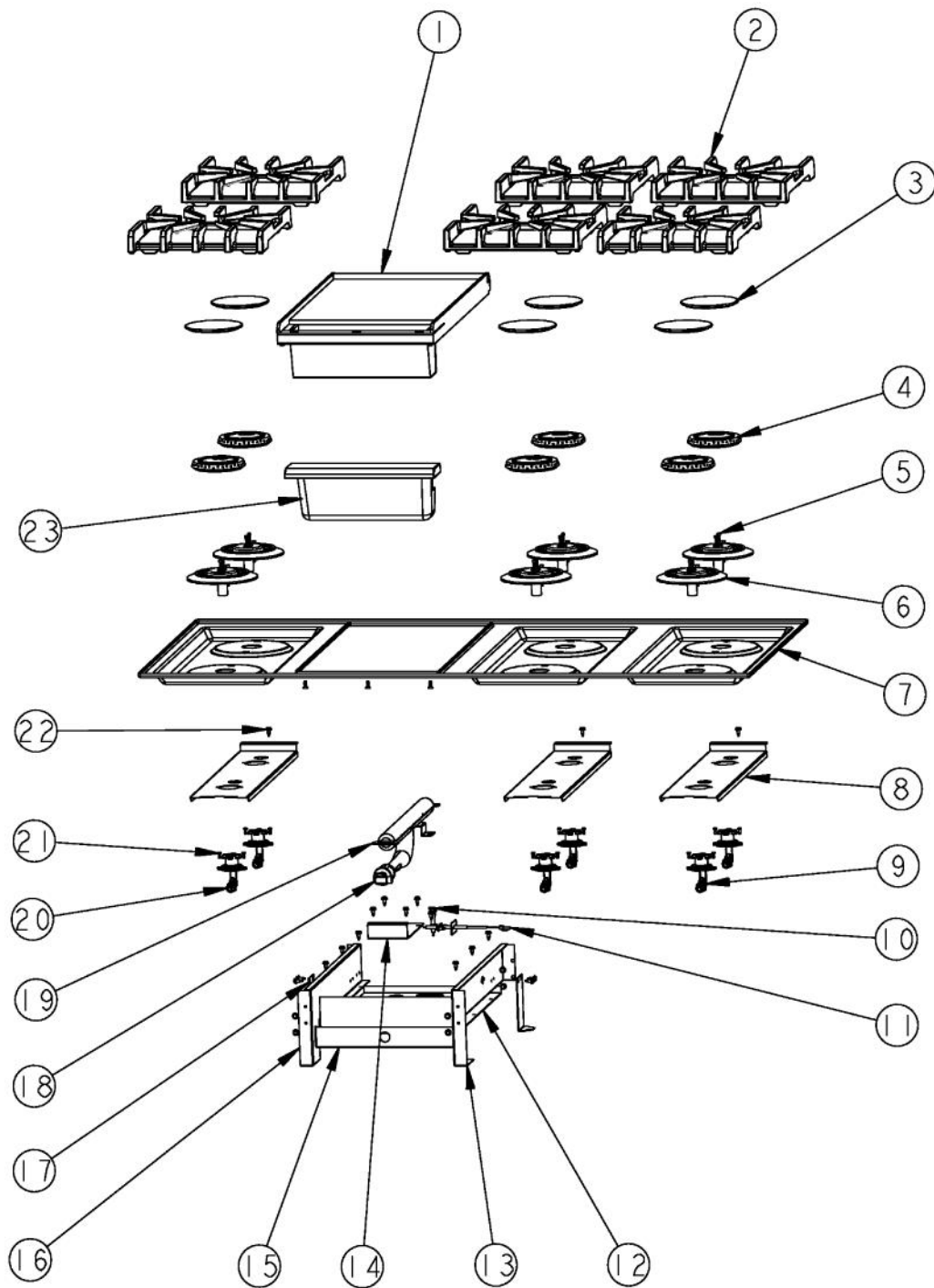
# VIKING VGRT5486G Owner's Manual

[Shop genuine replacement parts for VIKING  
VGRT5486G](#)

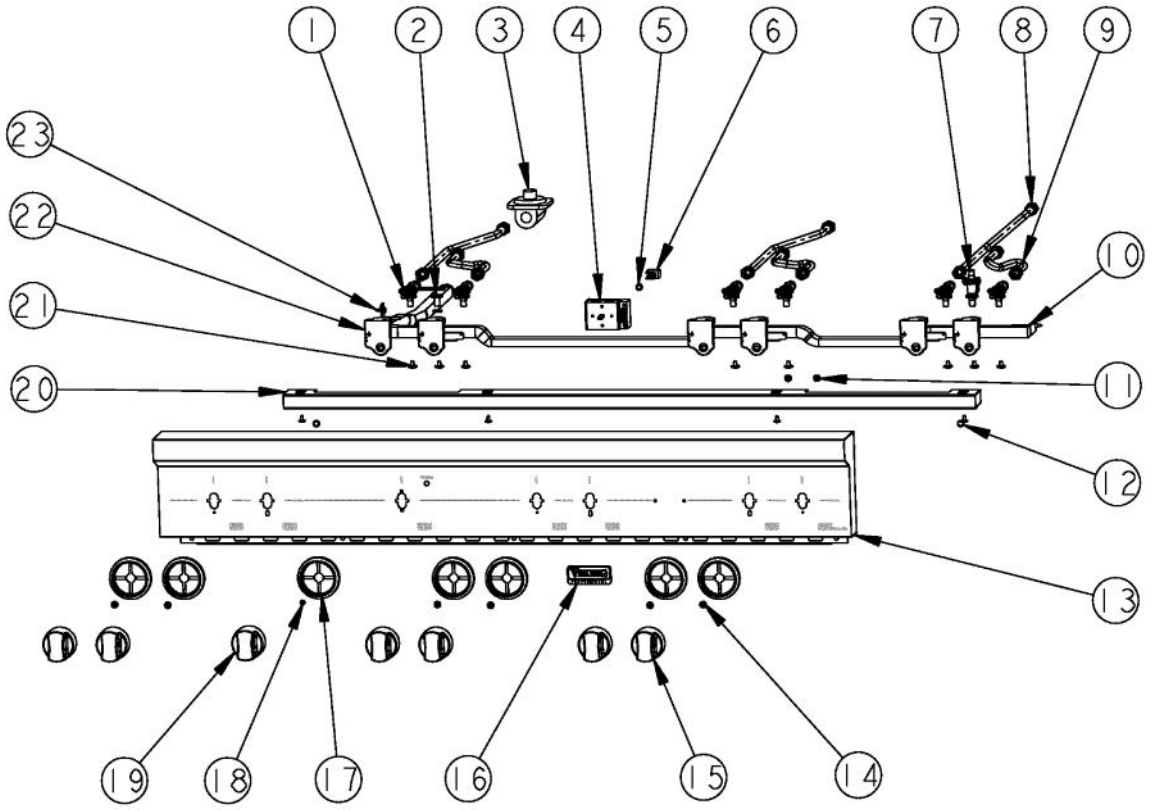


[Find Your VIKING Range Hoods Parts - Select From 411 Models](#)

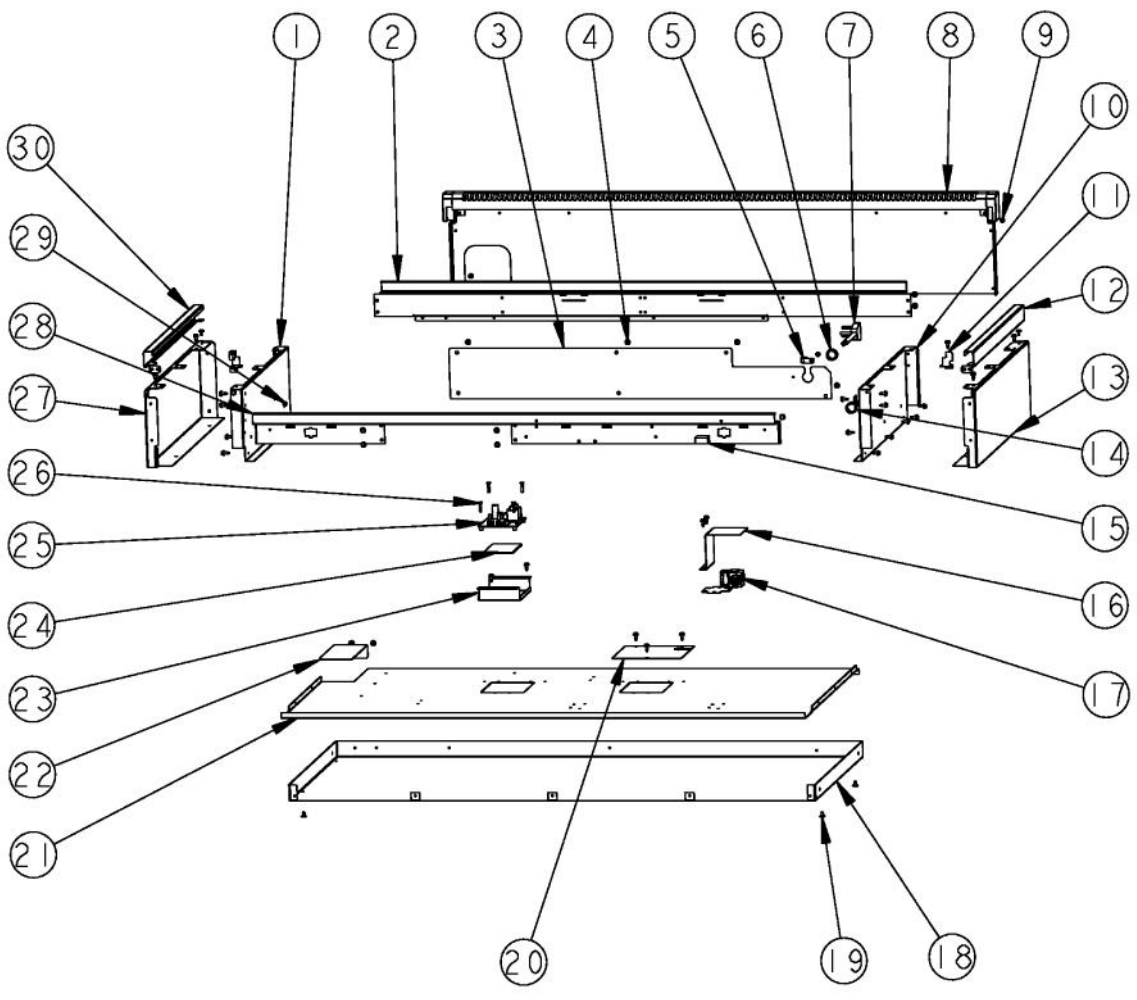
----- Manual continues below -----



Ref #	Part Number	Qty.	Description
1	012291-000	1	GRIDDLE ASM, CUSTOM RANGES
2	007323-000	6	BURNER GRATE
3	PA080083	6	D BURNER CAP XMATTE BLACKX
4	006706-000	6	B6 REV SEALED BURNER
5	009197-000	12	NO.6-32 X 5/8 18-8 SS NC SOC CAP
6	003322-041	6	SEALED BURNER BASE, PAINTED FINISH
7	E9109801BK	1	48 SEALED COOKTOP 6BG & 6BQ XBKX
8	002923-000	3	BURNER MODULE SUPPORT
9	001394-041	2	18500 BTU NAT JETHOLDER
9	001394-044	2	16.6 K BTU LP JETHOLDER
10	PA020028	1	SPARK IGNITER
11	007008-000	1	RTD PROBE
12	013953-000	1	GRIDDLE, BOX, BOTTOM, CUSTOM G RANGES
13	009097-000	1	RIGHT GRIDDLE SUPPORT, 36
14	006785-000	1	GRIDDLE, BOX, VENTURI, COVER
15	006785-000	1	GRIDDLE, BOX, VENTURI, COVER
16	006783-000	1	GRIDDLE BRKT, ORIFICE, CUSTOM RANGES
17	010649-000	2	FOOT, GRIDDLE BOX , VG536-4G
18	PB040190	1	90 DEGREE ORIFICE FITTING NO.50 NAT
18	002513-000	1	90 DEGREE ORIFICE FITTING NO.57 LP
19	013888-000	1	GRIDDLE, BURNER, ASM, NAT, W/IGNITOR BRACKET
20	001394-042	4	15000 BTU NAT JETHOLDER
20	001394-046	4	12.5 K BTU LP JETHOLDER
21	PD020076	4	6-32 X 3/8 PHILL PAN MS
22	003860-000	33	NO.10-18 X .500 FASTNR,SCR,HXWH,STL,ZPLT
23	012167-000	1	TROUGH, ASM
NI	015357-000	1	IGNITOR, W/WIRE
NI	006766-000	3	IRIS IGNITOR WIRE, BACK BURNER
NI	000647-000	3	IRIS IGNITOR WIRE, FRONT BURNER



Ref #	Part Number	Qty.	Description
1	006015-000	6	VALVE, BRS, SEALED TOP - ISPHORDING
2	002884-000	1	MANIFOLD PLUG
3	PA070001	1	PRESSURE REGULATOR (NAT.)
4	012235-000	1	ELECTRONIC THERMOSTAT - 2 POS. W/O LEADS
5	PE050023	1	OVEN IND. LIGHT (LENS & BEZEL)
6	PE050072	1	LENS OPENING (250 VOLT)
7	PB030007	1	SHUT OFF VALVE
8	PB020193	3	16 FLEX TUBING W/CONNECTORS
9	PB020192	1	10 FLEX TUBING W/CONNECTORS
NI	PB020111	1	3/8 SS FLEX TUBING - 27 T6-27
NI	PB040050	2	3/8CC MALE COMP. FITTING W/FERRULE
NI	PB020112	1	3/8 SS FLEX TUBING - 36 T6-36
NI	PB020193	1	16 FLEX TUBING W/CONNECTORS
NI	PB020126	2	3/8` S.S. FLEX TUBING 15` (DGCU)
NI	PB040192	1	3/8` CC FERREL (DGCU)
NI	PB040213	1	3/8 COMPRESSION NUT (DGCU)
10	008300-000	1	MANIFOLD, GAS, VDSC548-6G
11	PD030006	2	CAPPED WASHER PAL NUT
12	PD020032	6	SRW-8(A)X3/8PH.WFR HD 7/16DIAXNICL
13	014380-000	1	CONTROL, PANEL, ASM, VGRT548-6G
14	PD020046	6	NO.8 X 1/2 SCREWS
15	005269-000	6	RANGE TOP BURNER KNOB-BRUSHED, SSS
15	PB010285	6	SURFACE BURNER KNOB - WH
16	PE010142	1	3 LOGO XBKXXCHROME
17	PB010304	7	KNOB BEZEL
17	PB010304PVD	7	RESTYLE KNOB BEZEL, BR
18	PD020062	2	NO.8-32 X 3/8 PHMS TYPE 1
19	006570-000	1	KNOB, GRDL/(LH OVEN), ASM, PVD, NO.3, SSS
19	007474-000	1	KNOB, GRDL/(LH OVEN), ASM, WHT
20	011717-000	1	TRIM ASM
21	PD010012	8	VALVE BOLT 1/4-20 UNC-2B 5/16 M.S.
22	PA020058	6	IRIS SINGLE SPARK MODULE
23	003860-000	2	NO.10-18 X .500 FASTNR,SCR,HXWH,STL,ZPLT



Ref #	Part Number	Qty.	Description
1	003481-000	1	BURNER BOX SIDE, LH
2	008464-000	1	BRNR BOX,REAR,FLAT,SUPPORT,VDSC5484GQ 48
3	014327-000	1	RANGETOP, PANEL, BACK, VGRT548
4	003860-000	45	NO.10-18 X .500 FASTNR,SCR,HXWH,STL,ZPLT
5	PD030148	1	CLAMP CABLE ALUMINUM .500 DIA. (AL-8 CLAMP)
6	PD040005	1	SNAP BUSHING - 7/8
7	PE070128	1	SUPPLY CORD (VGRT/SC/SS/RC)
8	008831-000	1	ISLAND TRIM, ASM, 48 CUSTOM
9	PD020055	4	NO.10 X 1/2 PAN PHIL. TEK. SS
10	002755-000	1	BURNER BOX SIDE, RH
11	004021-000	2	SUPPORT,TRIM,SIDE
12	002920-000	1	SIDE TRIM, RH - STAINLESS
13	008100-000	1	PANEL, RH RANGETOP
14	PD030109	1	INSULATED CLAMP
15	PE070071	1	DISCONNECT BLOCK XALX 770027-1
16	009402-000	1	SOLENOID HEAT SHIELD COVER
17	009111-000	1	VALVE, SOL, SINGLE
18	014324-000	1	RANGETOP, PANEL, BTM, VGRT548
19	PD020032	8	SRW-8(A)X3/8PH.WFR HD 7/16DIAXNICL
20	008904-000	1	BURNER BOX, DSI COVER
21	006240-000	1	BURNER BOX BOTTOM,FLAT,VDSC548
22	007793-000	1	PLATE, SVCE,FLAT,REGULATOR,VDSC548
23	014306-000	1	BRACKET,SUPT,BOT,DSI BOARD,VGRT536-4G
24	PB070191	1	INSULATION PAD
25	PA020056	1	TYTRONICS DSI MODULE (BEFORE 01/13/11)
25	023651-000	1	DSI120 LONG PURGE (ON OR AFTER 01/13/11)
26	PD020046	4	NO.8 X 1/2 SCREWS
27	008101-000	1	PANEL, LH, RANGETOP
28	008461-000	1	SUPPORT, FRONT
29	PD020010	2	10 X 3/8 GREEN GROUNDING SCREW
30	003649-000	1	SIDE TRIM, LH - STAINLESS