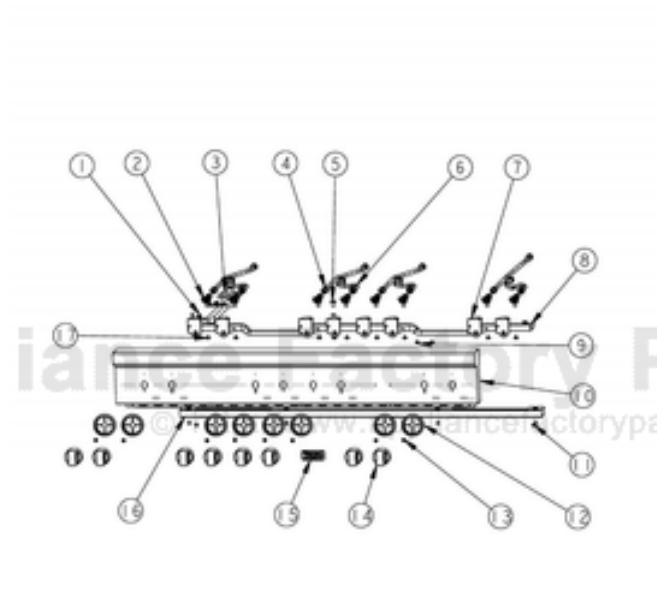


This Owner's Manual is provided and hosted by [Appliance Factory Parts](#).



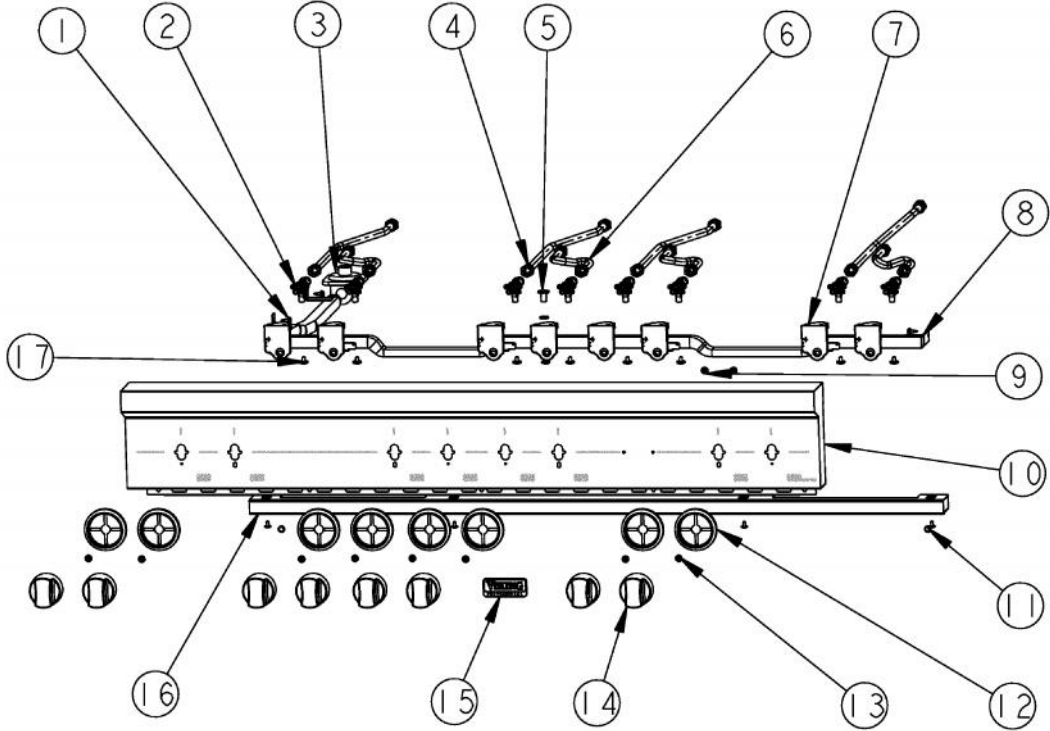
VIKING VGRT5488B Owner's Manual

[Shop genuine replacement parts for VIKING VGRT5488B](#)

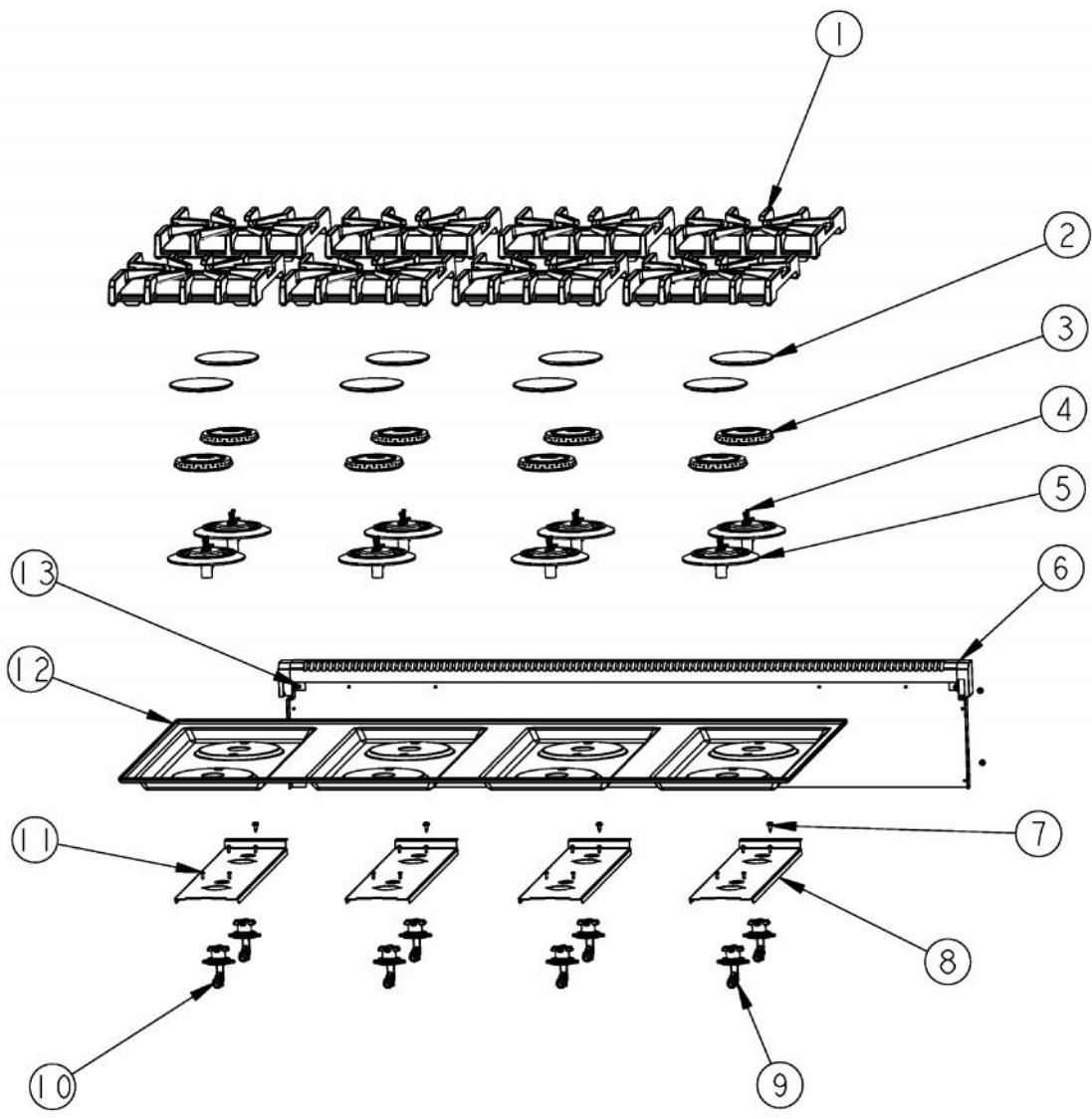


[Find Your VIKING Range Hoods Parts - Select From 411 Models](#)

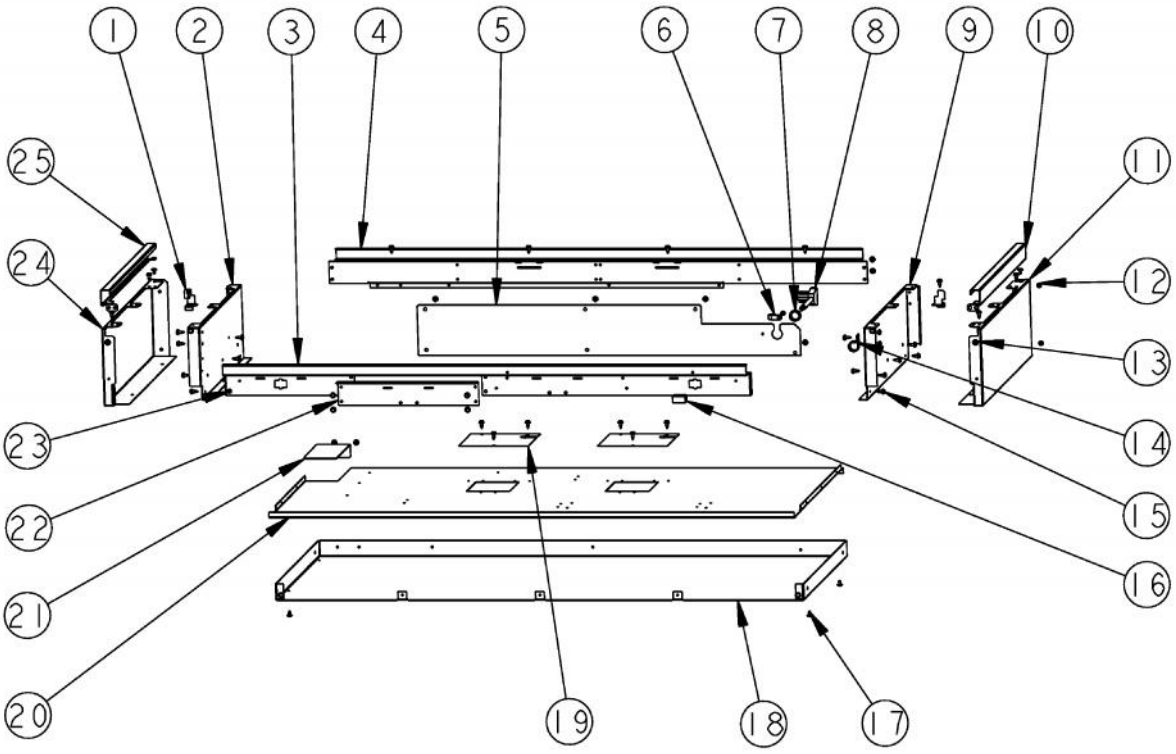
----- Manual continues below -----



| Ref # | Part Number | Qty. | Description |
|-------|-------------|------|--|
| 1 | 003860-000 | 3 | NO.10-18 X .500 FASTNR,SCR,HXWH,STL,ZPLT |
| 2 | 006015-000 | 8 | VALVE, BRS, SEALED TOP - ISPHORDING |
| 3 | PA070001 | 1 | PRESSURE REGULATOR (NAT.) |
| 4 | PB020193 | 4 | 16 FLEX TUBING W/CONNECTORS |
| 5 | 002884-000 | 1 | MANIFOLD PLUG |
| 6 | PB020192 | 4 | 10 FLEX TUBING W/CONNECTORS |
| 7 | PA020058 | 8 | IRIS SINGLE SPARK MODULE |
| 8 | 006712-000 | 1 | MANIFOLD, GAS, VDSC48- 8B/6Q |
| 9 | PD030006 | 2 | CAPPED WASHER PAL NUT |
| 10 | 014388-000 | 1 | CONTROL, PANEL, ASM, VGRT548-8B |
| 11 | PD020032 | 6 | SRW-8(A)X3/8PH.WFR HD 7/16DIAXNICL |
| 12 | PB010304 | 8 | KNOB BEZEL |
| 13 | PD020046 | 8 | NO.8 X 1/2 SCREWS |
| 14 | 005269-000 | 8 | RANGE TOP BURNER KNOB-BRUSHED, SSS |
| 15 | PE010142 | 1 | 3 LOGO XBKXXCHROME |
| 16 | 011717-000 | 1 | TRIM ASM |
| 17 | PD010012 | 9 | VALVE BOLT 1/4-20 UNC-2B 5/16 M.S. |



| Ref # | Part Number | Qty. | Description |
|-------|-------------|------|--|
| 1 | 007323-000 | 8 | BURNER GRATE |
| 2 | PA080083 | 8 | D BURNER CAP XMATTE BLACKX |
| 3 | 006706-000 | 8 | B6 REV SEALED BURNER |
| 4 | 009197-000 | 16 | NO.6-32 X 5/8 18-8 SS NC SOC CAP |
| 5 | 003322-041 | 8 | SEALED BURNER BASE, PAINTED FINISH |
| 6 | 008831-000 | 1 | ISLAND TRIM, ASM, 48 CUSTOM |
| 7 | 003860-000 | 17 | NO.10-18 X .500 FASTNR,SCR,HXWH,STL,ZPLT |
| 8 | 002923-000 | 4 | BURNER MODULE SUPPORT |
| 9 | 001394-041 | 1 | 18500 BTU NAT JETHOLDER |
| 10 | 001394-042 | 7 | 15000 BTU NAT JETHOLDER |
| 11 | PD020076 | 16 | 6-32 X 3/8 PHILL PAN MS |
| 12 | E9109800BK | 1 | 48 SEALED COOKTOP 8B XBKX |
| 13 | PD020055 | 4 | NO.10 X 1/2 PAN PHIL. TEK. SS |



| Ref # | Part Number | Qty. | Description |
|-------|-------------|------|---|
| 1 | 004021-000 | 2 | SUPPORT,TRIM,SIDE |
| 2 | 003481-000 | 1 | BURNER BOX SIDE, LH |
| 3 | 008461-000 | 1 | SUPPORT, FRONT |
| 4 | 008464-000 | 1 | BRNR BOX,REAR,FLAT,SUPPORT,VDSC5484GQ 48 |
| 5 | 014327-000 | 1 | RANGETOP, PANEL, BACK, VGRT548 |
| 6 | PD030148 | 1 | CLAMP CABLE ALUMINUM .500 DIA. (AL-8 CLAMP) |
| 7 | PD040005 | 1 | SNAP BUSHING - 7/8 |
| 8 | PE070128 | 1 | SUPPLY CORD (VGRT/SC/SS/RC) |
| 9 | 002755-000 | 1 | BURNER BOX SIDE, RH |
| 10 | 002920-000 | 1 | SIDE TRIM, RH - STAINLESS |
| 11 | 008100-000 | 1 | PANEL, RH RANGETOP |
| 12 | PD020055 | 2 | NO.10 X 1/2 PAN PHIL. TEK. SS |
| 13 | 003801-000 | 2 | SHOULDER SCREW, NO.10 |
| 14 | PD030109 | 1 | INSULATED CLAMP |
| 15 | 003860-000 | 50 | NO.10-18 X .500 FASTNR,SCR,HXWH,STL,ZPLT |
| 16 | PE070071 | 1 | DISCONNECT BLOCK XALX 770027-1 |
| 17 | PD020032 | 10 | SRW-8(A)X3/8PH.WFR HD 7/16DIAXNICL |
| 18 | 014324-000 | 1 | RANGETOP, PANEL, BTM, VGRT548 |
| 19 | 008904-000 | 2 | BURNER BOX, DSI COVER |
| 20 | 006240-000 | 1 | BURNER BOX BOTTOM,FLAT,VDSC548 |
| 21 | 007793-000 | 1 | PLATE, SVCE,FLAT,REGULATOR,VDSC548 |
| 22 | 012771-000 | 1 | RANGETOP, BRKT, FR, VDSC CUSTOM |
| 23 | PD020010 | 2 | 10 X 3/8 GREEN GROUNDING SCREW |
| 24 | 008101-000 | 1 | PANEL, LH, RANGETOP |
| 25 | 003649-000 | 1 | SIDE TRIM, LH - STAINLESS |