

This Owner's Manual is provided and hosted by [Appliance Factory Parts](#).



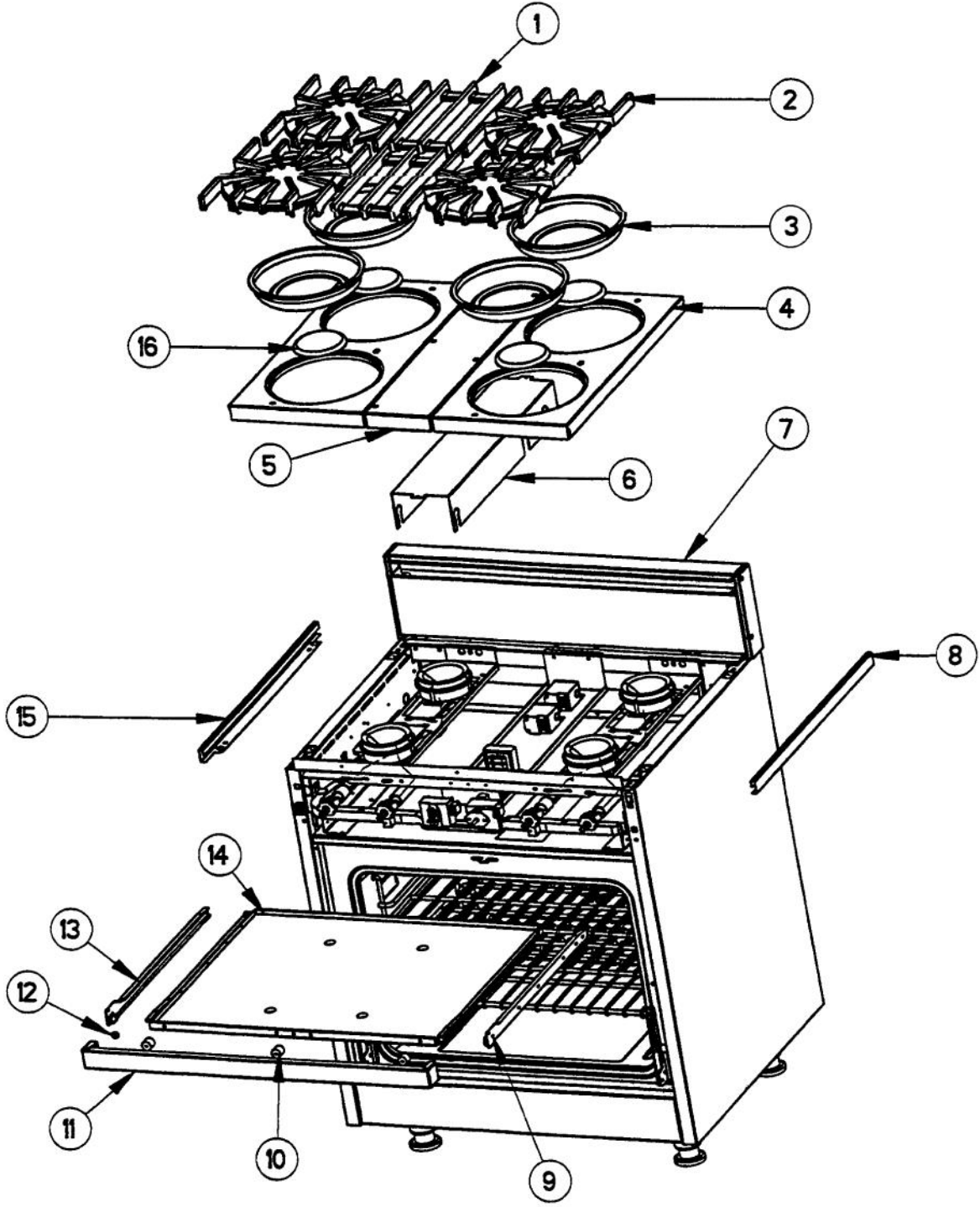
# VIKING VGSC306 Owner's Manual

[Shop genuine replacement parts for VIKING VGSC306](#)



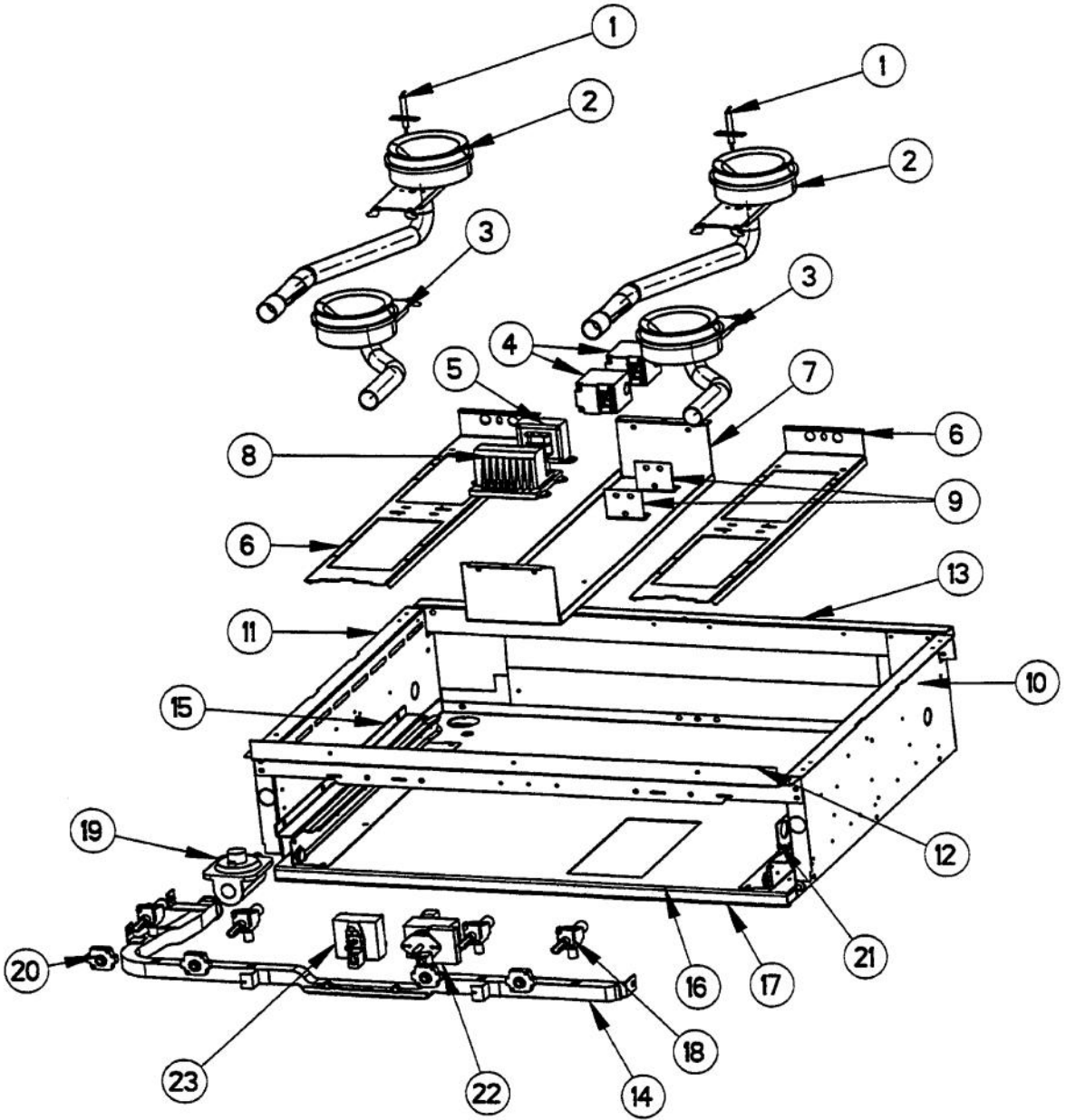
[Find Your VIKING Range Hoods Parts - Select From 411 Models](#)

----- Manual continues below -----

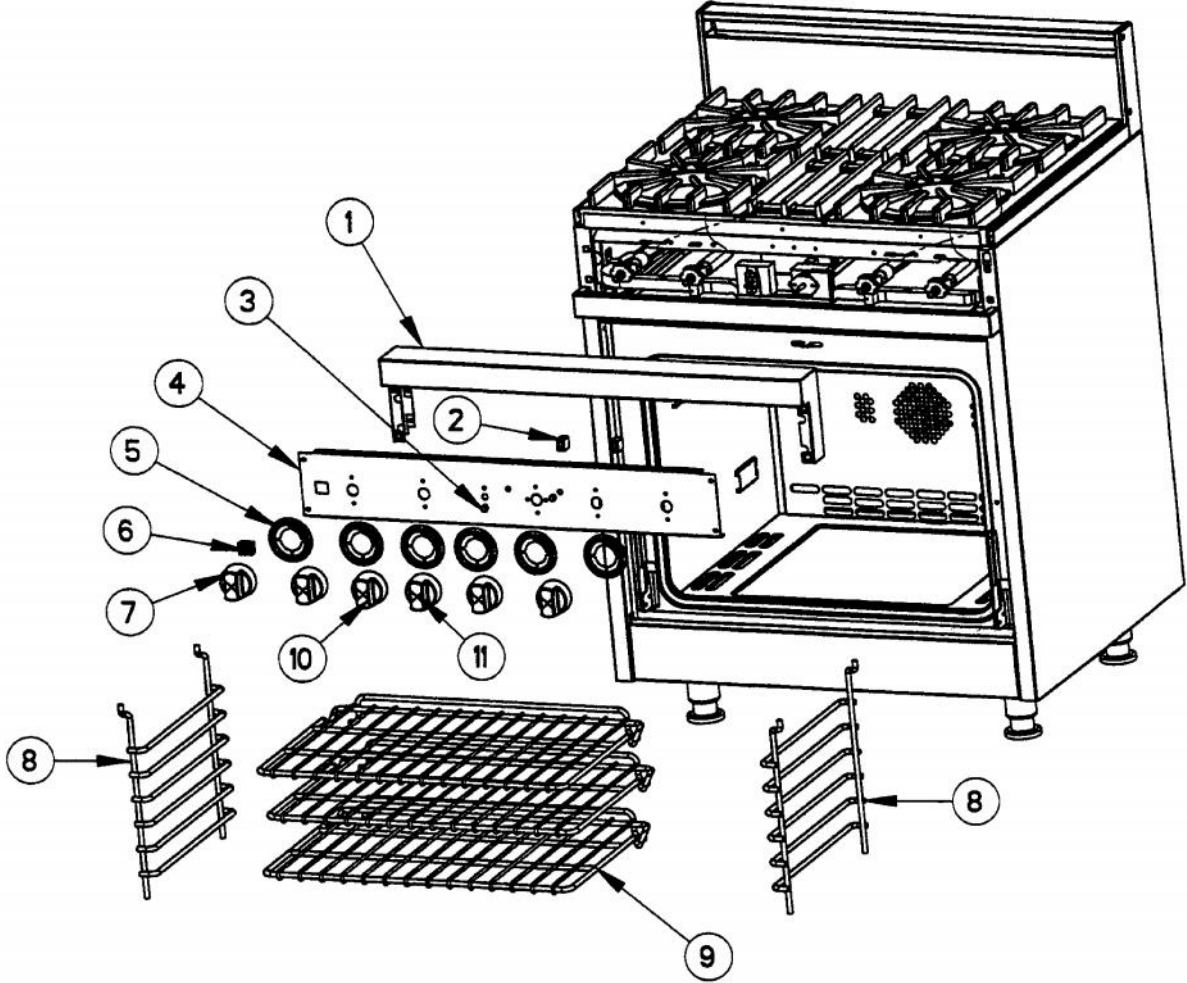


Ref #	Part Number	Qty.	Description
1	PA060049		CENTER GRATE - MATT BK
1	PA060050		CENTER GRATE - MATT GRAY
2	PA060037		GRATE BK REPL PA060024 (GEN.NO.2)
2	PA060038		GRAY GRATES
3	PA030002AL		BURNER BOWL - AL
3	PA030002BK		BURNER BOWL (VGRT) XXBKXX
3	PA030002BT		BURNER BOWL - BT
3	PA030002CB		BURNER BOWL - CB
3	PA030002EP		BURNER BOWL - EP
3	PA030002FG		BURNER BOWL - FG
3	PA030002GG		BURNER BOWLS - GG
3	PA030002LE		BURNER BOWLS - LE
3	PA030002LN		BURNER BOWL (VGRT) XXLNXX
3	PA030002MJ		BURNER BOWL (VGRT) XXMJXX
3	PA030002PL		BURNER BOWL (VGRT) XXPLXX
3	PA030002SG		BURNER BOWL - SG
3	PA030002VB		BURNER BOWL (VGRT) XXVBXX
3	PA030002WH		BURNER BOWL (VGRT) XXWHXX
4	G50013584AL		BURNER GRATE SUPPORT ASSEMBLY - AL
4	G50013584BK		GRATE SUPPORT SERVICE KIT (BK)
4	G50013584BT		GRATE SUPPORT SERVICE KIT (BT) - NLA
4	G50013584CB		BURNER GRATE SUPPORT ASSEMBLY - CB
4	G50013584EP		BURNER GRATE SUPPORT ASSEMBLY - EP
4	G50013584FG		BURNER GRATE SUPPORT ASSEMBLY - FG
4	G50013584GG		BURNER GRATE SUPPORT ASSEMBLY - GG
4	G50013584LE		BURNER GRATE SUPPORT ASSEMBLY - LE
4	G50013584LN		GRATE SUPPORT SERVICE KIT (LN)
4	G50013584MJ		BURNER GRATE SUPPORT ASSEMBLY - MJ
4	G50013584PL		GRATE SUPPORT ASSEMBLY - PL
4	G50013584SG		BURNER GRATE SUPPORT ASSEMBLY - SG
4	G50013584VB		BURNER GRATE SUPPORT ASSEMBLY - VB
4	G50013584WH		GRATE SUPPORT SERVICE KIT (WH)
5	E9104416AL		CENTER GRATE SUPPORT (AFTER 06/15/00) - AL
5	E9104416BK		CENTER SPACER (VGSC306) XBKX
5	E9104416BT		CENTER GRATE SUPPORT (AFTER 06/15/00) - BT
5	E9104416CB		CENTER SPACER (VGSC306) XCBX
5	E9104416EP		CENTER GRATE SUPPORT (AFTER 06/15/00) - EP
5	E9104416FG		CENTER GRATE SUPPORT (AFTER 06/15/00) - FG
5	E9104416GG		CENTER GRATE SUPPORT (AFTER 06/15/00) - GG
5	E9104416LE		CENTER GRATE SUPPORT (AFTER 06/15/00) - LE
5	E9104416LN		CENTER SPACER (VGSC306) XLNX
5	E9104416MJ		CENTER GRATE SUPPORT (AFTER 06/15/00) - MJ
5	E9104416PL		CENTER SPACER (VGSC306) XPLX
5	E9104416SG		CENTER GRATE SUPPORT (AFTER 06/15/00) - SG
5	E9104416VB		CENTER GRATE SUPPORT (AFTER 06/15/00) - VB
5	E9104416WH		CENTER SPACER (VGSC306) XWHX
6	A2004419		SPARK MODULE COVER (VGSC306)
7	SALES ITEM		WATER FILTER
8	B2002346		SIDE TRIM - LH (VGSS)
NI	PD020032		SRW-8(A)X3/8PH.WFR HD 7/16DIAXNICL
9	PK000008		DRIP TRAY GUIDE - RH
10	PD040028		BUSHING(.194ID/.750OD/.750LONG)
11	G30010695		DRIP TRAY HANDLE ASSY 30
11	G93011458PVD		DRIP TRAY HANDLE ASSY 30 PVD
12	PD040004		GROMMET BUMPER
13	PK000007		DRIP TRAY GUIDE - LH (VGRT)
NI	PC040010		POP RIVET
14	G3103144		DRIP TRAY (RIVETED)(VDSC305/SC306) (BEFORE 11/18/04)
14	G30010454		30 DRIP TRAY ASSY

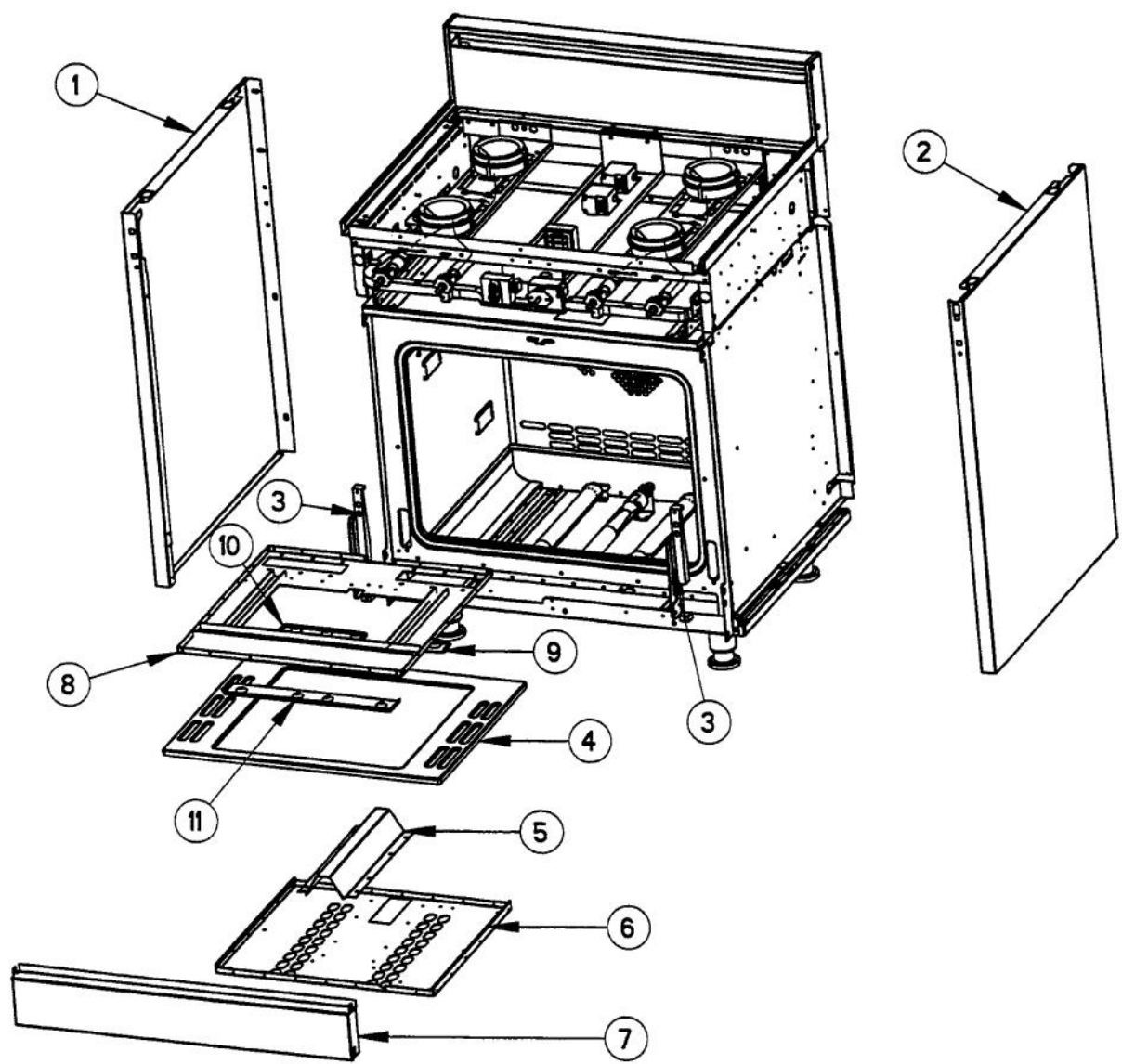
Ref #	Part Number	Qty.	Description
14	G30010454		30 DRIP TRAY ASSY (AFTER 11/18/04)
15	B2002345		SIDE TRIM - RH (VGSS)
16	PA080009		GLOSS BLACK BURNER CAP
16	PA080016		BURNER CAP-VGRT (GRAY-MATT)
NI	A20010691		DRIP TRAY HANDLE BACK 30



Ref #	Part Number	Qty.	Description
1	PA020014		SPARK IGNITOR
NI	G4001587		SPARK MODULE-TOP BRNR SPARKER (25)
NI	G4001593		SPARK MODULE-TOP BRNR SPARKER (16)
2	PA080036		TOP BURNER REAR REPL PA080008
3	PA080037		TOP BURNER FRONT REPL PA080007
4	PA010139		F J T VALVE REPL PA010079
5	PE070468		TRANSFORMER HALOGEN LIGHTS REPLACES PE070222
6	A2001112		BURNER SUPT (VGRT)
7	A2004422		SPARK MODULE BRACKET (VGSC306)
8	PA020041		TYTRONICS 0+4 SPARK MODULE
9	A2004450		BRACKET MVS SOLINOID
10	A2002490		BURNER BOX SIDE RH (VDSC)
11	A2002491		BURNER BOX SIDE LH (VDSC)
12	A2001404		FRONT BURNER HOLDER (VGSS)
13	A2004456		REAR BURNER SUPT. (VGSC306)
14	PA050113		MANIFOLD
15	A2001160		DRIP TRAY GUIDE BRKT (VGRT)
16	A2001401		INSULATION PANEL
17	A2002496		BURNER BOX BTM (VDSC30)
18	003519-000		PA010024 VALVE AND BOLT KIT (BEFORE 08/09/02)
18	G50012678		TOP BURNER VALVE KIT (BRASS VALVE REPLACEMENT) (BETWEEN 08/09/02 & 02/23/05)
18	PA010157		SUB TO 003515-000 - RANGE TOP BURNER VALVE (AFTER 02/23/05)
19	PA070001		PRESSURE REGULATOR (NAT.)
20	PA020015		SPARK IGNITION SWITCH (BEFORE 2/23/05)
20	PA020045		IGNITOR SWITCH (AFTER 2/23/05)
21	A1001138		MANIFOLD BRKT
22	PB010186		EK39 THERMOSTAT (SELF-CLEAN)
NI	PD020006		NO.6-32 X 1/4 PH.PAN HD. T(F)
23	PJ030015		6 POS. SELECTOR SWITCH
NI	PE070245		LIGHT EXTENTION HARNESS (VGSC306)
NI	PE070243		TOP BURNER BOX HARNESS (VGSC306)
NI	PE070244		OVEN HARNESS (VGSC306)
NI	PE070223		WIRE HARNESS P/C BOARD
NI	PB040034		ORIFICE HOOD-NO.50 (NAT)
NI	PB040036		ORIFICE HOOD-NO.57 (LP)

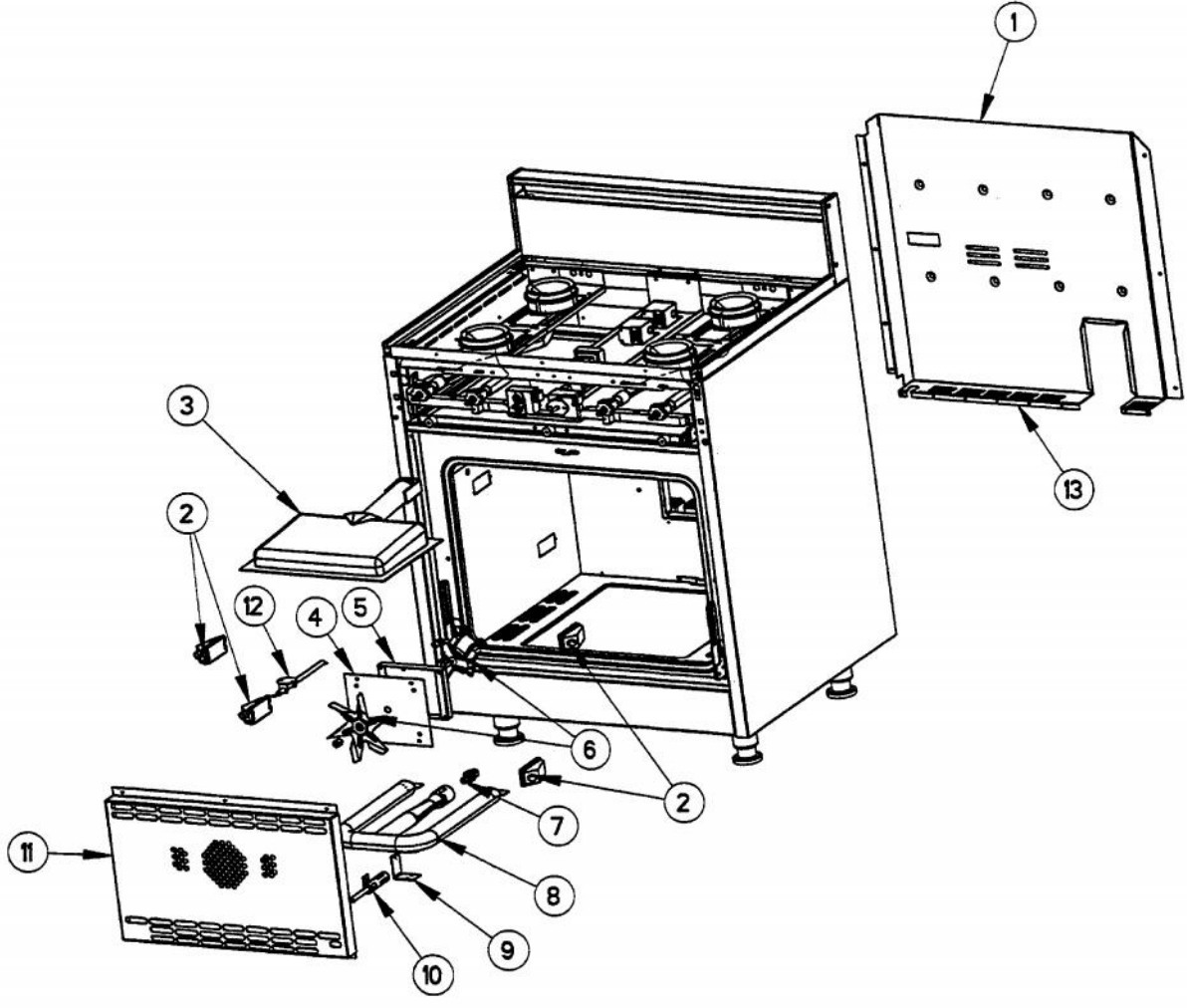


Ref #	Part Number	Qty.	Description
1	G3001406		LANDING LEDGE ASSY
2	PE050024		OVEN IND. LIGHT (LIGHT HOUSING)
3	PE050023		OVEN IND. LIGHT (LENS & BEZEL)
4	B9204483		CTRL PAN (VGSC306) SILK SCRN
NI	PD020032		SRW-8(A)X3/8PH.WFR HD 7/16DIAXNICL
5	PB010208		BEZEL, CHROME PLATE
	PB010209		BEZEL BRASS
6	PE050016		OVEN LIGHT SWITCH - XBKX (WES-GAR)
	PE050017		OVEN LIGHT SWITCH - XWHX (WES-GAR)
7	PA010034		TOP BURNER KNOB-XBKX (NEW STYLE)
7	PA010035		(BEFORE 08/09/02) IF ORIGINAL VALVE HAS NEVER BEEN R... BURNER KNOB-WH NS REPL PA010028
7	PB010206		(BEFORE 08/09/02) IF ORIGINAL VALVE HAS NEVER BEEN R... VGSC,VGRC,VGRT TOP BURNER KNOB(BK)
7	PB010207		(AFTER 08/09/02 - OR IF ORIGINAL VALVE HAS BEEN REPLA... VGSC,VGRC,VGRT TOP BURNER KNOB(WH)
			(AFTER 08/09/02 - OR IF ORIGINAL VALVE HAS BEEN REPLA...
8	PB060030		RACK SUPT REPL PB060010
9	PB060044		OVEN RK VDSC30/48RH REPL PB060019
10	PB010187		THERMOSTAT KNOB SELF CLEAN XBKX
10	PB010188		THERMOSTAT KNOB SELF CLEAN XWHX
11	PA010080		SELECTOR KNOB SELF CLEAN XBKX
11	PA010081		SELECTOR KNOB SELF CLEAN XWHX
NI	PE070152		CTRL PAN RESTRAINING STRAP
NI	PB080002		BROILER PAN
NI	PB080003		BROILER PAN TRAY (KRA2)

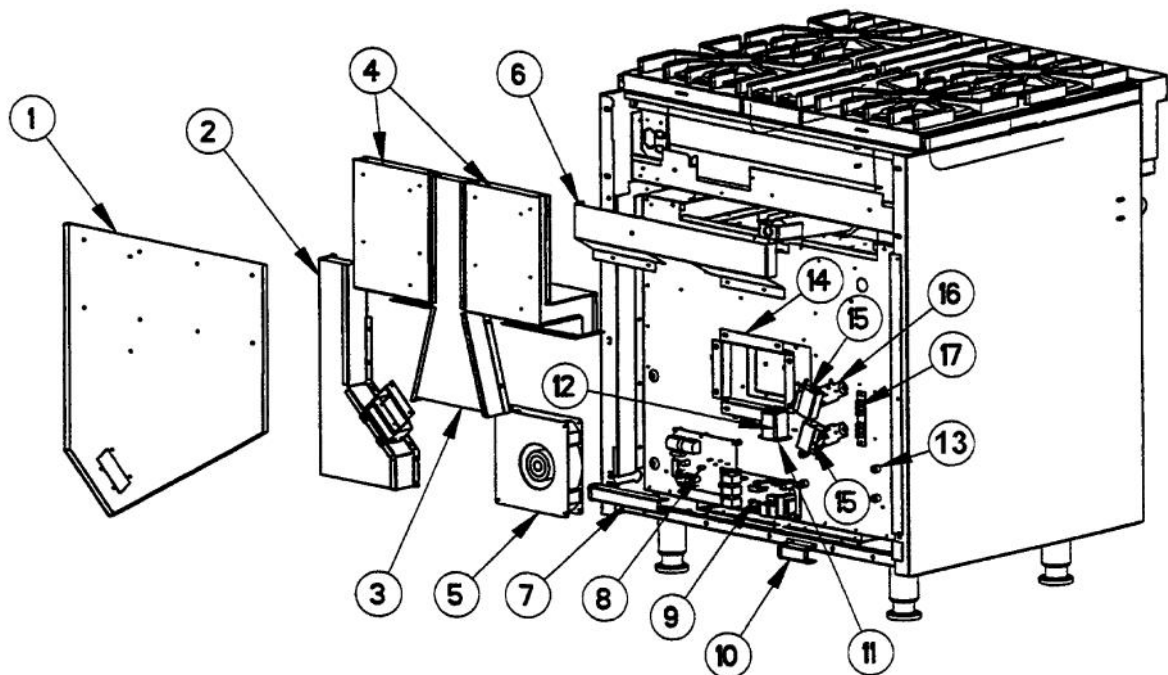


Ref #	Part Number	Qty.	Description
1	B2005682		O/S BODY PANEL - LH (VGSC4864GQ)
1	C9005682AL		O/S BODY PANEL - LH (VGSC4864GQ) AL
1	C9005682BK		O/S BODY PANEL - LH (VGSC4864GQ) BK
1	C9005682BT		O/S BODY PANEL - LH (VGSC4864GQ) BT
1	C9005682BU		O/S BODY PANEL - LH (VGSC4864GQ) BU
1	C9005682CB		O/S BODY PANEL - LH (VGSC4864GQ) CB
1	C9005682EP		O/S BODY PANEL - LH (VGSC4864GQ) EP
1	C9005682FG		O/S BODY PANEL - LH (VGSC4864GQ) FG
1	C9005682GG		O/S BODY PANEL - LH (VGSC4864GQ) GG
1	C9005682LE		O/S BODY PANEL - LH (VGSC4864GQ) LE
1	C9005682LN		SIDE PANEL - LN (LH)
1	C9005682MJ		O/S BODY PANEL - LH (VGSC4864GQ) MJ
1	C9005682PL		O/S BODY PANEL - LH (VGSC4864GQ)XPLX
1	C9005682SG		O/S BODY PANEL - LH (VGSC4864GQ) SG
1	C9005682VB		O/S BODY PANEL - LH (VGSC4864GQ) VB
1	C9005682WH		O/S BODY PANEL - LH (VGSC4864GQ) WH
2	B2005681		O/S BODY PANEL - RH (VGSC4864GQ)
2	C9005681AL		O/S BODY PANEL - RH (VGSC4864GQ) AL
2	C9005681BK		O/S BODY PANEL - RH (VGSC4864GQ) BK
2	C9005681BT		O/S BODY PANEL - RH (VGSC4864GQ) BT
2	C9005681BU		O/S BODY PANEL - RH (VGSC4864GQ) BU
2	C9005681CB		O/S BODY PANEL - RH (VGSC4864GQ) CB
2	C9005681EP		O/S BODY PANEL - RH (VGSC4864GQ) EP
2	C9005681FG		O/S BODY PANEL - RH (VGSC4864GQ) FG
2	C9005681GG		O/S BODY PANEL - RH (VGSC4864GQ) GG
2	C9005681LE		O/S BODY PANEL - RH (VGSC4864GQ) LE
2	C9005681LN		SIDE PANEL - LN (RH)
2	C9005681MJ		O/S BODY PANEL - RH (VGSC4864GQ) MJ
2	C9005681PL		O/S BODY PANEL - RH (VGSC4864GQ)XPLX
2	C9005681SG		O/S BODY PANEL - RH (VGSC4864GQ) SG
2	C9005681VB		O/S BODY PANEL - RH (VGSC4864GQ) VB
2	C9005681WH		O/S BODY PANEL - RH (VGSC4864GQ) WH
NI	PD020032		SRW-8(A)X3/8PH.WFR HD 7/16DIA XNCL
3	PC020009		HINGE ASSY (BROWN)
NI	PD020033		SRW-NO.10-24X1/2T(23)PH.WFR HD (NKL)
4	G9104438		OVEN BOTTOM PAN ASSY (VGSC306)
NI	A2004439	1	OVEN BOTTOM SHIELD (VGSC306)
5	A2004424		BURNER COVER (VGSC306)
6	A2004403		OVEN CAVITY BOTTOM (VGSC306)
7	B2007412		LOWER ACCESS PANEL - SS
7	C9007412AL		SUB TO C9001815AL - LOWER ACC PAN XALX 30
7	C9007412BK		SUB TO C9001815BK - LOWER ACC PAN XBXK 30
7	C9007412BT		SUB TO C9001815BT - LOWER ACC PAN XBTX 30
7	C9007412BU		SUB TO C9001815BU - LOWER ACC PAN XBUX 30
7	C9007412CB		KICK PLATE - CB
7	C9007412EP		SUB TO C9001815EP - LOWER ACC PAN XEPX 30
7	C9007412FG		SUB TO C9001815FG - LOWER ACC PAN XFGX 30
7	C9007412GG		KICK PLATE - GG
7	C9007412LE		KICK PLATE - LE
7	C9007412LN		LOWER ACC PAN XLNX 30
7	C9007412MJ		KICK PLATE - MJ
7	C9007412PL		KICK PLATE - PL
7	C9007412SG		KICK PLATE - SG
7	C9007412VB		KICK PLATE - VB
7	C9007412WH		SUB TO C9001815WH - LOWER ACC PAN XWHX 30
8	G9104440		OVEN TOP WELD ASSY (VGSC306)
9	B2004412		I/R BRACE RH (VGSC306)
10	B2004413		I/R BRACE LH (VGSC306)
11	B2001448		IR BROIL SUPT (FRONT)
NI	019497-000		30 CURB BASE KIT

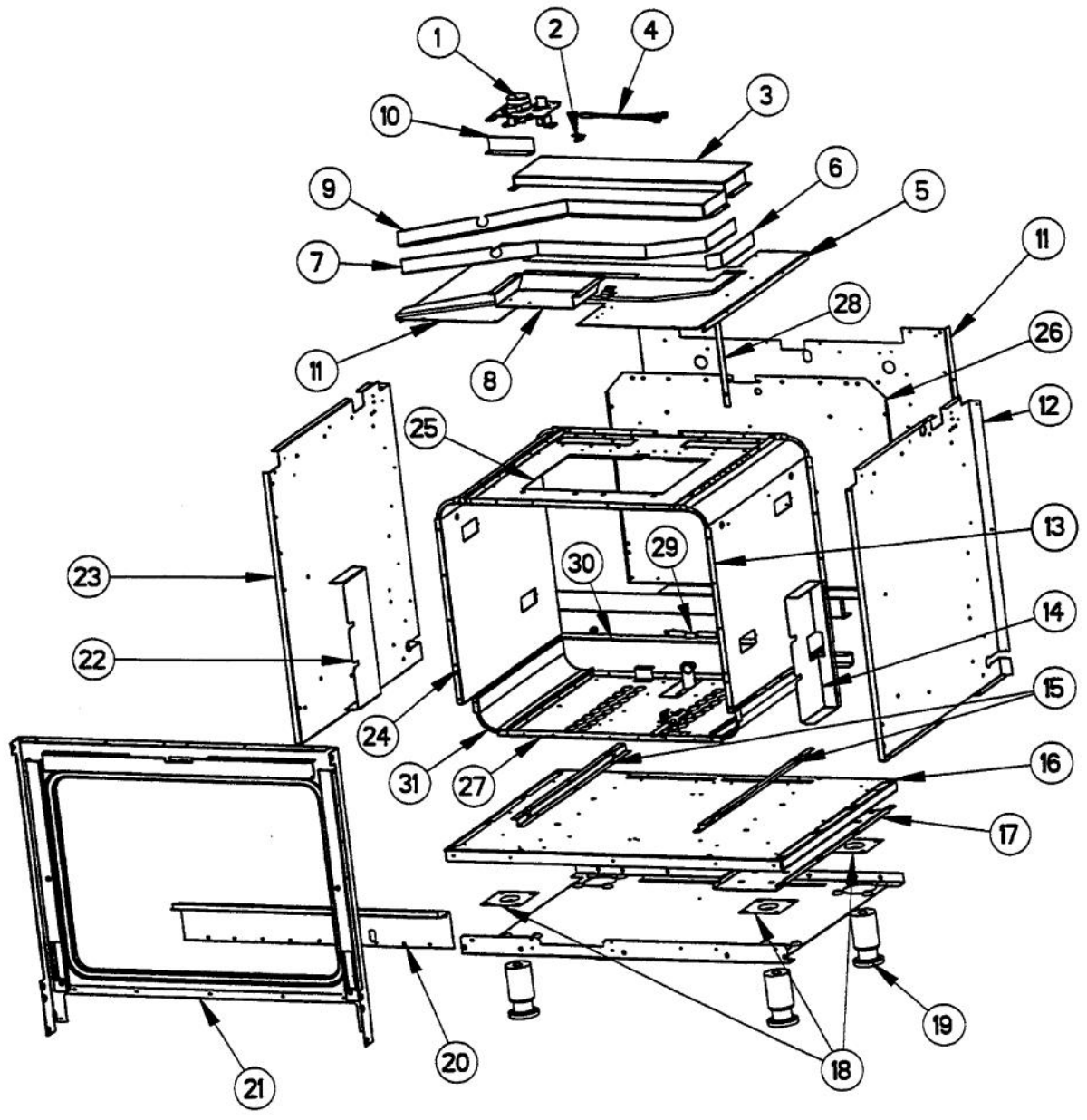
Ref #	Part Number	Qty.	Description
NI	019497-000		30 CURB BASE KIT



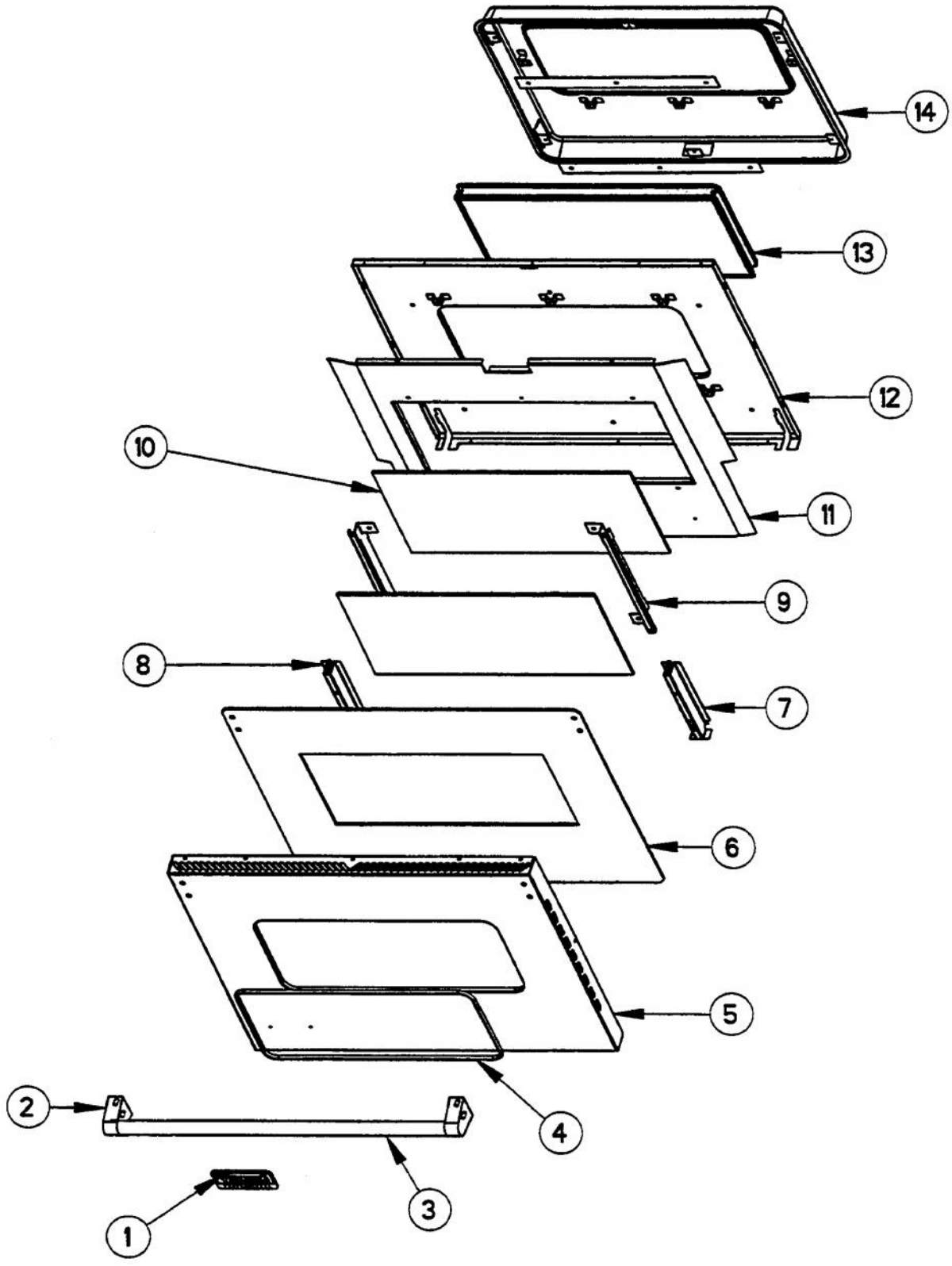
Ref #	Part Number	Qty.	Description
1	A2004457		OVEN O/S BACK (VGSC306)
2	PE050056		OVEN LIGHT ASSY 12V/5W
3	G3001876		IR BURNER ASSY (VGSC/RC) N/S
4	A1002596		CONVECTION FAN COVER (VDSC)
5	A2002595		CONVECTION FAN BOX (VDSC)
6	PE050057		CONVECTION FAN (VGSC306)
7	PB040172		3/8 X 3/8 ORIFICE FITTING
8	PB050059		BAKE BURNER - NATURAL GAS
9	A2004452		BOTTOM IGNITION BRACKET (VGSC306)
10	PB040170		BAKE IGNITION ELECTRODE
11	G9104482		CONVECTION FAN COVER ASSY (VGSC306)
12	PB040171		BROIL IGNITION ELECTRODE
NI	PB020111		3/8 SS FLEX TUBING - 27 T6-27
NI	PB020112		3/8 SS FLEX TUBING - 36 T6-36
NI	PB020113		3/8 SS FLEX TUBING - 52 T6-52
NI	PB040180		ORIFICE HOOD NO.31
NI	PB040040		ORIFICE-IR BURNER (VGSC)
NI	PB040027		IR BUR.SPUD ORF. - NO.56 LP



Ref #	Part Number	Qty.	Description
1	A2004468		BACK AIR CHANNEL (VGSC306)
2	G3004446		COOLING FAN DUCT WELD ASSY(VGSC306)
3	G3004444		BROILER FLUE WELD ASSY (VGSC306)
4	G3004414		FLUE ASSY (VGSC306)
5	PE050026		COOLING FAN (VDSC)
6	A2004464		FLUE HEAT SHIELD (VGSC306)
7	A2004480		WIRE CHANNEL LH (VGSC306)
8	PA020035		DSI MODULE REPL PA020027
9	PE070148		SELF-CLEAN BOARD/TIMER (VDSC)
10	A2004481		WIRE CHANNEL RH (VGSC306)
11	A2004458		RELAY BRACKET (VGSC306) (2 RELAY)
12	PM010029		RELAY (DOUBLE POLE-DOUBLE THROW)TEM
13	PD030033		GROMMET NUT-ROUND HD. NO.8 X .500DIA.
14	A2008467		INSULATION SHIELD
15	PJ030002		AUTO RESET (SELF-CLEAN) VDSC
16	A1002456		THERMO-DISC BRKT (VDSC)
17	PE050001		TERMINAL BOARD
NI	J4004455		COMPLETE WIRING KIT
NI	G3204472		BACKGUARD ASSY (VGSC306)
NI	PE070128		SUPPLY CORD (VGRT/SC/SS/RC)



Ref #	Part Number	Qty.	Description
1	PE050020		DOOR LATCH, MOTORIZED
2	PJ030006		SWITCH (COOLING FAN)
3	G3204463		TOP INSUL. RETAINER ASSY (VGSC306)
4	PE050059		HI-LIMIT SWITCH
NI	A2005676		VGSC HIGH LIMIT BRACKET
5	A2004406		OVEN TOP INSUL. RETAINER (VGSC306)
6	A2004489		TOP RIGHT AIR BAFFLE (VGSC306)
7	A2004488		TOP FRONT AIR BAFFLE (VGSC306)
8	A2004423		DOOR LOCK BOX (VGSC306)
9	A2004487		TOP REAR AIR BAFFLE (VGSC306)
10	A2004466		BACK AIR CHANNEL (VGSC306)
11	A2004417		OVEN BACK INSUL. RETAINER (VGSC306)
12	A2004436		SIDE INSUL. RETAINER RH (VGSC306)
13	NOT REPLACABLE		LABEL
14	A2004486		HINGE INSULATION SHIELD RH(VGSC306)
15	A2004429		OVEN BOTTOM INSUL. BRACE (VGSC306)
16	A2002481		BTM INSULATION SHIELD (VDSC)
17	A2002482		LEG BRACE (VDSC)
18	PC030007		LEG PLATE - 3/4 THREADED HOLE
19	PC030017		4 LEG ASSY
20	E9104404		BURNER BOX FRONT (VGSC306)
21	G9102743		OVEN FRONT FRAME ASSY (VDSC30)
22	A2002183		HINGE INSULATION COVER (VDSC)
23	A2004437		SIDE INSUL. RETAINER LH (VGSC306)
24	NOT REPLACABLE		LABEL
25	NOT REPLACABLE		LABEL
26	E9104405		OVEN BACK (VGSC306)
27	NOT REPLACABLE		LABEL
28	A2004471		BACK AIR CHANNEL CENTER (VGSC306)
29	A2004428		REAR BOTTOM BRCKT (VGSC306)
30	E9104426		BURNER BOX BACK (VGSC306)
31	NOT REPLACABLE		LABEL
NI	A2004439	1	OVEN BOTTOM SHIELD (VGSC306)



Ref #	Part Number	Qty.	Description
NI	G3202172AL		DOOR SUB-ASSY-XALX (VDSC30)
NI	G3202172ALBR		DOOR SUB-ASSY-XALXXBRX VDSC30
NI	G3202172BK		DOOR SUB-ASSY-XBKX (VDSC30)
NI	G3202172BKBR		DOOR SUB-ASSY-XBKXXBRX (VDSC30)
NI	G3202172BT		DOOR SUB-ASSY-XBTX (VDSC30)
NI	G3202172BTBR		DOOR SUB-ASSY-XBTXXBRX (VDSC30)
NI	G3202172BU		DOOR SUB-ASSY-XBUX (VDSC30)
NI	G3202172BUBR		DOOR SUB-ASSY-XBUXXXBRX (VDSC30)
NI	G3202172CB		DOOR SUB-ASSY-XCBX (VDSC30)
NI	G3202172CBBR		DOOR SUB-ASSY-XCBXXBR VDSC30
NI	G3202172EP		DOOR SUB-ASSY-XEPX(VDSC30)
NI	G3202172EPBR		DOOR SUB-ASSY-XEPXBRX (VDSC30)
NI	G3202172FG		DOOR SUB-ASSY-XFGX (VDSC30)
NI	G3202172FGBR		DOOR SUB-ASSY-XFGXXBRX (VDSC30)
NI	G3202172GG		DOOR SUB-ASSY-XGGX (VDSC30)
NI	G3202172GGBR		DOOR SUB-ASSY-XGGX (VDSC30)
NI	G3202172LE		DOOR SUB-ASSY-LEX (VDSC30)
NI	G3202172LEBR		DOOR SUB-ASSY-XLEXXBRX (VDSC30)
NI	G3202172LN		DOOR SUB-ASSY-XLNX (VDSC30)
NI	G3202172LNBR		DOOR SUB-ASSY-XLNXBRX (VDSC30)
NI	G3202172MJ		DOOR SUB-ASSY-XMJX (VDSC30)
NI	G3202172MJBR		DOOR SUB-ASSY-XMJXXBRX VDSC30
NI	G3202172PL		DOOR SUB-ASSY-XPLX (VDSC30)
NI	G3202172PLBR		DOOR SUB-ASSY-XPLXXBRX (VDSC30)
NI	G3202172SG		DOOR SUB-ASSY-XSGX (VDSC30)
NI	G3202172SGBR		DOOR SUB-ASSY-XSGXXBRX VDSC30
NI	G3202172SS		DOOR SUB-ASSY-XSSX (VDSC30)
NI	G3202172SSBR		DOOR SUB-ASSY-XSSXXBRX (VDSC30)
NI	G3202172VB		DOOR SUB-ASSY-XVBX (VDSC30)
NI	G3202172VBBR		DOOR SUB-ASSY-XVBXXBRX (VDSC30)
NI	G3202172WH		DOOR SUB-ASSY-XWHX (VDSC30)
NI	G3202172WHBR		DOOR SUB-ASSY-XWHXXBRX (VDSC30)
1	PE010016		NAMEPLATE, LOGO, PRO
1	PE010079		4.5 LOGO/VIKING PROF, BK/BR
1	PE010017		LOGO (VGSO,VEDO,VGDO,VUD) XWH/CHR
1	PE010080		4.5 LOGO/VIKING PROF XWH/BR
NI	PD030006		CAPPED WASHER PAL NUT
2	PE030001		BRACKET, DOOR, HANDLE
2	PE030001PVD		END CAP DOOR HANDLE XBR
NI	PD010019		BLT-1/4-20X3/8HEX WASHER SERATED
3	PE030005		DOOR HANDLE - VGSC30/RC60/RC48RH
3	PE030012PVD		DOOR HANDLE - RH - (30/48) PVD
4	PE060031		J-MOLD (LARGE WINDOW)
4	PE060045		J-MOLD (LARGE WINDOW) XBRX
5	B2002188		O/S DOOR PANEL XSSX (VDSC30)
5	C9002188AL		O/S DOOR PANEL-XALX (VDSC30)
5	C9002188BK		O/S DOOR PANEL-XBKX (VDSC30)
5	C9002188BT		O/S DOOR PANEL-XBTX (VDSC30)
5	C9002188BU		O/S DOOR PANEL-XBUX (VDSC30)
5	C9002188CB		O/S DOOR PANEL-XCBX (VDSC30)
5	C9002188EP		O/S DOOR PANEL-XEPX (VDSC30)
5	C9002188FG		O/S DOOR PANEL-XFGX (VDSC30)
5	C9002188GG		O/S DOOR PANEL-XGGX (VDSC30)
5	C9002188LE		O/S DOOR PANEL-XLEX (VDSC30)
5	C9002188LN		O/S DOOR PANEL-XLNX (VDSC30)
5	C9002188MJ		O/S DOOR PANEL-XMJX (VDSC30)
5	C9002188PL		O/S DOOR PANEL-XPLX (VDSC30)
5	C9002188SG		O/S DOOR PANEL-XSGX (VDSC30)
5	C9002188VB		O/S DOOR PANEL-XVBX (VDSC30)
5	C9002188WH		O/S DOOR PANEL-XWHX (VDSC30)

Ref #	Part Number	Qty.	Description
5	C9002188WH		O/S DOOR PANEL-XWHX (VDSC30)
NI	PD020002		10 X 1/2 PH.TR.HD.SMS.
NI	PD020014		10X3/4 PH TR HD SMS
6	J1002594		OVEN DR HEAT SINK (VDSC30)
7	A2002498		HINGE POCKET COVER RH
8	A2002499		HINGE POCKET COVER LH
9	A2002367		DOOR GLASS BRKT
10	PE060039		GLASS-HEAT TREATED (HB2) VDSC
11	A2002548		DOOR INSULATION RETAINER RH VDSC
12	G9102747		DR LINER ASY(VDSC30/48)REP H9102173
13	PE060064		WINDOW PACK, SELF CLEANING OVEN 30
14	G9102745		DR PG ASSY VDSC30/48 RE H9102175
NI	PB070034		INSULATION-TRS-10 1 X 20 X 3'
NI	PB070074		TRS-10 3 X 20 X 3' INSULATION (SELF-CLEAN)
NI	PB070040		FIBERGLASS ROPE
NI	PB070041		SUB TO 000623-000 - DOOR GASKET(3/8DIA.) (VDSC)

*No Image  
Available*

Ref #	Part Number	Qty.	Description
NI	PE070036	4	TIE WRAP
NI	PE070243	1	TOP BURNER BOX HARNESS (VGSC306)
NI	PE070244	1	OVEN HARNESS (VGSC306)
NI	PE070223	1	WIRE HARNESS P/C BOARD
NI	G4000935	1	BAKE/BROIL JUMPER WIRE - VGR/VC
NI	G4001656	2	SPARK MODULE GROUND WIRE
NI	G4005411	1	DSI BAKE JUMPER (VGSC306)
NI	G4005412	1	DSI BROIL JUMPER (VGSC306)
NI	G4005464	1	IGNITOR WIRE 25 (VGSC306)
NI	PE070654	1	IGNITOR WIRE KITS - VGSC306