

This Owner's Manual is provided and hosted by [Appliance Factory Parts](#).



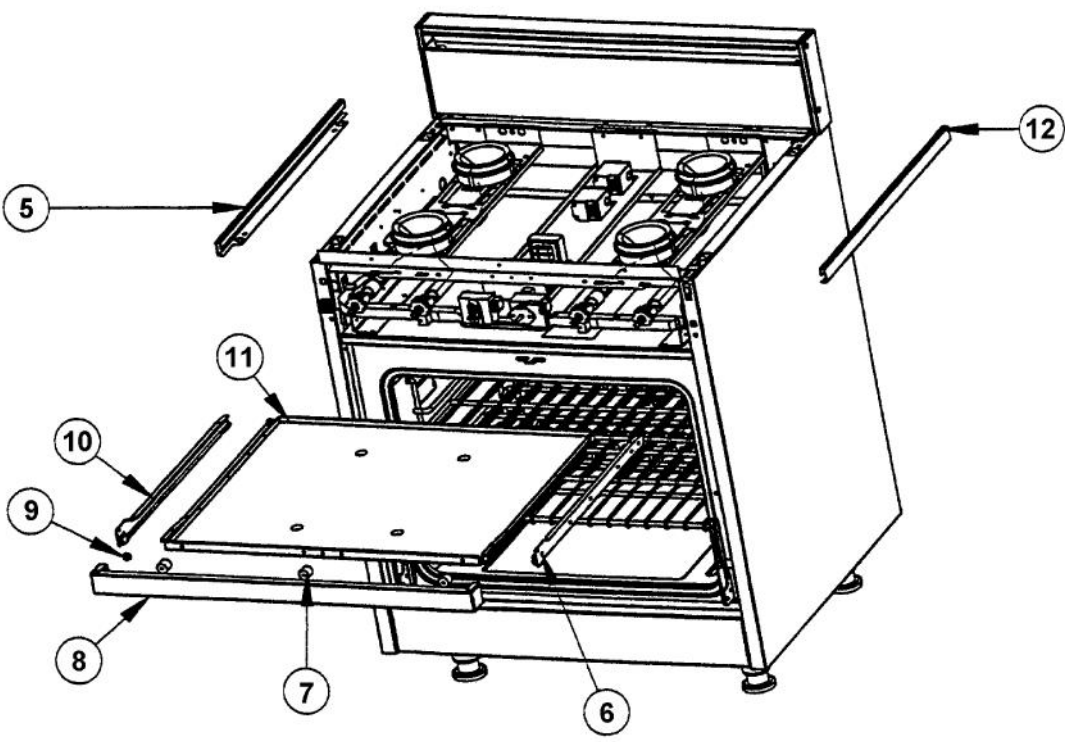
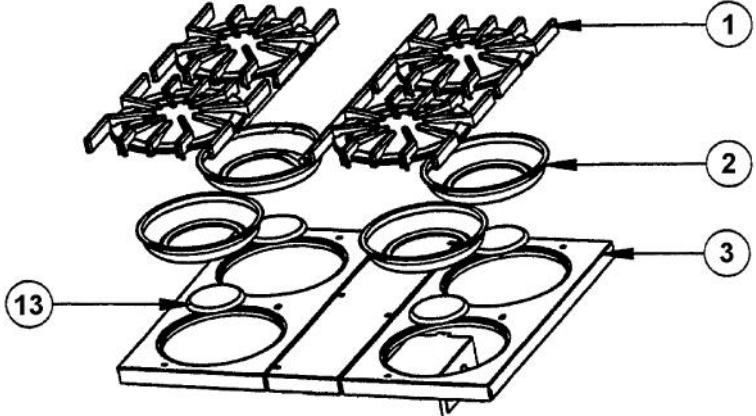
VIKING VGSC366 Owner's Manual

[Shop genuine replacement parts for VIKING VGSC366](#)

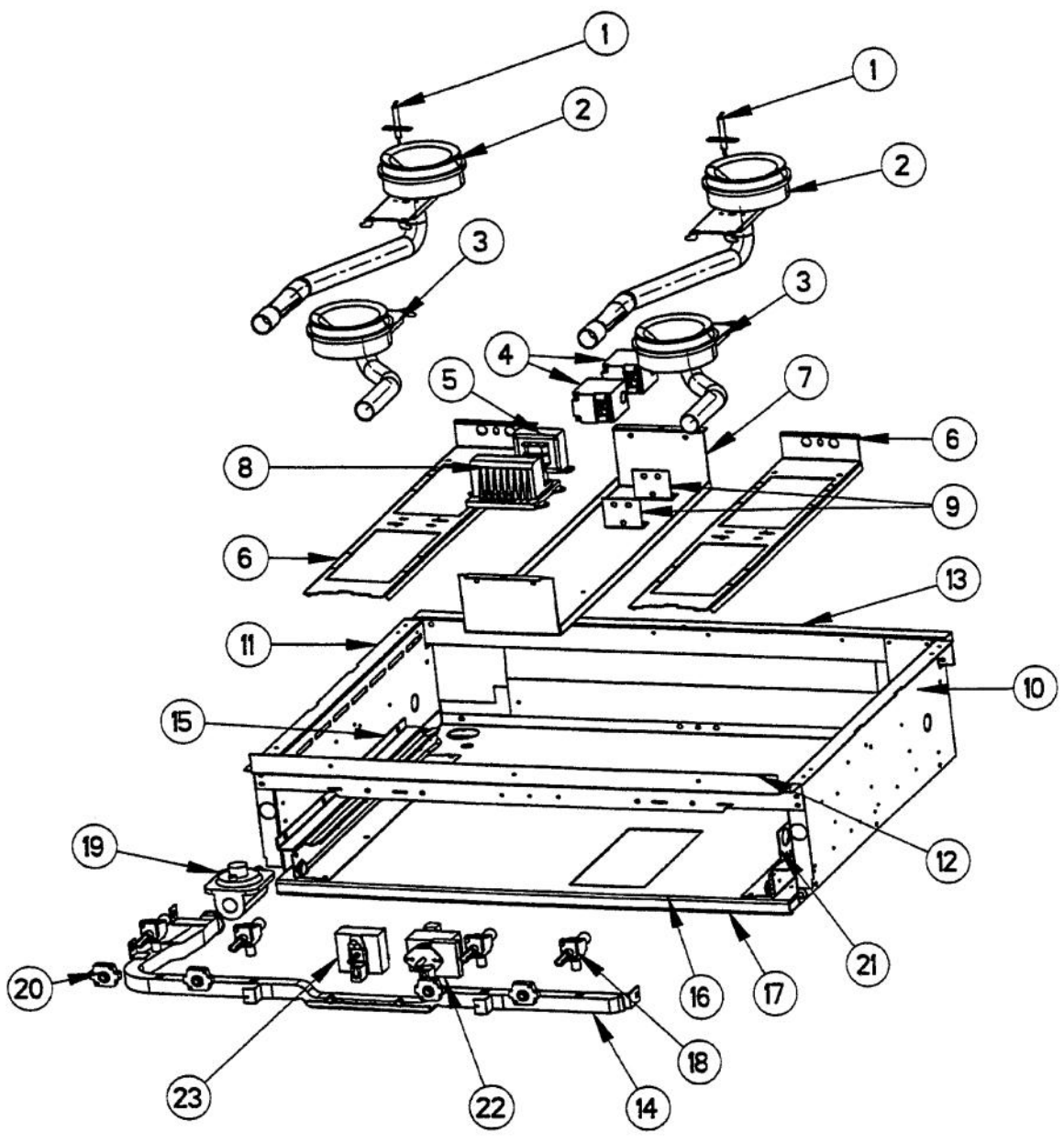


[Find Your VIKING Range Hoods Parts - Select From 411 Models](#)

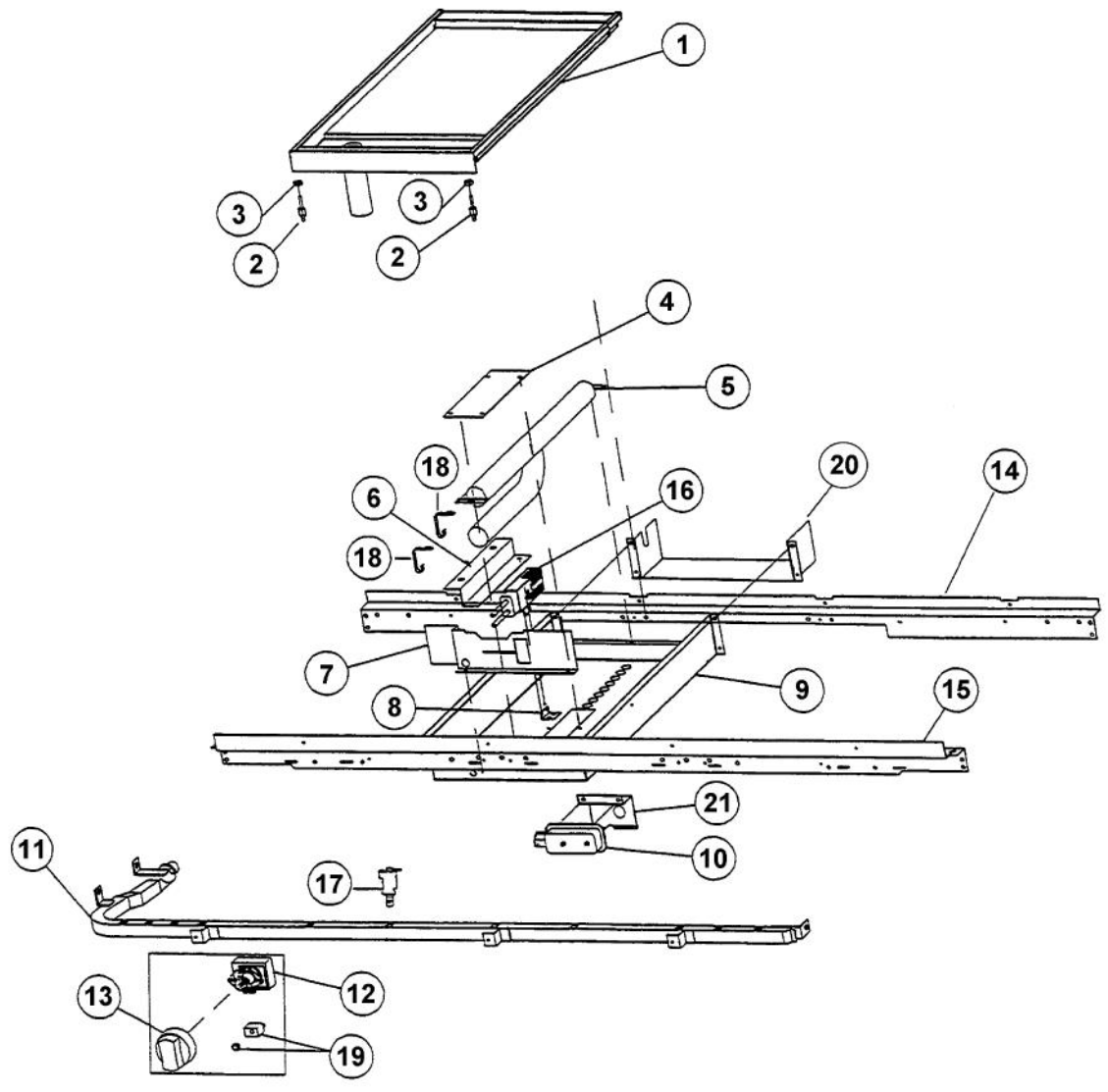
----- Manual continues below -----



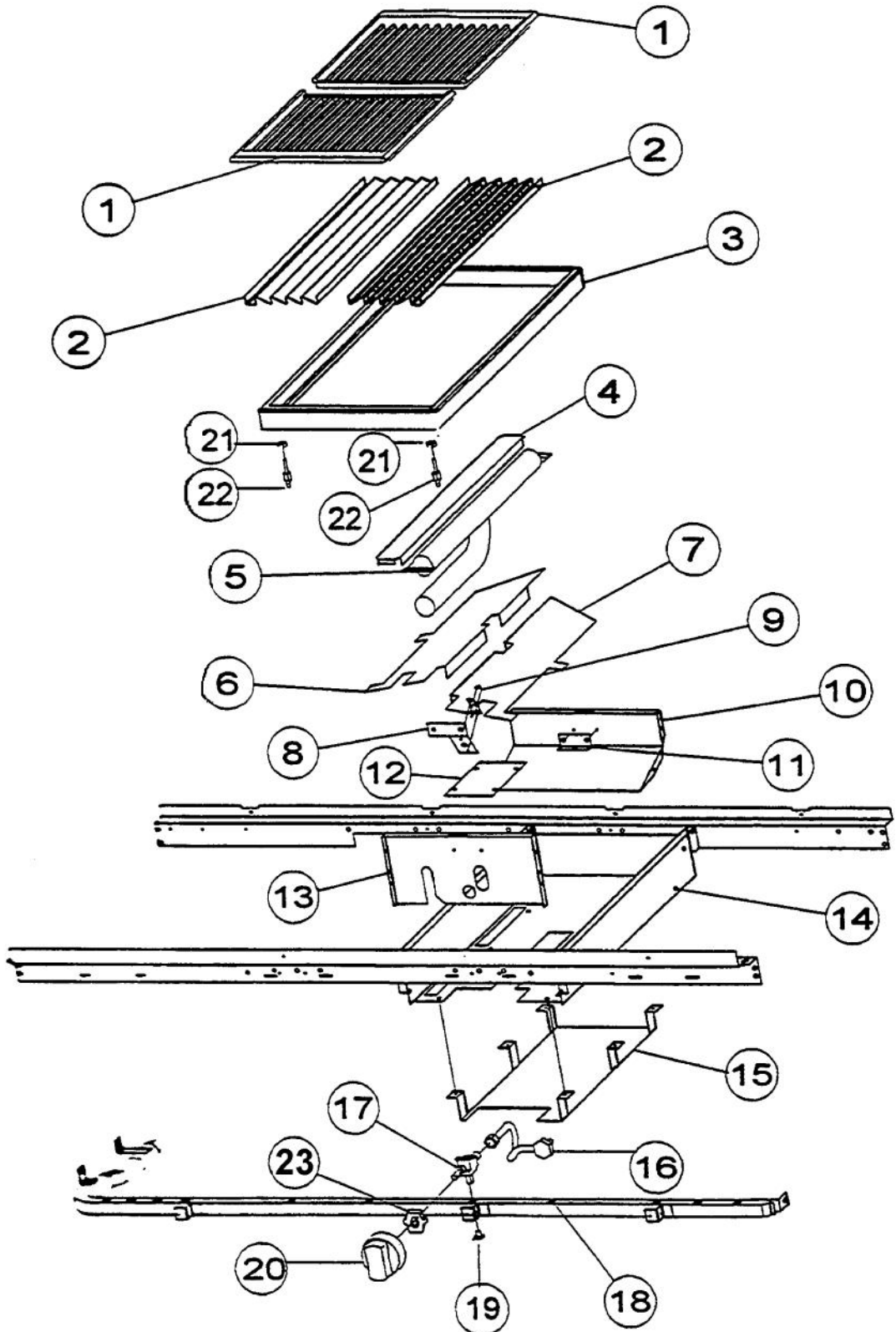
| Ref # | Part Number | Qty. | Description |
|-------|--------------|------|--------------------------------------|
| 1 | PA060037 | | GRATE BK REPL PA060024 (GEN.NO.2) |
| 1 | PA060038 | | GRAY GRATES |
| 2 | PA030002AL | | BURNER BOWL - AL |
| 2 | PA030002BK | | BURNER BOWL (VGRT) XXBKXX |
| 2 | PA030002BT | | BURNER BOWL - BT |
| 2 | PA030002CB | | BURNER BOWL - CB |
| 2 | PA030002EP | | BURNER BOWL - EP |
| 2 | PA030002FG | | BURNER BOWL - FG |
| 2 | PA030002GG | | BURNER BOWLS - GG |
| 2 | PA030002LE | | BURNER BOWLS - LE |
| 2 | PA030002MJ | | BURNER BOWL (VGRT) XXMJXX |
| 2 | PA030002PL | | BURNER BOWL (VGRT) XXPLXX |
| 2 | PA030002SG | | BURNER BOWL - SG |
| 2 | PA030002VB | | BURNER BOWL (VGRT) XXVBXX |
| 2 | PA030002WH | | BURNER BOWL (VGRT) XXWHXX |
| 3 | G50013584AL | | BURNER GRATE SUPPORT ASSEMBLY - AL |
| 3 | G50013584BK | | GRATE SUPPORT SERVICE KIT (BK) |
| 3 | G50013584BT | | GRATE SUPPORT SERVICE KIT (BT) - NLA |
| 3 | G50013584CB | | BURNER GRATE SUPPORT ASSEMBLY - CB |
| 3 | G50013584EP | | BURNER GRATE SUPPORT ASSEMBLY - EP |
| 3 | G50013584FG | | BURNER GRATE SUPPORT ASSEMBLY - FG |
| 3 | G50013584GG | | BURNER GRATE SUPPORT ASSEMBLY - GG |
| 3 | G50013584LE | | BURNER GRATE SUPPORT ASSEMBLY - LE |
| 3 | G50013584LN | | GRATE SUPPORT SERVICE KIT (LN) |
| 3 | G50013584MJ | | BURNER GRATE SUPPORT ASSEMBLY - MJ |
| 3 | G50013584PL | | GRATE SUPPORT ASSEMBLY - PL |
| 3 | G50013584SG | | BURNER GRATE SUPPORT ASSEMBLY - SG |
| 3 | G50013584VB | | BURNER GRATE SUPPORT ASSEMBLY - VB |
| 3 | G50013584WH | | GRATE SUPPORT SERVICE KIT (WH) |
| 4 | A2005533 | | SPARK MODULE COVER |
| 5 | B2002346 | | SIDE TRIM - LH (VGSS) |
| NI | PD020032 | | SRW-8(A)X3/8PH.WFR HD 7/16DIAXNICL |
| 6 | PK000008 | | DRIP TRAY GUIDE - RH |
| 7 | PD040028 | | BUSHING(.194ID/.750OD/.750LONG) |
| NI | PD020079 | | NO.10 X 1 1/4 PH. PAN HD. T(A) NYLOK |
| 8 | G30010696 | | DRIP TRAY HANDLE ASSY 36 |
| 8 | G93011459PVD | | DRIP TRAY HANDLE ASSY 36 PVD |
| 9 | PD040004 | | GROMMET BUMPER |
| 10 | PK000007 | | DRIP TRAY GUIDE - LH (VGRT) |
| 11 | G3002824 | | DRIP TRAY (VDSC36) |
| | | | (BEFORE 11/18/04) |
| 11 | G30010455 | | 36 DRIP TAY ASSY |
| | | | (AFTER 11/18/04) |
| 12 | B2002345 | | SIDE TRIM - RH (VGSS) |
| 13 | PA080015 | | BURNER CAP-VGRT XBKX |
| 13 | PA080016 | | BURNER CAP-VGRT (GRAY-MATT) |
| NI | A20010692 | | DRIP TRAY HANDLE BACK 36 |



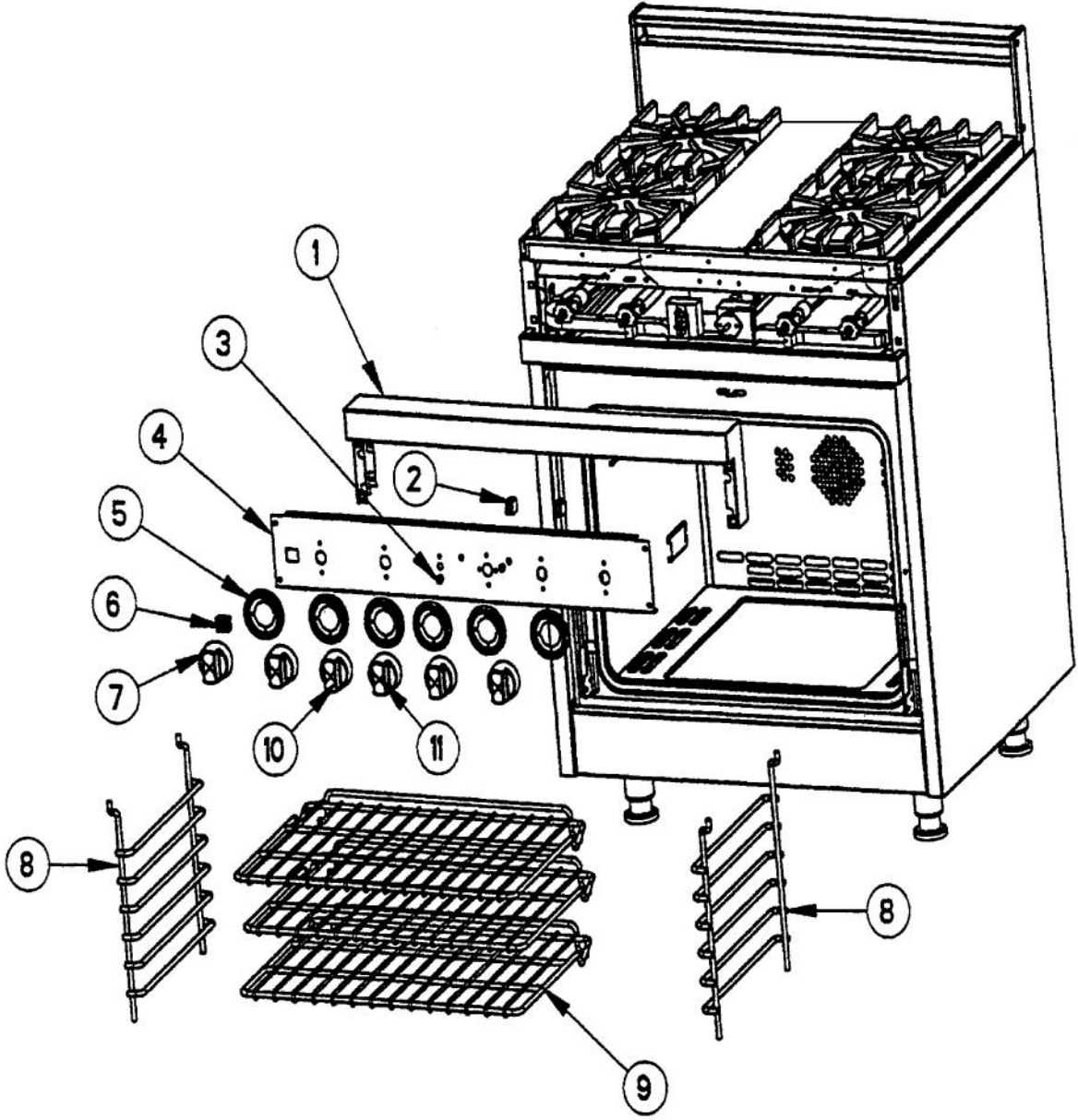
| Ref # | Part Number | Qty. | Description |
|-------|-------------|------|---|
| 1 | PA020014 | | SPARK IGNITOR |
| 2 | PA080036 | | TOP BURNER REAR REPL PA080008 |
| 3 | PA080037 | | TOP BURNER FRONT REPL PA080007 |
| 4 | PA010139 | | F J T VALVE REPL PA010079 |
| 5 | PE070468 | | TRANSFORMER HALOGEN LIGHTS REPLACES PE070222 |
| 6 | A2001112 | | BURNER SUPT (VGRT) |
| 7 | A2005532 | | SPARK MODULE BRACKET |
| 8 | PA020048 | | INVENSYS 0+6 RE-IGNITION SPARK MODULE |
| 8 | PA020047 | | INVENSYS 0+4 RE-IGNITION SPARK MODULE |
| 9 | A2004450 | | BRACKET MVS SOLINOID |
| 10 | A2002490 | | BURNER BOX SIDE RH (VDSC) |
| 11 | A2002491 | | BURNER BOX SIDE LH (VDSC) |
| 12 | A2001105 | | FRONT SUPT (36) |
| 13 | A2005514 | | REAR BURNER SUPPORT |
| 14 | PA050114 | | MANIFOLD |
| 15 | A2001160 | | DRIP TRAY GUIDE BRKT (VGRT) |
| 16 | A2002793 | | INSULATION PANEL (VDSC-36) |
| 17 | A2002792 | | BURNER BOX BTM (VDSC-36) |
| 18 | 003519-000 | | PA010024 VALVE AND BOLT KIT (BEFORE 08/09/02) |
| 18 | G50012678 | | TOP BURNER VALVE KIT (BRASS VALVE REPLACEMENT) (BETWEEN 08/09/02 & 02/23/05) |
| 18 | PA010157 | | SUB TO 003515-000 - RANGE TOP BURNER VALVE (AFTER 02/23/05) |
| 19 | PA070001 | | PRESSURE REGULATOR (NAT.) |
| 20 | PA020015 | | SPARK IGNITION SWITCH (BEFORE 2/23/05) |
| 20 | PA020045 | | IGNITOR SWITCH (AFTER 2/23/05) |
| 21 | A1001138 | | MANIFOLD BRKT |
| 22 | PB010186 | | EK39 THERMOSTAT (SELF-CLEAN) |
| 23 | PJ030015 | | 6 POS. SELECTOR SWITCH |
| NI | PD020006 | | NO.6-32 X 1/4 PH.PAN HD. T(F) |
| NI | PB040034 | | ORIFICE HOOD-NO.50 (NAT) |
| NI | PB040036 | | ORIFICE HOOD-NO.57 (LP) |



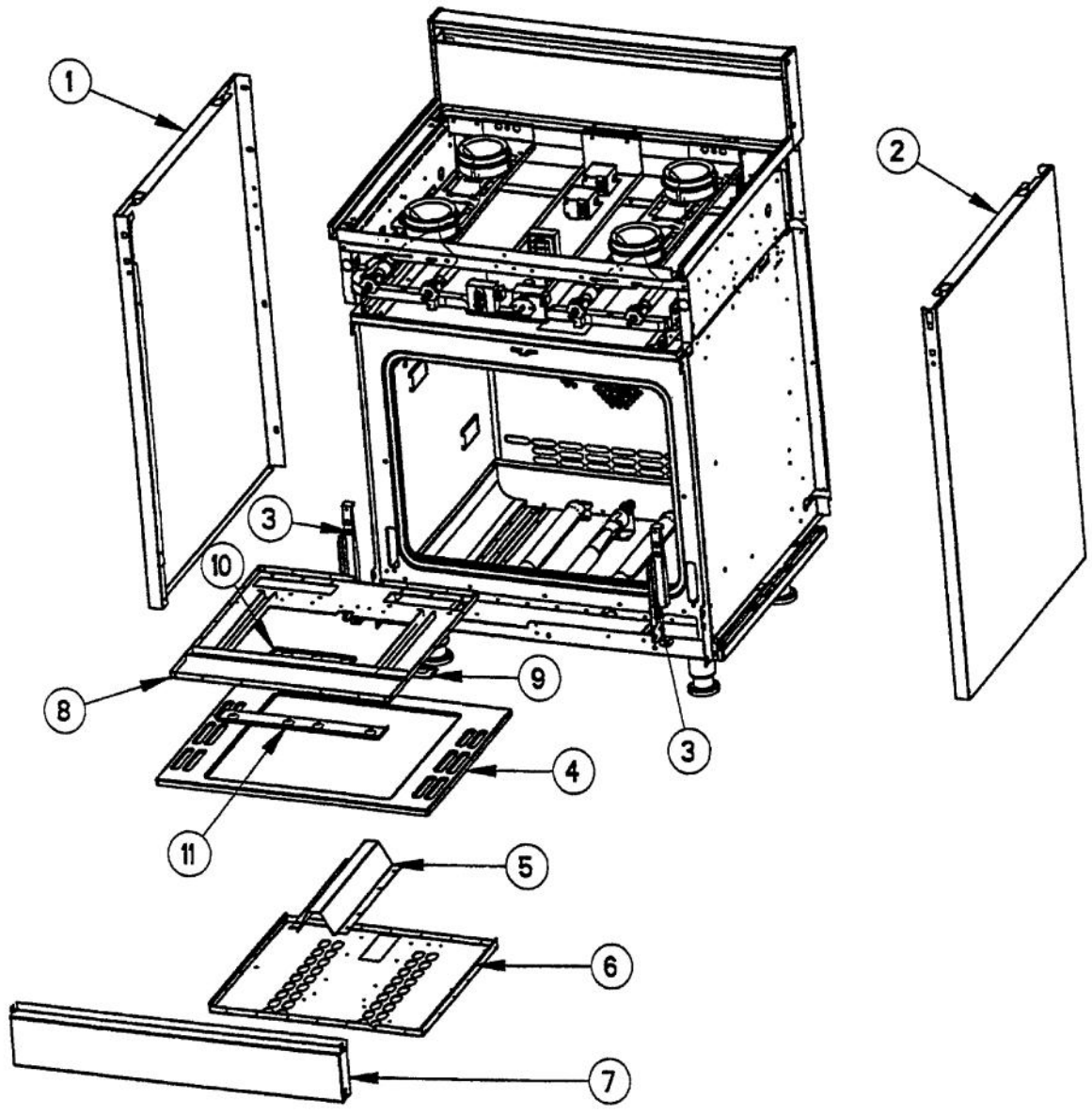
| Ref # | Part Number | Qty. | Description |
|-------|-------------|------|---|
| 1 | G3005654 | | GRIDDLE 12 |
| 2 | PD010017 | | BALL STUD (VGRT) |
| 3 | PD030012 | | 6-32 HEX NUT |
| 4 | A1001636 | | GRIDDLE VENTURI COVER |
| 5 | PB050077 | | GRILL BURNER |
| 6 | A2001949 | | T/STAT BULB COVER REPL A2001883 |
| 7 | A2002001 | | GRIDDLE HEAT BAFFLE - SLOT SUPT |
| 8 | A2001300 | | GRIDDLE IGNITOR BRKT |
| 9 | A2001148 | | GRIDDLE BOX (VGRT) |
| 10 | PB010083 | | SINGLE THERMAL VALVE LH (OVEN) |
| 11 | PA050114 | | MANIFOLD |
| 12 | PB010035 | | THERMOSTAT BAKE |
| 13 | PB010103 | | GRIDDLE KNOB N/S XBKX |
| 13 | PB010104 | | GRIDDLE KNOB N/S XWHX |
| 14 | A2005514 | | REAR BURNER SUPPORT |
| 15 | A2001105 | | FRONT SUPT (36) |
| 16 | PB040001 | | IGNITOR - (ALL RANGES) |
| 17 | PB030002 | | SUB TO 003862-000 - SHUTOFF VALVE (BEFORE 2/23/05) |
| 17 | PB030007 | | SHUT OFF VALVE (AFTER 2/23/05) |
| 18 | PD030031 | | THERMAL BULB CLIP - .250 |
| 19 | PE050023 | | OVEN IND. LIGHT (LENS & BEZEL) |
| 20 | PE050024 | | OVEN IND. LIGHT (LIGHT HOUSING) (CURRENT) |
| 21 | A2005519 | | GRIDDLE ORIFICE BRACKET |
| NI | PB020136 | | 44 3/8 S.S. FLEX TUBING T6-44 |
| NI | PB020112 | | 3/8 SS FLEX TUBING - 36 T6-36 |
| NI | PB020111 | | 3/8 SS FLEX TUBING - 27 T6-27 |
| NI | PB040190 | | 90 DEGREE ORIFICE FITTING NO.50 NAT |
| NI | PB040034 | | ORIFICE HOOD-NO.50 (NAT) |
| NI | PB040036 | | ORIFICE HOOD-NO.57 (LP) |
| NI | A2001179 | | BACK SUPT (VGRT) |



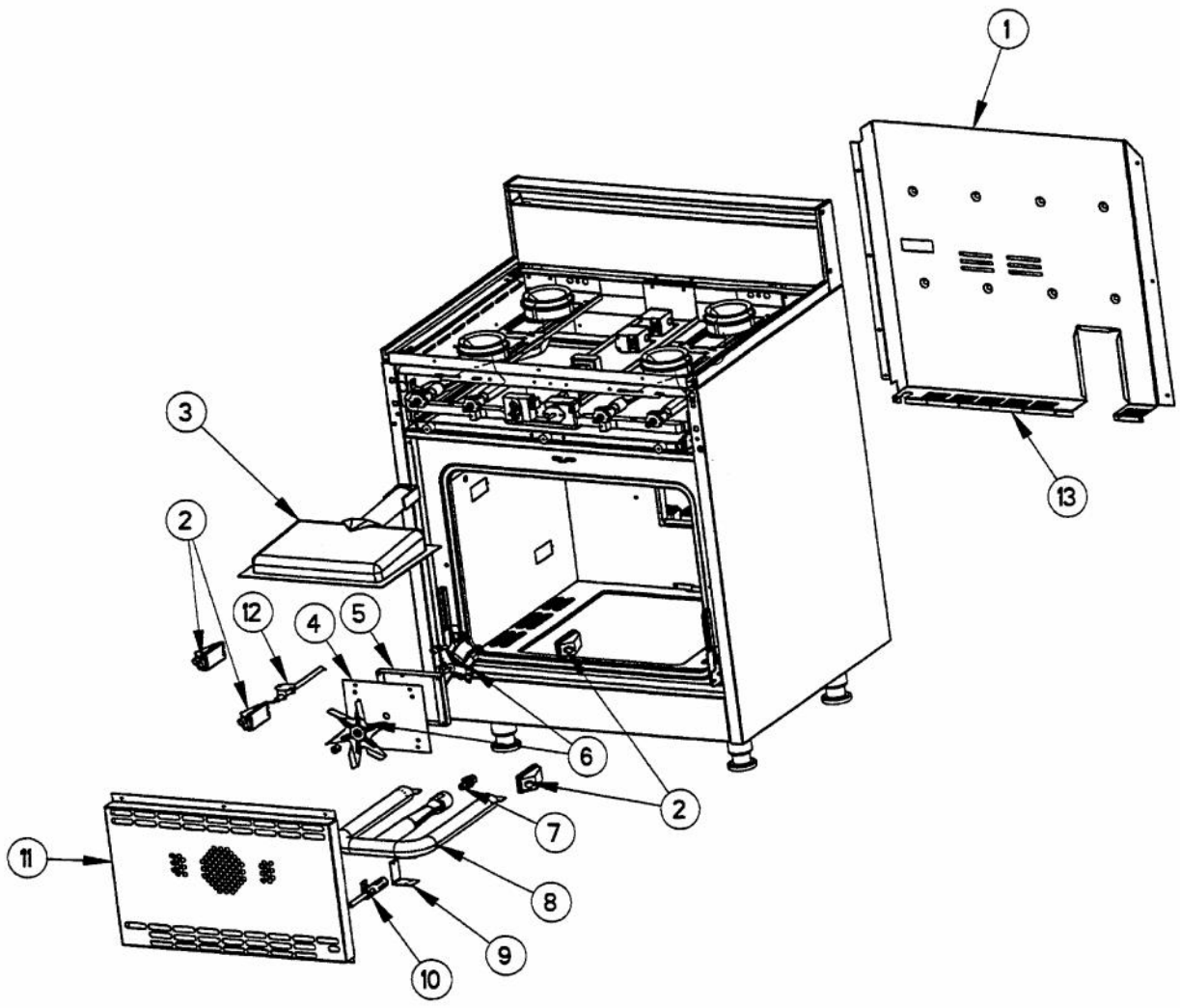
| Ref # | Part Number | Qty. | Description |
|-------|-------------|------|-------------------------------------|
| 1 | PA060028 | | GRILL GRATE - BK |
| 1 | PA060029 | | GRILL GRATE - GR |
| 2 | E9101130BK | | GRILL SMOKE GENERATOR |
| 3 | G9101182AL | | GRILL GRATE SUPT (VGRT) XALX |
| 3 | G9101182BK | | GRILL GRATE SUPT (VGRT) XBKX |
| 3 | G9101182BT | | GRILL GRATE SUPT (VGRT) XBTX |
| 3 | G9101182CB | | GRILL GRATE SUPT (VGRT) XCBX |
| 3 | G9101182EP | | GRILL GRATE SUPT (VGRT) XEPX |
| 3 | G9101182FG | | GRILL GRATE SUPT (VGRT) XFGX |
| 3 | G9101182GG | | GRILL GRATE SUPPORT - GG |
| 3 | G9101182LE | | GRILL GRATE SUPT (VGRT) XLEX |
| 3 | G9101182MJ | | GRILL GRATE SUPT (VGRT) XMJX |
| 3 | G9101182PL | | GRILL GRATE SUPT (VGRT) XPLX |
| 3 | G9101182SG | | GRILL GRATE SUPT (VGRT) XSGX |
| 3 | G9101182VB | | GRILL GRATE SUPT (VGRT) XVBX |
| 3 | G9101182WH | | GRILL GRATE SUPT (VGRT) XWHX |
| 4 | B2001140 | | GRILL FLAME SHIELD (VGRT) |
| 5 | PB050077 | | GRILL BURNER |
| 6 | B2001856 | | GRILL HEAT DEFLECTOR-LH (VGRC60) |
| 7 | B2001857 | | GRILL HEAT DEFLECTOR-RH (VGRC60) |
| 8 | A2001633 | | GRILL FRONT SPARKER BRKT (VGRC) |
| 9 | PA020014 | | SPARK IGNITOR |
| 10 | A2001855 | | GRILL BACK - (VGRC605) |
| 11 | A2001132 | | REAR GRILL BURNER BRKT (VGRT) |
| 12 | A1001862 | | GRILL VENTURI COVER (VGRC605) |
| 13 | A2001631 | | GRILL BOX FRONT (VGRC) |
| 14 | A2001852 | | GRILL BOX - (VGRC605) |
| 15 | A2001863 | | GRILL BTM SHIELD (VGRC605) |
| 16 | PB020025 | | TUBING-GRILL (REVISED) REP PB020021 |
| 17 | PA010030 | | GRILL VALVE-(VGRT) |
| 18 | PA050114 | | MANIFOLD |
| 19 | PD010012 | | VALVE BOLT 1/4-20 UNC-2B 5/16 M.S. |
| 20 | PA010039 | | TOP GRILL KNOBXBKX (VGRC) (N/STYLE |
| 20 | PA010040 | | TOP GRILL KNOBXWHX (VGRC) (N/STYLE |
| 21 | PD030012 | | 6-32 HEX NUT |
| 22 | PD010017 | | BALL STUD (VGRT) |
| 23 | PA020011 | | SPARK IGN SWITCH REPL PA020012 |
| NI | G3208263 | | GRILL STAINLESS STEEL COVER ASSY |
| NI | PB040060 | | ORIFICE HOOD-NO.49 |
| NI | PB040036 | | ORIFICE HOOD-NO.57 (LP) |



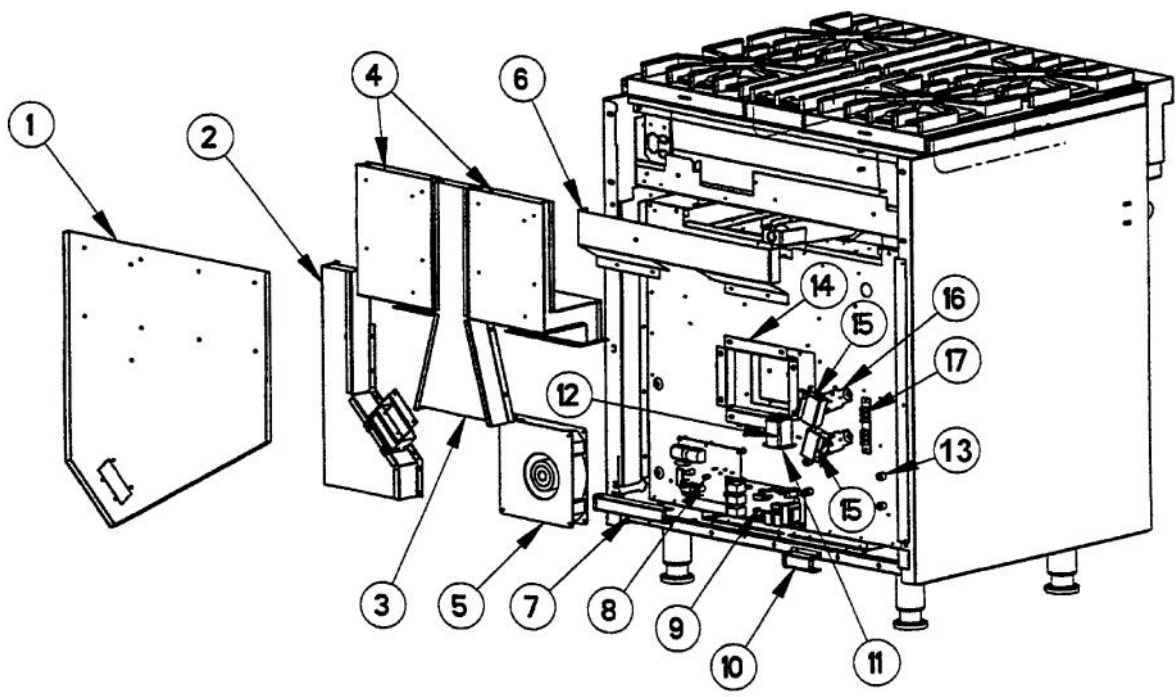
| Ref # | Part Number | Qty. | Description |
|-------|-------------|------|--|
| 1 | PK010021 | | LANDING LEDGE ASSEMBLY |
| 2 | PE050024 | | OVEN IND. LIGHT (LIGHT HOUSING) |
| 3 | PE050023 | | OVEN IND. LIGHT (LENS & BEZEL) |
| 4 | B9205516 | | CONTROL PANEL VGSC3666B |
| NI | B9205518 | | CONTROL PANEL VGSC3664Q |
| NI | B9205517 | | CONTROL PANEL VGSC3664G |
| 5 | PB010208 | | BEZEL, CHROME PLATE |
| 5 | PB010209 | | BEZEL BRASS |
| 6 | PE050016 | | OVEN LIGHT SWITCH - XBKX (WES-GAR) |
| 6 | PE050017 | | OVEN LIGHT SWITCH - XWHX (WES-GAR) |
| 7 | PA010034 | | TOP BURNER KNOB-XBKX (NEW STYLE) |
| NI | PA010035 | | (BEFORE 08/09/02) IF ORIGINAL VALVE HAS NEVER BEEN R... BURNER KNOB-WH NS REPL PA010028 |
| NI | PB010206 | | (BEFORE 08/09/02) IF ORIGINAL VALVE HAS NEVER BEEN R... VGSC,VGRC,VGRT TOP BURNER KNOB(BK) |
| NI | PB010207 | | (AFTER 08/09/02 - OR IF ORIGINAL VALVE HAS BEEN REPLA... VGSC,VGRC,VGRT TOP BURNER KNOB(WH) |
| 8 | PB060030 | | (AFTER 08/09/02 - OR IF ORIGINAL VALVE HAS BEEN REPLA... RACK SUPT REPL PB060010 |
| 9 | PB060045 | | OVEN RK VDSC36 REPL PB060020 |
| 10 | PB010187 | | THERMOSTAT KNOB SELF CLEAN XBKX |
| 10 | PB010188 | | THERMOSTAT KNOB SELF CLEAN XWHX |
| 11 | PA010080 | | SELECTOR KNOB SELF CLEAN XBKX |
| 11 | PA010081 | | SELECTOR KNOB SELF CLEAN XWHX |
| NI | PB080002 | | BROILER PAN |
| NI | PB080003 | | BROILER PAN TRAY (KRA2) |



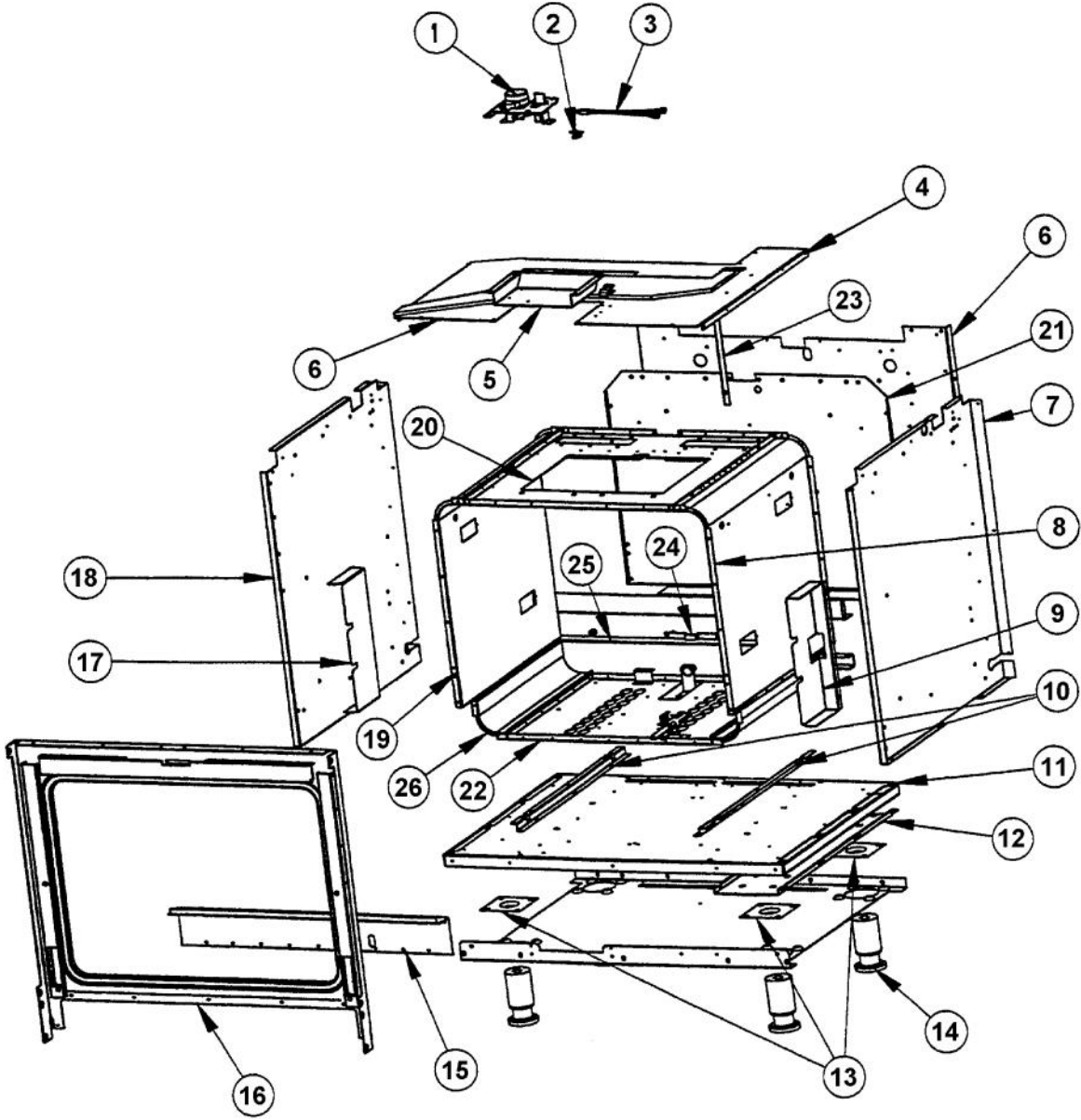
| Ref # | Part Number | Qty. | Description |
|-------|----------------|------|--------------------------------------|
| 1 | B2005682 | | O/S BODY PANEL - LH (VGSC4864GQ) |
| 1 | C9005682AL | | O/S BODY PANEL - LH (VGSC4864GQ) AL |
| 1 | C9005682BK | | O/S BODY PANEL - LH (VGSC4864GQ) BK |
| 1 | C9005682BT | | O/S BODY PANEL - LH (VGSC4864GQ) BT |
| 1 | C9005682BU | | O/S BODY PANEL - LH (VGSC4864GQ) BU |
| 1 | C9005682CB | | O/S BODY PANEL - LH (VGSC4864GQ) CB |
| 1 | C9005682EP | | O/S BODY PANEL - LH (VGSC4864GQ) EP |
| 1 | C9005682FG | | O/S BODY PANEL - LH (VGSC4864GQ) FG |
| 1 | C9005682GG | | O/S BODY PANEL - LH (VGSC4864GQ) GG |
| 1 | C9005682LE | | O/S BODY PANEL - LH (VGSC4864GQ) LE |
| 1 | C9005682MJ | | O/S BODY PANEL - LH (VGSC4864GQ) MJ |
| 1 | C9005682PL | | O/S BODY PANEL - LH (VGSC4864GQ)XPLX |
| 1 | C9005682SG | | O/S BODY PANEL - LH (VGSC4864GQ) SG |
| 1 | C9005682VB | | O/S BODY PANEL - LH (VGSC4864GQ) VB |
| 1 | C9005682WH | | O/S BODY PANEL - LH (VGSC4864GQ) WH |
| 2 | B2005681 | | O/S BODY PANEL - RH (VGSC4864GQ) |
| 2 | C9005681AL | | O/S BODY PANEL - RH (VGSC4864GQ) AL |
| 2 | C9005681BK | | O/S BODY PANEL - RH (VGSC4864GQ) BK |
| 2 | C9005681BT | | O/S BODY PANEL - RH (VGSC4864GQ) BT |
| 2 | C9005681BU | | O/S BODY PANEL - RH (VGSC4864GQ) BU |
| 2 | C9005681CB | | O/S BODY PANEL - RH (VGSC4864GQ) CB |
| 2 | C9005681EP | | O/S BODY PANEL - RH (VGSC4864GQ) EP |
| 2 | C9005681FG | | O/S BODY PANEL - RH (VGSC4864GQ) FG |
| 2 | C9005681GG | | O/S BODY PANEL - RH (VGSC4864GQ) GG |
| 2 | C9005681LE | | O/S BODY PANEL - RH (VGSC4864GQ) LE |
| 2 | C9005681MJ | | O/S BODY PANEL - RH (VGSC4864GQ) MJ |
| 2 | C9005681PL | | O/S BODY PANEL - RH (VGSC4864GQ)XPLX |
| 2 | C9005681SG | | O/S BODY PANEL - RH (VGSC4864GQ) SG |
| 2 | C9005681VB | | O/S BODY PANEL - RH (VGSC4864GQ) VB |
| 2 | C9005681WH | | O/S BODY PANEL - RH (VGSC4864GQ) WH |
| NI | PD020032 | | SRW-8(A)X3/8PH.WFR HD 7/16DIAXNICL |
| 3 | PC020126 | | HINGE ASSEMBLY |
| NI | PD020033 | | SRW-NO.10-24X1/2T(23)PH.WFR HD (NKL) |
| 4 | G9105526 | | OVEN BOTTOM ASSY (VGSC366) |
| 5 | A2004424 | | BURNER COVER (VGSC306) |
| 6 | NOT REPLACABLE | | LABEL |
| 7 | B2001504 | | LWR ACC PNL - RPLCS B2001977 |
| 7 | C9001504AL | | LWR ACC PNL - RPLCS C9001977AL |
| 7 | C9001504BK | | LWR ACC PNL - RPLCS C9001977BK |
| 7 | C9001504BT | | LWR ACC PNL - RPLCS C9001977BT |
| 7 | C9001504BU | | LWR ACC PNL - RPLCS C9001977BU |
| 7 | C9001504CB | | LWR ACC PNL - RPCLS C9001977CB |
| 7 | C9001504EP | | LWR ACC PNL - RPLCS C9001977EP |
| 7 | C9001504FG | | LWR ACC PNL - RPLCS C9001977FG |
| 7 | C9001504GG | | LWR ACC PNL - RPLCS C9001977GG |
| 7 | C9001504LE | | LWR ACC PNL - RPLCS C9001977LE |
| 7 | C9001504MJ | | LWR ACC PNL - RPLCS C9001977MJ |
| 7 | C9001504PL | | LWR ACC PNL - RPLCS C9001977PL |
| 7 | C9001504SG | | LWR ACC PNL - RPCLS C9001977SG |
| 7 | C9001504VB | | LWR ACC PNL - RPLCS C9001977VB |
| 7 | C9001504WH | | LWR ACC PNL - RPLCS C9001977WH |
| 8 | G9105506 | | OVEN CAVITY TOP WELD ASSY. |
| 9 | B2004412 | | I/R BRACE RH (VGSC306) |
| 10 | B2004413 | | I/R BRACE LH (VGSC306) |
| 11 | B2001448 | | IR BROIL SUPT (FRONT) |
| NI | 019501-000 | | 36 CURB BASE KIT |



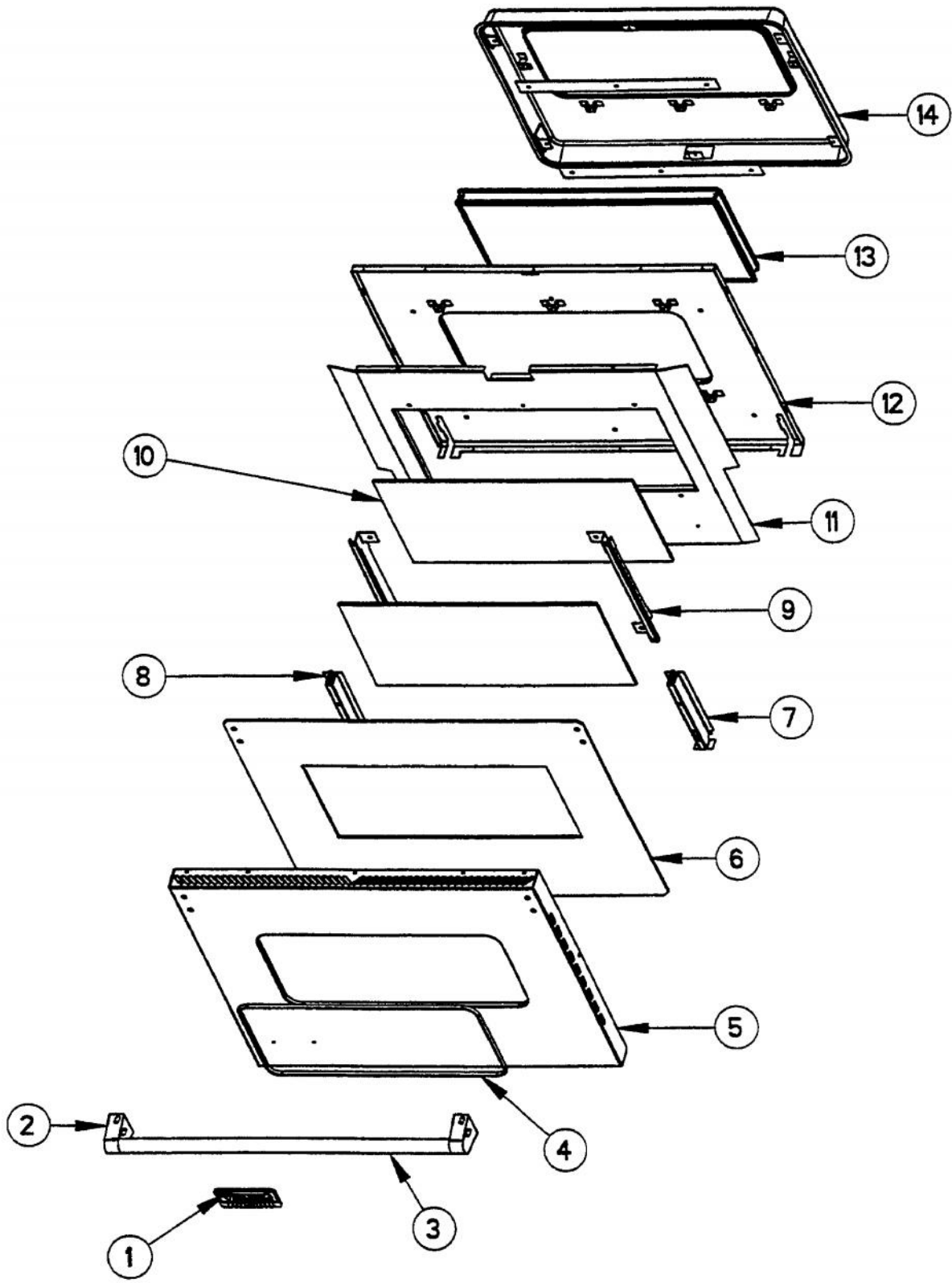
| Ref # | Part Number | Qty. | Description |
|-------|-------------|------|-------------------------------------|
| 1 | A2005522 | | OUTSIDE BACK (VGSC366) |
| 2 | PE050056 | | OVEN LIGHT ASSY 12V/5W |
| 3 | G3001876 | | IR BURNER ASSY (VGSC/RC) N/S |
| 4 | A1002596 | | CONVECTION FAN COVER (VDSC) |
| 5 | A2002595 | | CONVECTION FAN BOX (VDSC) |
| 6 | PE050057 | | CONVECTION FAN (VGSC306) |
| 7 | PB040172 | | 3/8 X 3/8 ORIFICE FITTING |
| 8 | 006200-000 | | U-SHAPE BAKE BURNER 10 NAT. |
| 9 | A2004452 | | BOTTOM IGNITION BRACKET (VGSC306) |
| 10 | PB040170 | | BAKE IGNITION ELECTRODE |
| 11 | G9105513 | | CONVECTION FAN COVER ASSY (VGSC366) |
| 12 | PB040171 | | BROIL IGNITION ELECTRODE |
| NI | PB020111 | | 3/8 SS FLEX TUBING - 27 T6-27 |
| NI | PB020112 | | 3/8 SS FLEX TUBING - 36 T6-36 |
| NI | PB020126 | | 3/8` S.S. FLEX TUBING 15`` (DGCU) |
| NI | PB040180 | | ORIFICE HOOD NO.31 |
| NI | PB040040 | | ORIFICE-IR BURNER (VGSC) |
| NI | PB040027 | | IR BUR.SPUD ORF. - NO.56 LP |



| Ref # | Part Number | Qty. | Description |
|-------|-------------|------|---------------------------------------|
| 1 | A2005511 | | BACK AIR CHANNEL |
| 2 | G3004446 | | COOLING FAN DUCT WELD ASSY(VGSC306) |
| 3 | G3004444 | | BROILER FLUE WELD ASSY (VGSC306) |
| 4 | G3004414 | | FLUE ASSY (VGSC306) |
| 5 | PE050026 | | COOLING FAN (VDSC) |
| 6 | A2004464 | | FLUE HEAT SHIELD (VGSC306) |
| 7 | A2004480 | | WIRE CHANNEL LH (VGSC306) |
| 8 | PA020035 | | DSI MODULE REPL PA020027 |
| 9 | PE070148 | | SELF-CLEAN BOARD/TIMER (VDSC) |
| 10 | A2004481 | | WIRE CHANNEL RH (VGSC306) |
| 11 | A2004458 | | RELAY BRACKET (VGSC306) (2 RELAY) |
| 12 | PM010029 | | RELAY (DOUBLE POLE-DOUBLE THROW)TEM |
| 13 | PD030033 | | GROMMET NUT-ROUND HD. NO.8 X .500DIA. |
| 14 | A2008467 | | INSULATION SHIELD |
| 15 | PJ030002 | | AUTO RESET (SELF-CLEAN) VDSC |
| 16 | A1002456 | | THERMO-DISC BRKT (VDSC) |
| 17 | PE050001 | | TERMINAL BOARD |
| NI | PE070245 | | LIGHT EXTENTION HARNESS (VGSC306) |
| NI | G4000935 | | BAKE/BROIL JUMPER WIRE - VGR/VCM |
| NI | G4005411 | | DSI BAKE JUMPER (VGSC306) |
| NI | G4005412 | | DSI BROIL JUMPER (VGSC306) |
| NI | PE070128 | | SUPPLY CORD (VGRT/SC/SS/RC) |



| Ref # | Part Number | Qty. | Description |
|-------|----------------|------|-------------------------------------|
| 1 | PE050053 | | DR LATCH REPL PE050020 |
| 2 | PJ030006 | | SWITCH (COOLING FAN) |
| 3 | PE050059 | | HI-LIMIT SWITCH |
| NI | A2005676 | | VGSC HIGH LIMIT BRACKET |
| 4 | A2005509 | | OVEN TOP INSULATION RET. |
| 5 | A2004423 | | DOOR LOCK BOX (VGSC306) |
| 6 | A2005510 | | OVEN BACK INSULATION RETAINER |
| 7 | A2005549 | | OVEN SIDE INSUL RETAINER R.H. |
| 8 | NOT REPLACABLE | | LABEL |
| 9 | A2004486 | | HINGE INSULATION SHIELD RH(VGSC306) |
| 10 | A2004429 | | OVEN BOTTOM INSUL. BRACE (VGSC306) |
| 11 | A2002784 | | BTM INSUL. SHIELD (VDSC365) |
| 12 | A2002482 | | LEG BRACE (VDSC) |
| 13 | PC030007 | | LEG PLATE - 3/4 THREADED HOLE |
| 14 | PC030017 | | 4 LEG ASSY |
| 15 | E9105500 | | BAKE BURNER BOX FRONT |
| 16 | G9102744 | | OVEN FRONT FRAME ASSY (VDSC36) |
| 17 | A2002183 | | HINGE INSULATION COVER (VDSC) |
| 18 | A2005550 | | OVEN SIDE INSUL RETAINER |
| 19 | NOT REPLACABLE | | LABEL |
| 20 | NOT REPLACABLE | | LABEL |
| 21 | E9105503 | | OVEN CAVITY BACK |
| 22 | NOT REPLACABLE | | LABEL |
| 23 | A2004471 | | BACK AIR CHANNEL CENTER (VGSC306) |
| 24 | A2004428 | | REAR BOTTOM BRCKT (VGSC306) |
| 25 | E9105501 | | BAKE BURNER BOX BACK |
| 26 | NOT REPLACABLE | | LABEL |



| Ref # | Part Number | Qty. | Description |
|-------|--------------|------|---|
| 1 | PE010030 | | LOGO, 6, PRO, BK |
| 1 | PE010068 | | LOGO, 6, PRO, BK/BR |
| 1 | PE010031 | | LOGO 6 (VGRC) XBK/WHX |
| 1 | PE010076 | | LOGO 6 (VGRC) XBR/WHX |
| NI | PD030006 | | CAPPED WASHER PAL NUT |
| 2 | PE030001 | | BRACKET, DOOR, HANDLE |
| 2 | PE030001PVD | | END CAP DOOR HANDLE XBR |
| NI | PD010019 | | BLT-1/4-20X3/8HEX WASHER SERATED |
| 3 | PE030006 | | DOOR HANDLE - 36 (VGRC) |
| 3 | PE030013PVD | | DOOR HANDLE (36) PVD |
| 4 | PE060031 | | J-MOLD (LARGE WINDOW) |
| 4 | PE060045 | | J-MOLD (LARGE WINDOW) XBRX |
| 5 | B2002798 | | O/S DOOR PANEL XSSX (VDSC36) |
| 5 | C9002798AL | | O/S DOOR PANEL-XALX (VDSC36) |
| 5 | C9002798BK | | O/S DOOR PANEL-XBKX (VDSC36) |
| 5 | C9002798BT | | O/S DOOR PANEL-XBTX (VDSC36) |
| 5 | C9002798BU | | O/S DOOR PANEL-XBUX (VDSC36) |
| 5 | C9002798CB | | O/S DOOR PANEL-CBX (VDSC36) |
| 5 | C9002798EP | | O/S DOOR PANEL-XEPX (VDSC36) |
| 5 | C9002798FG | | O/S DOOR PANEL-XFGX (VDSC36) |
| 5 | C9002798GG | | O/S DOOR PANEL-XGGX (VDSC36) |
| 5 | C9002798LE | | O/S DOOR PANEL-XLEX (VDSC36) |
| 5 | C9002798MJ | | O/S DOOR PANEL_XMJX (VDSC36) |
| 5 | C9002798PL | | O/S DOOR PANEL-XPLX (VDSC36) |
| 5 | C9002798SG | | O/S DOOR PANEL-XSGX (VDSC36) |
| 5 | C9002798VB | | O/S DOOR PANEL-XVBX (VDSC36) |
| 5 | C9002798WH | | O/S DOOR PANEL-XWHX (VDSC36) |
| NI | PD020002 | | 10 X 1/2 PH.TR.HD.SMS. |
| NI | PD020032 | | SRW-8(A)X3/8PH.WFR HD 7/16DIAXNICL |
| NI | PD020014 | | 10X3/4 PH TR HD SMS |
| 6 | J1002799 | | OVEN DR HEAT SINK (VDSC36) |
| 7 | A2002498 | | HINGE POCKET COVER RH |
| 8 | A2002499 | | HINGE POCKET COVER LH |
| 9 | A2002367 | | DOOR GLASS BRKT |
| 10 | PE060039 | | GLASS-HEAT TREATED (HB2) VDSC |
| 11 | A2002800 | | DOOR INSULATION RETAINER (VDSC36) |
| 12 | G9102748 | | DOOR LINER ASSY (VDSC36) |
| 13 | PE060030 | | GLASS-OUTER DOOR BK SCREENED,TEMP |
| 14 | G9102746 | | DOOR PLUG ASSY (VDSC36) |
| NI | PB070041 | | SUB TO 000623-000 - DOOR GASKET(3/8DIA.) (VDSC) |
| NI | PB070034 | | INSULATION-TRS-10 1 X 20 X 3` |
| NI | PB070076 | | WOOL INSULATION 1 X 21 X 3` |
| NI | PB070040 | | FIBERGLASS ROPE |
| NI | G3202805AL | | DOOR SUB-ASSY-XALX (VDSC36) |
| NI | G3202805ALBR | | DOOR SUB-ASSY-XALXXBRX (VDSC36) |
| NI | G3202805BK | | DOOR SUB-ASSY-XBKX (VDSC36) |
| NI | G3202805BKBR | | DOOR SUB-ASSY-XBKXXBRX (VDSC36) |
| NI | G3202805BT | | DOOR SUB-ASSY-XBTX (VDSC36) |
| NI | G3202805BTBR | | DOOR SUB-ASSY-XBTXXBRX (VDSC36) |
| NI | G3202805BU | | DOOR SUB-ASSY-XBUX (VDSC36) |
| NI | G3202805BUBR | | DOOR SUB-ASSY-XBUXXXBRX (VDSC36) |
| NI | G3202805CB | | DOOR SUB-ASSY-XCBX (VDSC36) |
| NI | G3202805CBBR | | DOOR SUB-ASSY-XCBXXBR (VDSC36) |
| NI | G3202805EP | | DOOR SUB-ASSY- XEPX (VDSC36) |
| NI | G3202805EPBR | | DOOR SUB-ASSY- XEPXXBRX (VDSC36) |
| NI | G3202805FG | | DOOR SUB-ASSY- XFGX (VDSC36) |
| NI | G3202805FGBR | | DOOR SUB-ASSY- XFGXXBRX (VDSC36) |
| NI | G3202805GG | | DOOR SUB-ASSY-XGGX (VDSC36) |
| NI | G3202805GGBR | | DOOR SUB-ASSY-XGGXXBRX (VDSC36) |
| NI | G3202805LE | | DOOR SUB-ASSY- XLEX (VDSC36) |

| Ref # | Part Number | Qty. | Description |
|-------|--------------|------|------------------------------------|
| NI | G3202805LE | | DOOR SUB-ASSY- XLEX (VDSC36) |
| NI | G3202805LEBR | | DOOR SUB-ASSY- XLEXXBRX (VDSC36) |
| NI | G3202805MJ | | DOOR SUB-ASSY- XMJX (VDSC36) |
| NI | G3202805MJBR | | DOOR SUB-ASSY- XMJXXBRX (VDSC36) |
| NI | G3202805PL | | DOOR SUB-ASSY-XPLX (VDSC36) |
| NI | G3202805PLBR | | DOOR SUB-ASSY-XPLXXBRX (VDSC36) |
| NI | G3202805SG | | DOOR SUB-ASSY- XSGX (VDSC36) |
| NI | G3202805SGBR | | DOOR SUB-ASSY- XSGXXBRX (VDSC36) |
| NI | G3202805SS | | DOOR SUB-ASSY-XSSX (VDSC36) |
| NI | G3202805SSBR | | DOOR SUB-ASSY-XSSXXBRX (VDSC36) |
| NI | G3202805VB | | DOOR SUB-ASSY-XVBX (VDSC36) |
| NI | G3202805VBBR | | DOOR SUB-ASSY- XVBXXBRX (VDSC36) |
| NI | G3202805WH | | DOOR SUB-ASSY-XWHX (VDSC36) |
| NI | G3202805WHBR | | DOOR SUB-ASSY-XWHXXBRX (VDSC36) |
| NI | PD020032 | | SRW-8(A)X3/8PH.WFR HD 7/16DIAXNICL |

*No Image
Available*

| Ref # | Part Number | Qty. | Description |
|-------|-------------|------|------------------------------------|
| NI | PE070277 | 1 | VGSC366 OVEN HARNESS |
| NI | PE070223 | 1 | WIRE HARNESS P/C BOARD |
| NI | PE070279 | 1 | VGSC3664G TOP HARNESS |
| NI | PE070281 | 1 | VGSC3664G GRIDDLE HARNESS |
| NI | G4005556 | 1 | IGNITOR HARNESS VGSC36664G |
| NI | G4001873 | 1 | WIRE HARNESS (8) (VGRC60) |
| NI | G4000935 | 1 | BAKE/BROIL JUMPER WIRE - VGR/CM |
| NI | G4007410 | 1 | GRIDDLE VALVE WIRE ASSY(VGSC3664G) |
| NI | G4002843 | 1 | WIRE ASSEMBLY (VDSC48) |
| NI | PE070659 | 1 | IGNITOR WIRE KIT - VGSC366-4G |
| NI | G4000936 | | GROUND WIRE |