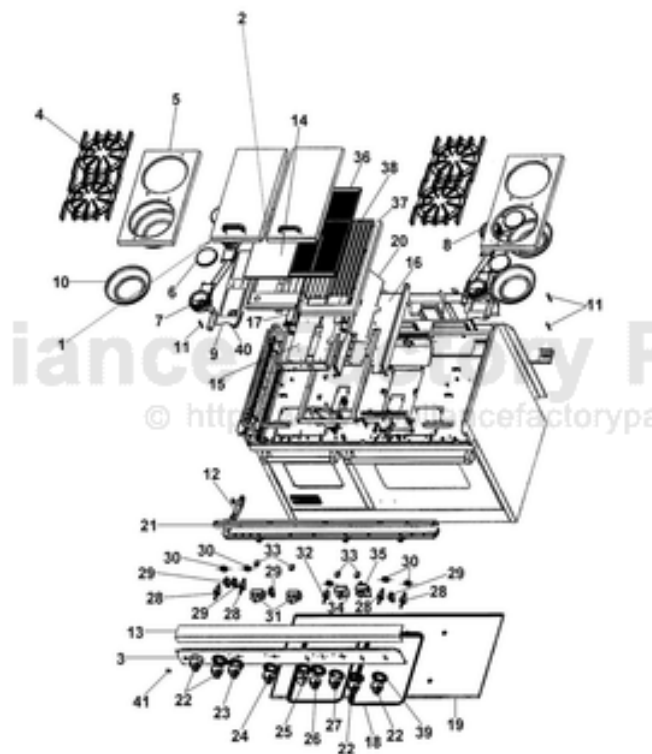


This Owner's Manual is provided and hosted by [Appliance Factory Parts](http://ApplianceFactoryParts.com).



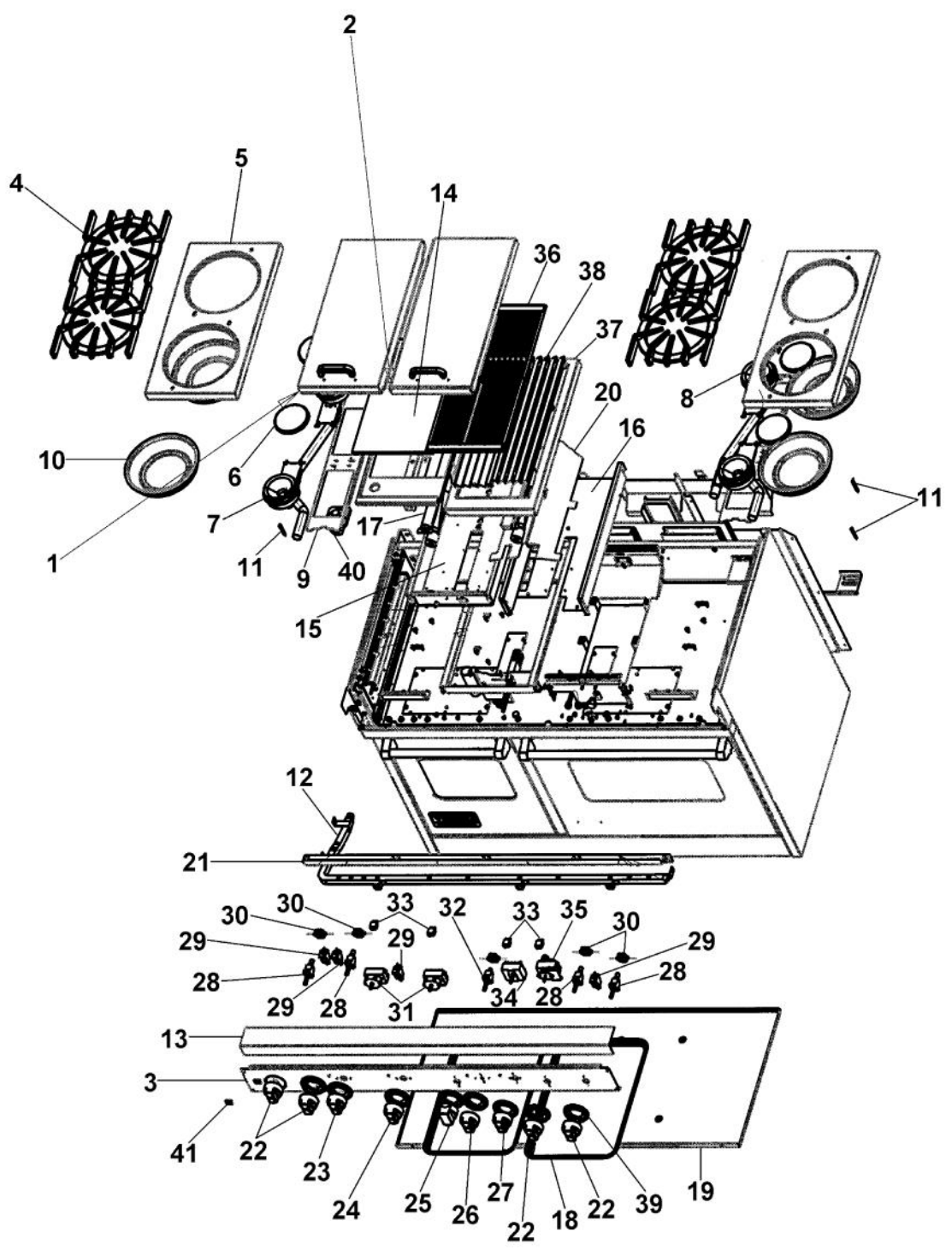
VIKING VGSC486 Owner's Manual

[Shop genuine replacement parts for VIKING VGSC486](#)



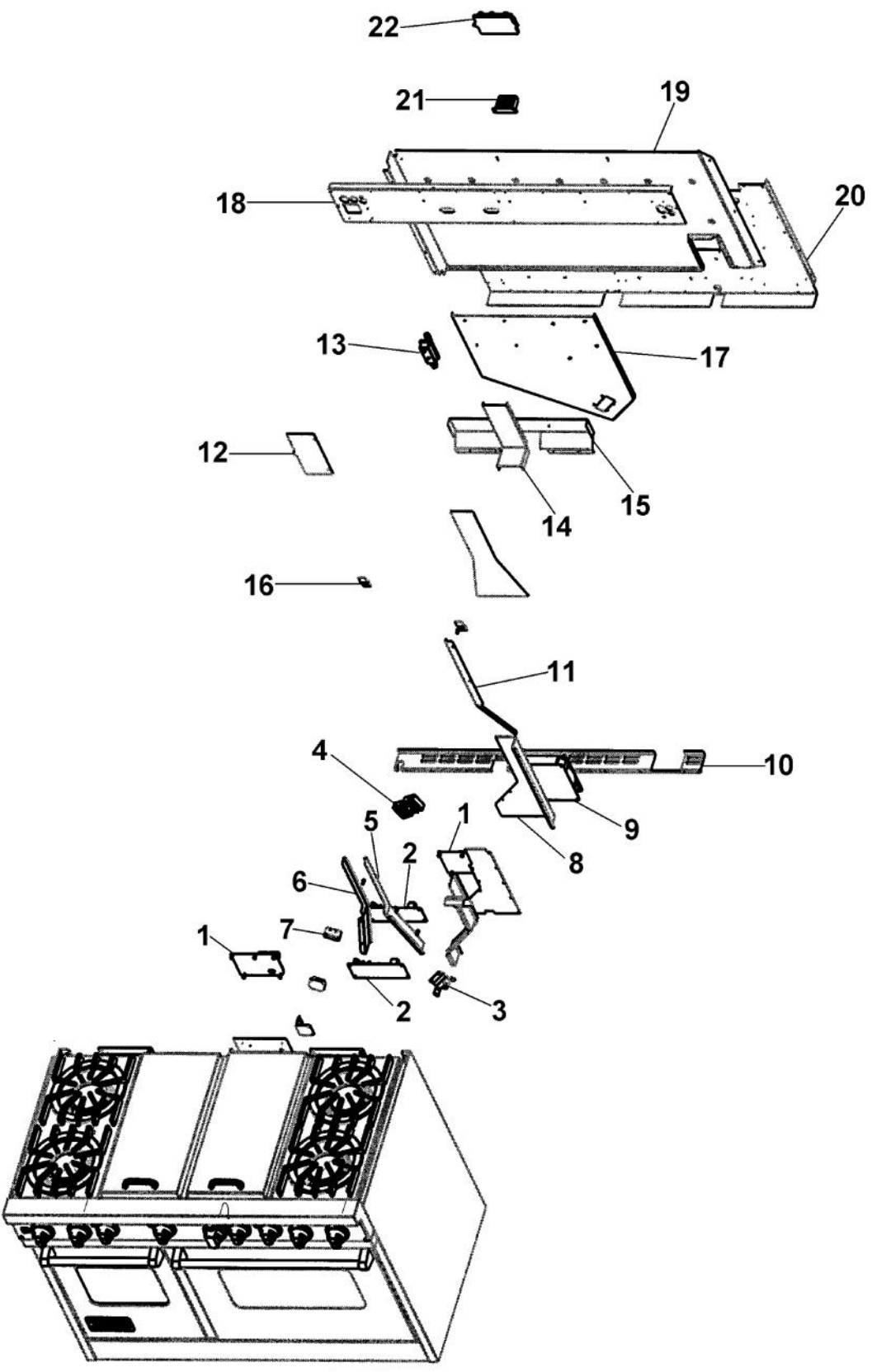
[Find Your VIKING Range Hoods Parts - Select From 411 Models](#)

----- Manual continues below -----

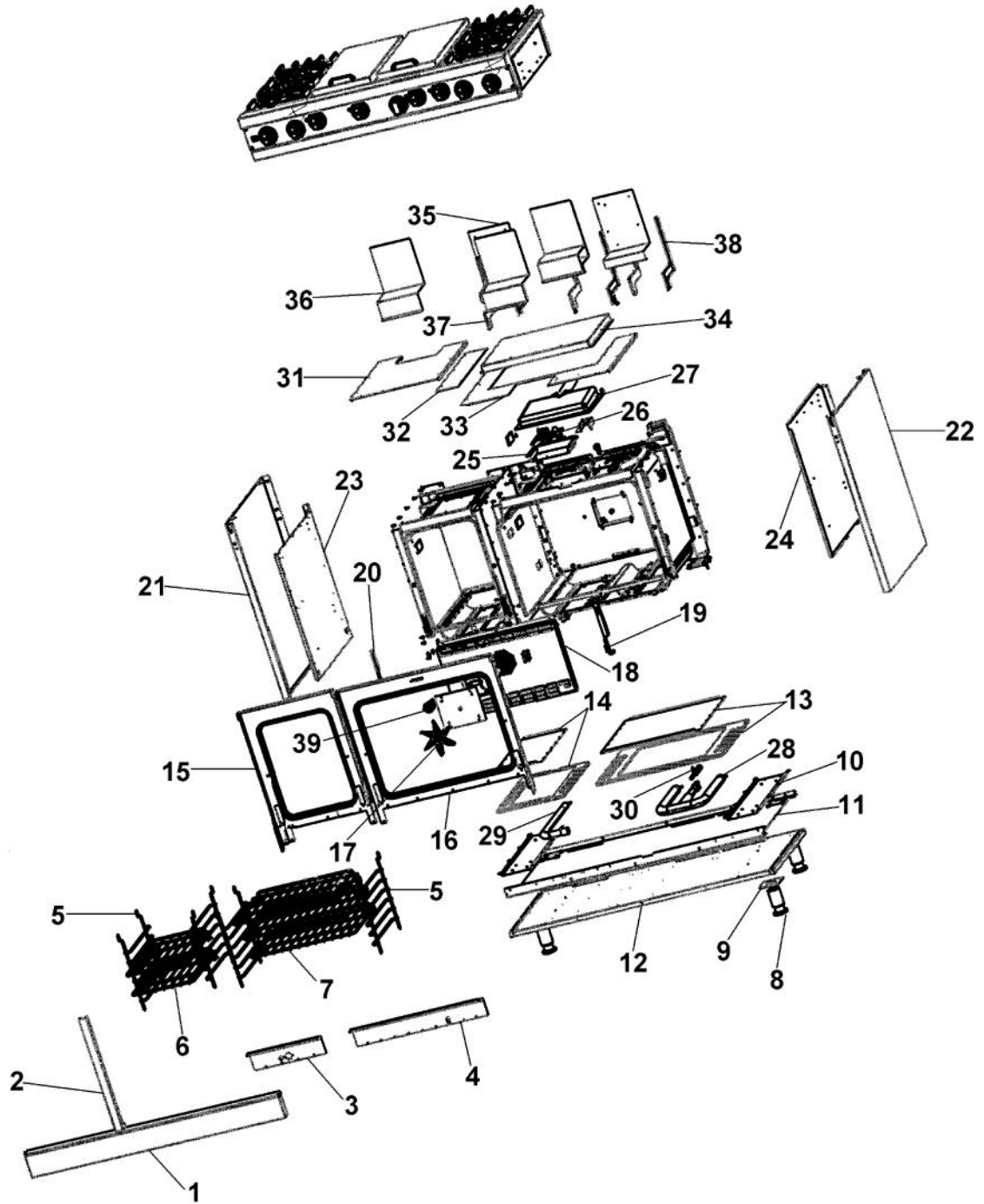


Ref #	Part Number	Qty.	Description
1			GRIDDLE COVER ASSY - 12 (SALES ITEM) GRIDDLE COVER ASSY - 24 (SALES ITEM)
2	G3208263		GRILL STAINLESS STEEL COVER ASSY
3	B9205595		VGSC4864GQ CONTROL PANEL
	B9205596		VGSC4866G CONTROL PANEL
	B9205597		VGSC4866Q CONTROL PANEL
	B9205598		VGSC4864G CONTROL PANEL
4	PA060037		GRATE BK REPL PA060024 (GEN.NO.2)
	PA060038		GRAY GRATES
5	G50013584AL		BURNER GRATE SUPPORT ASSEMBLY - AL
	G50013584BK		GRATE SUPPORT SERVICE KIT (BK)
	G50013584BT		GRATE SUPPORT SERVICE KIT (BT) - NLA
	G50013584CB		BURNER GRATE SUPPORT ASSEMBLY - CB
	G50013584EP		BURNER GRATE SUPPORT ASSEMBLY - EP
	G50013584FG		BURNER GRATE SUPPORT ASSEMBLY - FG
	G50013584GG		BURNER GRATE SUPPORT ASSEMBLY - GG
	G50013584LE		BURNER GRATE SUPPORT ASSEMBLY - LE
	G50013584MJ		BURNER GRATE SUPPORT ASSEMBLY - MJ
	G50013584SG		BURNER GRATE SUPPORT ASSEMBLY - SG
	G50013584VB		BURNER GRATE SUPPORT ASSEMBLY - VB
	G50013584WH		GRATE SUPPORT SERVICE KIT (WH)
6	PA080015		BURNER CAP-VGRT XBKX
	PA080016		BURNER CAP-VGRT (GRAY-MATT)
7	PA080037		TOP BURNER FRONT REPL PA080007
8	PA080036		TOP BURNER REAR REPL PA080008
9	A2001112		BURNER SUPT (VGRT)
10	PA030002AL		BURNER BOWL - AL
	PA030002BK		BURNER BOWL (VGRT) XXBKXX
	PA030002BT		BURNER BOWL - BT
	PA030002CB		BURNER BOWL - CB
	PA030002EP		BURNER BOWL - EP
	PA030002FG		BURNER BOWL - FG
	PA030002GG		BURNER BOWLS - GG
	PA030002LE		BURNER BOWLS - LE
	PA030002MJ		BURNER BOWL (VGRT) XXMJXX
	PA030002SG		BURNER BOWL - SG
	PA030002VB		BURNER BOWL (VGRT) XXVBXX
	PA030002WH		BURNER BOWL (VGRT) XXWHXX
11	PA020014		SPARK IGNITOR
12	PA050115		UNIVERSAL 48 MANIFOLD
13	G3001584		LANDING LGD 48
14	G30010494		GRIDDLE WELD ASSY
	G30010495		GRIDDLE ASSEMBLY
15	A2001148		GRIDDLE BOX (VGRT)
NI	PB040001		IGNITOR - (ALL RANGES)
NI	PB010264		GRIDDLE THERMOSTAT
16	A2001852		GRILL BOX - (VGRC605)
17	PB050077		GRILL BURNER
18	J2101749		GREASE PAN
19	G3002825		DRIP TRAY (VDSC48)
NI	G3002580		DRIP TRAY HANDLE ASSY XSSX (VDSC48)
NI	G9302581PVD		DRIP TRAY HANDLE - BR (BEFORE 3/23/04)
20	B2001856		GRILL HEAT DEFLECTOR-LH (VGRC60)
NI	B2001857		GRILL HEAT DEFLECTOR-RH (VGRC60)
21	A2001104		FRONT SUPT (48)
22	PB010206		VGSC,VGRC,VGRT TOP BURNER KNOB(BK)
	PB010207		VGSC,VGRC,VGRT TOP BURNER KNOB(WH)
23	PB010101		THERMOSTAT BAKE KNOB N/S XBKX

Ref #	Part Number	Qty.	Description
23	PB010101		THERMOSTAT BAKE KNOB N/S XBKX
	PB010102		THERMOSTAT BAKE KNOB N/S XWHX
24	PB010103		GRIDDLE KNOB N/S XBKX
	PB010104		GRIDDLE KNOB N/S XWHX
25	PA010039		TOP GRILL KNOB XBKX (VGRC) (N/STYLE
	PA010040		TOP GRILL KNOB XWHX (VGRC) (N/STYLE
26	PA010080		SELECTOR KNOB SELF CLEAN XBKX
	PA010081		SELECTOR KNOB SELF CLEAN XWHX
27	PB010187		THERMOSTAT KNOB SELF CLEAN XBKX
	PB010188		THERMOSTAT KNOB SELF CLEAN XWHX
28	PA010096		SUB TO 003542-000 - BRASS VALVE
28			(BEFORE 2/23/05)
28	PA010157		SUB TO 003515-000 - RANGE TOP BURNER VALVE
			ON AND AFTER 2-23-05
29	PB030002		SUB TO 003862-000 - SHUTOFF VALVE
30	PA020015		SPARK IGNITION SWITCH
			(BEFORE 2/23/05)
	PA020045		IGNITOR SWITCH
			ON AND AFTER 2-23-05
31	PB010264		GRIDDLE THERMOSTAT
32	PA010030		GRILL VALVE-(VGRT)
33	PE050024		OVEN IND. LIGHT (LIGHT HOUSING)
NI	PE050023		OVEN IND. LIGHT (LENS & BEZEL)
34	PJ030015		6 POS. SELECTOR SWITCH
35	PB010186		EK39 THERMOSTAT (SELF-CLEAN)
36	PA060058		GRILL GRATE - MATT XBKX RE PA060028
	PA060059		GRILL GRATE -MATT XGRX RE PA060029
37	G9101182AL		GRILL GRATE SUPT (VGRT) XALX
	G9101182BK		GRILL GRATE SUPT (VGRT) XBKX
	G9101182BT		GRILL GRATE SUPT (VGRT) XBTX
	G9101182CB		GRILL GRATE SUPT (VGRT) XCBX
	G9101182EP		GRILL GRATE SUPT (VGRT) XEPX
	G9101182FG		GRILL GRATE SUPT (VGRT) XFGX
	G9101182GG		GRILL GRATE SUPPORT - GG
	G9101182LE		GRILL GRATE SUPT (VGRT) XLEX
	G9101182MJ		GRILL GRATE SUPT (VGRT) XMJX
	G9101182SG		GRILL GRATE SUPT (VGRT) XSGX
	G9101182VB		GRILL GRATE SUPT (VGRT) XVBX
	G9101182WH		GRILL GRATE SUPT (VGRT) XWHX
38	E9101130BK		GRILL SMOKE GENERATOR
39	PB010208		BEZEL, CHROME PLATE
	PB010209		BEZEL BRASS
40	PA070001		PRESSURE REGULATOR (NAT.)
41	PE050016		OVEN LIGHT SWITCH - XBKX (WES-GAR)
	PE050017		OVEN LIGHT SWITCH - XWHX (WES-GAR)
NI	A2001179		BACK SUPT (VGRT)
NI	PB010035		THERMOSTAT BAKE

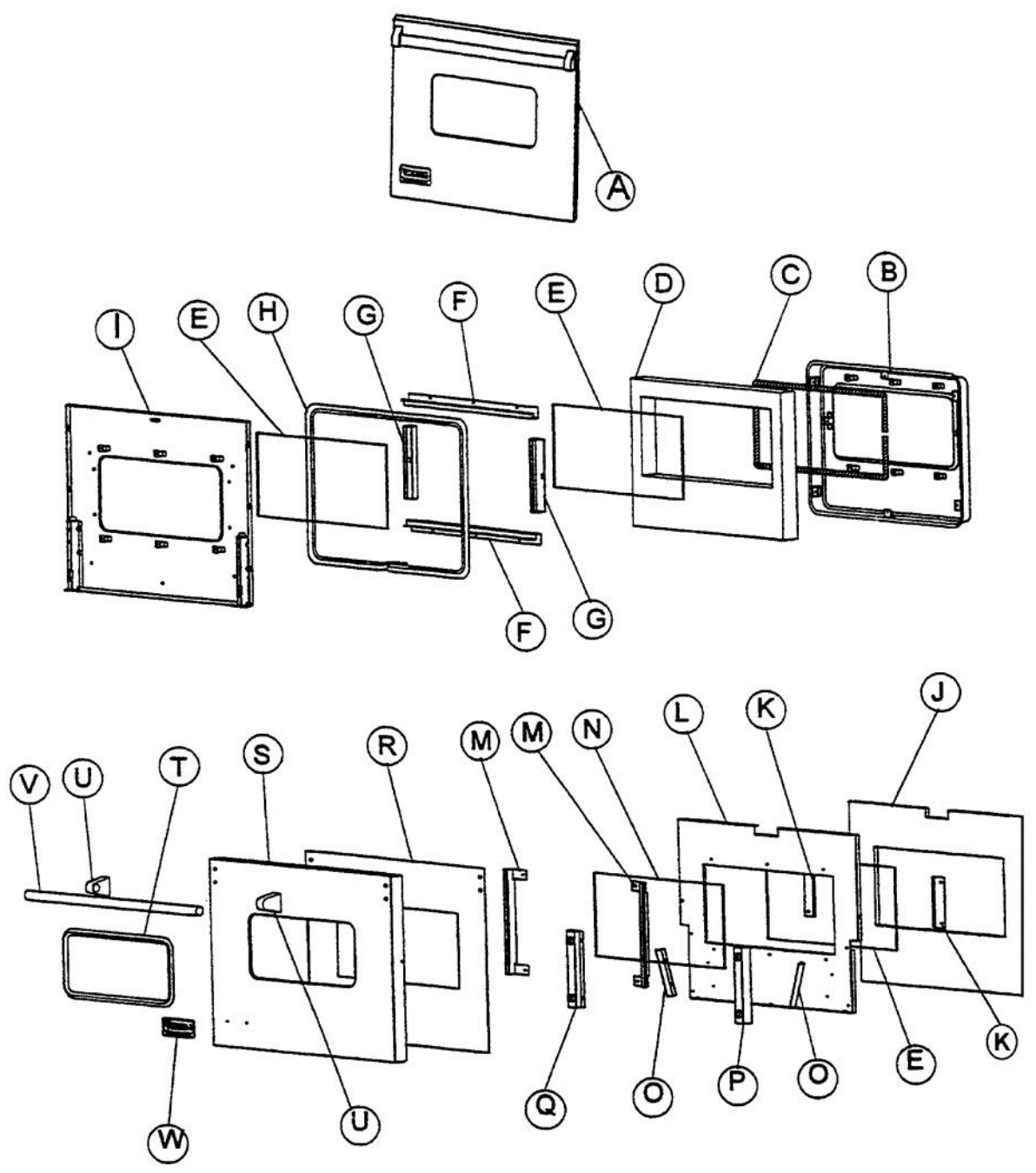


Ref #	Part Number	Qty.	Description
1	PA020027		SUB TO PA020035 - DSI MODULE
2	PE070148		SELF-CLEAN BOARD/TIMER (VDSC)
3	A2004469		COOLING FAN DUCT AIR COVER(VGSC306)
4	PJ030002		AUTO RESET (SELF-CLEAN) VDSC
NI	PA010079		MSV GAS VALVE
5	A2004443		BROILER FLUE SIDE LH (VGSC306)
6	A2004442		BROILER FLUE SIDE RH (VGSC306)
7	A2004450		BRACKET MVS SOLINOID
8	A2004447		COOLING FAN DUCT FRONT (VGSC306)
9	PE050026		COOLING FAN (VDSC)
NI	PJ030006		SWITCH (COOLING FAN)
10	A2005584		O/S OVEN BACK BOTTOM
11	A2005685		48 BACK AIR DEFLECTOR
12	A1005686		48 GAS SLOT PROTECTOR
13	PB010083		SINGLE THERMAL VALVE LH (OVEN)
14	A2004445		BROILER FLUE BACK (VGSC306)
15	A2004464		FLUE HEAT SHIELD (VGSC306)
16	A2005735		BACKGUARD SUPPORT BRACKET
17	A2004468		BACK AIR CHANNEL (VGSC306)
18	A2005594		REAR SUPPORT
19	A2005583		48 REAR COVER
20	A2005578		O/S OVEN BACK 48
21	PE070222		TRANSFORMER - HALOGEN LIGHT
22	PA020048		INVENSYS 0+6 RE-IGNITION SPARK MODULE
	PA020047		INVENSYS 0+4 RE-IGNITION SPARK MODULE
NI	A2002654		ANTI-TIP DEVICE (VDSC)
NI	PE070128		SUPPLY CORD (VGRT/SC/SS/RC)
NI	PE050001		TERMINAL BOARD
NI	PM010029		RELAY (DOUBLE POLE-DOUBLE THROW)TEM



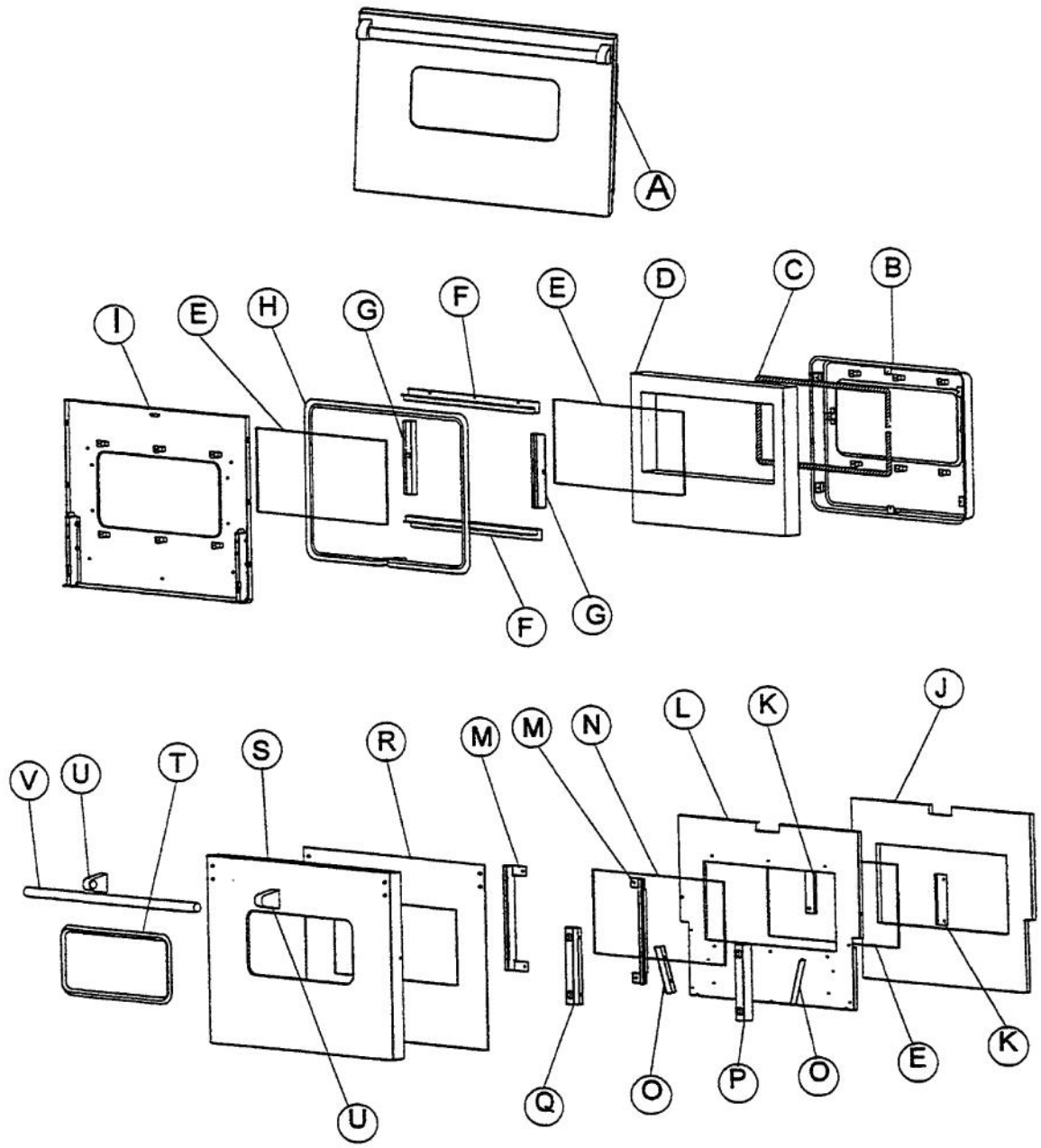
Ref #	Part Number	Qty.	Description
1	B2001241		LWR ACC. PNL - RPLCS B2001973
	C9001241AL		LWR ACC PNL - RPLCS C9001973AL
	C9001241BK		LWR ACC PNL - RPLCS C9001973BK
	C9001241BT		LWR ACC PNL - RPLCS C9001973BT
	C9001241BU		LWR ACC PNL - RPLCS C9001973BU
	C9001241CB		LWR ACC PNL - RPLCS C9001973CB
	C9001241EP		LWR ACC PNL - RPLCS C9001973EP
	C9001241FG		LWR ACC PNL - RPLCS C9001973FG
	C9001241GG		LWR ACC PNL - RPLCS C9001973GG
	C9001241LE		LWR ACC PNL - RPLCS C9001973LE
	C9001241MJ		LWR ACC PNL - RPLCS C9001973MJ
	C9001241SG		LWR ACC PNL - RPLCS C9001973SG
	C9001241VB		LWR ACC PNL - RPLCS C9001973VB
	C9001241WH		LWR ACC PNL - RPLCS C9001973WH
2	B2005683		CENTER TRIM
	C9005683AL		CENTER TRIM XALX
	C9005683BK		CENTER TRIM XBKX
	C9005683BT		CENTER TRIM XBTX
	C9005683BU		CENTER TRIM XBUX
	C9005683CB		CENTER TRIM XCBX
	C9005683EP		CENTER TRIM XEPX
	C9005683FG		CENTER TRIM XFGX
	C9005683GG		CENTER TRIM XGGX
	C9005683LE		CENTER TRIM XLEX
	C9005683MJ		CENTER TRIM XMJX
	C9005683SG		CENTER TRIM XSGX
	C9005683VB		CENTER TRIM XVBX
	C9005683WH		CENTER TRIM XWHX
3	E9105567		BURNER BOX FRONT 48LH
4	E9104404		BURNER BOX FRONT (VGSC306)
5	PB060030		RACK SUPT REPL PB060010
6	PB060046		OVEN RK VDSC48-LH REPL PB060023
7	PB060044		OVEN RK VDSC30/48RH REPL PB060019
8	PC030017		4 LEG ASSY
9	PC030007		LEG PLATE - 3/4 THREADED HOLE
10	A2002482		LEG BRACE (VDSC)
11	A2002500		MAIN BTM (VDSC485)
12	A2002501		BTM INSULATION SHIELD (VDSC48)
13	G9104438		OVEN BOTTOM PAN ASSY (VGSC306)
NI	A2004439	1	OVEN BOTTOM SHIELD (VGSC306)
14	G3205588		OVEN BOTTOM PAN ASSY 48LH
15	G9105574		OVEN FRONT FRAME ASSY 48LH
16	G9102521		FRONT FRAME ASSY RH (VDSC48)
17	PE050057		CONVECTION FAN (VGSC306)
18	G9104482		CONVECTION FAN COVER ASSY (VGSC306)
19	PC020009		HINGE ASSY (BROWN)
20	PC020007		HINGE ASSY (NO COLOR)
21	B2005682		O/S BODY PANEL - LH (VGSC4864GQ)
	C9005682AL		O/S BODY PANEL - LH (VGSC4864GQ) AL
	C9005682BK		O/S BODY PANEL - LH (VGSC4864GQ) BK
	C9005682BT		O/S BODY PANEL - LH (VGSC4864GQ) BT
	C9005682BU		O/S BODY PANEL - LH (VGSC4864GQ) BU
	C9005682CB		O/S BODY PANEL - LH (VGSC4864GQ) CB
	C9005682EP		O/S BODY PANEL - LH (VGSC4864GQ) EP
	C9005682FG		O/S BODY PANEL - LH (VGSC4864GQ) FG
	C9005682GG		O/S BODY PANEL - LH (VGSC4864GQ) GG
	C9005682LE		O/S BODY PANEL - LH (VGSC4864GQ) LE
	C9005682MJ		O/S BODY PANEL - LH (VGSC4864GQ) MJ
	C9005682SG		O/S BODY PANEL - LH (VGSC4864GQ) SG
	C9005682VB		O/S BODY PANEL - LH (VGSC4864GQ) VB

Ref #	Part Number	Qty.	Description
	C9005682VB		O/S BODY PANEL - LH (VGSC4864GQ) VB
	C9005682WH		O/S BODY PANEL - LH (VGSC4864GQ) WH
22	B2005681		O/S BODY PANEL - RH (VGSC4864GQ)
	C9005681AL		O/S BODY PANEL - RH (VGSC4864GQ) AL
	C9005681BK		O/S BODY PANEL - RH (VGSC4864GQ) BK
	C9005681BT		O/S BODY PANEL - RH (VGSC4864GQ) BT
	C9005681BU		O/S BODY PANEL - RH (VGSC4864GQ) BU
	C9005681CB		O/S BODY PANEL - RH (VGSC4864GQ) CB
	C9005681EP		O/S BODY PANEL - RH (VGSC4864GQ) EP
	C9005681FG		O/S BODY PANEL - RH (VGSC4864GQ) FG
	C9005681GG		O/S BODY PANEL - RH (VGSC4864GQ) GG
	C9005681LE		O/S BODY PANEL - RH (VGSC4864GQ) LE
	C9005681MJ		O/S BODY PANEL - RH (VGSC4864GQ) MJ
	C9005681SG		O/S BODY PANEL - RH (VGSC4864GQ) SG
	C9005681VB		O/S BODY PANEL - RH (VGSC4864GQ) VB
	C9005681WH		O/S BODY PANEL - RH (VGSC4864GQ) WH
23	A2005550		OVEN SIDE INSUL RETAINER
24	A2005549		OVEN SIDE INSUL RETAINER R.H.
25	A2004423		DOOR LOCK BOX (VGSC306)
NI	PE050059		HI-LIMIT SWITCH
26	PE050053		DR LATCH REPL PE050020
27	G3001876		IR BURNER ASSY (VGSC/RC) N/S
NI	PB040171		BROIL IGNITION ELECTRODE
28	PB050059		BAKE BURNER - NATURAL GAS
29	PB050065		BAKE BURNER - LH OVEN (UNITS BUILT BEFORE 08-31-2006)
NI	PB050080		VGSC486 LH OVEN BURNER (UNITS BUILT ON OR AFTER 08-31-2006)
NI	A2005665		LH IGNITOR BRACKET (UNITS BUILT BEFORE 08-30-2006)
30	PB040170		BAKE IGNITION ELECTRODE
NI	PB040273		BAKE IGNITION ELECTRODE (USED ON ITEM NO. 29)
31	A2005560		OVEN TOP INSULATION RETAINER 48LH
32	A1005678		CENTER AIR DIVERTER
33	A2005580		TOP INSULATION RETAINER RH
34	A2005561		TOP INSULATION BOX
35	A2004420		FLUE BACK (VGSC306)
36	A2004421		FLUE FRONT (VGSC306)
37	A2004400		FLUE SIDE LH (VGSC306)
38	A2004402		FULE SIDE RH (VGSC306)
39	PE050056		OVEN LIGHT ASSY 12V/5W
NI	PB020111		3/8 SS FLEX TUBING - 27 T6-27
NI	PB020113		3/8 SS FLEX TUBING - 52 T6-52
NI	PB020126		3/8` S.S. FLEX TUBING 15`` (DGCU)
NI	PB020127		3/8` S.S. FLEX TUBING 20`` (DGCU)
NI	PB020135		FLEX TUBING 34
NI	PB020136		44 3/8 S.S. FLEX TUBING T6-44
NI	PB020025		TUBING-GRILL (REVISED) REP PB020021
NI	019503-000		48 CURB BASE KIT



Ref #	Part Number	Qty.	Description
A	G3205671AL		DOOR ASSY XALX (VGSC486 LH)
	G3205671ALBR		DOOR ASSY XALBRX (VGSC486 LH)
	G3205671BK		DOOR ASSY XBKX VGSC486 LH
	G3205671BKBR		DOOR ASSY XBKXBR VGSC486 LH
	G3205671BT		DOOR ASSY XBTX VGSC486 LH
	G3205671BTBR		DOOR ASSY XBTBRX VGSC486 LH
	G3205671BU		DOOR ASSY XBUX VGSC486 LH
	G3205671BUBR		DOOR ASSY XBUBRX VGSC486 LH
	G3205671CB		DOOR ASSY XCBX (VGSC486 LH)
	G3205671CBBR		DOOR ASSY XCBBRX (VGSC486 LH)
	G3205671EP		DOOR ASSY XEPX (VGSC486 LH)
	G3205671EPBR		DOOR ASSY XEPBRX (VGSC486 LH)
	G3205671FG		DOOR ASSY XFGX (VGSC486 LH)
	G3205671FGBR		DOOR ASSY XFGBRX (VGSC486 LH)
	G3205671GG		DOOR ASSY XGGX (VGSC486 LH)
	G3205671GGBR		DOOR ASSY XGGBRX (VGSC486 LH)
	G3205671LE		DOOR ASSY XLEX (VGSC486 LH)
	G3205671LEBR		DOOR ASSY XLEBRX (VGSC486 LH)
	G3205671MJ		DOOR ASSY XMJX (VGSC486 LH)
	G3205671MJBR		DOOR ASSY XMJBRX (VGSC486 LH)
	G3205671SG		DOOR ASSY XSGX (VGSC486 LH)
	G3205671SGBR		DOOR ASSY XSGBRX (VGSC486 LH)
	G3205671SS		DOOR ASSY XSSX (VGSC486 LH)
	G3205671SSBR		DOOR ASSY XSSBRX (VGSC486 LH)
	G3205671VB		DOOR ASSY XVBX (VGSC486 LH)
	G3205671VBBR		DOOR ASSY XVBBRX (VGSC486 LH)
	G3205671WH		DOOR ASSY XWHX (VGSC486 LH)
	G3205671WHBR		DOOR ASSY XWHBRX (VGSC486 LH)
B	H9102507		DOOR PLUG ASSY LH (VDSC48)
C	PB070040		FIBERGLASS ROPE
D	PB070076		WOOL INSULATION 1 X 21 X 3'
E	PE060032		GLASS (HEAT BARRIER) LH DF48DOOR
F	E9108202		WINDOW LINER TOP/BTM 48 LH ONLY
G	E9108203		WINDOW LINER SIDE 48 LH
H	PB070041		SUB TO 000623-000 - DOOR GASKET(3/8DIA.) (VDSC)
I	H9105672		OVEN DR LINER ASSY LH (VGSC48)
J	PB070034		INSULATION-TRS-10 1 X 20 X 3'
K	A2004498		DOOR GLASS STANDOFF (NEW)
M	E9102668		WINDOW BRKT (O/S DOOR GLASS)
N	PE060049		GLASS LH XTEX DF48DOOR
O	A2002497		DOOR GUIDE ANGLE VDSC
P	A2002498		HINGE POCKET COVER RH
Q	A2002499		HINGE POCKET COVER LH
R	J1002506		OVEN DR HEAT SINK LH (VDSC48)
S	B2002504		O/S DOOR PANEL LH XSSX (VDSC48)
	C9002504AL		O/S DOOR PANEL-LH XALX (VDSC48)
	C9002504BK		O/S DOOR PANEL-LH XBKX (VDSC48)
	C9002504BT		O/S DOOR PANEL-LH XBTX (VDSC48)
	C9002504BU		O/S DOOR PANEL-LH XBUX (VDSC48)
	C9002504CB		O/S DOOR PANEL-LH XCBX (VDSC48)
	C9002504EP		O/S DOOR PANEL-LH XEPX (VDSC48)
	C9002504FG		O/S DOOR PANEL-LH XFGX (VDSC48)
	C9002504GG		O/S DOOR PANEL-LH XGGX (VDSC48)
	C9002504LE		O/S DOOR PANEL-LH XLEX (VDSC48)
	C9002504MJ		O/S DOOR PANEL-LH XMJX (VDSC48)
	C9002504SG		O/S DOOR PANEL-SG XSGX (VDSC48)
	C9002504VB		O/S DOOR PANEL-LHXVBX (VDSC48)
	C9002504WH		O/S DOOR PANEL-LH XWHX (VDSC48)
T	PE060046		J-MOLD LH SS (DF48 DOOR)
	PE060048		J-MOLD LH XBRX (DF48 DOOR)

Ref #	Part Number	Qty.	Description
U	PE060048		J-MOLD LH XBRX (DF48 DOOR)
	PE030001		BRACKET, DOOR, HANDLE
	PE030001PVD		END CAP DOOR HANDLE XBR
V	PE030008		DOOR HANDLE - LH 48VGRC
	PE030014		HANDLE - BR
W	PE010030		LOGO, 6, PRO, BK
	PE010031		LOGO 6 (VGRC) XBK/WHX
	PE010068		LOGO, 6, PRO, BK/BR
	PE010076		LOGO 6 (VGRC) XBR/WHX
NI	PD020032		SRW-8(A)X3/8PH.WFR HD 7/16DIAXNICL



Ref #	Part Number	Qty.	Description
A	G3202549AL		DOOR SUB-ASSY- RH XALX (VDSC48)
	G3202549ALBR		DOOR SUB-ASSY- RH XALXXBRX (VDSC48)
	G3202549BK		DOOR SUB-ASSY- RH XBKX (VDSC48)
	G3202549BKBR		DOOR SUB-ASSY- RH XBKXXBRX (VDSC48)
	G3202549BT		DOOR SUB-ASSY-RH XBTX (VDSC48)
	G3202549BTBR		DOOR SUB-ASSY- RH XBTXXBRX (VDSC48)
	G3202549BU		DOOR SUB-ASSY- RH XBUX (VDSC48)
	G3202549BUBR		DOOR SUB-ASSY- RH XBUXXXBRX (VDSC48)
	G3202549CB		DOOR SUB-ASSY-RH XCBX (VDSC48)
	G3202549CBBR		DOOR SUB-ASSY- RH XCBXXBRX (VDSC48)
	G3202549EP		DOOR SUB-ASSY- RH XEPX (VDSC48)
	G3202549EPBR		DOOR SUB-ASSY-RH XEPXXBRX (VDSC48)
	G3202549FG		DOOR SUB-ASSY- RH XFGX (VDSC48)
	G3202549FGBR		DOOR SUB-ASSY- RH XFGXXBRX (VDSC48)
	G3202549GG		DOOR SUB-ASSY-RH XGGX (VDSC48)
	G3202549GGBR		DOOR SUB-ASSY- RH XGGXBRX (VDSC48)
	G3202549LE		DOOR SUB-ASSY-RH XLEX (VDSC48)
	G3202549LEBR		DOOR SUB-ASSY- RH XLEXXBRX (VDSC48)
	G3202549MJ		DOOR SUB-ASSY-RH XMJX (VDSC48)
	G3202549MJBR		DOOR SUB-ASSY-RH XMJXXBRX (VDSC48)
	G3202549SG		DOOR SUB-ASSY- RH XSGX (VDSC48)
	G3202549SGBR		DOOR SUB-ASSY- RH XSGXXBRX (VDSC48)
	G3202549SS		DOOR SUB-ASSY- RH XSSX (VDSC48)
	G3202549SSBR		DOOR SUB-ASSY- RH XSSXXBRX (VDSC48)
	G3202549VB		DOOR SUB-ASSY- RH XVBX (VDSC48)
	G3202549VBBR		DOOR SUB-ASSY- RH XVBXXBRX (VDSC48)
	G3202549WH		DOOR SUB-ASSY- RH XWHX (VDSC48)
	G3202549WHBR		DOOR SUB-ASSY- RH XWHXXBRX (VDSC48)
B	G9102745		DR PG ASSY VDSC30/48 RE H9102175
C	PB070040		FIBERGLASS ROPE
D	D2003026		DOOR PLUG INSULATION (VDSC365)
E	PE060064		WINDOW PACK, SELF CLEANING OVEN 30
F	E9102178		WINDOW LINER-TOP/BTM (VDSC)
G	E9102179		WINDOW LINER-SIDE (VDSC)
H	PB070041		SUB TO 000623-000 - DOOR GASKET(3/8DIA.) (VDSC)
I	G9102747		DR LINER ASY(VDSC30/48)REP H9102173
J	PB070034		INSULATION-TRS-10 1 X 20 X 3'
K	A2002189		DOOR GLASS STANDOFF (VDSC)
L	A2002169		DOOR INSULATION RETAINER (VDSC30)
M	A2002367		DOOR GLASS BRKT
N	PE060030		GLASS-OUTER DOOR BK SCREENED,TEMP
O	A2002497		DOOR GUIDE ANGLE VDSC
P	A2002498		HINGE POCKET COVER RH
Q	A2002499		HINGE POCKET COVER LH
R	J1002594		OVEN DR HEAT SINK (VDSC30)
S	B2002528		O/S DOOR PANEL RH XSSX (VDSC48)
	C9002528AL		O/S DOOR PANEL-RH XALX (VDSC48)
	C9002528BK		O/S DOOR PANEL-RH XBKX (VDSC48)
	C9002528BT		O/S DOOR PANEL-RH XBTX (VDSC48)
	C9002528BU		O/S DOOR PANEL-RH XBUX (VDSC48)
	C9002528CB		O/S DOOR PANEL-RH XCBX (VDSC48)
	C9002528EP		O/S DOOR PANEL-RH XEPX (VDSC48)
	C9002528FG		O/S DOOR PANEL-RH XFGX (VDSC48)
	C9002528GG		O/S DOOR PANEL-RH XGGX (VDSC48)
	C9002528LE		O/S DOOR PANEL-RH XLEX (VDSC48)
	C9002528MJ		O/S DOOR PANEL-RH XMJX (VDSC48)
	C9002528PL		O/S DOOR PANEL-RH XPLX (VDSC48)
	C9002528SG		O/S DOOR PANEL-RH XSGX (VDSC48)
	C9002528VB		O/S DOOR PANEL-RH XVBX (VDSC48)
	C9002528WH		O/S DOOR PANEL-RH XWHX (VDSC48)

Ref #	Part Number	Qty.	Description
T	C9002528WH		O/S DOOR PANEL-RH XWHX (VDSC48)
	PE060031		J-MOLD (LARGE WINDOW)
	PE060045		J-MOLD (LARGE WINDOW) XBRX
U	PE030001		BRACKET, DOOR, HANDLE
	PE030001PVD		END CAP DOOR HANDLE XBR
V	PE030005		DOOR HANDLE - VGSC30/RC60/RC48RH
	PE030012PVD		DOOR HANDLE - RH - (30/48) PVD
NI	PD020032		SRW-8(A)X3/8PH.WFR HD 7/16DIAXNICL

*No Image
Available*

Ref #	Part Number	Qty.	Description
NI	PE070389	1	VGSC486 REAR MAIN HARNESS
NI	PE070390	1	TIMER BOARD HARNESS
NI	PE070391	1	RELAY HARNESS
NI	PE070392	1	TRANSFORMER HARNESS
NI	PE070393	1	DOOR LOCK HARNESS
NI	PE070394	1	VGSC486-4GQ TOP HARNESS
NI	PE070398	1	VGSC486-4GQ IGNITOR SWITCH HARNESS
NI	PE070406	1	VGSC486-4GQ/6G MODULE HARNESS
NI	PE070409	1	GRIDDLE HARNESS
NI	G4001589	1	SPARK IGNITOR WIRE 46
NI	G4005484	1	SPARK IGNITOR WIRE - 34
NI	G4001587	1	SPARK MODULE-TOP BRNR SPARKER (25)
NI	PE070666	1	IGNITOR WIRE KIT - VGSC486-4GQ
NI	G40013897	1	PIGGYBACK JUMPER WIRE

*No Image
Available*

Ref #	Part Number	Qty.	Description
NI	PE070389	1	VGSC486 REAR MAIN HARNESS
NI	PE070390	1	TIMER BOARD HARNESS
NI	PE070391	1	RELAY HARNESS
NI	PE070392	1	TRANSFORMER HARNESS
NI	PE070393	1	DOOR LOCK HARNESS
NI	PE070396	1	VGSC486-6G TOP HARNESS
NI	PE070400	1	VGSC486-6G IGNITOR SWITCH HARNESS
NI	PE070406	1	VGSC486-4GQ/6G MODULE HARNESS
NI	PE070409	1	GRIDDLE HARNESS
NI	G4001656	5	SPARK MODULE GROUND WIRE
NI	G4001688	1	SPARK MODULE-TOP BRNR SPARKER (52)
NI	G4001589	2	SPARK IGNITOR WIRE 46
NI	G4005484	1	SPARK IGNITOR WIRE - 34
NI	G4001587	1	SPARK MODULE-TOP BRNR SPARKER (25)
NI	G4000935	1	BAKE/BROIL JUMPER WIRE - VGR/VCN
NI	PE070664	1	IGNITOR WIRE KIT - VGSC486-6G
NI	G40013897	1	PIGGYBACK JUMPER WIRE

*No Image
Available*

Ref #	Part Number	Qty.	Description
NI	PE070389	1	VGSC486 REAR MAIN HARNESS
NI	PE070390	1	TIMER BOARD HARNESS
NI	PE070391	1	RELAY HARNESS
NI	PE070392	1	TRANSFORMER HARNESS
NI	PE070393	1	DOOR LOCK HARNESS
NI	PE070397	1	VGSC486-6Q TOP HARNESS
NI	PE070401	1	VGSC486-6Q IGNITOR SWITCH HARNESS
NI	PE070408	1	VGSC486-6Q MODULE HARNESS
NI	G4001656	3	SPARK MODULE GROUND WIRE
NI	G4001589	2	SPARK IGNITOR WIRE 46
NI	G4007980	1	SPARK MODULE-TOP BURNER WIRE,40``
NI	G4005484	1	SPARK IGNITOR WIRE - 34
NI	G4001587	1	SPARK MODULE-TOP BRNR SPARKER (25)
NI	G4000935	1	BAKE/BROIL JUMPER WIRE - VGR/VCM
NI	PE070665	1	IGNITOR WIRE KIT - VGSC486-6Q
NI	G40013897	1	PIGGYBACK JUMPER WIRE
NI	G4001688	2	SPARK MODULE-TOP BRNR SPARKER (52)

*No Image
Available*

Ref #	Part Number	Qty.	Description
NI	PE070389	1	VGSC486 REAR MAIN HARNESS
NI	PE070390	1	TIMER BOARD HARNESS
NI	PE070391	1	RELAY HARNESS
NI	PE070392	1	TRANSFORMER HARNESS
NI	PE070393	1	DOOR LOCK HARNESS
NI	PE070395	1	VGSC486-4G TOP HARNESS
NI	PE070399	1	VGSC486-4G IGNITOR SWITCH HARNESS
NI	PE070407	1	VGSC486-4G MODULE HARNESS
NI	PE070409	2	GRIDDLE HARNESS
NI	G4001656	3	SPARK MODULE GROUND WIRE
NI	G4001688	1	SPARK MODULE-TOP BRNR SPARKER (52)
NI	G4001589	2	SPARK IGNITOR WIRE 46
NI	G4005484	1	SPARK IGNITOR WIRE - 34
NI	G4001587	1	SPARK MODULE-TOP BRNR SPARKER (25)
NI	G4000935	1	BAKE/BROIL JUMPER WIRE - VGR/VCN
NI	PE070667	1	IGNITOR WIRE KIT - VGSC486-4G
NI	G40013897	1	PIGGYBACK JUMPER WIRE