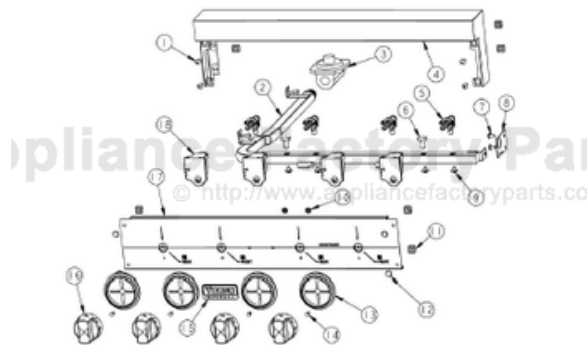


This Owner's Manual is provided and hosted by [Appliance Factory Parts](#).



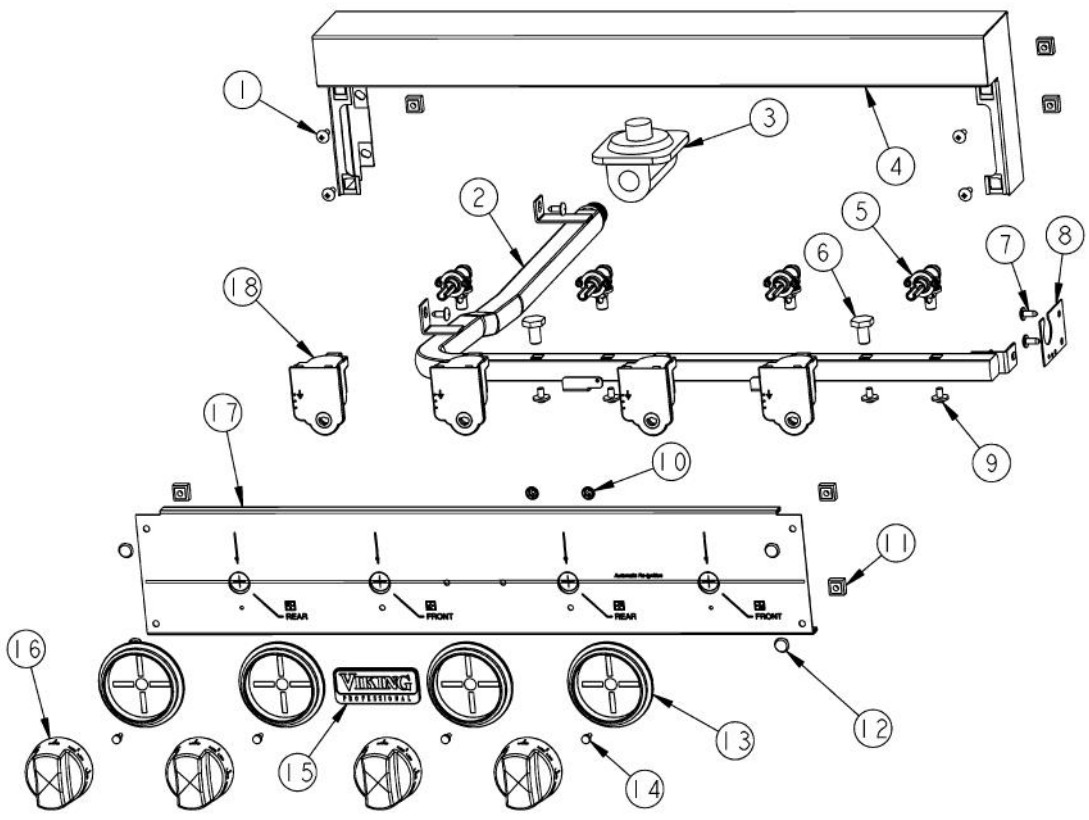
VIKING VGRT242 Owner's Manual

[Shop genuine replacement parts for VIKING VGRT242](#)

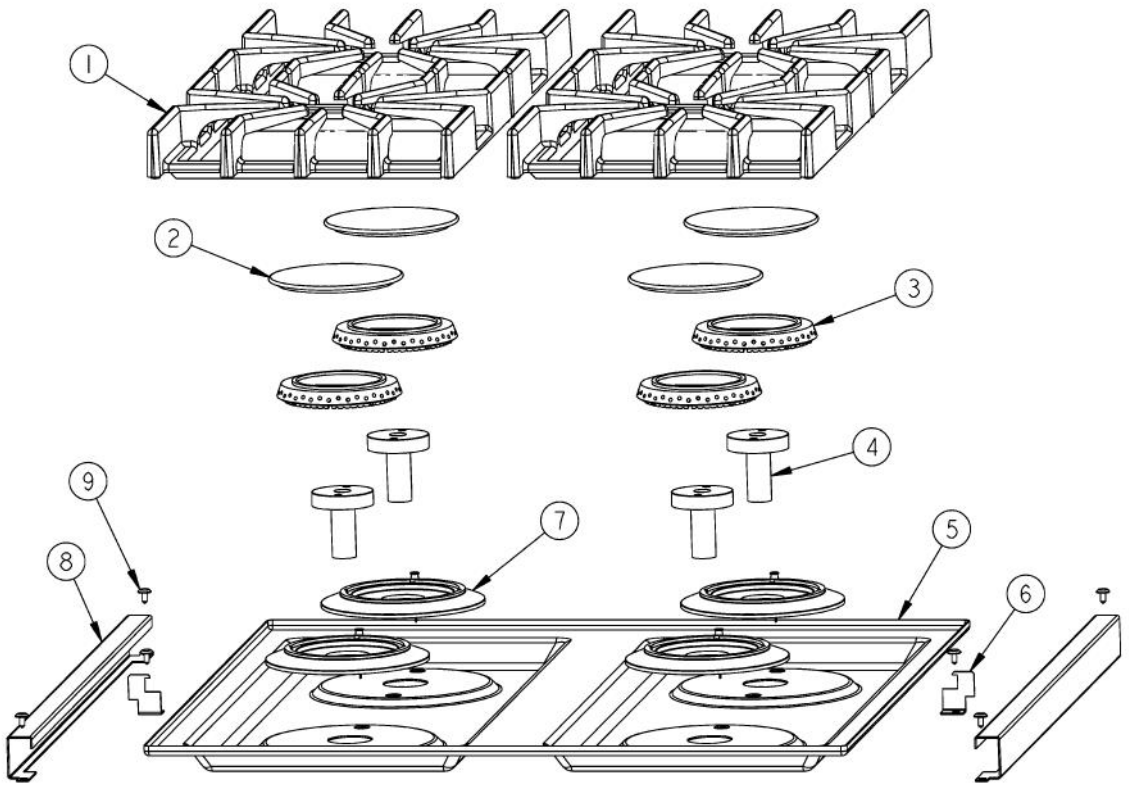


[Find Your VIKING Range Hoods Parts - Select From 411 Models](#)

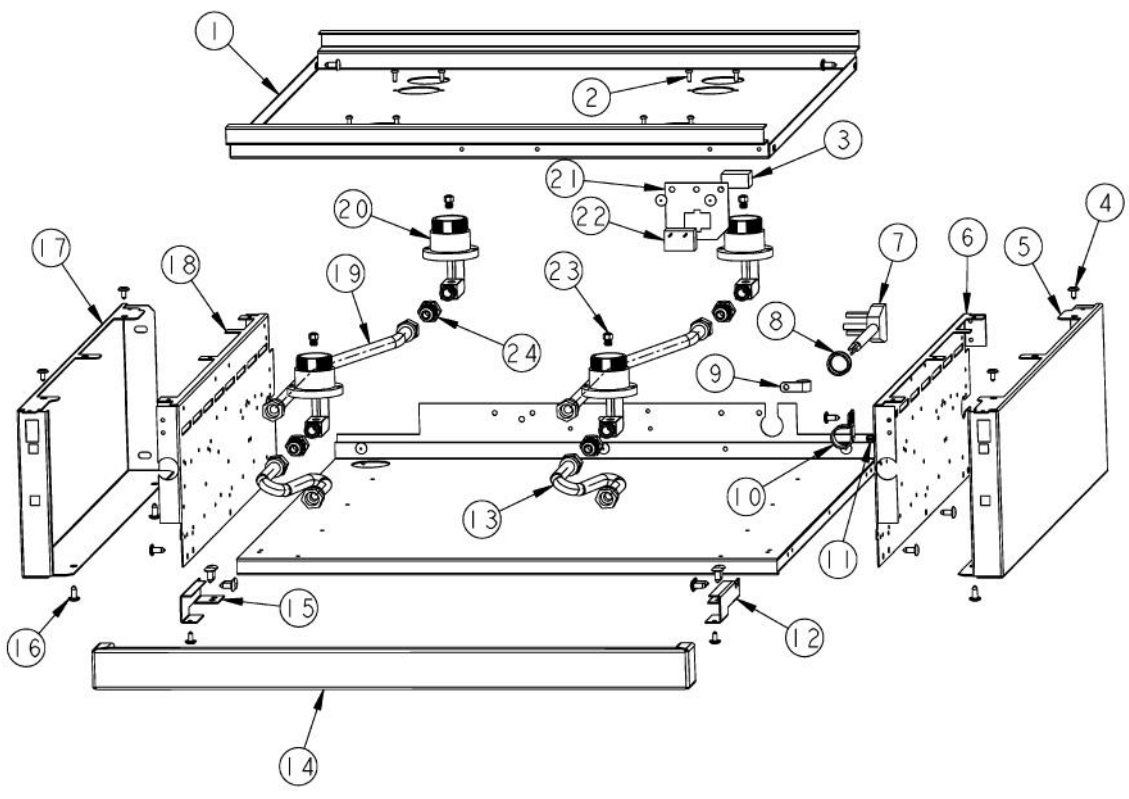
----- Manual continues below -----



Ref #	Part Number	Qty.	Description
1	PD010003		10-24 X 1/2 PH.TR.HD.SERD.M.S.
2	002159-000		UNIVERSAL 24 MANIFOLD (NATURAL GAS)
	PA050112		UNIVERSAL 24 MANIFOLD (LP)
3	PA070001		PRESSURE REGULATOR (NAT.) (NATURAL GAS)
	000714-000		LP REGULATOR (LP)
4	G30015345		LANDING LEDGE
5	PA010158		SUB TO 003517-000 - SEALED BURNER FLARE VALVE (NATURAL GAS)
	PA010159		SUB TO 003536-000 - RANGE GRILL VALVE (LP)
6	PA010012		ROPER PLUG
7	PD020002		10 X 1/2 PH.TR.HD.SMS.
8	A1001138		MANIFOLD BRKT
9	PD010012		VALVE BOLT 1/4-20 UNC-2B 5/16 M.S.
10	PD030006		CAPPED WASHER PAL NUT
11	PD030005		SELF RETAINING NUT
12	PD020033		SRW-NO.10-24X1/2T(23)PH.WFR HD (NKL)
13	PB010208		BEZEL, CHROME PLATE
14	PD020067		NO.6 X 3/8 PAN PHIL. TEK SS
15	PE010142		3 LOGO XBKXXCHROME
16	PB010206		VGSC,VGRC,VGRT TOP BURNER KNOB(BK)
17	B92015343		VGRT2424B CONTROL PANEL
18	PA020058		IRIS SINGLE SPARK MODULE

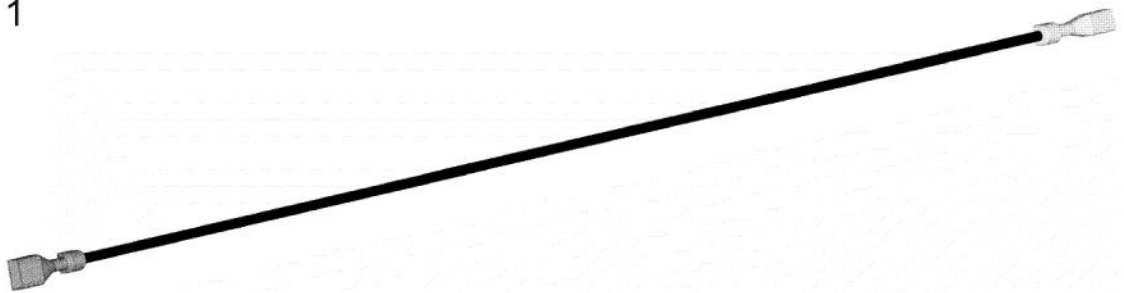


Ref #	Part Number	Qty.	Description
1	PA060054		SEALED GRATE XBKX
2	PA080083		D BURNER CAP XMATTE BLACKX
3	PB050063		BURNER HEAD (BEFORE 12/18/07)
	001386-000		BURNER HEAD (AFTER 12/18/07)
4	PA010100		VENTURI D (VDSC3074B) (BEFORE 12/18/07)
5	E91014908BK		SEALED BURNER TOP
6	A2007858		SIDE TRIM BRKT
7	PB050081		BURNER BASE ASSEMBLY (INCLUDES IGNITER) - BEFORE 12/18/07
	003322-040		SEALED BURNER BASE, TURNED FINISH (INCLUDES IGNITER) - AFTER 12/18/07
8	B2007851		SIDE TRIM
9	PD020032		SRW-8(A)X3/8PH.WFR HD 7/16DIAXNICL
NI	003606-000		NO.6-32 SOCKET HEAD SCREW (AFTER 12/18/07)

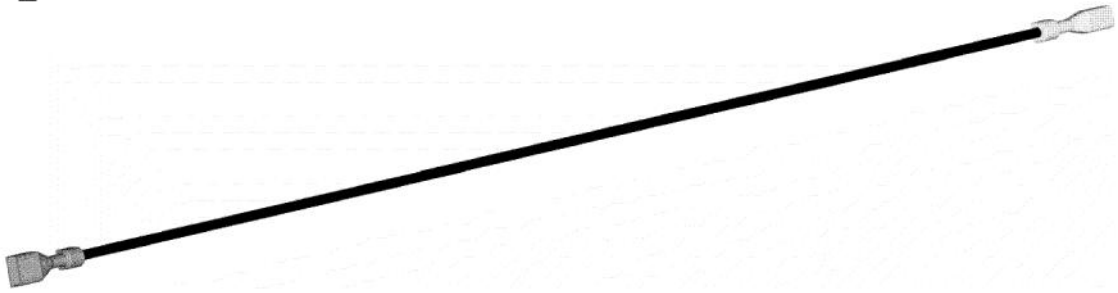


Ref #	Part Number	Qty.	Description
1	A20015344		BURNER SUPPORT - VGRT24
2	PD020076		6-32 X 3/8 PHILL PAN MS
3	PE070071		DISCONNECT BLOCK XALX 770027-1
4	PD020032		SRW-8(A)X3/8PH.WFR HD 7/16DIAXNICL
5	002152-000		SIDE PANEL, RH
6	A2006747		BURNER BOX SIDE RH (VDSC3074B)
7	PE070128		SUPPLY CORD (VGRT/SC/SS/RC)
8	PD040005		SNAP BUSHING - 7/8
9	PD030148		CLAMP CABLE ALUMINUM .500 DIA. (AL-8 CLAMP)
10	PD030109		INSULATED CLAMP
11	PD020010		10 X 3/8 GREEN GROUNDING SCREW
12	A20011467		FALSE DRIP TRAY HANDLE BRKT. RH
13	PB020192		10 FLEX TUBING W/CONNECTORS
14	G30010694		DRIP TRAY HANDLE ASSY 24 XSSX
15	A20011466		FALSE DRIP TRAY HANDLE BRKT. LH
16	PD020002		10 X 1/2 PH.TR.HD.SMS.
17	002153-000		SIDE PANEL, LH
18	A2006748		BURNER BOX SIDE LH (VDSC3074B)
19	PB020193		16 FLEX TUBING W/CONNECTORS
20	PA080075		BODY BURNER D (VDSC3074BSS) (BEFORE 12/18/07)
	001394-042		15000 BTU NAT JETHOLDER (AFTER 12/18/07)
	001394-043		13500 BTU LP JETHOLDER (AFTER 12/18/07)
21	A1008487		SERVICE DISCONNECT BRACKET
22	00573-000		POWER JUMPER WIRE
23	PB040194		SEALED RANGE ORIFICE (NAT) (BEFORE 12/18/07)
	001396-000		NATURAL GAS ORIFICE (AFTER 12/18/07)
	PB040217		L.P. ORIFICE (BEFORE 12/18/07)
	005990-000		1.10 MM LP BTU ORIFICE (AFTER 12/18/07)
24	PA050086		5/8 MALE FLARE FITTING

1

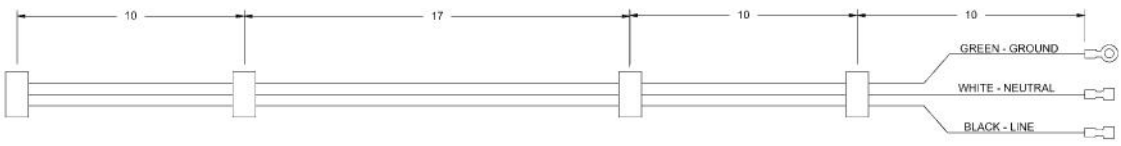


2



Ref #	Part Number	Qty.	Description
1	000647-000		IRIS IGNITOR WIRE, FRONT BURNER
2	000648-000		IRIS IGNITOR WIRE, BACK BURNER

1



Ref #	Part Number	Qty.	Description
1	PE070889		IRIS HARNESS - 30