

This Owner's Manual is provided and hosted by [Appliance Factory Parts](#).



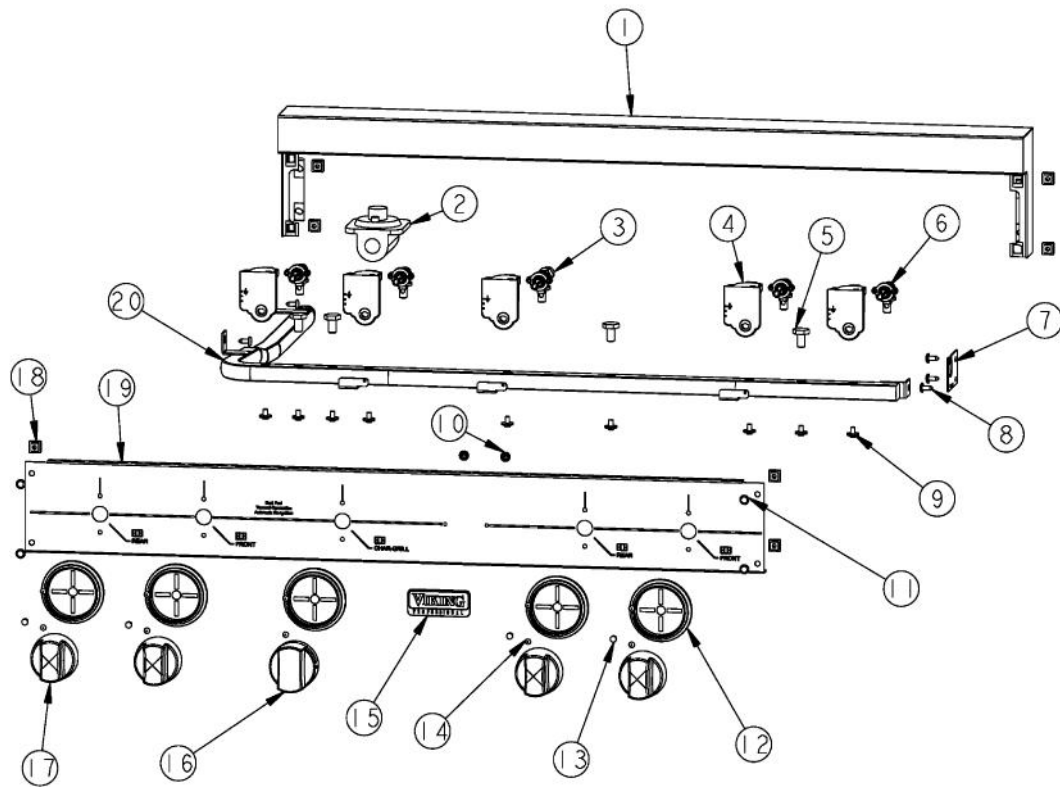
VIKING VGRT362-4Q AFTER_07-09-07 Owner's Manual

[Shop genuine replacement parts for VIKING
VGRT362-4Q AFTER_07-09-07](#)

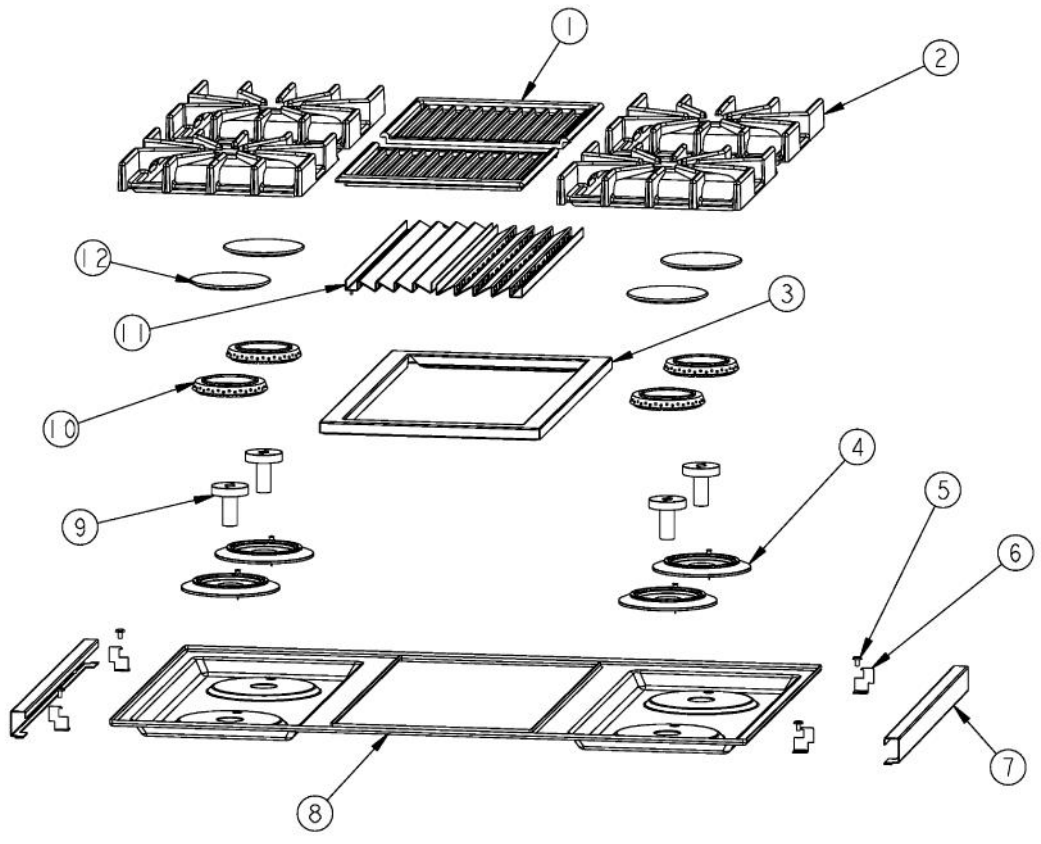


[Find Your VIKING Range Hoods Parts - Select From 411 Models](#)

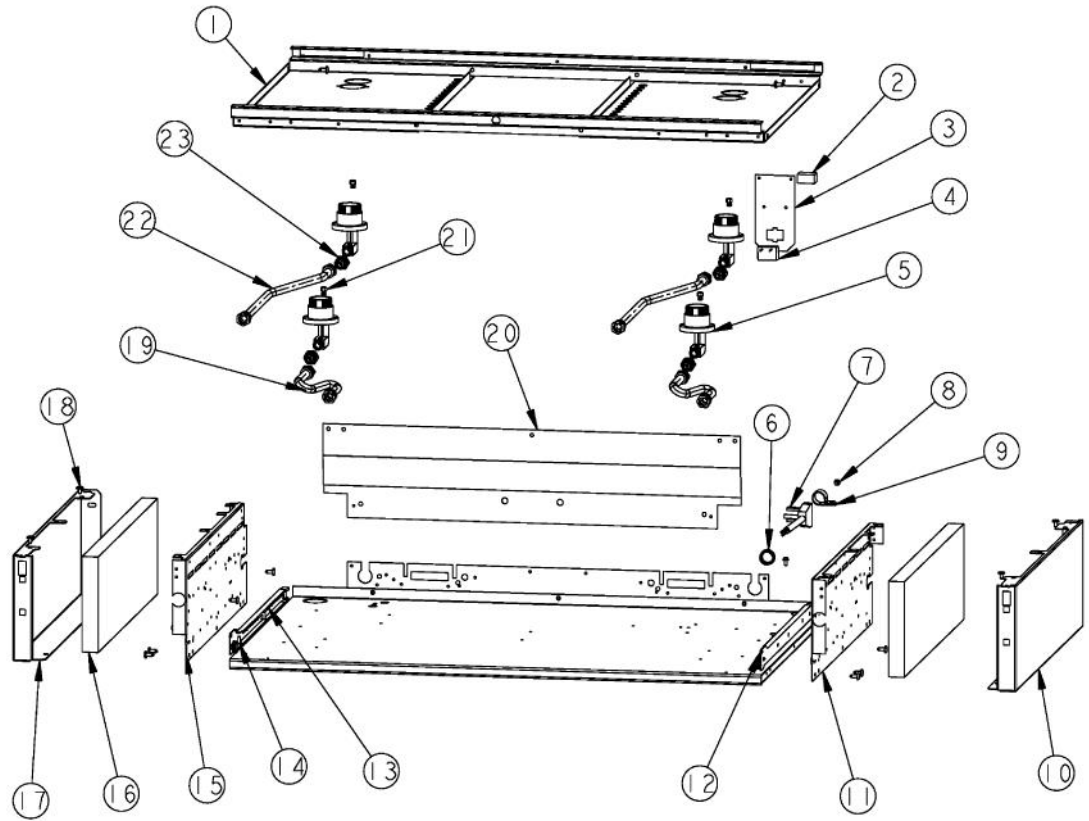
----- Manual continues below -----



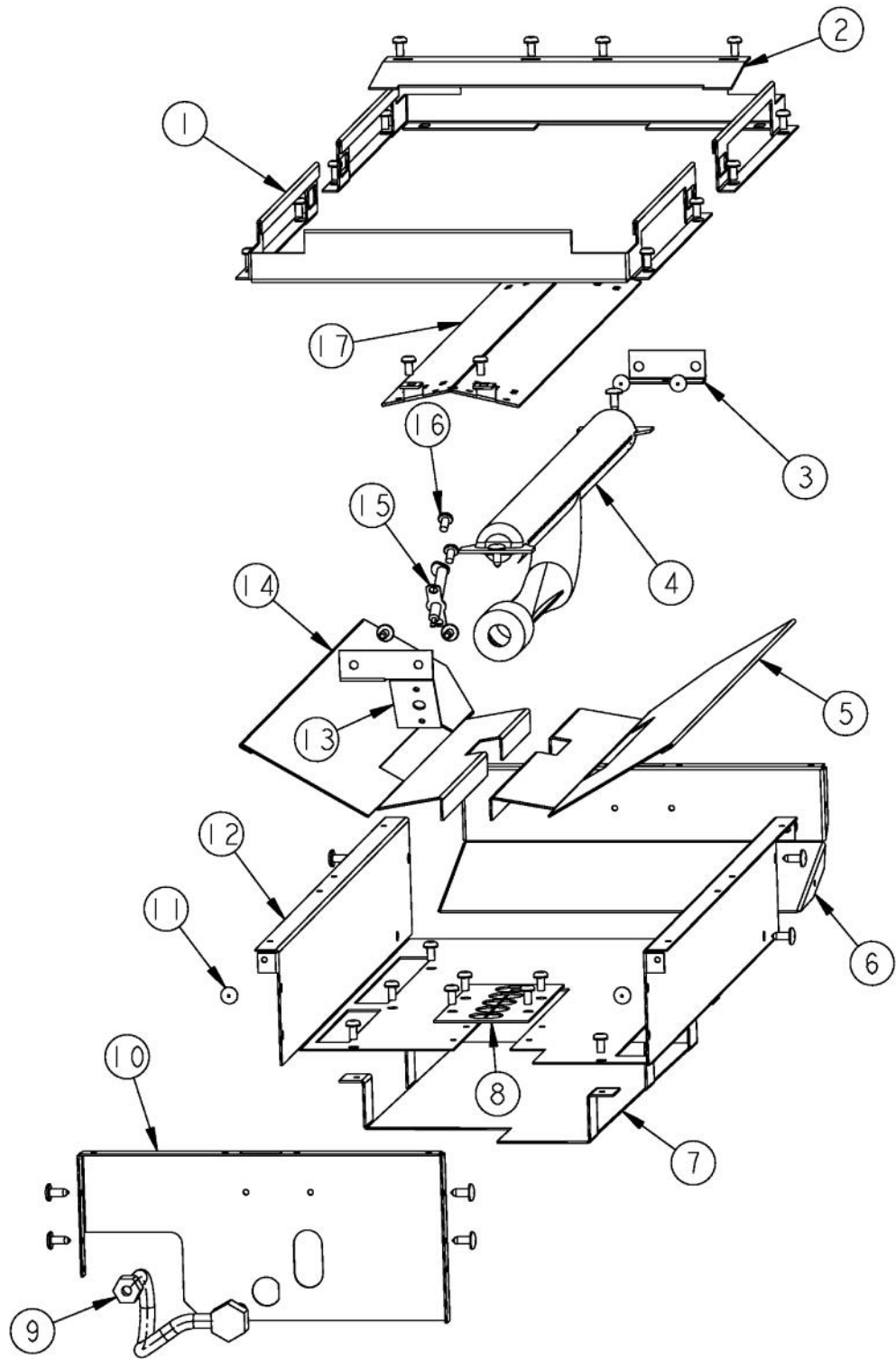
Ref #	Part Number	Qty.	Description
1	G3009151		36 SEALED LANDING LEDGE ASSY
2	PA070001		PRESSURE REGULATOR (NAT.)
3	PA010159		SUB TO 003536-000 - RANGE GRILL VALVE
4	PA020058		IRIS SINGLE SPARK MODULE
5	PA010012		ROPER PLUG
6	PA010158		SUB TO 003517-000 - SEALED BURNER FLARE VALVE
7	A1001138		MANIFOLD BRKT
8	PD020002		10 X 1/2 PH.TR.HD.SMS.
9	PD010012		VALVE BOLT 1/4-20 UNC-2B 5/16 M.S.
10	PD030006		CAPPED WASHER PAL NUT
11	PD020032		SRW-8(A)X3/8PH.WFR HD 7/16DIAXNICL
12	PB010208		BEZEL, CHROME PLATE
	PB010209BR		BEZEL - BR
13	PD020067		NO.6 X 3/8 PAN PHIL. TEK SS
14	PD020006		NO.6-32 X 1/4 PH.PAN HD. T(F)
15	PE010142		3 LOGO XBKXXCHROME
	PE010143		3 LOGO BK/BR
	PE010144		3 LOGO XWHXCHROME
	PE010145		LOGO - WH / BR
16	PA010122BK		TOP GRILL KNOB BK
	PA010123WH		TOP GRILL KNOB WH
17	PB010206BK		TOP BURNER KNOB BK
	PB010207WH		TOP BURNER KNOB WH
18	PD030005		SELF RETAINING NUT
19	B9202384		CTRL PAN- (VGRT360-4Q)XSLK SCRX
	C9292384		CONTROL PANEL - VB
	C9292384		CONTROL PANEL - VB
	C9292384		CONTROL PANEL - VB
	C9292384		CONTROL PANEL - VB
	C9292384		CONTROL PANEL - VB
	C9292384		CONTROL PANEL - VB
	C9292384		CONTROL PANEL - VB
	C9292384		CONTROL PANEL - VB
	C9292384		CONTROL PANEL - VB
	C9292384		CONTROL PANEL - VB
	C9292384		CONTROL PANEL - VB
	C9292384		CONTROL PANEL - VB
	C9292384		CONTROL PANEL - VB
	C9292384		CONTROL PANEL - VB
20	PA050114		MANIFOLD
			10-24 SELF RETAINING NUT



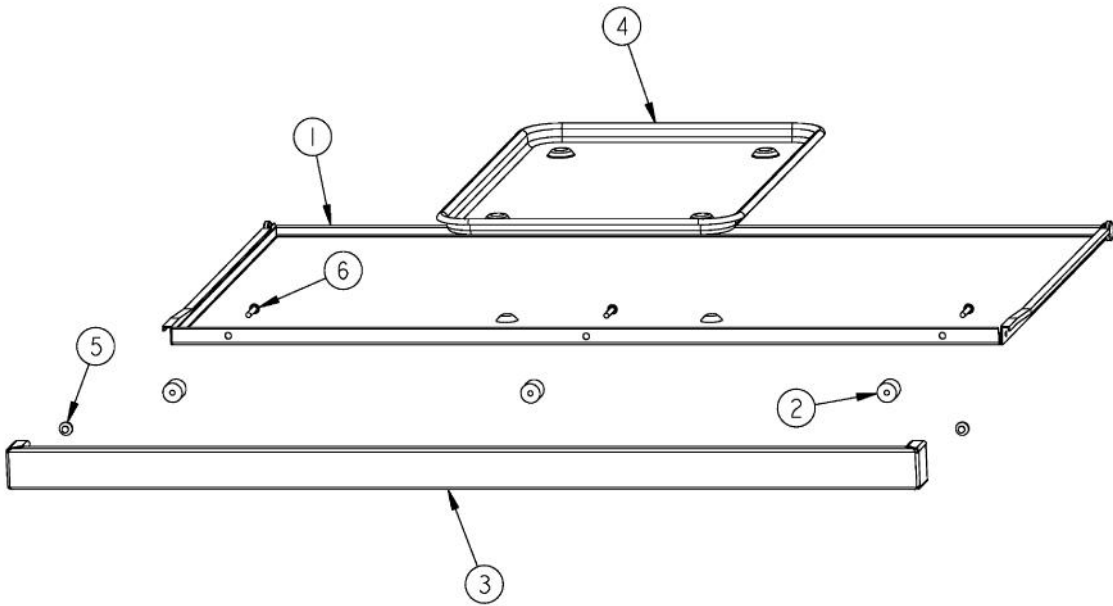
Ref #	Part Number	Qty.	Description
1	PA060058		GRILL GRATE - MATT XBKX RE PA060028
2	PA060054		SEALED GRATE XBKX
3	G9109808BK		GRILL GRATE SUPPORT - BK
	G9109808WH		GRILL SUPPORT ASSY XWHX
4	PB050081		BURNER BASE ASSEMBLY
	003322-040		(INCLUDES IGNITER) - BEFORE 12/18/07
			SEALED BURNER BASE, TURNED FINISH
			(INCLUDES IGNITER) - AFTER 12/18/07
5	PD020033		SRW-NO.10-24X1/2T(23)PH.WFR HD (NKL)
6	A2007858		SIDE TRIM BRKT
7	B2007851		SIDE TRIM
	C9307851BR		SIDE TRIM XBRX
8	E9108438BK		MAIN TOP (VGRT4G/Q) XBKX
	E9108438WH		MAIN TOP (VGRT4G/Q) XWHX
9	PA010100		VENTURI D (VDSC3074B)
			(BEFORE 12/18/07)
10	PB050063		BURNER HEAD
	001386-000		(BEFORE 12/18/07)
			BURNER HEAD
			(AFTER 12/18/07)
11	E9101130BK		GRILL SMOKE GENERATOR
12	PA080083		D BURNER CAP XMATTE BLACKX
13	003606-000		NO.6-32 SOCKET HEAD SCREW



Ref #	Part Number	Qty.	Description
1	A2007865		SEALED BURNER SUPPORT
2	PE070071		DISCONNECT BLOCK XALX 770027-1
3	A1001146		PLUG BRACKET
4	000573-000		POWER JUMPER WIRE
5	PA080075		BODY BURNER D (VDSC3074BSS) (BEFORE 12/18/07)
	001394-042		15000 BTU NAT JETHOLDER (AFTER 12/18/07)
	001394-043		13500 BTU LP JETHOLDER (AFTER 12/18/07)
6	PD040005		SNAP BUSHING - 7/8
7	G4007440		SUPPLY CORD ASSY
8	PD020010		10 X 3/8 GREEN GROUNDING SCREW
9	PD030109		INSULATED CLAMP
10	002152-000		SIDE PANEL, RH
11	A2006747		BURNER BOX SIDE RH (VDSC3074B)
12	PK000008		DRIP TRAY GUIDE - RH
13	PK000007		DRIP TRAY GUIDE - LH (VGRT)
14	PC040010		POP RIVET
15	A2006748		BURNER BOX SIDE LH (VDSC3074B)
16	PB070034		INSULATION-TRS-10 1 X 20 X 3`
17	002153-000		SIDE PANEL, LH
18	PD020032		SRW-8(A)X3/8PH.WFR HD 7/16DIAXNICL
19	PB020192		10 FLEX TUBING W/CONNECTORS
20	A2007860		REAR SHIELD IC367
21	PB040194		SEALED RANGE ORIFICE (NAT) (BEFORE 12/18/07)
21	001396-040		15K NG ORIFICE (AFTER 12/18/07)
21	PB040217		L.P. ORIFICE (BEFORE 12/18/07)
21	001396-044		13.5K LP ORIFICE (AFTER 12/18/07)
22	PB020193		16 FLEX TUBING W/CONNECTORS
23	PA050086		5/8 MALE FLARE FITTING

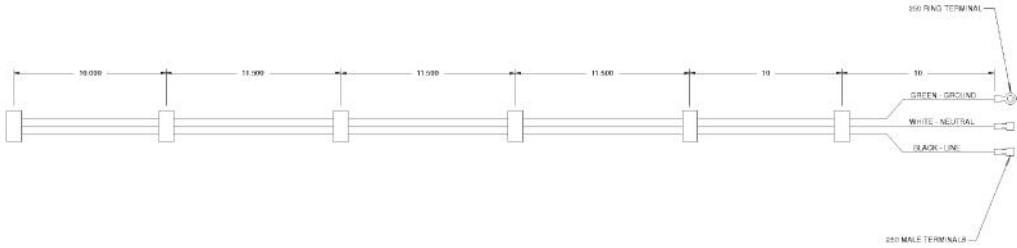


Ref #	Part Number	Qty.	Description
1	A2007871		SHIELD GRATE BRACKET
2	A20010162		SHIELD BRACE
3	A2001132		REAR GRILL BURNER BRKT (VGRT)
4	PB050077		GRILL BURNER
5	B20010163		HEAT DEFLECTOR
6	A2001855		GRILL BACK - (VGRC605)
7	A2001863		GRILL BTM SHIELD (VGRC605)
8	A1007861		GRIDDLE VENTURI COVER IC36
9	PB020025		TUBING-GRILL (REVISED) REP PB020021
10	A2001631		GRILL BOX FRONT (VGRC)
11	PD020002		10 X 1/2 PH.TR.HD.SMS.
12	A2007863		GRILL BOX
13	A2001633		GRILL FRONT SPARKER BRKT (VGRC)
14	B2009846		HEAT DEFLECTOR
15	PA020028		SPARK IGNITER
16	PD020004		10X3/8PH.HD.TYPE 25 REPL PD040125
17	G30012657		FLAME SHIELD ASSEMBLY

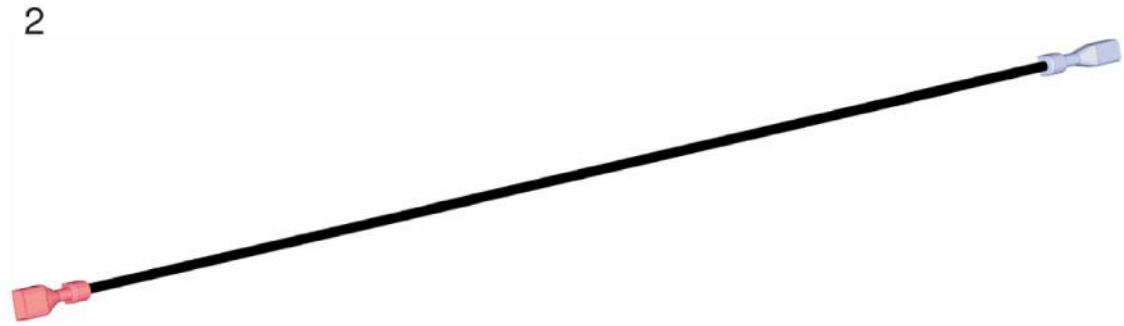
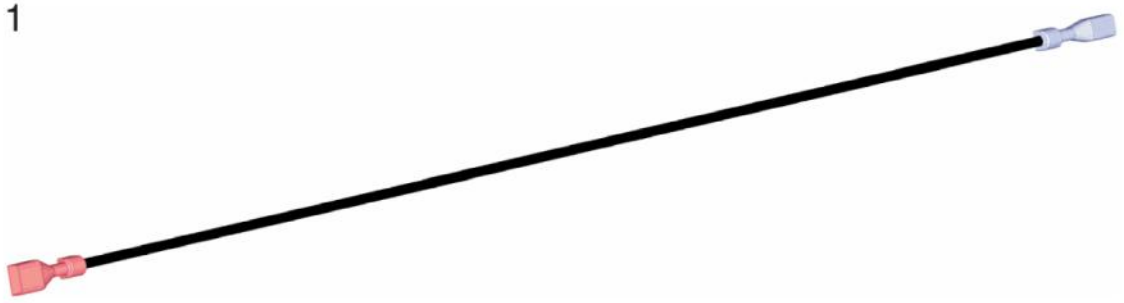


Ref #	Part Number	Qty.	Description
1	G30010455		36 DRIP TAY ASSY
2	PD040028		BUSHING(.194ID/.750OD/.750LONG)
3	G30010696		DRIP TRAY HANDLE ASSY 36
	G93011459PVD		DRIP TRAY HANDLE ASSY 36 PVD
4	PB080061		GREASE PAN
5	PD040004		GROMMET BUMPER
6	PD020079		NO.10 X 1 1/4 PH. PAN HD. T(A) NYLOK

1

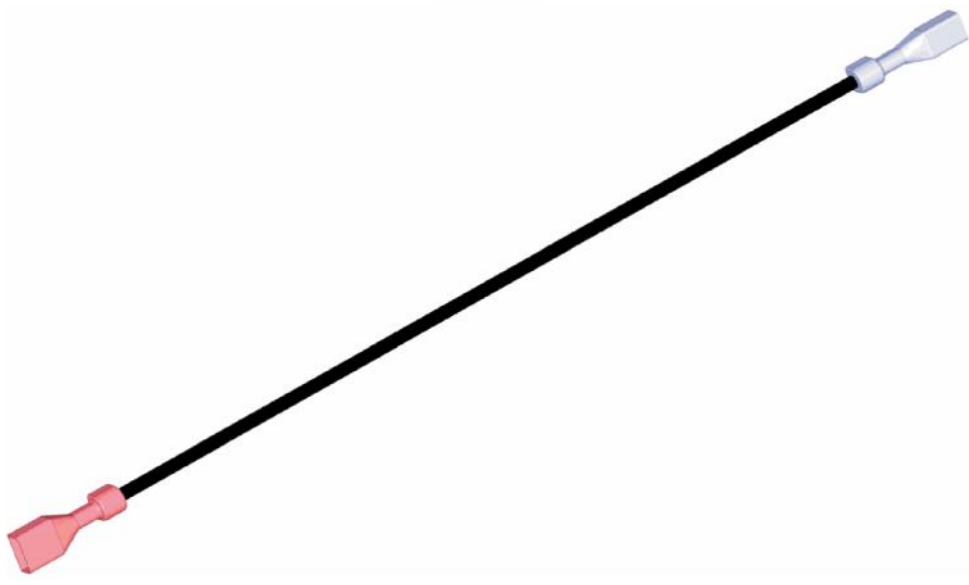


Ref #	Part Number	Qty.	Description
1	PE070890		IRIS HARNESS - 36

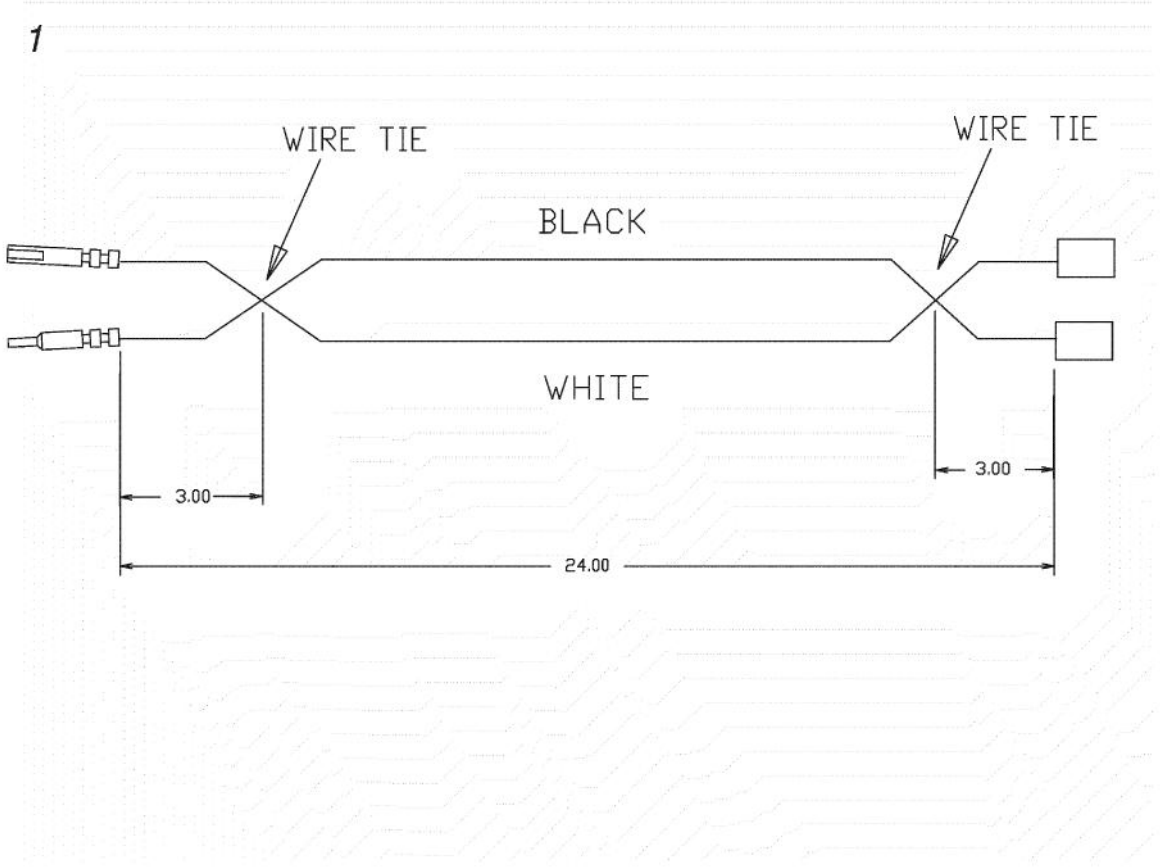


Ref #	Part Number	Qty.	Description
1	000647-000		IRIS IGNITOR WIRE, FRONT BURNER
2	000648-000		IRIS IGNITOR WIRE, BACK BURNER

1



Ref #	Part Number	Qty.	Description
1	000647-000		IRIS IGNITOR WIRE, FRONT BURNER



Ref #	Part Number	Qty.	Description
1	000837-000		VGRT SUPPLY CORD JUMPER (BEFORE 10/4/11)
NI	027347-000		SUPPLY CORD JUMPER (ON OR AFTER 10/4/11)

*No Image
Available*

Ref #	Part Number	Qty.	Description
-------	-------------	------	-------------