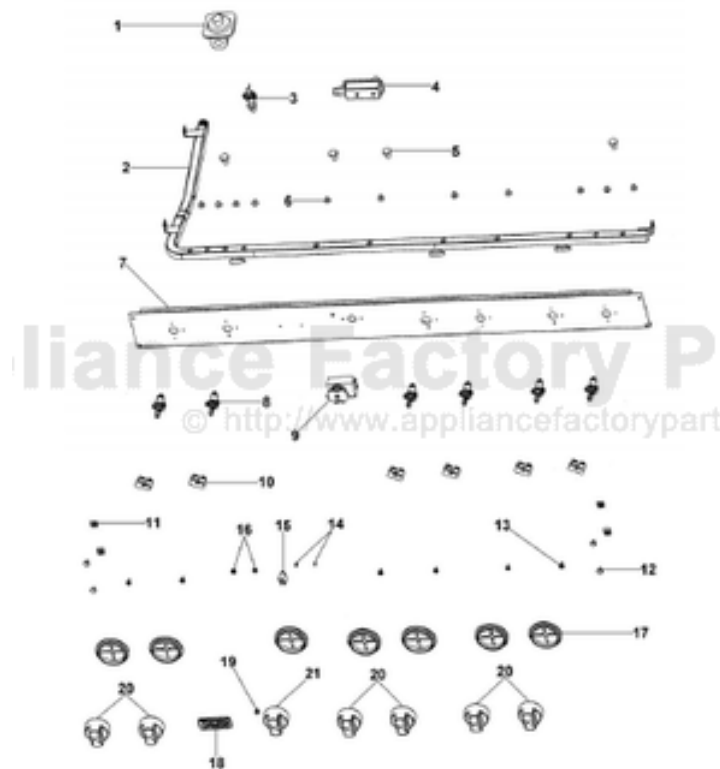


This Owner's Manual is provided and hosted by [Appliance Factory Parts](http://www.appliancefactoryparts.com).



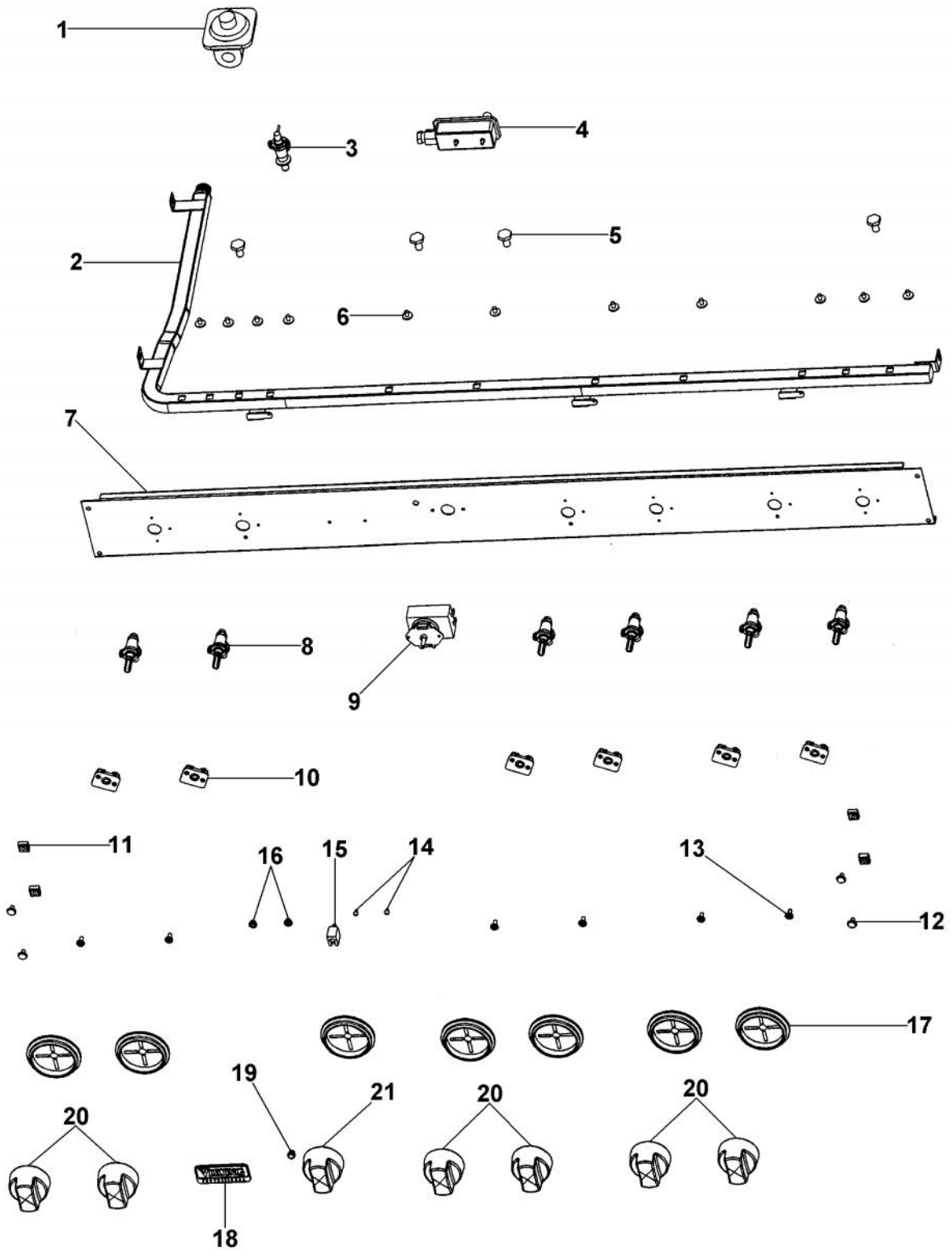
VIKING VGRT480-6G Owner's Manual

[Shop genuine replacement parts for VIKING VGRT480-6G](#)

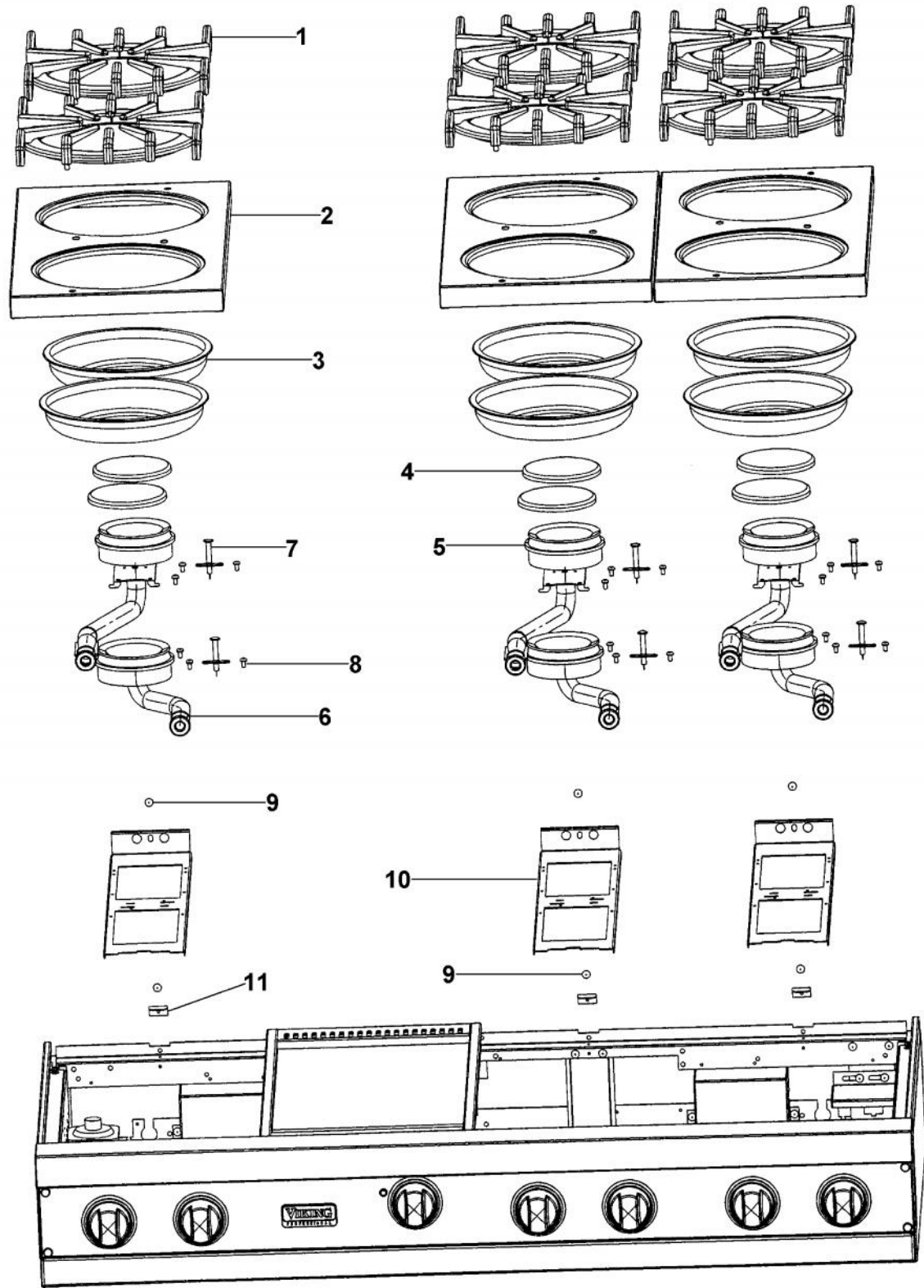


[Find Your VIKING Range Hoods Parts - Select From 411 Models](#)

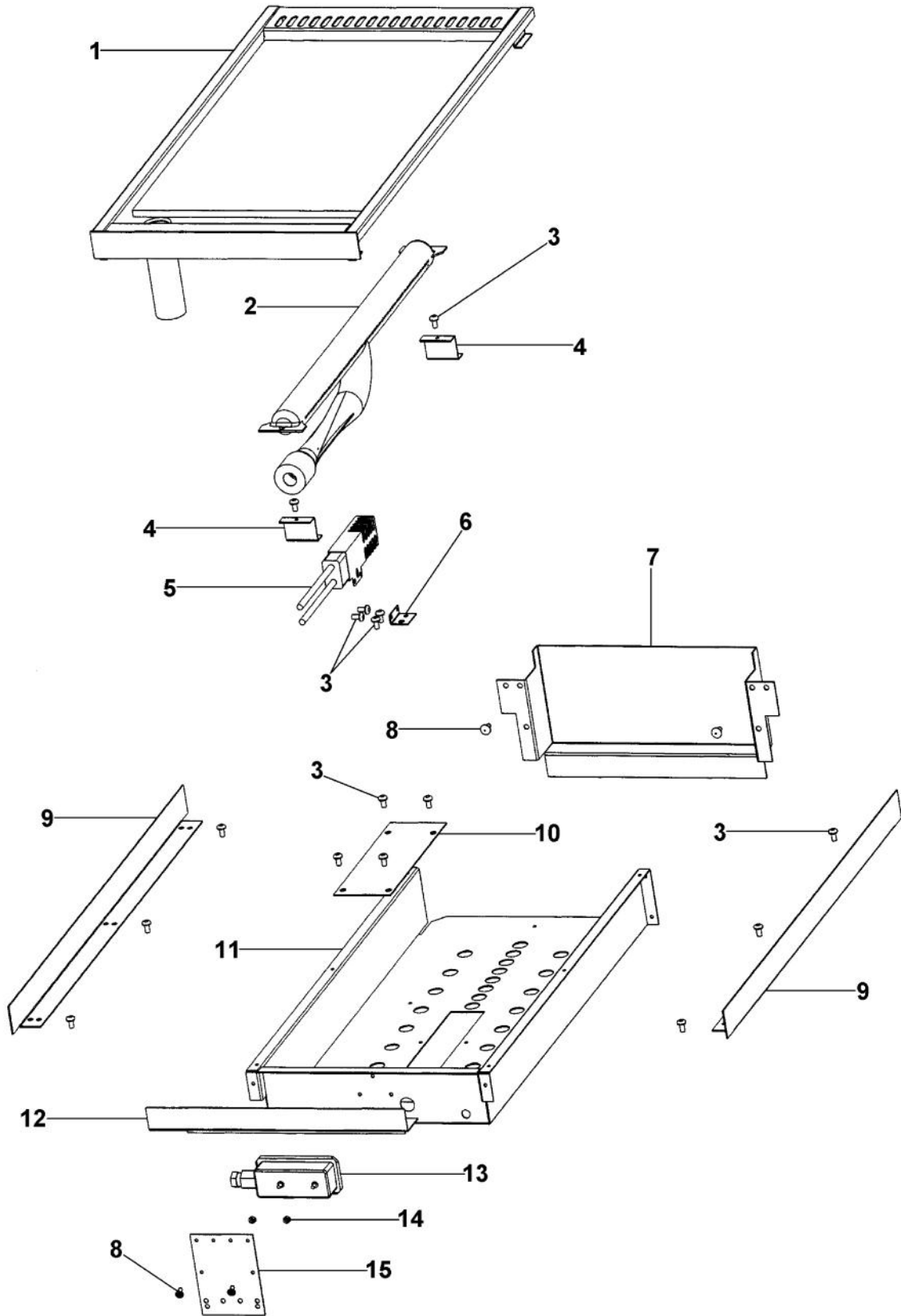
----- Manual continues below -----



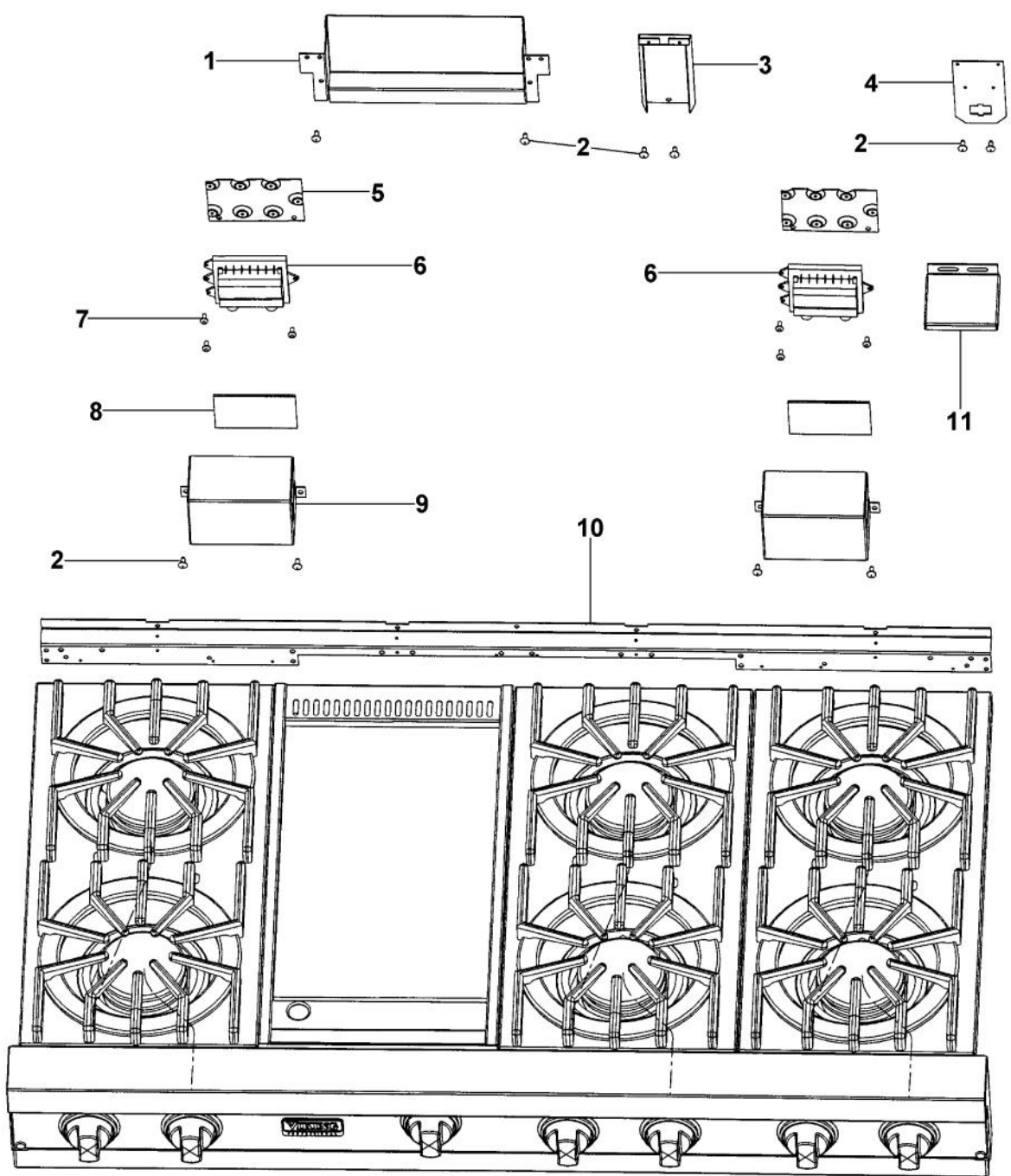
Ref #	Part Number	Qty.	Description
1	PA070001		PRESSURE REGULATOR (NAT.)
2	PA050094		MANIFOLD
3	PB030002		SUB TO 003862-000 - SHUTOFF VALVE (BEFORE 9/22/04)
	PB030007		SHUT OFF VALVE (AFTER 9/22/04)
4	PB010004		SINGLE SAFETY VALVE (NAT. GRIDDLE)
NI	PB020116		TUBING - 10 FLEXIBLE 12 & 24
5	PA010012		ROPER PLUG
6	PD010012		VALVE BOLT 1/4-20 UNC-2B 5/16 M.S.
7	B9202380		CTRL PAN- (VGRT480-6G)XSLK SCR
	C9202380BK		CTRL PAN- XBKX (VGRT480-6G) XSLK SC
	C9202380WH		CTRL PAN- XWHX (VGRT480-6G)XSLK
8	003519-000		PA010024 VALVE AND BOLT KIT (BEFORE 8/09/02)
	003519-000		PA010024 VALVE AND BOLT KIT (BETWEEN 8/09/02 & 9/22/04)
	PA010157		SUB TO 003515-000 - RANGE TOP BURNER VALVE (AFTER 9/22/04)
NI	PB040034		ORIFICE HOOD-NO.50 (NAT)
	PB040036		ORIFICE HOOD-NO.57 (LP)
9	PB010264		GRIDDLE THERMOSTAT
10	PA020015		SPARK IGNITION SWITCH (BEFORE 9/22/04)
	PA020045		IGNITOR SWITCH (AFTER 9/22/04)
11	PD030005		SELF RETAINING NUT
12	PD020033		SRW-NO.10-24X1/2T(23)PH.WFR HD (NKL)
13	PD020046		NO.8 X 1/2 SCREWS
14	PD020006		NO.6-32 X 1/4 PH.PAN HD. T(F)
15	PE050024		OVEN IND. LIGHT (LIGHT HOUSING)
16	PD030006		CAPPED WASHER PAL NUT
17	PB010208		BEZEL, CHROME PLATE
	PB010209		BEZEL BRASS
18	PE010142		3 LOGO XBKXXCHROME
	PE010143		3 LOGO BK/BR
	PE010144		3 LOGO XWHXCHROME
	PE010145		LOGO - WH / BR
19	PE050023		OVEN IND. LIGHT (LENS & BEZEL)
20	PA010034		TOP BURNER KNOB-XBKX (NEW STYLE) (BEFORE 8/09/02)
	PA010035		BURNER KNOB-WH NS REPL PA010028 (BEFORE 8/09/02)
	PB010206		VGSC,VGRC,VGRT TOP BURNER KNOB(BK) (AFTER 8/09/02)
	PB010207		VGSC,VGRC,VGRT TOP BURNER KNOB(WH) (AFTER 8/09/02)
21	PB010103		GRIDDLE KNOB N/S XBKX
	PB010104		GRIDDLE KNOB N/S XWHX



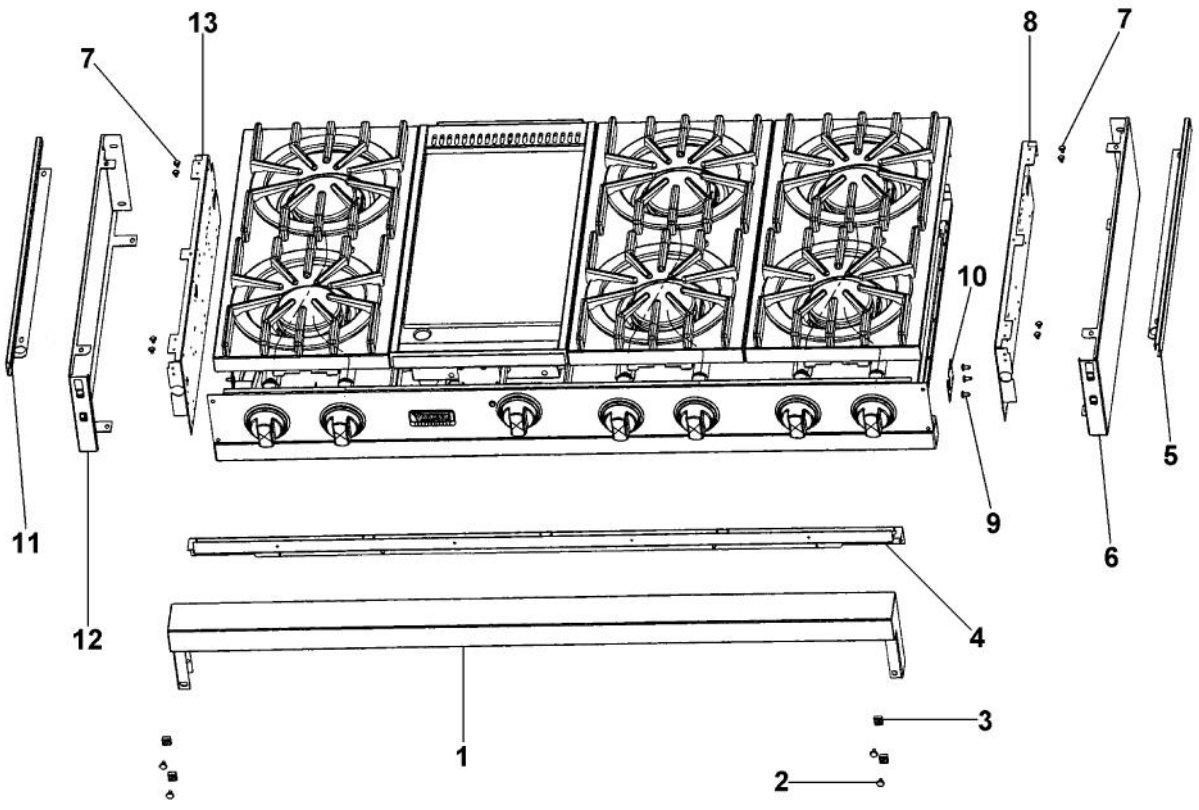
Ref #	Part Number	Qty.	Description
1	PA060037 PA060038		GRATE BK REPL PA060024 (GEN.NO.2) GRAY GRATES
2	G50013584		XGRATE SUPPORT ASSEMBLY
3	PA030002		BURNER BOWL
4	PA080015 PA080016		BURNER CAP-VGRT XBKX BURNER CAP-VGRT (GRAY-MATT)
5	PA080036		TOP BURNER REAR REPL PA080008
6	PA080037		TOP BURNER FRONT REPL PA080007
7	PA020028		SPARK IGNITER
8	PD020004		10X3/8PH.HD.TYPE 25 REPL PD040125
9	PD020002		10 X 1/2 PH.TR.HD.SMS.
10	A2001112		BURNER SUPT (VGRT)
11	A2001147		GRATE SUPT ANGLE (VGRT)



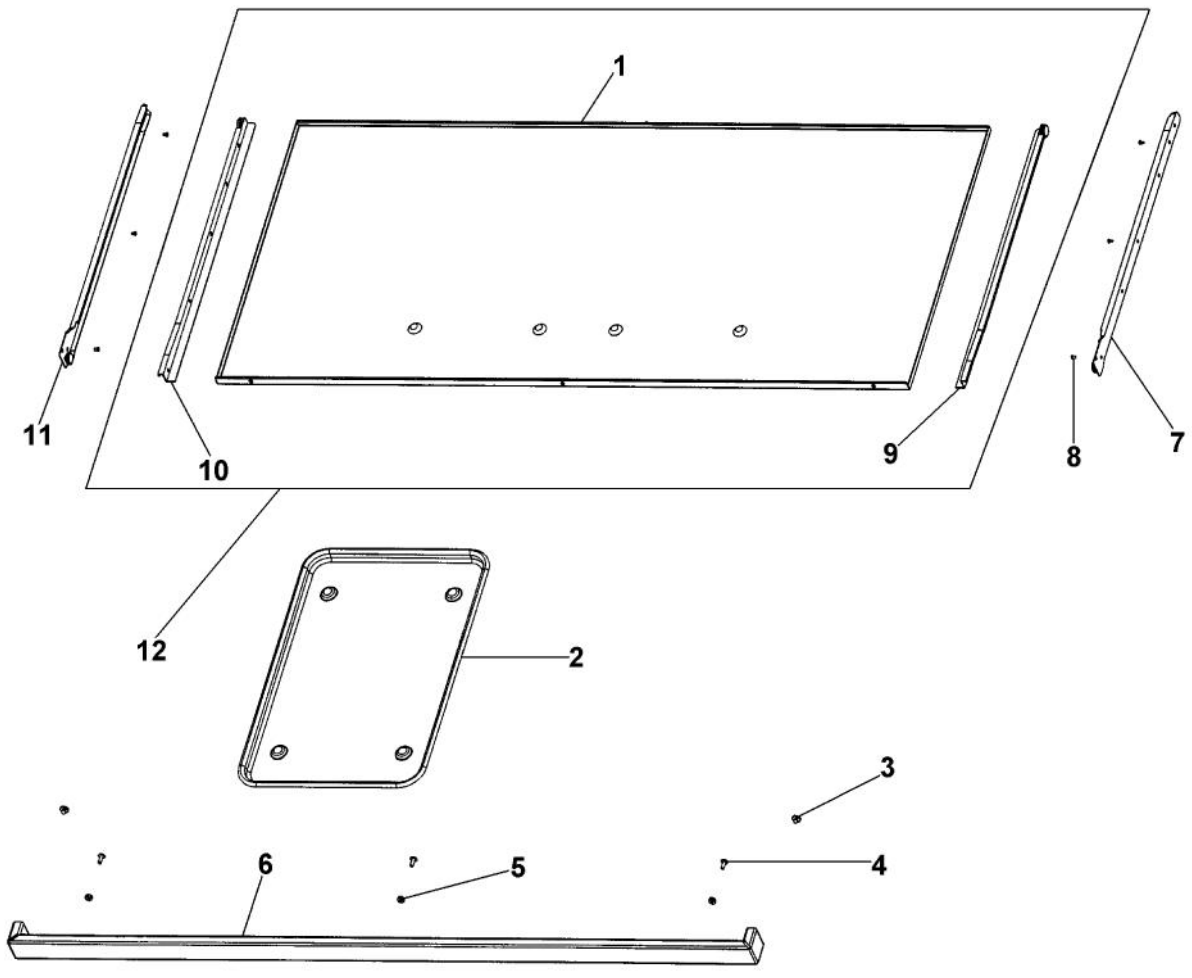
Ref #	Part Number	Qty.	Description
1	G30010494		GRIDDLE WELD ASSY
2	PB050077		GRILL BURNER
3	PD020004		10X3/8PH.HD.TYPE 25 REPL PD040125
4	A2002847		SUPT-GRIDDLE BURNER
5	PB040001		IGNITOR - (ALL RANGES)
6	A2001300		GRIDDLE IGNITOR BRKT
7	A2002899		GRIDDLE FLUE BOX
8	PD020002		10 X 1/2 PH.TR.HD.SMS.
9	A2002896		GRIDDLE BOX EXTENSION (LH / RH)
10	A1001636		GRIDDLE VENTURI COVER
11	A2007610		GRIDDLE BOX - VGIC4854G
12	A2002898		GRIDDLE BOX EXTENSION FRONT
13	PB010004		SINGLE SAFETY VALVE (NAT. GRIDDLE)
14	PD030012		6-32 HEX NUT
15	A1001198		THERMAL VALVE BRKT



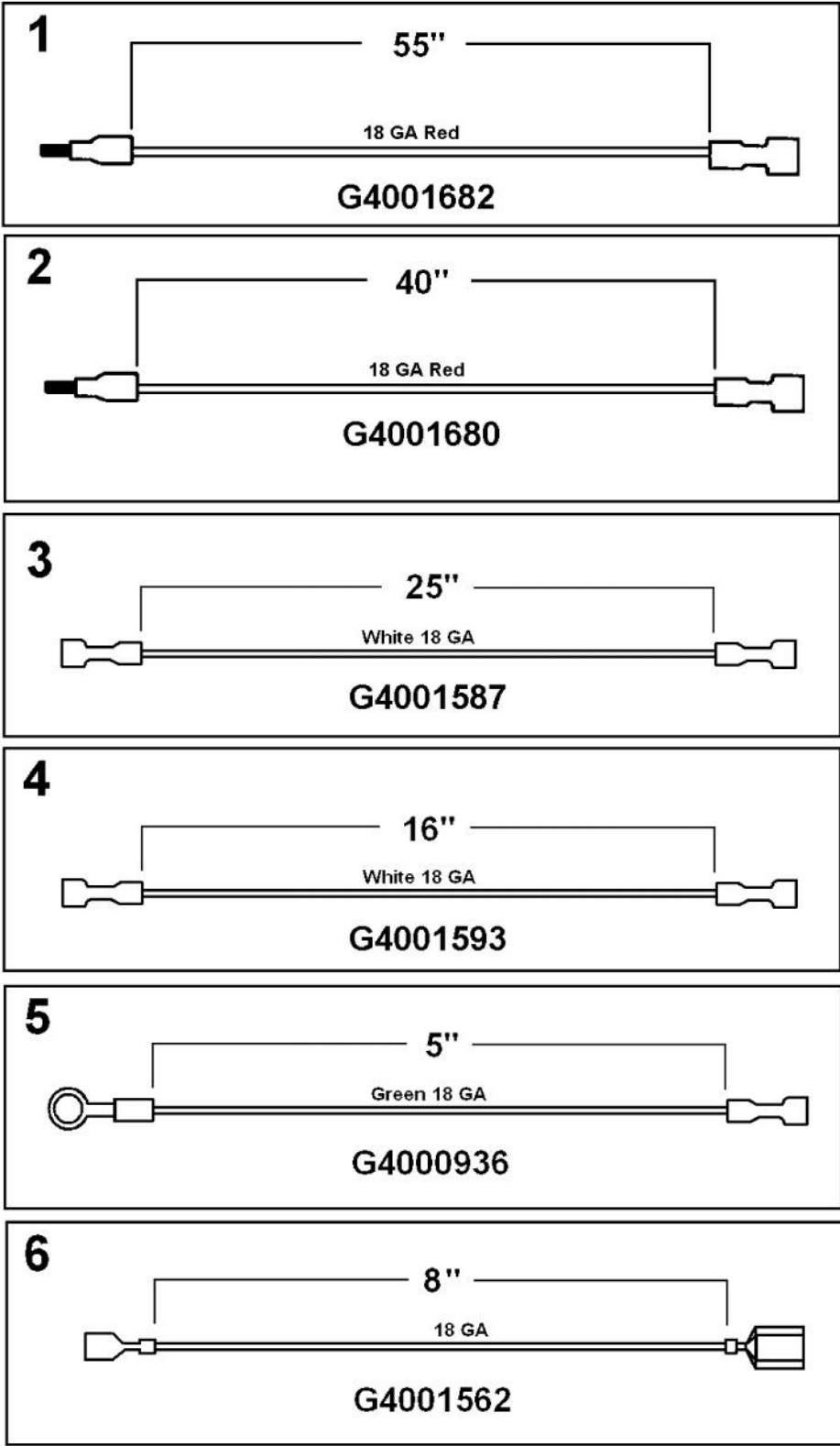
Ref #	Part Number	Qty.	Description
1	A2002899		GRIDDLE FLUE BOX
2	PD020002		10 X 1/2 PH.TR.HD.SMS.
3	A2001179		BACK SUPT (VGRT)
4	A1001146		PLUG BRACKET
5	A1001619		SPARK MODULE PLATE
6	PA020047		INVENSYS 0+4 RE-IGNITION SPARK MODULE
7	PD020004		10X3/8PH.HD.TYPE 25 REPL PD040125
8	PB070191		INSULATION PAD
9	A2001620		SPARK MODULE COVER (VGRC)
10	A2001908		REAR BURNER SUPT -48 (VGRT/RC)
11	A2000667		SHIELD - OUTLET VRTR



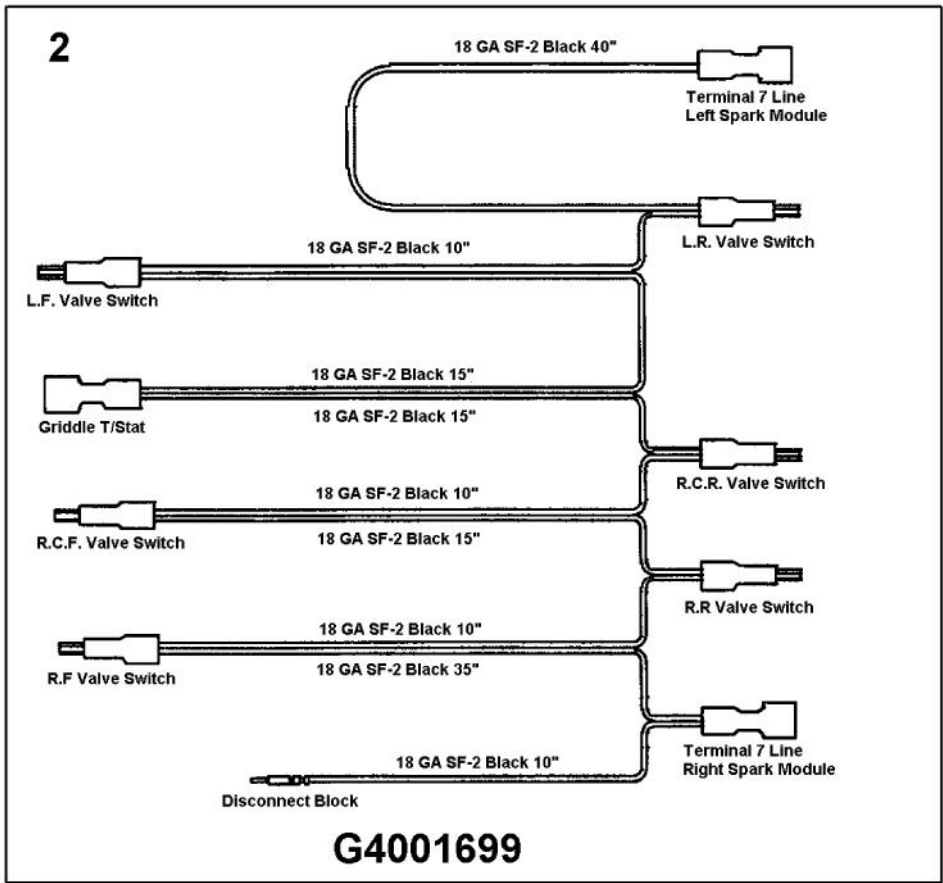
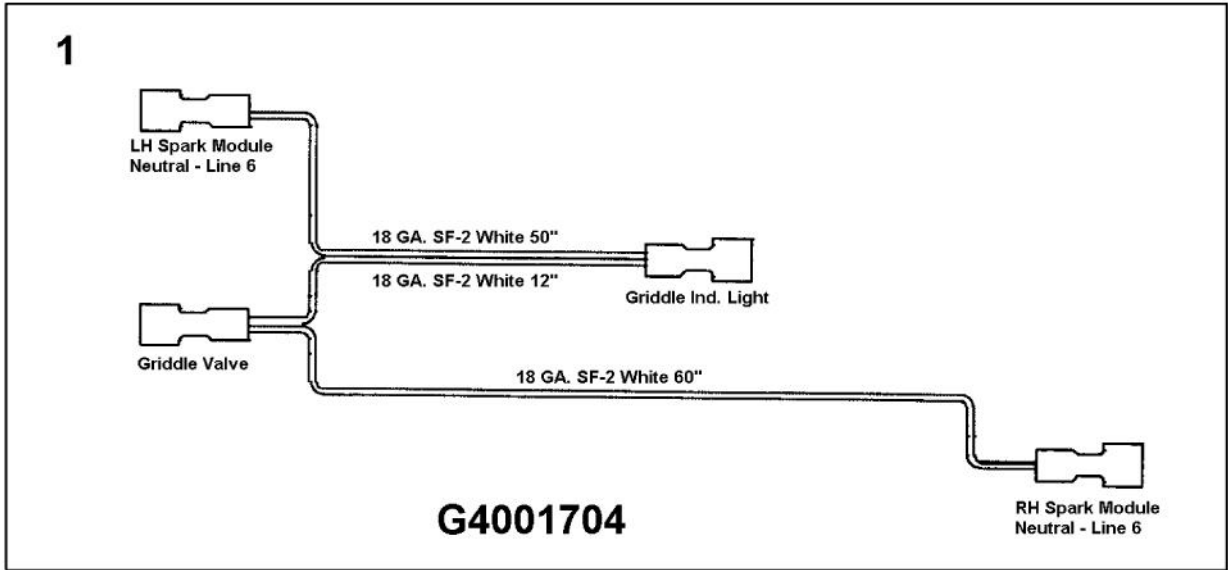
Ref #	Part Number	Qty.	Description
1	G3001584		LANDING LGD 48
2	PD020033		SRW-NO.10-24X1/2T(23)PH.WFR HD (NKL)
3	PD030005		SELF RETAINING NUT
4	A2001104		FRONT SUPT (48)
5	B2001915		SIDE TRIM-RH (VGRT)
	C9301815BR		SIDE TRIM - RH (BR)
6	B2001919		SIDE PANEL-RH (VGRT)
7	PD020032		SRW-8(A)X3/8PH.WFR HD 7/16DIAXNICL
8	A2001911		BURNER BOX SIDE RH
9	PD020002		10 X 1/2 PH.TR.HD.SMS.
10	A1001138		MANIFOLD BRKT
11	B2001916		SIDE TRIM-LH (VGRT)
	C9301916BR		SIDE TRIM LH (VGRT) XBRX
12	B2001920		SIDE PANEL-LH (VGRT)
13	A2001912		BURNER BOX SIDE LH



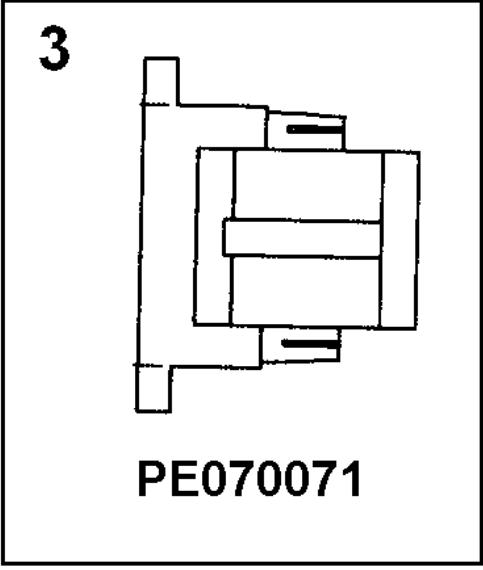
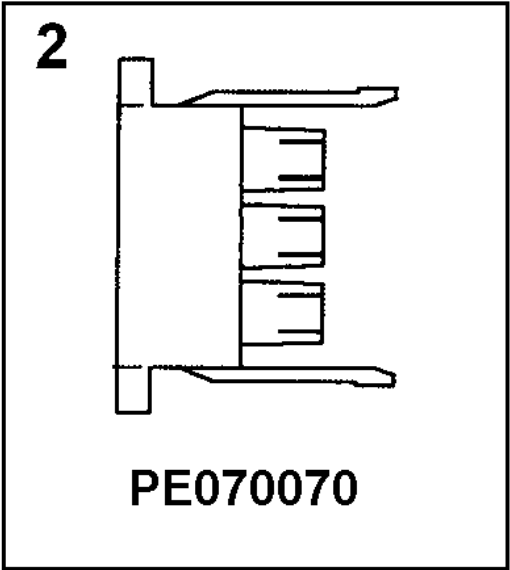
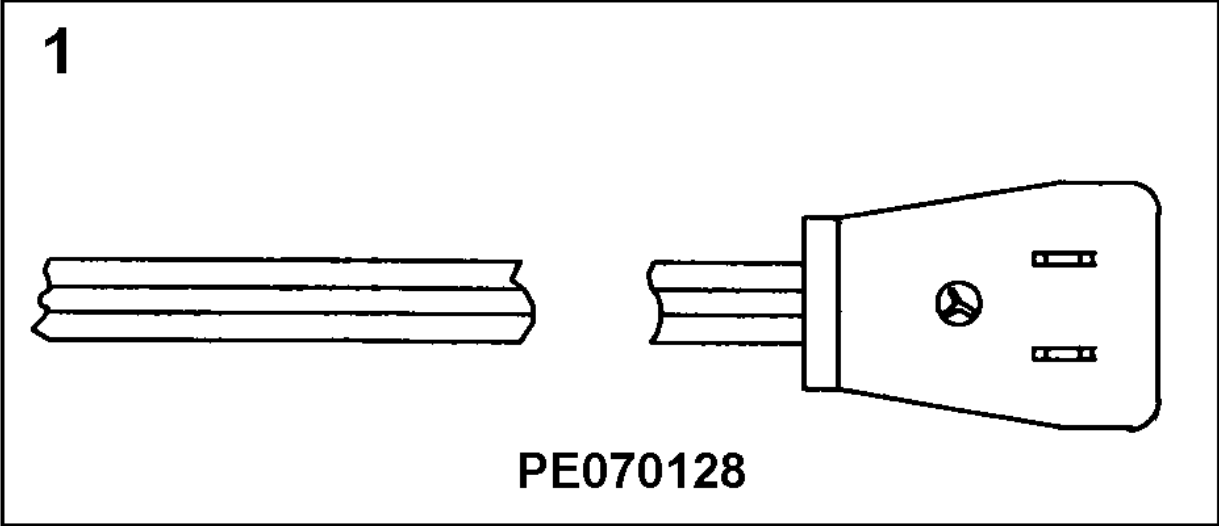
Ref #	Part Number	Qty.	Description
1	B3002768		DRIP TRAY (W/EMBOSS) 48 OVERALL LENGTH = 42.644``
	A30013335		48 DRIP TRAY 6Q & 6GQ OVERALL LENGTH = 44.500``
2	PB080061		GREASE PAN
3	PD040004		GROMMET BUMPER
4	PD010041		10-24 X 1/2 PH.TR.HD.M.S. NYLOK
5	PD030044		10-24 KEPS NUT SS
6	G3002580		DRIP TRAY HANDLE ASSY XSSX (VDSC48) (BEFORE 3/23/04)
	G9302581PVD		DRIP TRAY HANDLE - BR (BEFORE 3/23/04) (BEFORE 3/23/04)
	G30010697		DRIP TRAY HANDLE ASSY 48 (AFTER 3/23/04)
	G93011461PVD		DRIP TRAY HANDLE ASSY 48 PVD (AFTER 3/23/04)
7	PK000008		DRIP TRAY GUIDE - RH
8	PC040010		POP RIVET
9	PK000010		RUNNER, DRIP TRAY - RH (VGRT)
10	PK000009		RUNNER, DRIP TRAY - LH (VGRT)
11	PK000007		DRIP TRAY GUIDE - LH (VGRT)
12	G3004873		DRIP TRAY WELD ASSY (48) OVERALL LENGTH = 41.956``
	G30013336		48 DRIP TRAY ASSY. 6Q & 4GQ OVERALL LENGTH = 45.188``



Ref #	Part Number	Qty.	Description
1	G4001682		WIRE ASSY XALX 55
2	G4001680		SPRK MDLE-TOP BRNR VLVE SWITCH (40)
3	G4001587		SPARK MODULE-TOP BRNR SPARKER (25)
4	G4001593		SPARK MODULE-TOP BRNR SPARKER (16)
5	G4000936		GROUND WIRE
6	G4001562		DUAL SAFETY VALVE - JUMPER (10)



Ref #	Part Number	Qty.	Description
1	G4001704		WIRING HARNESS (NEU) (VGRT48)
2	G4001699		WIRING HARNESS (LINE) (VGRT48)



Ref #	Part Number	Qty.	Description
1	PE070128		SUPPLY CORD (VGRT/SC/SS/RC)
2	PE070070		DISCONNECT BLOCK XALX 770020-1
3	PE070071		DISCONNECT BLOCK XALX 770027-1