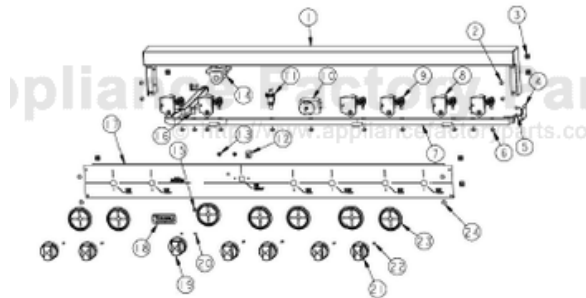


This Owner's Manual is provided and hosted by [Appliance Factory Parts](#).



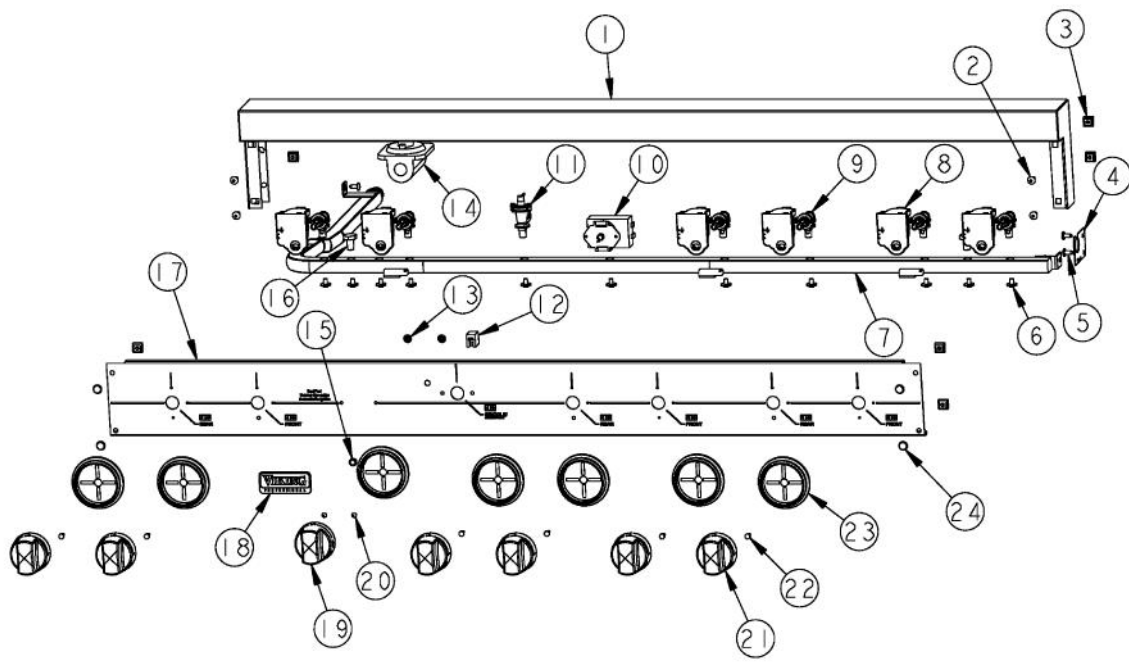
VIKING VGRT480-6G AFTER_07-09-07 Owner's Manual

[Shop genuine replacement parts for VIKING VGRT480-6G AFTER_07-09-07](#)

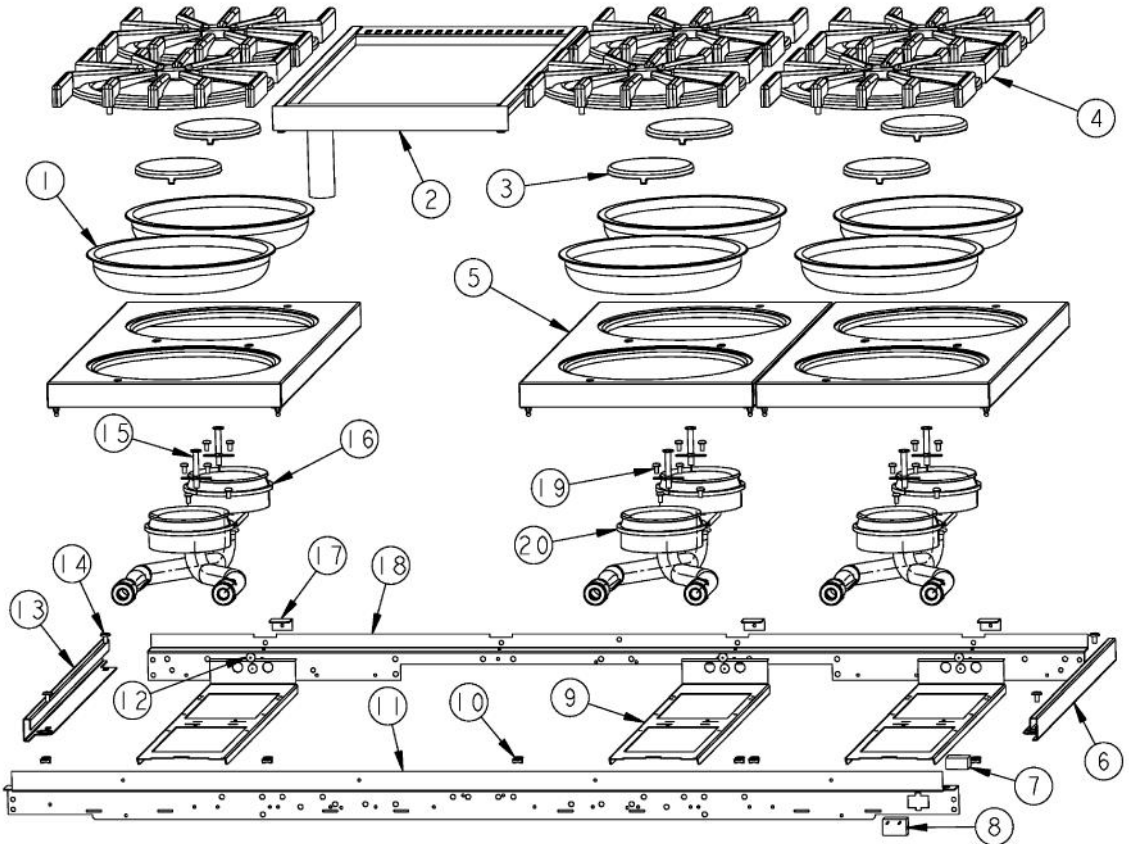


[Find Your VIKING Range Hoods Parts - Select From 411 Models](#)

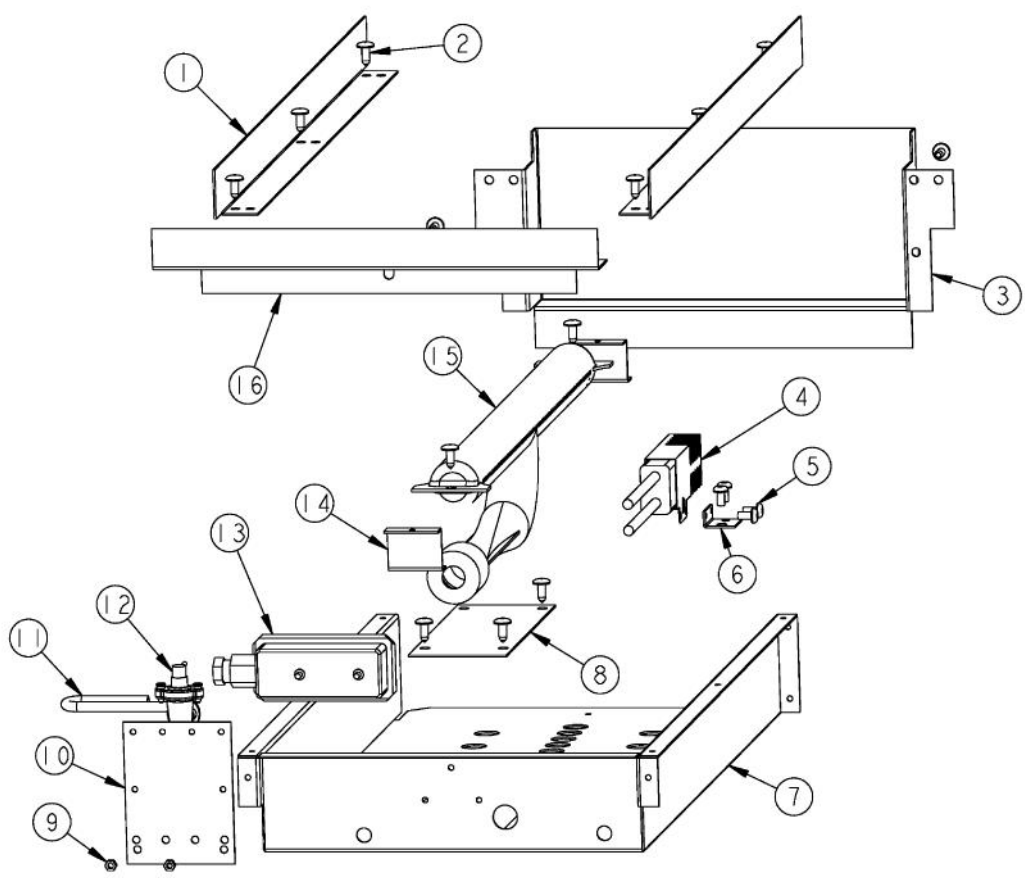
----- Manual continues below -----



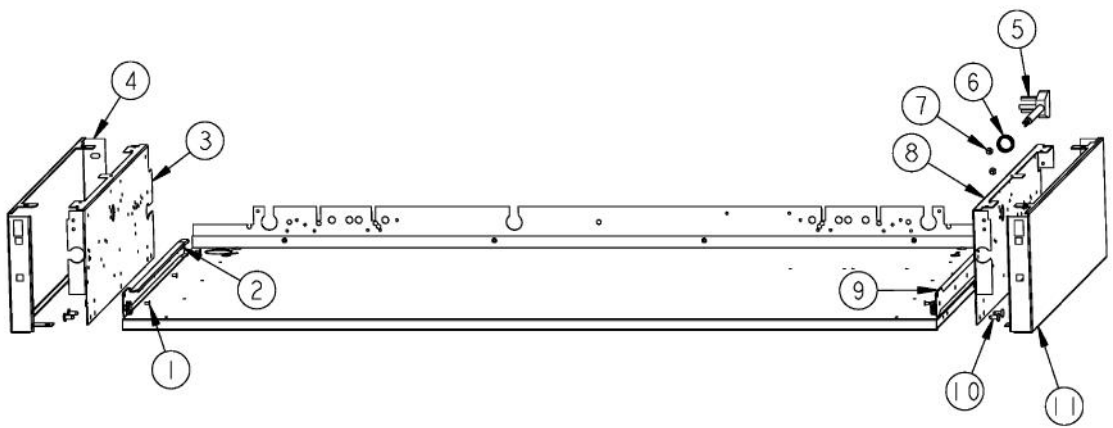
Ref #	Part Number	Qty.	Description
1	G3001584		LANDING LGD 48
2	PD010003		10-24 X 1/2 PH.TR.HD.SERD.M.S.
3	PD030005		SELF RETAINING NUT
4	A1001138		MANIFOLD BRKT
5	PD020002		10 X 1/2 PH.TR.HD.SMS.
6	PD010012		VALVE BOLT 1/4-20 UNC-2B 5/16 M.S.
7	PA050115		UNIVERSAL 48 MANIFOLD
8	PA020058		IRIS SINGLE SPARK MODULE
9	PA010157		SUB TO 003515-000 - RANGE TOP BURNER VALVE
10	PB010264		GRIDDLE THERMOSTAT
11	PB030007		SHUT OFF VALVE
12	PE050024		OVEN IND. LIGHT (LIGHT HOUSING)
13	PD030006		CAPPED WASHER PAL NUT
14	PA070001		PRESSURE REGULATOR (NAT.)
15	PE050023		OVEN IND. LIGHT (LENS & BEZEL)
16	PA010012		ROPER PLUG
17	B9202380		CTRL PAN- (VGRT480-6G)XSLK SCR
	C9202380AL		CONTROL PANEL VGRT480-6G XALX SILK SCR
	C9202380BK		CTRL PAN- XBKX (VGRT480-6G) XSLK SC
	C9202380BT		CONTROL PANEL VGRT480-6G XBTX SILK SCR
	C9202380BU		CONTROL PANEL VGRT480-6G XBUX SILK SCR
	C9202380CB		CONTROL PANEL VGRT480-6G XCBX SILK SCR
	C9202380EP		CONTROL PANEL VGRT480-6G XEPX SILK SCR
	C9202380FG		CONTROL PANEL VGRT480-6G XFGX SILK SCR
	C9202380GG		CONTROL PANEL VGRT480-6G XGGX SILK SCR
	C9202380LE		CONTROL PANEL VGRT480-6G XLEX SILK SCR
	C9202380MJ		CONTROL PANEL VGRT480-6G XMJX SILK SCR
	C9202380SG		CONTROL PANEL VGRT480-6G XSGX SILK SCR
	C9202380VB		CONTROL PANEL VGRT480-6G XVBX SILK SCR
	C9202380WH		CTRL PAN- XWHX (VGRT480-6G)XSLK
18	PE010142		3 LOGO XBKXXCHROME
	PE010143		3 LOGO BK/BR
	PE010144		3 LOGO XWHXCHROME
	PE010145		LOGO - WH / BR
19	PB010103		GRIDDLE KNOB N/S XBKX
	PB010104		GRIDDLE KNOB N/S XWHX
20	PD020006		NO.6-32 X 1/4 PH.PAN HD. T(F)
21	PB010206		VGSC,VGRC,VGRT TOP BURNER KNOB(BK)
	PB010207		VGSC,VGRC,VGRT TOP BURNER KNOB(WH)
22	PD020067		NO.6 X 3/8 PAN PHIL. TEK SS
23	PB010208		BEZEL, CHROME PLATE
	PB010209		BEZEL BRASS
24	PD020033		SRW-NO.10-24X1/2T(23)PH.WFR HD (NKL)



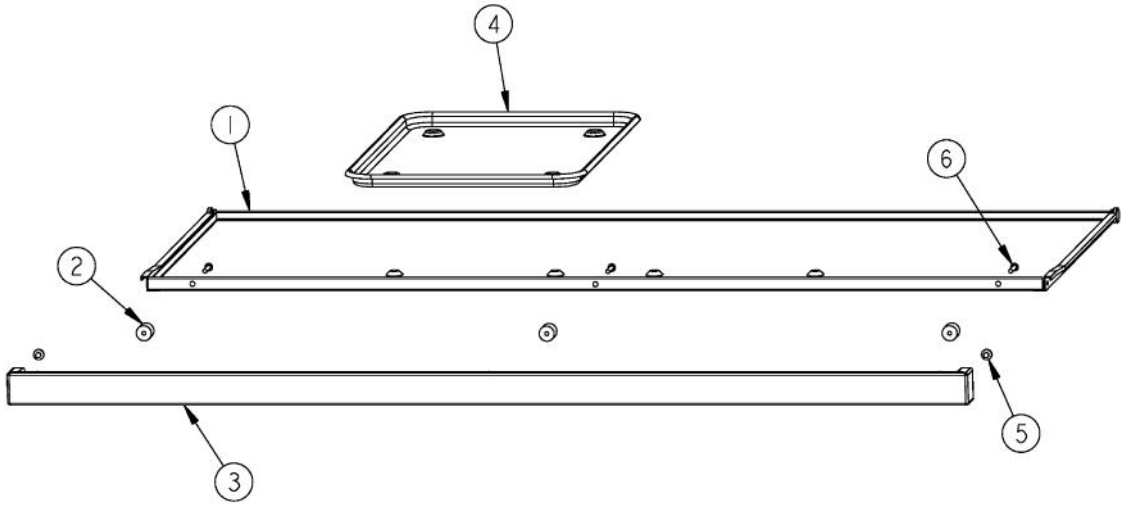
Ref #	Part Number	Qty.	Description
1	PA030002BK PA030002WH		BURNER BOWL (VGRT) XXBKXX BURNER BOWL (VGRT) XXWHXX
2	G30010494		GRIDDLE WELD ASSY
3	PA080015		BURNER CAP-VGRT XBKX
4	PA060037		GRATE BK REPL PA060024 (GEN.NO.2)
5	G50013584BK G50013584WH		GRATE SUPPORT SERVICE KIT (BK) GRATE SUPPORT SERVICE KIT (WH)
6	B2001915 C9301915BR		SIDE TRIM-RH (VGRT) SIDE TRIM RH (VGRT) XBRX
7	PE070071		DISCONNECT BLOCK XALX 770027-1
8	000573-000		POWER JUMPER WIRE
9	A2001112		BURNER SUPT (VGRT)
10	PD010016		BALL STUD FASTEN
11	A2001104		FRONT SUPT (48)
12	PD020002		10 X 1/2 PH.TR.HD.SMS.
13	B2001916 C9301916BR		SIDE TRIM-LH (VGRT) SIDE TRIM LH (VGRT) XBRX
14	PD020032		SRW-8(A)X3/8PH.WFR HD 7/16DIAXNICL
15	PA020028		SPARK IGNITER
16	PA080036		TOP BURNER REAR REPL PA080008
17	A2001147		GRATE SUPT ANGLE (VGRT)
18	A2001908		REAR BURNER SUPT -48 (VGRT/RC)
19	PD020004		10X3/8PH.HD.TYPE 25 REPL PD040125
20	PA080037		TOP BURNER FRONT REPL PA080007



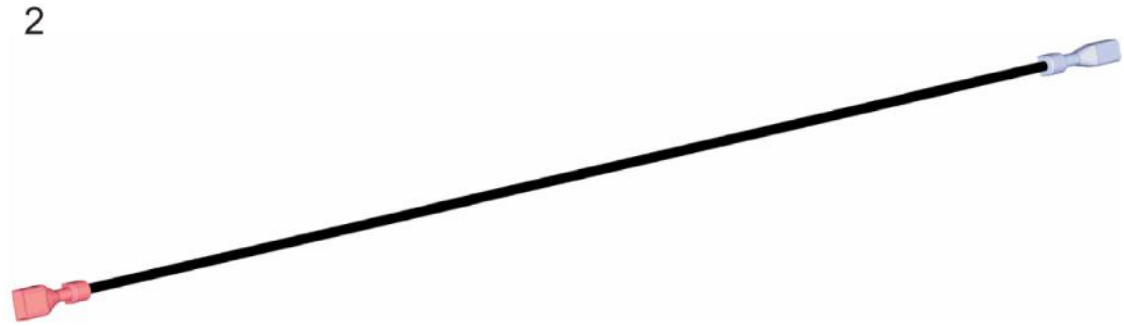
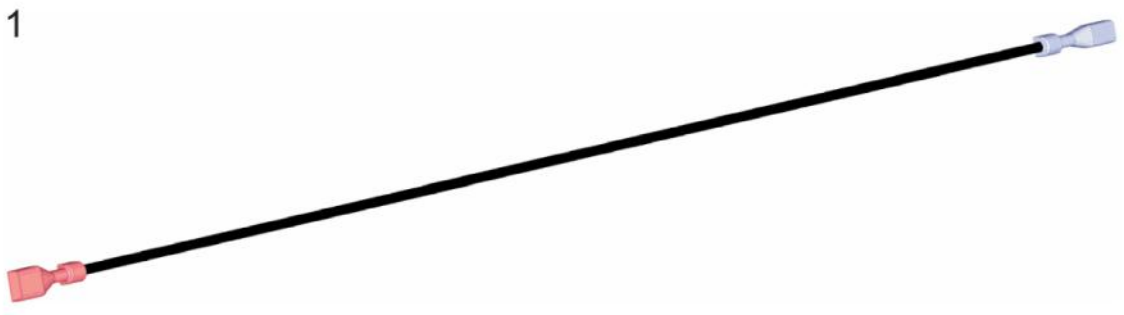
Ref #	Part Number	Qty.	Description
1	A2002896		GRIDDLE BOX EXTENSION (LH / RH)
2	PD020002		10 X 1/2 PH.TR.HD.SMS.
3	A2002899		GRIDDLE FLUE BOX
4	PB040001		IGNITOR - (ALL RANGES)
5	PD020044		NO.8-32 X 1/4 PH. TR. HD. M.S.
6	A2001300		GRIDDLE IGNITOR BRKT
7	A2007610		GRIDDLE BOX - VGIC4854G
8	A1001636		GRIDDLE VENTURI COVER
9	PD030012		6-32 HEX NUT
10	A1001198		THERMAL VALVE BRKT
11	PB020116		TUBING - 10 FLEXIBLE 12 & 24
12	PB030007		SHUT OFF VALVE
13	PB010004		SINGLE SAFETY VALVE (NAT. GRIDDLE)
14	A2002847		SUPT-GRIDDLE BURNER
15	PB050077		GRILL BURNER
16	A2002898		GRIDDLE BOX EXTENSION FRONT



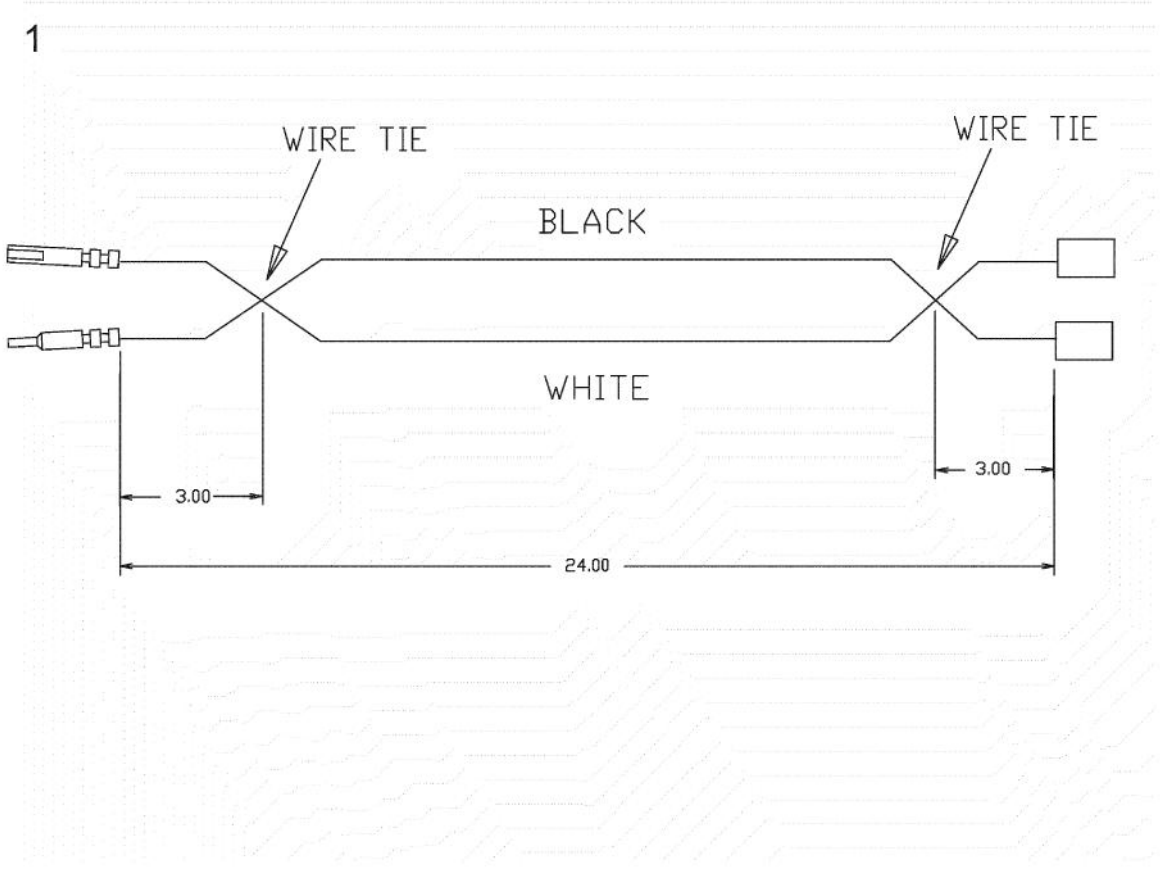
Ref #	Part Number	Qty.	Description
1	PC040010		POP RIVET
2	PK000007		DRIP TRAY GUIDE - LH (VGRT)
3	A2001912		BURNER BOX SIDE LH
4	B2001920		SIDE PANEL-LH (VGRT)
5	PE070128		SUPPLY CORD (VGRT/SC/SS/RC)
6	PD040005		SNAP BUSHING - 7/8
7	PD020010		10 X 3/8 GREEN GROUNDING SCREW
8	A2001911		BURNER BOX SIDE RH
9	PK000008		DRIP TRAY GUIDE - RH
10	PD020002		10 X 1/2 PH.TR.HD.SMS.
11	B2001919		SIDE PANEL-RH (VGRT)



Ref #	Part Number	Qty.	Description
1	G30013336		48 DRIP TRAY ASSY. 6Q &4GQ
2	PD040028		BUSHING(.194ID/.750OD/.750LONG)
3	G30010697		DRIP TRAY HANDLE ASSY 48
	G93011461PVD		DRIP TRAY HANDLE ASSY 48 PVD
4	PB080061		GREASE PAN
5	PD040004		GROMMET BUMPER
6	PD020079		NO.10 X 1 1/4 PH. PAN HD. T(A) NYLOK



Ref #	Part Number	Qty.	Description
1	000647-000		IRIS IGNITOR WIRE, FRONT BURNER
2	000648-000		IRIS IGNITOR WIRE, BACK BURNER



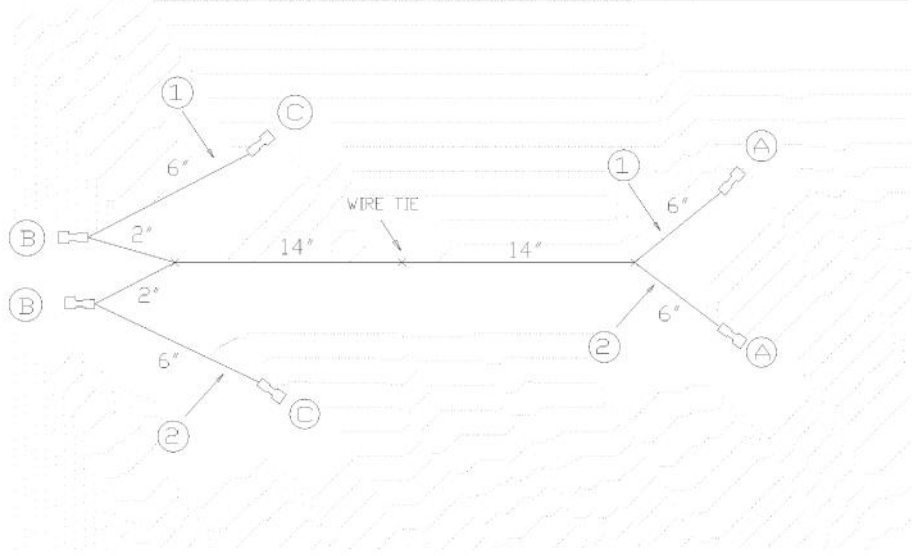
Ref #	Part Number	Qty.	Description
1	000837-000		VGRT SUPPLY CORD JUMPER (BEFORE 10/4/11)
NI	027347-000		SUPPLY CORD JUMPER (ON OR AFTER 10/4/11)

1

① = BLACK WIRE

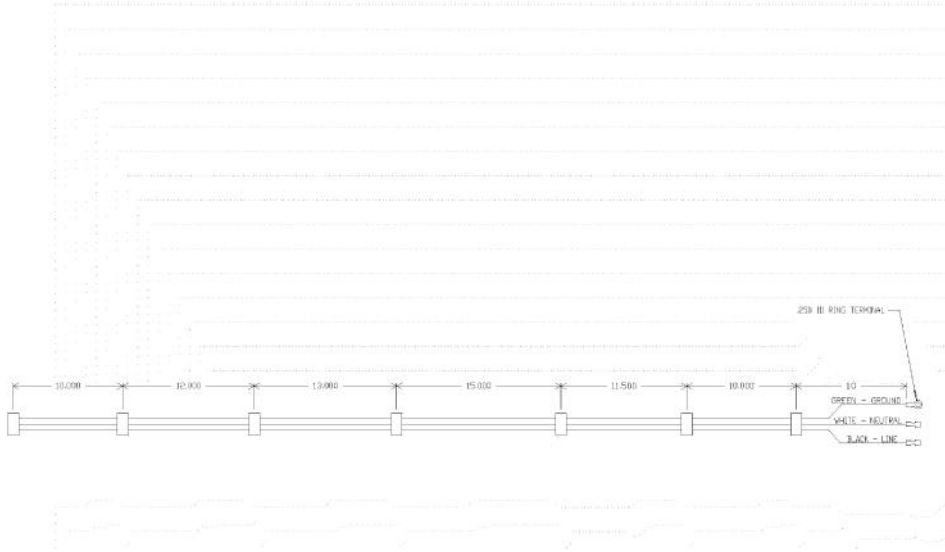
② = WHITE WIRE

QTY	DESCRIPTION
A 2	250 X .032 INSULATED FEMALE QUICK CONNECT
B 2	250 X .032 INSULATED FEMALE QUICK CONNECT
C 2	167 X .032 INSULATED FEMALE QUICK CONNECT



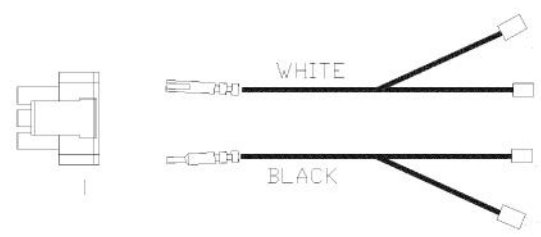
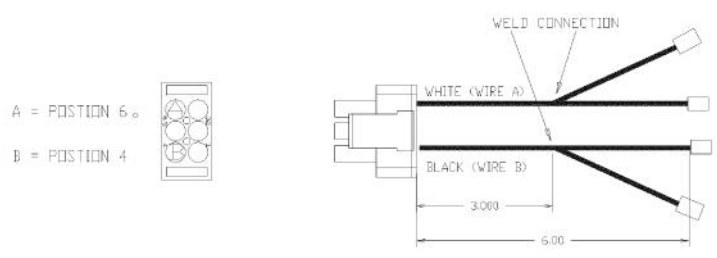
Ref #	Part Number	Qty.	Description
1	000879-000		GRIDDLE HARNESS W/IRIS

1



Ref #	Part Number	Qty.	Description
1	PE070891		IRIS HARNESS - 48

1



Ref #	Part Number	Qty.	Description
1	000878-000		IRIS POWER JUMPER W/GRIDDLE

*No Image
Available*

Ref #	Part Number	Qty.	Description
-------	-------------	------	-------------
