

This Owner's Manual is provided and hosted by [Appliance Factory Parts](#).



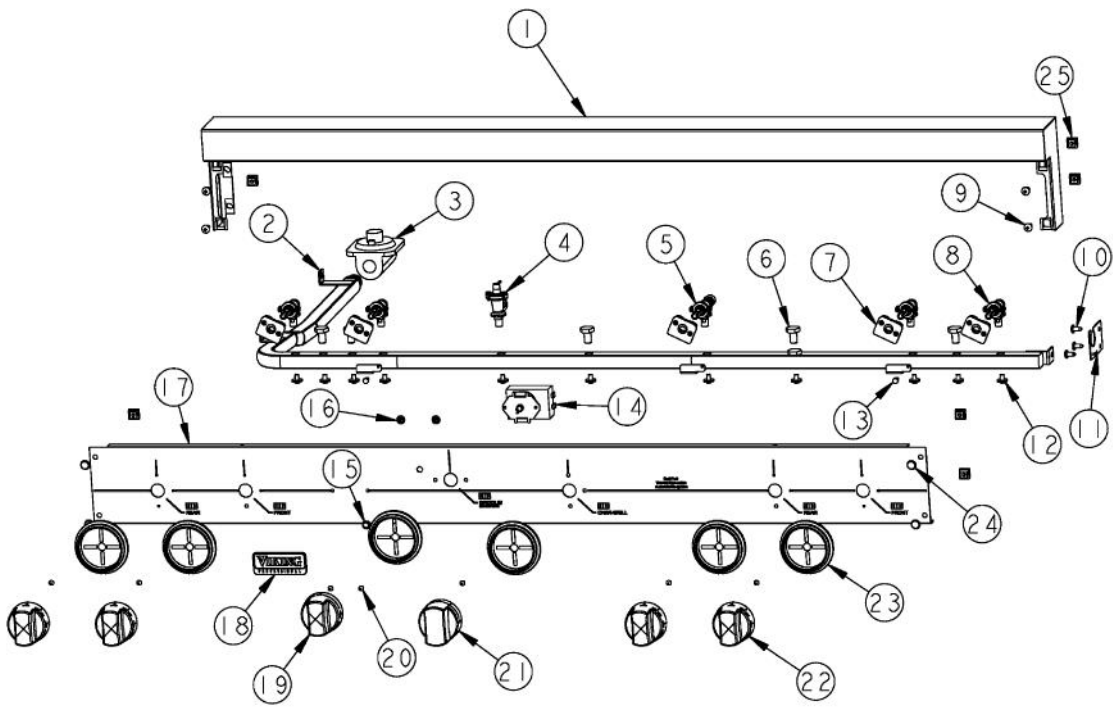
VIKING VGRT482-4GQ Owner's Manual

[Shop genuine replacement parts for VIKING
VGRT482-4GQ](#)

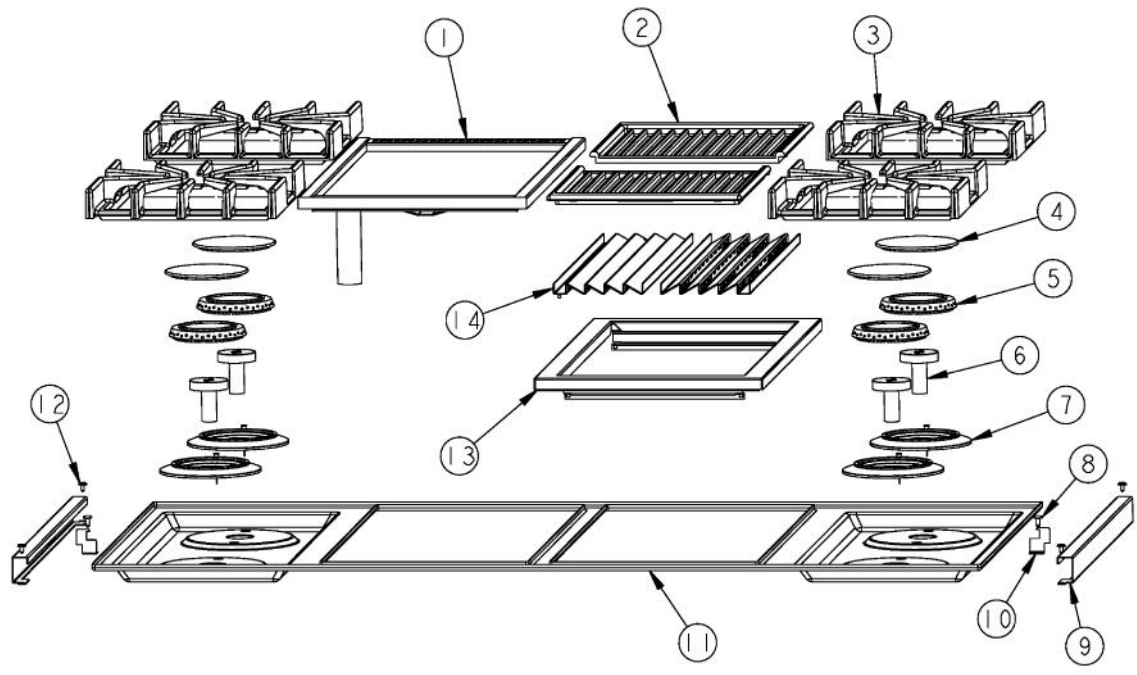


[Find Your VIKING Range Hoods Parts - Select From 411 Models](#)

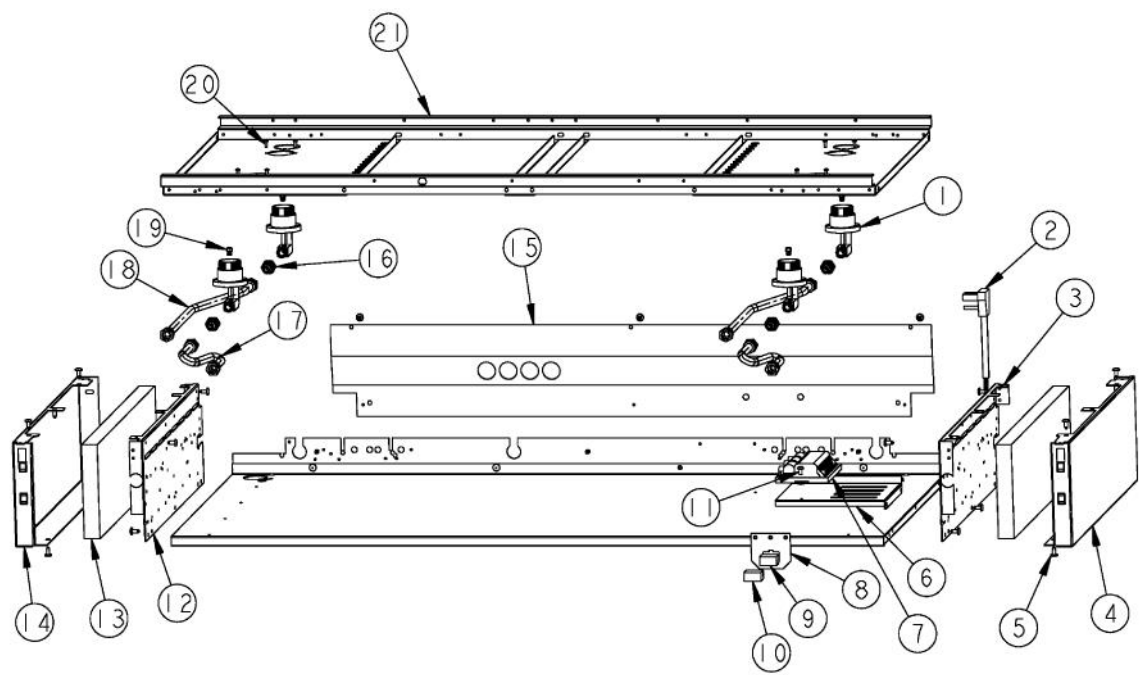
----- Manual continues below -----



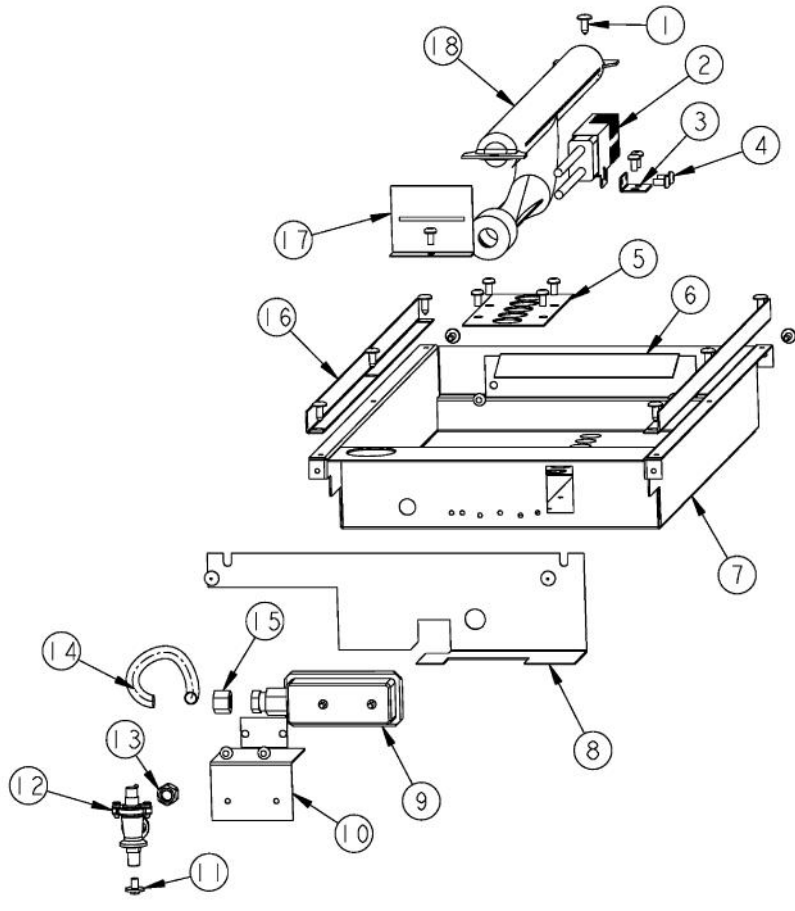
Ref #	Part Number	Qty.	Description
1	G3009843		SEALED LANDING LEDGE ASSY 48
2	PA050115		UNIVERSAL 48 MANIFOLD
3	PA070001		PRESSURE REGULATOR (NAT.)
4	PB030007		SHUT OFF VALVE
5	PA010159		SUB TO 003536-000 - RANGE GRILL VALVE
6	PA010012		ROPER PLUG
7	PA020045		IGNITOR SWITCH
8	PA010158		SUB TO 003517-000 - SEALED BURNER FLARE VALVE
9	PD010003		10-24 X 1/2 PH.TR.HD.SERD.M.S.
10	PD020002		10 X 1/2 PH.TR.HD.SMS.
11	A1001138		MANIFOLD BRKT
12	PD010012		VALVE BOLT 1/4-20 UNC-2B 5/16 M.S.
13	PD020067		NO.6 X 3/8 PAN PHIL. TEK SS
14	PB010264		GRIDDLE THERMOSTAT
15	PE050023		OVEN IND. LIGHT (LENS & BEZEL)
16	PD030006		CAPPED WASHER PAL NUT
17	B9202379		CTRL PAN- (VGRT480-4GQ)XSLK SCRX
17	C9202379BK		CTRL PAN- XBKX (VGRT480-4GQ)XSLK
17	C9202379WH		CTRL PAN- XWHX (VGRT480-4GQ)XSLK S
18	PE010142		3 LOGO XBKXXCHROME
18	PE010143		3 LOGO BK/BR
18	PE010144		3 LOGO XWHXCHROME
18	PE010145		LOGO - WH / BR
19	PB010103		GRIDDLE KNOB N/S XBKX
19	PB010104		GRIDDLE KNOB N/S XWHX
20	PD020006		NO.6-32 X 1/4 PH.PAN HD. T(F)
21	PA010122		VGRC/IC/RT GRILL KNOB (BK)
21	PA010123		VGRC/IC/RT GRILL KNOB (WH)
22	PB010206		VGSC,VGRC,VGRT TOP BURNER KNOB(BK)
22	PB010207		VGSC,VGRC,VGRT TOP BURNER KNOB(WH)
23	PB010208		BEZEL, CHROME PLATE
23	PB010209		BEZEL BRASS
24	PD020033		SRW-NO.10-24X1/2T(23)PH.WFR HD (NKL)
25	PD030005		SELF RETAINING NUT



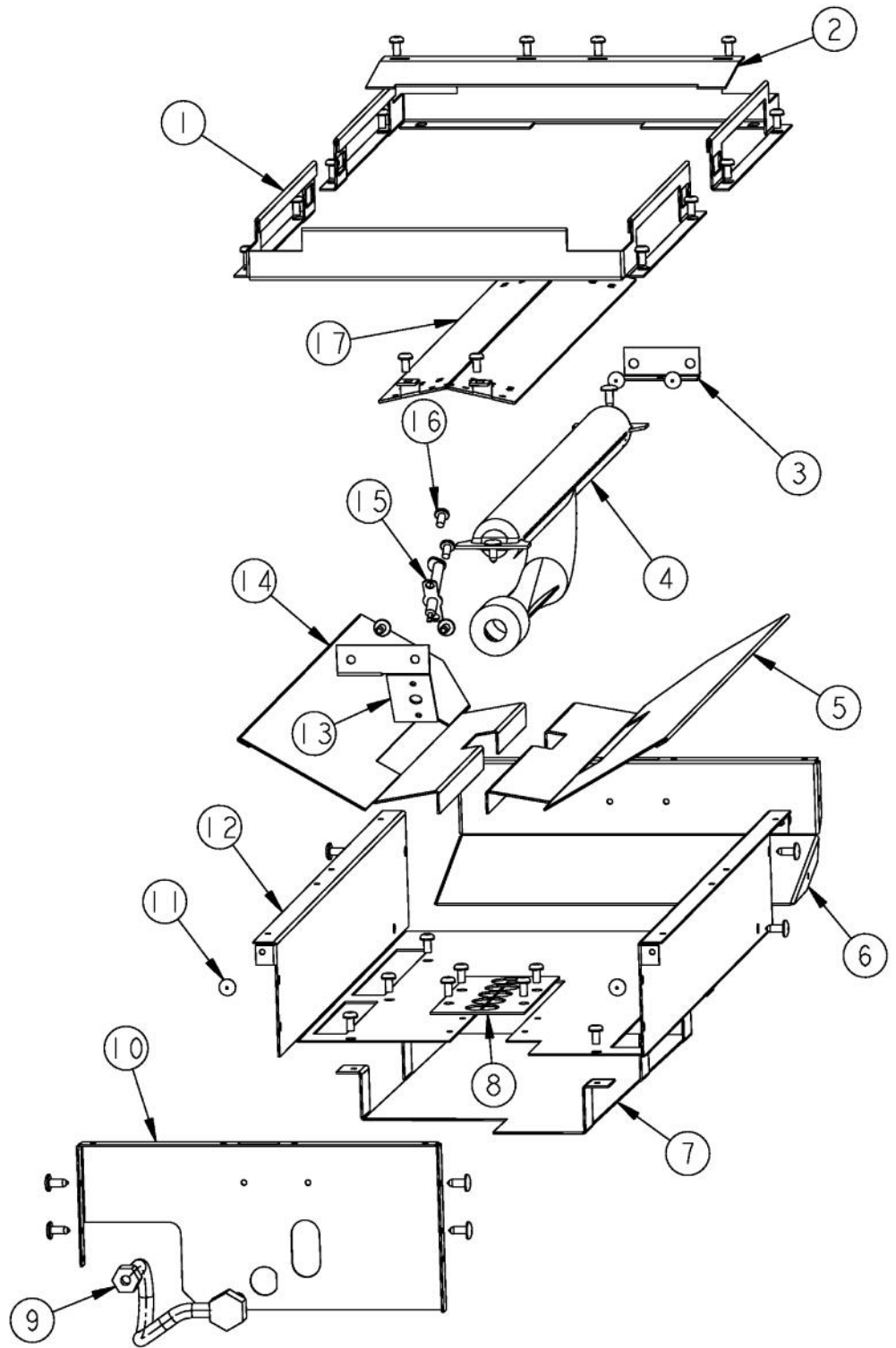
Ref #	Part Number	Qty.	Description
1	G3009156		GRIDDLE ASSEMBLY
2	PA060058		GRILL GRATE - MATT XBKX RE PA060028
	PA060059		GRILL GRATE -MATT XGRX RE PA060029
3	PA060054		SEALED GRATE XBKX
	PA060062		SEALED GRATE GRAY
4	PA080083		D BURNER CAP XMATTE BLACKX
	PA080086		D BURNER CAP XMATTE GRAYX
5	PB050063		BURNER HEAD
6	PA010100		VENTURI D (VDSC3074B)
7	PB050081		BURNER BASE ASSEMBLY (INCLUDES IGNITER)
8	PD020002		10 X 1/2 PH.TR.HD.SMS.
9	B2007851		SIDE TRIM
9	C9307851BR		SIDE TRIM XBRX
10	A2007858		SIDE TRIM BRKT
11	E9109803AL		MAIN TOP ASSY - 4GQ (AL)
11	E9109803BK		48 SEALED COOKTOP 4BGQ XBKX
11	E9109803BT		MAIN TOP ASSY - 4GQ (BT)
11	E9109803CB		MAIN TOP ASSY - 4GQ (CB)
11	E9109803EP		MAIN TOP ASSY - 4GQ (EP)
11	E9109803FG		MAIN TOP ASSY - 4GQ (FG)
11	E9109803GG		MAIN TOP ASSY - 4GQ (GG)
11	E9109803LE		MAIN TOP ASSY - 4GQ (LE)
11	E9109803MJ		MAIN TOP ASSY - 4GQ (MJ)
11	E9109803SG		MAIN TOP ASSY - 4GQ (SG)
11	E9109803VB		MAIN TOP ASSY - 4GQ (VB)
11	E9109803WH		48 SEALED COOKTOP 4BGQ XWHX
12	PD020032		SRW-8(A)X3/8PH.WFR HD 7/16DIAXNICL
13	G9109811AL		GRILL SUPPORT ASSEMBLY - AL
13	G9109811		GRILL SUPT ASSY XBKX
13	G9109811BT		GRILL SUPPORT ASSEMBLY - BT
13	G9109811CB		GRILL SUPPORT ASSEMBLY - CB
13	G9109811EP		GRILL SUPPORT ASSEMBLY - EP
13	G9109811FG		GRILL SUPPORT ASSEMBLY - FG
13	G9109811GG		GRILL SUPPORT ASSEMBLY - GG
13	G9109811LE		GRILL SUPPORT ASSEMBLY - LE
13	G9109811MJ		GRILL SUPPORT ASSEMBLY - MJ
13	G9109811SG		GRILL SUPPORT ASSEMBLY - SG
13	G9109811VB		GRILL SUPPORT ASSEMBLY - VB
13	G9109811WH		GRILL SUPT ASSY XWHX
14	E9101130BK		GRILL SMOKE GENERATOR



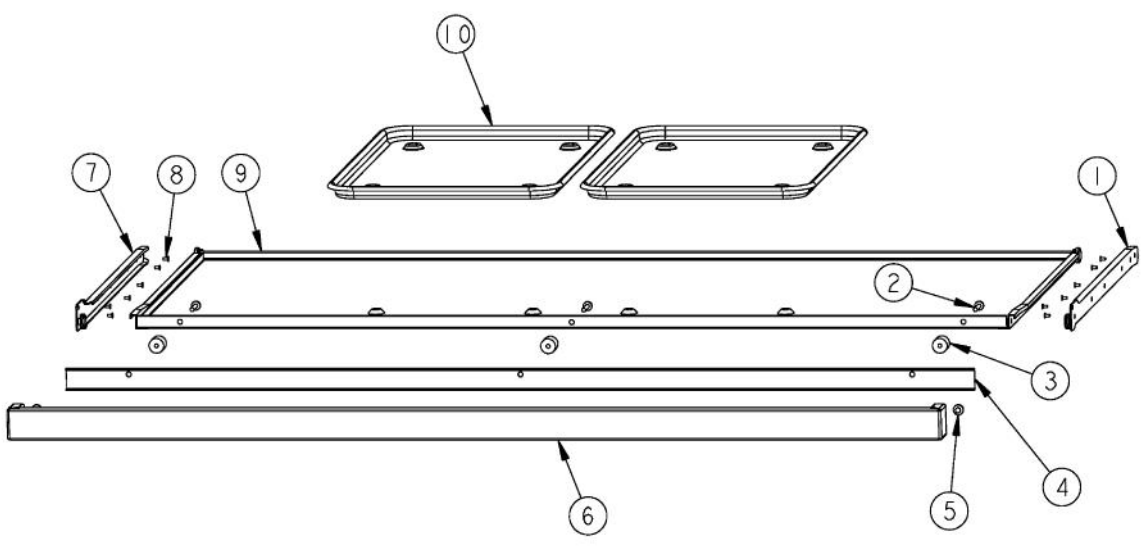
Ref #	Part Number	Qty.	Description
1	PA080075		BODY BURNER D (VDSC3074BSS)
2	G4007440		SUPPLY CORD ASSY
3	A2006747		BURNER BOX SIDE RH (VDSC3074B)
4	B2007856		RT SIDE PANEL
5	PD020002		10 X 1/2 PH.TR.HD.SMS.
6	A20012186		SPARK MODULE BKT (0+6)
7	PA020048		INVENSYS 0+6 RE-IGNITION SPARK MODULE
8	A1008487		SERVICE DISCONNECT BRACKET
9	PE070071		DISCONNECT BLOCK XALX 770027-1
10	PE070070		DISCONNECT BLOCK XALX 770020-1
11	PD020004		10X3/8PH.HD.TYPE 25 REPL PD040125
12	A2006748		BURNER BOX SIDE LH (VDSC3074B)
13	PB070034		INSULATION-TRS-10 1 X 20 X 3`
14	B2007857		LFT SIDE PANEL
15	A20012659		BURNER BOX HEAT SHIELD
16	PA050086		5/8 MALE FLARE FITTING
17	PB020192		10 FLEX TUBING W/CONNECTORS
18	PB020193		16 FLEX TUBING W/CONNECTORS
19	PB040194		SEALED RANGE ORIFICE (NAT)
19	PB040217		L.P. ORIFICE
20	PD020076		6-32 X 3/8 PHILL PAN MS
21	A20011240		48 SEALED BURNER SUPT. (4GQ)



Ref #	Part Number	Qty.	Description
1	PD020002		10 X 1/2 PH.TR.HD.SMS.
2	PB040001		IGNITOR - (ALL RANGES)
3	A2001300		GRIDDLE IGNITOR BRKT
4	PD020004		10X3/8PH.HD.TYPE 25 REPL PD040125
5	A1007861		GRIDDLE VENTURI COVER IC36
6	A20012667		HEAT DIVERTER
7	A2007862		GRIDDLE BOX (VGIC3674G)
8	A20010470		COMPONENT SHIELD IC487
9	PB010004		SINGLE SAFETY VALVE (NAT. GRIDDLE)
10	A2007867		VALVE BRACKET
11	PD010012		VALVE BOLT 1/4-20 UNC-2B 5/16 M.S.
12	PB030007		SHUT OFF VALVE
13	PB040228		FITTING BRASS COMPRESSION NUT
14	PB020116		TUBING - 10 FLEXIBLE 12 & 24
15	PB040192		3/8" CC FERREL (DGCU)
16	A20010657		GRIDDLE BOX FLANGE
17	A2009580		GRIDDLE BURNER BRACKET
18	PB050074		SEALED GRIDDLE BURNER



Ref #	Part Number	Qty.	Description
1	A2007871		SHIELD GRATE BRACKET
2	A20010162		SHIELD BRACE
3	A2001132		REAR GRILL BURNER BRKT (VGRT)
4	PB050077		GRILL BURNER
5	B20010163		HEAT DEFLECTOR
6	A2001855		GRILL BACK - (VGRC605)
7	A2001863		GRILL BTM SHIELD (VGRC605)
8	A1007861		GRIDDLE VENTURI COVER IC36
9	PB020025		TUBING-GRILL (REVISED) REP PB020021
10	A2001631		GRILL BOX FRONT (VGRC)
11	PD020002		10 X 1/2 PH.TR.HD.SMS.
12	A2007863		GRILL BOX
13	A2001633		GRILL FRONT SPARKER BRKT (VGRC)
14	B2009846		HEAT DEFLECTOR
15	PA020028		SPARK IGNITER
16	PD020004		10X3/8PH.HD.TYPE 25 REPL PD040125
17	G30012657		FLAME SHIELD ASSEMBLY



Ref #	Part Number	Qty.	Description
1	PK000008		DRIP TRAY GUIDE - RH
2	PD020049		NO.10 X 1 1/4 PH. PAN HD. T(A)
3	PD040028		BUSHING(.194ID/.750OD/.750LONG)
4	A20010693		DRIP TRAY HANDLE BACK 48
5	PD040004		GROMMET BUMPER
6	G30010697		DRIP TRAY HANDLE ASSY 48
6	G93011461PVD		DRIP TRAY HANDLE ASSY 48 PVD
7	PK000007		DRIP TRAY GUIDE - LH (VGRT)
8	PC040010		POP RIVET
9	G30013336		48 DRIP TRAY ASSY. 6Q &4GQ
10	PB080061		GREASE PAN

*No Image
Available*

Ref #	Part Number	Qty.	Description
1	G4001682		WIRE ASSY XALX 55
2	G4001680		SPRK MDLE-TOP BRNR VLVE SWITCH (40)
3	G4001587		SPARK MODULE-TOP BRNR SPARKER (25)
4	G4001593		SPARK MODULE-TOP BRNR SPARKER (16)
5	G4001562		DUAL SAFETY VALVE - JUMPER (10)
6	G4005484		SPARK IGNITOR WIRE - 34

*No Image
Available*

Ref #	Part Number	Qty.	Description
1	G4001704		WIRING HARNES (NEU) (VGRT48)

*No Image
Available*

Ref #	Part Number	Qty.	Description
1	G4001701		WIRING HARNESS (LINE) (VGRT48)