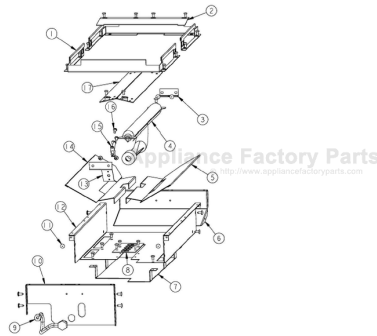


This Owner's Manual is provided and hosted by [Appliance Factory Parts](http://www.appliancefactoryparts.com).



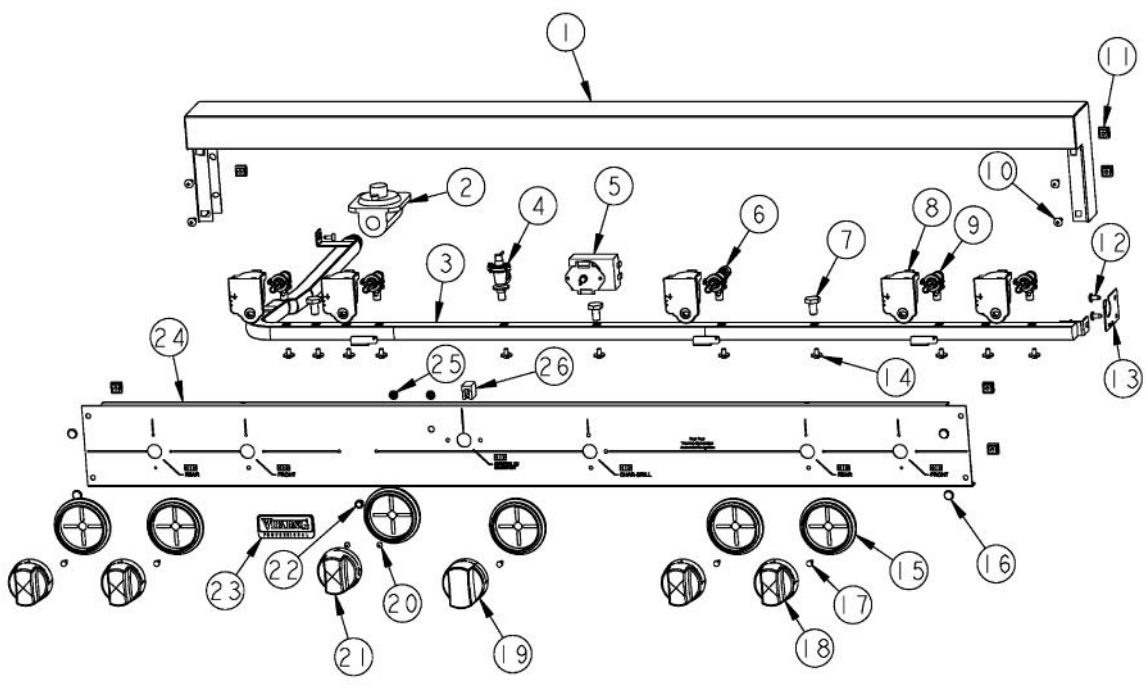
# VIKING VGRT482-4GQ AFTER\_07-09-07 Owner's Manual

[Shop genuine replacement parts for VIKING  
VGRT482-4GQ AFTER\\_07-09-07](#)

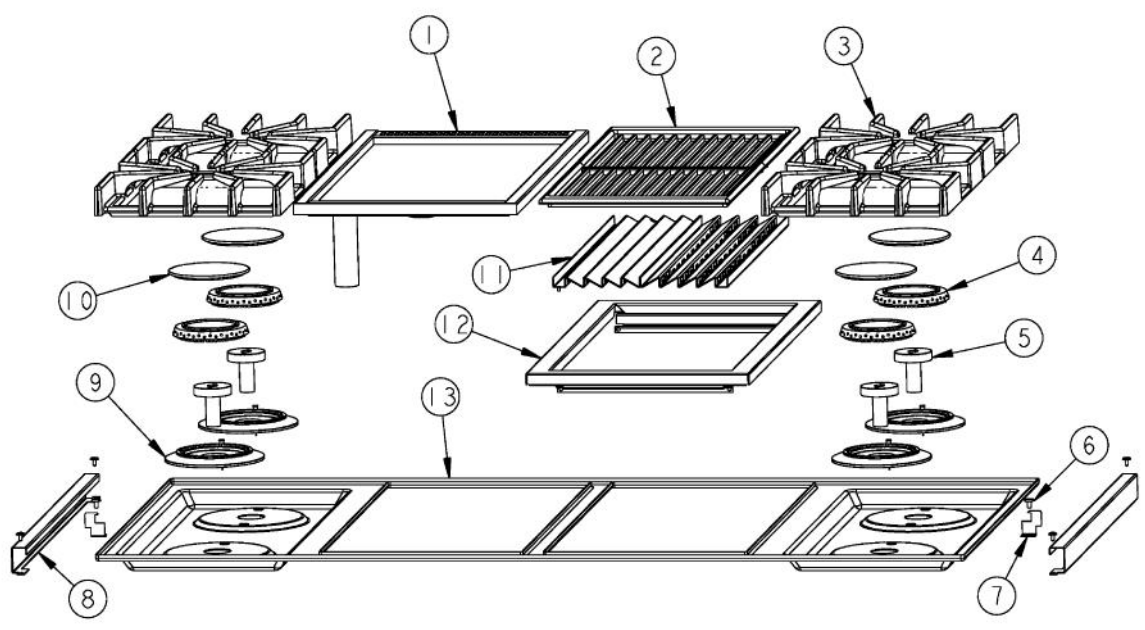


[Find Your VIKING Range Hoods Parts - Select From 411 Models](#)

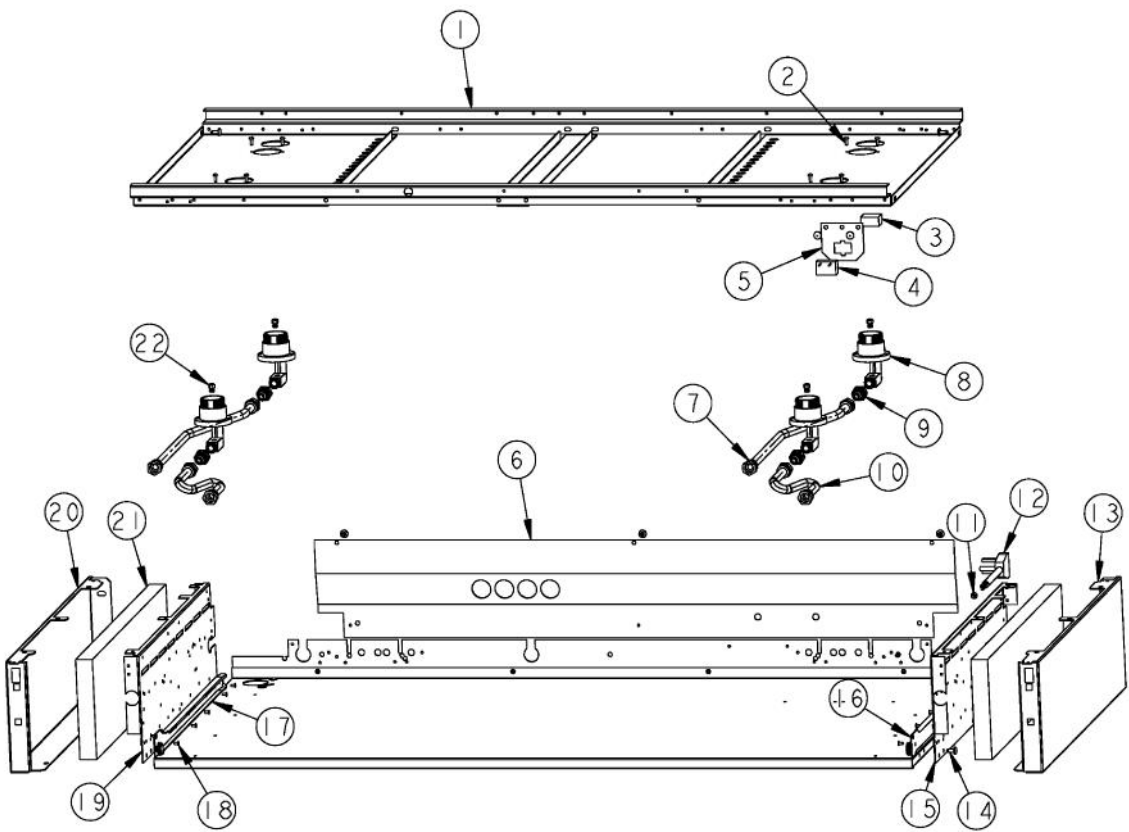
----- Manual continues below -----



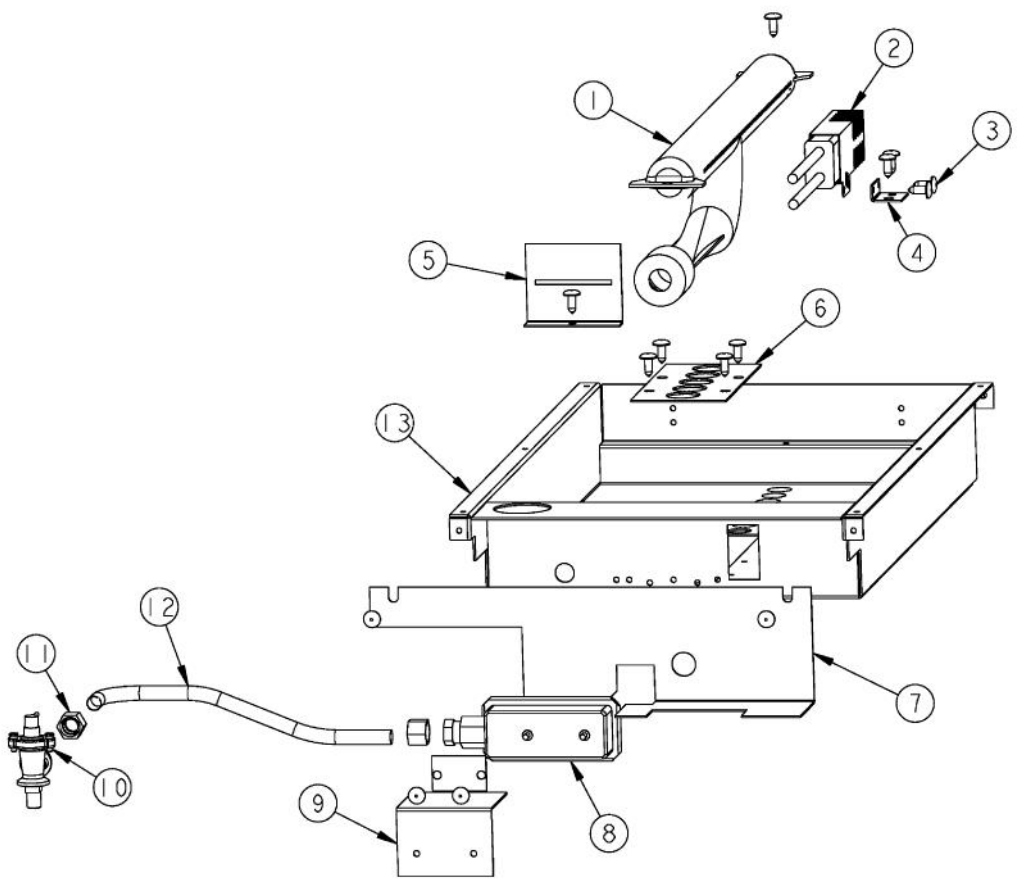
Ref #	Part Number	Qty.	Description
1	G3009843	1	SEALED LANDING LEDGE ASSY 48
2	PA070001	1	PRESSURE REGULATOR (NAT.)
3	PA050115	1	UNIVERSAL 48 MANIFOLD
	002569-000	1	UNIVERSAL 48 MANIFOLD
4	PB030007	1	SHUT OFF VALVE
5	PB010264	1	GRIDDLE THERMOSTAT
6	PA010159	1	SUB TO 003536-000 - RANGE GRILL VALVE
7	002884-000	5	MANIFOLD PLUG
8	PA020058	5	IRIS SINGLE SPARK MODULE
9	PA010157	4	SUB TO 003515-000 - RANGE TOP BURNER VALVE
10	PD010003	4	10-24 X 1/2 PH.TR.HD.SERD.M.S.
11	PD030005	8	SELF RETAINING NUT
12	PD020002	24	10 X 1/2 PH.TR.HD.SMS.
13	A1001138	1	MANIFOLD BRKT
14	PD010012	11	VALVE BOLT 1/4-20 UNC-2B 5/16 M.S.
15	PB010208	5	BEZEL, CHROME PLATE
	PB010209	5	BEZEL BRASS
16	PD020033	4	SRW-NO.10-24X1/2T(23)PH.WFR HD (NKL)
17	PD020067	3	NO.6 X 3/8 PAN PHIL. TEK SS
18	PB010206	4	VGSC,VGRC,VGRT TOP BURNER KNOB(BK)
	PB010207	4	VGSC,VGRC,VGRT TOP BURNER KNOB(WH)
19	PA010122	1	VGRC/IC/RT GRILL KNOB (BK)
	PA010123	1	VGRC/IC/RT GRILL KNOB (WH)
20	PD020006	9	NO.6-32 X 1/4 PH.PAN HD. T(F)
21	PB010103	1	GRIDDLE KNOB N/S XBKX
	PB010104	1	GRIDDLE KNOB N/S XWHX
22	PE050023	1	OVEN IND. LIGHT (LENS & BEZEL)
23	PE010142	1	3 LOGO XBKXXCHROME
	PE010143	1	3 LOGO BK/BR
	PE010144	1	3 LOGO XWHXCHROME
	PE010145	1	LOGO - WH / BR
24	B9202379	1	CTRL PAN- (VGRT480-4GQ )XSLK SCR
	C9202379AL	1	CONTROL PANEL VGRT480-4GQ XALX SILK SCR
	C9202379BK	1	CTRL PAN- XBKX (VGRT480-4GQ )XSLK
	C9202379BT	1	CONTROL PANEL VGRT480-4GQ XBTX SILK SCR
	C9202379BU	1	CONTROL PANEL VGRT480-4GQ XBUX SILK SCR
	C9202379CB	1	CONTROL PANEL VGRT480-4GQ XCBX SILK SCR
	C9202379EP	1	CONTROL PANEL VGRT480-4GQ XEPX SILK SCR
	C9202379FG	1	CONTROL PANEL VGRT480-4GQ XFGX SILK SCR
	C9202379GG	1	CONTROL PANEL VGRT480-4GQ XGGX SILK SCR
	C9202379LE	1	CONTROL PANEL VGRT480-4GQ XLEX SILK SCR
	C9202379MJ	1	CONTROL PANEL VGRT480-4GQ XMJX SILK SCR
	C9202379SG	1	CONTROL PANEL VGRT480-4GQ XSGX SILK SCR
	C9202379VB	1	CONTROL PANEL VGRT480-4GQ XVBX SILK SCR
	C9202379WH	1	CTRL PAN- XWHX (VGRT480-4GQ )XSLK S
25	PD030006	2	CAPPED WASHER PAL NUT
26	PE050024	1	OVEN IND. LIGHT (LIGHT HOUSING)



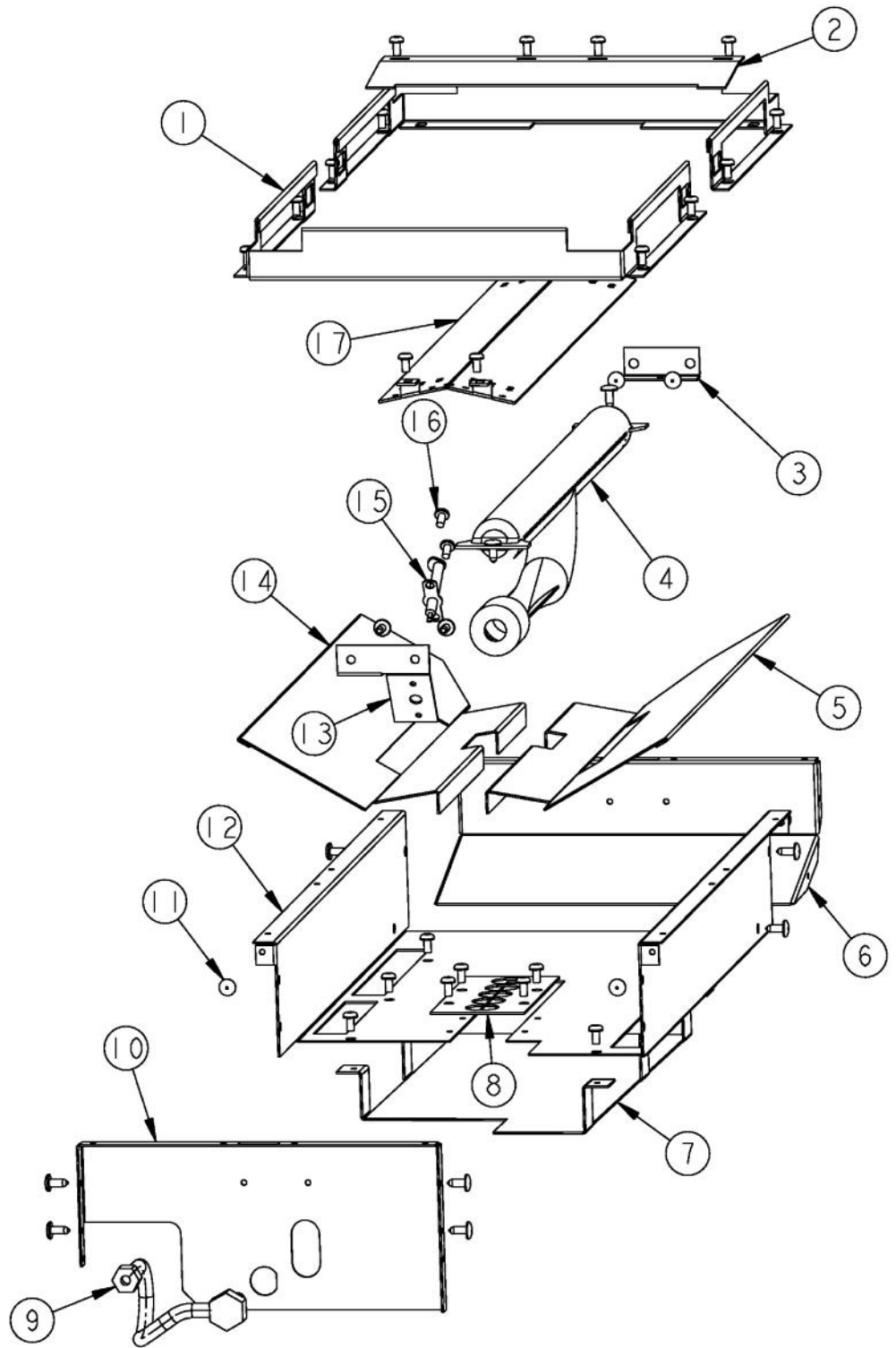
Ref #	Part Number	Qty.	Description
1	G3009156	1	GRIDDLE ASSEMBLY
2	PA060058	1	GRILL GRATE - MATT XBKX RE PA060028
3	PA060054	4	SEALED GRATE XBKX
4	PB050063	4	BURNER HEAD (BEFORE 12/18/07)
	001386-000	4	BURNER HEAD (AFTER 12/18/07)
5	PA010100	4	VENTURI D (VDSC3074B) (BEFORE 12/18/07)
6	PD020033	4	SRW-NO.10-24X1/2T(23)PH.WFR HD (NKL)
7	A2007858	2	SIDE TRIM BRKT
8	B2007851	1	SIDE TRIM
	C9307851BR	1	SIDE TRIM XBRX
9	PB050081	4	BURNER BASE ASSEMBLY (INCLUDES IGNITER) - BEFORE 12/18/07
	003322-040	4	SEALED BURNER BASE, TURNED FINISH (INCLUDES IGNITER) - AFTER 12/18/07
10	PA080083	4	D BURNER CAP XMATTE BLACKX
11	E9101130BK	1	GRILL SMOKE GENERATOR
12	G9109808BK	1	GRILL GRATE SUPPORT - BK
	G9109808WH	1	GRILL SUPPORT ASSY XWHX
13	E9109803BK	1	48 SEALED COOKTOP 4BGQ XBKX
	E9109803WH	1	48 SEALED COOKTOP 4BGQ XWHX
NI	003606-000	4	NO.6-32 SOCKET HEAD SCREW (AFTER 12/17/07)



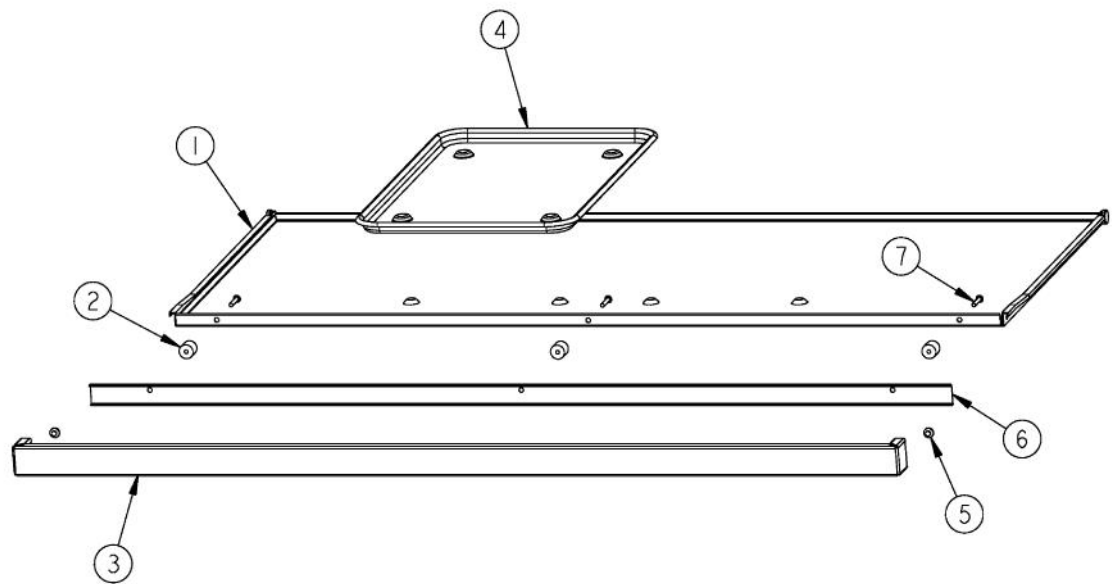
Ref #	Part Number	Qty.	Description
1	A20011240	1	48 SEALED BURNER SUPT. (4GQ)
2	PD020076	8	6-32 X 3/8 PHILL PAN MS
3	PE070071	1	DISCONNECT BLOCK XALX 770027-1
4	000573-000	1	POWER JUMPER WIRE
5	A1008487	1	SERVICE DISCONNECT BRACKET
6	A20012659	1	BURNER BOX HEAT SHIELD
7	PB020193	1	16 FLEX TUBING W/CONNECTORS
8	PA080075	4	BODY BURNER D (VDSC3074BSS) (BEFORE 12/18/07)
	001394-042	4	15000 BTU NAT JETHOLDER (AFTER 12/18/07)
	001394-043	4	13500 BTU LP JETHOLDER (AFTER 12/18/07)
9	PA050086	4	5/8 MALE FLARE FITTING
10	PB020192	4	10 FLEX TUBING W/CONNECTORS
11	PD020010	1	10 X 3/8 GREEN GROUNDING SCREW
12	PE070128	1	SUPPLY CORD (VGRT/SC/SS/RC)
13	002152-000	1	SIDE PANEL, RH
14	PD020002	24	10 X 1/2 PH.TR.HD.SMS.
15	A2006747	1	BURNER BOX SIDE RH (VDSC3074B)
16	PK000008	1	DRIP TRAY GUIDE - RH
17	PK000007	1	DRIP TRAY GUIDE - LH (VGRT)
18	PC040010	6	POP RIVET
19	A2006748	1	BURNER BOX SIDE LH (VDSC3074B)
20	002153-000	1	SIDE PANEL, LH
21	PB070034	1	INSULATION-TRS-10 1 X 20 X 3'
22	PB040194	4	SEALED RANGE ORIFICE (NAT) (BEFORE 12/18/07)
	001396-040	4	15K NG ORIFICE (AFTER 12/18/07)
	PB040217	4	L.P. ORIFICE (BEFORE 12/18/07)
	001396-044	4	13.5K LP ORIFICE (AFTER 12/18/07)



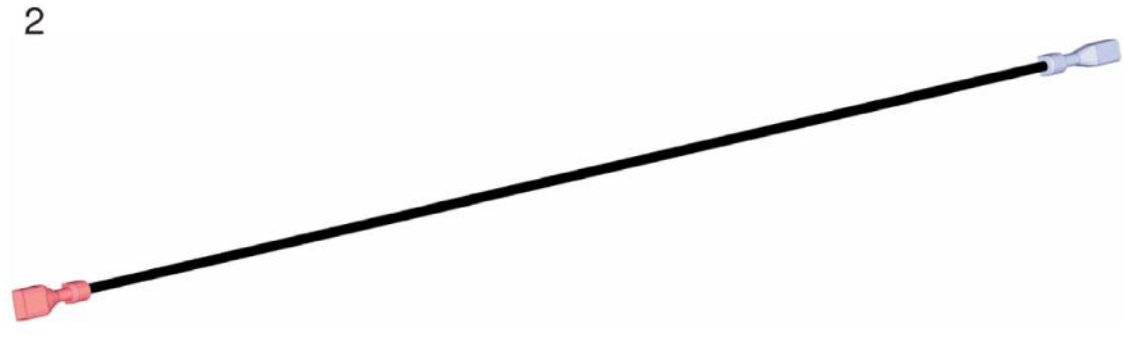
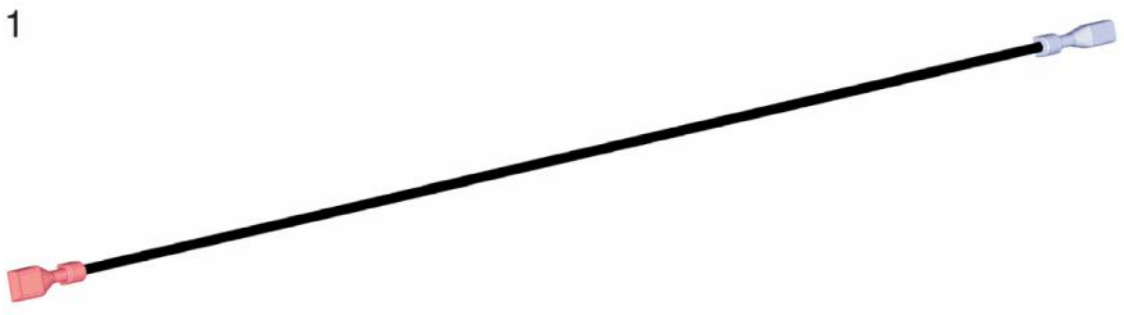
Ref #	Part Number	Qty.	Description
1	PB050074	1	SEALED GRIDDLE BURNER
2	PB040001	1	IGNITOR - (ALL RANGES)
3	PD020002		10 X 1/2 PH.TR.HD.SMS.
4	A2001300	1	GRIDDLE IGNITOR BRKT
5	A2009580	1	GRIDDLE BURNER BRACKET
6	A1007861	1	GRIDDLE VENTURI COVER IC36
7	A20010470	1	COMPONENT SHIELD IC487
8	PB010004	1	SINGLE SAFETY VALVE (NAT. GRIDDLE)
9	A2007867	1	VALVE BRACKET
10	PB030007	1	SHUT OFF VALVE
11	PB040192	2	3/8" CC FERREL (DGCU)
	PB040213	2	3/8 COMPRESSION NUT (DGCU)
12	PB020116	1	TUBING - 10 FLEXIBLE 12 & 24
13	A2007862	1	GRIDDLE BOX (VGIC3674G)



Ref #	Part Number	Qty.	Description
1	A2007871	1	SHIELD GRATE BRACKET
2	A20010162	1	SHIELD BRACE
3	A2001132	1	REAR GRILL BURNER BRKT (VGRT)
4	PB050077	1	GRILL BURNER
5	B20010163	1	HEAT DEFLECTOR
6	A2001855	1	GRILL BACK - (VGRC605)
7	A2001863	1	GRILL BTM SHIELD (VGRC605)
8	A1007861	1	GRIDDLE VENTURI COVER IC36
9	PB020025	1	TUBING-GRILL (REVISED) REP PB020021
10	A2001631	1	GRILL BOX FRONT (VGRC)
11	PD020002	12	10 X 1/2 PH.TR.HD.SMS.
12	A2007863	1	GRILL BOX
13	A2001633	1	GRILL FRONT SPARKER BRKT (VGRC)
14	B2009846	1	HEAT DEFLECTOR
15	PA020028	1	SPARK IGNITER
16	PD020004	2	10X3/8PH.HD.TYPE 25 REPL PD040125
17	G30012657	1	FLAME SHIELD ASSEMBLY

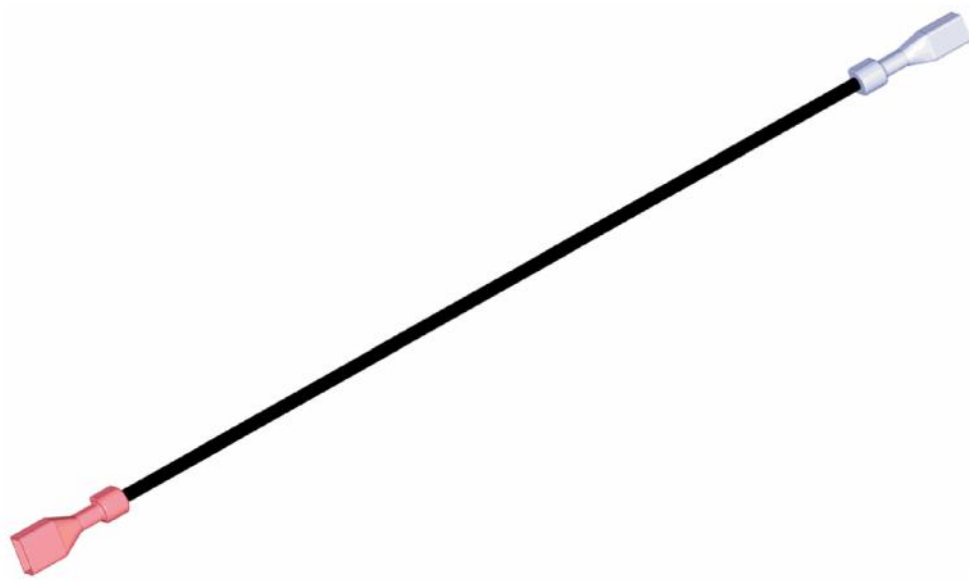


Ref #	Part Number	Qty.	Description
1	G30013336	1	48 DRIP TRAY ASSY. 6Q &4GQ
2	PD040028	3	BUSHING(.194ID/.750OD/.750LONG)
3	G30010697	1	DRIP TRAY HANDLE ASSY 48
	G93011461PVD	1	DRIP TRAY HANDLE ASSY 48 PVD
4	PB080061	1	GREASE PAN
5	PD040004	2	GROMMET BUMPER
6	A20010693	2	DRIP TRAY HANDLE BACK 48
7	PD020079	2	NO.10 X 1 1/4 PH. PAN HD. T(A) NYLOK

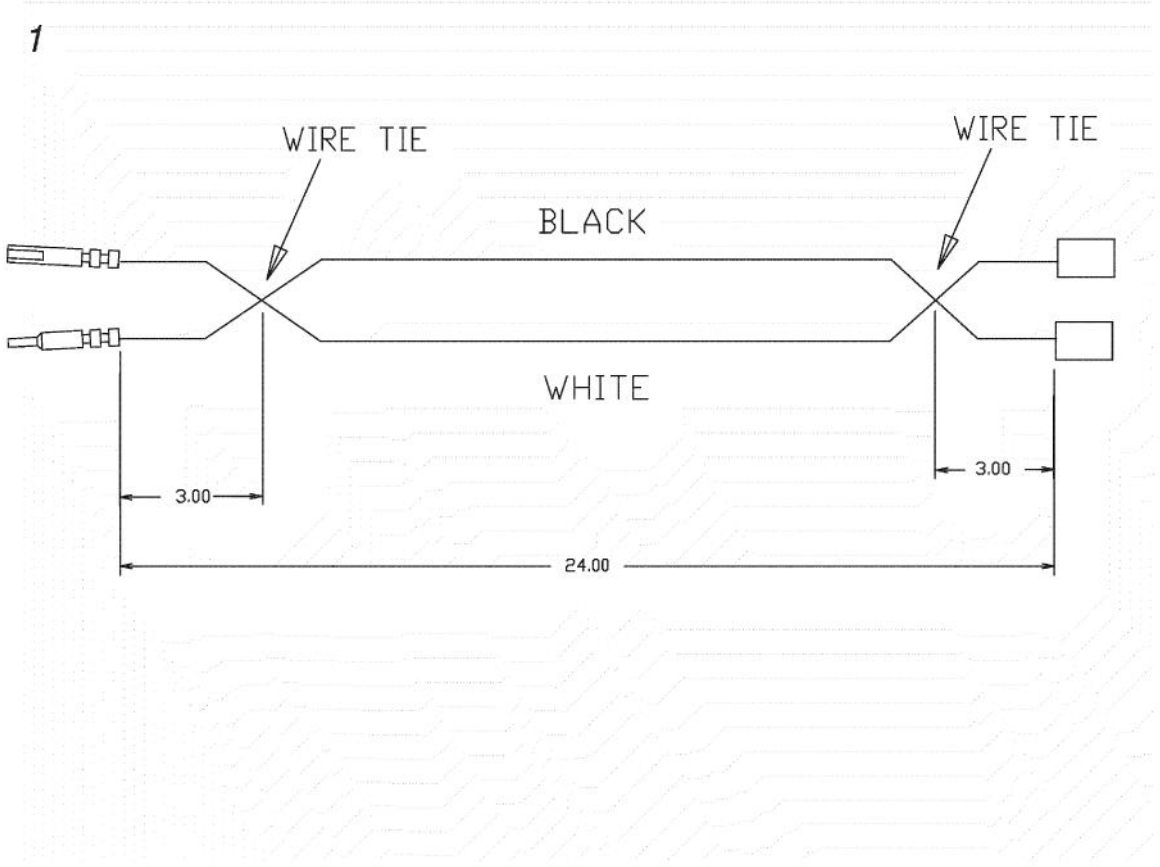


Ref #	Part Number	Qty.	Description
1	000647-000	1	IRIS IGNITOR WIRE, FRONT BURNER
2	000648-000	1	IRIS IGNITOR WIRE, BACK BURNER

1



<u>Ref #</u>	<u>Part Number</u>	<u>Qty.</u>	<u>Description</u>
1	000649-000	1	IRIS IGNITOR WIRE, GRILL



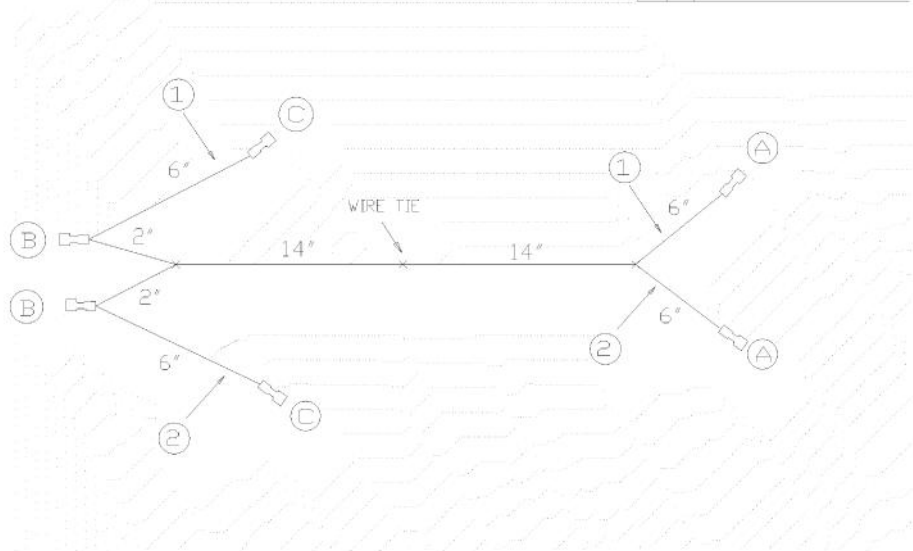
Ref #	Part Number	Qty.	Description
1	000837-000	1	VGRT SUPPLY CORD JUMPER (BEFORE 10/4/11)
NI	027347-000		SUPPLY CORD JUMPER (ON OR AFTER 10/4/11)

1

① = BLACK WIRE

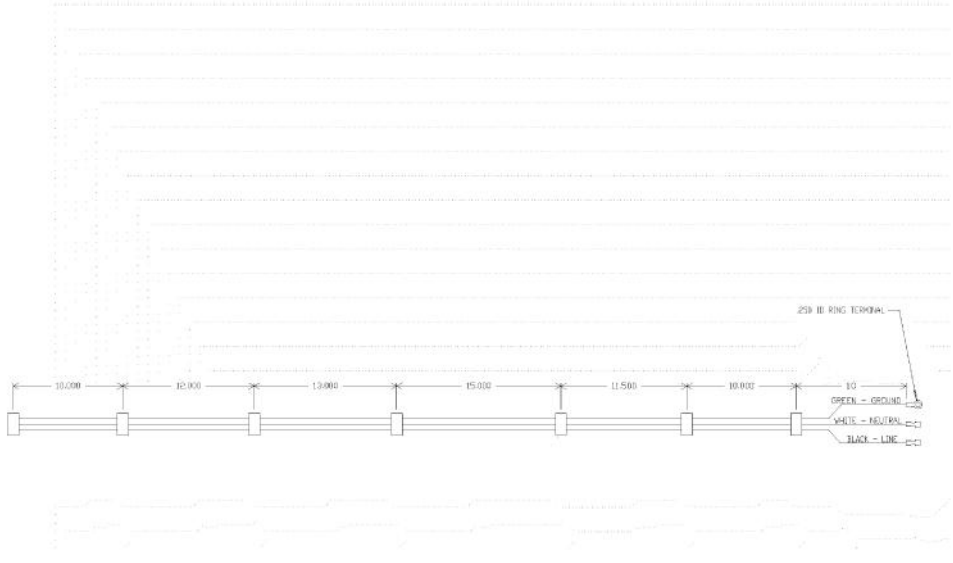
② = WHITE WIRE

QTY	DESCRIPTION
A 2	250 X .032 INSULATED FEMALE QUICK CONNECT
B 2	250 X .032 INSULATED FEMALE QUICK CONNECT
C 2	167 X .032 INSULATED FEMALE QUICK CONNECT



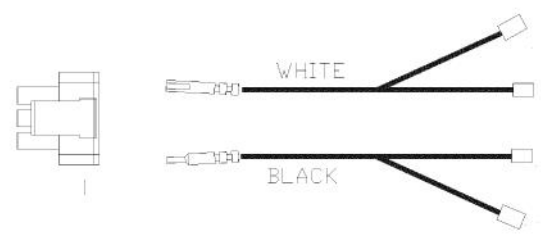
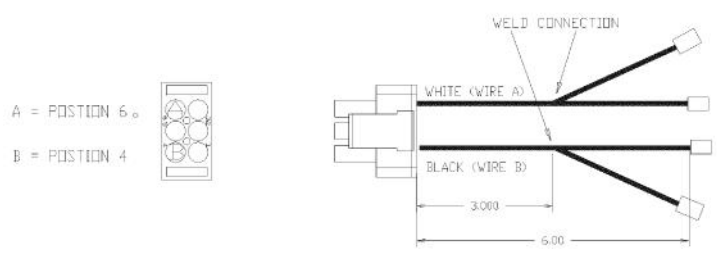
Ref #	Part Number	Qty.	Description
1	000879-000	1	GRIDDLE HARNESS W/IRIS

1



Ref #	Part Number	Qty.	Description
1	PE070891	1	IRIS HARNESS - 48

1



Ref #	Part Number	Qty.	Description
1	000878-000	1	IRIS POWER JUMPER W/GRIDDLE