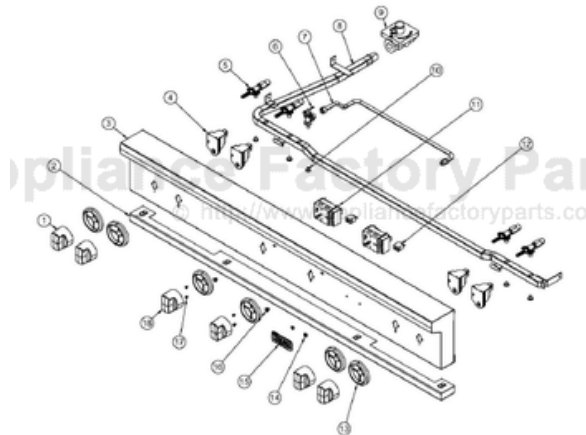


This Owner's Manual is provided and hosted by [Appliance Factory Parts](http://Appliance Factory Parts).



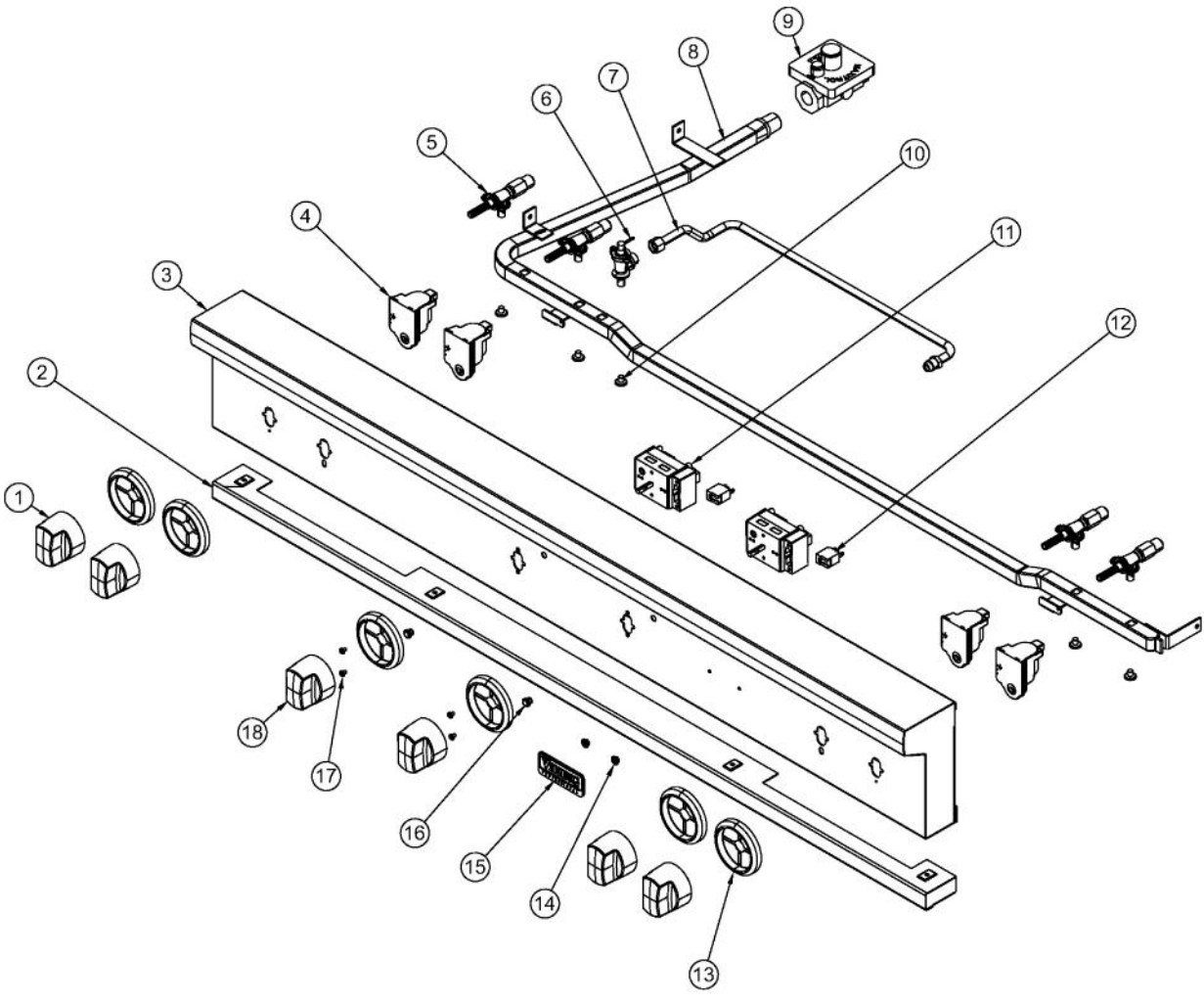
# VIKING VGRT548-4G Owner's Manual

[Shop genuine replacement parts for VIKING VGRT548-4G](#)

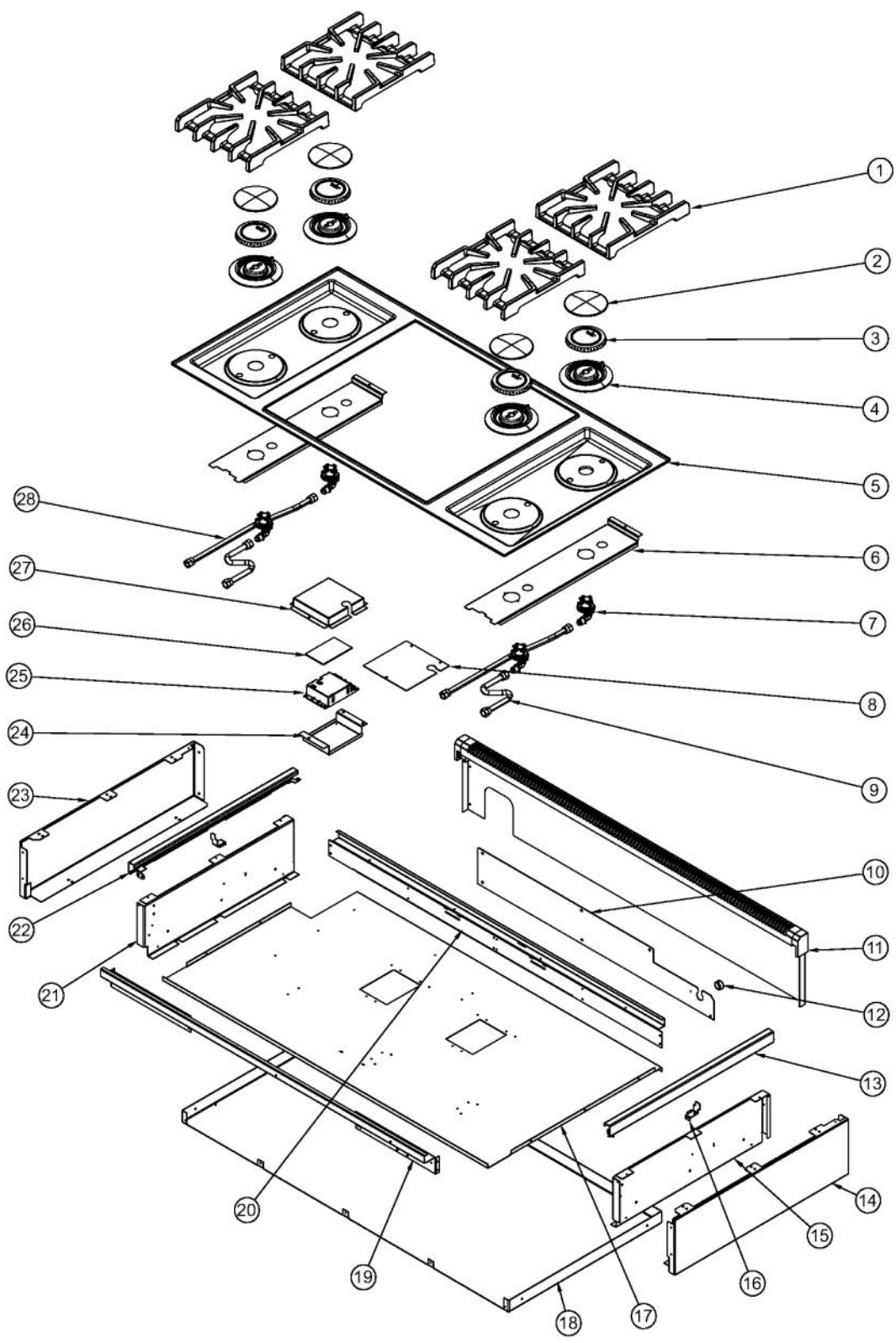


[Find Your VIKING Range Hoods Parts - Select From 411 Models](#)

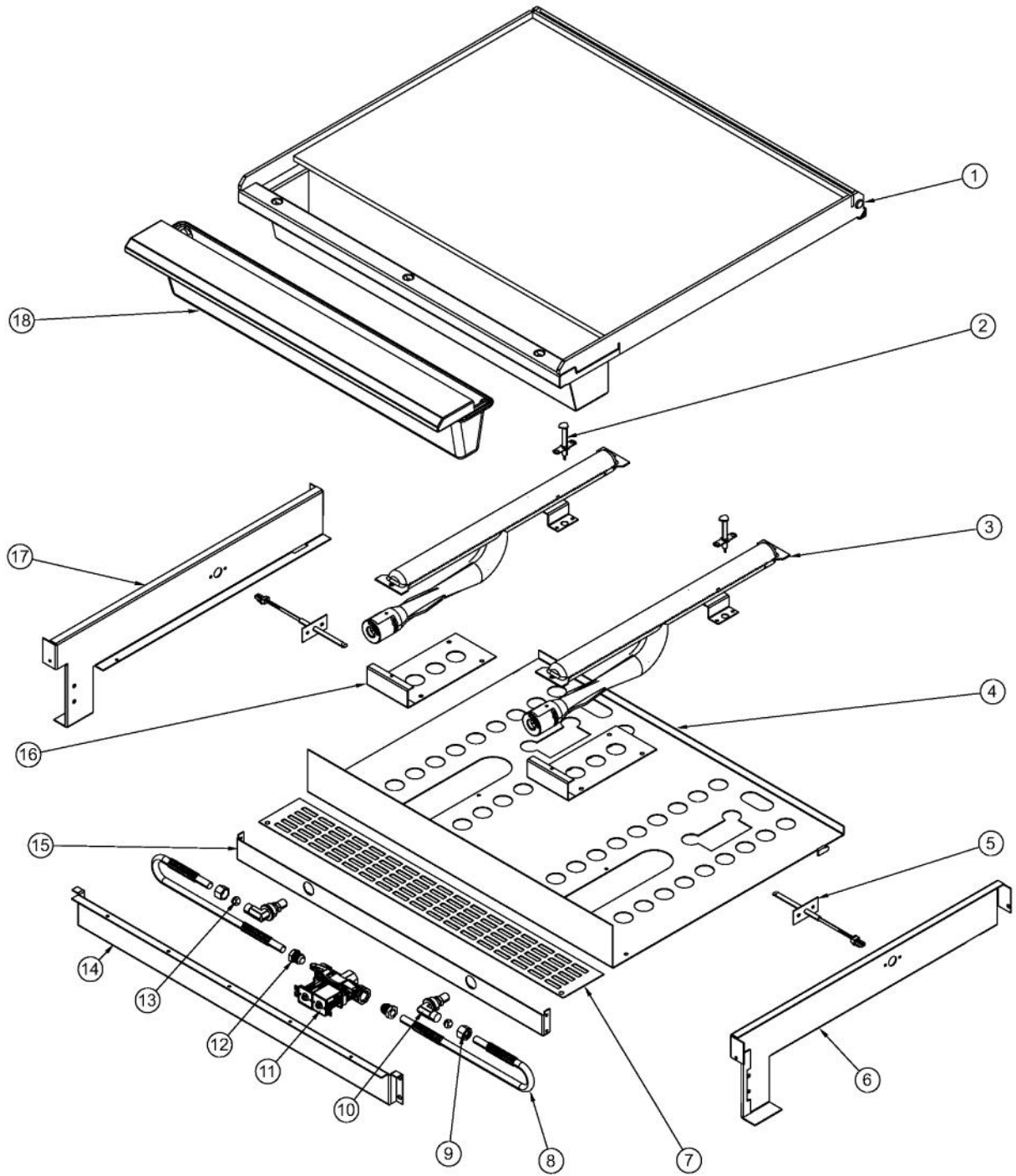
----- Manual continues below -----



Ref #	Part Number	Qty.	Description
1	005269-000	4	RANGE TOP BURNER KNOB-BRUSHED, SSS
2	011717-000	1	TRIM ASM
3	025950-2307	1	PANEL, CNTRL, ASM VGRT548-4G W/GRAPHICS
4	PA020058	4	IRIS SINGLE SPARK MODULE
5	004507-000	4	SUB TO 006313-000 - VALVE,BRS,ASM, TOP,BURNER, FLRE,...
6	PB030007	1	SHUT OFF VALVE
7	026037-000	1	TUBING, GRIDDLE VALVE
8	026070-000	1	MANIFOLD, DF 484G
9	PA070003	1	PRESSURE REGULATOR (NAT.)
9	013386-000	1	LP PRESSURE REGULATOR
10	PD010012	5	VALVE BOLT 1/4-20 UNC-2B 5/16 M.S.
11	026469-000	2	THERMOSTAT, 2-POS, 91 SHAFT
12	PE050024	2	OVEN IND. LIGHT (LIGHT HOUSING)
13	PB010304	6	KNOB BEZEL
14	PD030006	2	CAPPED WASHER PAL NUT
15	PE010142	1	3 LOGO XBKXXCHROME
15	PE010143	1	3 LOGO BK/BR
16	PE050023	2	OVEN IND. LIGHT (LENS & BEZEL)
17	PD010028	4	BOLT M 4X5
18	006570-000	2	KNOB, GRDL/(LH OVEN), ASM, PVD, NO.3, SSS
NI	PD020046	4	NO.8 X 1/2 SCREWS



Ref #	Part Number	Qty.	Description
1	007323-000	4	BURNER GRATE
2	PA080083	4	D BURNER CAP XMATTE BLACKX
3	006706-000	4	B6 REV SEALED BURNER
4	003322-041	4	SEALED BURNER BASE, PAINTED FINISH
5	E2109804	1	48 SEALED TOP
6	002923-000	2	BURNER MODULE SUPPORT
7	001394-042	4	15000 BTU NAT JETHOLDER
7	001394-046	4	12.5 K BTU LP JETHOLDER
8	008904-000	1	BURNER BOX, DSI COVER
9	PB020192	2	10 FLEX TUBING W/CONNECTORS
10	014327-000	1	RANGETOP, PANEL, BACK, VGRT548
11	008831-000	1	ISLAND TRIM, ASM, 48 CUSTOM
12	PD040005	1	SNAP BUSHING - 7/8
13	002920-000	1	SIDE TRIM, RH - STAINLESS
14	008100-000	1	PANEL, RH RANGETOP
15	002755-000	1	BURNER BOX SIDE, RH
16	004021-000	2	SUPPORT, TRIM, SIDE
17	006240-000	1	BURNER BOX BOTTOM, FLAT, VDSC548
18	014324-000	1	RANGETOP, PANEL, BTM, VGRT548
19	025758-000	1	SUPPORT, FRONT
20	008464-000	1	BRNR BOX, REAR, FLAT, SUPPORT, VDSC5484GQ 48
21	003481-000	1	BURNER BOX SIDE, LH
22	003649-000	1	SIDE TRIM, LH - STAINLESS
23	008101-000	1	PANEL, LH, RANGETOP
24	024301-000	1	BOARD, DSI, CRADLE
25	023651-000	1	DSI120 LONG PURGE
26	PB070191	1	INSULATION PAD
27	024305-000	1	COVER, DSI, 6G
28	PB020193	2	16 FLEX TUBING W/CONNECTORS



Ref #	Part Number	Qty.	Description
1	040248-000	1	24 GRIDDLE, ASM
2	PA020028	2	SPARK IGNITER
3	013888-000	2	GRIDDLE, BURNER, ASM, NAT, W/IGNITOR BRACKET
3	013889-000	2	GRIDDLE, BURNER, ASM, LP, W/IGNITOR BRACKET
4	026114-000	1	GRIDDLE, BOX, BTM, 24
5	007008-000	2	RTD PROBE
6	016295-000	1	SIDE, GRILL BOX, RH
7	027489-000	1	SHIELD, WIRE
8	PB020126	2	3/8` S.S. FLEX TUBING 15`` (DGCU)
9	PB040051	2	3/8CC FEMALE COMP. FITTING
10	PB040190	2	90 DEGREE ORIFICE FITTING NO.50 NAT
10	002513-000	2	90 DEGREE ORIFICE FITTING NO.57 LP
11	009112-000	1	VALVE, SOL, DOUBLE
12	PB040050	2	3/8CC MALE COMP. FITTING W/FERRULE
13	PB040049	2	3/8 XBRX FERRULE (FOR 3/8CC FEMALE
14	026036-000	1	BRACE, SUPPORT, FRONT
15	026113-000	1	GRIDDLE ORIFICE BRKT
16	006785-000	2	GRIDDLE, BOX, VENTURI, COVER
17	016293-000	1	GRIDDLE SUPPORT, LEFT
18	025750-000	1	TROUGH, GRIDDLE, ASM, 24
NI	PD020010	1	10 X 3/8 GREEN GROUNDING SCREW

*No Image  
Available*

Ref #	Part Number	Qty.	Description
NI	027705-000	1	WIRING DIAGRAM
NI	027705-050	1	WIRING DIAGRAM (FR)
NI	PE070128	1	SUPPLY CORD (VGRT/SC/SS/RC)
NI	027237-000	1	SUPPLY CORD JUMPER
NI	000573-000	1	POWER JUMPER WIRE
NI	024374-000	1	HARNESS, WRG, GRIDDLE
NI	PE0780071	1	DISCONNECT BLOCK
NI	000647-000	4	IRIS IGNITOR WIRE, FRONT BURNER
NI	006766-000	4	IRIS IGNITOR WIRE, BACK BURNER
NI	013408-000	2	GRIDDLE HEADER
NI	PE070890	1	IRIS HARNESS - 36
NI	012828-000	1	HARNESS, GROUND, DSI, VDSC536-4G
NI	031434-000	1	WIRE ASSEMBLY, BLACK
NI	031435-000	1	WIRE ASSEMBLY, WHITE