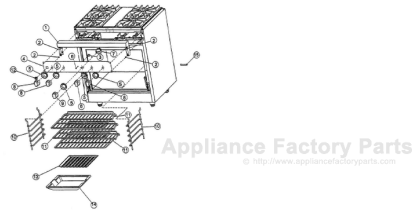


This Owner's Manual is provided and hosted by [Appliance Factory Parts](#).



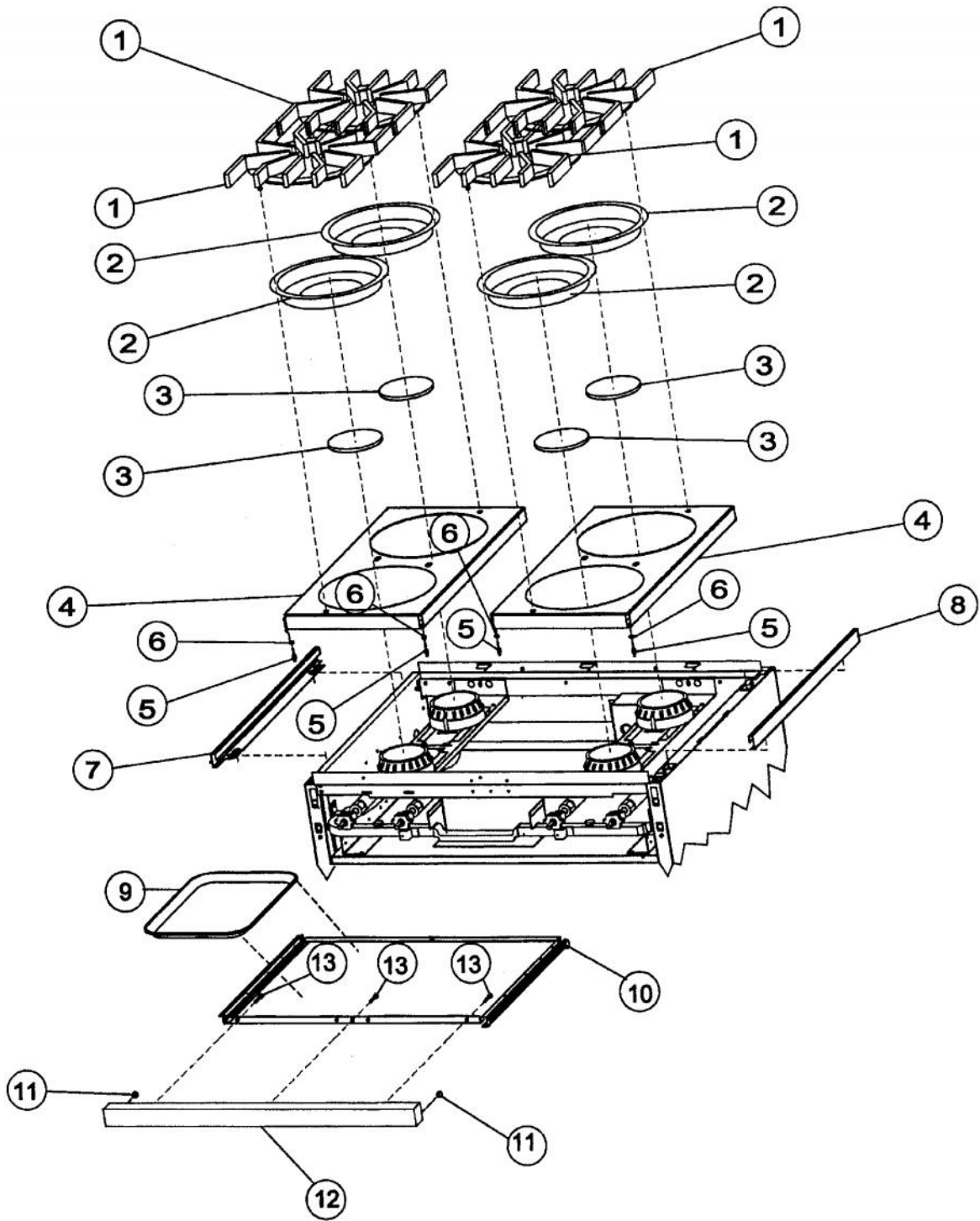
# VIKING VGIC365\_1 Owner's Manual

[Shop genuine replacement parts for VIKING VGIC365\\_1](#)

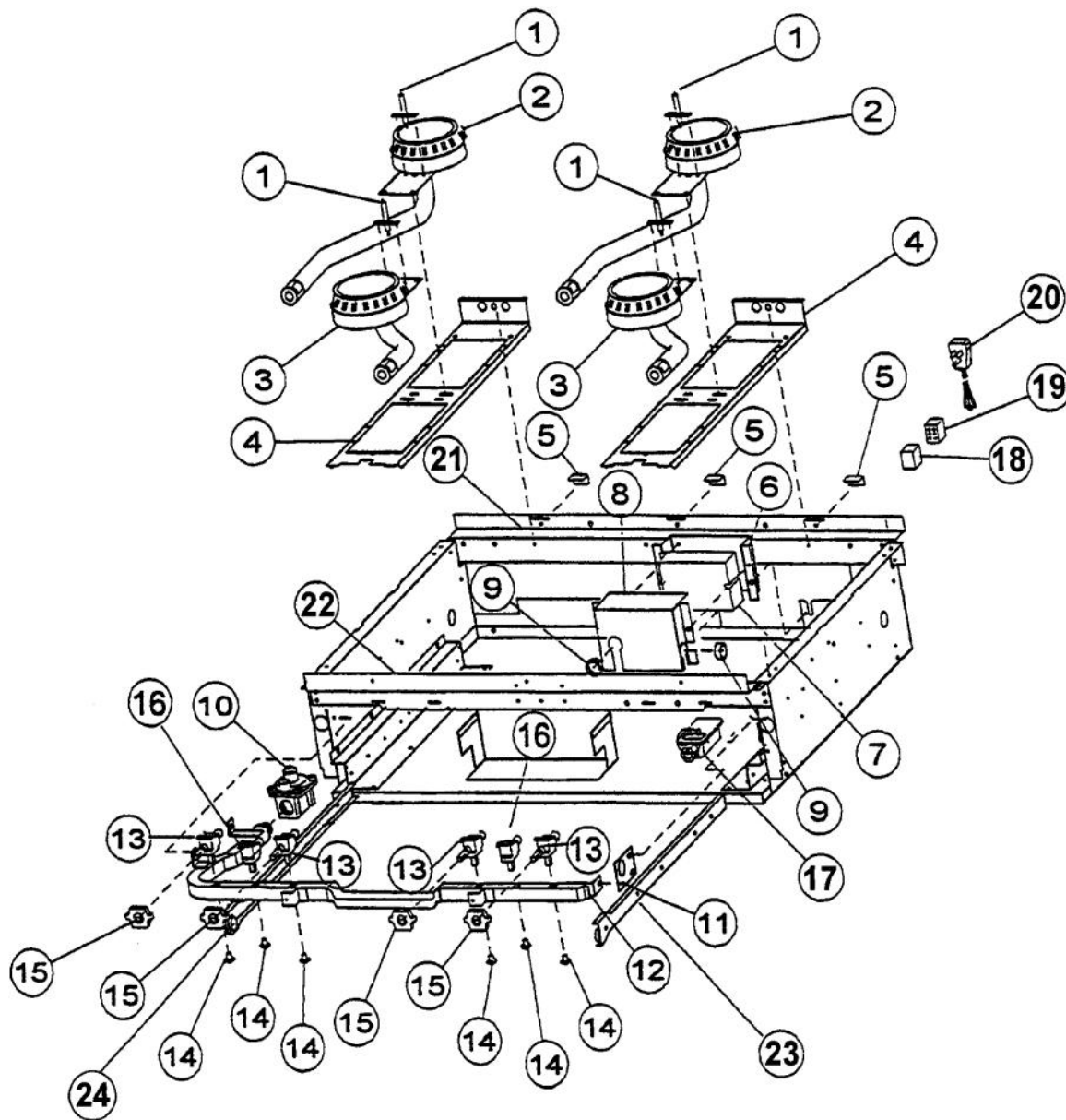


[Find Your VIKING Range Hoods Parts - Select From 411 Models](#)

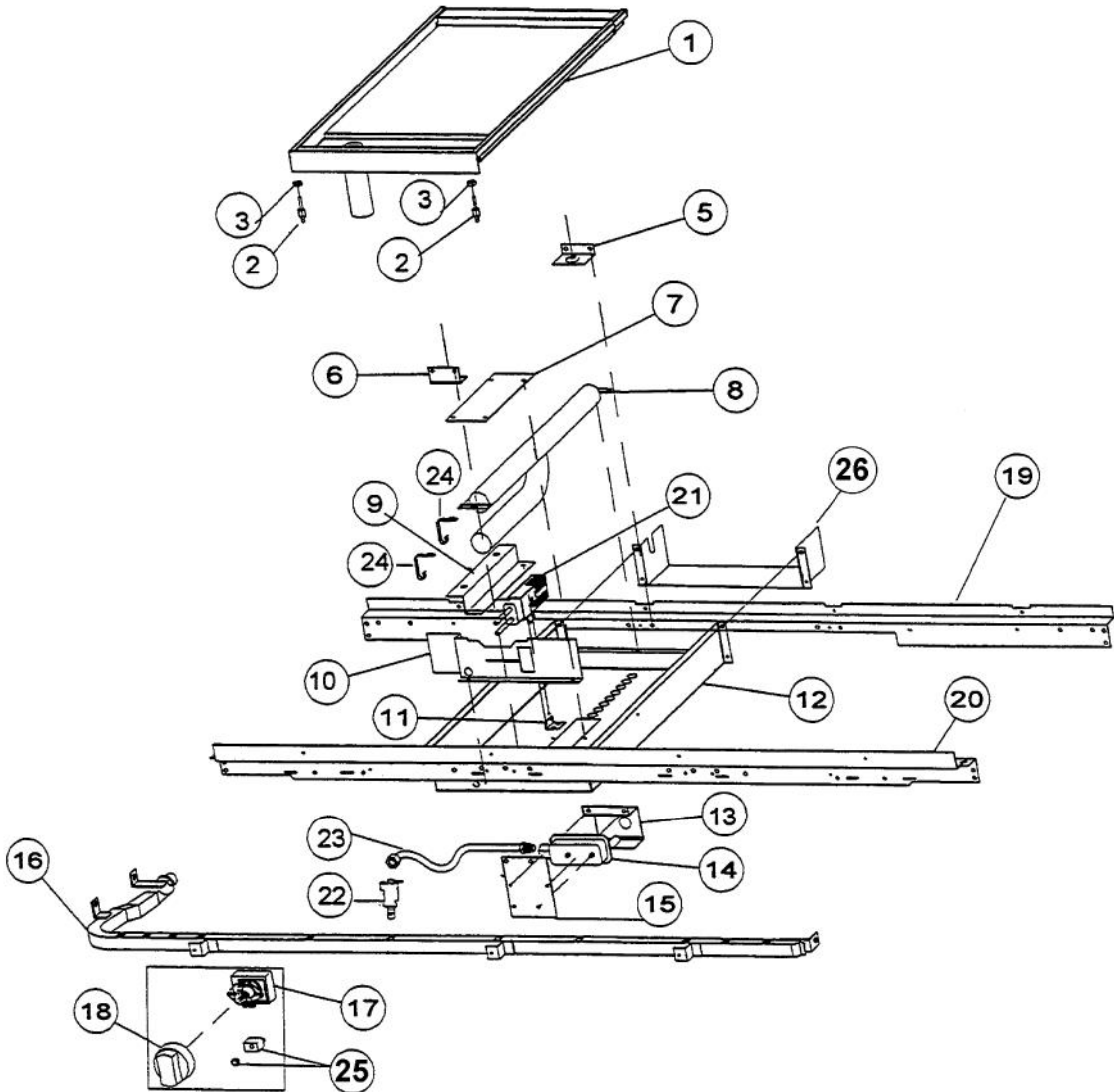
----- Manual continues below -----



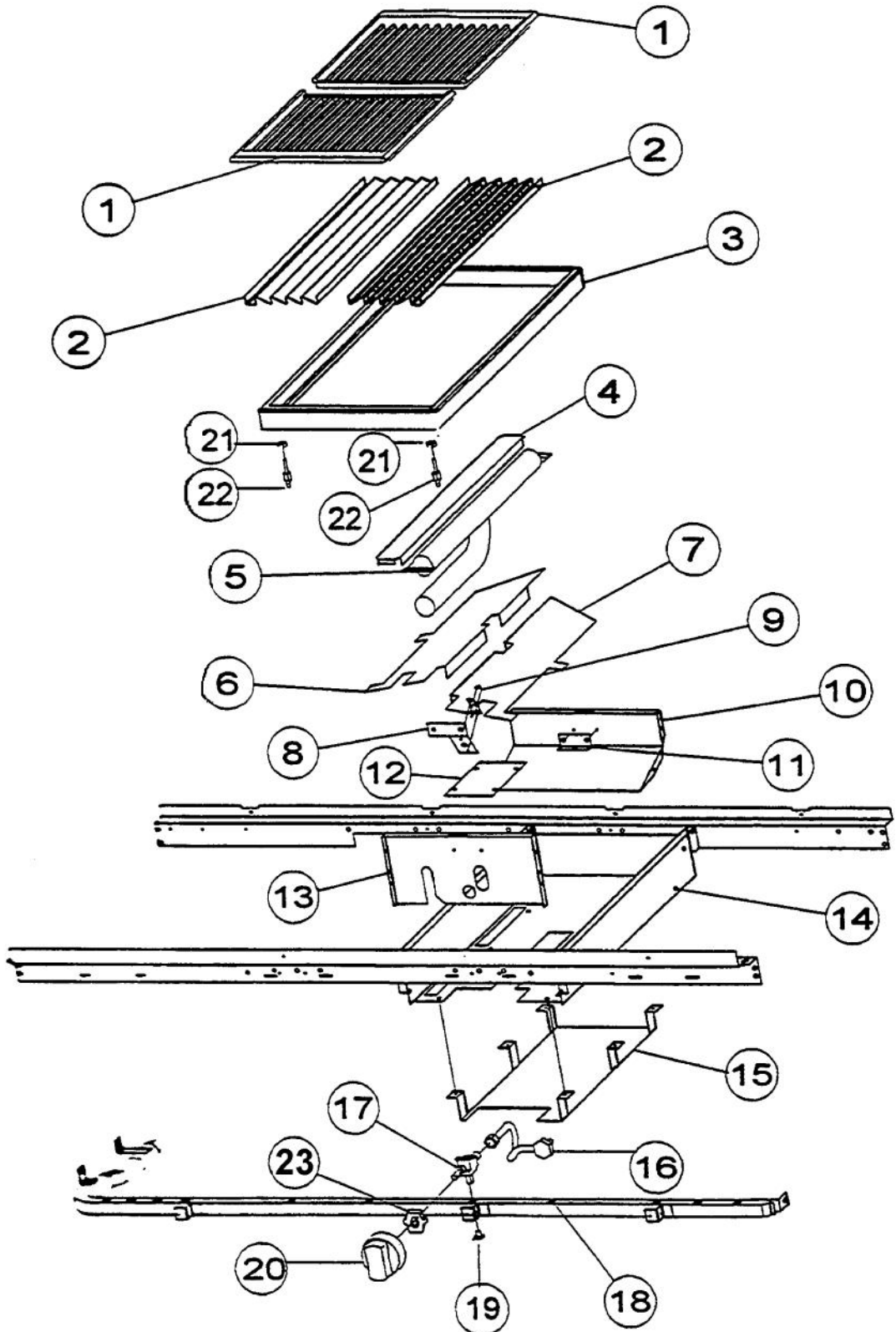
Ref #	Part Number	Qty.	Description
1	PA060037		GRATE BK REPL PA060024 (GEN.NO.2)
1	PA060038		GRAY GRATES
2	PA030002AL		BURNER BOWL - AL
2	PA030002BK		BURNER BOWL (VGRT) XXBKXX
2	PA030002BT		BURNER BOWL - BT
2	PA030002CB		BURNER BOWL - CB
2	PA030002EP		BURNER BOWL - EP
2	PA030002FG		BURNER BOWL - FG
2	PA030002GG		BURNER BOWLS - GG
2	PA030002LE		BURNER BOWLS - LE
2	PA030002LN		BURNER BOWL (VGRT) XXLNXX
2	PA030002MJ		BURNER BOWL (VGRT) XXMJXX
2	PA030002PL		BURNER BOWL (VGRT) XXPLXX
2	PA030002SG		BURNER BOWL - SG
2	PA030002VB		BURNER BOWL (VGRT) XXVBXX
2	PA030002WH		BURNER BOWL (VGRT) XXWHXX
3	PA080015		BURNER CAP-VGRT XBKX
3	PA080016		BURNER CAP-VGRT (GRAY-MATT)
4	G50013584AL		BURNER GRATE SUPPORT ASSEMBLY - AL
4	G50013584BK		GRATE SUPPORT SERVICE KIT (BK)
4	G50013584BT		GRATE SUPPORT SERVICE KIT (BT) - NLA
4	G50013584CB		BURNER GRATE SUPPORT ASSEMBLY - CB
4	G50013584EP		BURNER GRATE SUPPORT ASSEMBLY - EP
4	G50013584FG		BURNER GRATE SUPPORT ASSEMBLY - FG
4	G50013584GG		BURNER GRATE SUPPORT ASSEMBLY - GG
4	G50013584LE		BURNER GRATE SUPPORT ASSEMBLY - LE
4	G50013584LN		GRATE SUPPORT SERVICE KIT (LN)
4	G50013584MJ		BURNER GRATE SUPPORT ASSEMBLY - MJ
4	G50013584PL		GRATE SUPPORT ASSEMBLY - PL
4	G50013584SG		BURNER GRATE SUPPORT ASSEMBLY - SG
4	G50013584VB		BURNER GRATE SUPPORT ASSEMBLY - VB
4	G50013584WH		GRATE SUPPORT SERVICE KIT (WH)
5	PD030017		BALL STUD
6	PD030012		6-32 HEX NUT
7	B2002346		SIDE TRIM - LH (VGSS)
7	C9302346BR		SIDE TRIM - LH (VGSS) XBRX
8	B2002345		SIDE TRIM - RH (VGSS)
8	C9302345BR		SIDE TRIM - RH (VGSS) XBRX
9	PB080061		GREASE PAN
10	G3004872		DRIP TRAY WELD ASSY (36) (BEFORE 07/22/03)
10	G3009714		36 DRIP TRAY ASSY. (BETWEEN 7/2203 AND 11/18/04)
10	G30010455		36 DRIP TAY ASSY (AFTER 11/18/04)
11	PD040004		GROMMET BUMPER
12	G3203146		HANDLE KIT 36 SS (BEFORE 11/18/04)
12	G3203145		DRIP TRAY HANDLE 36`` - BR (BEFORE 11/18/04) (BEFORE 11/18/04)
12	G30011459		DRIP TRAY HANDLE 36```` - SS (AFTER 11/18/04) (AFTER 11/18/04)
12	G93011459PVD		DRIP TRAY HANDLE ASSY 36 PVD (AFTER 11/18/04)
13	PD010003		10-24 X 1/2 PH.TR.HD.SERD.M.S.
NI	PD030010		NO.10-24 KEPS NUT



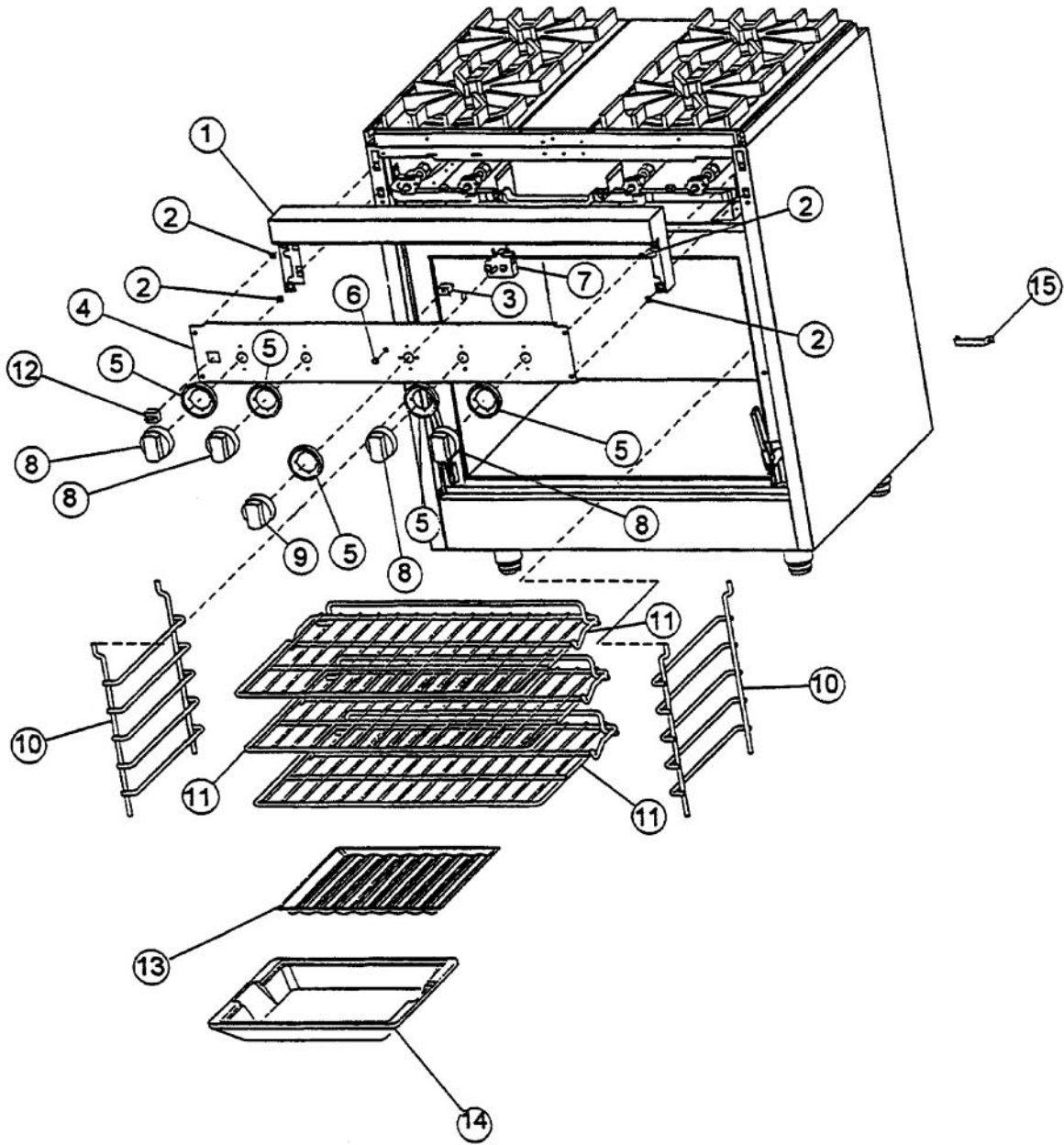
Ref #	Part Number	Qty.	Description
1	PA020014		SPARK IGNITOR
2	PA080036		TOP BURNER REAR REPL PA080008
3	PA080037		TOP BURNER FRONT REPL PA080007
4	A2001112		BURNER SUPT (VGRT)
5	A2001147		GRATE SUPT ANGLE (VGRT)
6	A1001619		SPARK MODULE PLATE
7	PA020041		TYTRONICS 0+4 SPARK MODULE BEFORE 11/24/04
7	PA020047		INVENSYS 0+4 RE-IGNITION SPARK MODULE AFTER 11/24/04
8	A2001620		SPARK MODULE COVER (VGRC)
9	PD040005		SNAP BUSHING - 7/8
10	PA070001		PRESSURE REGULATOR (NAT.)
11	A1001138		MANIFOLD BRKT
12	PA050114		MANIFOLD
13	003519-000		PA010024 VALVE AND BOLT KIT (BEFORE 08/09/02)
NI	G50012678		TOP BURNER VALVE KIT (BRASS VALVE REPLACEMENT) (BETWEEN 08/09/02 & 02/23/05)
NI	PA010157		SUB TO 003515-000 - RANGE TOP BURNER VALVE (AFTER 02/23/05)
14	PD010012		VALVE BOLT 1/4-20 UNC-2B 5/16 M.S.
15	PA020015		SPARK IGNITION SWITCH (BEFORE 2/23/05)
15	PA020045		IGNITOR SWITCH (AFTER 2/23/05)
16	PB030002		SUB TO 003862-000 - SHUTOFF VALVE (BEFORE 2/23/05)
16	PB030007		SHUT OFF VALVE (AFTER 2/23/05)
17	PB010083		SINGLE THERMAL VALVE LH (OVEN)
18	PE070070		DISCONNECT BLOCK XALX 770020-1
19	PE070071		DISCONNECT BLOCK XALX 770027-1
20	PE070128		SUPPLY CORD (VGRT/SC/SS/RC)
21	A2002382		REAR BURNER SUPT (VGSS36)
22	A2001105		FRONT SUPT (36)
23	PK000008		DRIP TRAY GUIDE - RH
24	PK000007		DRIP TRAY GUIDE - LH (VGRT)
NI	G4001330		SPARK IGNITOR WIRE ASSY (10)
NI	G4001688		SPARK MODULE-TOP BRNR SPARKER (52)
NI	A2001627		BROIL VALVE BRKT (VGRC)
NI	A2001628		BROIL VALVE COVER (VGRC)
NI	PB040034		ORIFICE HOOD-NO.50 (NAT)
NI	PB040036		ORIFICE HOOD-NO.57 (LP)



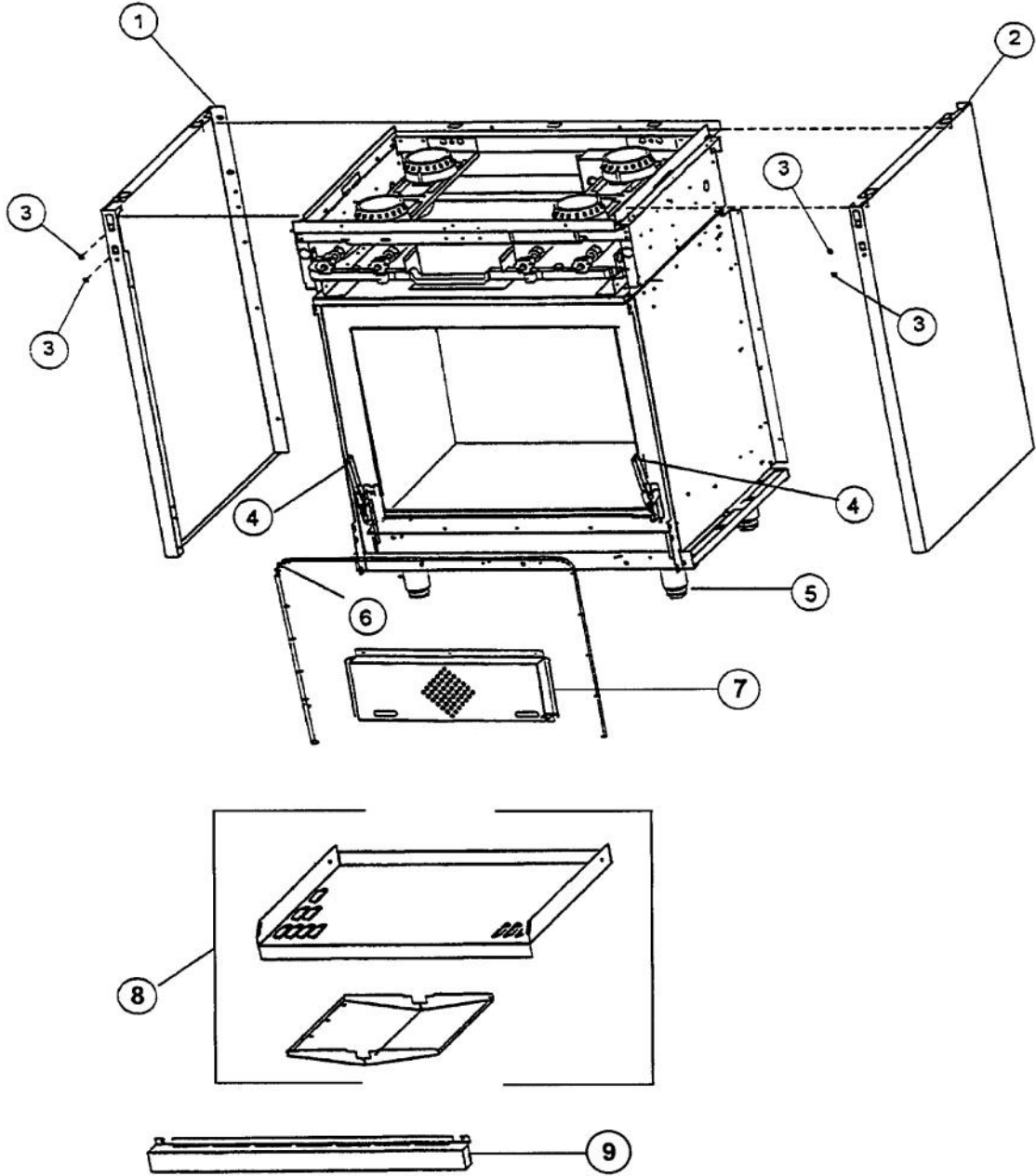
Ref #	Part Number	Qty.	Description
1	G30010494		GRIDDLE WELD ASSY
2	PD010017		BALL STUD (VGRT)
3	PD030012		6-32 HEX NUT
5	A2001880		REAR MTG. BRKT. GRIDDLE FLAME SHLD
6	A2001881		FRONT MTG. BRKT. GRIDDLE FLAME SHLD
7	A1001636		GRIDDLE VENTURI COVER
8	PB050077		GRILL BURNER
9	A2001949		T/STAT BULB COVER REPL A2001883
10	A2002001		GRIDDLE HEAT BAFFLE - SLOT SUPT
11	A2001300		GRIDDLE IGNITOR BRKT
12	A2001148		GRIDDLE BOX (VGRT)
13	A2001630		GRIDDLE VALVE COVER (VGRC)
14	PB010004		SINGLE SAFETY VALVE (NAT. GRIDDLE)
15	A1001198		THERMAL VALVE BRKT
16	PA050114		MANIFOLD
17	PB010035		THERMOSTAT BAKE
18	PB010103		GRIDDLE KNOB N/S XBKX
18	PB010104		GRIDDLE KNOB N/S XWHX
19	A2002382		REAR BURNER SUPT (VGSS36)
20	A2001105		FRONT SUPT (36)
21	PB040001		IGNITOR - (ALL RANGES)
22	PB030002		SUB TO 003862-000 - SHUTOFF VALVE (BEFORE 2/23/05)
NI	PB030007		SHUT OFF VALVE (AFTER 2/23/05)
23	PB020116		TUBING - 10 FLEXIBLE 12 & 24
24	PD030031		THERMAL BULB CLIP - .250
25	PE050023		OVEN IND. LIGHT (LENS & BEZEL)
25	PE050024		OVEN IND. LIGHT (LIGHT HOUSING)
26	A2002147		GRIDDLE FLUE COVER (VGRT/VGSS/VGIS)
NI	PD040022		1/2 X 1/4-BUMPER (PORT. GRIDDLE)(BK
NI	PD020039		NO.6-32 X 1/2 PH.PN.HD. TYPE (23)
NI	A2007995		LEFT GRIDDLE FLUE BOX-VGIC4854G
NI	A2007996		RIGHT GRIDDLE FLUE BOX
NI	A1007997		RIGHT OVEN FLUE COVER-VGIC4854G
NI	A1007998		LEFT OVEN FLUE COVER
NI	PB040034		ORIFICE HOOD-NO.50 (NAT)
NI	PB040036		ORIFICE HOOD-NO.57 (LP)
NI	A2001179		BACK SUPT (VGRT)



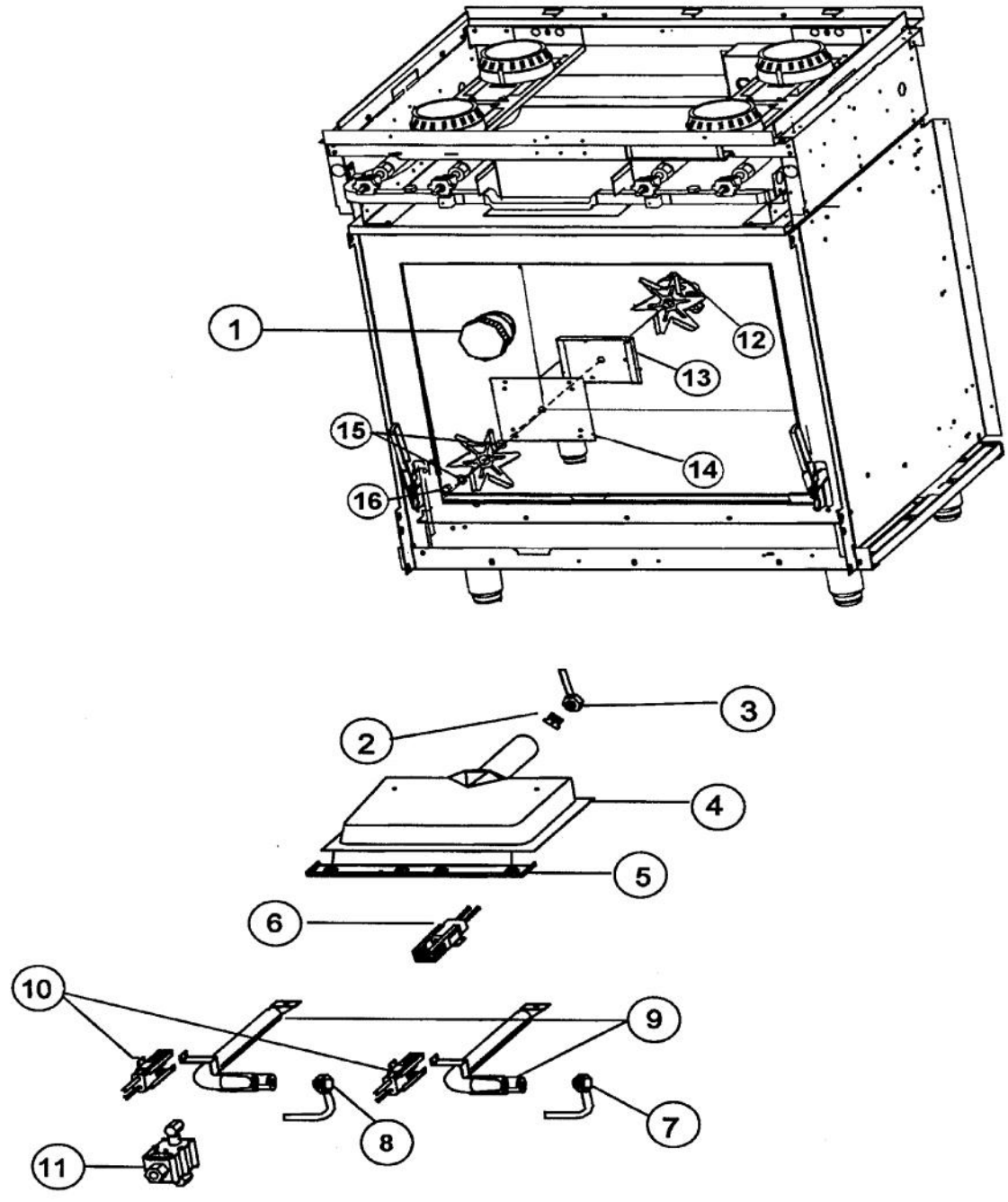
Ref #	Part Number	Qty.	Description
1	PA060028		GRILL GRATE - BK
1	PA060029		GRILL GRATE - GR
2	E9101130BK		GRILL SMOKE GENERATOR
3	G9101182AL		GRILL GRATE SUPT (VGRT) XALX
3	G9101182BK		GRILL GRATE SUPT (VGRT) XBKX
3	G9101182BT		GRILL GRATE SUPT (VGRT) XBTX
3	G9101182CB		GRILL GRATE SUPT (VGRT) XCBX
3	G9101182EP		GRILL GRATE SUPT (VGRT) XEPX
3	G9101182FG		GRILL GRATE SUPT (VGRT) XFGX
3	G9101182GG		GRILL GRATE SUPPORT - GG
3	G9101182LE		GRILL GRATE SUPT (VGRT) XLEX
3	G9101182LN		GRILL GRATE SUPT (VGRT) XLNX
3	G9101182MJ		GRILL GRATE SUPT (VGRT) XMJX
3	G9101182PL		GRILL GRATE SUPT (VGRT) XPLX
3	G9101182SG		GRILL GRATE SUPT (VGRT) XSGX
3	G9101182VB		GRILL GRATE SUPT (VGRT) XVBX
3	G9101182WH		GRILL GRATE SUPT (VGRT) XWHX
4	B2001140		GRILL FLAME SHIELD (VGRT)
5	PB050077		GRILL BURNER
6	B2001856		GRILL HEAT DEFLECTOR-LH (VGRC60)
7	B2001857		GRILL HEAT DEFLECTOR-RH (VGRC60)
8	A2001633		GRILL FRONT SPARKER BRKT (VGRC)
9	PA020014		SPARK IGNITOR
10	A2001855		GRILL BACK - (VGRC605)
11	A2001132		REAR GRILL BURNER BRKT (VGRT)
12	A1001862		GRILL VENTURI COVER (VGRC605)
13	A2001631		GRILL BOX FRONT (VGRC)
14	A2001852		GRILL BOX - (VGRC605)
15	A2001863		GRILL BTM SHIELD (VGRC605)
16	PB020025		TUBING-GRILL (REVISED) REP PB020021
17	PA010030		GRILL VALVE-(VGRT)
18	PA050114		MANIFOLD
19	PD010012		VALVE BOLT 1/4-20 UNC-2B 5/16 M.S.
20	PA010039		TOP GRILL KNOBxBKX (VGRC) (N/STYLE
20	PA010040		TOP GRILL KNOBXWHX (VGRC) (N/STYLE
21	PD030012		6-32 HEX NUT
22	PD010017		BALL STUD (VGRT)
23	PA020011		SPARK IGN SWITCH REPL PA020012
NI	PB040061		ORIFICE HOOD - NO.48



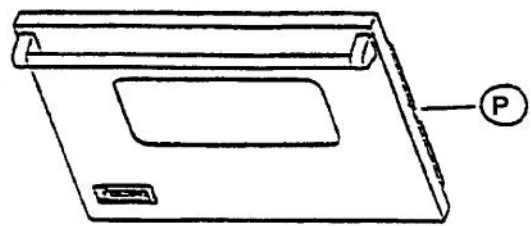
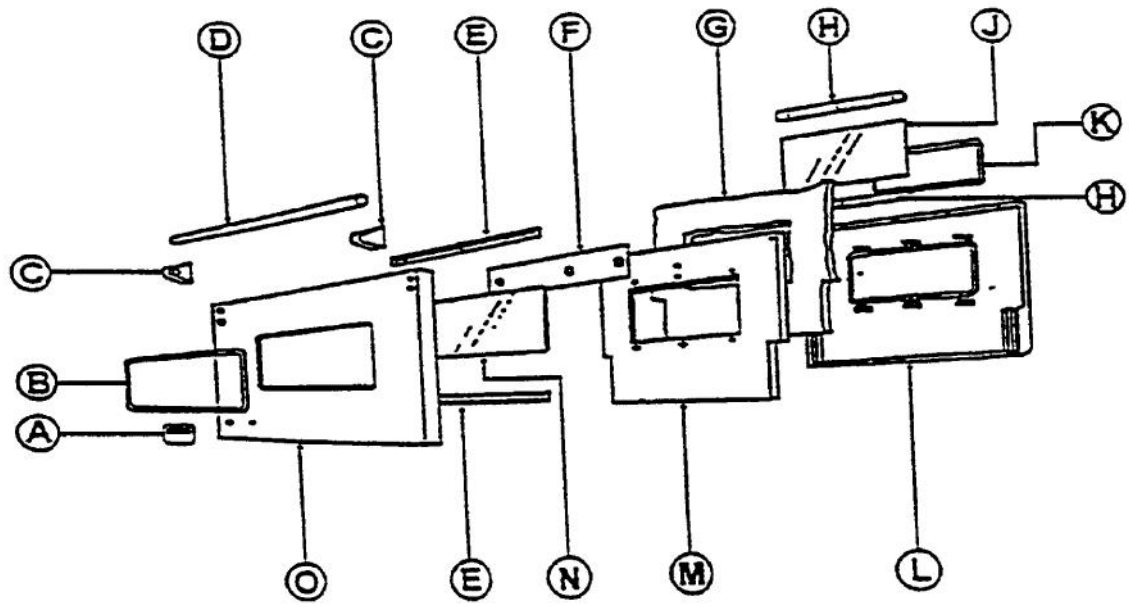
Ref #	Part Number	Qty.	Description
1	G3001585		36 LANDING LEDGE
2	PD030050		10-24 CAGE NUT SS
3	PE050024		OVEN IND. LIGHT (LIGHT HOUSING)
4	B9202370		CTRL PAN- (VGRC365-6B )XSLK SCRX
NI	B9201281		CTRL PAN - VGRC365-4G XSLK SCRX
NI	B9202371		CTRL PAN- (VGRC365-4Q )XSLK SCRX
5	PB010208		BEZEL, CHROME PLATE
5	PB010209		BEZEL BRASS
6	PE050023		OVEN IND. LIGHT (LENS & BEZEL)
7	PB010036		THERMOSTAT BAKE/BROIL
8	PA010034		TOP BURNER KNOB-XBKX (NEW STYLE)
NI	PA010035		(BEFORE 08/09/02 - OR IF ORIGINAL VALVE HAS NEVER BE... BURNER KNOB-WH NS REPL PA010028
NI	PB010206		(BEFORE 08/09/02 - OR IF ORIGINAL VALVE HAS NEVER BE... VGSC,VGRC,VGRT TOP BURNER KNOB(BK)
NI	PB010207		(AFTER 08/09/02 - OR IF ORIGINAL VALVE HAS BEEN REPLA... VGSC,VGRC,VGRT TOP BURNER KNOB(WH)
9	PB010099		(AFTER 08/09/02 - OR IF ORIGINAL VALVE HAS BEEN REPLA... T/STAT B/B KNOB BK REPL PB010039BKX
9	PB010100		THERMOSTAT BAKE/BROIL KNOB XWHX N/S
10	PB060030		RACK SUPT REPL PB060010
11	PB060039		RACK REPL PB060017
12	PE050016		OVEN LIGHT SWITCH - XBKX (WES-GAR)
12	PE050017		OVEN LIGHT SWITCH - XWHX (WES-GAR)
13	PB080003		BROILER PAN TRAY (KRA2)
14	PB080002		BROILER PAN
15	A2001259		ANTI-TIP DEVICE



Ref #	Part Number	Qty.	Description
1	B2002598		O/S BODY PANEL LH (SS)
1	C9002598AL		BODY PNL LH 30" REPL C9001922AL
1	C9002598BK		BODY PNL LH 30" REPL C9001922BK
1	C9002598BT		O/S BODY PANEL-LH XBTX (VDSC)
1	C9002598BU		BODY PNL LH 30" REPL C9001922BU
1	C9002598CB		O/S BODY PANEL-LH XCBX (VDSC)
1	C9002598EP		O/S BODY PANEL-LH XEPX (VDSC)
1	C9002598FG		BODY PNL LH 30" REPL C9001922FG
1	C9002598GG		BODY PNL LH 30" REPL C9001922GG
1	C9002598LE		O/S BODY PANEL-LH XLEX (VDSC)
1	C9002598LN		BODY PNL LH 30" REPL C9001922LN
1	C9002598MJ		O/S BODY PANEL-LH XMJX (VDSC)
1	C9002598PL		BODY PNL LH 30" REPL C9001922PL
1	C9002598SG		O/S BODY PANEL-LH XSGX (VDSC)
1	C9002598VB		BODY PNL LH 30" REPL C9001922VB
1	C9002598WH		BODY PNL LH 30" REPL C9001922WH
2	B2002597		O/S BODY PANEL - RH (SS)
2	C9002597AL		O/S BODY PANEL-RH XALX (VDSC)
2	C9002597BK		BODY PNL RH BK REPL C9001921BK
2	C9002597BT		O/S BODY PANEL-RH XBTX (VDSC)
2	C9002597BU		BODY PNL RH BU REPL C9001921BU
2	C9002597CB		O/S BODY PANEL-RH XCBX (VDSC)
2	C9002597EP		O/S BODY PANEL-RH XEPX (VDSC)
2	C9002597FG		BODY PNL RH FG REPL C9001921FG
2	C9002597GG		BODY PNL RH GG REPL C9001921GG
2	C9002597LE		O/S BODY PANEL-RH XLEX (VDSC)
2	C9002597LN		BODY PNL RH LN REPL C9001921LN
2	C9002597MJ		O/S BODY PANEL-RH XMJX (VDSC)
2	C9002597PL		BODY PNL RH PL REPL C9001921PL
2	C9002597SG		O/S BODY PANEL-RH XSGX (VDSC)
2	C9002597VB		BODY PNL RH VB REPL C9001921VB
2	C9002597WH		BODY PNL RH WH REPL C9001921WH
3	PD030005		SELF RETAINING NUT
4	PC020009		HINGE ASSY (BROWN)
5	PC030017		4 LEG ASSY
6	PB070036		OVEN DR GASKET (VGSS36)
7	G9101371		CONVECTION FAN COVER ASSY(VGSC305)
8	G3204252		BTM PAN ASSY REPL G9101985
9	B2001504		LWR ACC PNL - RPLCS B2001977
9	C9001504AL		LWR ACC PNL - RPLCS C9001977AL
9	C9001504BK		LWR ACC PNL - RPLCS C9001977BK
9	C9001504BT		LWR ACC PNL - RPLCS C9001977BT
9	C9001504BU		LWR ACC PNL - RPLCS C9001977BU
9	C9001504CB		LWR ACC PNL - RPLCS C9001977CB
9	C9001504EP		LWR ACC PNL - RPLCS C9001977EP
9	C9001504FG		LWR ACC PNL - RPLCS C9001977FG
9	C9001504GG		LWR ACC PNL - RPLCS C9001977GG
9	C9001504LE		LWR ACC PNL - RPLCS C9001977LE
9	C9001504LN		LWR ACC PNL - RPLCS C9001977LN
9	C9001504MJ		LWR ACC PNL - RPLCS C9001977MJ
9	C9001504PL		LWR ACC PNL - RPLCS C9001977PL
9	C9001504SG		LWR ACC PNL - RPLCS C9001977SG
9	C9001504VB		LWR ACC PNL - RPLCS C9001977VB
9	C9001504WH		LWR ACC PNL - RPLCS C9001977WH
NI	A2008456		HINGE POCKET COVER, VGIC RH
NI	A2008457		HINGE POCKET COVER, VGIC LH



Ref #	Part Number	Qty.	Description
1	PE050009		OVEN LIGHT SOCKET - 36 BUILT-IN
2	PB040040		ORIFICE-IR BURNER (VGSC)
2	PB040027		IR BUR.SPUD ORF. - NO.56 LP
3	PB020060		TUBING - BROIL-SAFETY VALVE(VGIS36)
NI	PD030018		PALNUT - 3/4-16
4	G3001876		IR BURNER ASSY (VGSC/RC) N/S
5	B2001448		IR BROIL SUPT (FRONT)
	B2002261		FRONT I/R BROILER SUPPORT BRACKET
6	PB040001		IGNITOR - (ALL RANGES)
7	PB020042		BAKE SFTY VLVE/LH BAKE TUBING-365
8	PB020043		BAKE SFTY VLVE/RH BAKE TUBING-365
9	PB050012		OVEN BURNER REPL PB050009 (AFTER 04/01/94)
NI	G50013898		RH OVEN BAKE BURNER SERVICE KIT (BEFORE 04/01/94)
10	PB040001		IGNITOR - (ALL RANGES)
11	PB010084		DUAL THERMAL BI-MTL GAS CTRL VALVE
NI	E9101452		FLAME SPREADER 30 (VGSS)
NI	PB020048		TUBING I/R BROILER
NI	PB020060		TUBING - BROIL-SAFETY VALVE(VGIS36)
12	PE050057		CONVECTION FAN (VGSC306)
13	A2002595		CONVECTION FAN BOX (VDSC)
14	A1002596		CONVECTION FAN COVER (VDSC)
15	PD030035		CONVECTION FAN NUT
16	PE050035		CONVECTION FAN BLADE
NI	A2008467		INSULATION SHIELD
NI	PE070339		WIRING KIT (VGIC3656B)
NI	PE070341		WIRING KIT (VGIC3654G)
NI	PE070448		WIRING HARNESS-VGIC3654Q
NI	PB040057		ORIFICE HOOD-NO.46
NI	PB040059		ORIFICE HOOD-NO.54 9701B1654
NI	003226-000	1	FJT VALVE - NO NUT/FERRELL



Ref #	Part Number	Qty.	Description
A	PE010030		LOGO, 6, PRO, BK
A	PE010031		LOGO 6 (VGRC) XBK/WHX
A	PE010068		LOGO, 6, PRO, BK/BR
A	PE010076		LOGO 6 (VGRC) XBR/WHX
B	PE060007		J-MOLD (1 RADIUS)
B	PE060020		J-MOLD (VGSO OVN DOOR) XBRX
C	PE030001		BRACKET, DOOR, HANDLE
C	PE030001PVD		END CAP DOOR HANDLE XBR
D	PE030006		DOOR HANDLE - 36 (VGRC)
D	PE030013PVD		DOOR HANDLE (36) PVD
E	A2001447		OUTER DOOR GLASS RETAINER
F	A1001381		DOOR HEAT BAFFLE (VGSC/VGSS)
G	PB070034		INSULATION-TRS-10 1 X 20 X 3'
H	A2001480		INNER DOOR GLASS RETAINER
J	PE060008		GLASS REPL PE060009
K	PB070014		DOOR GLASS SEAL STRIP - WINDOW DRS.
L	H9101988		DOOR LINER ASSY W/W (VGSS36)
M	G3004865		DOOR INSUL. RETAINER ASSY(VGIC36)
N	PE060018		OVEN GLASS-TEMPERED,SCREENEDXBKX
O	H3009179		OVEN DOOR PANEL WELD ASSY 36 SS
O	H9009180AL		OVEN DOOR PANEL ASSY 36 XALX
O	H9009180BK		OVEN DOOR PANEL ASSY 36 XBKX
O	H9009180BT		OVEN DOOR PANEL ASSY 36 XBTX
O	H9009180BU		OVEN DOOR PANEL ASSY 36 XBUX
O	H9009180CB		OVEN DOOR PANEL ASSY 36 XCBX
O	H9009180EP		OVEN DOOR PANEL ASSY 36 XEPX
O	H9009180FG		OVEN DOOR PANEL ASSY 36 XFGX
O	H9009180GG		OVEN DOOR PANEL ASSY 36 XGGX
O	H9009180LE		OVEN DOOR PANEL ASSY 36 XLEX
O	H9009180LN		OUTER DOOR PANEL - LN
O	H9009180MJ		OVEN DOOR PANEL ASSY 36 XMJX
O	H9009180PL		OVEN DOOR PANEL ASSY 36 XPLX
O	H9009180SG		OVEN DOOR PANEL ASSY 36 XSGX
O	H9009180VB		OVEN DOOR PANEL ASSY 36 XVBX
O	H9009180WH		OVEN DOOR PANEL ASSY 36 XWHX
P	G3209188AL		DOOR ASSY 36 XALX
P	G3209188ALBR		DOOR ASSY 36 XALBRX
P	G3209188BK		DOOR ASSY 36 XBKX
P	G3209188BKBR		DOOR ASSY 36 XBKBRX
P	G3209188BT		DOOR ASSY 36 XBTX
P	G3209188BTBR		DOOR ASSY 36 XBTBRX
P	G3209188BU		DOOR ASSY 36 XBUX
P	G3209188BUBR		DOOR ASSY 36 XBUBRX
P	G3209188CB		DOOR ASSY 36 XCBX
P	G3209188CBBR		DOOR ASSY 36 XCBBRX
P	G3209188EP		DOOR ASSY 36 XEPX
P	G3209188EPBR		DOOR ASSY 36 XEPBRX
P	G3209188FG		DOOR ASSY 36 XFGX
P	G3209188FGBR		DOOR ASSY 36 XFGBRX
P	G3209188GG		DOOR ASSY 36XGGX
P	G3209188GGBR		DOOR ASSY 36 XGGBRX
P	G3209188LE		DOOR ASSY 36 XLEX
P	G3209188LEBR		DOOR ASSY 36 XLEBRX
P	G3209188LN		COMPLETE DOOR ASSY. - LN
P	G3209188LNBR		COMPLETE DOOR ASSY. - LNBR
P	G3209188MJ		DOOR ASSY 36 XMJX
P	G3209188MJBR		DOOR ASSY 36 XMJBRX
P	G3209188PL		COMPLETE DOOR ASSY. - PL
P	G3209188PLBR		COMPLETE DOOR ASSY. - PLBR
P	G3209188SG		DOOR ASSY 36 XSGX

Ref #	Part Number	Qty.	Description
P	G3209188SG		DOOR ASSY 36 XSGX
P	G3209188SGBR		DOOR ASSY 36 XSGBRX
P	G3209187SS		DOOR ASSY 36 XSSX
P	G3209187SSBR		DOOR ASSY 36 XSSBRX
P	G3209188VB		DOOR ASSY 36 XVBX
P	G3209188VBBR		DOOR ASSY 36 XVBBRX
P	G3209188WH		DOOR ASSY 36 XWHX
P	G3209188WHBR		DOOR ASSY 36 XWHBRX
NI	PD020032		SRW-8(A)X3/8PH.WFR HD 7/16DIAXNICL