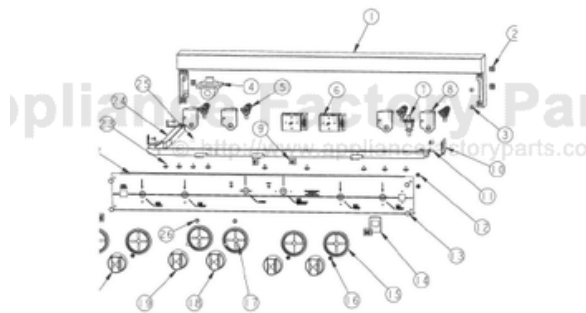


This Owner's Manual is provided and hosted by Appliance Factory Parts.



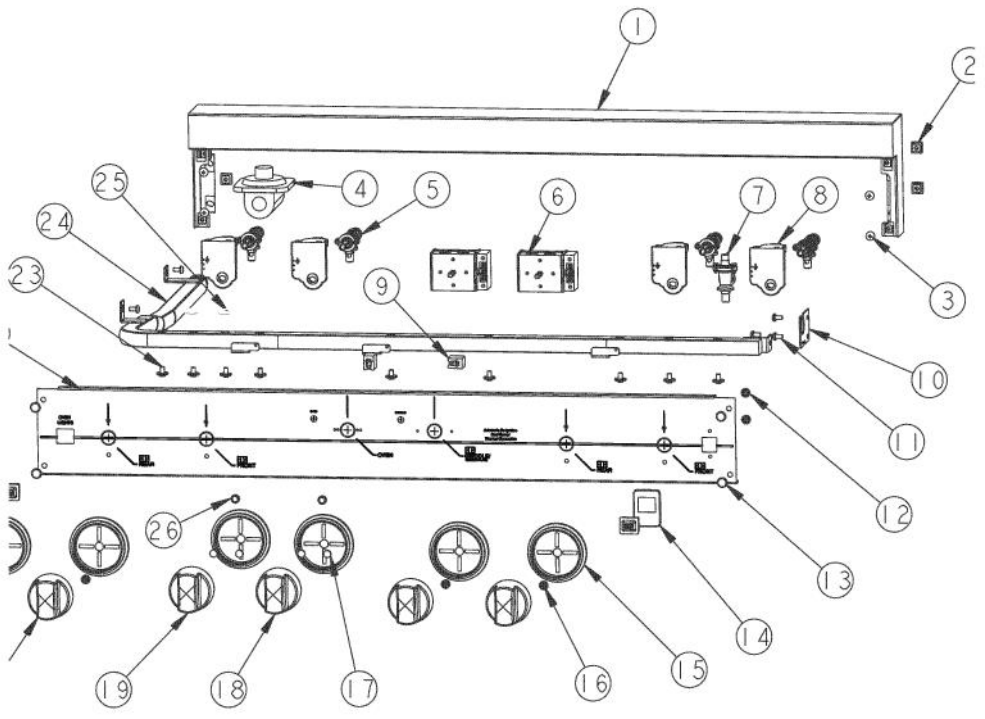
VIKING VGIC366-4G Owner's Manual

[Shop genuine replacement parts for VIKING VGIC366-4G](#)

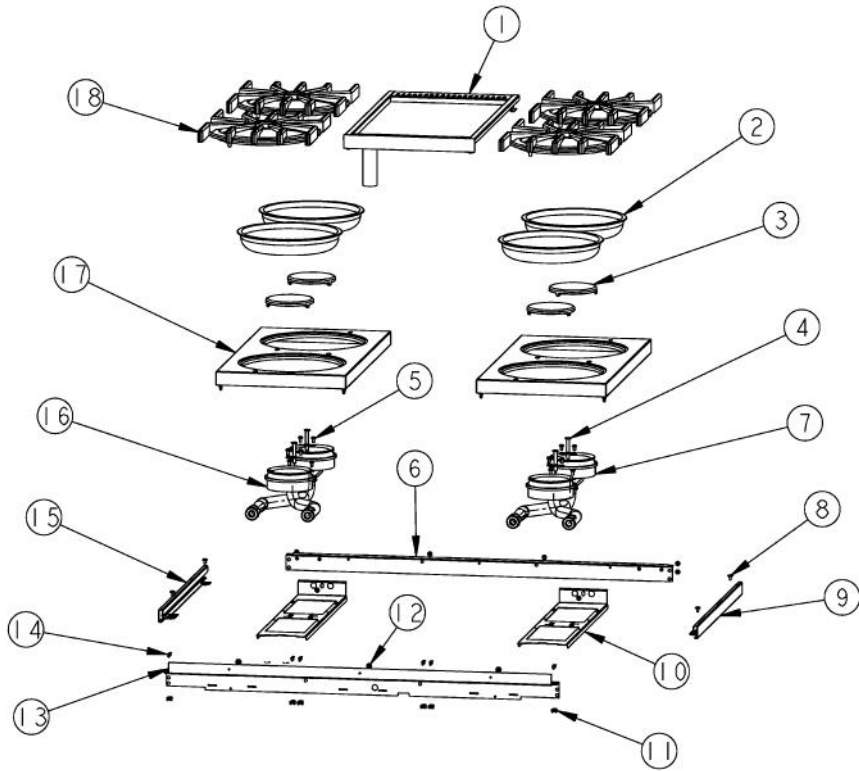


[Find Your VIKING Range Hoods Parts - Select From 411 Models](#)

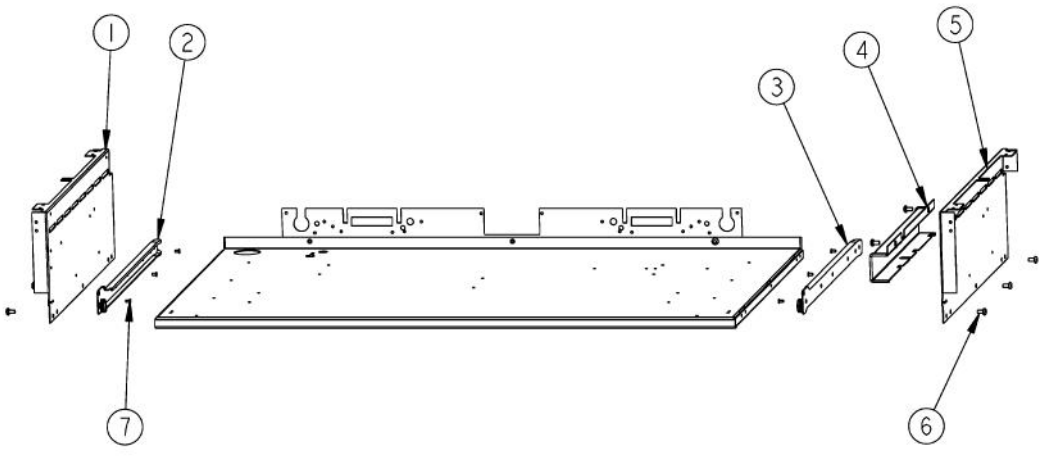
----- Manual continues below -----



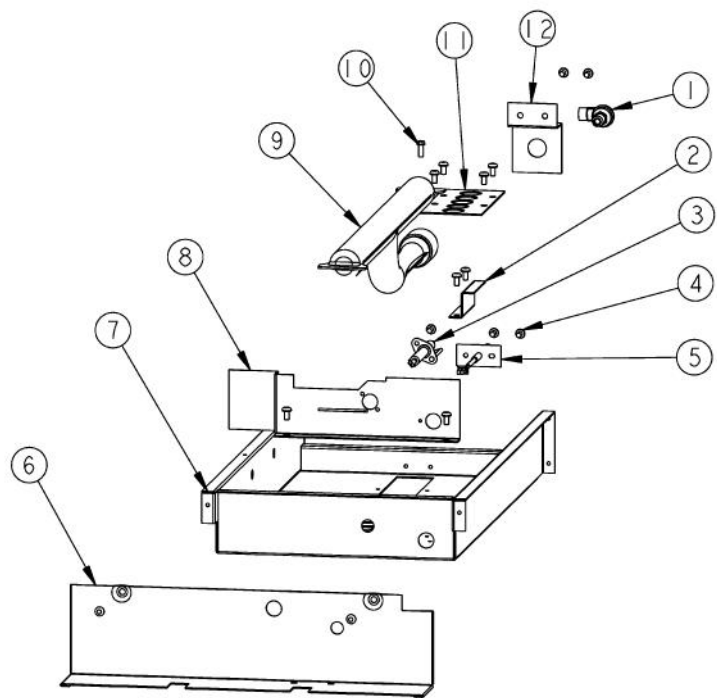
Ref #	Part Number	Qty.	Description
1	G3001585		36 LANDING LEDGE
2	PD030005		SELF RETAINING NUT
3	PD010003		10-24 X 1/2 PH.TR.HD.SERD.M.S.
4	PA070001		PRESSURE REGULATOR (NAT.)
5	PA010157		SUB TO 003515-000 - RANGE TOP BURNER VALVE
6	000336-000		ELECTRONIC THERMOSTAT - 2 POS.
7	PB030007		SHUT OFF VALVE
8	PA020058		IRIS SINGLE SPARK MODULE
9	PE050024		OVEN IND. LIGHT (LIGHT HOUSING)
10	A1001138		MANIFOLD BRKT
11	PD020004		10X3/8PH.HD.TYPE 25 REPL PD040125
12	PD030006		CAPPED WASHER PAL NUT
13	PD020033		SRW-NO.10-24X1/2T(23)PH.WFR HD (NKL)
14	PE010081		CONVECTION-LABEL/PLATE (CHROME)
14	PE010082		CONVECTION-LABEL/PLATE (XBRX)
15	PB010208		BEZEL, CHROME PLATE
15	PB010209		BEZEL BRASS
16	PD020046		NO.8 X 1/2 SCREWS
17	PD020044		NO.8-32 X 1/4 PH. TR. HD. M.S.
18	000448-000		GRIDDLE KNOB XBKX
18	000448-006		GRIDDLE KNOB (WH)
19	000447-000		THERMOSTAT KNOB SELF-CLEAN (BK)
19	000447-006		OVEN KNOB WITH BROIL(WH)
20	PB010206		VGSC,VGRC,VGRT TOP BURNER KNOB(BK)
20	PB010207		VGSC,VGRC,VGRT TOP BURNER KNOB(WH)
21	PE050016		OVEN LIGHT SWITCH - XBKX (WES-GAR)
21	PE050017		OVEN LIGHT SWITCH - XWHX (WES-GAR)
22	B9201281		CTRL PAN - VGRC365-4G XSLK SCRX
23	PD010012		VALVE BOLT 1/4-20 UNC-2B 5/16 M.S.
24	PA050114		MANIFOLD
25	002884-000		MANIFOLD PLUG
26	PE050023		OVEN IND. LIGHT (LENS & BEZEL)



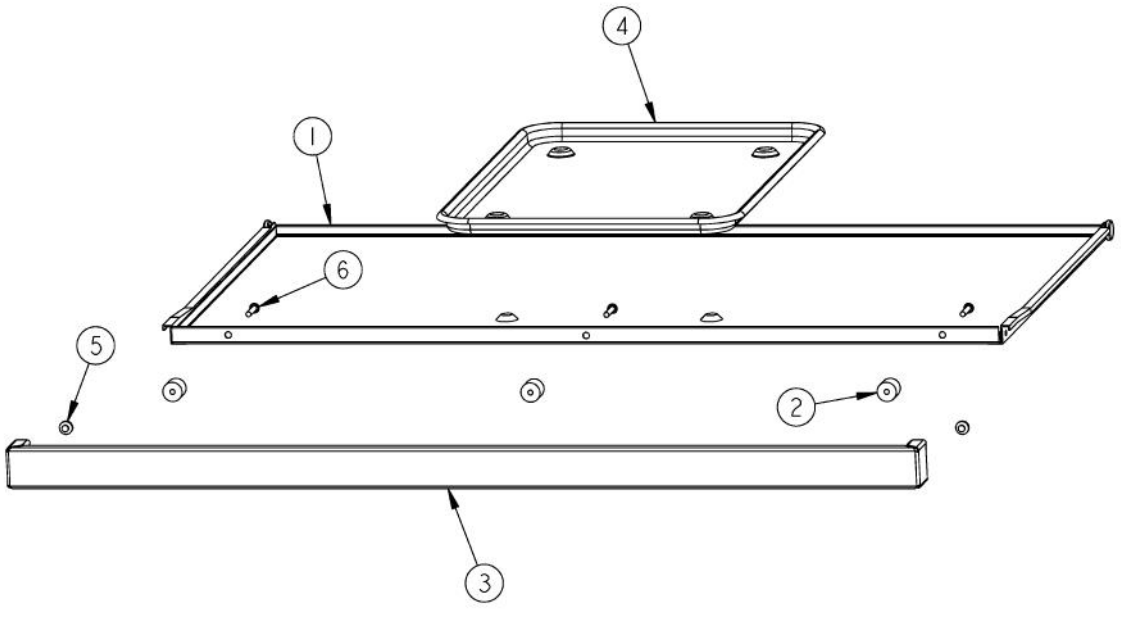
Ref #	Part Number	Qty.	Description
1	G30010494		GRIDDLE WELD ASSY
2	PA030002BK		BURNER BOWL (VGRT) XXBKXX
2	PA030002WH		BURNER BOWL (VGRT) XXWHXX
3	PA080015		BURNER CAP-VGRT XBKX
4	PA020028		SPARK IGNITER
5	PD020004		10X3/8PH.HD.TYPE 25 REPL PD040125
6	A2005514		REAR BURNER SUPPORT
7	PA080037		TOP BURNER FRONT REPL PA080007
8	PD020032		SRW-8(A)X3/8PH.WFR HD 7/16DIAXNICL
9	B2002345		SIDE TRIM - RH (VGSS)
9	C9302345		SIDE TRIM - RH (BR)
10	A2001112		BURNER SUPT (VGRT)
11	PD010016		BALL STUD FASTEN
12	PD020002		10 X 1/2 PH.TR.HD.SMS.
13	001347-000		FRONT SUPT (36)
14	PC040010		POP RIVET
15	B2002346		SIDE TRIM - LH (VGSS)
15	C9302346		SIDE TRIM - LH (BR)
16	PA080036		TOP BURNER REAR REPL PA080008
17	G50013584BK		GRATE SUPPORT SERVICE KIT (BK)
17	G50013584WH		GRATE SUPPORT SERVICE KIT (WH)
18	PA060037		GRATE BK REPL PA060024 (GEN.NO.2)



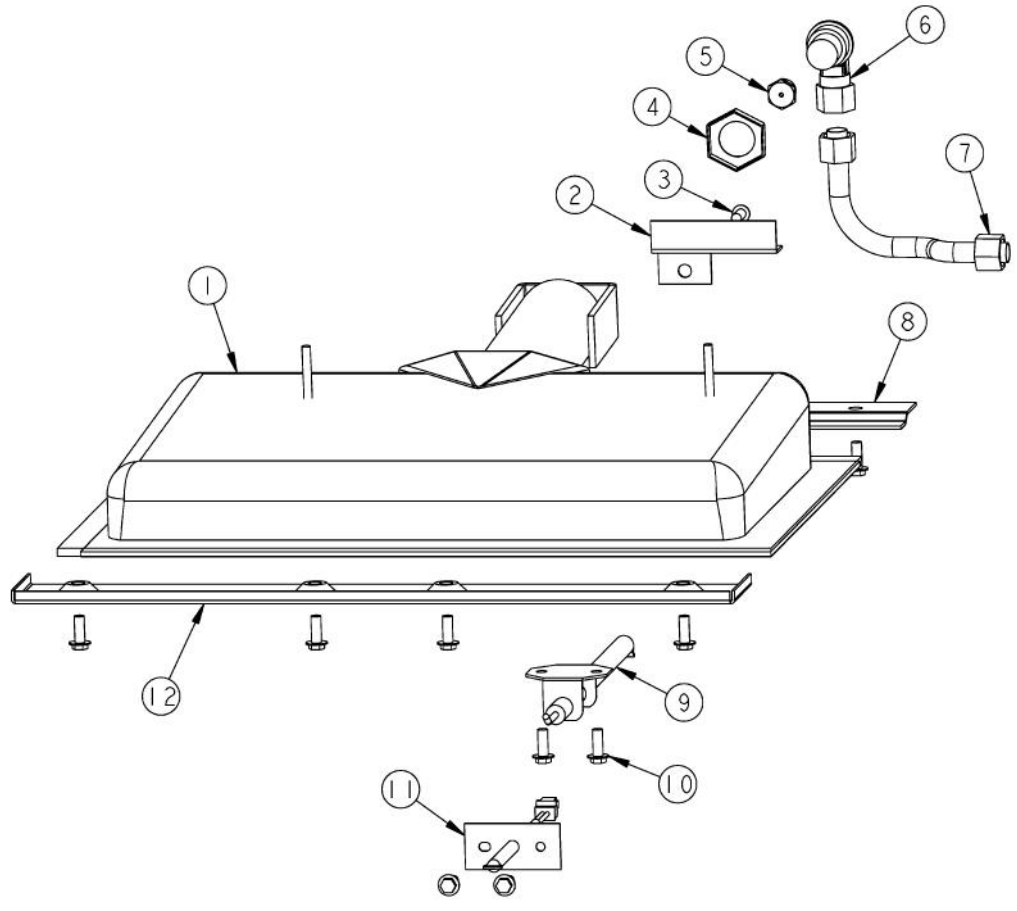
Ref #	Part Number	Qty.	Description
1	002889-000		BURNER BOX SIDE-LH
2	PK000007		DRIP TRAY GUIDE - LH (VGRT)
3	PK000008		DRIP TRAY GUIDE - RH
4	A2000210		WIRE CHANNEL
5	002888-000		BURNER BOX SIDE-RH
6	PD020004		10X3/8PH.HD.TYPE 25 REPL PD040125
7	PC040010		POP RIVET



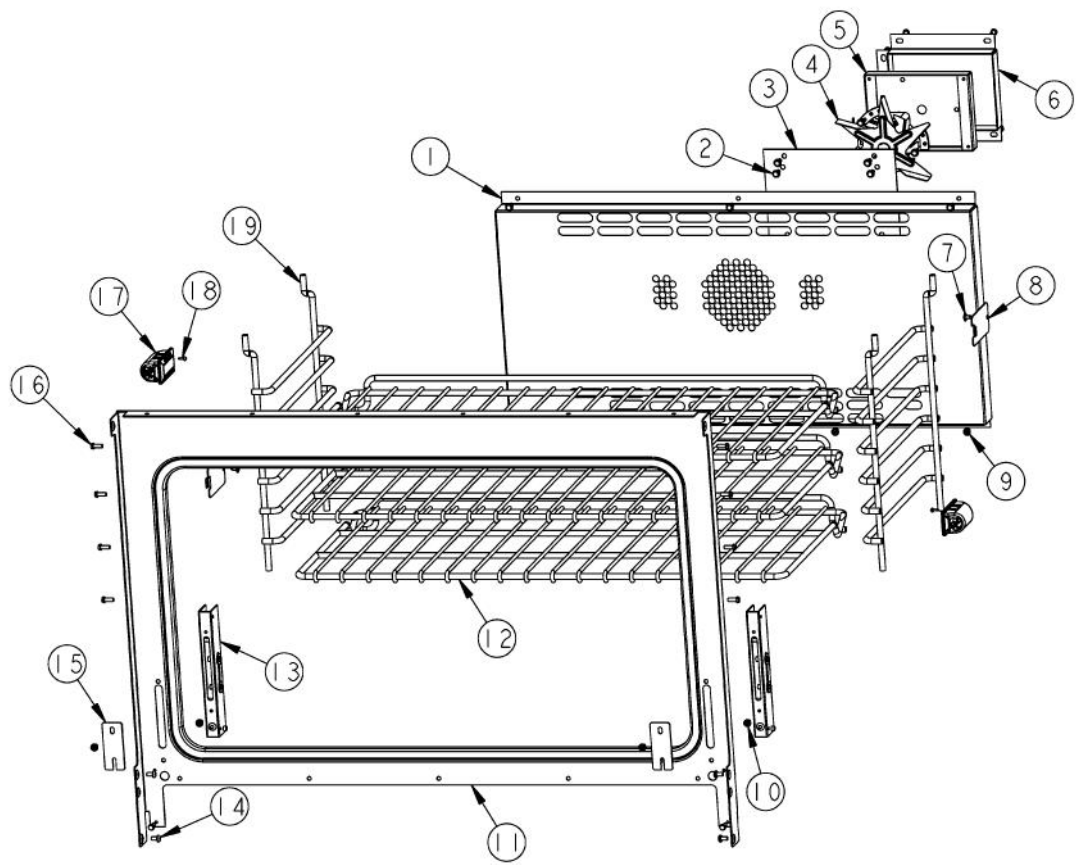
Ref #	Part Number	Qty.	Description
1	PB040190		90 DEGREE ORIFICE FITTING NO.50 NAT
2	000971-000		RTD GRIDDLE SHIELD
3	PB040288		SMOKER BURNER IGNITER
4	PD020004		10X3/8PH.HD.TYPE 25 REPL PD040125
5	PE050206		RTD THERMOSTAT PROBE
6	001361-000		THERMOSTAT COVER
7	001437-000		GRIDDLE BOX
8	001436-000		GRIDDLE HEAT BAFFLE
9	PDB050077		GRIDDLE/GRILL BURNER
10	PD020060		10 X 1/2 (5/16)HEX WSHER HD.(T)A
11	A1007861		GRIDDLE VENTURI COVER IC36
12	001625-000		GRIDDLE ORIFICE BRACKET



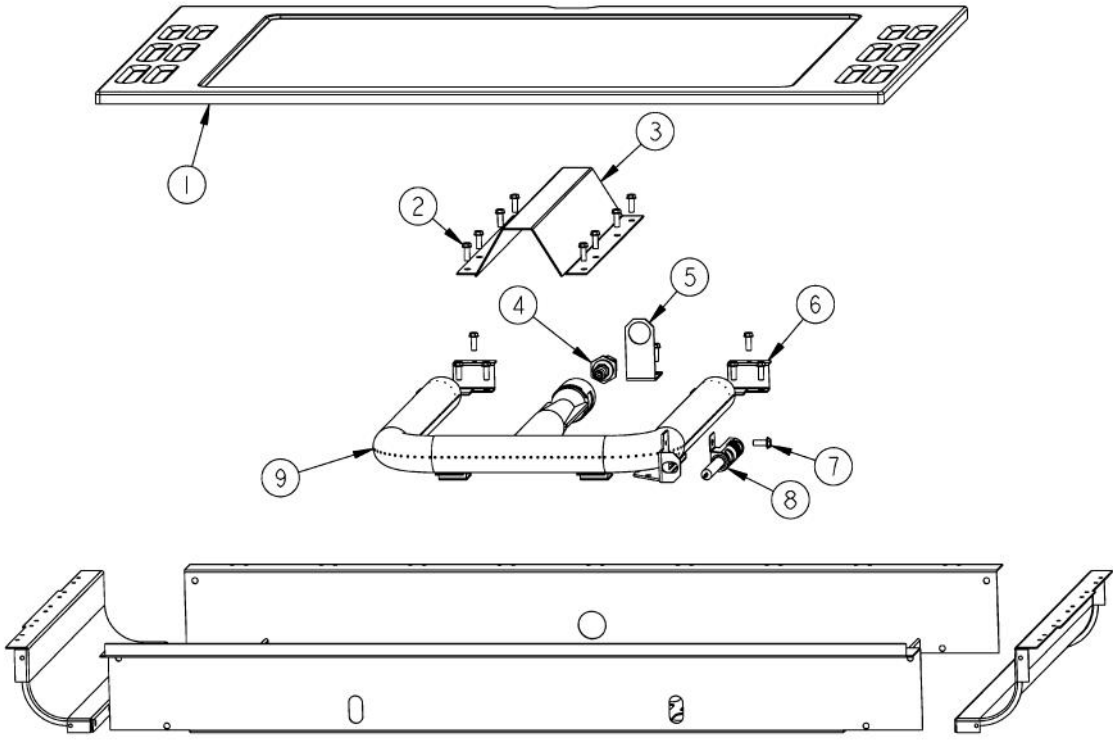
Ref #	Part Number	Qty.	Description
1	G30010455		36 DRIP TAY ASSY
2	PD040028		BUSHING(.194ID/.750OD/.750LONG)
3	G30010696		DRIP TRAY HANDLE ASSY 36
3	G93011459PVD		DRIP TRAY HANDLE ASSY 36 PVD
4	PB080061		GREASE PAN
5	PD040004		GROMMET BUMPER
6	PD020079		NO.10 X 1 1/4 PH. PAN HD. T(A) NYLOK



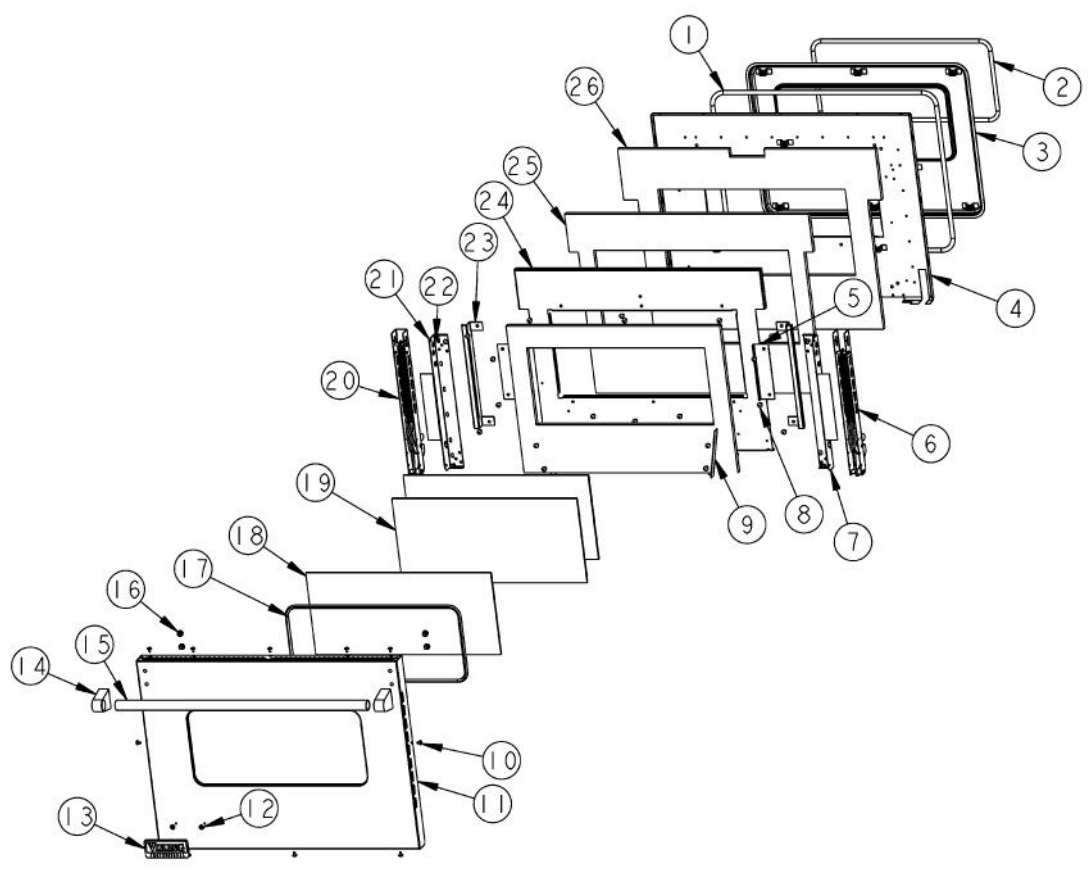
Ref #	Part Number	Qty.	Description
1	G3001876		IR BURNER ASSY (VGSC/RC) N/S
2	001348-000		BROIL INSULATION RETAINER
3	PD020060		10 X 1/2 (5/16)HEX WSHR HD.(T)A
4	PD030018		PALNUT - 3/4-16
5	PB040040		ORIFICE-IR BURNER (VGSC)
6	PB040178		90 DEGREE ORIFICE FITTING (VGSC306)
7	000921-000		3/8 ALUM TUBING ELBOW
8	B2005589		REAR BROILER BRACKET
9	PB040171		BROIL IGNITION ELECTRODE
10	PD020048		NO.10 X 1/2 TEK 410 SS SCREW
11	PE050206		RTD THERMOSTAT PROBE
12	B2001448		IR BROIL SUPT (FRONT)



Ref #	Part Number	Qty.	Description
1	G9105513		CONVECTION FAN COVER ASSY (VGSC366)
2	PD020048		NO.10 X 1/2 TEK 410 SS SCREW
3	A1002596		CONVECTION FAN COVER (VDSC)
4	PE050005		CONVECTION FAN ASSY
5	A2002595		CONVECTION FAN BOX (VDSC)
6	A2008467		INSULATION SHIELD
7	PD020063		SCREW-NO.8(A) X 3/8PH WFR HD/BK OXID
8	E91012614		LIGHT HOLE COVER
9	M0210443		SCREW-E SM
10	003083-000		NO.8-18 X 1/2 PHIL FLAT TOP TRUSS HD AB SCREW
11	001307-000		OVEN FRONT FRAME ASSY PORC
12	PB060045		OVEN RK VDSC36 REPL PB060020
13	PC020295		HINGE RECEIVER ASSEMBLY
14	PD020004		10X3/8PH.HD.TYPE 25 REPL PD040125
15	B1007913		HINGE CLIP (DESIGNER TIME PIECE)
16	PD020060		10 X 1/2 (5/16)HEX WSHR HD.(T)A
17	PE050238		HALOGEN LIGHT
18	PD020013		TYPE AB NO.6 X 3/8 PH PAN HD. SMS
19	PB060030		RACK SUPT REPL PB060010

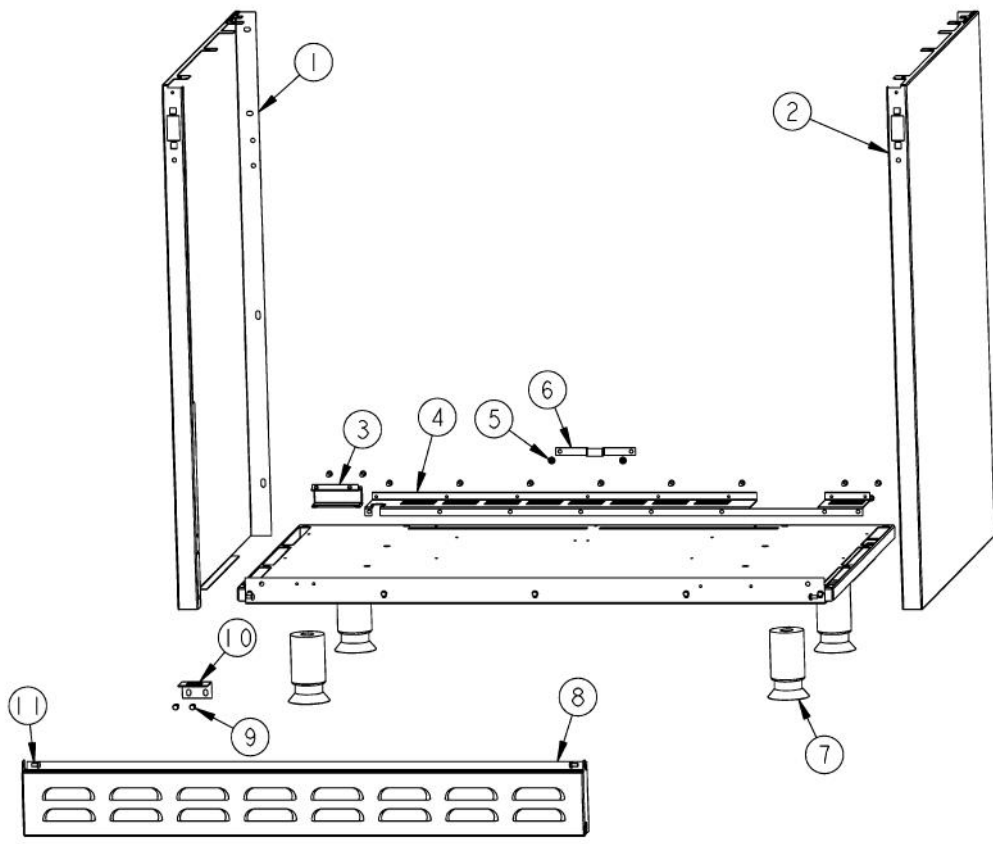


Ref #	Part Number	Qty.	Description
1	G9105526		OVEN BOTTOM ASSY (VGSC366)
2	PD020060		10 X 1/2 (5/16)HEX WSHR HD.(T)A
3	A2004424		BURNER COVER (VGSC306)
4	PB040172		3/8 X 3/8 ORIFICE FITTING
5	A2004434		ORIFICE BRACKET (VGSC306)
6	B2004415		BURNER BRACKET (VGSC306)
7	PD020048		NO.10 X 1/2 TEK 410 SS SCREW
8	PB040170		BAKE IGNITION ELECTRODE
9	006200-000		U-SHAPE BAKE BURNER 10 NAT.

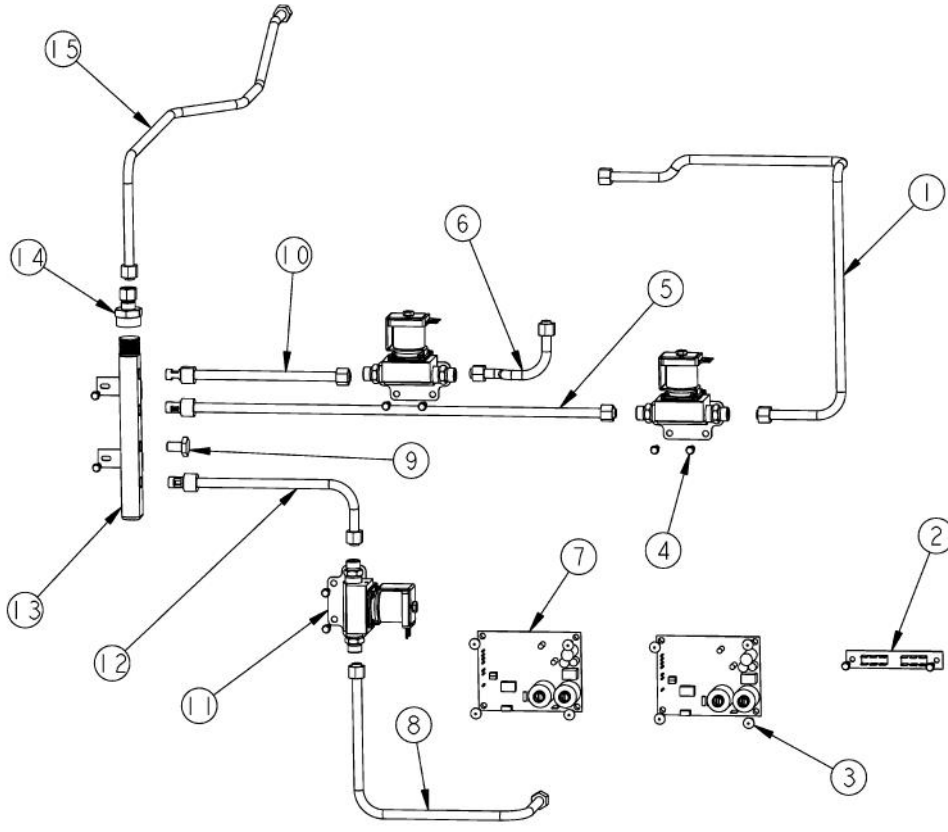


Ref #	Part Number	Qty.	Description
1	000090-000		36 DOOR GASKET
2	PB070150		FIBERGLASS ROPE, 3/8 DIA.
3	001399-000		DOOR PLUG ASSY PROC 36
4	001398-000		DOOR LINER ASSEMBLY PORC 36
5	A2002189		DOOR GLASS STANDOFF (VDSC)
6	PC020188		DOOR HINGE
7	000075-000		DOOR HINGE BRACKET
8	PD020002		10 X 1/2 PH.TR.HD.SMS.
9	A2002497		DOOR GUIDE ANGLE VDSC
10	PD020032		SRW-8(A)X3/8PH.WFR HD 7/16DIAXNICL
11	B2002798		O/S DOOR PANEL XSSX (VDSC36)
11	C9002798AL		O/S DOOR PANEL-XALX (VDSC36)
11	C9002798BK		O/S DOOR PANEL-XBKX (VDSC36)
11	C9002798BT		O/S DOOR PANEL-XBTX (VDSC36)
11	C9002798BU		O/S DOOR PANEL-XBUX (VDSC36)
11	C9002798CB		O/S DOOR PANEL-CBX (VDSC36)
11	C9002798EP		O/S DOOR PANEL-XEPX (VDSC36)
11	C9002798FG		O/S DOOR PANEL-XFGX (VDSC36)
11	C9002798GG		O/S DOOR PANEL-XGGX (VDSC36)
11	C9002798LE		O/S DOOR PANEL-XLEX (VDSC36)
11	C9002798MJ		O/S DOOR PANEL_XMJX (VDSC36)
11	C9002798SG		O/S DOOR PANEL-XSGX (VDSC36)
11	C9002798VB		O/S DOOR PANEL-XVBX (VDSC36)
11	C9002798WH		O/S DOOR PANEL-XWHX (VDSC36)
12	PD030006		CAPPED WASHER PAL NUT
13	PE010030		LOGO, 6, PRO, BK
13	PE010068		LOGO, 6, PRO, BK/BR
13	PE010031		LOGO 6 (VGRC) XBK/WHX
13	PE010076		LOGO 6 (VGRC) XBR/WHX
14	PE030001		BRACKET, DOOR, HANDLE
14	PE030001PVD		END CAP DOOR HANDLE XBR
15	PE030006		DOOR HANDLE - 36 (VGRC)
15	PE030013PVD		DOOR HANDLE (36) PVD
16	PD010019		BLT-1/4-20X3/8HEX WASHER SERATED
17	PE060031		J-MOLD (LARGE WINDOW)
17	PE060045		J-MOLD (LARGE WINDOW) XBRX
18	PE060030		GLASS-OUTER DOOR BK SCREENED,TEMP
19	PE060039		GLASS-HEAT TREATED (HB2) VDSC
20	PC020223		DOOR HINGE (LONG SPRING) NSF
21	000932-000		DOOR HINGE BRACKET
22	PD020004		10X3/8PH.HD.TYPE 25 REPL PD040125
23	A2002367		DOOR GLASS BRKT
24	A20015329		DOOR INSULATION RETAINER
25	002561-000		36 DOOR INSULATION
26	002562-000		36 DOOR PLUG INSULATION
NI	000957-007		DOOR ASSY 36 (AL)
NI	000957-107		DOOR ASSEMBLY 36 (ALBR)
NI	000957-002		DOOR ASSY 36 (BK)
NI	000957-102		DOOR ASSEMBLY 36 (BKBR)
NI	000957-003		DOOR ASSY 36 (BT)
NI	000957-103		DOOR ASSEMBLY 36 (BTBR)
NI	000957-008		DOOR ASSY 36 (BU)
NI	000957-108		DOOR ASSEMBLY 36 (BUBR)
NI	000957-013		DOOR ASSEMBLY 36 (CB)
NI	000957-113		DOOR ASSEMBLY 36 (CBBR)
NI	000957-014		DOOR ASSEMBLY 36 (EP)
NI	000957-114		DOOR ASSEMBLY 36 (EPBR)
NI	000957-011		DOOR ASSEMBLY 36 (FG)
NI	000957-111		DOOR ASSEMBLY 36 (FGBR)
NI	000957-005		DOOR ASSY 36 (GG)

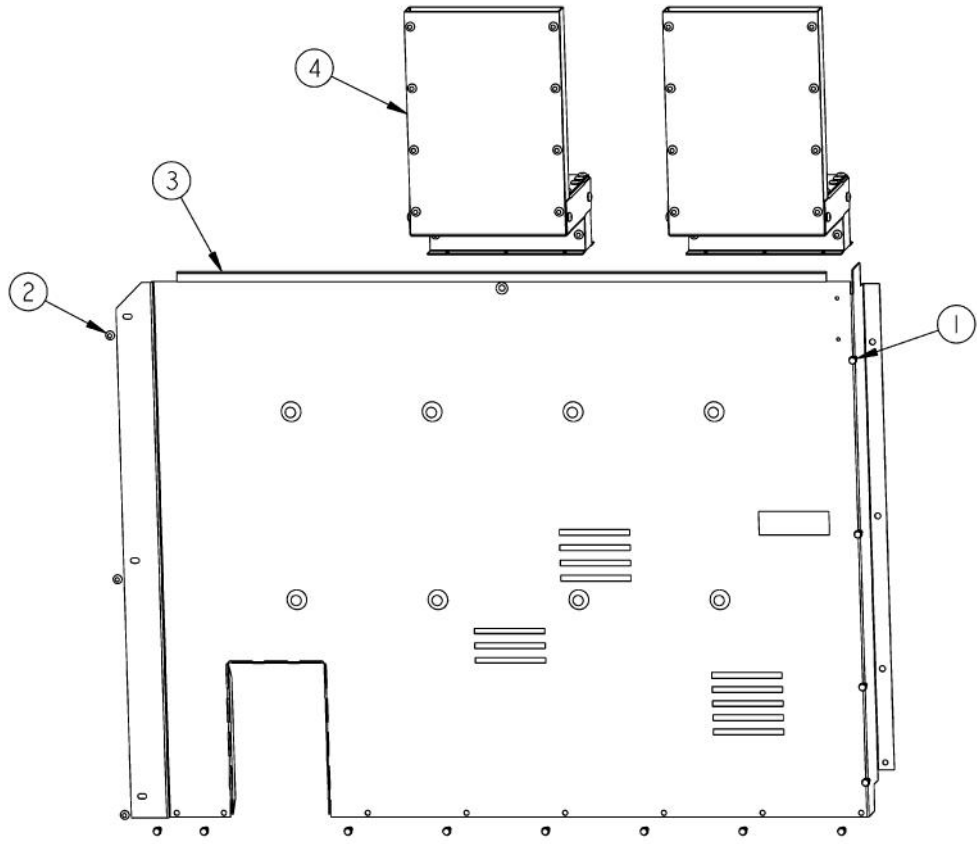
Ref #	Part Number	Qty.	Description
NI	000957-005		DOOR ASSY 36 (GG)
NI	000957-105		DOOR ASSEMBLY 36 (WHBR)
NI	000957-009		DOOR ASSEMBLY 36 (LE)
NI	000957-109		DOOR ASSEMBLY 36 (LEBR)
NI	000957-010		DOOR ASSEMBLY 36 (MJ)
NI	000957-110		DOOR ASSEMBLY 36 (MJBR)
NI	000957-004		DOOR ASSY 36 (SG)
NI	000957-104		DOOR ASSEMBLY 36 (SGBR)
NI	000957-000		DOOR ASSEMBLY 36
NI	000957-100		DOOR ASSEMBLY 36 (SSBR)
NI	000957-012		DOOR ASSEMBLY 36 (VB)
NI	000957-112		DOOR ASSEMBLY 36 (VBBR)
NI	000957-006		DOOR ASSY 36 (WH)
NI	000957-106		DOOR ASSEMBLY 36 (WHBR)



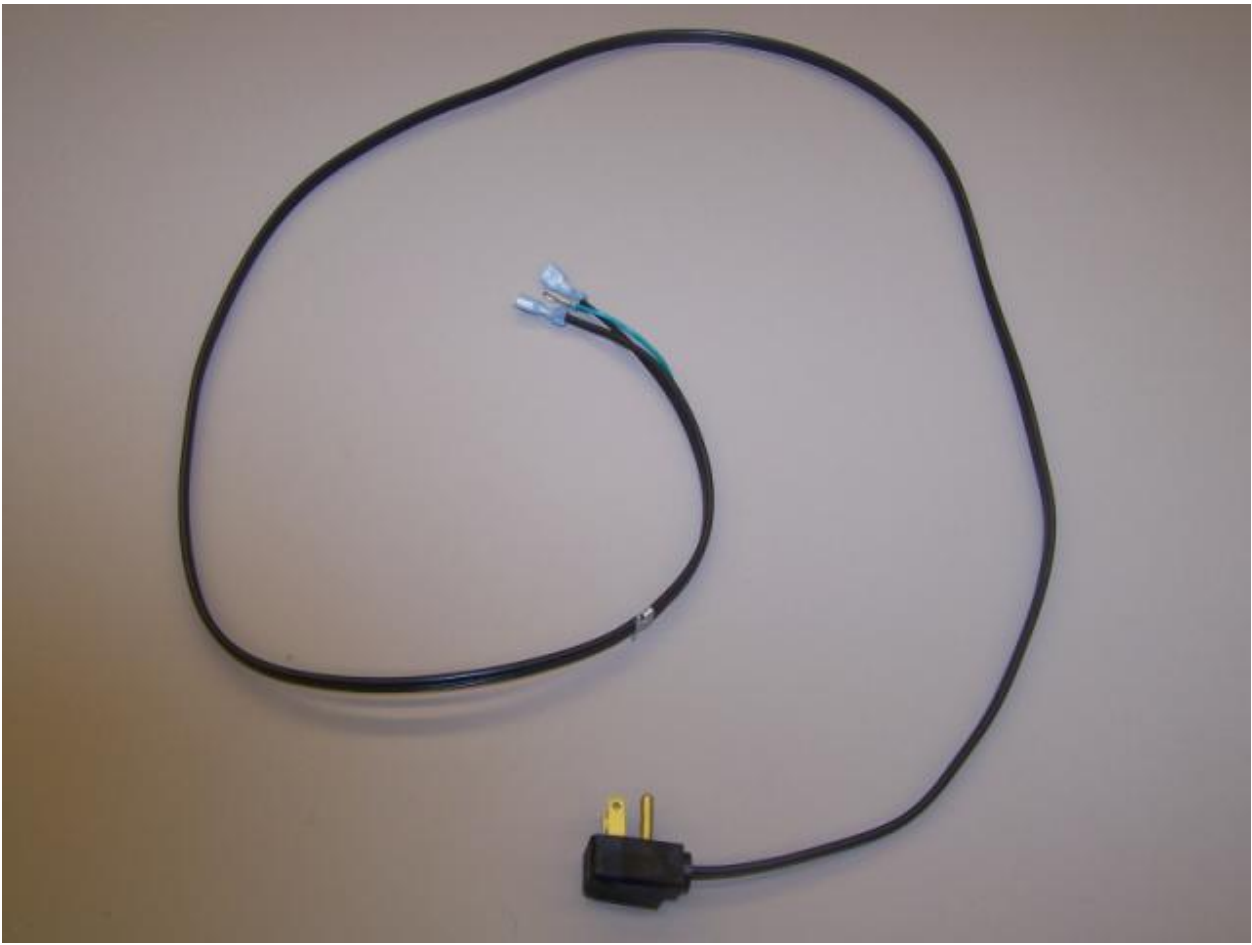
Ref #	Part Number	Qty.	Description
1	B20010180		O/S BODY PANEL - LH
1	C90010180AL		SIDE PANEL LH XALX
1	C90010180BK		SIDE PANEL LH XBKX
1	C90010180BT		SIDE PANEL LH XBTX
1	C90010180BU		SIDE PANEL LH XBUX
1	C90010180CB		SIDE PANEL LH XCBX
1	C90010180EP		SIDE PANEL LH XEPX
1	C90010180FG		SIDE PANEL LH XFGX
1	C90010180GG		SIDE PANEL LH XGGX
1	C90010180LE		SIDE PANEL LH XLEX
1	C90010180MJ		SIDE PANEL LH XMJX
1	C90010180SG		SIDE PANEL LH XSGX
1	C90010180VB		SIDE PANEL LH XVBX
1	C90010180WH		SIDE PANEL LH XWHX
2	B20010179		O/S BODY PANEL - RH
2	C90010179AL		SIDE PANEL RH XALX
2	C90010179BK		SIDE PANEL RH XBKX
2	C90010179BT		SIDE PANEL RH XBTX
2	C90010179BU		SIDE PANEL RH XBUX
2	C90010179CB		SIDE PANEL RH XCBX
2	C90010179EP		SIDE PANEL RH XEPX
2	C90010179FG		SIDE PANEL RH XFGX
2	C90010179GG		SIDE PANEL RH XGGX
2	C90010179LE		SIDE PANEL RH XLEX
2	C90010179MJ		SIDE PANEL RH XMJX
2	C90010179SG		SIDE PANEL RH XSGX
2	C90010179VB		SIDE PANEL RH XVBX
2	C90010179WH		SIDE PANEL RH XWHX
3	A2004481		WIRE CHANNEL RH (VGSC306)
4	A2005523		FLUE HEAT SHIELD
5	M0210443		SCREW-E SM
6	A2004428		REAR BOTTOM BRCKT (VGSC306)
7	PC030017		4 LEG ASSY
8	B2001504		LWR ACC PNL - RPLCS B2001977
8	C9001504AL		LWR ACC PNL - RPLCS C9001977AL
8	C9001504BK		LWR ACC PNL - RPLCS C9001977BK
8	C9001504BT		LWR ACC PNL - RPLCS C9001977BT
8	C9001504BU		LWR ACC PNL - RPLCS C9001977BU
8	C9001504CB		LWR ACC PNL - RPLCS C9001977CB
8	C9001504EP		LWR ACC PNL - RPLCS C9001977EP
8	C9001504FG		LWR ACC PNL - RPLCS C9001977FG
8	C9001504GG		LWR ACC PNL - RPLCS C9001977GG
8	C9001504LE		LWR ACC PNL - RPLCS C9001977LE
8	C9001504MJ		LWR ACC PNL - RPLCS C9001977MJ
8	C9001504SG		LWR ACC PNL - RPLCS C9001977SG
8	C9001504VB		LWR ACC PNL - RPLCS C9001977VB
8	C9001504WH		LWR ACC PNL - RPLCS C9001977WH
9	PD020060		10 X 1/2 (5/16)HEX WSHR HD.(T)A
10	A20012922		DISCONNECT POWER BRACKET
11	PD020004		10X3/8PH.HD.TYPE 25 REPL PD040125



Ref #	Part Number	Qty.	Description
1	001308-000		GRIDDLE TUBING
2	PE050001		TERMINAL BOARD
3	PD020014		10X3/4 PH TR HD SMS
4	PD020060		10 X 1/2 (5/16)HEX WSHR HD.(T)A
5	000922-000		3/8 GRIDDLE TUBING
6	000921-000		3/8 ALUM TUBING ELBOW
7	PA020056		TYTRONICS DSI MODULE
8	000919-000		3/8 ALUM TUBING
9	PA010012		ROPER PLUG
10	001362-000		BROIL VALVE TUBING
11	003226-000	1	FJT VALVE - NO NUT/FERRELL
12	001363-000		3/8 BAKE TUBING
13	000863-000		4 PORT MANIFOLD
14	001290-000		1/2 NPT TO 3/8 COMPRESSION ADT- FEMALE
15	001539-000		X-REC PAN SCREW ST ZN-PLT 31.2121.13



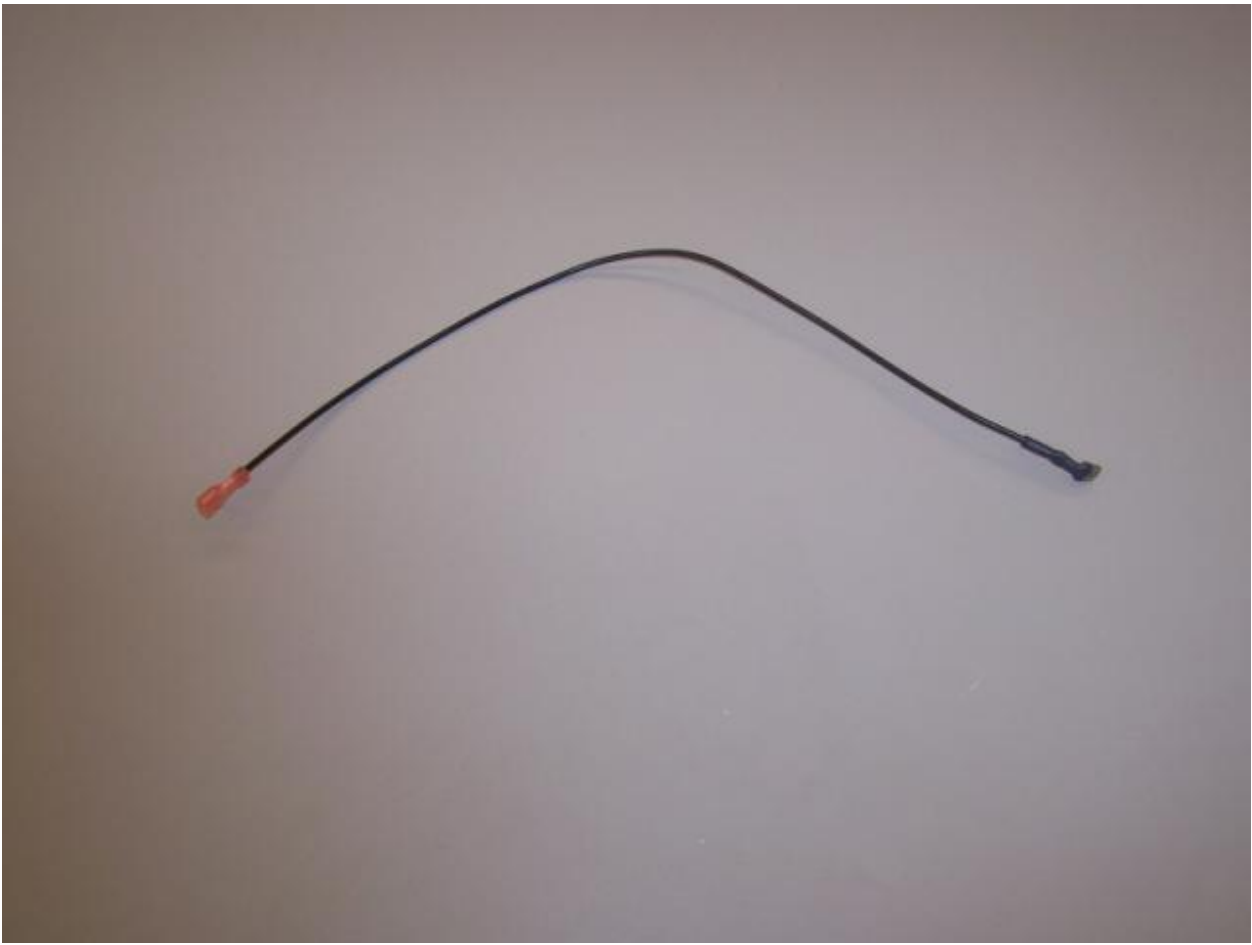
Ref #	Part Number	Qty.	Description
1	PD020060		10 X 1/2 (5/16)HEX WSHER HD.(T)A
2	PD020004		10X3/8PH.HD.TYPE 25 REPL PD040125
3	A2005522		OUTSIDE BACK (VGSC366)
4	000967-000		FLUE ASSY



Ref #	Part Number	Qty.	Description
1	G4008493		SUPPLY CORD ASSY- VGSU



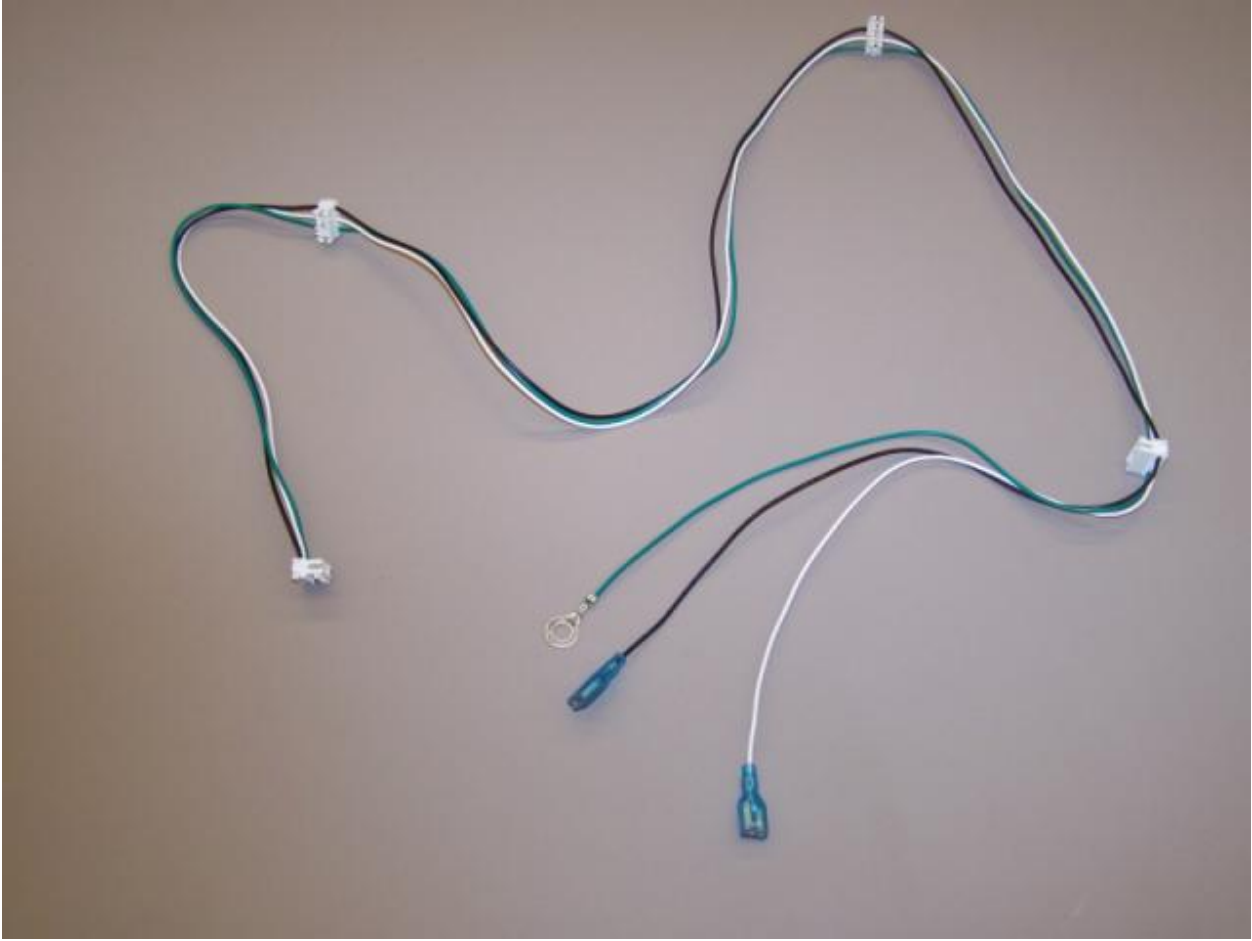
Ref #	Part Number	Qty.	Description
1	PE070245		LIGHT EXTENTION HARNESS (VGSC306) (MAY NOT BE USED ON ALL UNITS)



Ref #	Part Number	Qty.	Description
1	001914-000		WIRE, ASSY, BROIL IGNITOR



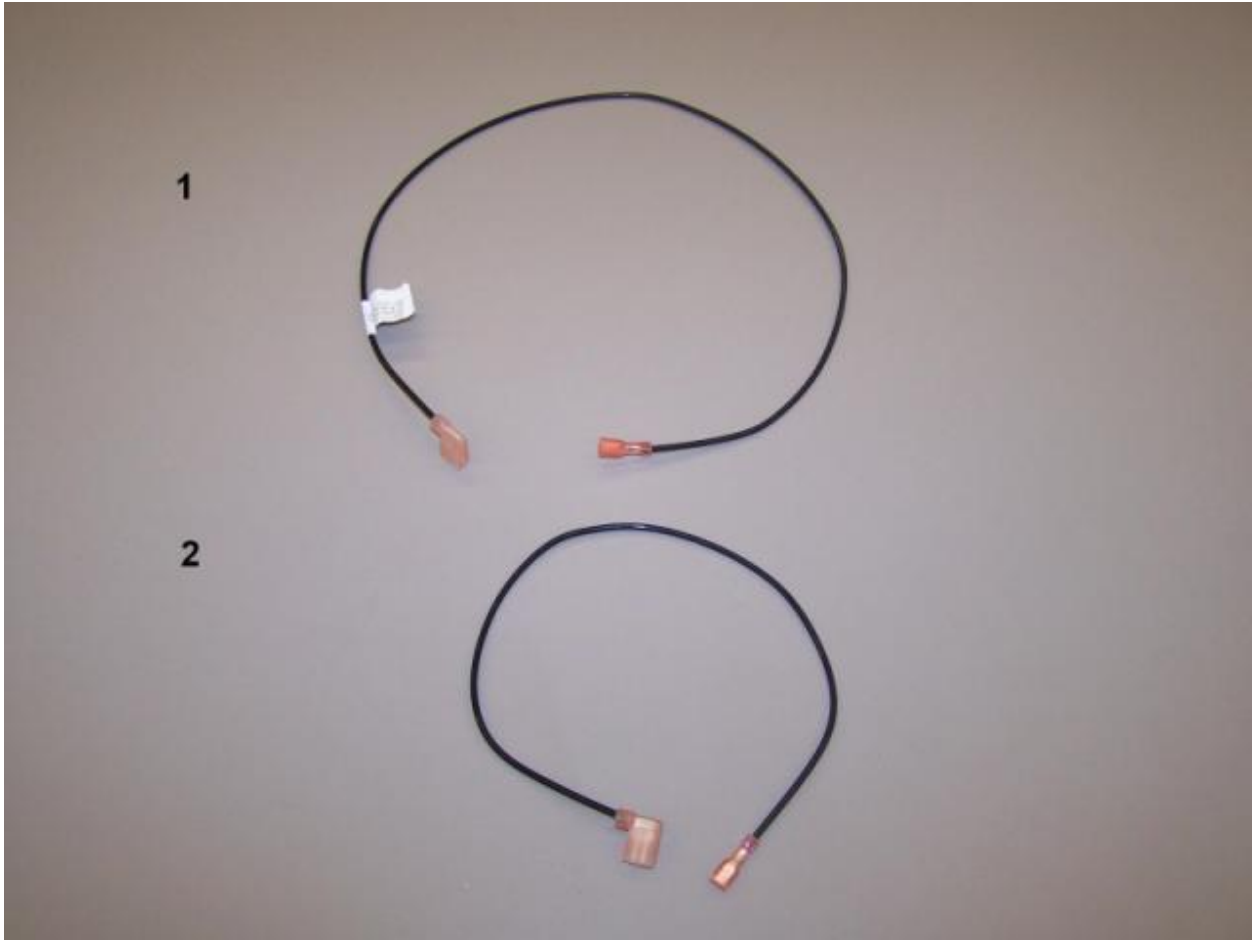
<u>Ref #</u>	<u>Part Number</u>	<u>Qty.</u>	<u>Description</u>
1	003143-000		BAKE IGNITOR WIRE 36



Ref #	Part Number	Qty.	Description
1	PE070889		IRIS HARNESS - 30



Ref #	Part Number	Qty.	Description
1	001754-000		HARNESS POWER DISCONNECT



Ref #	Part Number	Qty.	Description
1	000648-000		IRIS IGNITER WIRE - REAR
2	000647-000		IRIS IGNITOR WIRE, FRONT BURNER



Ref #	Part Number	Qty.	Description
1	001731-000		HARNESS VGIC364G