

This Owner's Manual is provided and hosted by [Appliance Factory Parts](#).



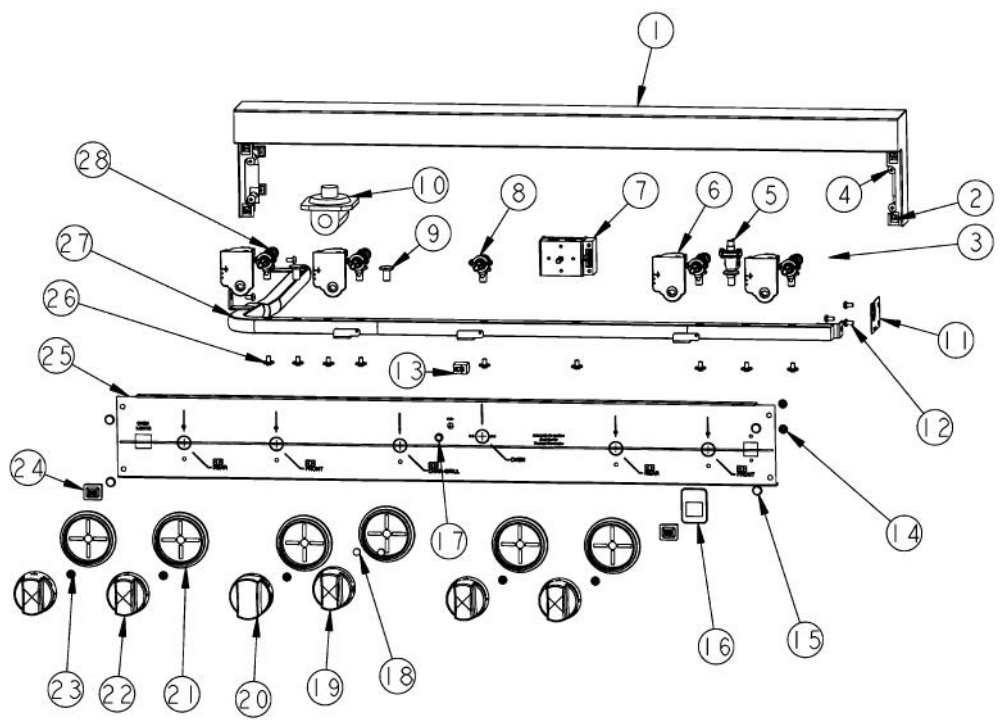
VIKING VGIC366-4Q Owner's Manual

**[Shop genuine replacement parts for VIKING
VGIC366-4Q](#)**

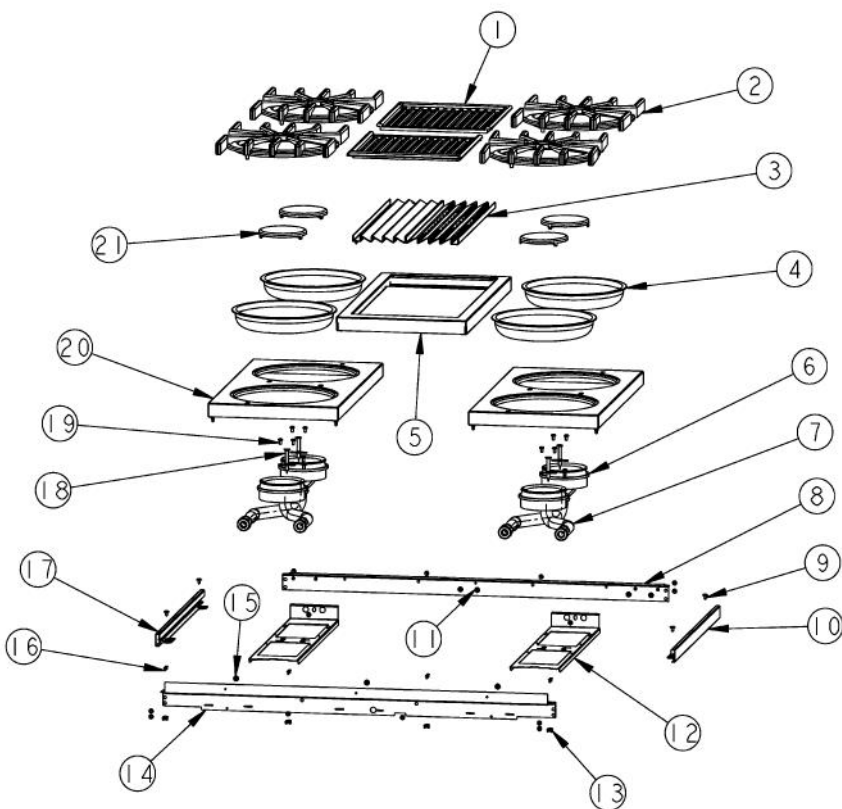


[Find Your VIKING Range Hoods Parts - Select From 411 Models](#)

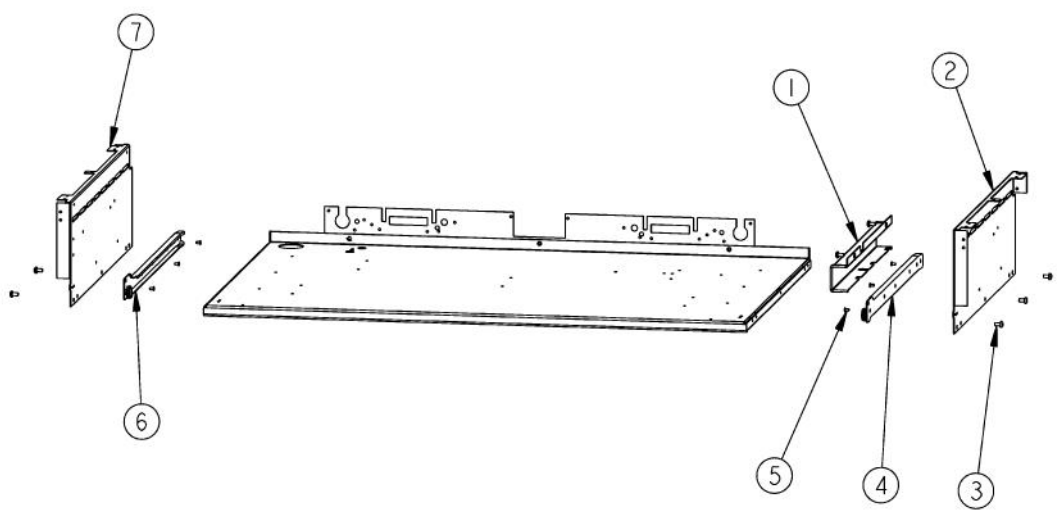
----- Manual continues below -----



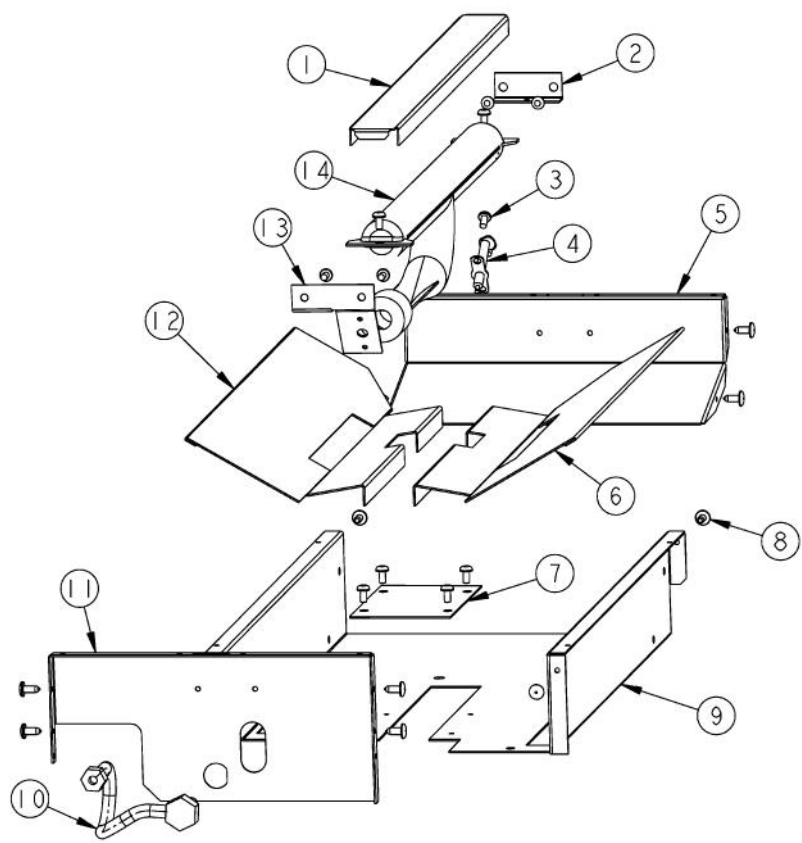
Ref #	Part Number	Qty.	Description
1	G3001585		36 LANDING LEDGE
2	PD030005		SELF RETAINING NUT
3	PD010003		10-24 X 1/2 PH.TR.HD.SERD.M.S.
4	PD010003		10-24 X 1/2 PH.TR.HD.SERD.M.S.
5	PB030007		SHUT OFF VALVE
6	PA020058		IRIS SINGLE SPARK MODULE
7	000336-000		ELECTRONIC THERMOSTAT - 2 POS.
8	PA010157		SUB TO 003515-000 - RANGE TOP BURNER VALVE
9	002884-000		MANIFOLD PLUG
10	PA070001		PRESSURE REGULATOR (NAT.)
11	A1001138		MANIFOLD BRKT
12	PD020004		10X3/8PH.HD.TYPE 25 REPL PD040125
13	PE050024		OVEN IND. LIGHT (LIGHT HOUSING)
14	PD030006		CAPPED WASHER PAL NUT
15	PD020033		SRW-NO.10-24X1/2T(23)PH.WFR HD (NKL)
16	PE010081		CONVECTION-LABEL/PLATE (CHROME)
	PE010082		CONVECTION-LABEL/PLATE (XBRX)
17	PE050023		OVEN IND. LIGHT (LENS & BEZEL)
18	PD020044		NO.8-32 X 1/4 PH. TR. HD. M.S.
19	000447-000		THERMOSTAT KNOB SELF-CLEAN (BK)
	000447-006		OVEN KNOB WITH BROIL(WH)
20	000448-000		GRIDDLE KNOB XBKX
	000448-006		GRIDDLE KNOB (WH)
21	PB010208		BEZEL, CHROME PLATE
	PB010209		BEZEL BRASS
22	PB010206		VGSC,VGRC,VGRT TOP BURNER KNOB(BK)
	PB010207		VGSC,VGRC,VGRT TOP BURNER KNOB(WH)
23	PD020046		NO.8 X 1/2 SCREWS
24	PE050016		OVEN LIGHT SWITCH - XBKX (WES-GAR)
	PE050017		OVEN LIGHT SWITCH - XWHX (WES-GAR)
25	B9201281		CTRL PAN - VGRC365-4G XSLK SCRX
26	PD010012		VALVE BOLT 1/4-20 UNC-2B 5/16 M.S.
27	PA050114		MANIFOLD



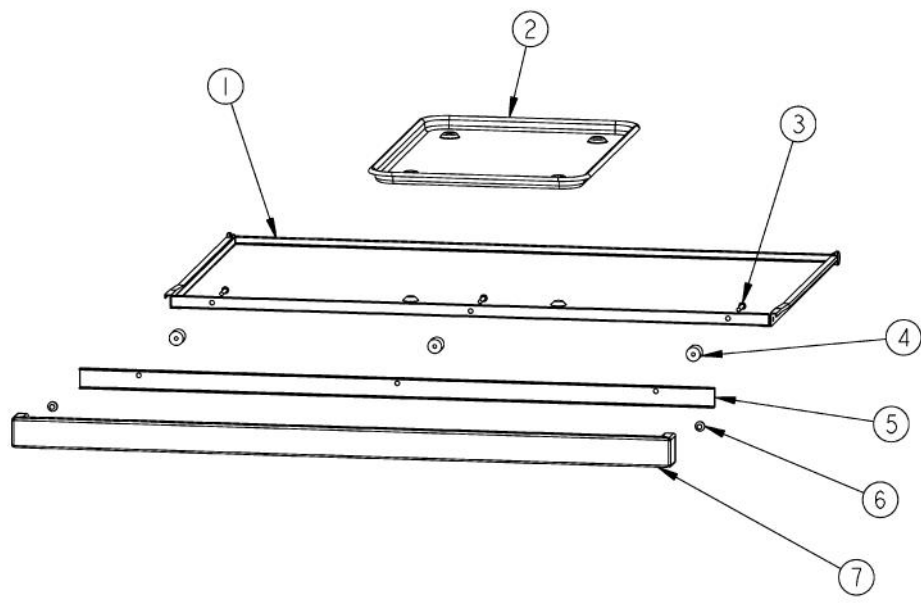
Ref #	Part Number	Qty.	Description
1	PA060058		GRILL GRATE - MATT XBKX RE PA060028
2	PA060037		GRATE BK REPL PA060024 (GEN.NO.2)
3	E9101130BK		GRILL SMOKE GENERATOR
4	PA030002BK		BURNER BOWL (VGRT) XXBKXX
	PA030002WH		BURNER BOWL (VGRT) XXWHXX
5	G9101182BK		GRILL GRATE SUPT (VGRT) XBKX
	G9101182WH		GRILL GRATE SUPT (VGRT) XWHX
6	PA080036		TOP BURNER REAR REPL PA080008
7	PA080037		TOP BURNER FRONT REPL PA080007
8	A2005514		REAR BURNER SUPPORT
9	PD020032		SRW-8(A)X3/8PH.WFR HD 7/16DIAXNICL
10	B2002345		SIDE TRIM - RH (VGSS)
	C9302345BR		SIDE TRIM - RH (VGSS) XBRX
11	PD020003		NO.10 X 1/2 T(A) HEX WASHER HEAD
12	A2001112		BURNER SUPT (VGRT)
13	PD010016		BALL STUD FASTEN
14	001347-000		FRONT SUPT (36)
15	PD020002		10 X 1/2 PH.TR.HD.SMS.
16	PC040010		POP RIVET
17	B2002346		SIDE TRIM - LH (VGSS)
	C9302346BR		SIDE TRIM - LH (VGSS) XBRX
18	PA020028		SPARK IGNITER
19	PD020004		10X3/8PH.HD.TYPE 25 REPL PD040125
20	G50013584BK		GRATE SUPPORT SERVICE KIT (BK)
	G50013584WH		GRATE SUPPORT SERVICE KIT (WH)
21	PA080015		BURNER CAP-VGRT XBKX



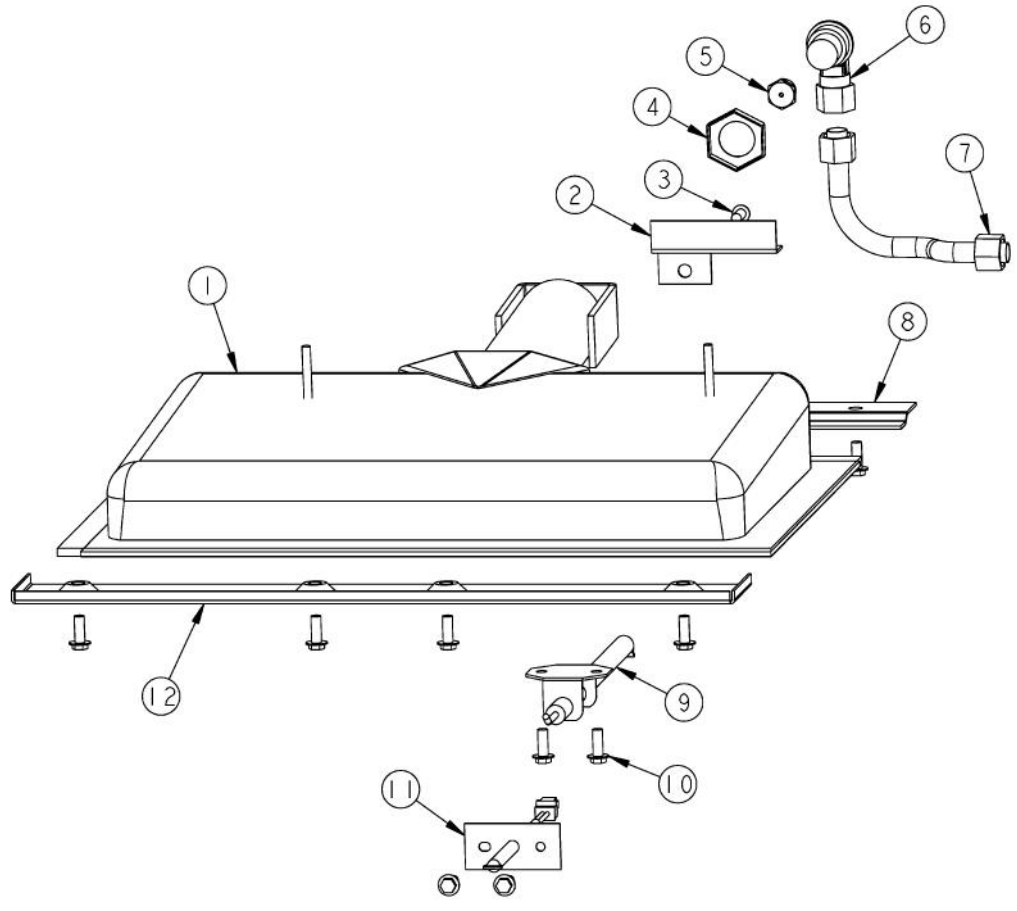
Ref #	Part Number	Qty.	Description
1	A2000210		WIRE CHANNEL
2	002888-000		BURNER BOX SIDE-RH
3	PD020004		10X3/8PH.HD.TYPE 25 REPL PD040125
4	PK000008		DRIP TRAY GUIDE - RH
5	PC040010		POP RIVET
6	PK000007		DRIP TRAY GUIDE - LH (VGRT)
7	002889-000		BURNER BOX SIDE-LH



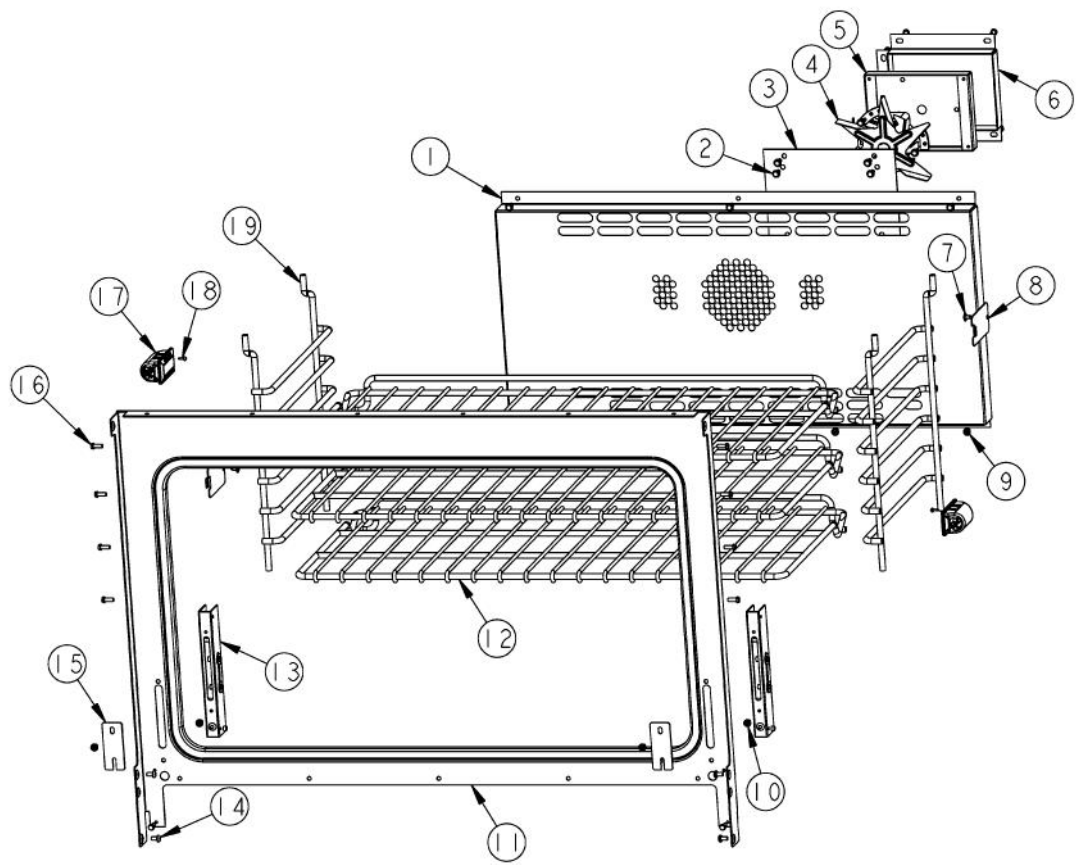
Ref #	Part Number	Qty.	Description
1	B2001140		GRILL FLAME SHIELD (VGRT)
2	A2001132		REAR GRILL BURNER BRKT (VGRT)
3	PD020004		10X3/8PH.HD.TYPE 25 REPL PD040125
4	PA020028		SPARK IGNITER
5	A2001855		GRILL BACK - (VGRC605)
6	B20010163		HEAT DEFLECTOR
7	A1001862		GRILL VENTURI COVER (VGRC605)
8	PD020002		10 X 1/2 PH.TR.HD.SMS.
9	A2001852		GRILL BOX - (VGRC605)
10	PB020025		TUBING-GRILL (REVISED) REP PB020021
11	A2001631		GRILL BOX FRONT (VGRC)
12	B2009846		HEAT DEFLECTOR
13	A2001633		GRILL FRONT SPARKER BRKT (VGRC)
14	PB050077		GRILL BURNER



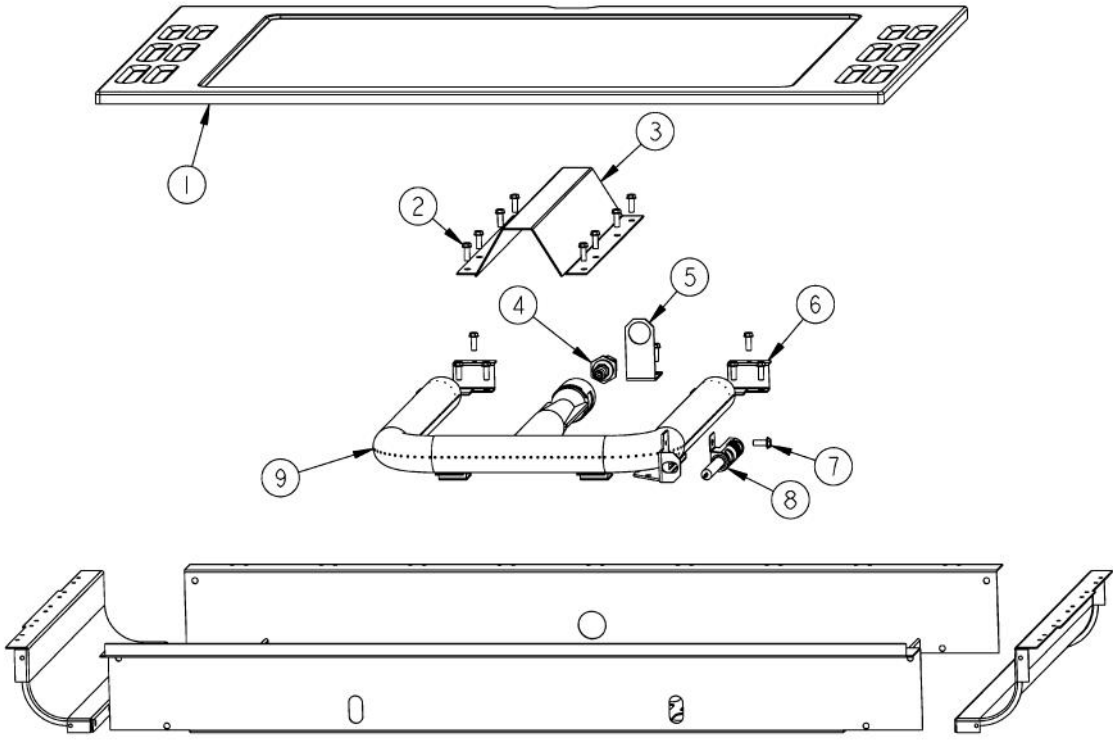
Ref #	Part Number	Qty.	Description
1	G30010455		36 DRIP TAY ASSY
2	PB080061		GREASE PAN
3	PD020079		NO.10 X 1 1/4 PH. PAN HD. T(A) NYLOK
4	PD040028		BUSHING(.194ID/.750OD/.750LONG)
5	A20010692		DRIP TRAY HANDLE BACK 36
6	PD040004		GROMMET BUMPER
7	G30010696		DRIP TRAY HANDLE ASSY 36
	G93011459PVD		DRIP TRAY HANDLE ASSY 36 PVD



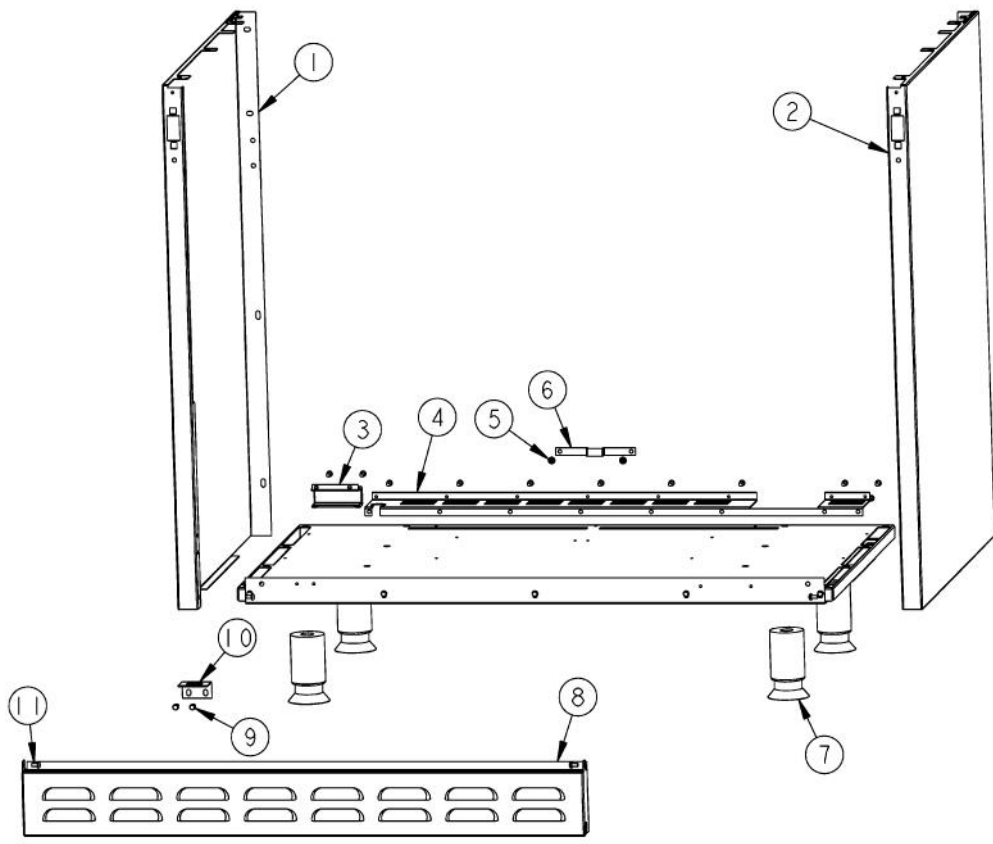
Ref #	Part Number	Qty.	Description
1	G3001876		IR BURNER ASSY (VGSC/RC) N/S
2	001348-000		BROIL INSULATION RETAINER
3	PD020060		10 X 1/2 (5/16)HEX WSHR HD.(T)A
4	PD030018		PALNUT - 3/4-16
5	PB040040		ORIFICE-IR BURNER (VGSC)
6	PB040178		90 DEGREE ORIFICE FITTING (VGSC306)
7	000921-000		3/8 ALUM TUBING ELBOW
8	B2005589		REAR BROILER BRACKET
9	PB040171		BROIL IGNITION ELECTRODE
10	PD020048		NO.10 X 1/2 TEK 410 SS SCREW
11	PE050206		RTD THERMOSTAT PROBE
12	B2001448		IR BROIL SUPT (FRONT)



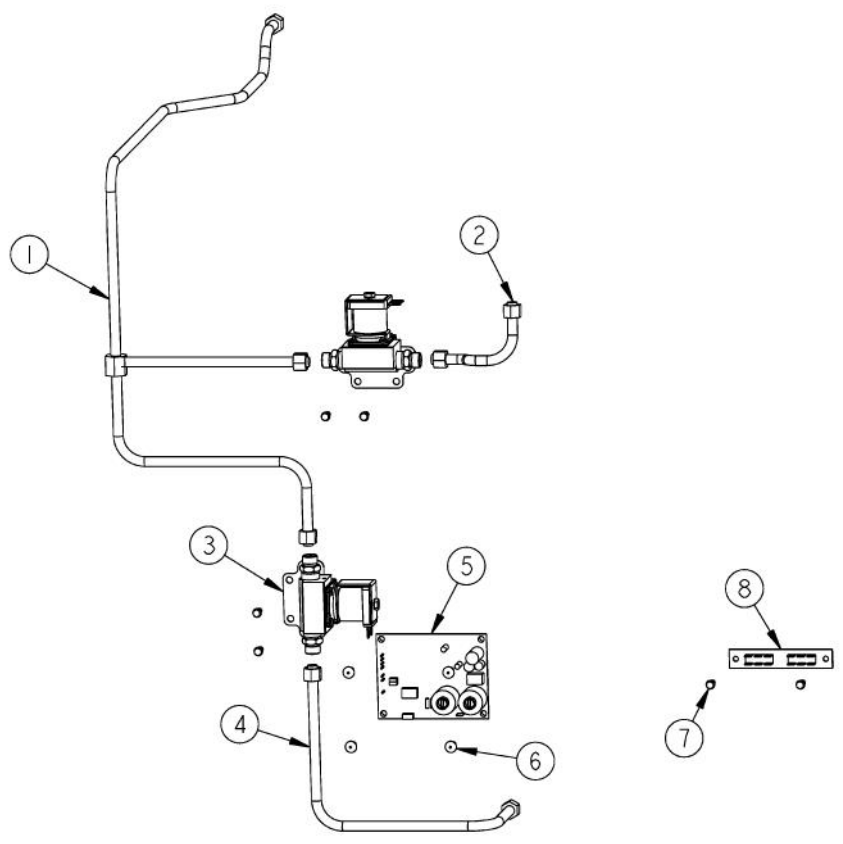
Ref #	Part Number	Qty.	Description
1	G9105513		CONVECTION FAN COVER ASSY (VGSC366)
2	PD020048		NO.10 X 1/2 TEK 410 SS SCREW
3	A1002596		CONVECTION FAN COVER (VDSC)
4	PE050005		CONVECTION FAN ASSY
5	A2002595		CONVECTION FAN BOX (VDSC)
6	A2008467		INSULATION SHIELD
7	PD020063		SCREW-NO.8(A) X 3/8PH WFR HD/BK OXID
8	E91012614		LIGHT HOLE COVER
9	M0210443		SCREW-E SM
10	003083-000		NO.8-18 X 1/2 PHIL FLAT TOP TRUSS HD AB SCREW
11	001307-000		OVEN FRONT FRAME ASSY PORC
12	PB060045		OVEN RK VDSC36 REPL PB060020
13	PC020295		HINGE RECEIVER ASSEMBLY
14	PD020004		10X3/8PH.HD.TYPE 25 REPL PD040125
15	B1007913		HINGE CLIP (DESIGNER TIME PIECE)
16	PD020060		10 X 1/2 (5/16)HEX WSHR HD.(T)A
17	PE050238		HALOGEN LIGHT
18	PD020013		TYPE AB NO.6 X 3/8 PH PAN HD. SMS
19	PB060030		RACK SUPT REPL PB060010



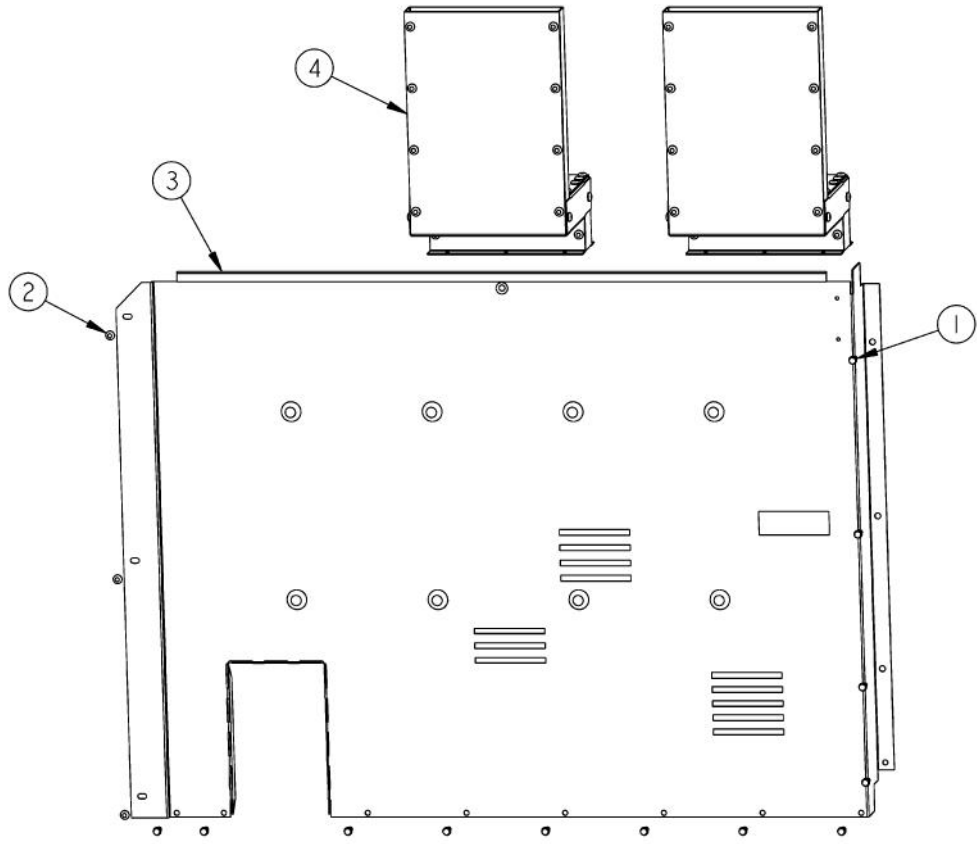
Ref #	Part Number	Qty.	Description
1	G9105526		OVEN BOTTOM ASSY (VGSC366)
2	PD020060		10 X 1/2 (5/16)HEX WSHR HD.(T)A
3	A2004424		BURNER COVER (VGSC306)
4	PB040172		3/8 X 3/8 ORIFICE FITTING
5	A2004434		ORIFICE BRACKET (VGSC306)
6	B2004415		BURNER BRACKET (VGSC306)
7	PD020048		NO.10 X 1/2 TEK 410 SS SCREW
8	PB040170		BAKE IGNITION ELECTRODE
9	006200-000		U-SHAPE BAKE BURNER 10 NAT.



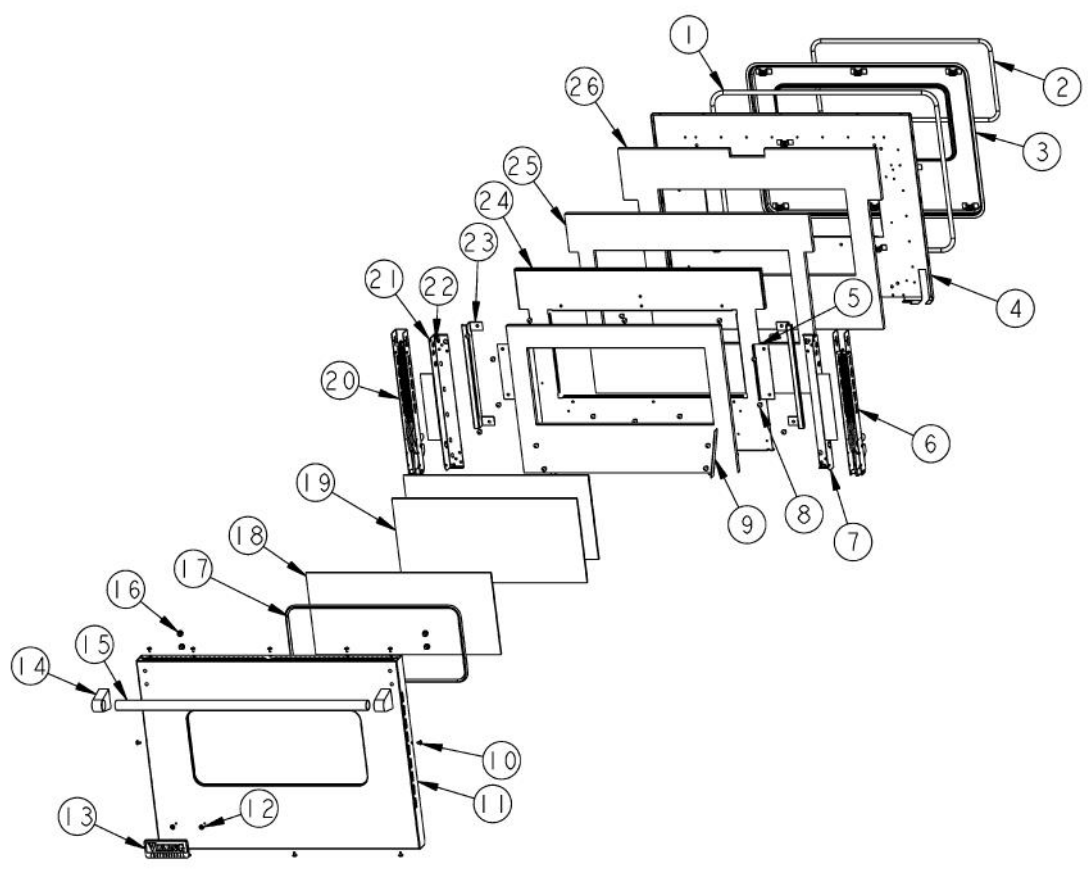
Ref #	Part Number	Qty.	Description
1	B20010180		O/S BODY PANEL - LH
	C90010180AL		SIDE PANEL LH XALX
	C90010180BK		SIDE PANEL LH XBKX
	C90010180BT		SIDE PANEL LH XBTX
	C90010180BU		SIDE PANEL LH XBUX
	C90010180CB		SIDE PANEL LH XCBX
	C90010180EP		SIDE PANEL LH XEPX
	C90010180FG		SIDE PANEL LH XFGX
	C90010180GG		SIDE PANEL LH XGGX
	C90010180LE		SIDE PANEL LH XLEX
	C90010180MJ		SIDE PANEL LH XMJX
	C90010180SG		SIDE PANEL LH XSGX
	C90010180VB		SIDE PANEL LH XVBX
	C90010180WH		SIDE PANEL LH XWHX
2	B20010179		O/S BODY PANEL - RH
	C90010179AL		SIDE PANEL RH XALX
	C90010179BK		SIDE PANEL RH XBKX
	C90010179BT		SIDE PANEL RH XBTX
	C90010179BU		SIDE PANEL RH XBUX
	C90010179CB		SIDE PANEL RH XCBX
	C90010179EP		SIDE PANEL RH XEPX
	C90010179FG		SIDE PANEL RH XFGX
	C90010179GG		SIDE PANEL RH XGGX
	C90010179LE		SIDE PANEL RH XLEX
	C90010179MJ		SIDE PANEL RH XMJX
	C90010179SG		SIDE PANEL RH XSGX
	C90010179VB		SIDE PANEL RH XVBX
	C90010179WH		SIDE PANEL RH XWHX
3	A2004481		WIRE CHANNEL RH (VGSC306)
4	A2005523		FLUE HEAT SHIELD
5	M0210443		SCREW-E SM
6	A2004428		REAR BOTTOM BRCKT (VGSC306)
7	PC030017		4 LEG ASSY
8	B2001504		LWR ACC PNL - RPLCS B2001977
	C9001504AL		LWR ACC PNL - RPLCS C9001977AL
	C9001504BK		LWR ACC PNL - RPLCS C9001977BK
	C9001504BT		LWR ACC PNL - RPLCS C9001977BT
	C9001504BU		LWR ACC PNL - RPLCS C9001977BU
	C9001504CB		LWR ACC PNL - RPLCS C9001977CB
	C9001504EP		LWR ACC PNL - RPLCS C9001977EP
	C9001504FG		LWR ACC PNL - RPLCS C9001977FG
	C9001504GG		LWR ACC PNL - RPLCS C9001977GG
	C9001504LE		LWR ACC PNL - RPLCS C9001977LE
	C9001504MJ		LWR ACC PNL - RPLCS C9001977MJ
	C9001504SG		LWR ACC PNL - RPLCS C9001977SG
	C9001504VB		LWR ACC PNL - RPLCS C9001977VB
	C9001504WH		LWR ACC PNL - RPLCS C9001977WH
9	PD020060		10 X 1/2 (5/16)HEX WSHR HD.(T)A
10	A20012922		DISCONNECT POWER BRACKET
11	PD020004		10X3/8PH.HD.TYPE 25 REPL PD040125



Ref #	Part Number	Qty.	Description
1	001538-000		3/8 ALUM MANIFOLD TUBING
2	000921-000		3/8 ALUM TUBING ELBOW
3	003226-000	1	FJT VALVE - NO NUT/FERRELL
4	000919-000		3/8 ALUM TUBING
5	PA020056		TYTRONICS DSI MODULE
6	PD020014		10X3/4 PH TR HD SMS
7	PD020060		10 X 1/2 (5/16)HEX WSHR HD.(T)A
8	PE050001		TERMINAL BOARD



Ref #	Part Number	Qty.	Description
1	PD020060		10 X 1/2 (5/16)HEX WSHER HD.(T)A
2	PD020004		10X3/8PH.HD.TYPE 25 REPL PD040125
3	A2005522		OUTSIDE BACK (VGSC366)
4	000965-000		VENT BOTTOM



Ref #	Part Number	Qty.	Description
1	000090-000		36 DOOR GASKET
2	PB070150		FIBERGLASS ROPE, 3/8 DIA.
3	001399-000		DOOR PLUG ASSY PROC 36
4	001398-000		DOOR LINER ASSEMBLY PORC 36
5	A2002189		DOOR GLASS STANDOFF (VDSC)
6	PC020188		DOOR HINGE
7	000075-000		DOOR HINGE BRACKET
8	PD020002		10 X 1/2 PH.TR.HD.SMS.
9	A2002497		DOOR GUIDE ANGLE VDSC
10	PD020032		SRW-8(A)X3/8PH.WFR HD 7/16DIAXNICL
11	B2002798		O/S DOOR PANEL XSSX (VDSC36)
	C9002798AL		O/S DOOR PANEL-XALX (VDSC36)
	C9002798BK		O/S DOOR PANEL-XBKX (VDSC36)
	C9002798BT		O/S DOOR PANEL-XBTX (VDSC36)
	C9002798BU		O/S DOOR PANEL-XBUX (VDSC36)
	C9002798CB		O/S DOOR PANEL-CBX (VDSC36)
	C9002798EP		O/S DOOR PANEL-XEPX (VDSC36)
	C9002798FG		O/S DOOR PANEL-XFGX (VDSC36)
	C9002798GG		O/S DOOR PANEL-XGGX (VDSC36)
	C9002798LE		O/S DOOR PANEL-XLEX (VDSC36)
	C9002798MJ		O/S DOOR PANEL_XMJX (VDSC36)
	C9002798SG		O/S DOOR PANEL-XSGX (VDSC36)
	C9002798VB		O/S DOOR PANEL-XVBX (VDSC36)
	C9002798WH		O/S DOOR PANEL-XWHX (VDSC36)
12	PD030006		CAPPED WASHER PAL NUT
13	PE010030		LOGO, 6, PRO, BK
	PE010068		LOGO, 6, PRO, BK/BR
	PE010031		LOGO 6 (VGRC) XBK/WHX
	PE010076		LOGO 6 (VGRC) XBR/WHX
14	PE030001		BRACKET, DOOR, HANDLE
	PE030001PVD		END CAP DOOR HANDLE XBR
15	PE030006		DOOR HANDLE - 36 (VGRC)
	PE030013PVD		DOOR HANDLE (36) PVD
16	PD010019		BLT-1/4-20X3/8HEX WASHER SERATED
17	PE060031		J-MOLD (LARGE WINDOW)
	PE060045		J-MOLD (LARGE WINDOW) XBRX
18	PE060030		GLASS-OUTER DOOR BK SCREENED,TEMP
19	PE060039		GLASS-HEAT TREATED (HB2) VDSC
20	PC020223		DOOR HINGE (LONG SPRING) NSF
21	000932-000		DOOR HINGE BRACKET
22	PD020004		10X3/8PH.HD.TYPE 25 REPL PD040125
23	A2002367		DOOR GLASS BRKT
24	A20015329		DOOR INSULATION RETAINER
25	002561-000		36 DOOR INSULATION
26	002562-000		36 DOOR PLUG INSULATION
No.	000957-007		DOOR ASSY 36 (AL)
	000957-107		DOOR ASSEMBLY 36 (ALBR)
	000957-002		DOOR ASSY 36 (BK)
	000957-102		DOOR ASSEMBLY 36 (BKBR)
	000957-003		DOOR ASSY 36 (BT)
	000957-103		DOOR ASSEMBLY 36 (BTBR)
	000957-008		DOOR ASSY 36 (BU)
	000957-108		DOOR ASSEMBLY 36 (BUBR)
	000957-013		DOOR ASSEMBLY 36 (CB)
	000957-113		DOOR ASSEMBLY 36 (CBBR)
	000957-014		DOOR ASSEMBLY 36 (EP)
	000957-114		DOOR ASSEMBLY 36 (EPBR)
	000957-011		DOOR ASSEMBLY 36 (FG)
	000957-111		DOOR ASSEMBLY 36 (FGBR)
	000957-005		DOOR ASSY 36 (GG)

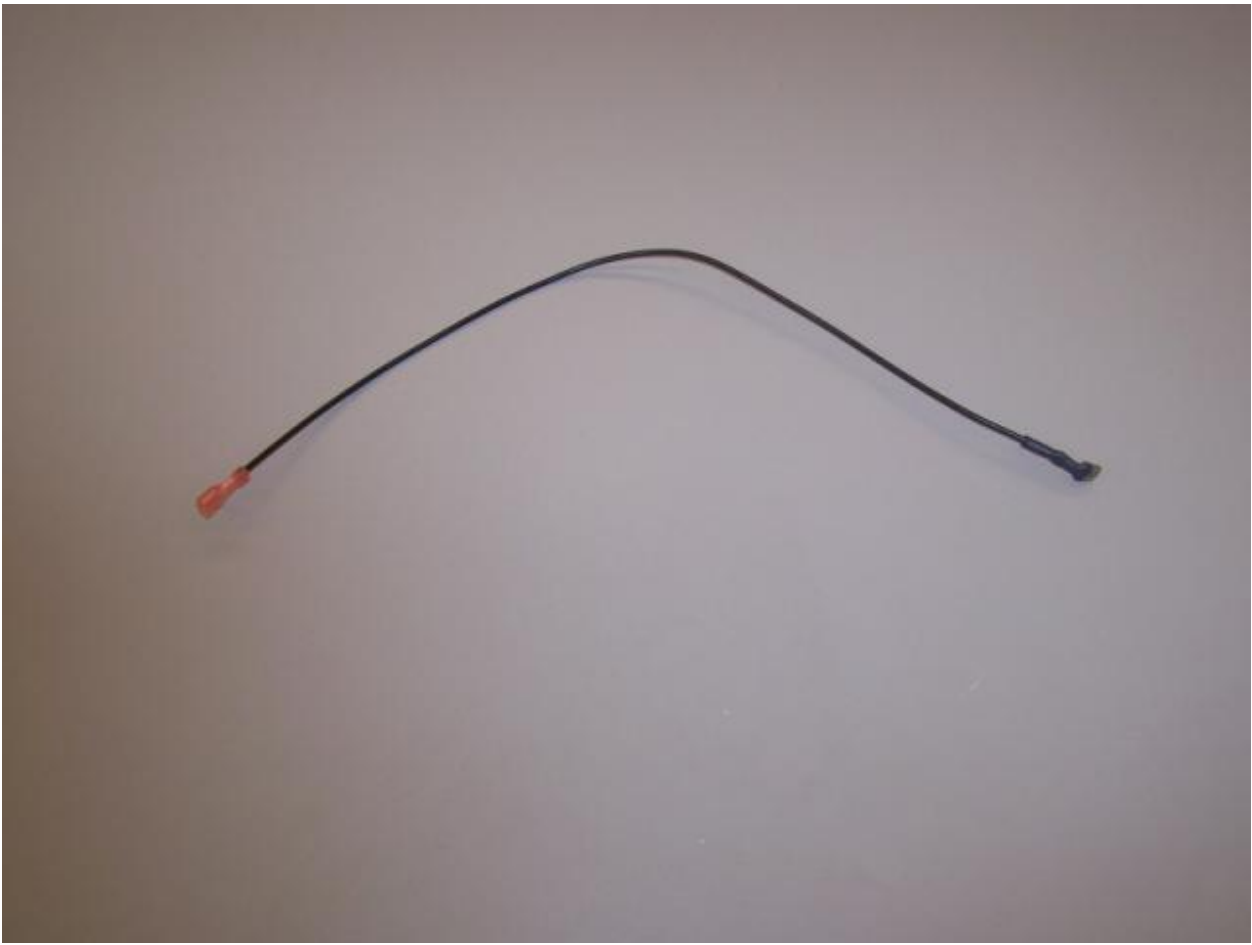
Ref #	Part Number	Qty.	Description
	000957-005		DOOR ASSY 36 (GG)
	000957-105		DOOR ASSEMBLY 36 (WHBR)
	000957-009		DOOR ASSEMBLY 36 (LE)
	000957-109		DOOR ASSEMBLY 36 (LEBR)
	000957-010		DOOR ASSEMBLY 36 (MJ)
	000957-110		DOOR ASSEMBLY 36 (MJBR)
	000957-004		DOOR ASSY 36 (SG)
	000957-104		DOOR ASSEMBLY 36 (SGBR)
	000957-000		DOOR ASSEMBLY 36
	000957-100		DOOR ASSEMBLY 36 (SSBR)
	000957-012		DOOR ASSEMBLY 36 (VB)
	000957-112		DOOR ASSEMBLY 36 (VBBR)
	000957-006		DOOR ASSY 36 (WH)
	000957-106		DOOR ASSEMBLY 36 (WHBR)



Ref #	Part Number	Qty.	Description
1	G4008493		SUPPLY CORD ASSY- VGSU



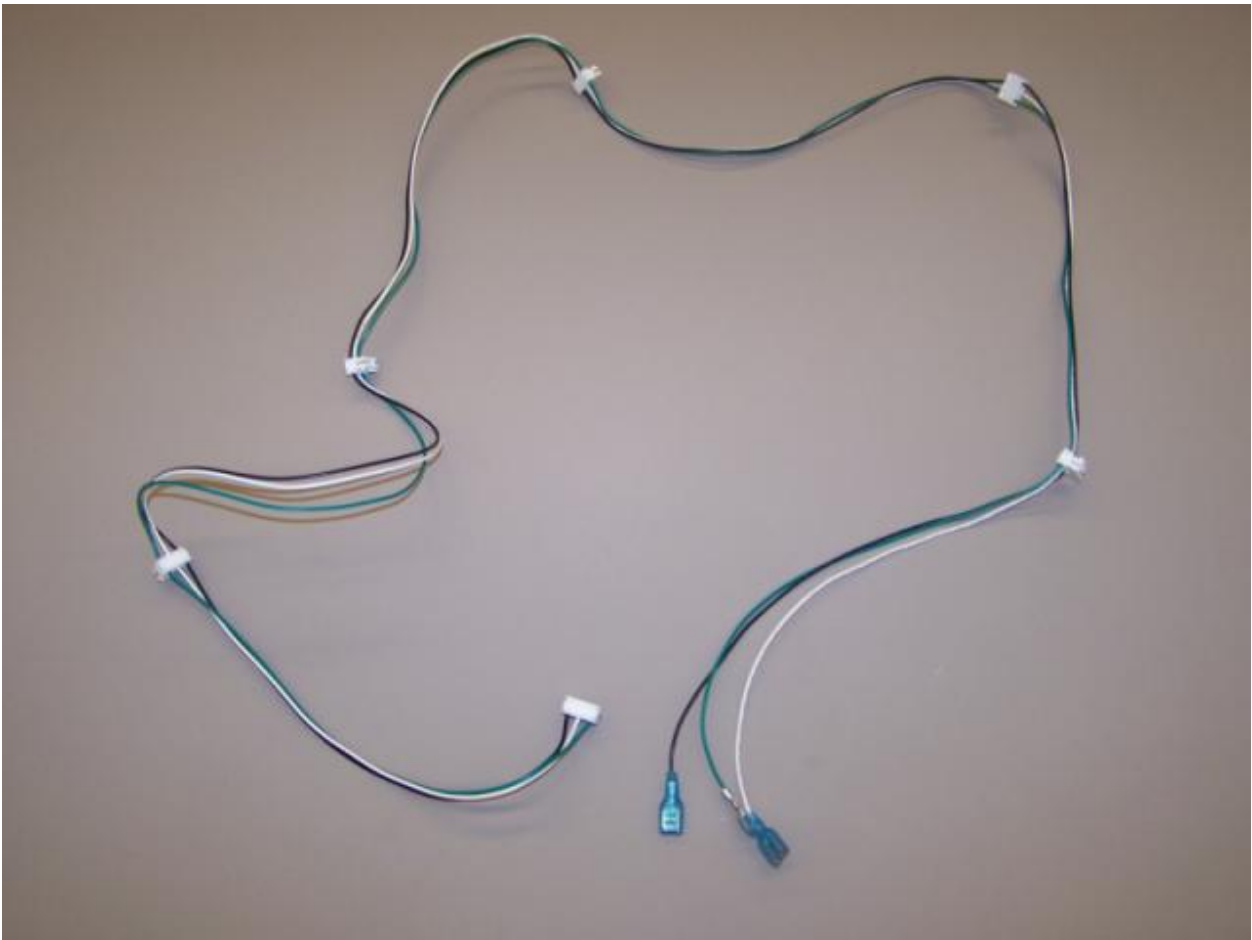
Ref #	Part Number	Qty.	Description
1	PE070245		LIGHT EXTENTION HARNESS (VGSC306) (MAY NOT BE USED ON ALL UNITS)



Ref #	Part Number	Qty.	Description
1	001914-000		WIRE, ASSY, BROIL IGNITOR



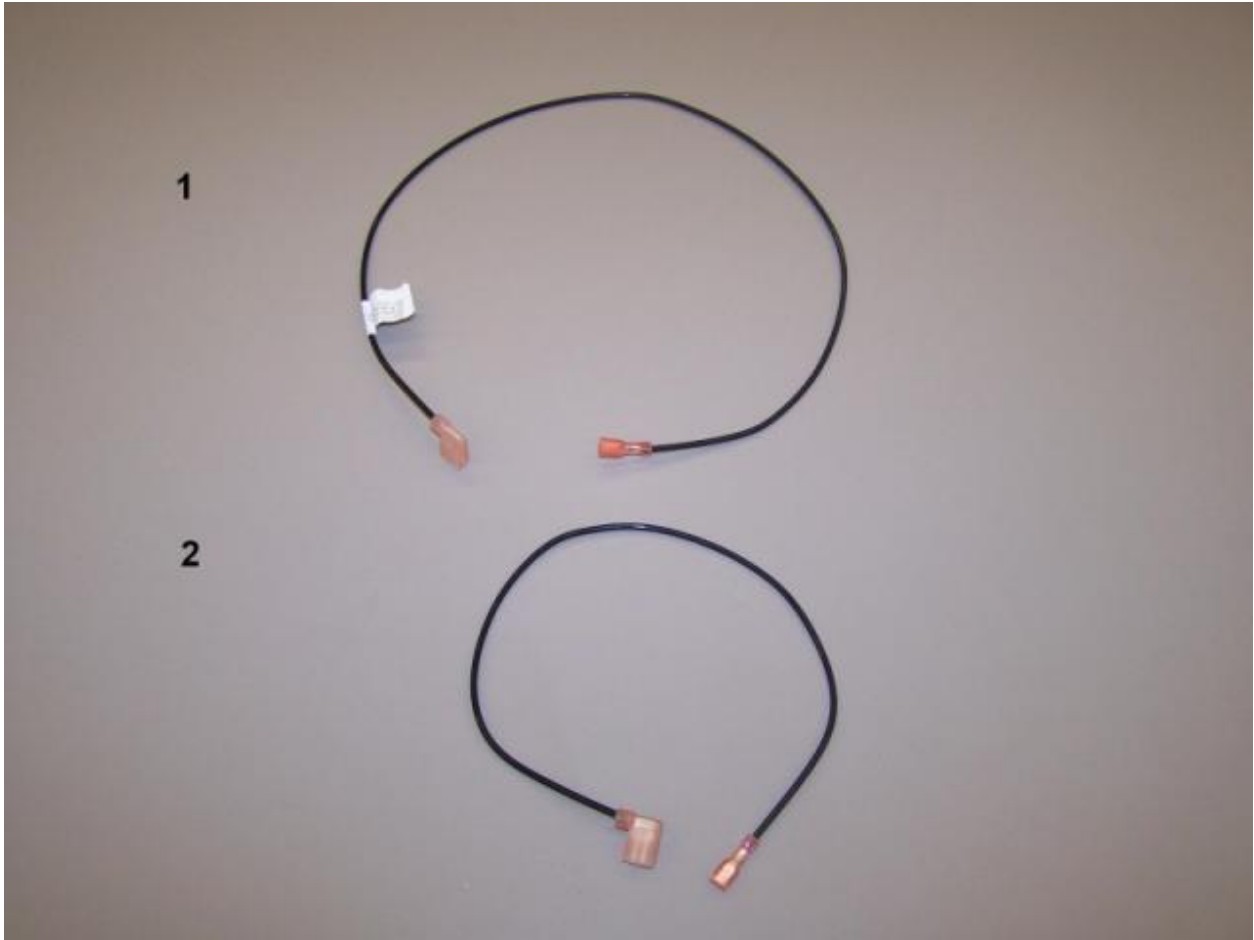
<u>Ref #</u>	<u>Part Number</u>	<u>Qty.</u>	<u>Description</u>
1	003143-000		BAKE IGNITOR WIRE 36



Ref #	Part Number	Qty.	Description
1	PE070890		IRIS HARNESS - 36



Ref #	Part Number	Qty.	Description
1	001754-000		HARNESS POWER DISCONNECT



Ref #	Part Number	Qty.	Description
1	000648-000		IRIS IGNITER WIRE - REAR
2	000647-000		IRIS IGNITOR WIRE, FRONT BURNER

*No Image
Available*

Ref #	Part Number	Qty.	Description
1	001731-000		HARNESS VGIC364G