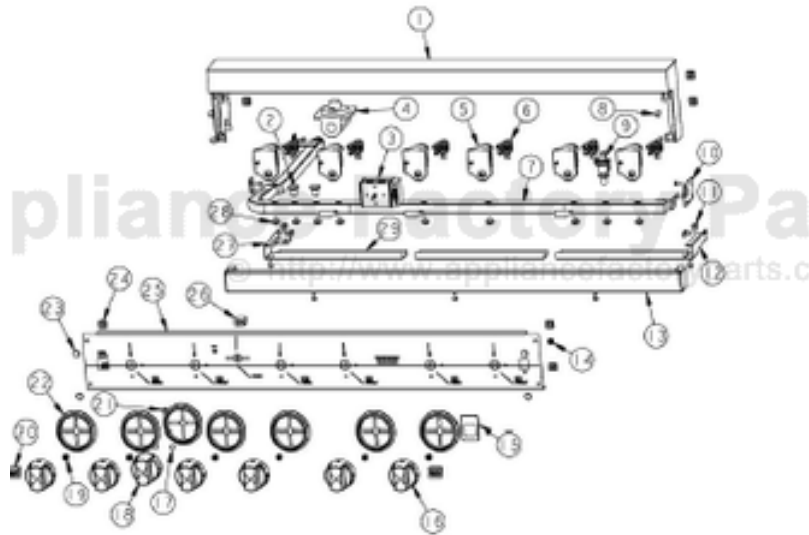


This Owner's Manual is provided and hosted by [Appliance Factory Parts](#).



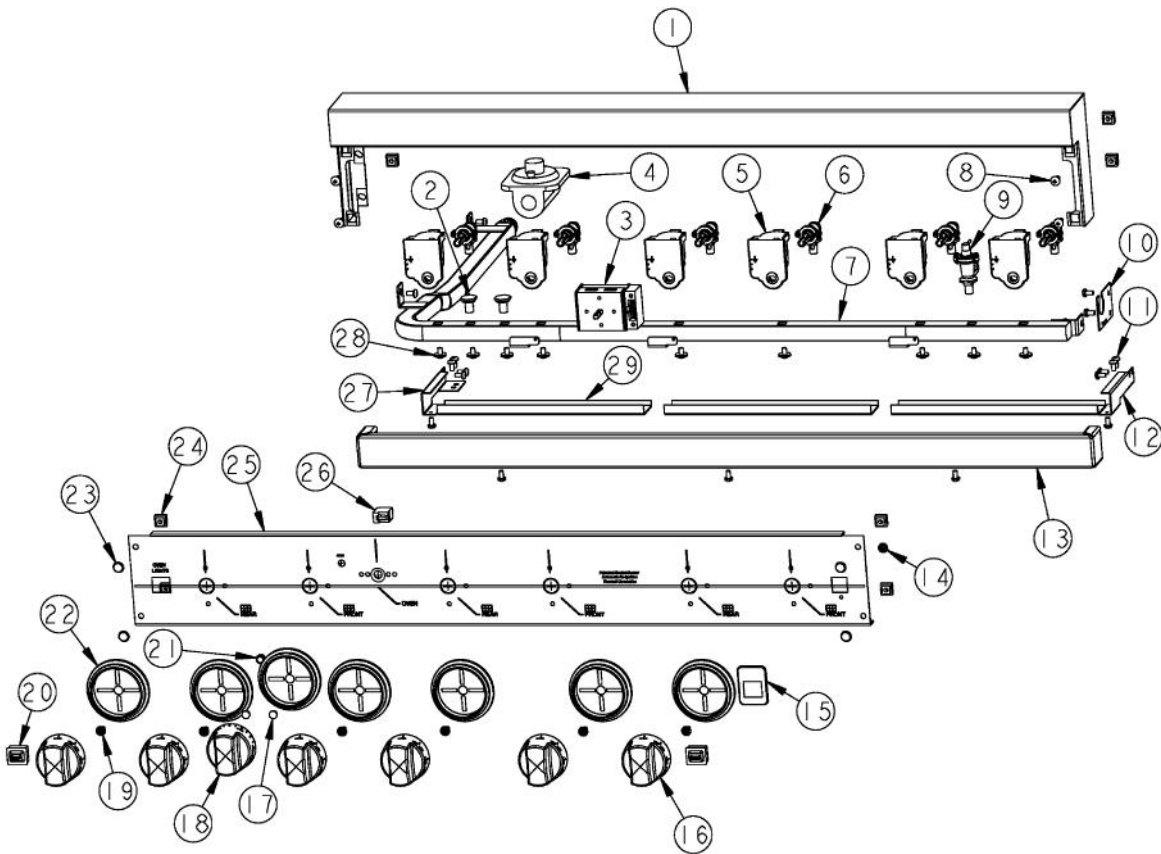
VIKING VGIC368-6B Owner's Manual

[Shop genuine replacement parts for VIKING VGIC368-6B](#)

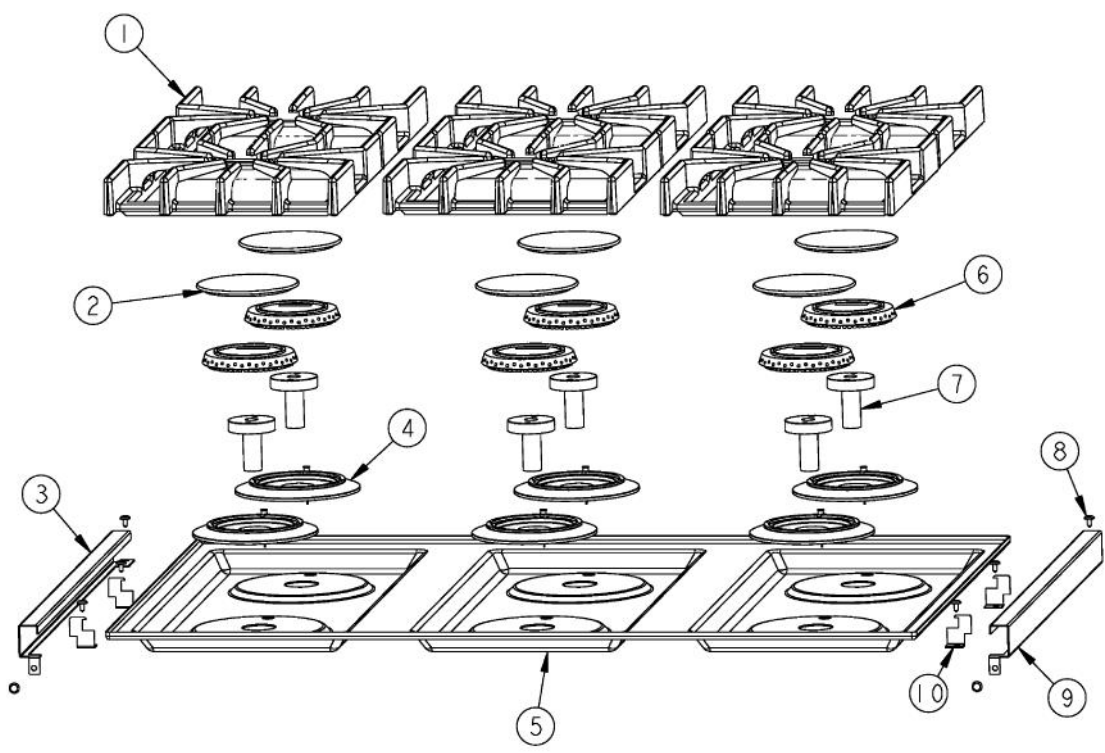


[Find Your VIKING Range Hoods Parts - Select From 411 Models](#)

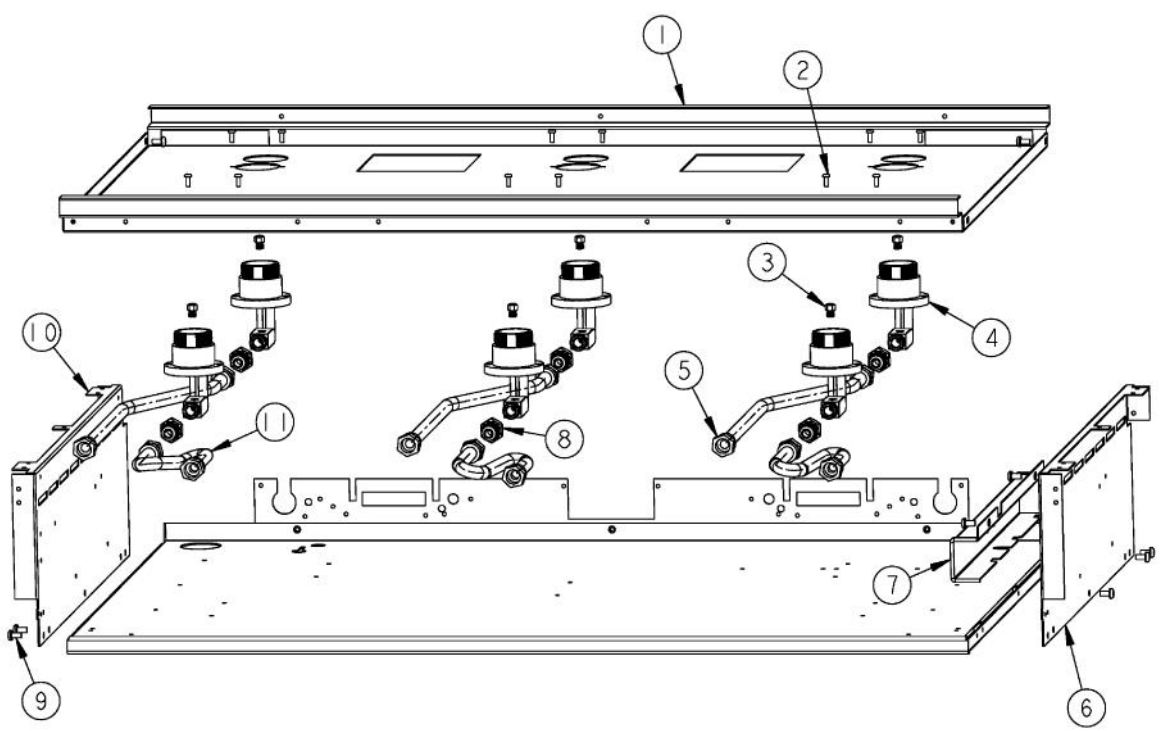
----- Manual continues below -----



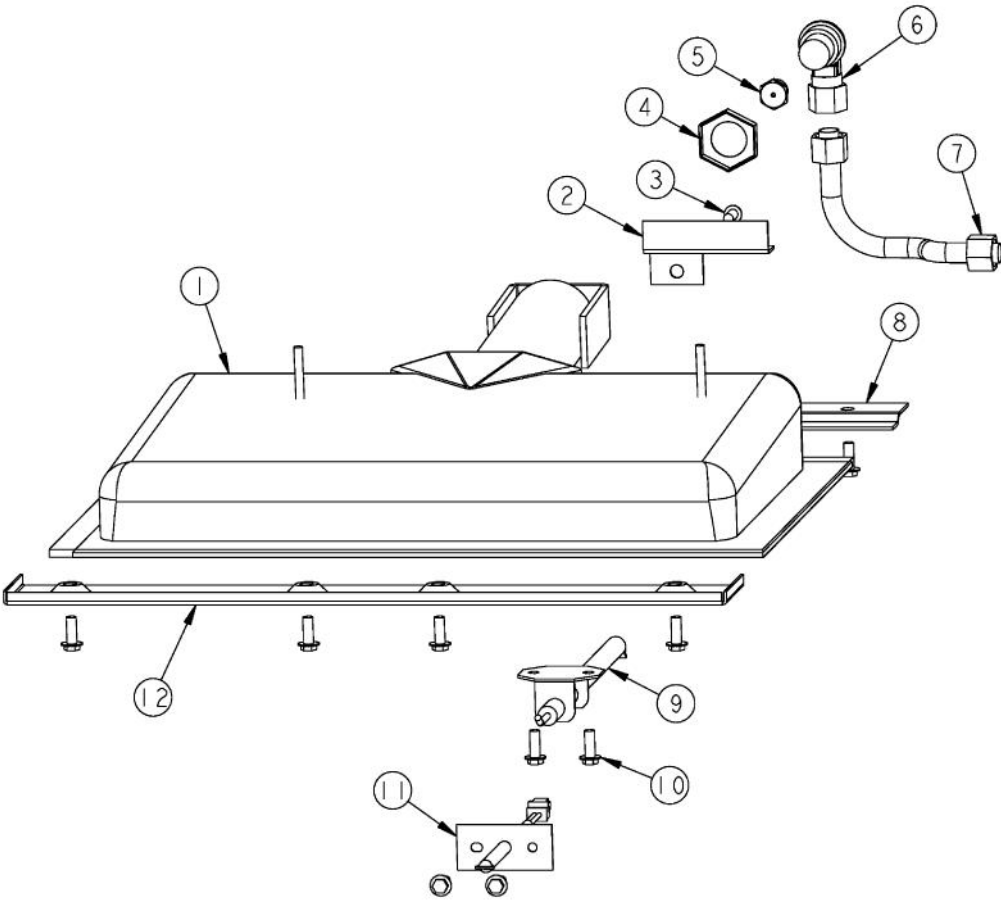
Ref #	Part Number	Qty.	Description
1	G3009151		36 SEALED LANDING LEDGE ASSY
2	002884-000		MANIFOLD PLUG
3	000336-000		ELECTRONIC THERMOSTAT - 2 POS.
4	PA070001		PRESSURE REGULATOR (NAT.)
5	PA020058		IRIS SINGLE SPARK MODULE
6	PA010158		SUB TO 003517-000 - SEALED BURNER FLARE VALVE
7	PA050114		MANIFOLD
8	PD010003		10-24 X 1/2 PH.TR.HD.SERD.M.S.
9	PB030007		SHUT OFF VALVE
10	A1001138		MANIFOLD BRKT
11	PD020004		10X3/8PH.HD.TYPE 25 REPL PD040125
12	A20011467		FALSE DRIP TRAY HANDLE BRKT. RH
13	B30011469		FALSE DRIP TRAY HANDLE (WELDED) 36
	G93011459PVD		DRIP TRAY HANDLE ASSY 36 PVD
14	PD030006		CAPPED WASHER PAL NUT
15	PE010081		CONVECTION-LABEL/PLATE (CHROME)
	PE010082		CONVECTION-LABEL/PLATE (XBRX)
16	PB010206		VGSC,VGRC,VGRT TOP BURNER KNOB(BK)
	PB010207		VGSC,VGRC,VGRT TOP BURNER KNOB(WH)
17	PD020044		NO.8-32 X 1/4 PH. TR. HD. M.S.
18	000447-000		THERMOSTAT KNOB SELF-CLEAN (BK)
	000447-006		OVEN KNOB WITH BROIL(WH)
19	PD020046		NO.8 X 1/2 SCREWS
20	PE050016		OVEN LIGHT SWITCH - XBKX (WES-GAR)
	PE050017		OVEN LIGHT SWITCH - XWHX (WES-GAR)
21	PE050023		OVEN IND. LIGHT (LENS & BEZEL)
22	PB010208		BEZEL, CHROME PLATE
	PB010209		BEZEL BRASS
23	PD020033		SRW-NO.10-24X1/2T(23)PH.WFR HD (NKL)
24	PD030005		SELF RETAINING NUT
25	B9202370		CTRL PAN- (VGRC365-6B)XSLK SCRX
26	PE050024		OVEN IND. LIGHT (LIGHT HOUSING)
27	A20011466		FALSE DRIP TRAY HANDLE BRKT. LH
28	PD010012		VALVE BOLT 1/4-20 UNC-2B 5/16 M.S.
29	A20013896		FALSE HANDLE SHIELD



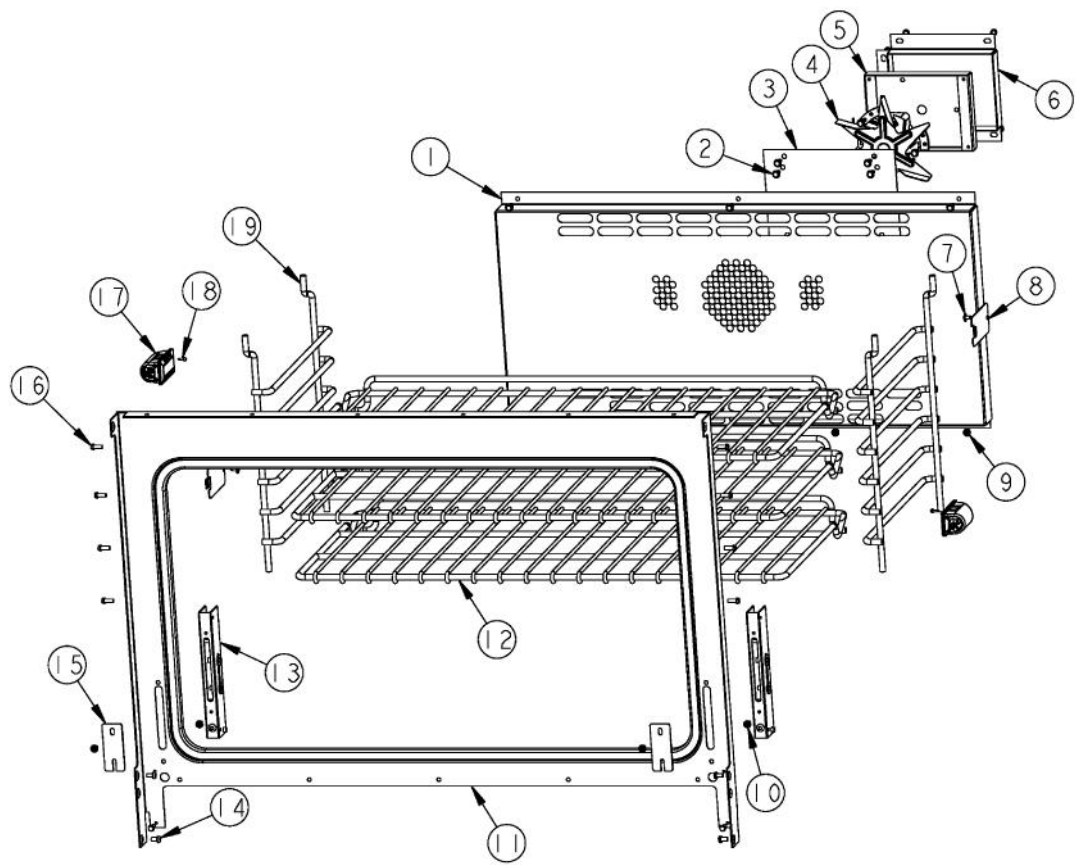
Ref #	Part Number	Qty.	Description
1	PA060054		SEALED GRATE XBKX
2	PA080083		D BURNER CAP XMATTE BLACKX
3	B20012924		SEALED SIDE TRIM LH-VGSC
	C93012924BR		SEALED SIDE TRIM LH XBRX - VGSC
4	PB050081		BURNER BASE ASSEMBLY (INCLUDES IGNITER) - BEFORE 12/18/07
	003322-040		SEALED BURNER BASE, TURNED FINISH (INCLUDES IGNITER) - AFTER 12/18/07
5	E9108439BK		MAIN TOP (VGRT3626B) XBKX
	E9108439WH		MAIN TOP (VGRT3626B) XWHX
6	PB050063		BURNER HEAD (BEFORE 12/18/07)
	001386-000		BURNER HEAD (AFTER 12/18/07)
7	PA010100		VENTURI D (VDSC3074B) (BEFORE 12/18/07)
8	PD020032		SRW-8(A)X3/8PH.WFR HD 7/16DIAXNICL
9	B20012923		SEALED SIDE TRIM RH-VGSC
	C93012923BR		SEALED SIDE TRIM RH XBRX - VGSC
10	A2007858		SIDE TRIM BRKT



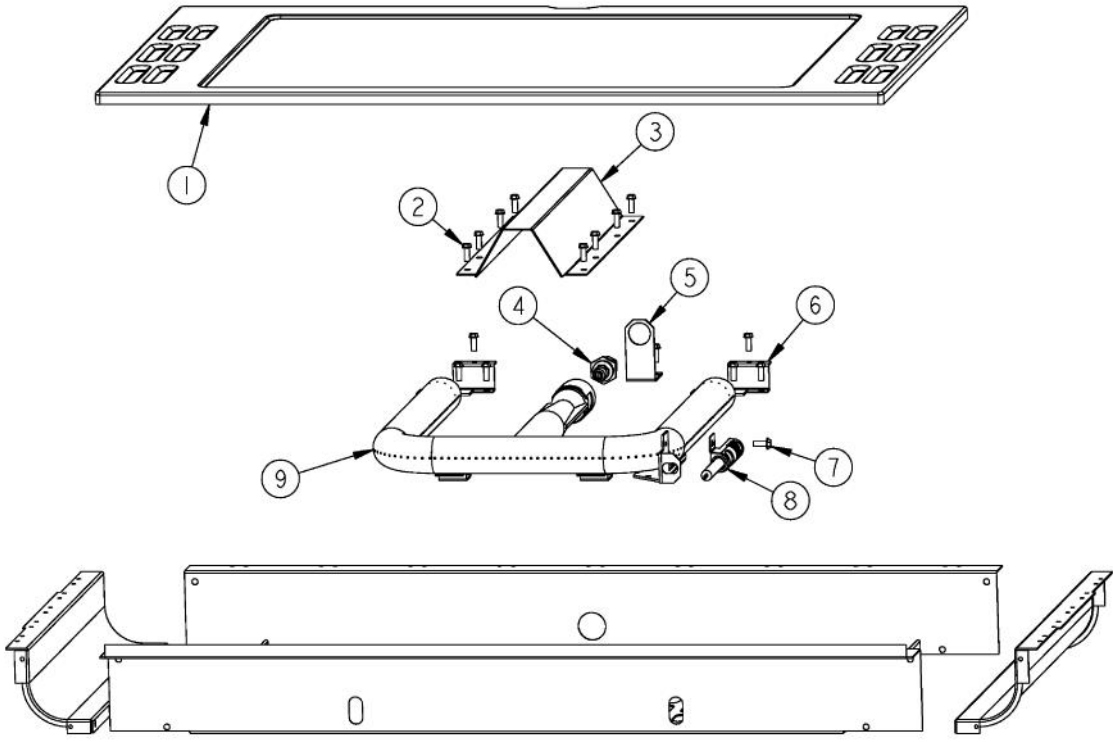
Ref #	Part Number	Qty.	Description
1	A2007859		6B BURNER SUPPORT (VGIC367)
2	PD020076		6-32 X 3/8 PHILL PAN MS
3	PB040194		SEALED RANGE ORIFICE (NAT)
	001396-040		(BEFORE 12/18/07) 15K NG ORIFICE
	PB040217		(AFTER 12/18/07) L.P. ORIFICE
	001396-044		(BEFORE 12/18/07) 13.5K LP ORIFICE
			(AFTER 12/18/07)
4	PA080075		BODY BURNER D (VDSC3074BSS)
	001394-042		(BEFORE 12/18/07) 15000 BTU NAT JETHOLDER
	001394-043		(AFTER 12/18/07) 13500 BTU LP JETHOLDER
			(AFTER 12/18/07)
5	PB020193		16 FLEX TUBING W/CONNECTORS
6	002888-000		BURNER BOX SIDE-RH
7	A2000210		WIRE CHANNEL
8	PA050086		5/8 MALE FLARE FITTING
9	PD020004		10X3/8PH.HD.TYPE 25 REPL PD040125
10	002889-000		BURNER BOX SIDE-LH
11	PB020192		10 FLEX TUBING W/CONNECTORS



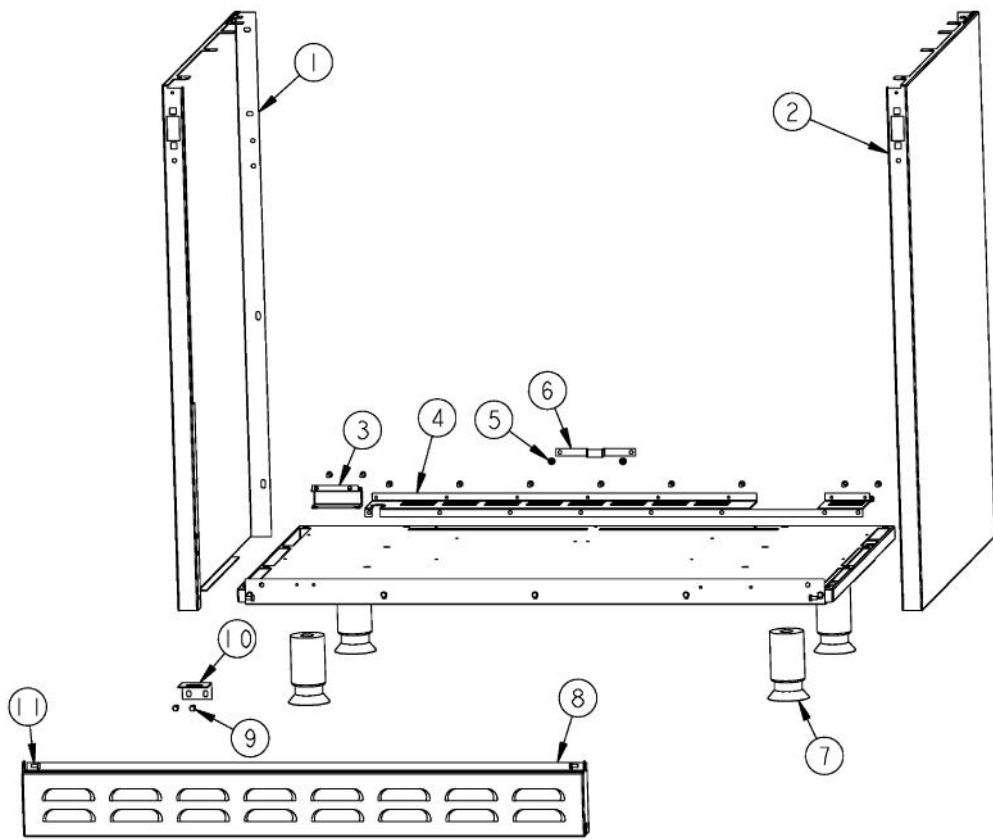
Ref #	Part Number	Qty.	Description
1	G3001876		IR BURNER ASSY (VGSC/RC) N/S
2	001348-000		BROIL INSULATION RETAINER
3	PD020060		10 X 1/2 (5/16)HEX WSHR HD.(T)A
4	PD030018		PALNUT - 3/4-16
5	PB040040		ORIFICE-IR BURNER (VGSC)
6	PB040178		90 DEGREE ORIFICE FITTING (VGSC306)
7	000921-000		3/8 ALUM TUBING ELBOW
8	B2005589		REAR BROILER BRACKET
9	PB040171		BROIL IGNITION ELECTRODE
10	PD020048		NO.10 X 1/2 TEK 410 SS SCREW
11	PE050206		RTD THERMOSTAT PROBE
12	B2001448		IR BROIL SUPT (FRONT)



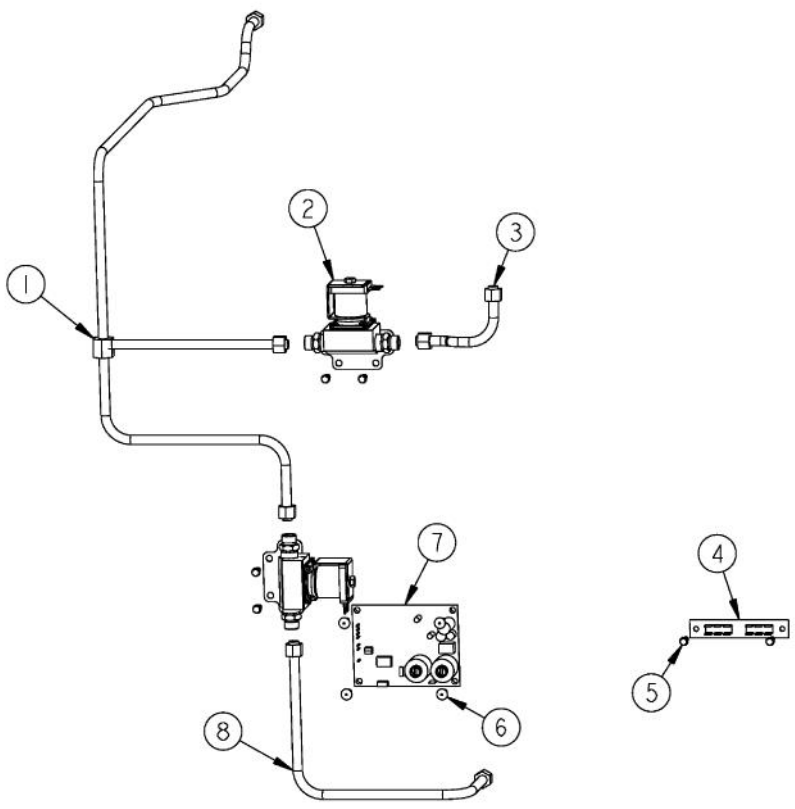
Ref #	Part Number	Qty.	Description
1	G9105513		CONVECTION FAN COVER ASSY (VGSC366)
2	PD020048		NO.10 X 1/2 TEK 410 SS SCREW
3	A1002596		CONVECTION FAN COVER (VDSC)
4	PE050005		CONVECTION FAN ASSY
5	A2002595		CONVECTION FAN BOX (VDSC)
6	A2008467		INSULATION SHIELD
7	PD020063		SCREW-NO.8(A) X 3/8PH WFR HD/BK OXID
8	E91012614		LIGHT HOLE COVER
9	M0210443		SCREW-E SM
10	003083-000		NO.8-18 X 1/2 PHIL FLAT TOP TRUSS HD AB SCREW
11	001307-000		OVEN FRONT FRAME ASSY PORC
12	PB060045		OVEN RK VDSC36 REPL PB060020
13	PC020295		HINGE RECEIVER ASSEMBLY
14	PD020004		10X3/8PH.HD.TYPE 25 REPL PD040125
15	B1007913		HINGE CLIP (DESIGNER TIME PIECE)
16	PD020060		10 X 1/2 (5/16)HEX WSHER HD.(T)A
17	PE050238		120 VOLT SIDE HALOGEN LIGHT
18	PD020013		TYPE AB NO.6 X 3/8 PH PAN HD. SMS
19	PB060030		RACK SUPT REPL PB060010



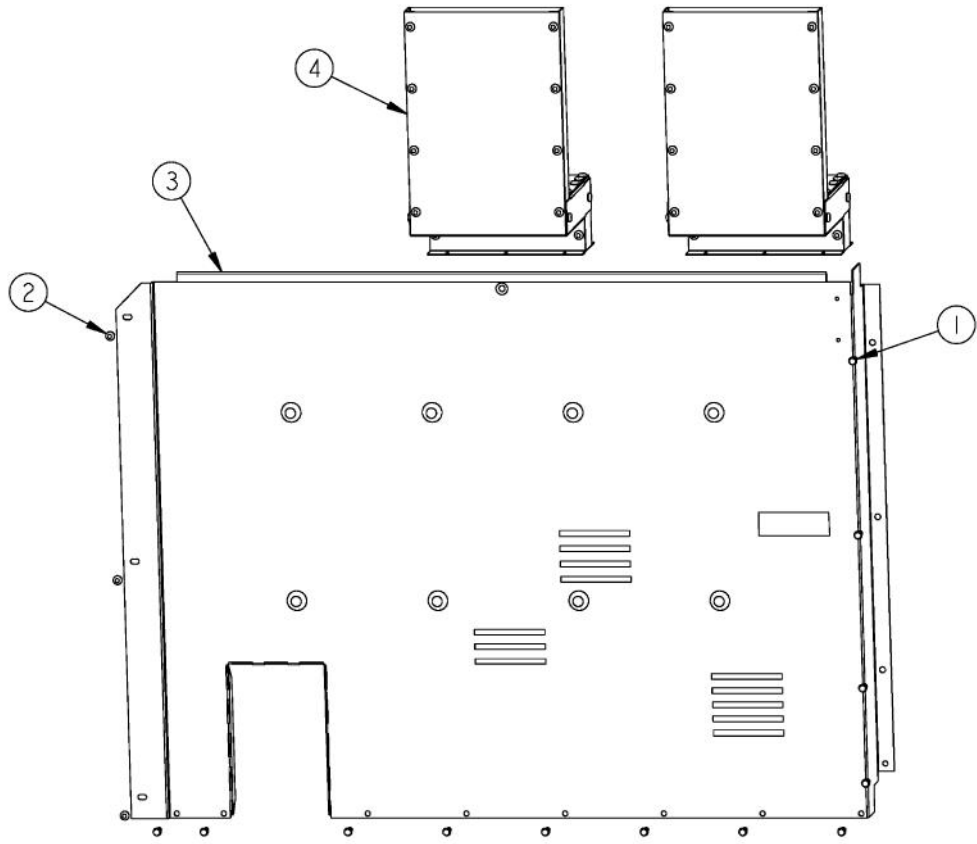
Ref #	Part Number	Qty.	Description
1	G9105526		OVEN BOTTOM ASSY (VGSC366)
2	PD020060		10 X 1/2 (5/16)HEX WSHR HD.(T)A
3	A2004424		BURNER COVER (VGSC306)
4	PB040172		3/8 X 3/8 ORIFICE FITTING
5	A2004434		ORIFICE BRACKET (VGSC306)
6	B2004415		BURNER BRACKET (VGSC306)
7	PD020048		NO.10 X 1/2 TEK 410 SS SCREW
8	PB040170		BAKE IGNITION ELECTRODE
9	006200-000		U-SHAPE BAKE BURNER 10 NAT.



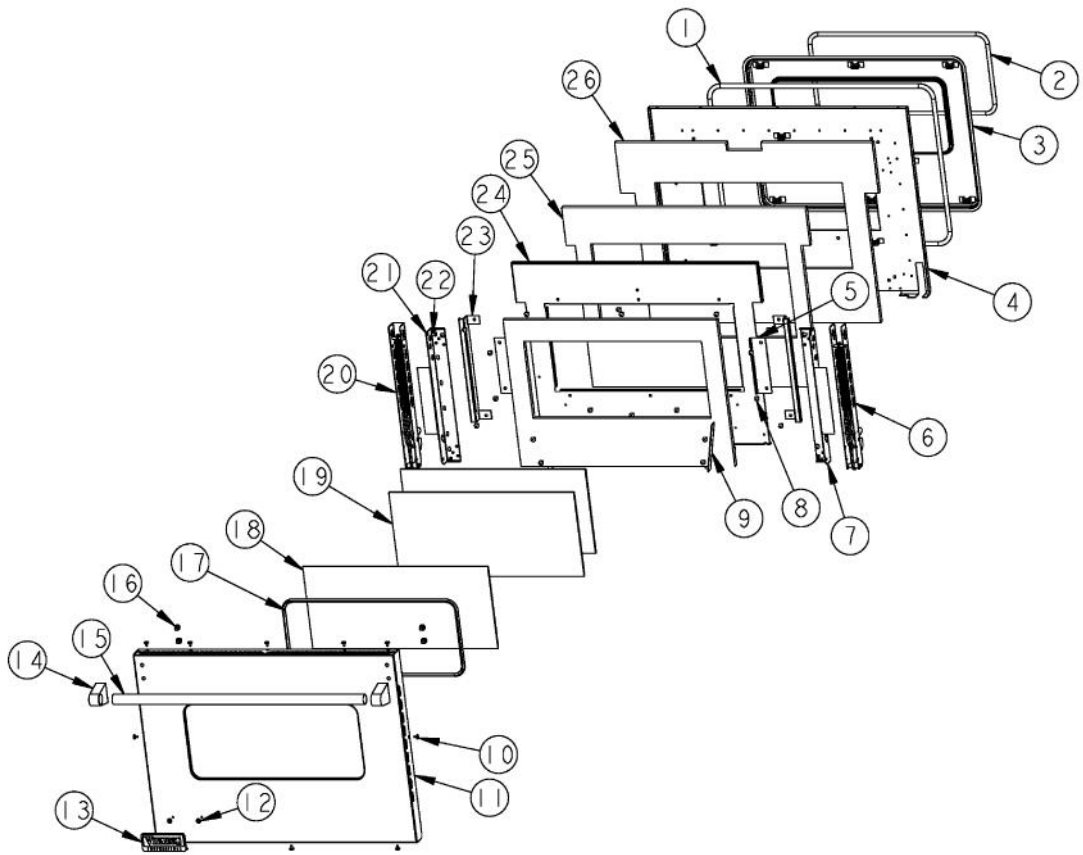
Ref #	Part Number	Qty.	Description
1	B20010180		O/S BODY PANEL - LH
	C90010180AL		SIDE PANEL LH XALX
	C90010180BK		SIDE PANEL LH XBKX
	C90010180BT		SIDE PANEL LH XBTX
	C90010180BU		SIDE PANEL LH XBUX
	C90010180CB		SIDE PANEL LH XCBX
	C90010180EP		SIDE PANEL LH XEPX
	C90010180FG		SIDE PANEL LH XFGX
	C90010180GG		SIDE PANEL LH XGGX
	C90010180LE		SIDE PANEL LH XLEX
	C90010180MJ		SIDE PANEL LH XMJX
	C90010180SG		SIDE PANEL LH XSGX
	C90010180VB		SIDE PANEL LH XVBX
	C90010180WH		SIDE PANEL LH XWHX
2	B20010179		O/S BODY PANEL - RH
	C90010179AL		SIDE PANEL RH XALX
	C90010179BK		SIDE PANEL RH XBKX
	C90010179BT		SIDE PANEL RH XBTX
	C90010179BU		SIDE PANEL RH XBUX
	C90010179CB		SIDE PANEL RH XCBX
	C90010179EP		SIDE PANEL RH XEPX
	C90010179FG		SIDE PANEL RH XFGX
	C90010179GG		SIDE PANEL RH XGGX
	C90010179LE		SIDE PANEL RH XLEX
	C90010179MJ		SIDE PANEL RH XMJX
	C90010179SG		SIDE PANEL RH XSGX
	C90010179VB		SIDE PANEL RH XVBX
	C90010179WH		SIDE PANEL RH XWHX
3	A2004481		WIRE CHANNEL RH (VGSC306)
4	A2005523		FLUE HEAT SHIELD
5	M0210443		SCREW-E SM
6	A2004428		REAR BOTTOM BRCKT (VGSC306)
7	PC030017		4 LEG ASSY
8	B2001504		LWR ACC PNL - RPLCS B2001977
	C9001504AL		LWR ACC PNL - RPLCS C9001977AL
	C9001504BK		LWR ACC PNL - RPLCS C9001977BK
	C9001504BT		LWR ACC PNL - RPLCS C9001977BT
	C9001504BU		LWR ACC PNL - RPLCS C9001977BU
	C9001504CB		LWR ACC PNL - RPLCS C9001977CB
	C9001504EP		LWR ACC PNL - RPLCS C9001977EP
	C9001504FG		LWR ACC PNL - RPLCS C9001977FG
	C9001504GG		LWR ACC PNL - RPLCS C9001977GG
	C9001504LE		LWR ACC PNL - RPLCS C9001977LE
	C9001504MJ		LWR ACC PNL - RPLCS C9001977MJ
	C9001504SG		LWR ACC PNL - RPLCS C9001977SG
	C9001504VB		LWR ACC PNL - RPLCS C9001977VB
	C9001504WH		LWR ACC PNL - RPLCS C9001977WH
9	PD020060		10 X 1/2 (5/16)HEX WSHR HD.(T)A
10	A20012922		DISCONNECT POWER BRACKET
11	PD020004		10X3/8PH.HD.TYPE 25 REPL PD040125



Ref #	Part Number	Qty.	Description
1	001538-000		3/8 ALUM MANIFOLD TUBING
2	003226-000	1	FJT VALVE - NO NUT/FERRELL
3	000921-000		3/8 ALUM TUBING ELBOW
4	PE050001		TERMINAL BOARD
5	PD020060		10 X 1/2 (5/16)HEX WSHER HD.(T)A
6	PD020014		10X3/4 PH TR HD SMS
7	PA020056		TYTRONICS DSI MODULE
8	000919-000		3/8 ALUM TUBING

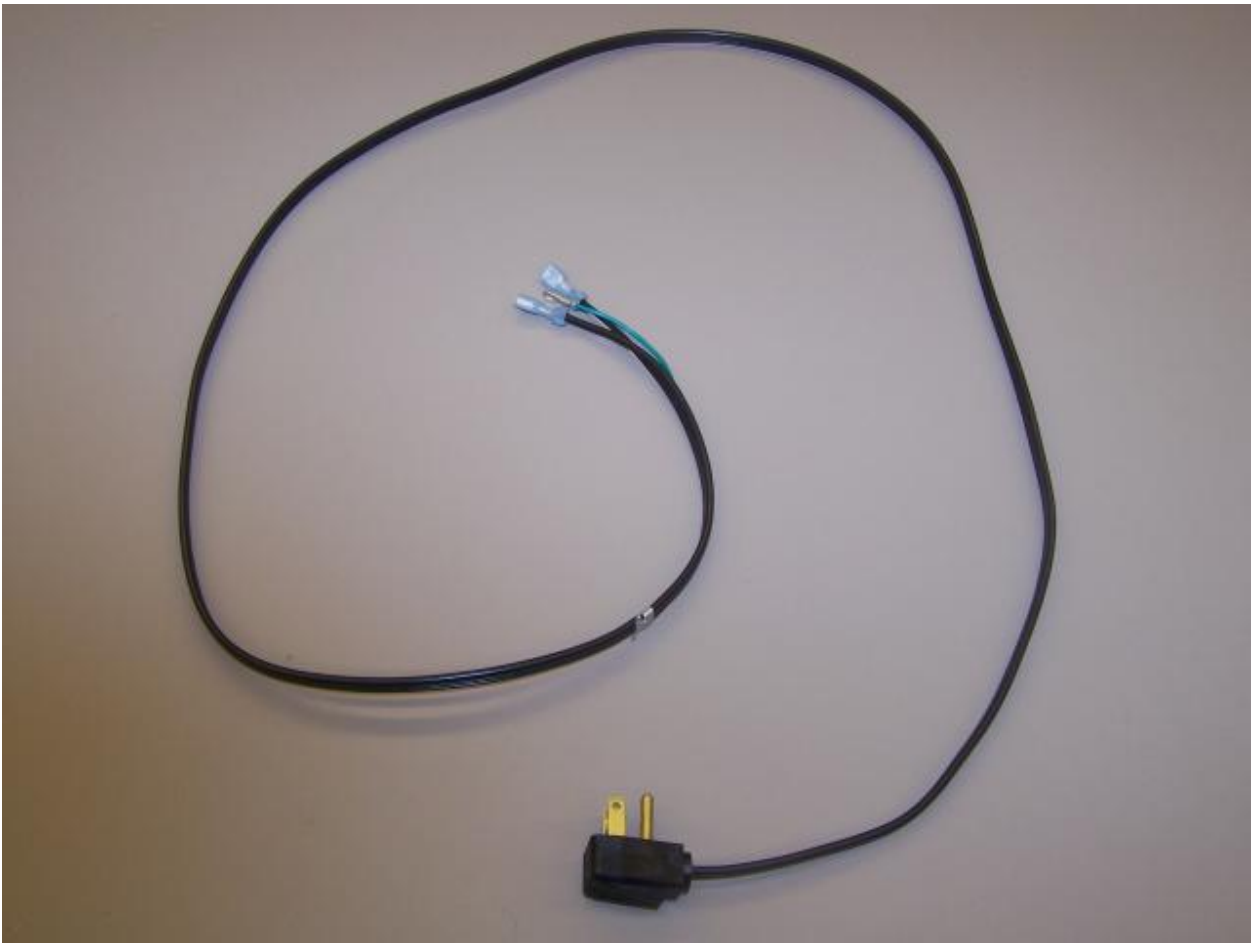


Ref #	Part Number	Qty.	Description
1	PD020060		10 X 1/2 (5/16)HEX WSHER HD.(T)A
2	PD020004		10X3/8PH.HD.TYPE 25 REPL PD040125
3	A2005522		OUTSIDE BACK (VGSC366)
4	000967-000		FLUE ASSY



Ref #	Part Number	Qty.	Description
1	000090-000		36 DOOR GASKET
2	PB070150		FIBERGLASS ROPE, 3/8 DIA.
3	001399-000		DOOR PLUG ASSY PROC 36
4	001398-000		DOOR LINER ASSEMBLY PORC 36
5	A2002189		DOOR GLASS STANDOFF (VDSC)
6	PC020188		DOOR HINGE
7	000075-000		DOOR HINGE BRACKET
8	PD020002		10 X 1/2 PH.TR.HD.SMS.
9	A2002497		DOOR GUIDE ANGLE VDSC
10	PD020032		SRW-8(A)X3/8PH.WFR HD 7/16DIAXNICL
11	B2002798		O/S DOOR PANEL XSSX (VDSC36)
	C9002798AL		O/S DOOR PANEL-XALX (VDSC36)
	C9002798BK		O/S DOOR PANEL-XBKX (VDSC36)
	C9002798BT		O/S DOOR PANEL-XBTX (VDSC36)
	C9002798BU		O/S DOOR PANEL-XBUX (VDSC36)
	C9002798CB		O/S DOOR PANEL-CBX (VDSC36)
	C9002798EP		O/S DOOR PANEL-XEPX (VDSC36)
	C9002798FG		O/S DOOR PANEL-XFGX (VDSC36)
	C9002798GG		O/S DOOR PANEL-XGGX (VDSC36)
	C9002798LE		O/S DOOR PANEL-XLEX (VDSC36)
	C9002798MJ		O/S DOOR PANEL_XMJX (VDSC36)
	C9002798SG		O/S DOOR PANEL-XSGX (VDSC36)
	C9002798VB		O/S DOOR PANEL-XVBX (VDSC36)
	C9002798WH		O/S DOOR PANEL-XWHX (VDSC36)
12	PD030006		CAPPED WASHER PAL NUT
13	PE010030		LOGO, 6, PRO, BK
	PE010068		LOGO, 6, PRO, BK/BR
	PE010031		LOGO 6 (VGRC) XBK/WHX
	PE010076		LOGO 6 (VGRC) XBR/WHX
14	PE030001		BRACKET, DOOR, HANDLE
	PE030001PVD		END CAP DOOR HANDLE XBR
15	PE030006		DOOR HANDLE - 36 (VGRC)
	PE030013PVD		DOOR HANDLE (36) PVD
16	PD010019		BLT-1/4-20X3/8HEX WASHER SERATED
17	PE060031		J-MOLD (LARGE WINDOW)
	PE060045		J-MOLD (LARGE WINDOW) XBRX
18	PE060030		GLASS-OUTER DOOR BK SCREENED,TEMP
19	PE060039		GLASS-HEAT TREATED (HB2) VDSC
20	PC020223		DOOR HINGE (LONG SPRING) NSF
21	000932-000		DOOR HINGE BRACKET
22	PD020004		10X3/8PH.HD.TYPE 25 REPL PD040125
23	A2002367		DOOR GLASS BRKT
24	A20015329		DOOR INSULATION RETAINER
25	002561-000		36 DOOR INSULATION
26	002562-000		36 DOOR PLUG INSULATION
NI	000957-007		DOOR ASSY 36 (AL)
	000957-107		DOOR ASSEMBLY 36 (ALBR)
	000957-002		DOOR ASSY 36 (BK)
	000957-102		DOOR ASSEMBLY 36 (BKBR)
	000957-003		DOOR ASSY 36 (BT)
	000957-103		DOOR ASSEMBLY 36 (BTBR)
	000957-008		DOOR ASSY 36 (BU)
	000957-108		DOOR ASSEMBLY 36 (BUBR)
	000957-013		DOOR ASSEMBLY 36 (CB)
	000957-113		DOOR ASSEMBLY 36 (CBBR)
	000957-014		DOOR ASSEMBLY 36 (EP)
	000957-114		DOOR ASSEMBLY 36 (EPBR)
	000957-011		DOOR ASSEMBLY 36 (FG)
	000957-111		DOOR ASSEMBLY 36 (FGBR)
	000957-005		DOOR ASSY 36 (GG)

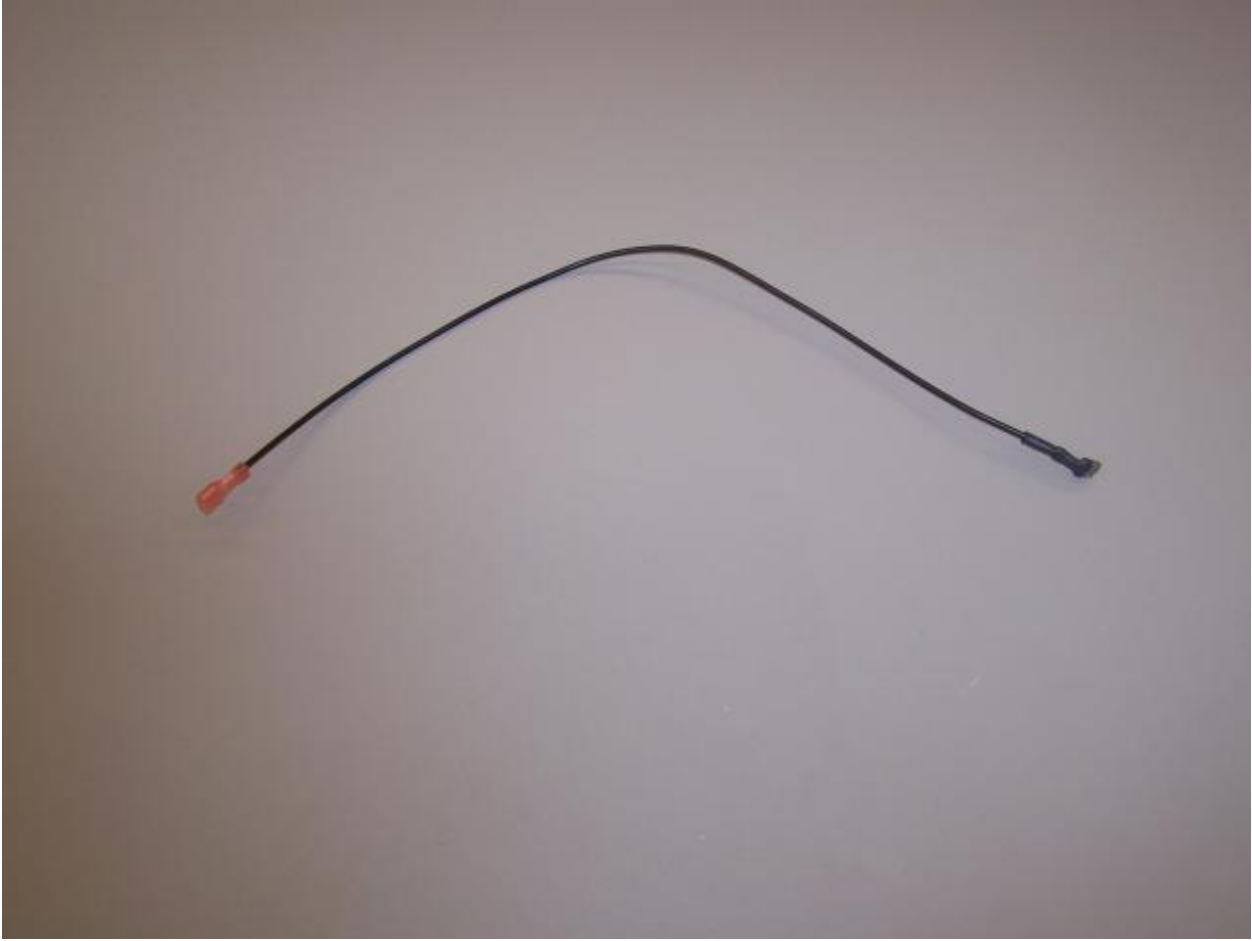
Ref #	Part Number	Qty.	Description
	000957-005		DOOR ASSY 36 (GG)
	000957-105		DOOR ASSEMBLY 36 (WHBR)
	000957-009		DOOR ASSEMBLY 36 (LE)
	000957-109		DOOR ASSEMBLY 36 (LEBR)
	000957-010		DOOR ASSEMBLY 36 (MJ)
	000957-110		DOOR ASSEMBLY 36 (MJBR)
	000957-004		DOOR ASSY 36 (SG)
	000957-104		DOOR ASSEMBLY 36 (SGBR)
	000957-000		DOOR ASSEMBLY 36
	000957-100		DOOR ASSEMBLY 36 (SSBR)
	000957-012		DOOR ASSEMBLY 36 (VB)
	000957-112		DOOR ASSEMBLY 36 (VBBR)
	000957-006		DOOR ASSY 36 (WH)
	000957-106		DOOR ASSEMBLY 36 (WHBR)



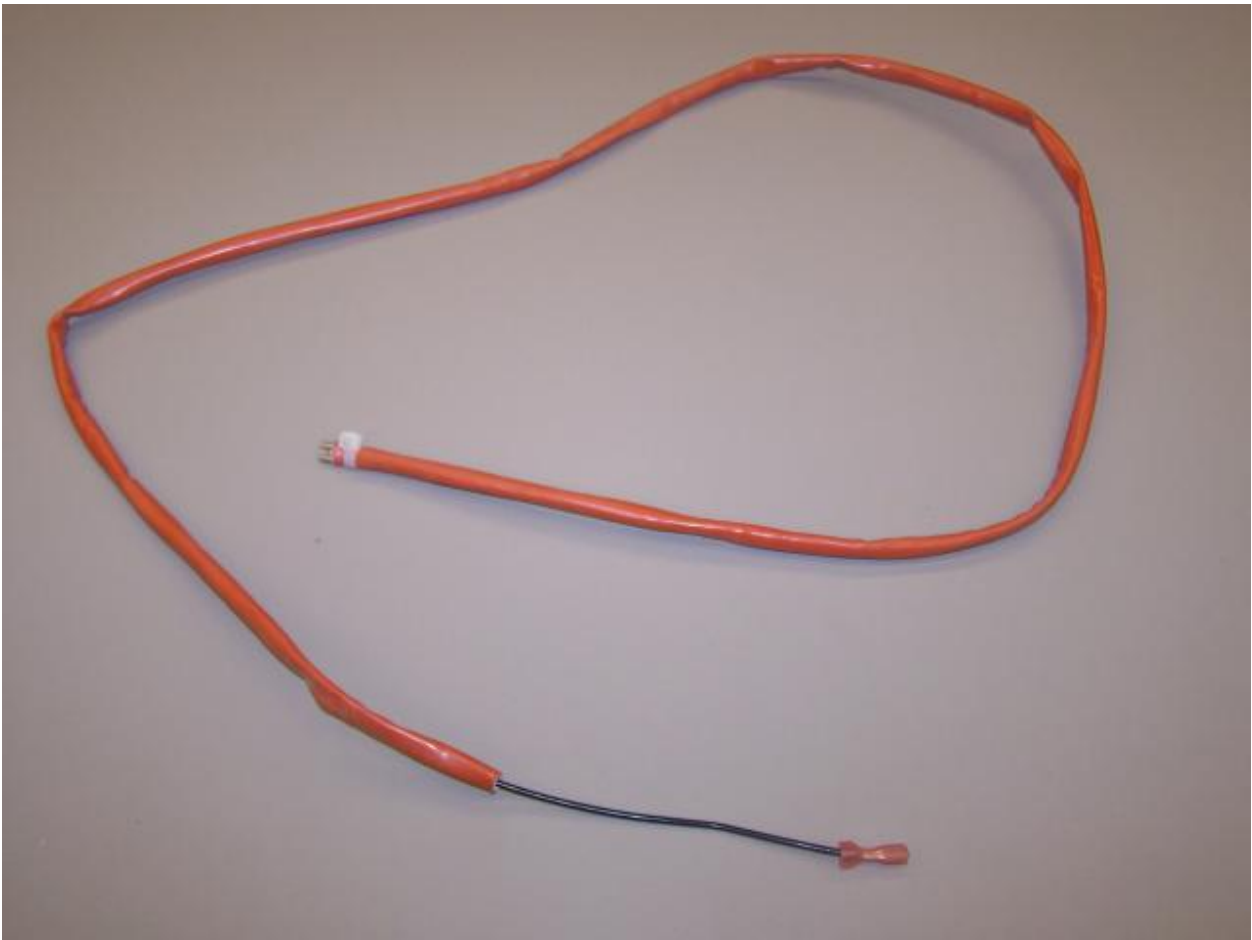
<u>Ref #</u>	<u>Part Number</u>	<u>Qty.</u>	<u>Description</u>
1	G4008493		SUPPLY CORD ASSY- VGSU



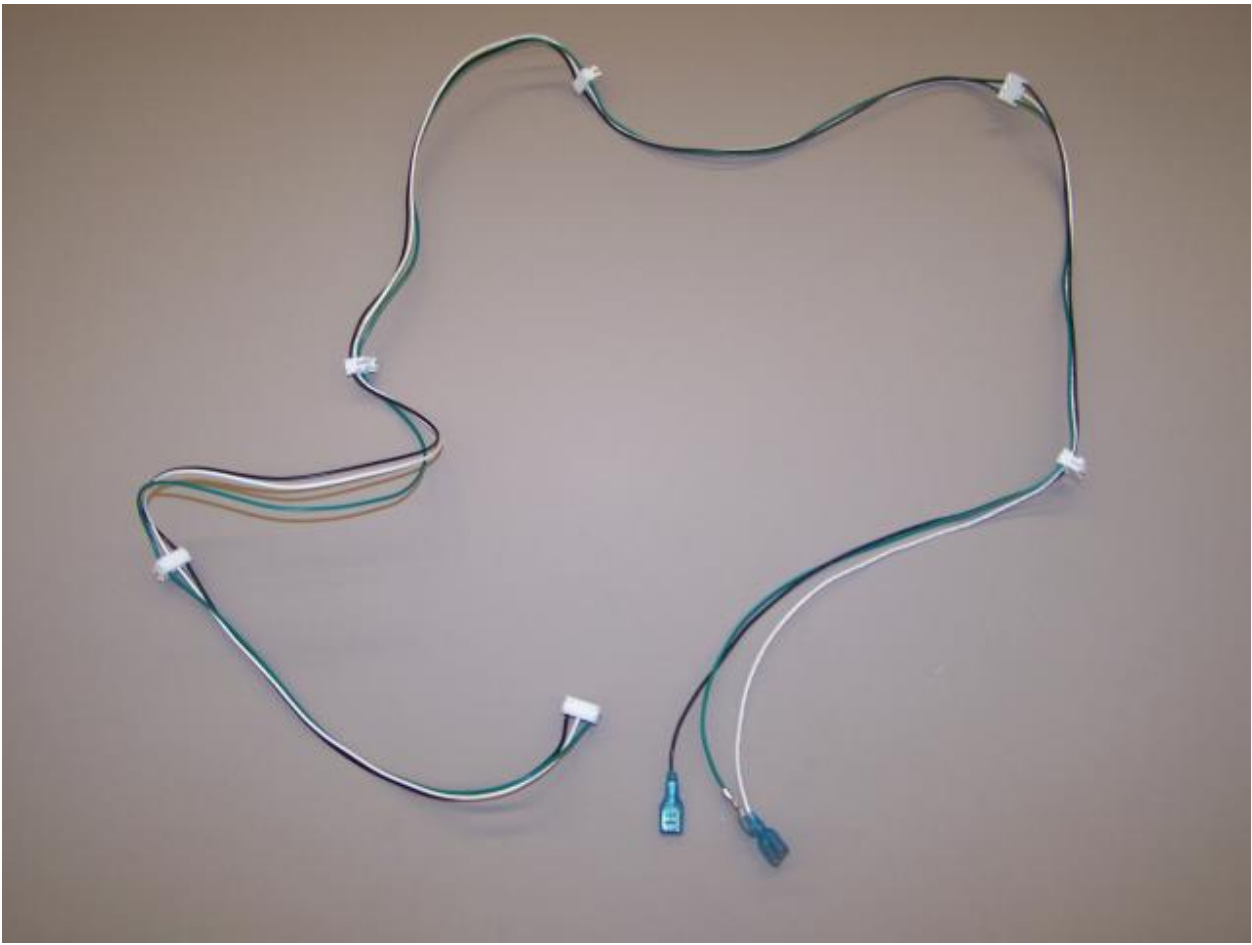
Ref #	Part Number	Qty.	Description
1	PE070245		LIGHT EXTENTION HARNESS (VGSC306) (MAY NOT BE USED ON ALL UNITS)



Ref #	Part Number	Qty.	Description
1	001914-000		WIRE, ASSY, BROIL IGNITOR



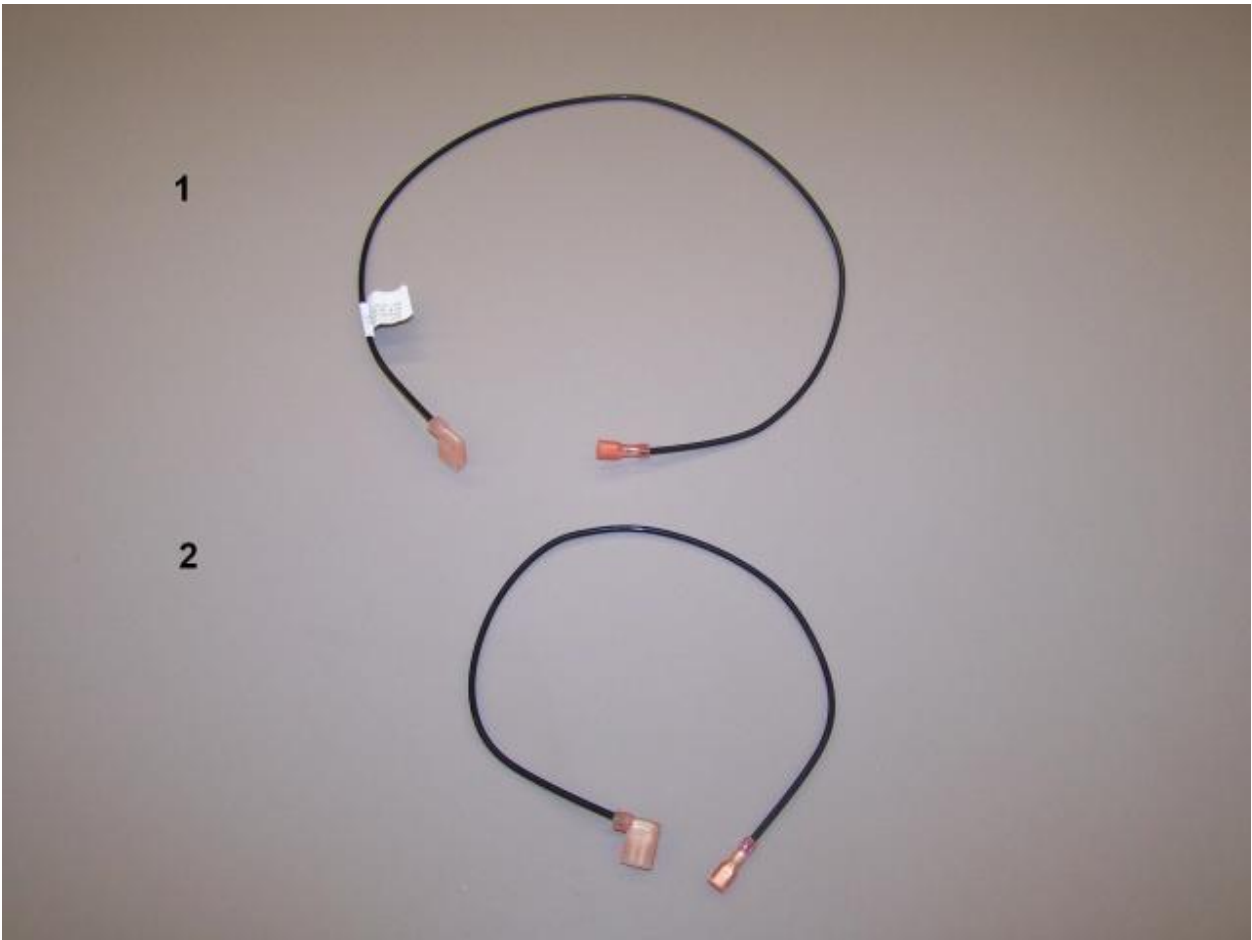
Ref #	Part Number	Qty.	Description
1	003143-000		BAKE IGNITOR WIRE 36



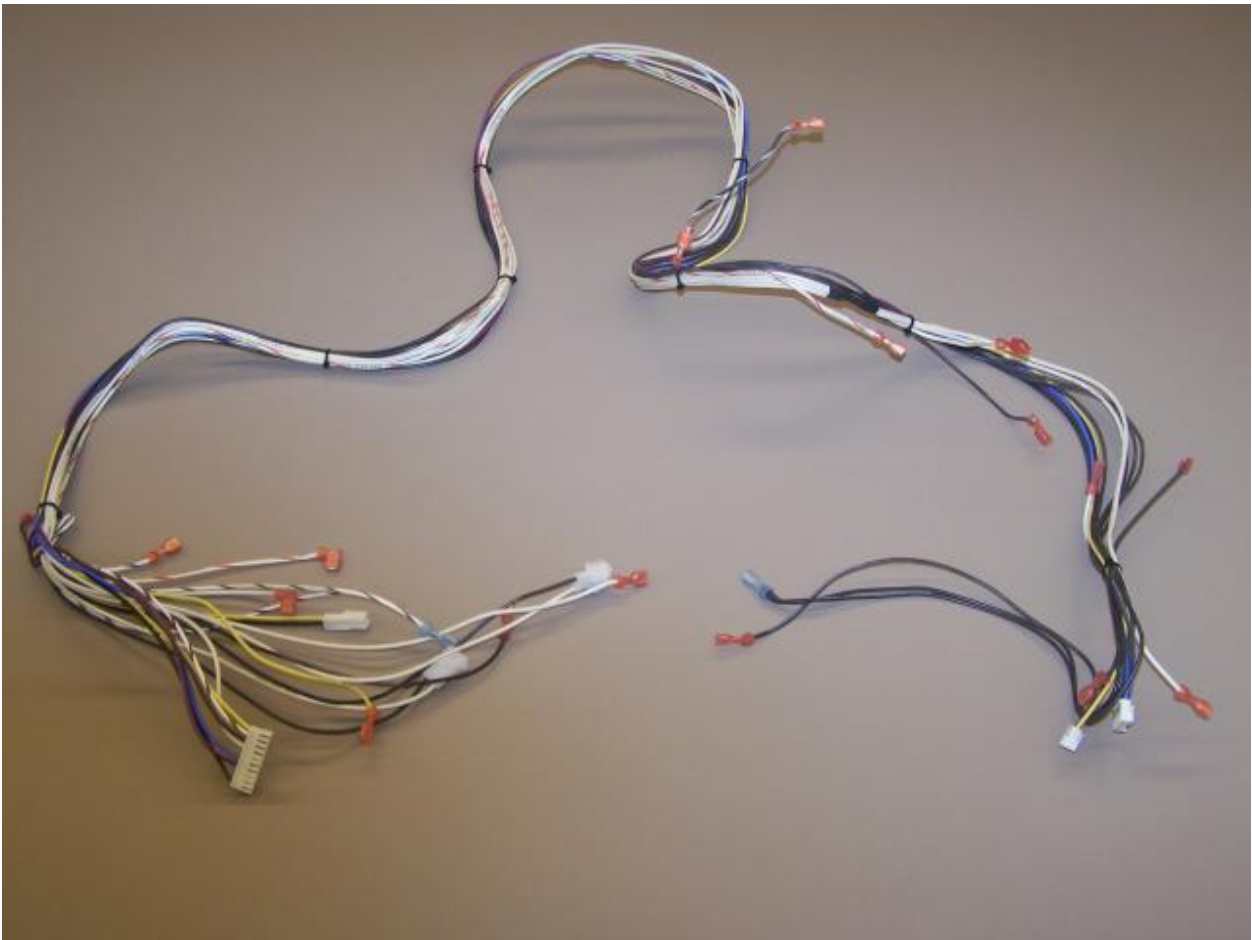
Ref #	Part Number	Qty.	Description
1	PE070890		IRIS HARNESS - 36



Ref #	Part Number	Qty.	Description
1	001754-000		HARNESS POWER DISCONNECT



Ref #	Part Number	Qty.	Description
1	000648-000		IRIS IGNITOR WIRE, BACK BURNER
2	000647-000		IRIS IGNITOR WIRE, FRONT BURNER



Ref #	Part Number	Qty.	Description
1	001723-000		HARNESS VGIC366B