

This Owner's Manual is provided and hosted by [Appliance Factory Parts](#).



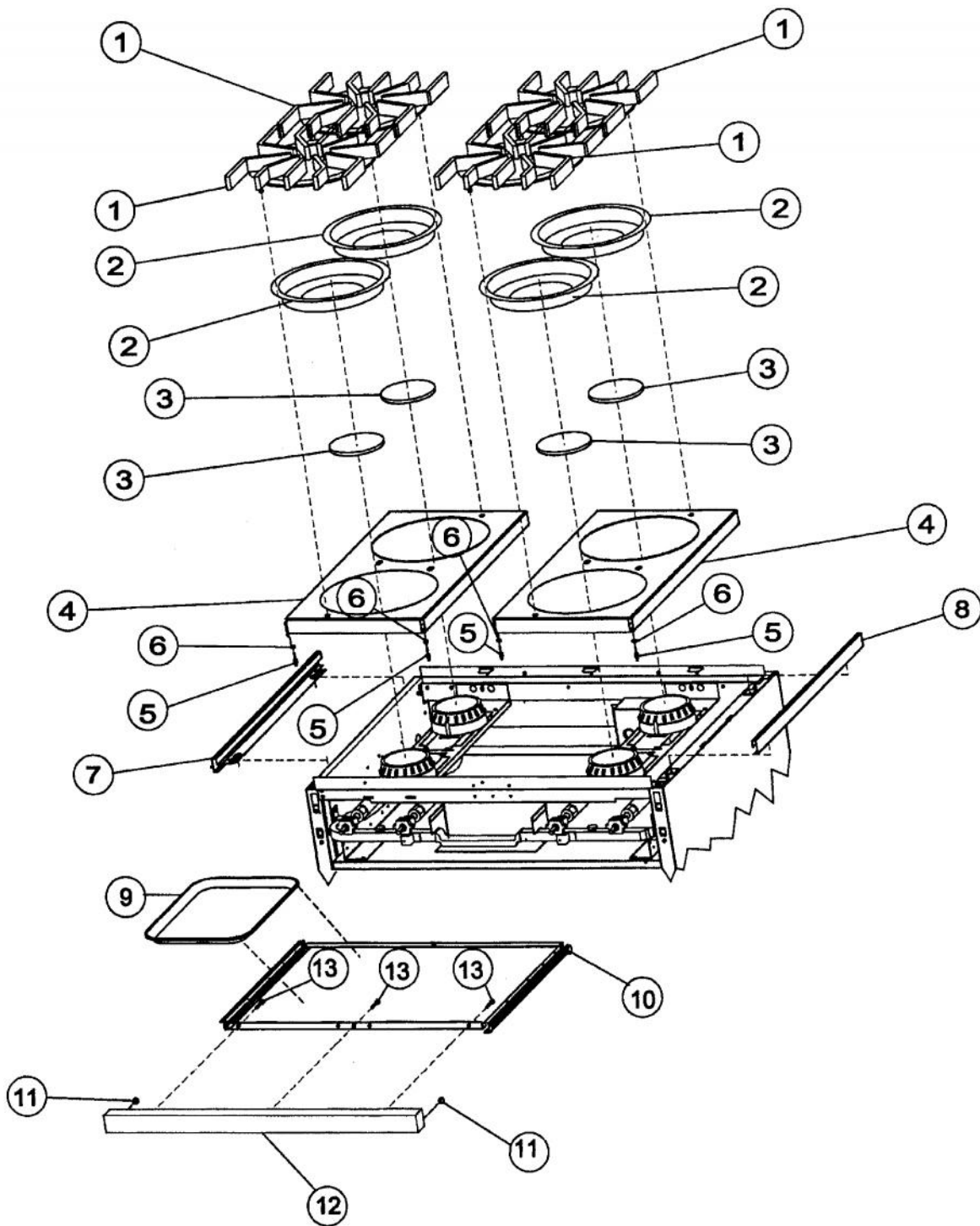
VIKING VGIC485 Owner's Manual

[Shop genuine replacement parts for VIKING VGIC485](#)

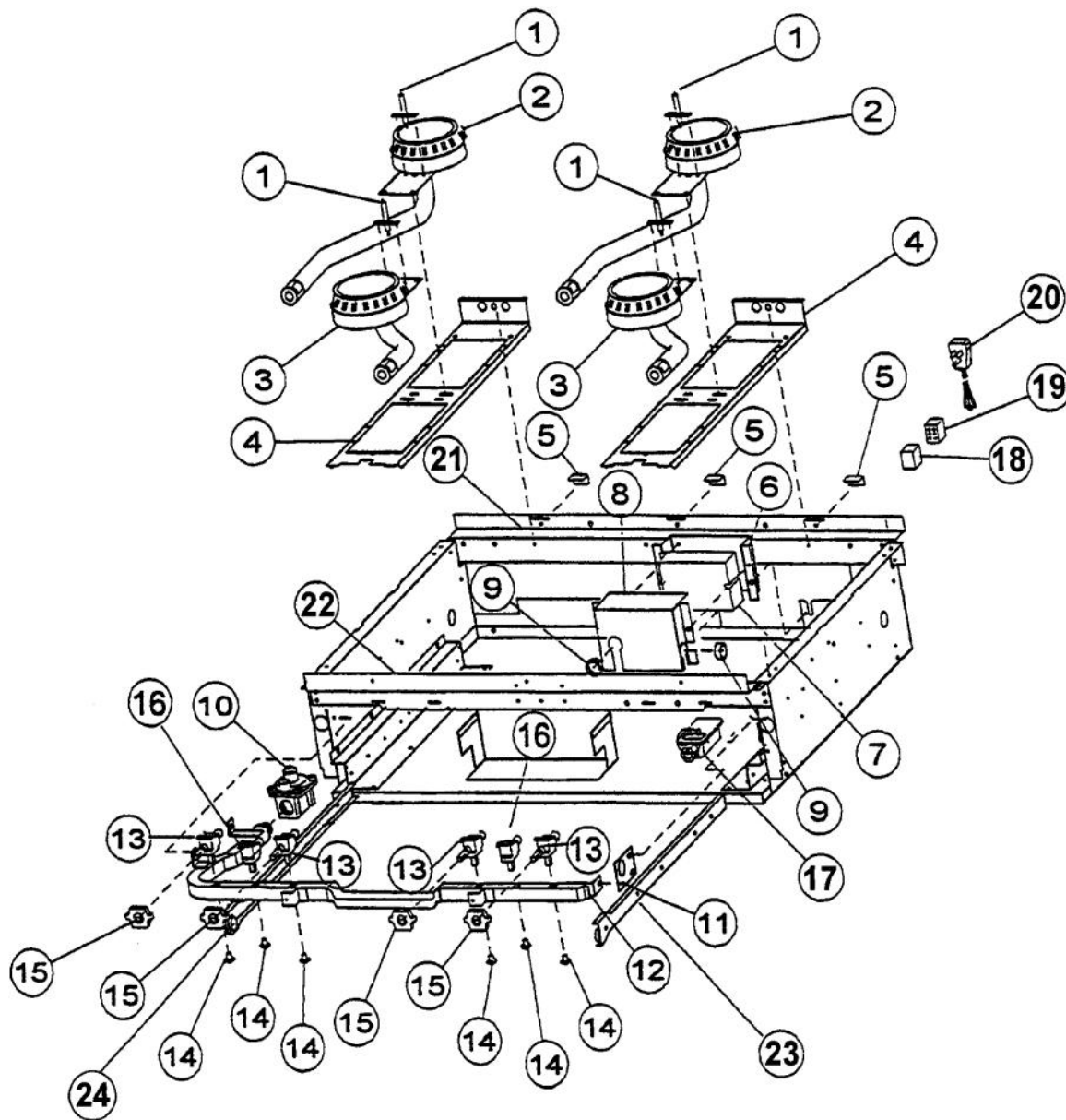


[Find Your VIKING Range Hoods Parts - Select From 411 Models](#)

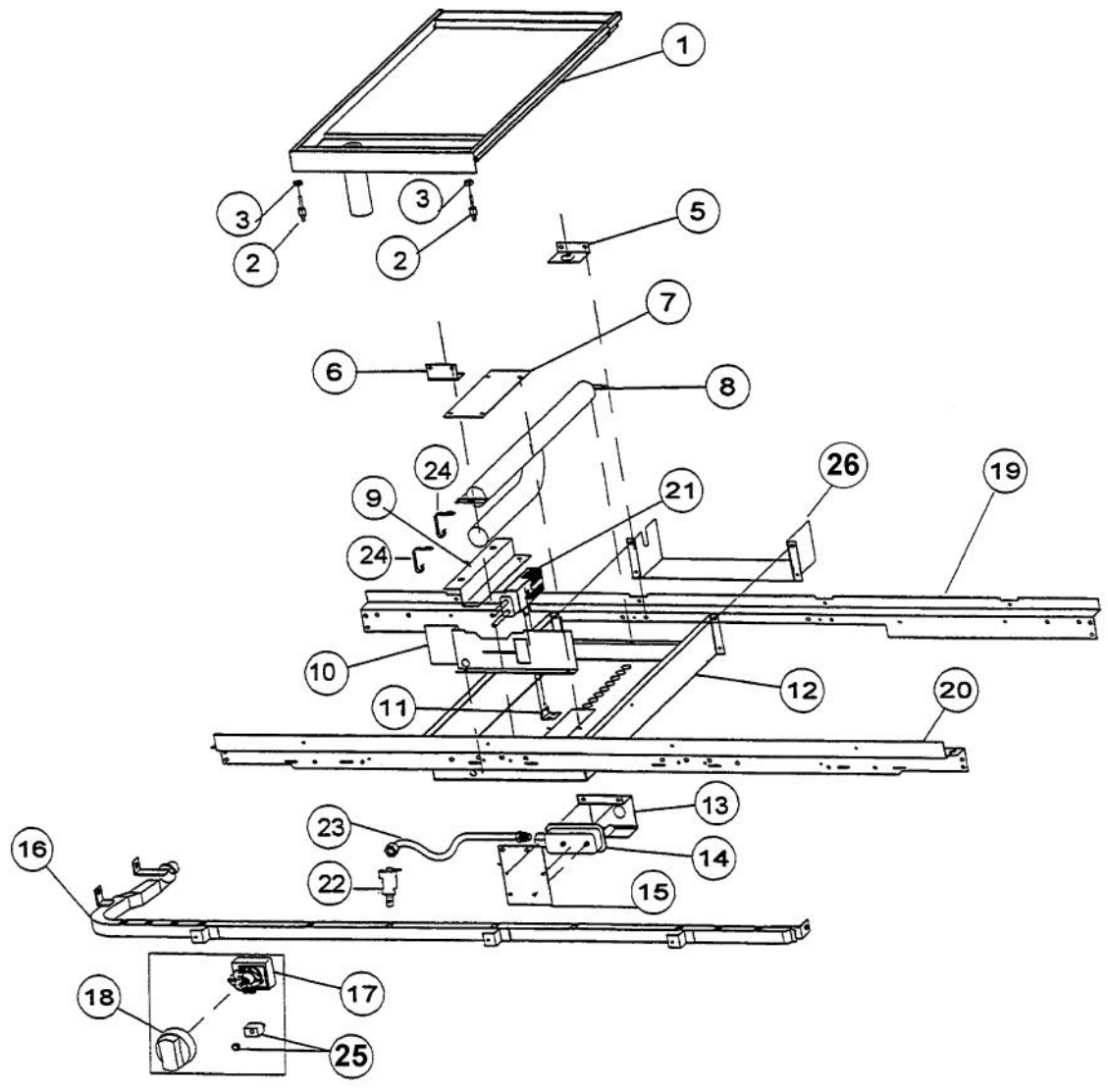
----- Manual continues below -----



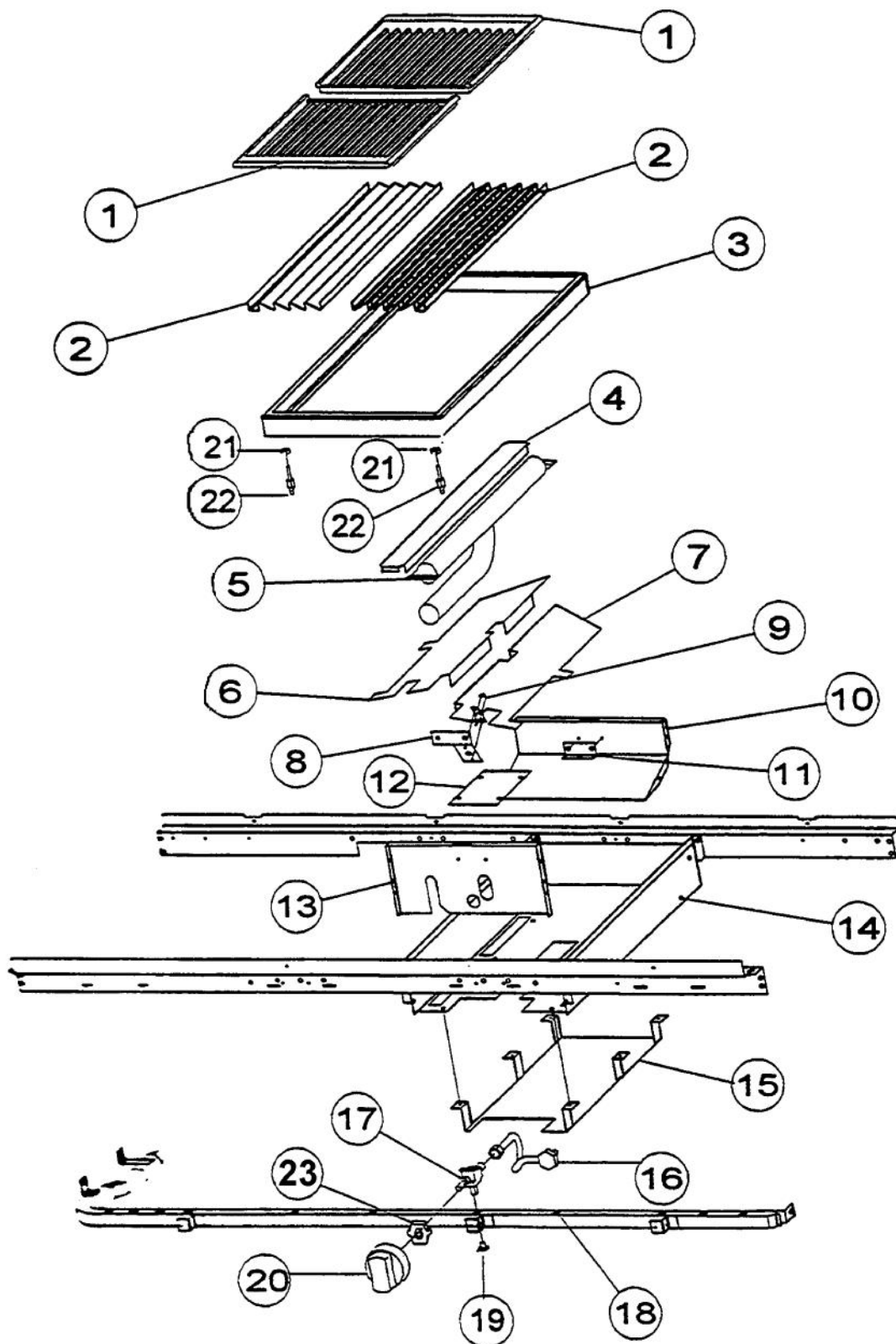
| Ref # | Part Number | Qty. | Description |
|-------|-------------|------|--------------------------------------|
| 1 | PA060037 | | GRATE BK REPL PA060024 (GEN.NO.2) |
| | PA060038 | | GRAY GRATES |
| 2 | PA030002AL | | BURNER BOWL - AL |
| | PA030002BK | | BURNER BOWL (VGRT) XXBKXX |
| | PA030002BT | | BURNER BOWL - BT |
| | PA030002CB | | BURNER BOWL - CB |
| | PA030002EP | | BURNER BOWL - EP |
| | PA030002FG | | BURNER BOWL - FG |
| | PA030002GG | | BURNER BOWLS - GG |
| | PA030002LE | | BURNER BOWLS - LE |
| | PA030002LN | | BURNER BOWL (VGRT) XXLNX |
| | PA030002MJ | | BURNER BOWL (VGRT) XXMJXX |
| | PA030002PL | | BURNER BOWL (VGRT) XXPLXX |
| | PA030002SG | | BURNER BOWL - SG |
| | PA030002VB | | BURNER BOWL (VGRT) XXVBXX |
| | PA030002WH | | BURNER BOWL (VGRT) XXWHXX |
| 3 | PA080015 | | BURNER CAP-VGRT XBKX |
| | PA080016 | | BURNER CAP-VGRT (GRAY-MATT) |
| 4 | G50013584AL | | BURNER GRATE SUPPORT ASSEMBLY - AL |
| | G50013584BK | | GRATE SUPPORT SERVICE KIT (BK) |
| | G50013584BT | | GRATE SUPPORT SERVICE KIT (BT) - NLA |
| | G50013584CB | | BURNER GRATE SUPPORT ASSEMBLY - CB |
| | G50013584EP | | BURNER GRATE SUPPORT ASSEMBLY - EP |
| | G50013584FG | | BURNER GRATE SUPPORT ASSEMBLY - FG |
| | G50013584GG | | BURNER GRATE SUPPORT ASSEMBLY - GG |
| | G50013584LE | | BURNER GRATE SUPPORT ASSEMBLY - LE |
| | G50013584LN | | GRATE SUPPORT SERVICE KIT (LN) |
| | G50013584MJ | | BURNER GRATE SUPPORT ASSEMBLY - MJ |
| | G50013584PL | | GRATE SUPPORT ASSEMBLY - PL |
| | G50013584SG | | BURNER GRATE SUPPORT ASSEMBLY - SG |
| | G50013584VB | | BURNER GRATE SUPPORT ASSEMBLY - VB |
| | G50013584WH | | GRATE SUPPORT SERVICE KIT (WH) |
| 5 | PD030017 | | BALL STUD |
| 6 | PD030012 | | 6-32 HEX NUT |
| 7 | B2002346 | | SIDE TRIM - LH (VGSS) |
| | C9302346BR | | SIDE TRIM - LH (VGSS) XBRX |
| 8 | B2002345 | | SIDE TRIM - RH (VGSS) |
| | C9302345BR | | SIDE TRIM - RH (VGSS) XBRX |
| 9 | PB080011 | | GREASE PAN |
| 10 | G3004873 | | DRIP TRAY WELD ASSY (48) |
| 11 | PD040004 | | GROMMET BUMPER |
| 12 | G3203148 | | DRIP TRAY HANDLE 48`` - SS |
| | G3203147 | | DRIP TRAY HANDLE 48`` - BR |
| 13 | PD010003 | | 10-24 X 1/2 PH.TR.HD.SERD.M.S. |
| NI | PD030010 | | NO.10-24 KEPS NUT |



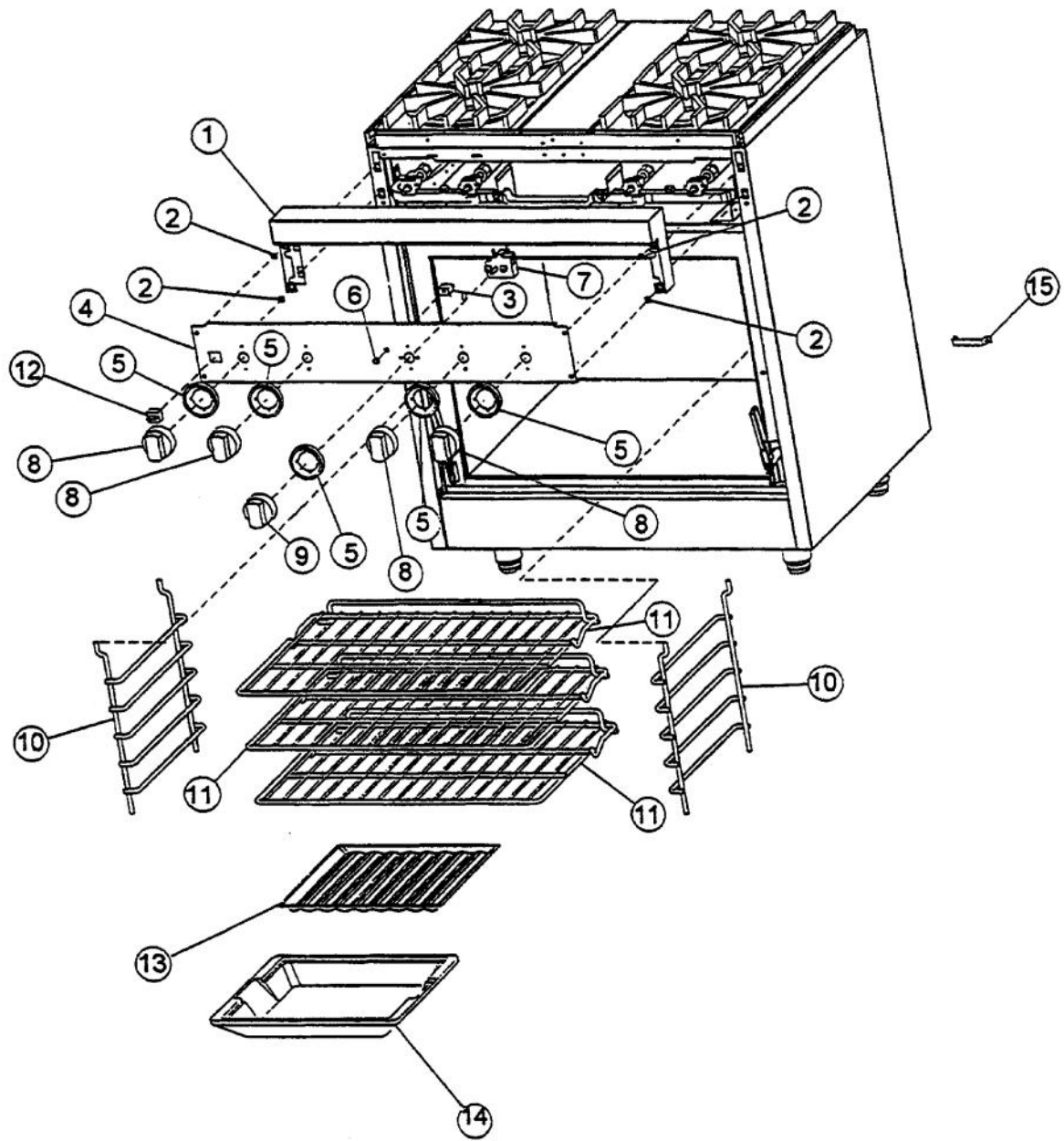
| Ref # | Part Number | Qty. | Description |
|-------|-------------|------|---|
| 1 | PA020014 | | SPARK IGNITOR |
| 2 | PA080036 | | TOP BURNER REAR REPL PA080008 |
| 3 | PA080037 | | TOP BURNER FRONT REPL PA080007 |
| 4 | A2001112 | | BURNER SUPT (VGRT) |
| 5 | A2001147 | | GRATE SUPT ANGLE (VGRT) |
| 6 | A2002073 | | SPARK MODULE BRKT (VGSS480) |
| 7 | PA020047 | | INVENYSYS 0+4 RE-IGNITION SPARK MODULE |
| 8 | A2001620 | | SPARK MODULE COVER (VGRC) |
| 9 | PD040005 | | SNAP BUSHING - 7/8 |
| 10 | PA070001 | | PRESSURE REGULATOR (NAT.) |
| 11 | A1001138 | | MANIFOLD BRKT |
| 12 | PA050115 | | UNIVERSAL 48 MANIFOLD |
| 13 | 003519-000 | | PA010024 VALVE AND BOLT KIT (BEFORE 08/09/02) |
| | G50012678 | | TOP BURNER VALVE KIT (BRASS VALVE REPLACEMENT) (BETWEEN 08/09/02 & 02/23/05) |
| | PA010157 | | SUB TO 003515-000 - RANGE TOP BURNER VALVE (AFTER 02/23/05) |
| 14 | PD010012 | | VALVE BOLT 1/4-20 UNC-2B 5/16 M.S. |
| 15 | PA020015 | | SPARK IGNITION SWITCH (BEFORE 2/23/05) |
| | PA020045 | | IGNITOR SWITCH (AFTER 2/23/05) |
| 16 | PB030002 | | SUB TO 003862-000 - SHUTOFF VALVE (BEFORE 2/23/05) |
| | PB030007 | | SHUT OFF VALVE (AFTER 2/23/05) |
| 17 | PB010083 | | SINGLE THERMAL VALVE LH (OVEN) |
| 18 | PE070070 | | DISCONNECT BLOCK XALX 770020-1 |
| 19 | PE070071 | | DISCONNECT BLOCK XALX 770027-1 |
| 20 | PE070128 | | SUPPLY CORD (VGRT/SC/SS/RC) |
| 21 | A2002377 | | REAR BURNER SUPT (VGSS48) |
| 22 | A2001104 | | FRONT SUPT (48) |
| 23 | PK000008 | | DRIP TRAY GUIDE - RH |
| 24 | PK000007 | | DRIP TRAY GUIDE - LH (VGRT) |
| NI | G4001330 | | SPARK IGNITOR WIRE ASSY (10) |
| NI | G4001688 | | SPARK MODULE-TOP BRNR SPARKER (52) |
| NI | A2001627 | | BROIL VALVE BRKT (VGRC) |
| NI | A2001628 | | BROIL VALVE COVER (VGRC) |
| NI | PB040034 | | ORIFICE HOOD-NO.50 (NAT) |
| NI | PB040036 | | ORIFICE HOOD-NO.57 (LP) |
| NI | 003226-000 | 1 | FJT VALVE - NO NUT/FERRELL |



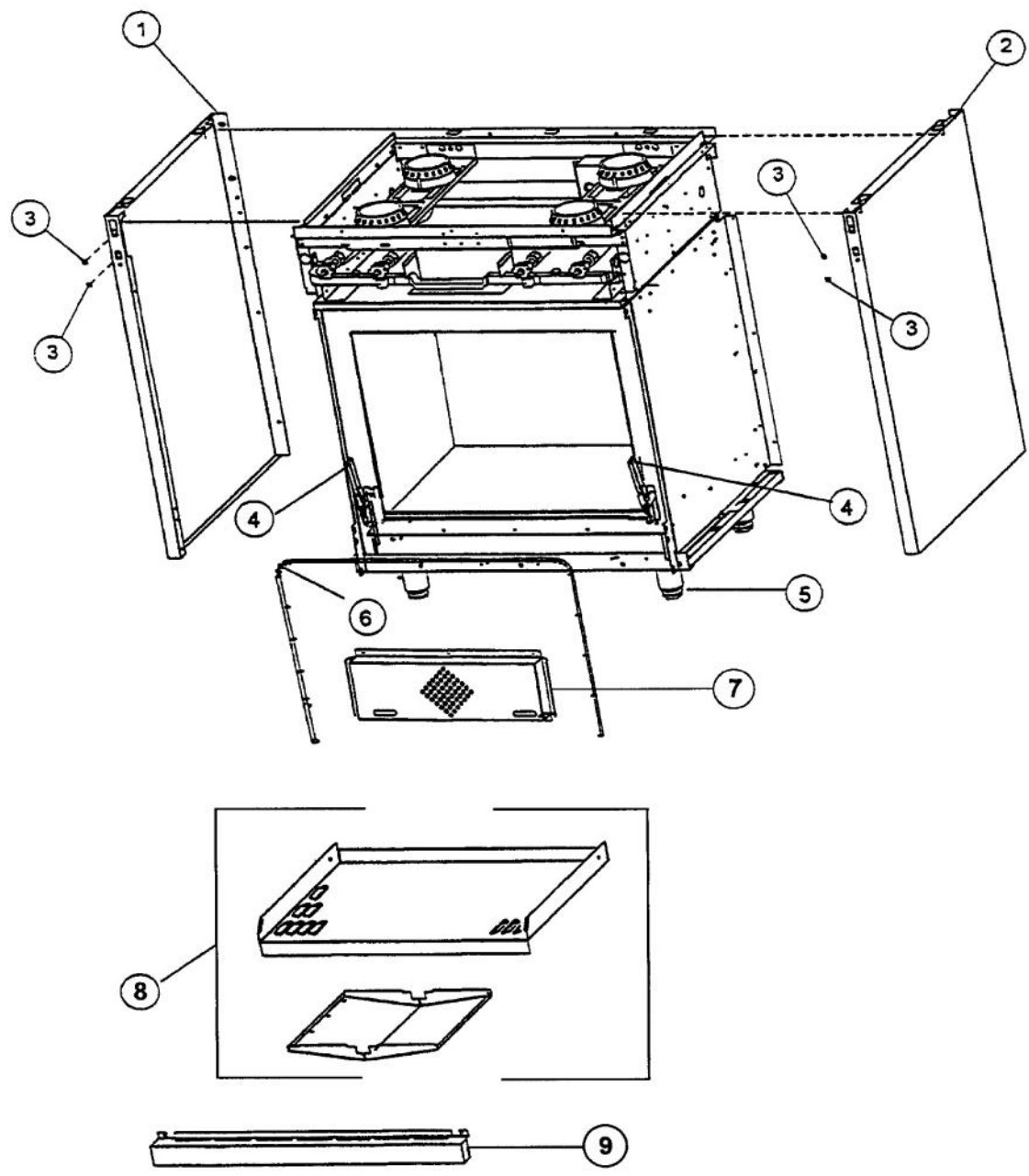
| Ref # | Part Number | Qty. | Description |
|-------|------------------------|------|---|
| 1 | G30010494 G30010495 | | GRIDDLE WELD ASSY GRIDDLE ASSEMBLY |
| 2 | PD010017 | | BALL STUD (VGRT) |
| 3 | PD030012 | | 6-32 HEX NUT |
| 5 | A2001880 | | REAR MTG. BRKT. GRIDDLE FLAME SHLD |
| 6 | A2001881 | | FRONT MTG. BRKT. GRIDDLE FLAME SHLD |
| 7 | A1001636 | | GRIDDLE VENTURI COVER |
| 8 | PB050077 | | GRILL BURNER |
| 9 | A2001949 | | T/STAT BULB COVER REPL A2001883 |
| 10 | A2002001 | | GRIDDLE HEAT BAFFLE - SLOT SUPT |
| 11 | A2001300 | | GRIDDLE IGNITOR BRKT |
| 12 | A2001148 | | GRIDDLE BOX (VGRT) |
| | A2007610 | | GRIDDLE BOX - VGIC4854G |
| 13 | A2001630 | | GRIDDLE VALVE COVER (VGRC) |
| 14 | PB010004 | | SINGLE SAFETY VALVE (NAT. GRIDDLE) |
| 15 | A1001198 | | THERMAL VALVE BRKT |
| 16 | PA050115 | | UNIVERSAL 48 MANIFOLD |
| 17 | PB010035 | | THERMOSTAT BAKE |
| 18 | PB010103 PB010104 | | GRIDDLE KNOB N/S XBKX GRIDDLE KNOB N/S XWHX |
| 19 | A2002377 | | REAR BURNER SUPT (VGSS48) |
| 20 | A2001104 | | FRONT SUPT (48) |
| 21 | PB040001 | | IGNITOR - (ALL RANGES) |
| 22 | PB030002 | | SUB TO 003862-000 - SHUTOFF VALVE |
| 23 | PB020116 | | TUBING - 10 FLEXIBLE 12 & 24 |
| 24 | PD030031 | | THERMAL BULB CLIP - .250 |
| 25 | PE050023 PE050024 | | OVEN IND. LIGHT (LENS & BEZEL) OVEN IND. LIGHT (LIGHT HOUSING) |
| 26 | A2002147 | | GRIDDLE FLUE COVER (VGRT/VGSS/VGIS) |
| NI | PD040022 | | 1/2 X 1/4-BUMPER (PORT. GRIDDLE)(BK |
| NI | PD020039 | | NO.6-32 X 1/2 PH.PN.HD. TYPE (23) |
| NI | A2007995 | | LEFT GRIDDLE FLUE BOX-VGIC4854G |
| NI | A2007996 | | RIGHT GRIDDLE FLUE BOX |
| NI | A1007997 | | RIGHT OVEN FLUE COVER-VGIC4854G |
| NI | A1007998 | | LEFT OVEN FLUE COVER |
| NI | PB040034 | | ORIFICE HOOD-NO.50 (NAT) |
| NI | PB040036 | | ORIFICE HOOD-NO.57 (LP) |
| NI | A2001179 | | BACK SUPT (VGRT) |



| Ref # | Part Number | Qty. | Description |
|-------|-------------|------|-------------------------------------|
| 1 | PA060028 | | GRILL GRATE - BK |
| | PA060029 | | GRILL GRATE - GR |
| 2 | E9101130BK | | GRILL SMOKE GENERATOR |
| 3 | G9101182AL | | GRILL GRATE SUPT (VGRT) XALX |
| | G9101182BK | | GRILL GRATE SUPT (VGRT) XBKX |
| | G9101182BT | | GRILL GRATE SUPT (VGRT) XBTX |
| | G9101182CB | | GRILL GRATE SUPT (VGRT) XCBX |
| | G9101182EP | | GRILL GRATE SUPT (VGRT) XEPX |
| | G9101182FG | | GRILL GRATE SUPT (VGRT) XFGX |
| | G9101182GG | | GRILL GRATE SUPPORT - GG |
| | G9101182LE | | GRILL GRATE SUPT (VGRT) XLEX |
| | G9101182LN | | GRILL GRATE SUPT (VGRT) XLNX |
| | G9101182MJ | | GRILL GRATE SUPT (VGRT) XMJX |
| | G9101182PL | | GRILL GRATE SUPT (VGRT) XPLX |
| | G9101182SG | | GRILL GRATE SUPT (VGRT) XSGX |
| | G9101182VB | | GRILL GRATE SUPT (VGRT) XVBX |
| | G9101182WH | | GRILL GRATE SUPT (VGRT) XWHX |
| 4 | B2001140 | | GRILL FLAME SHIELD (VGRT) |
| 5 | PB050077 | | GRILL BURNER |
| 6 | B2001856 | | GRILL HEAT DEFLECTOR-LH (VGRC60) |
| 7 | B2001857 | | GRILL HEAT DEFLECTOR-RH (VGRC60) |
| 8 | A2001633 | | GRILL FRONT SPARKER BRKT (VGRC) |
| 9 | PA020014 | | SPARK IGNITOR |
| 10 | A2001855 | | GRILL BACK - (VGRC605) |
| 11 | A2001132 | | REAR GRILL BURNER BRKT (VGRT) |
| 12 | A1001862 | | GRILL VENTURI COVER (VGRC605) |
| 13 | A2001631 | | GRILL BOX FRONT (VGRC) |
| 14 | A2001852 | | GRILL BOX - (VGRC605) |
| 15 | A2001863 | | GRILL BTM SHIELD (VGRC605) |
| 16 | PB020025 | | TUBING-GRILL (REVISED) REP PB020021 |
| 17 | PA010030 | | GRILL VALVE-(VGRT) |
| 18 | PA050115 | | UNIVERSAL 48 MANIFOLD |
| 19 | PD010012 | | VALVE BOLT 1/4-20 UNC-2B 5/16 M.S. |
| 20 | PA010039 | | TOP GRILL KNOB XBKX (VGRC) (N/STYLE |
| | PA010040 | | TOP GRILL KNOB XWHX (VGRC) (N/STYLE |
| 21 | PD030012 | | 6-32 HEX NUT |
| 22 | PD010017 | | BALL STUD (VGRT) |
| 23 | PA020011 | | SPARK IGN SWITCH REPL PA020012 |
| NI | PB040061 | | ORIFICE HOOD - NO.48 |

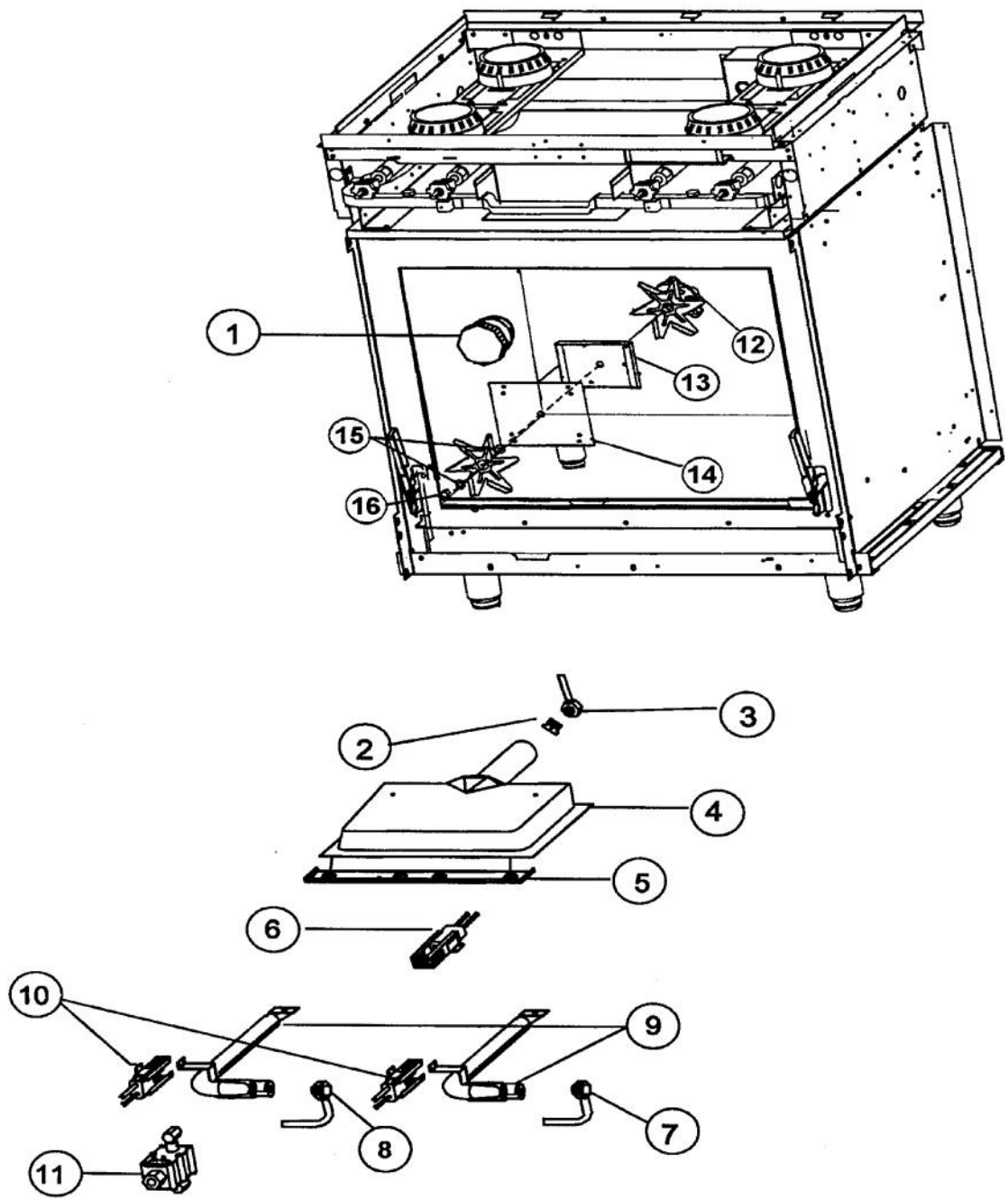


| Ref # | Part Number | Qty. | Description |
|-------|-------------|------|--|
| 1 | G3001584 | | LANDING LGD 48 |
| 2 | PD030050 | | 10-24 CAGE NUT SS |
| 3 | PE050024 | | OVEN IND. LIGHT (LIGHT HOUSING) |
| 4 | B9202374 | | CTRL PAN- (VGRC485-6G)XSLK SCRX |
| | B9201286 | | CTRL PAN - VGRC485-4G XSLK SCRX |
| | B9202376 | | CTRL PAN- (VGRC485-6Q) XSLK SCRX |
| | B9202373 | | CTRL PAN- (VGRC485-4GQ)XSLK SCRX |
| 5 | PB010208 | | BEZEL, CHROME PLATE |
| | PB010209 | | BEZEL BRASS |
| 6 | PE050023 | | OVEN IND. LIGHT (LENS & BEZEL) |
| 7 | PB010036 | | THERMOSTAT BAKE/BROIL |
| 8 | PA010034 | | TOP BURNER KNOB-XBKX (NEW STYLE) |
| | | | (BEFORE 08/09/02 - OR IF ORIGINAL VALVE HAS NEVER BE... |
| | PA010035 | | BURNER KNOB-WH NS REPL PA010028 |
| | | | (BEFORE 08/09/02 - OR IF ORIGINAL VALVE HAS NEVER BE... |
| | PB010206 | | VGSC,VGRC,VGRT TOP BURNER KNOB(BK) |
| | | | (AFTER 08/09/02 - OR IF ORIGINAL VALVE HAS BEEN REPLA... |
| | PB010207 | | VGSC,VGRC,VGRT TOP BURNER KNOB(WH) |
| | | | (AFTER 08/09/02 - OR IF ORIGINAL VALVE HAS BEEN REPLA... |
| 9 | PB010099 | | T/STAT B/B KNOB BK REPL PB010039BKX |
| | PB010100 | | THERMOSTAT BAKE/BROIL KNOB XWHX N/S |
| 10 | PB060030 | | RACK SUPT REPL PB060010 |
| 11 | PB060038 | | RACK REPL PB060011 |
| 12 | PE050016 | | OVEN LIGHT SWITCH - XBKX (WES-GAR) |
| | PE050017 | | OVEN LIGHT SWITCH - XWHX (WES-GAR) |
| 13 | PB080003 | | BROILER PAN TRAY (KRA2) |
| 14 | PB080002 | | BROILER PAN |
| 15 | A2001259 | | ANTI-TIP DEVICE |

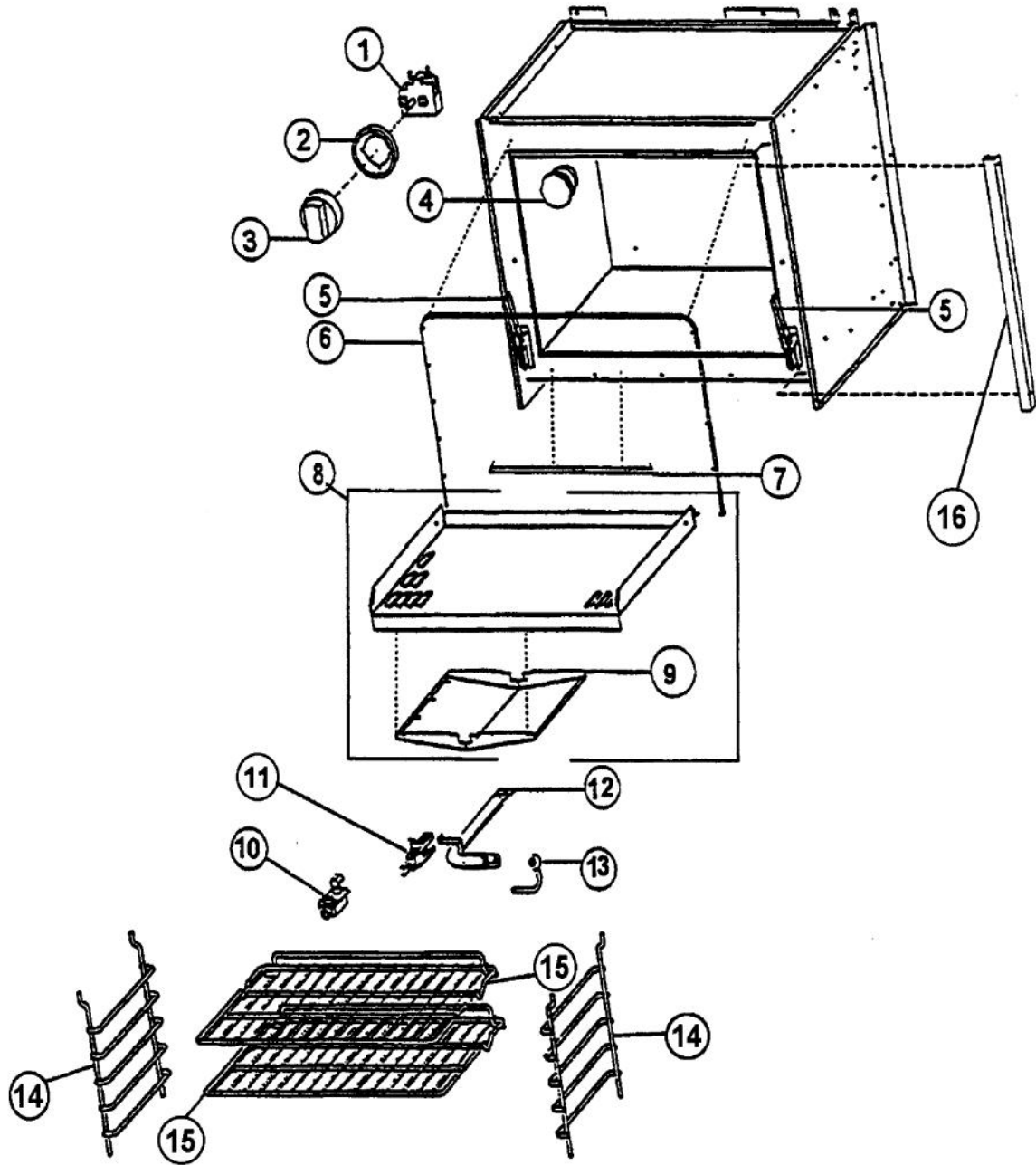


| Ref # | Part Number | Qty. | Description |
|-------|-------------|------|---|
| 1 | B2002598 | | O/S BODY PANEL LH (SS) |
| | C9002598AL | | BODY PNL LH 30" REPL C9001922AL |
| | C9002598BK | | BODY PNL LH 30" REPL C9001922BK |
| | C9002598BT | | O/S BODY PANEL-LH XBTX (VDSC) |
| | C9002598BU | | BODY PNL LH 30" REPL C9001922BU |
| | C9002598CB | | O/S BODY PANEL-LH XCBX (VDSC) |
| | C9002598EP | | O/S BODY PANEL-LH XEPX (VDSC) |
| | C9002598FG | | BODY PNL LH 30" REPL C9001922FG |
| | C9002598GG | | BODY PNL LH 30" REPL C9001922GG |
| | C9002598LE | | O/S BODY PANEL-LH XLEX (VDSC) |
| | C9002598LN | | BODY PNL LH 30" REPL C9001922LN |
| | C9002598MJ | | O/S BODY PANEL-LH XMJX (VDSC) |
| | C9002598PL | | BODY PNL LH 30" REPL C9001922PL |
| | C9002598SG | | O/S BODY PANEL-LH XSGX (VDSC) |
| | C9002598VB | | BODY PNL LH 30" REPL C9001922VB |
| | C9002598WH | | BODY PNL LH 30" REPL C9001922WH |
| 2 | B2002597 | | O/S BODY PANEL - RH (SS) |
| | C9002597AL | | O/S BODY PANEL-RH XALX (VDSC) |
| | C9002597BK | | BODY PNL RH BK REPL C9001921BK |
| | C9002597BT | | O/S BODY PANEL-RH XBTX (VDSC) |
| | C9002597BU | | BODY PNL RH BU REPL C9001921BU |
| | C9002597CB | | O/S BODY PANEL-RH XCBX (VDSC) |
| | C9002597EP | | O/S BODY PANEL-RH XEPX (VDSC) |
| | C9002597FG | | BODY PNL RH FG REPL C9001921FG |
| | C9002597GG | | BODY PNL RH GG REPL C9001921GG |
| | C9002597LE | | O/S BODY PANEL-RH XLEX (VDSC) |
| | C9002597LN | | BODY PNL RH LN REPL C9001921LN |
| | C9002597MJ | | O/S BODY PANEL-RH XMJX (VDSC) |
| | C9002597PL | | BODY PNL RH PL REPL C9001921PL |
| | C9002597SG | | O/S BODY PANEL-RH XSGX (VDSC) |
| | C9002597VB | | BODY PNL RH VB REPL C9001921VB |
| | C9002597WH | | BODY PNL RH WH REPL C9001921WH |
| 3 | PD030005 | | SELF RETAINING NUT |
| 4 | PC020007 | | HINGE ASSY (NO COLOR) |
| 5 | PC030017 | | 4 LEG ASSY |
| 6 | PB070030 | | OVEN DR GASKET-30 & 36 |
| | PB070035 | | OVEN DR GASKET LH (VGSS48) |
| 7 | G9101371 | | CONVECTION FAN COVER ASSY(VGSC305) |
| 8 | G3204251 | | OVEN BOTTOM ASSY - RH OVEN, 48 (FOR RH OVEN) |
| | G3204255 | | OVEN BOTTOM ASSY - LH OVEN, 48 (FOR LH OVEN) |
| 9 | B2001241 | | LWR ACC. PNL - RPLCS B2001973 |
| | C9001241AL | | LWR ACC PNL - RPLCS C9001973AL |
| | C9001241BK | | LWR ACC PNL - RPLCS C9001973BK |
| | C9001241BT | | LWR ACC PNL - RPLCS C9001973BT |
| | C9001241BU | | LWR ACC PNL - RPLCS C9001973BU |
| | C9001241CB | | LWR ACC PNL - RPLCS C9001973CB |
| | C9001241EP | | LWR ACC PNL - RPLCS C9001973EP |
| | C9001241FG | | LWR ACC PNL - RPLCS C9001973FG |
| | C9001241GG | | LWR ACC PNL - RPLCS C9001973GG |
| | C9001241LE | | LWR ACC PNL - RPLCS C9001973LE |
| | C9001241LN | | LWR ACC PNL - RPLCS C9001973LN |
| | C9001241MJ | | LWR ACC PNL - RPLCS C9001973MJ |
| | C9001241PL | | LWR ACC PNL - RPLCS C9001973PL |
| | C9001241SG | | LWR ACC PNL - RPLCS C9001973SG |
| | C9001241VB | | LWR ACC PNL - RPLCS C9001973VB |
| | C9001241WH | | LWR ACC PNL - RPLCS C9001973WH |
| NI | A2008456 | | HINGE POCKET COVER, VGIC RH |
| NI | A2008457 | | HINGE POCKET COVER, VGIC LH |

| Ref # | Part Number | Qty. | Description |
|-------|-------------|------|-----------------------------|
| NI | A2008457 | | HINGE POCKET COVER, VGIC LH |

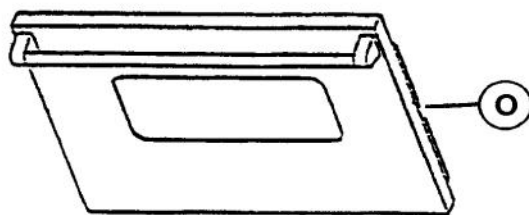
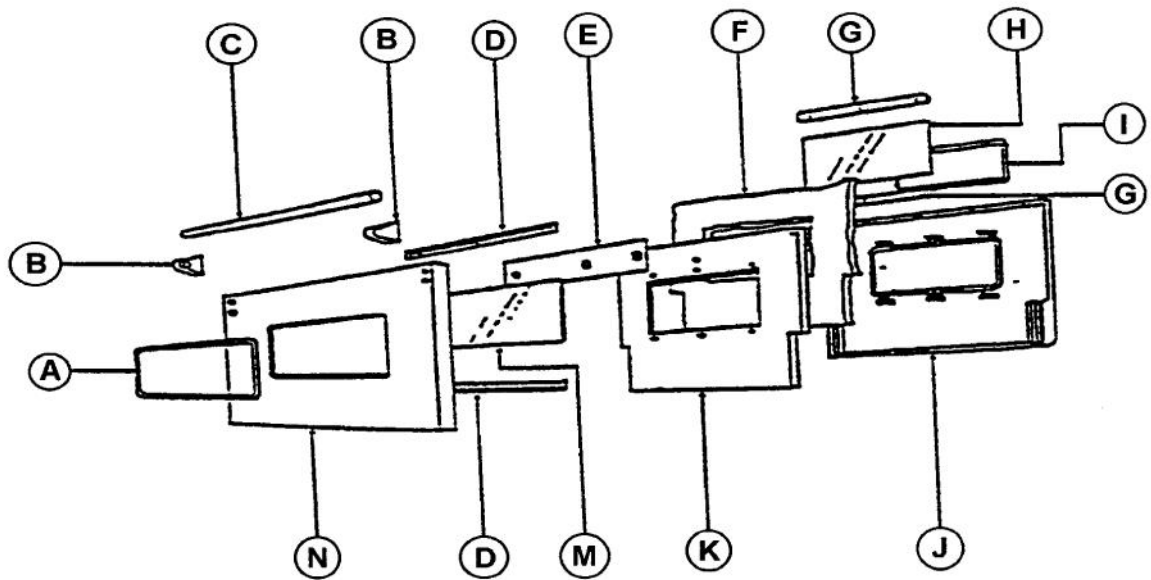


| Ref # | Part Number | Qty. | Description |
|-------|-------------|------|--|
| 1 | PE050009 | | OVEN LIGHT SOCKET - 36 BUILT-IN |
| 2 | PB040040 | | ORIFICE-IR BURNER (VGSC) |
| | PB040027 | | IR BUR.SPUD ORF. - NO.56 LP |
| 3 | PB020061 | | TUBING - BROIL-SAFETY VALVE(VGIS48) |
| NI | PD030018 | | PALNUT - 3/4-16 |
| 4 | G3001876 | | IR BURNER ASSY (VGSC/RC) N/S |
| 5 | B2001448 | | IR BROIL SUPT (FRONT) |
| | B2002261 | | FRONT I/R BROILER SUPPORT BRACKET |
| 6 | PB040001 | | IGNITOR - (ALL RANGES) |
| 7 | PB020023 | | BAKE BURNER TUBE RH OVEN |
| 8 | PB020022 | | BAKE BURNER TUBE LH OVEN |
| 9 | PB050012 | | OVEN BURNER REPL PB050009 (AFTER 04/01/94) |
| | G50013898 | | RH OVEN BAKE BURNER SERVICE KIT (BEFORE 04/01/94) |
| 10 | PB040001 | | IGNITOR - (ALL RANGES) |
| 11 | PB010084 | | DUAL THERMAL BI-MTL GAS CTRL VALVE |
| NI | E9101452 | | FLAME SPREADER 30 (VGSS) |
| NI | PB020049 | | BROIL TUBING - (VGSS480) |
| NI | PB020061 | | TUBING - BROIL-SAFETY VALVE(VGIS48) |
| | PB020062 | | TUBING-FOR MANUF. USE (F2002300) |
| 12 | PE050057 | | CONVECTION FAN (VGSC306) |
| 13 | A2002595 | | CONVECTION FAN BOX (VDSC) |
| 14 | A1002596 | | CONVECTION FAN COVER (VDSC) |
| 15 | PD030035 | | CONVECTION FAN NUT |
| 16 | PE050035 | | CONVECTION FAN BLADE |
| NI | A2008467 | | INSULATION SHIELD |
| NI | PB040057 | | ORIFICE HOOD-NO.46 |
| NI | PB040059 | | ORIFICE HOOD-NO.54 9701B1654 |
| NI | PB040036 | | ORIFICE HOOD-NO.57 (LP) |



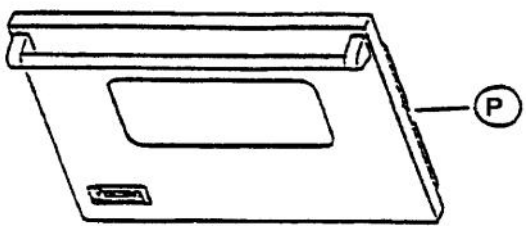
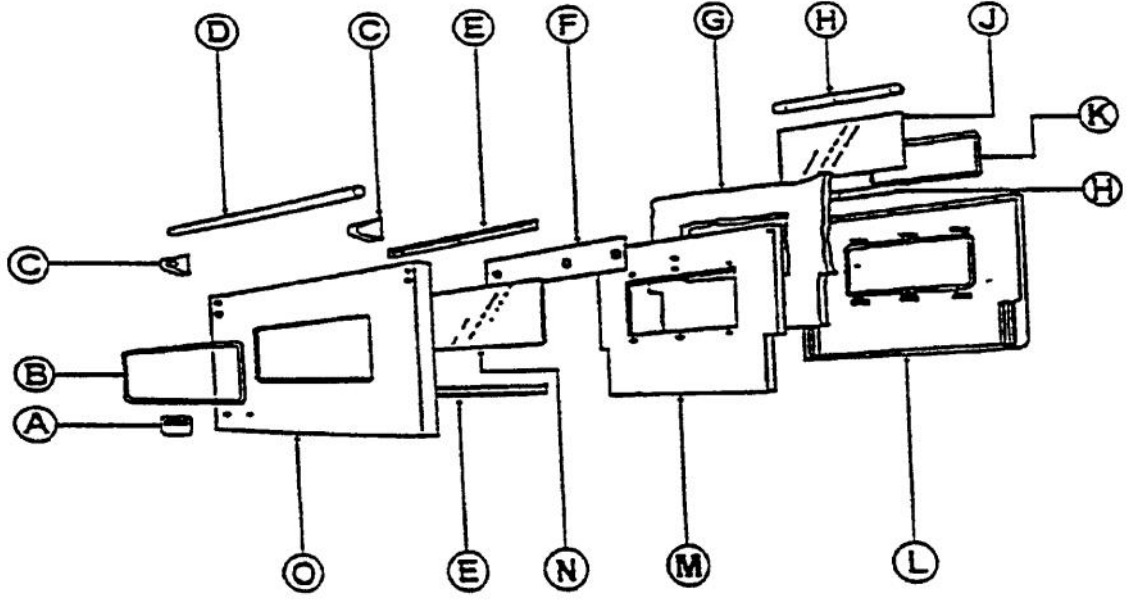
| Ref # | Part Number | Qty. | Description |
|-------|-------------|------|---------------------------------|
| 1 | PB010035 | | THERMOSTAT BAKE |
| 2 | PB010208 | | BEZEL, CHROME PLATE |
| | PB010209 | | BEZEL BRASS |
| 3 | PB010101 | | THERMOSTAT BAKE KNOB N/S XBKX |
| | PB010102 | | THERMOSTAT BAKE KNOB N/S XWHX |
| 4 | PE050009 | | OVEN LIGHT SOCKET - 36 BUILT-IN |
| 5 | PC020003 | | HINGE ASSY (BLUE) |
| 6 | PB070035 | | OVEN DR GASKET LH (VGSS48) |
| 7 | PB070001 | | OVEN DR SEAL - SIDE |
| 8 | G9101956 | | SUB TO G3204255 BTM PAN ASSY |
| 9 | A2001220 | | OVEN BTM HEAT SHIELD LH 48 |
| 10 | PB010083 | | SINGLE THERMAL VALVE LH (OVEN) |
| 11 | PB040001 | | IGNITOR - (ALL RANGES) |
| 12 | PB050014 | | OVEN BURNER LH- |
| | | | (AFTER 04/01/94) |
| | G50013899 | | LH OVEN BAKE BURNER SERVICE KIT |
| | | | (BEFORE 04/01/94) |
| 13 | PB020022 | | BAKE BURNER TUBE LH OVEN |
| 14 | PB060030 | | RACK SUPT REPL PB060010 |
| 15 | PB060016 | | SUB TO PB060040 - OVEN RACK LH |
| 16 | B2001974 | | CENTER TRIM (VGSS480) |
| | | | (BEFORE 06/27/05) |
| | C9001974AL | | CENTER TRIM XALX (VGSS480) |
| | | | (BEFORE 06/27/05) |
| | C9001974BK | | CENTER TRIM XBKX (VGSS480) |
| | | | (BEFORE 06/27/05) |
| | C9001974BT | | CENTER TRIM XBTX (VGSS480) |
| | | | (BEFORE 06/27/05) |
| | C9001974BU | | CENTER TRIM XBUX (VGIC48) |
| | | | (BEFORE 06/27/05) |
| | C9001974CB | | CENTER TRIM XCBX (VGSS480) |
| | | | (BEFORE 06/27/05) |
| | C9001974EP | | CENTER TRIM XEPX (VGSS480) |
| | | | (BEFORE 06/27/05) |
| | C9001974FG | | CENTER TRIM XFGX (VGIC48) |
| | | | (BEFORE 06/27/05) |
| | C9001974GG | | CENTER TRIM XGGX (VGIC48) |
| | | | (BEFORE 06/27/05) |
| | C9001974LE | | CENTER TRIM XLE X (VGSS480) |
| | | | (BEFORE 06/27/05) |
| | C9001974LN | | CENTER TRIM XLNX (VGIC48) |
| | | | (BEFORE 06/27/05) |
| | C9001974MJ | | CENTER TRIM XMJX (VGSS480) |
| | | | (BEFORE 06/27/05) |
| | C9001974PL | | CENTER TIRM XPLX (VGIC48) |
| | | | (BEFORE 06/27/05) |
| | C9001974SG | | CENTER TRIM XSGX (VGSS480) |
| | | | (BEFORE 06/27/05) |
| | C9001974VB | | CENTER TRIM XVBX (VGIC48) |
| | | | (BEFORE 06/27/05) |
| | C9001974WH | | CENTER TRIM XWHX (VGSS480) |
| | | | (BEFORE 06/27/05) |
| | B20013824 | | CENTER TRIM 48 |
| | | | (AFTER 06/27/05) |
| | C90013824AL | | CENTER TRIM 48 (AL) |
| | | | (AFTER 06/27/05) |
| | C90013824BK | | CENTER TRIM 48 (BK) |
| | | | (AFTER 06/27/05) |
| | C90013824BT | | CENTER TRIM 48 (BT) |
| | | | (AFTER 06/27/05) |

| Ref # | Part Number | Qty. | Description |
|-------|-------------|------|---|
| | C90013824BU | | (AFTER 06/27/05) CENTER TRIM 48 (BU) |
| | C90013824CB | | (AFTER 06/27/05) CENTER TRIM 48 (CB) |
| | C90013824EP | | (AFTER 06/27/05) CENTER TRIM 48 (EP) |
| | C90013824FG | | (AFTER 06/27/05) CENTER TRIM 48 (FG) |
| | C90013824GG | | (AFTER 06/27/05) CENTER TRIM 48 (GG) |
| | C90013824LE | | (AFTER 06/27/05) CENTER TRIM 48 (LE) |
| | C90013824LN | | (AFTER 06/27/05) CENTER TRIM - LN (AFTER 06/27/050) |
| | C90013824MJ | | (AFTER 06/27/05) CENTER TRIM 48 (MJ) |
| | C90013824PL | | (AFTER 06/27/05) CENTER TRIM 48 XPLX |
| | C90013824SG | | (AFTER 06/27/05) CENTER TRIM 48 (SG) |
| | C90013824VB | | (AFTER 06/27/05) CENTER TRIM 48 (VB) |
| | C90013824WH | | (AFTER 06/27/05) CENTER TRIM 48 (WH) |
| NI | PB020050 | | (AFTER 06/27/05) SHUTOFF-SINGLE/DUAL VALVE (SS48/36) |



| Ref # | Part Number | Qty. | Description |
|-------|--------------|------|-------------------------------------|
| A | PE060007 | | J-MOLD (1 RADIUS) |
| | PE060020 | | J-MOLD (VGSO OVN DOOR) XBRX |
| NI | PD030006 | | CAPPED WASHER PAL NUT |
| NI | PD010019 | | BLT-1/4-20X3/8HEX WASHER SERATED |
| B | PE030001 | | BRACKET, DOOR, HANDLE |
| | PE030001PVD | | END CAP DOOR HANDLE XBR |
| C | PE030005 | | DOOR HANDLE - VGSC30/RC60/RC48RH |
| | PE030012PVD | | DOOR HANDLE - RH - (30/48) PVD |
| D | A2001447 | | OUTER DOOR GLASS RETAINER |
| E | A1001381 | | DOOR HEAT BAFFLE (VGSC/VGSS) |
| F | PB070034 | | INSULATION-TRS-10 1 X 20 X 3' |
| G | A2001480 | | INNER DOOR GLASS RETAINER |
| H | PE060008 | | GLASS REPL PE060009 |
| I | PB070014 | | DOOR GLASS SEAL STRIP - WINDOW DRS. |
| J | H9101928 | | OVEN DR LINER ASSY (30)W/WD (MC) |
| K | A2001718 | | DOOR INSUL RETAINER (VGSC/SS) W/W |
| M | PE060018 | | OVEN GLASS-TEMPERED,SCREENEDXBKX |
| N | B2009173 | | OUTSIDE DOOR PANEL 48 RH XSSX |
| | C9009174AL | | OUTSIDE DOOR PANEL 48 RH XALX |
| | C9009174BK | | OUTSIDE DOOR PANEL 48 RH XBKX |
| | C9009174BT | | OUTSIDE DOOR PANEL 48 RH XBTX |
| | C9009174BU | | OUTSIDE DOOR PANEL 48 RH XBUX |
| | C9009174CB | | OUTSIDE DOOR PANEL 48 RH XCBX |
| | C9009174EP | | OUTSIDE DOOR PANEL 48 RH XEPX |
| | C9009174FG | | OUTSIDE DOOR PANEL 48 RH XFGX |
| | C9009174GG | | OUTSIDE DOOR PANEL 48 RH XGGX |
| | C9009174LE | | OUTSIDE DOOR PANEL 48 RH XLEX |
| | C9009174LN | | OUTER DOOR PANEL - LN |
| | C9009174MJ | | OUTSIDE DOOR PANEL 48 RH XMJX |
| | C9009174PL | | OUTER DOOR PANEL - PL |
| | C9009174SG | | OUTSIDE DOOR PANEL 48 RH XSGX |
| | C9009174VB | | OUTSIDE DOOR PANEL 48 RH XVBX |
| | C9009174WH | | OUTSIDE DOOR PANEL 48 RH XWHX |
| O | G3209184AL | | DOOR ASSY 48 RH XALX |
| | G3209184ALBR | | DOOR ASSY 48 RH XALBRX |
| | G3209184BK | | DOOR ASSY 48 RH XBKX |
| | G3209184BKBR | | DOOR ASSY 48 RH XBKBRX |
| | G3209184BT | | DOOR ASSY 48 RH XBTX |
| | G3209184BTBR | | DOOR ASSY 48 RH XBTBRX |
| | G3209184BU | | DOOR ASSY 48 RH XBUX |
| | G3209184BUBR | | DOOR ASSY 48 RH XBUBRX |
| | G3209184CB | | DOOR ASSY 48 RH XCBX |
| | G3209184CBBR | | DOOR ASSY 48 RH XCBBRX |
| | G3209184EP | | DOOR ASSY 48 RH XEPX |
| | G3209184EPBR | | DOOR ASSY 48 RH XEPBRX |
| | G3209184FG | | DOOR ASSY 48 RH XFGX |
| | G3209184FGBR | | DOOR ASSY 48 RH XFGBRX |
| | G3209184GG | | DOOR ASSY 48 RH XGGX |
| | G3209184GGBR | | DOOR ASSY 48 RH XGGBRX |
| | G3209184LE | | DOOR ASSY 48 RH XLEX |
| | G3209184LEBR | | DOOR ASSY 48 RH XLEBRX |
| | G3209184LN | | COMPLETE DOOR ASSY. - LN |
| | G3209184LNBR | | COMPLETE DOOR ASSY. - LNBR |
| | G3209184MJ | | DOOR ASSY 48 RH XMJX |
| | G3209184MJBR | | DOOR ASSY 48 RH XMJBRX |
| | G3209184PL | | COMPLETE DOOR ASSY. - PL |
| | G3209184PLBR | | COMPLETE DOOR ASSY. - PLBR |
| | G3209184SG | | DOOR ASSY 48 RH XSGX |
| | G3209184SGBR | | DOOR ASSY 48 RH XSGBRX |
| | G3209183SS | | DOOR ASSY 48 RH XSSX |

| Ref # | Part Number | Qty. | Description |
|-------|--------------|------|------------------------------------|
| | G3209183SS | | DOOR ASSY 48 RH XSSX |
| | G3209183SSBR | | DOOR ASSY 48 RH XSSBRX |
| | G3209184VB | | DOOR ASSY 48 RH XVBX |
| | G3209184VBBR | | DOOR ASSY 48 RH XVBBRX |
| | G3209184WH | | DOOR ASSY 48 RH XWHX |
| | G3209184WHBR | | DOOR ASSY 48 RH XWHBRX |
| NI | PD020032 | | SRW-8(A)X3/8PH.WFR HD 7/16DIAXNICL |



| Ref # | Part Number | Qty. | Description |
|-------|--------------|------|-------------------------------------|
| A | PE010030 | | LOGO, 6, PRO, BK |
| | PE010031 | | LOGO 6 (VGRC) XBK/WHX |
| | PE010068 | | LOGO, 6, PRO, BK/BR |
| | PE010076 | | LOGO 6 (VGRC) XBR/WHX |
| NI | PD030006 | | CAPPED WASHER PAL NUT |
| B | PE060011 | | J-MOLD - 1 RADIUS LH VGRC48 |
| | PE060021 | | J-MOLD (VGRC48 LH DOOR) XBRX |
| C | PE030001 | | BRACKET, DOOR, HANDLE |
| | PE030001PVD | | END CAP DOOR HANDLE XBR |
| NI | PD010019 | | BLT-1/4-20X3/8HEX WASHER SERATED |
| D | PE030008 | | DOOR HANDLE - LH 48VGRC |
| | PE030014PVD | | DOOR HANDLE - LH - (48) PVD |
| E | A2001622 | | OUTER GLASS RETAINER LH (VGRC48) |
| F | A1001513 | | DOOR HEAT BAFFLE LH (VGRC48) |
| G | PB070034 | | INSULATION-TRS-10 1 X 20 X 3' |
| H | A2001621 | | INNER GLASS RETAINER LH (VGRC48) |
| J | PE060012 | | GLASS-HIGH TEMPERATURE LH VGRC48 |
| K | PB070014 | | DOOR GLASS SEAL STRIP - WINDOW DRS. |
| L | G9103409 | | INSIDE DOOR LINER (VGIS48LH) |
| M | A2001961 | | DR. INSUL. RETAINER LH W/W (VGSS48) |
| N | PE060013 | | GLASS-TEMPERED, SCREENED LH VGRC48 |
| O | B2009175 | | OUTSIDE DOOR PANEL 48 LH SS |
| | C9009176AL | | OUTSIDE DOOR PANEL 48 LH XALX |
| | C9009176BK | | OUTSIDE DOOR PANEL 48 LH XBKX |
| | C9009176BT | | OUTSIDE DOOR PANEL 48 LH XBTX |
| | C9009176BU | | OUTSIDE DOOR PANEL 48 LH XBUX |
| | C9009176CB | | OUTSIDE DOOR PANEL 48 LH XCBX |
| | C9009176EP | | OUTSIDE DOOR PANEL 48 LH XEPX |
| | C9009176FG | | OUTSIDE DOOR PANEL 48 LH XFGX |
| | C9009176GG | | OUTSIDE DOOR PANEL 48 LH XGGX |
| | C9009176LE | | OUTSIDE DOOR PANEL 48 LH XLEX |
| | C9009176LN | | OUTER DOOR PANEL - LN |
| | C9009176MJ | | OUTSIDE DOOR PANEL 48 LH XMJX |
| | C9009176PL | | OUTSIDE DOOR PANEL 48 LHXPLX |
| | C9009176SG | | OUTSIDE DOOR PANEL 48 LH XSGX |
| | C9009176VB | | OUTSIDE DOOR PANEL 48 LH XVBX |
| | C9009176WH | | OUTSIDE DOOR PANEL 48 LH XWHX |
| P | G3209186AL | | DOOR ASSY 48 LH XALX |
| | G3209186ALBR | | DOOR ASSY 48 LH XALBRX |
| | G3209186BK | | DOOR ASSY 48 LH XBKX |
| | G3209186BKBR | | DOOR ASSY 48 LH XBKBRX |
| | G3209186BT | | DOOR ASSY 48 LH XBTX |
| | G3209186BTBR | | DOOR ASSY 48 LH XBTBRX |
| | G3209186BU | | DOOR ASSY 48 LH XBUX |
| | G3209186BUBR | | DOOR ASSY 48 LH XBUBRX |
| | G3209186CB | | DOOR ASSY 48 LH XCBX |
| | G3209186CBBR | | DOOR ASSY 48 LH XCBBRX |
| | G3209186EP | | DOOR ASSY 48 LH XEPX |
| | G3209186EPBR | | DOOR ASSY 48 LH XEPBRX |
| | G3209186FG | | DOOR ASSY 48 LH XFGX |
| | G3209186FGBR | | DOOR ASSY 48 LH XFGBRX |
| | G3209186GG | | DOOR ASSY 48 LH XGGX |
| | G3209186GGBR | | DOOR ASSY 48 LH XGGBRX |
| | G3209186LE | | DOOR ASSY 48 LH XLEX |
| | G3209186LEBR | | DOOR ASSY 48 LH XLEBRX |
| | G3209186LN | | COMPLETE DOOR ASSY. - LN |
| | G3209186LNBR | | COMPLETE DOOR ASSY. - LNBR |
| | G3209186MJ | | DOOR ASSY 48 LH XMJX |
| | G3209186MJBR | | DOOR ASSY 48 LH XMJBRX |
| | G3209186PL | | COMPLETE DOOR ASSY. - PL |

| Ref # | Part Number | Qty. | Description |
|-------|--------------|------|------------------------------------|
| | G3209186PL | | COMPLETE DOOR ASSY. - PL |
| | G3209186PLBR | | COMPLETE DOOR ASSY. - PLBR |
| | G3209186SG | | DOOR ASSY 48 LH XSGX |
| | G3209186SGBR | | DOOR ASSY 48 LH XSGBRX |
| | G3209185SS | | DOOR ASSY 48 LH XSSX |
| | G3209185SSBR | | DOOR ASSY 48 LH XSSBRX |
| | G3209186VB | | DOOR ASSY 48 LH XVBX |
| | G3209186VBBR | | DOOR ASSY 48 LH XVBBRX |
| | G3209186WH | | DOOR ASSY 48 LH XWHX |
| | G3209186WHBR | | DOOR ASSY 48 LH XWHBRX |
| NI | PD020032 | | SRW-8(A)X3/8PH.WFR HD 7/16DIAXNICL |