

This Owner's Manual is provided and hosted by [Appliance Factory Parts](#).



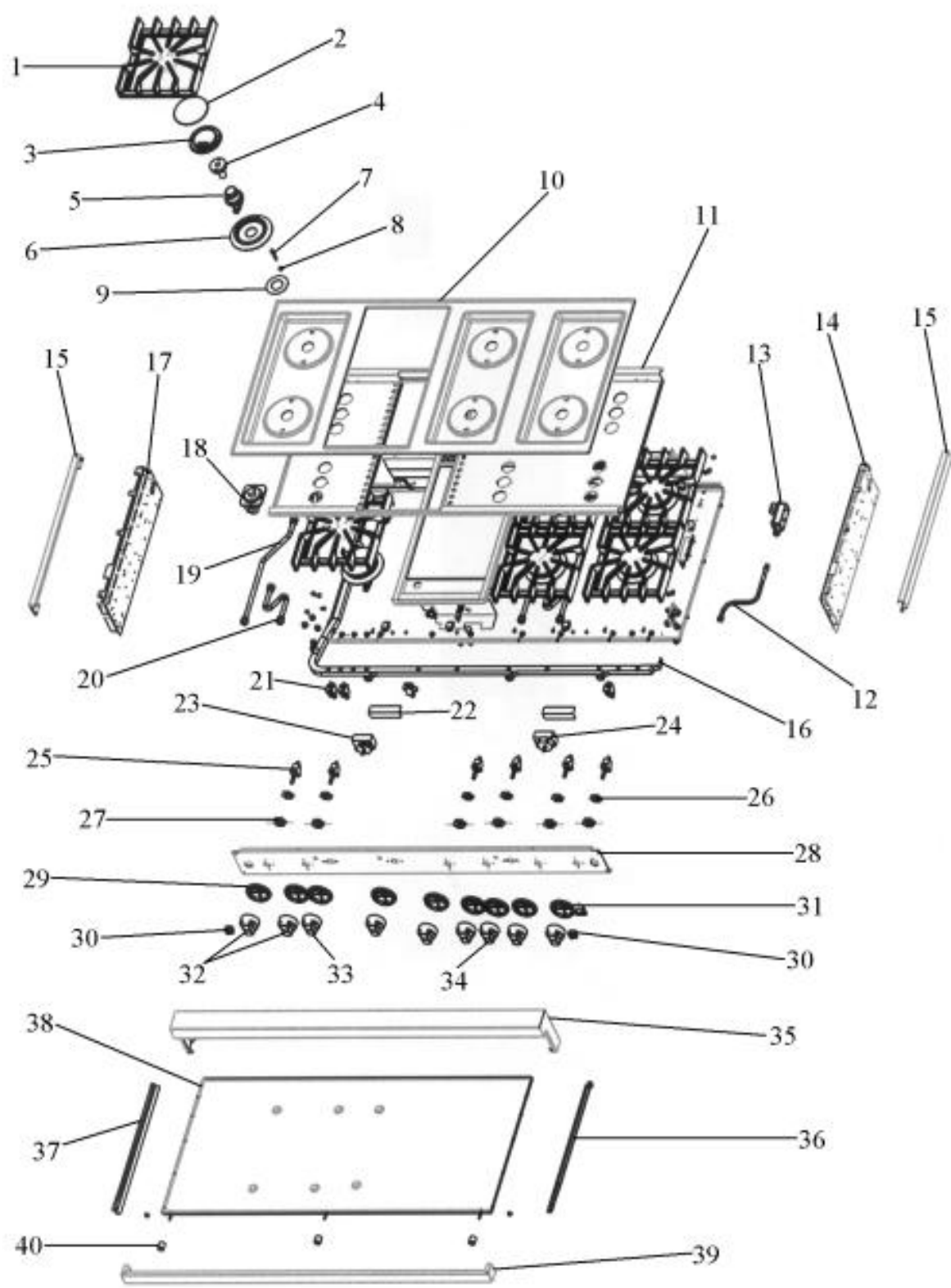
VIKING VGIC487_1 Owner's Manual

[Shop genuine replacement parts for VIKING VGIC487_1](#)



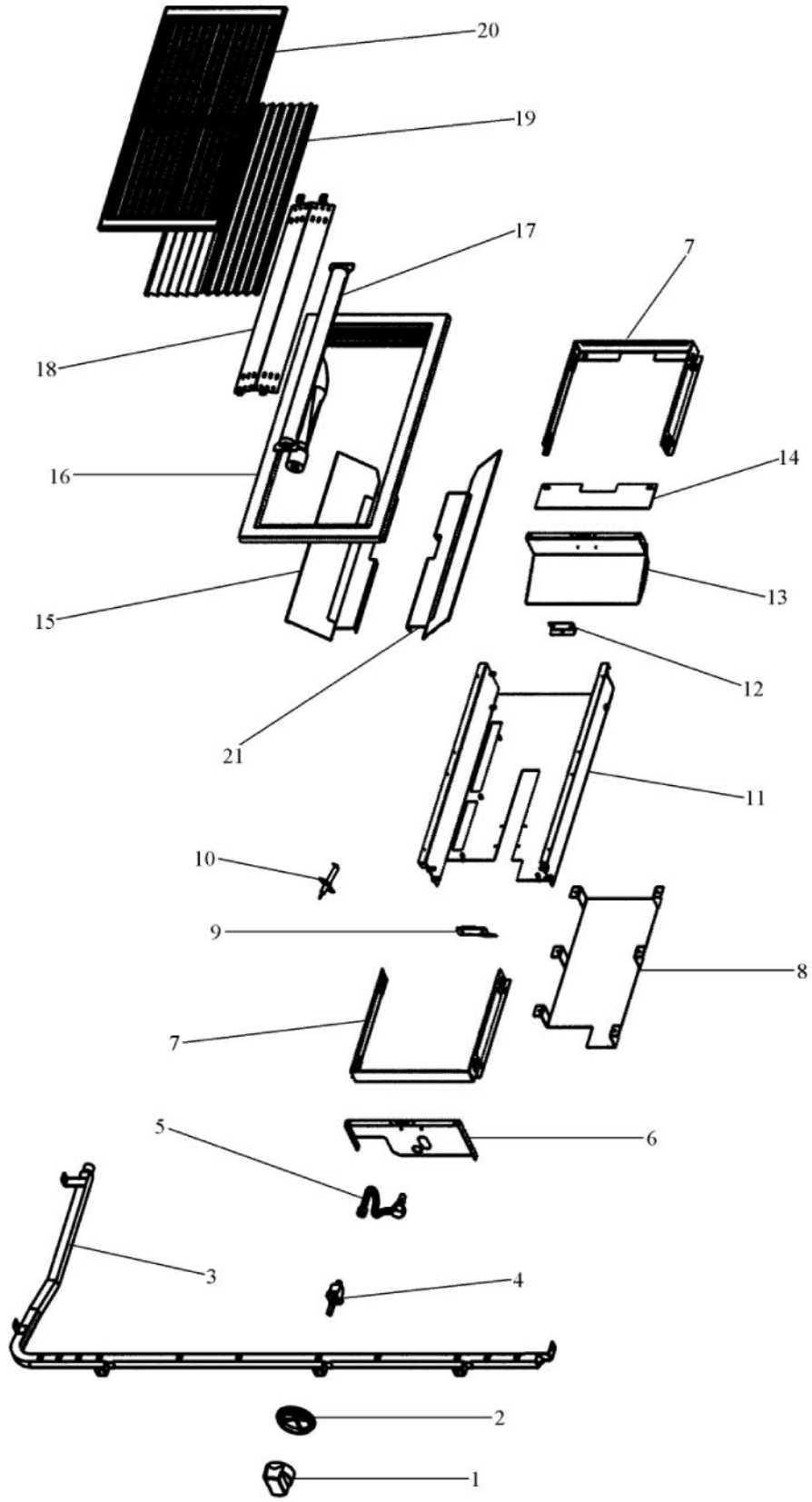
[Find Your VIKING Range Hoods Parts - Select From 411 Models](#)

----- Manual continues below -----

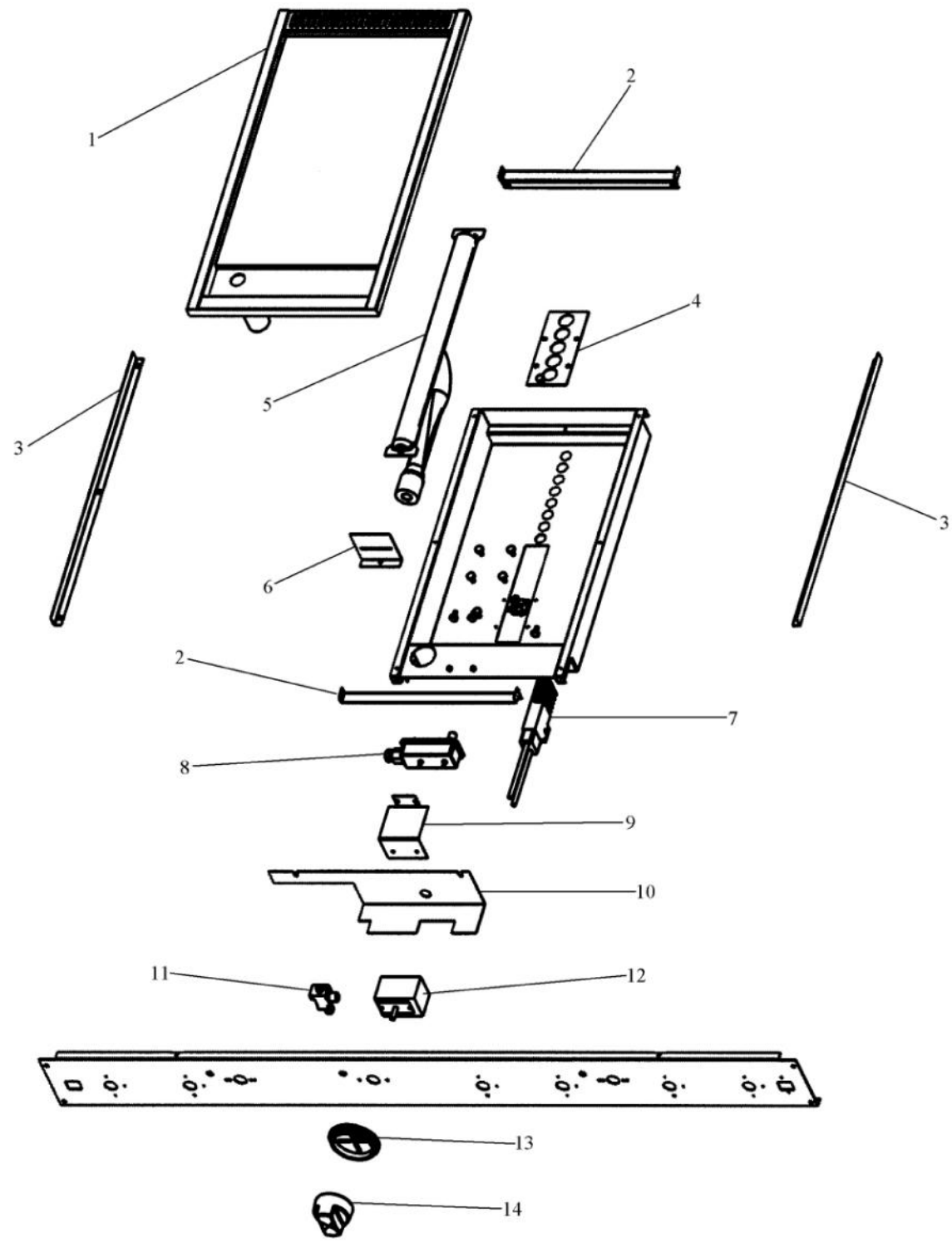


Ref #	Part Number	Qty.	Description
1	PA060054		SEALED GRATE XBKX
	PA060062		SEALED GRATE GRAY
2	PA080083		D BURNER CAP XMATTE BLACKX
	PA080086		D BURNER CAP XMATTE GRAYX
3	PB050063		BURNER HEAD
4	PA010100		VENTURI D (VDSC3074B)
5	PA080075		BODY BURNER D (VDSC3074BSS)
6	PB050062		BURNER BASE
NI	PB040194		SEALED RANGE ORIFICE (NAT)
NI	PB040217		L.P. ORIFICE
7	PB040264		GLAZED ELECTRODE REPLACED BY PB050081
8	ORDER IGNITER		N/A
9	PB070124		GASKET (VDSC3074B) REPLACED BY PB050081
10	E9109801AL		MAIN TOP ASSY - 6G / 6Q (AL)
	E9109801BK		48 SEALED COOKTOP 6BG & 6BQ XBKX
	E9109801BT		MAIN TOP ASSY - 6G / 6Q (BT)
	E9109801CB		MAIN TOP ASSY - 6G / 6Q (CB)
	E9109801EP		MAIN TOP ASSY - 6G / 6Q (EP)
	E9109801FG		MAIN TOP ASSY - 6G / 6Q (FG)
	E9109801GG		MAIN TOP ASSY - 6G / 6Q (GG)
	E9109801LE		MAIN TOP ASSY - 6G / 6Q (LE)
	E9109801MJ		MAIN TOP ASSY - 6G / 6Q (MJ)
	E9109801SG		48 SEALED COOKTOP 6BG & 6BQ XSGX
	E9109801VB		MAIN TOP ASSY - 6G / 6Q (VB)
	E9109801WH		48 SEALED COOKTOP 6BG & 6BQ XWHX
	E9109804AL		MAIN TOP ASSY - 4G (AL)
	E9109804BK		MAIN TOP (VDSC4G/4Q)
	E9109804BT		MAIN TOP ASSY - 4G (BT)
	E9109804CB		MAIN TOP ASSY - 4G (CB)
	E9109804EP		MAIN TOP ASSY - 4G (EP)
	E9109804FG		MAIN TOP ASSY - 4G (FG)
	E9109804GG		MAIN TOP ASSY - 4G (GG)
	E9109804LE		MAIN TOP ASSY - 4G (LE)
	E9109804MJ		MAIN TOP ASSY - 4G (MJ)
	E9109804SG		MAIN TOP ASSY - 4G (SG)
	E9109804VB		MAIN TOP ASSY - 4G (VB)
	E9109804WH		MAIN TOP (VDSC4G/4Q) XWHX
	E9109803AL		MAIN TOP ASSY - 4GQ (AL)
	E9109803BK		48 SEALED COOKTOP 4BGQ XBKX
	E9109803BT		MAIN TOP ASSY - 4GQ (BT)
	E9109803CB		MAIN TOP ASSY - 4GQ (CB)
	E9109803EP		MAIN TOP ASSY - 4GQ (EP)
	E9109803FG		MAIN TOP ASSY - 4GQ (FG)
	E9109803GG		MAIN TOP ASSY - 4GQ (GG)
	E9109803LE		MAIN TOP ASSY - 4GQ (LE)
	E9109803MJ		MAIN TOP ASSY - 4GQ (MJ)
	E9109803SG		MAIN TOP ASSY - 4GQ (SG)
	E9109803VB		MAIN TOP ASSY - 4GQ (VB)
	E9109803WH		48 SEALED COOKTOP 4BGQ XWHX
11	A20011234		BURNER BOX SUPPORT
	A20010184		48 SEALED BURNER SUPPORT
	A20011240		48 SEALED BURNER SUPT. (4GQ)
12	PB020041		SHUTOFF TUBING
13	PB010083		SINGLE THERMAL VALVE LH (OVEN)
14	A2006747		BURNER BOX SIDE RH (VDSC3074B)
15	B2007868		IC SEALED SIDE TRIM
	C9307868BR		IC SEALED SIDE TRIM XBRX
16	PA050115		UNIVERSAL 48 MANIFOLD
17	A2006748		BURNER BOX SIDE LH (VDSC3074B)
18	PA070001		PRESSURE REGULATOR (NAT.)

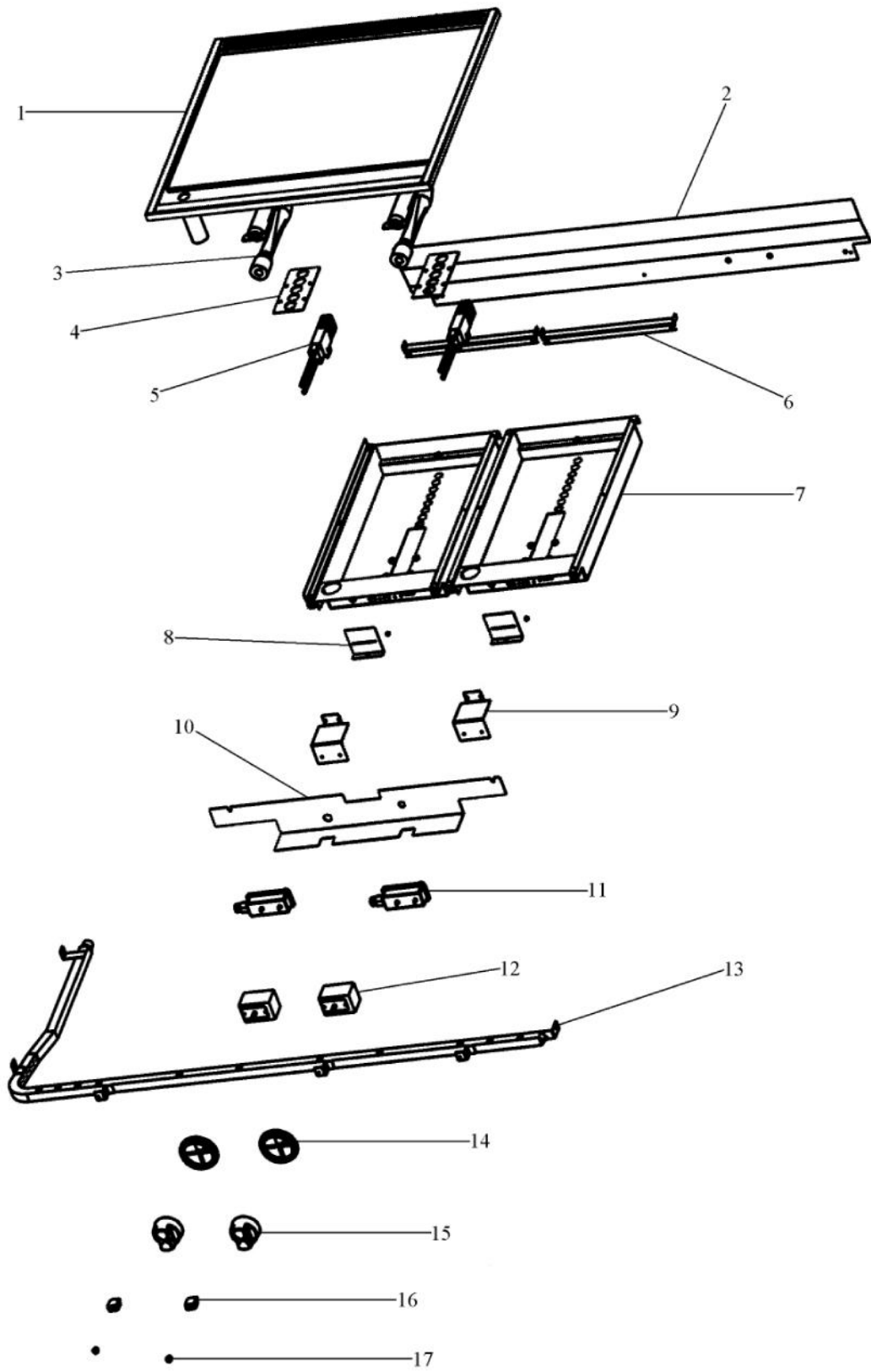
Ref #	Part Number	Qty.	Description
18	PA070001		PRESSURE REGULATOR (NAT.)
19	PB020193		16 FLEX TUBING W/CONNECTORS
20	PB020192		10 FLEX TUBING W/CONNECTORS
21	PB030002		SUB TO 003862-000 - SHUTOFF VALVE
22	PB070146		POLY FILM, (VDSC,VGSC)
23	PB010035		THERMOSTAT BAKE LH OVEN
24	PB010036		THERMOSTAT BAKE/BROIL (RH OVEN)
25	G50012679		SEALED BURNER VALVE KIT (BEFORE 02/23/05)
	PA010158		SUB TO 003517-000 - SEALED BURNER FLARE VALVE (AFTER 02/23/05)
26	PA020029		SWITCH SPACER
27	PA020015		SPARK IGNITION SWITCH (BEFORE 2/23/05)
	PA020045		IGNITOR SWITCH (AFTER 2/23/05)
28	B9202374		CTRL PAN- (VGRC485-6G)XSLK SCRX
	B9202376		CTRL PAN- (VGRC485-6Q) XSLK SCRX
	B9201286		CTRL PAN - VGRC485-4G XSLK SCRX
	B9202373		CTRL PAN- (VGRC485-4GQ)XSLK SCRX
29	PB010208		BEZEL, CHROME PLATE
	PB010209		BEZEL BRASS
30	PE050016		OVEN LIGHT SWITCH - XBKX (WES-GAR)
	PE050017		OVEN LIGHT SWITCH - XWHX (WES-GAR)
31	PE010081		CONVECTION-LABEL/PLATE (CHROME)
	PE010082		CONVECTION-LABEL/PLATE (XBRX)
32	PB010206		VGSC,VGRC,VGRT TOP BURNER KNOB(BK)
	PB010207		VGSC,VGRC,VGRT TOP BURNER KNOB(WH)
33	PB010101		THERMOSTAT BAKE KNOB N/S XBKX LH OVEN
	PB010102		THERMOSTAT BAKE KNOB N/S XWHX LH OVEN
34	PB010099		T/STAT B/B KNOB BK REPL PB010039BKX (RH OVEN)
	PB010100		THERMOSTAT BAKE/BROIL KNOB XWHX N/S (RH OVEN)
35	G3009843		SEALED LANDING LEDGE ASSY 48
36	PK000010		RUNNER, DRIP TRAY - RH (VGRT)
37	PK000009		RUNNER, DRIP TRAY - LH (VGRT)
38	G3009715		VDSC485 DRIP TRAY ASSY
39	G30010697		DRIP TRAY HANDLE ASSY 48
	G93011461PVD		DRIP TRAY HANDLE ASSY 48 PVD
40	PD040028		BUSHING(.194ID/.750OD/.750LONG)
NI	G50013873		VGIC487-6G BURNER SUPPORT SERVICE KIT
NI	G50013874		VGIC487-6Q BURNER SUPPORT SERVICE KIT
NI	G50013875		VGIC487-4GQ BURNER SUPPORT SERVICE KIT
NI	G50013876		VGIC487-4G BURNER SUPPORT SERVICE KIT
NI	G50013877		VGIC487-4Q BURNER SUPPORT SERVICE KIT



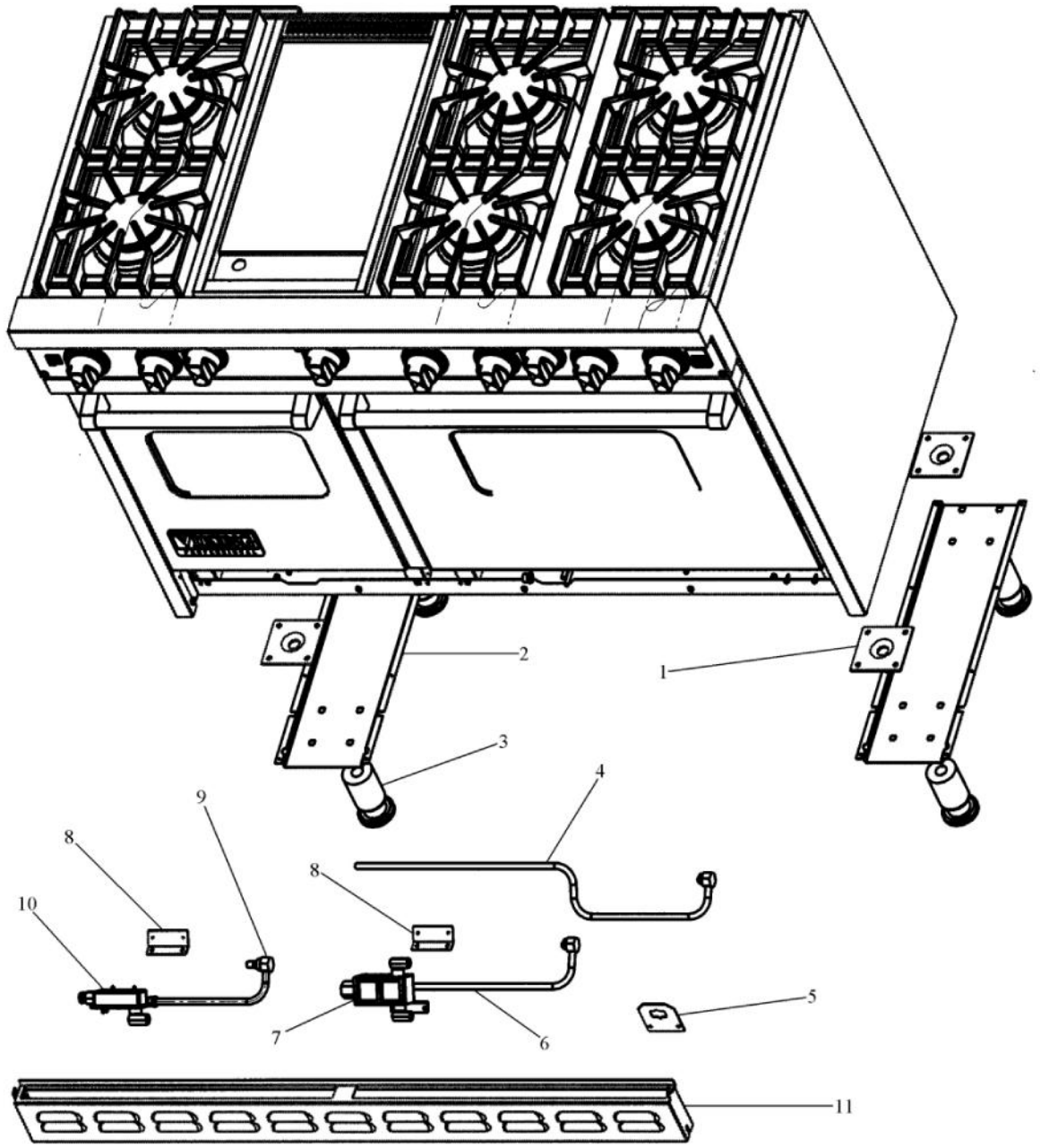
Ref #	Part Number	Qty.	Description
1	PA010039		TOP GRILL KNOXBKX (VGRC) (N/STYLE
	PA010040		TOP GRILL KNOBXWHX (VGRC) (N/STYLE
2	PB010208		BEZEL, CHROME PLATE
	PB010209		BEZEL BRASS
3	PA050115		UNIVERSAL 48 MANIFOLD
4	PA010030		GRILL VALVE-(VGRT)
5	PB020025		TUBING-GRILL (REVISED) REP PB020021
6	A2001631		GRILL BOX FRONT (VGRC)
7	A2007871		SHIELD GRATE BRACKET
8	A2001863		GRILL BTM SHIELD (VGRC605)
9	A2001633		GRILL FRONT SPARKER BRKT (VGRC)
10	PA020014		SPARK IGNITOR
11	A2007863		GRILL BOX
12	A2001132		REAR GRILL BURNER BRKT (VGRT)
13	A2001855		GRILL BACK - (VGRC605)
14	A10010162		SHIELD BRACE
15	B2009846		HEAT DEFLECTOR
16	G9109811AL		GRILL SUPPORT ASSEMBLY - AL
	G9109811		GRILL SUPT ASSY XBKX
	G9109811BT		GRILL SUPPORT ASSEMBLY - BT
	G9109811CB		GRILL SUPPORT ASSEMBLY - CB
	G9109811EP		GRILL SUPPORT ASSEMBLY - EP
	G9109811FG		GRILL SUPPORT ASSEMBLY - FG
	G9109811GG		GRILL SUPPORT ASSEMBLY - GG
	G9109811LE		GRILL SUPPORT ASSEMBLY - LE
	G9109811MJ		GRILL SUPPORT ASSEMBLY - MJ
	G9109811SG		GRILL SUPPORT ASSEMBLY - SG
	G9109811VB		GRILL SUPPORT ASSEMBLY - VB
	G9109811WH		GRILL SUPT ASSY XWHX
17	PB050077		GRILL BURNER
18	B2009866		SEALED FLAME SHIELD
19	E9109810		FLAVOR GRID
20	PA060058		GRILL GRATE - MATT XBKX RE PA060028
	PA060059		GRILL GRATE -MATT XGRX RE PA060029
21	B20010163		HEAT DEFLECTOR



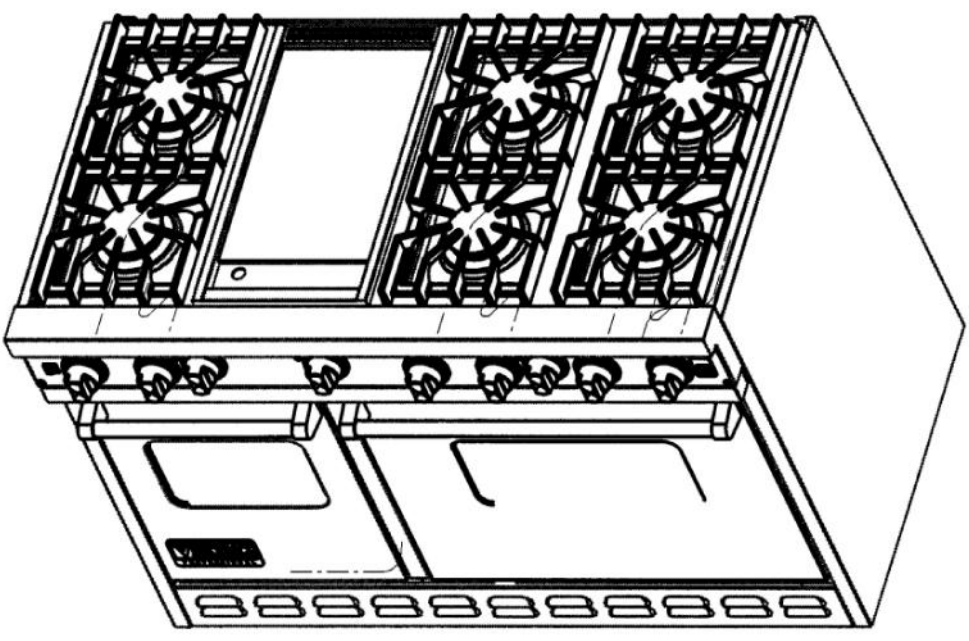
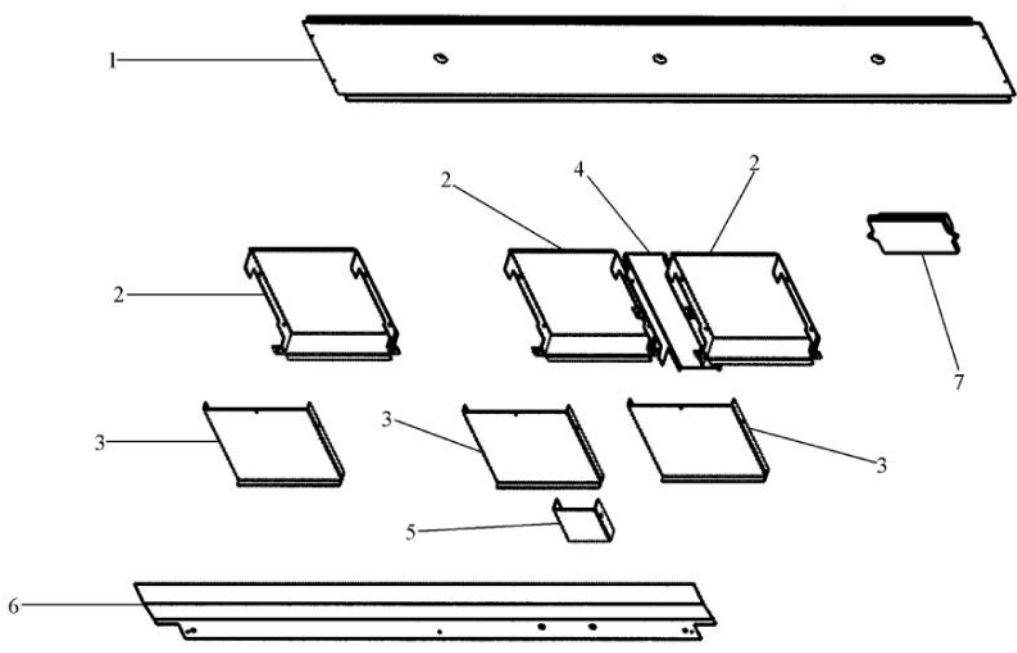
Ref #	Part Number	Qty.	Description
1	G3009156		GRIDDLE ASSEMBLY
2	A20011249		GRIDDLE FLUE COVER
3	A20010657		GRIDDLE BOX FLANGE
4	A1007861		GRIDDLE VENTURI COVER IC36
5	PB050074		SEALED GRIDDLE BURNER
6	A2009580		GRIDDLE BURNER BRACKET
7	PB040001		IGNITOR - (ALL RANGES)
8	PB010004		SINGLE SAFETY VALVE (NAT. GRIDDLE)
9	A2007867		VALVE BRACKET
10	A20010470		COMPONENT SHIELD IC487
11	PB030002		SUB TO 003862-000 - SHUTOFF VALVE (BEFORE 2/23/05)
	PB030007		SHUT OFF VALVE (AFTER 2/23/05)
12	PB010264		GRIDDLE THERMOSTAT
13	PB010208		BEZEL, CHROME PLATE
	PB010209		BEZEL BRASS
14	PB010103		GRIDDLE KNOB N/S XBKX
	PB010104		GRIDDLE KNOB N/S XWHX
NI	PB020116		TUBING - 10 FLEXIBLE 12 & 24



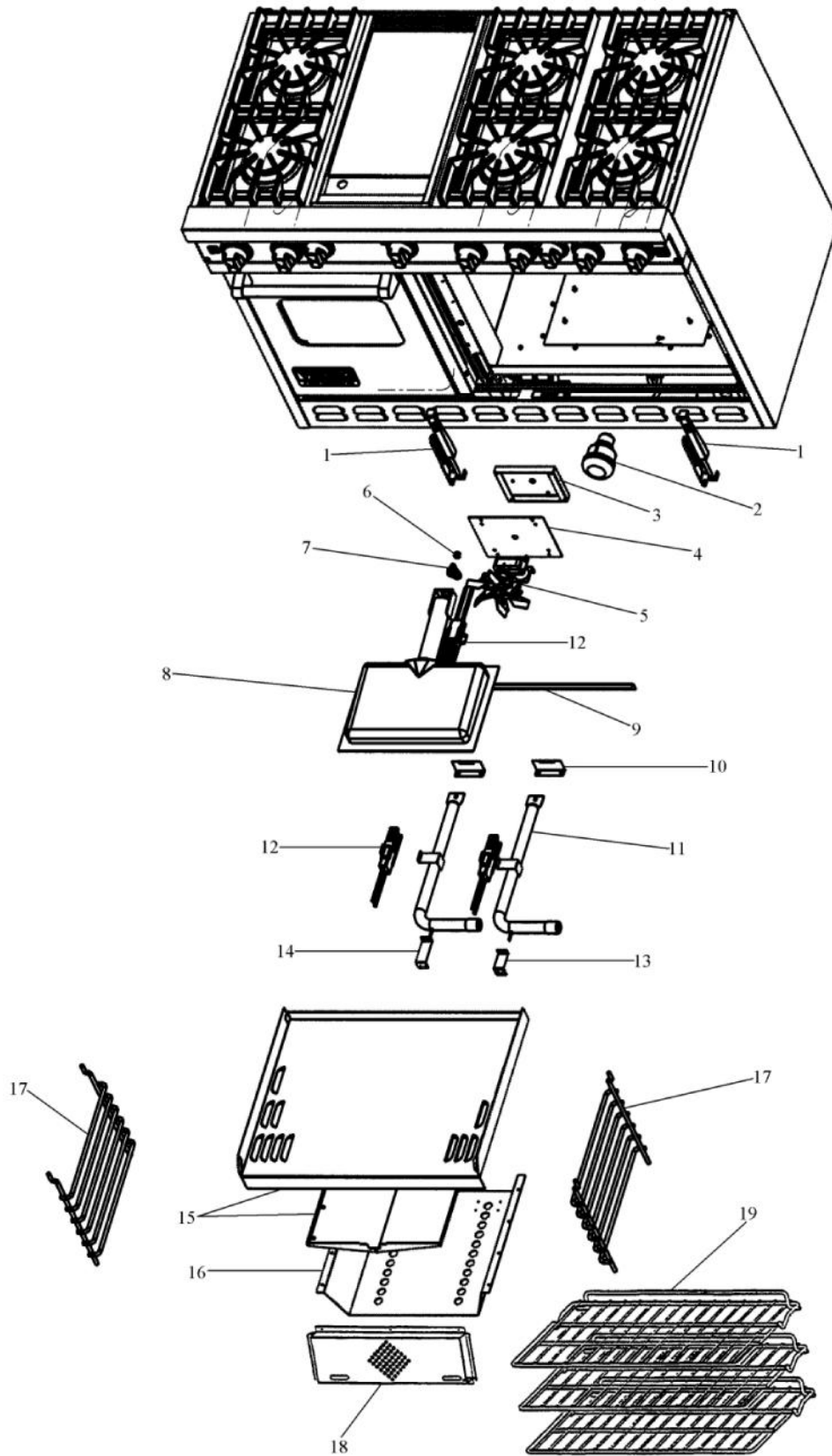
Ref #	Part Number	Qty.	Description
1	G3009847		SEALED GRIDDLE ASSEMBLY
2	A20012051		REAR SHIELD VGIC487
3	PB050074		SEALED GRIDDLE BURNER
4	A1007861		GRIDDLE VENTURI COVER IC36
5	PB040001		IGNITOR - (ALL RANGES)
6	A20011249		GRIDDLE FLUE COVER
7	A2007862		GRIDDLE BOX (VGIC3674G)
8	A2009580		GRIDDLE BURNER BRACKET
9	A2007867		VALVE BRACKET
10	A20010463		COMPONENT SHIELD
11	PB010004		SINGLE SAFETY VALVE (NAT. GRIDDLE)
12	PB010264		GRIDDLE THERMOSTAT
13	PA050115		UNIVERSAL 48 MANIFOLD
14	PB010208		BEZEL, CHROME PLATE
	PB010209		BEZEL BRASS
15	PB010103		GRIDDLE KNOB N/S XBKX
	PB010104		GRIDDLE KNOB N/S XWHX
16	PE050024		OVEN IND. LIGHT (LIGHT HOUSING)
17	PE050023		OVEN IND. LIGHT (LENS & BEZEL)



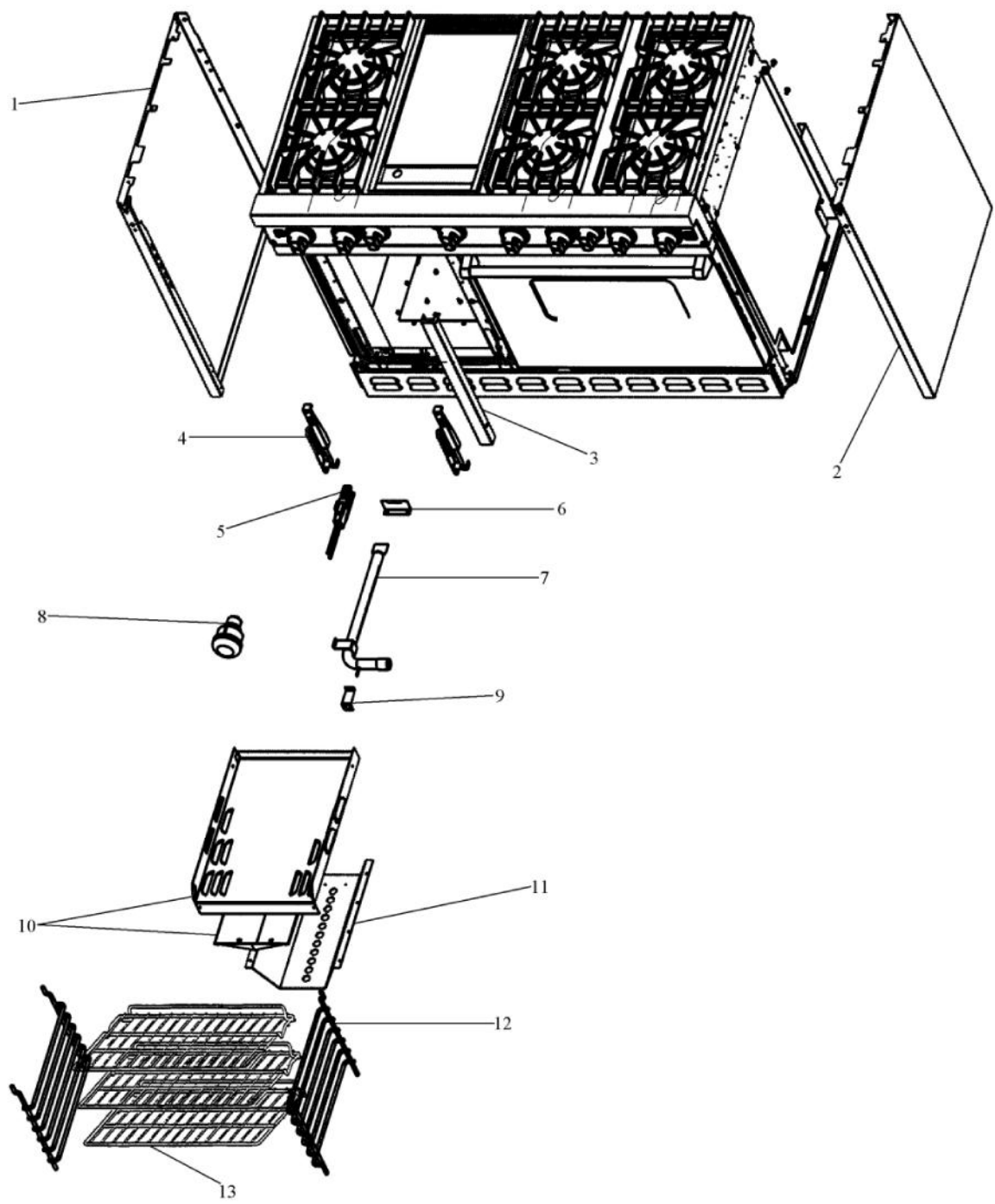
Ref #	Part Number	Qty.	Description
1	PC030007		LEG PLATE - 3/4 THREADED HOLE
2	A2001351		LEG BRACE (VGSC/VGSS) 30
3	PC030017		4 LEG ASSY
4	PB020023		BAKE BURNER TUBE RH OVEN
5	A1008487		SERVICE DISCONNECT BRACKET
6	PB020022		BAKE BURNER TUBE LH OVEN
7	PB010084		DUAL THERMAL BI-MTL GAS CTRL VALVE
8	A2001375		THERMAL VALVE BRKT (VGSC/VGSS)
9	PB020035		TUBING-VGRC48-LH BAKE BURNER
10	PB010083		SINGLE THERMAL VALVE LH (OVEN)
11	B2001241		LWR ACC. PNL - RPLCS B2001973
	C9001241AL		LWR ACC PNL - RPLCS C9001973AL
	C9001241BK		LWR ACC PNL - RPLCS C9001973BK
	C9001241BT		LWR ACC PNL - RPLCS C9001973BT
	C9001241BU		LWR ACC PNL - RPLCS C9001973BU
	C9001241CB		LWR ACC PNL - RPLCS C9001973CB
	C9001241EP		LWR ACC PNL - RPLCS C9001973EP
	C9001241FG		LWR ACC PNL - RPLCS C9001973FG
	C9001241GG		LWR ACC PNL - RPLCS C9001973GG
	C9001241LE		LWR ACC PNL - RPLCS C9001973LE
	C9001241MJ		LWR ACC PNL - RPLCS C9001973MJ
	C9001241SG		LWR ACC PNL - RPLCS C9001973SG
	C9001241VB		LWR ACC PNL - RPLCS C9001973VB
	C9001241WH		LWR ACC PNL - RPLCS C9001973WH



Ref #	Part Number	Qty.	Description
1	A2002007		REAR COVER (VGSS48)
2	A3009757		FLUE BOX BACK VGIC
3	A2009756		FLUE BOX FRONT, VGIC
4	A2009526		VGIC245 BROIL FLUE DEFLECTOR
5	A2007847		VGIC307 BROIL FLUE COVER
6	A20012051		REAR SHIELD VGIC487
7	PA020048		INVENSYS 0+6 RE-IGNITION SPARK MODULE
	PA020047		INVENSYS 0+4 RE-IGNITION SPARK MODULE
NI	003226-000		FJT VALVE - NO NUT/FERRELL

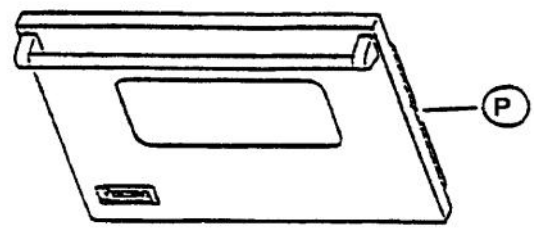
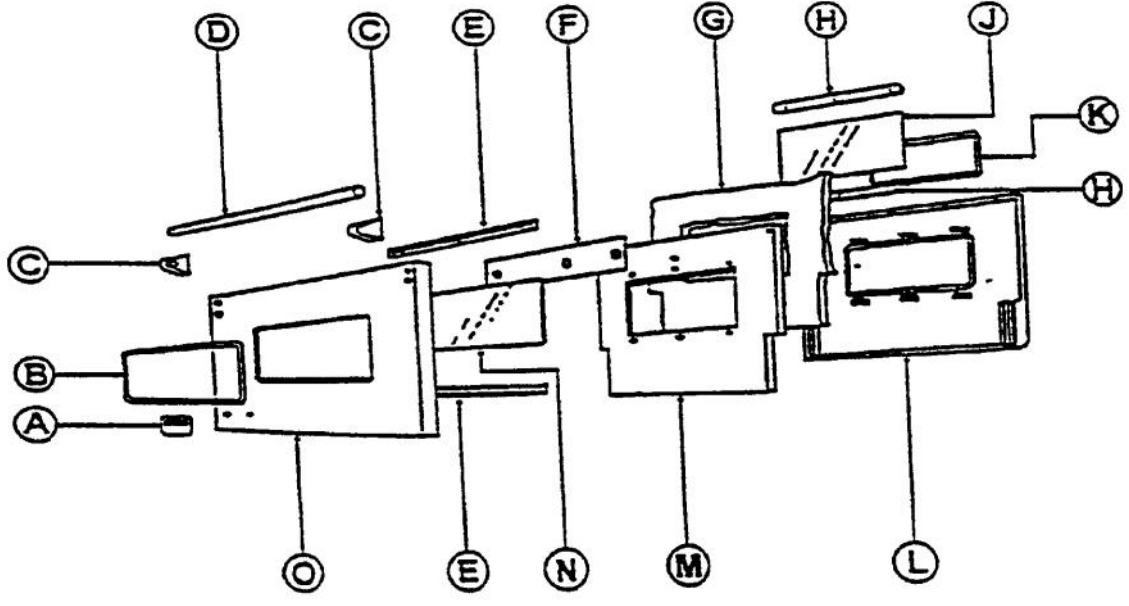


Ref #	Part Number	Qty.	Description
1	PC020007		HINGE ASSY (NO COLOR)
2	PE050009		OVEN LIGHT SOCKET - 36 BUILT-IN
3	A2002595		CONVECTION FAN BOX (VDSC)
4	A1002596		CONVECTION FAN COVER (VDSC)
5	PE050057		CONVECTION FAN (VGSC306)
6	PB040040		ORIFICE-IR BURNER (VGSC)
	PB040027		IR BUR.SPUD ORF. - NO.56 LP
7	PB040178		90 DEGREE ORIFICE FITTING (VGSC306)
8	G3001876		IR BURNER ASSY (VGSC/RC) N/S
9	A2000606		OVEN BTM PAN SUPT
10	A2002000		REAR BURNER MOUNTING BRKT
11	PB050012		OVEN BURNER REPL PB050009
12	PB040001		IGNITOR - (ALL RANGES)
13	A2001218		OVEN BURNER HOLDER RH (VGSC)
14	A2001365		OVEN BURNER HOLDER LH (VGSC)
15	G3204251		OVEN BOTTOM ASSY - RH OVEN, 48
16	A2001357		AIR PLATE (VGSC/VGSS)
17	PB060030		RACK SUPT REPL PB060010
18	G9101371		CONVECTION FAN COVER ASSY(VGSC305)
19	PB060038		RACK REPL PB060011
NI	PB070030		OVEN DR GASKET-30 & 36



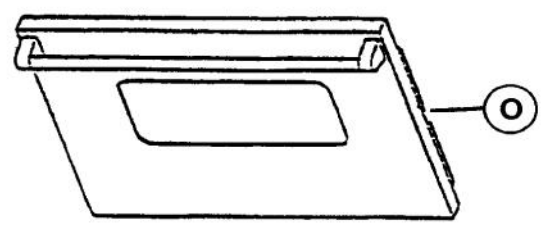
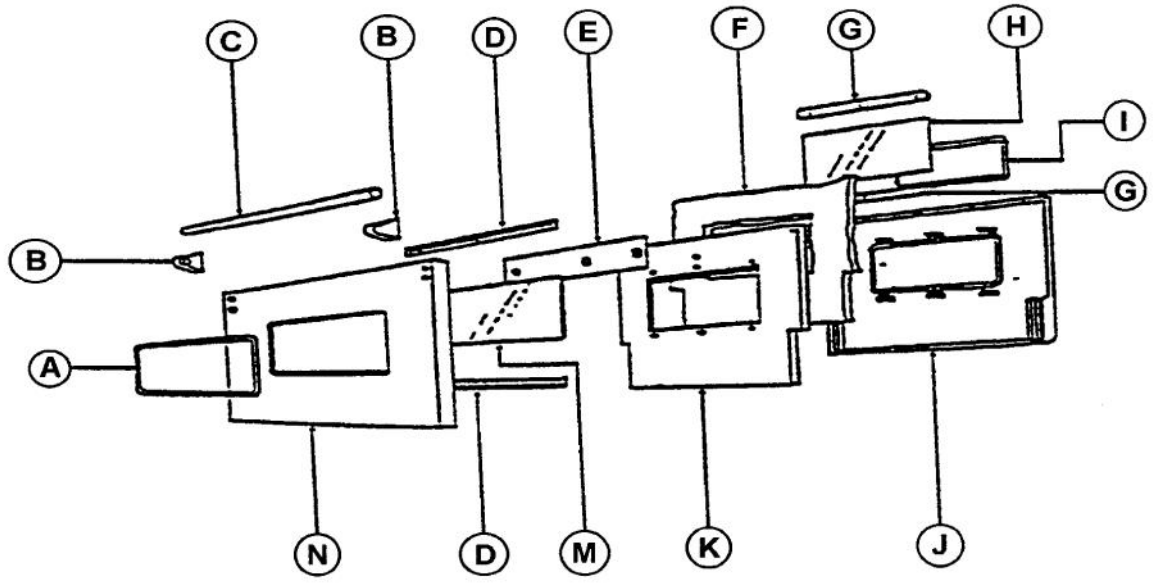
Ref #	Part Number	Qty.	Description
1	B2007870		IC SEALED LH SIDE PANEL
	C9007870AL		IC SEALED LH SIDE PANEL XALX
	C9007870BK		IC SEALED LH SIDE PANEL XBKX
	C9007870BT		IC SEALED LH SIDE PANEL XBTX
	C9007870BU		IC SEALED LH SIDE PANEL XBUX
	C9007870CB		IC SEALED LH SIDE PANEL XCBX
	C9007870EP		IC SEALED LH SIDE PANEL XEPX
	C9007870FG		IC SEALED LH SIDE PANEL XFGX
	C9007870GG		IC SEALED LH SIDE PANEL XGGX
	C9007870LE		IC SEALED LH SIDE PANEL XLEX
	C9007870MJ		IC SEALED LH SIDE PANEL XMJX
	C9007870SG		IC SEALED LH SIDE PANEL XSGX
	C9007870VB		IC SEALED LH SIDE PANEL XVBX
	C9007870WH		IC SEALED LH SIDE PANEL XWHX
2	B2007869		IC SEALED RH SIDE PANEL
	C9007869AL		IC SEALED RH SIDE PANEL XALX
	C9007869BK		IC SEALED RH SIDE PANEL XBKX
	C9007869BT		IC SEALED RH SIDE PANEL XBTX
	C9007869BU		SEALED RH SIDE PANEL XBUX
	C9007869CB		IC SEALED RH SIDE PANEL XCBX
	C9007869EP		IC SEALED RH SIDE PANEL XEPX
	C9007869FG		IC SEALED RH SIDE PANEL XFGX
	C9007869GG		IC SEALED RH SIDE PANEL XGGX
	C9007869LE		IC SEALED RH SIDE PANEL XLEX
	C9007869MJ		IC SEALED RH SIDE PANEL XMJX
	C9007869SG		IC SEALED RH SIDE PANEL XSGX
	C9007869VB		IC SEALED RH SIDE PANEL XVBX
	C9007869WH		IC SEALED RH SIDE PANEL XWHX
3	B2001974		CENTER TRIM (VGSS480) (BEFORE 06/27/05)
	C9001974AL		CENTER TRIM XALX (VGSS480) (BEFORE 06/27/05)
	C9001974BK		CENTER TRIM XBKX (VGSS480) (BEFORE 06/27/05)
	C9001974BT		CENTER TRIM XBTX (VGSS480) (BEFORE 06/27/05)
	C9001974BU		CENTER TRIM XBUX (VGIC48) (BEFORE 06/27/05)
	C9001974CB		CENTER TRIM XCBX (VGSS480) (BEFORE 06/27/05)
	C9001974EP		CENTER TRIM XEPX (VGSS480) (BEFORE 06/27/05)
	C9001974FG		CENTER TRIM XFGX (VGIC48) (BEFORE 06/27/05)
	C9001974GG		CENTER TRIM XGGX (VGIC48) (BEFORE 06/27/05)
	C9001974LE		CENTER TRIM XLE X (VGSS480) (BEFORE 06/27/05)
	C9001974MJ		CENTER TRIM XMJX (VGSS480) (BEFORE 06/27/05)
	C9001974SG		CENTER TRIM XSGX (VGSS480) (BEFORE 06/27/05)
	C9001974VB		CENTER TRIM XVBX (VGIC48) (BEFORE 06/27/05)
	C9001974WH		CENTER TRIM XWHX (VGSS480) (BEFORE 06/27/05)
	B20013824		CENTER TRIM 48 (AFTER 06/27/05)
	C90013824AL		CENTER TRIM 48 (AL) (AFTER 06/27/05)

Ref #	Part Number	Qty.	Description
	C90013824BK		(AFTER 06/27/05) CENTER TRIM 48 (BK)
	C90013824BT		(AFTER 06/27/05) CENTER TRIM 48 (BT)
	C90013824BU		(AFTER 06/27/05) CENTER TRIM 48 (BU)
	C90013824CB		(AFTER 06/27/05) CENTER TRIM 48 (CB)
	C90013824EP		(AFTER 06/27/05) CENTER TRIM 48 (EP)
	C90013824FG		(AFTER 06/27/05) CENTER TRIM 48 (FG)
	C90013824GG		(AFTER 06/27/05) CENTER TRIM 48 (GG)
	C90013824LE		(AFTER 06/27/05) CENTER TRIM 48 (LE)
	C90013824MJ		(AFTER 06/27/05) CENTER TRIM 48 (MJ)
	C90013824SG		(AFTER 06/27/05) CENTER TRIM 48 (SG)
	C90013824VB		(AFTER 06/27/05) CENTER TRIM 48 (VB)
	C90013824WH		(AFTER 06/27/05) CENTER TRIM 48 (WH)
4	PC020003		HINGE ASSY (BLUE)
5	PB040001		IGNITOR - (ALL RANGES)
6	A2002000		REAR BURNER MOUNTING BRKT
7	PB050014		OVEN BURNER LH-
8	PE050009		OVEN LIGHT SOCKET - 36 BUILT-IN
9	A2001218		OVEN BURNER HOLDER RH (VGSC)
10	G3204255		OVEN BOTTOM ASSY - LH OVEN, 48
11	A2001955		AIR PLATE LH (VGSS48)
12	PB060030		RACK SUPT REPL PB060010
13	PB060040		OVEN RACK (VGIS48-LH) REPL PB060016
NI	PB070035		OVEN DR GASKET LH (VGSS48)



Ref #	Part Number	Qty.	Description
A	PE010030		LOGO, 6, PRO, BK
	PE010031		LOGO 6 (VGRC) XBK/WHX
	PE010068		LOGO, 6, PRO, BK/BR
	PE010076		LOGO 6 (VGRC) XBR/WHX
NI	PD030006		CAPPED WASHER PAL NUT
B	PE060011		J-MOLD - 1 RADIUS LH VGRC48
	PE060021		J-MOLD (VGRC48 LH DOOR) XBRX
C	PE030001		BRACKET, DOOR, HANDLE
	PE030001PVD		END CAP DOOR HANDLE XBR
NI	PD010019		BLT-1/4-20X3/8HEX WASHER SERATED
D	PE030008		DOOR HANDLE - LH 48VGRC
	PE030014PVD		DOOR HANDLE - LH - (48) PVD
E	A2001622		OUTER GLASS RETAINER LH (VGRC48)
F	A1001513		DOOR HEAT BAFFLE LH (VGRC48)
G	PB070034		INSULATION-TRS-10 1 X 20 X 3'
H	A2001621		INNER GLASS RETAINER LH (VGRC48)
J	PE060012		GLASS-HIGH TEMPERATURE LH VGRC48
K	PB070014		DOOR GLASS SEAL STRIP - WINDOW DRS.
L	G9103409		INSIDE DOOR LINER (VGIS48LH)
M	A2001961		DR. INSUL. RETAINER LH W/W (VGSS48)
N	PE060013		GLASS-TEMPERED, SCREENED LH VGRC48
O	B2009175		OUTSIDE DOOR PANEL 48 LH SS
	C9009176AL		OUTSIDE DOOR PANEL 48 LH XALX
	C9009176BK		OUTSIDE DOOR PANEL 48 LH XBKX
	C9009176BT		OUTSIDE DOOR PANEL 48 LH XBTX
	C9009176BU		OUTSIDE DOOR PANEL 48 LH XBUX
	C9009176CB		OUTSIDE DOOR PANEL 48 LH XCBX
	C9009176EP		OUTSIDE DOOR PANEL 48 LH XEPX
	C9009176FG		OUTSIDE DOOR PANEL 48 LH XFGX
	C9009176GG		OUTSIDE DOOR PANEL 48 LH XGGX
	C9009176LE		OUTSIDE DOOR PANEL 48 LH XLEX
	C9009176MJ		OUTSIDE DOOR PANEL 48 LH XMJX
	C9009176SG		OUTSIDE DOOR PANEL 48 LH XSGX
	C9009176VB		OUTSIDE DOOR PANEL 48 LH XVBX
	C9009176WH		OUTSIDE DOOR PANEL 48 LH XWHX
P	G3209186AL		DOOR ASSY 48 LH XALX
	G3209186ALBR		DOOR ASSY 48 LH XALBRX
	G3209186BK		DOOR ASSY 48 LH XBKX
	G3209186BKBR		DOOR ASSY 48 LH XBKBRX
	G3209186BT		DOOR ASSY 48 LH XBTX
	G3209186BTBR		DOOR ASSY 48 LH XBTBRX
	G3209186BU		DOOR ASSY 48 LH XBUX
	G3209186BUBR		DOOR ASSY 48 LH XBUBRX
	G3209186CB		DOOR ASSY 48 LH XCBX
	G3209186CBBR		DOOR ASSY 48 LH XCBBRX
	G3209186EP		DOOR ASSY 48 LH XEPX
	G3209186EPBR		DOOR ASSY 48 LH XEPBRX
	G3209186FG		DOOR ASSY 48 LH XFGX
	G3209186FGBR		DOOR ASSY 48 LH XFGBRX
	G3209186GG		DOOR ASSY 48 LH XGGX
	G3209186GGBR		DOOR ASSY 48 LH XGGBRX
	G3209186LE		DOOR ASSY 48 LH XLEX
	G3209186LEBR		DOOR ASSY 48 LH XLEBRX
	G3209186MJ		DOOR ASSY 48 LH XMJX
	G3209186MJBR		DOOR ASSY 48 LH XMJBRX
	G3209186SG		DOOR ASSY 48 LH XSGX
	G3209186SGBR		DOOR ASSY 48 LH XSGBRX
	G3209185SS		DOOR ASSY 48 LH XSSX
	G3209185SSBR		DOOR ASSY 48 LH XSSBRX
	G3209186VB		DOOR ASSY 48 LH XVBX

Ref #	Part Number	Qty.	Description
	G3209186VB		DOOR ASSY 48 LH XVBX
	G3209186VBBR		DOOR ASSY 48 LH XVBBRX
	G3209186WH		DOOR ASSY 48 LH XWHX
	G3209186WHBR		DOOR ASSY 48 LH XWHBRX
NI	PD020032		SRW-8(A)X3/8PH.WFR HD 7/16DIAXNICL



Ref #	Part Number	Qty.	Description
A	PE060007		J-MOLD (1 RADIUS)
	PE060020		J-MOLD (VGSO OVN DOOR) XBRX
NI	PD030006		CAPPED WASHER PAL NUT
NI	PD010019		BLT-1/4-20X3/8HEX WASHER SERATED
B	PE030001		BRACKET, DOOR, HANDLE
	PE030001PVD		END CAP DOOR HANDLE XBR
C	PE030005		DOOR HANDLE - VGSC30/RC60/RC48RH
	PE030012PVD		DOOR HANDLE - RH - (30/48) PVD
D	A2001447		OUTER DOOR GLASS RETAINER
E	A1001381		DOOR HEAT BAFFLE (VGSC/VGSS)
F	PB070034		INSULATION-TRS-10 1 X 20 X 3'
G	A2001480		INNER DOOR GLASS RETAINER
H	PE060008		GLASS REPL PE060009
I	PB070014		DOOR GLASS SEAL STRIP - WINDOW DRS.
J	H9101928		OVEN DR LINER ASSY (30)W/WD (MC)
K	A2001718		DOOR INSUL RETAINER (VGSC/SS) W/W
M	PE060018		OVEN GLASS-TEMPERED,SCREENEDXBKX
N	B2009173		OUTSIDE DOOR PANEL 48 RH XSSX
	C9009174AL		OUTSIDE DOOR PANEL 48 RH XALX
	C9009174BK		OUTSIDE DOOR PANEL 48 RH XBKX
	C9009174BT		OUTSIDE DOOR PANEL 48 RH XBTX
	C9009174BU		OUTSIDE DOOR PANEL 48 RH XBUX
	C9009174CB		OUTSIDE DOOR PANEL 48 RH XCBX
	C9009174EP		OUTSIDE DOOR PANEL 48 RH XEPX
	C9009174FG		OUTSIDE DOOR PANEL 48 RH XFGX
	C9009174GG		OUTSIDE DOOR PANEL 48 RH XGGX
	C9009174LE		OUTSIDE DOOR PANEL 48 RH XLEX
	C9009174MJ		OUTSIDE DOOR PANEL 48 RH XMJX
	C9009174SG		OUTSIDE DOOR PANEL 48 RH XSGX
	C9009174VB		OUTSIDE DOOR PANEL 48 RH XVBX
	C9009174WH		OUTSIDE DOOR PANEL 48 RH XWHX
O	G3209184AL		DOOR ASSY 48 RH XALX
	G3209184ALBR		DOOR ASSY 48 RH XALBRX
	G3209184BK		DOOR ASSY 48 RH XBKX
	G3209184BKBR		DOOR ASSY 48 RH XBKBRX
	G3209184BT		DOOR ASSY 48 RH XBTX
	G3209184BTBR		DOOR ASSY 48 RH XBTBRX
	G3209184BU		DOOR ASSY 48 RH XBUX
	G3209184BUBR		DOOR ASSY 48 RH XBUBRX
	G3209184CB		DOOR ASSY 48 RH XCBX
	G3209184CBBR		DOOR ASSY 48 RH XCBBRX
	G3209184EP		DOOR ASSY 48 RH XEPX
	G3209184EPBR		DOOR ASSY 48 RH XEPBRX
	G3209184FG		DOOR ASSY 48 RH XFGX
	G3209184FGBR		DOOR ASSY 48 RH XFGBRX
	G3209184GG		DOOR ASSY 48 RH XGGX
	G3209184GGBR		DOOR ASSY 48 RH XGGBRX
	G3209184LE		DOOR ASSY 48 RH XLEX
	G3209184LEBR		DOOR ASSY 48 RH XLEBRX
	G3209184MJ		DOOR ASSY 48 RH XMJX
	G3209184MJBR		DOOR ASSY 48 RH XMJBRX
	G3209184SG		DOOR ASSY 48 RH XSGX
	G3209184SGBR		DOOR ASSY 48 RH XSGBRX
	G3209183SS		DOOR ASSY 48 RH XSSX
	G3209183SSBR		DOOR ASSY 48 RH XSSBRX
	G3209184VB		DOOR ASSY 48 RH XVBX
	G3209184VBBR		DOOR ASSY 48 RH XVBBRX
	G3209184WH		DOOR ASSY 48 RH XWHX
	G3209184WHBR		DOOR ASSY 48 RH XWHBRX
NI	PD020032		SRW-8(A)X3/8PH.WFR HD 7/16DIAXNICL

Ref #	Part Number	Qty.	Description
NI	PD020032		SRW-8(A)X3/8PH.WFR HD 7/16DIAXNICL