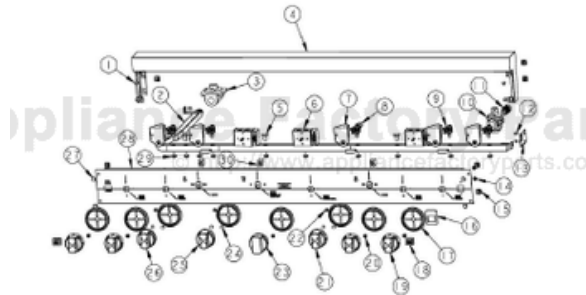


This Owner's Manual is provided and hosted by [Appliance Factory Parts](#).



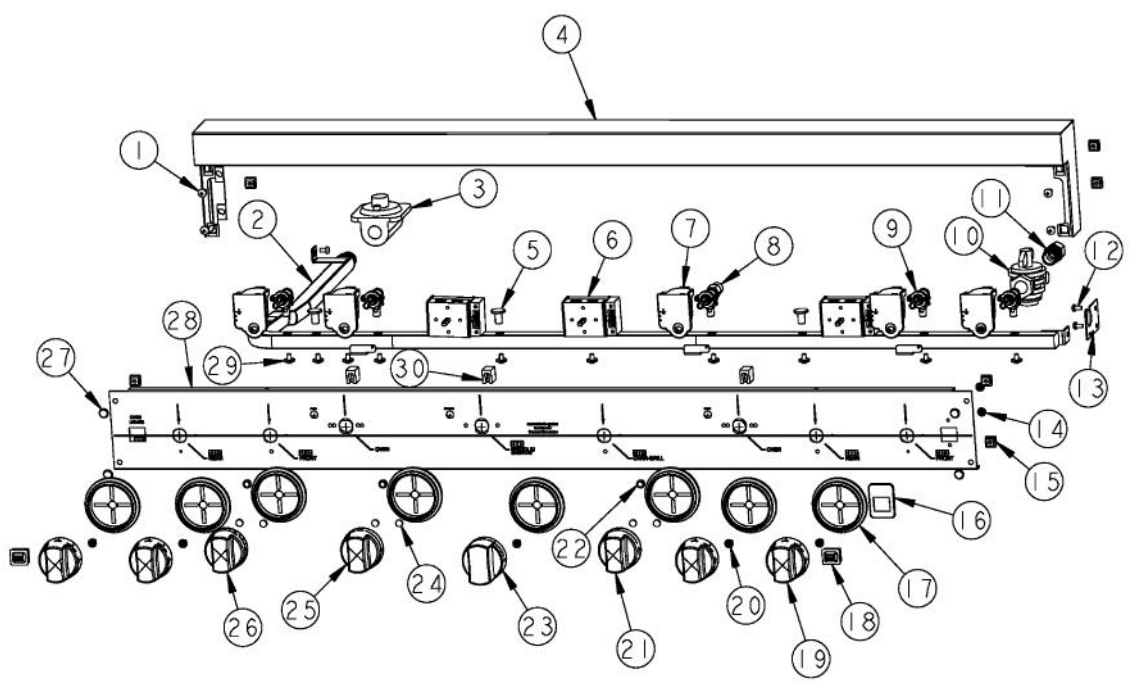
VIKING VGIC488-4GQ Owner's Manual

[Shop genuine replacement parts for VIKING VGIC488-4GQ](#)

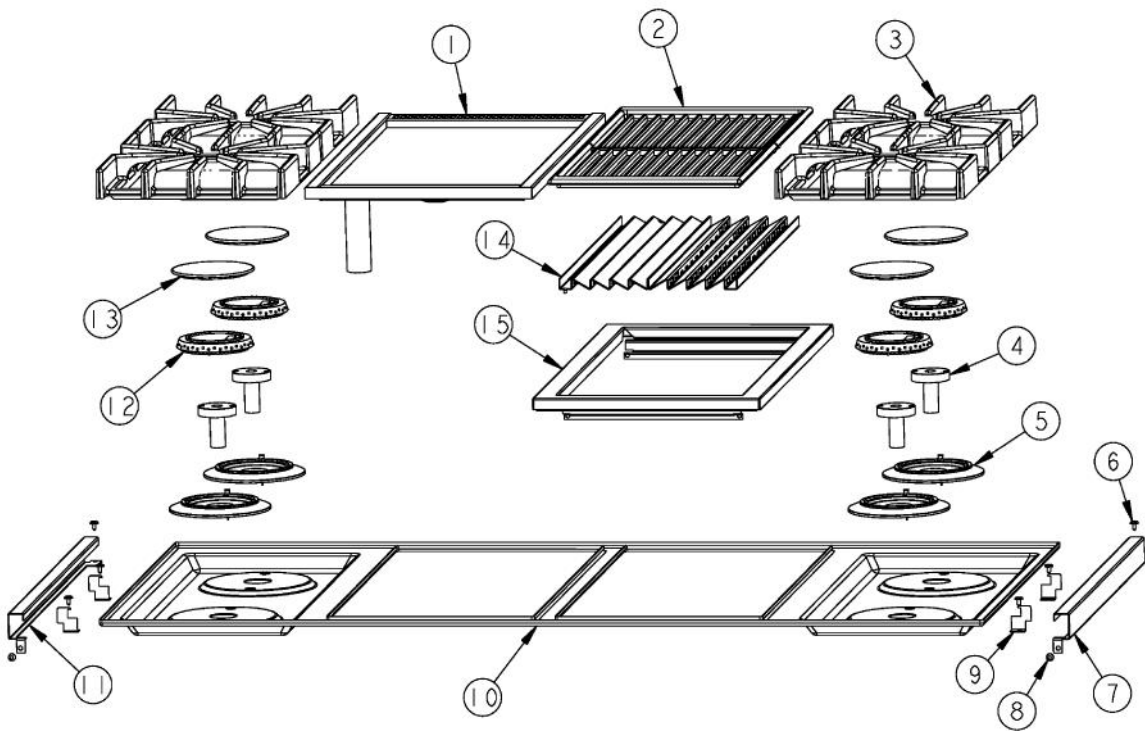


[Find Your VIKING Range Hoods Parts - Select From 411 Models](#)

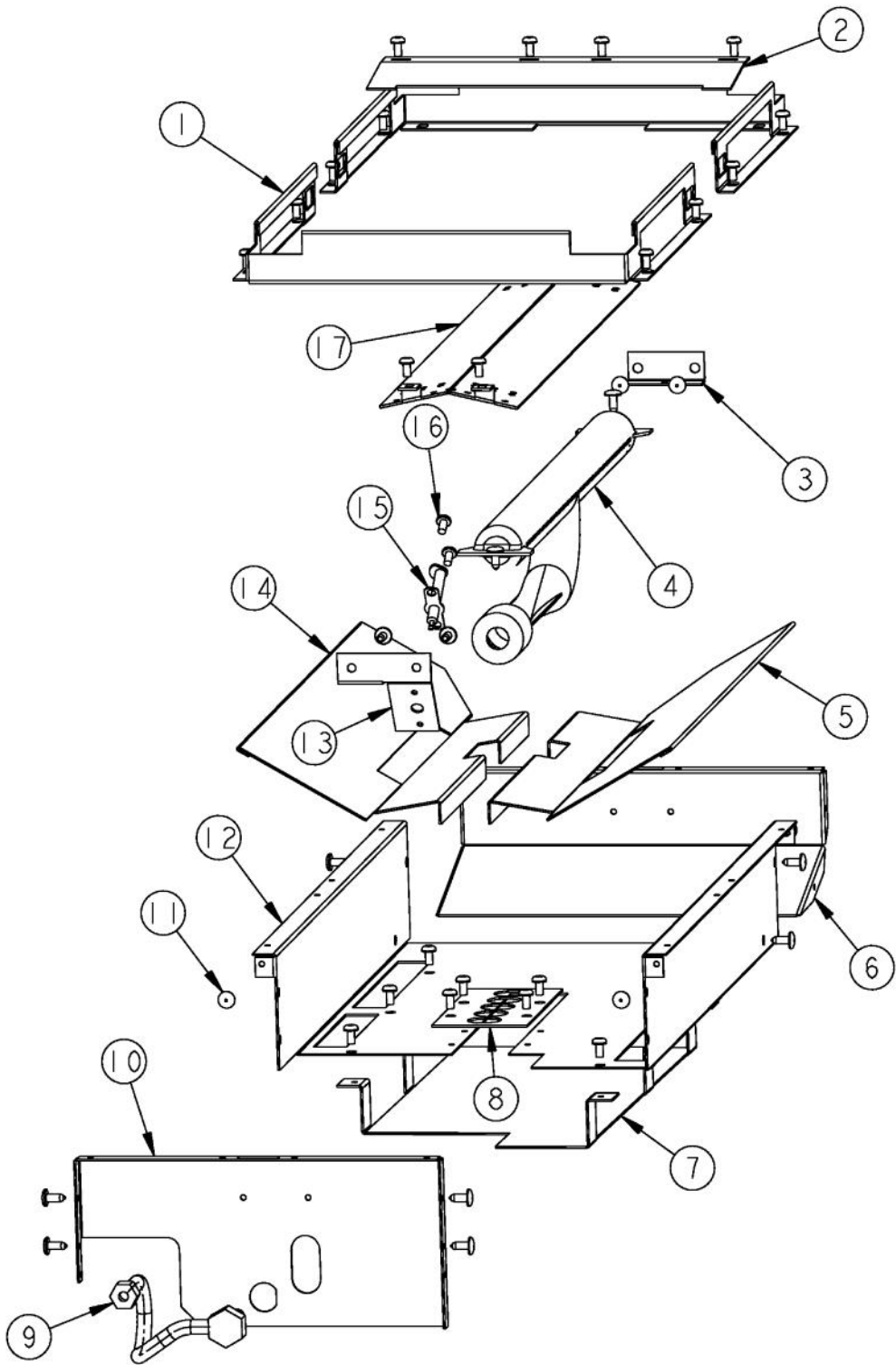
----- Manual continues below -----



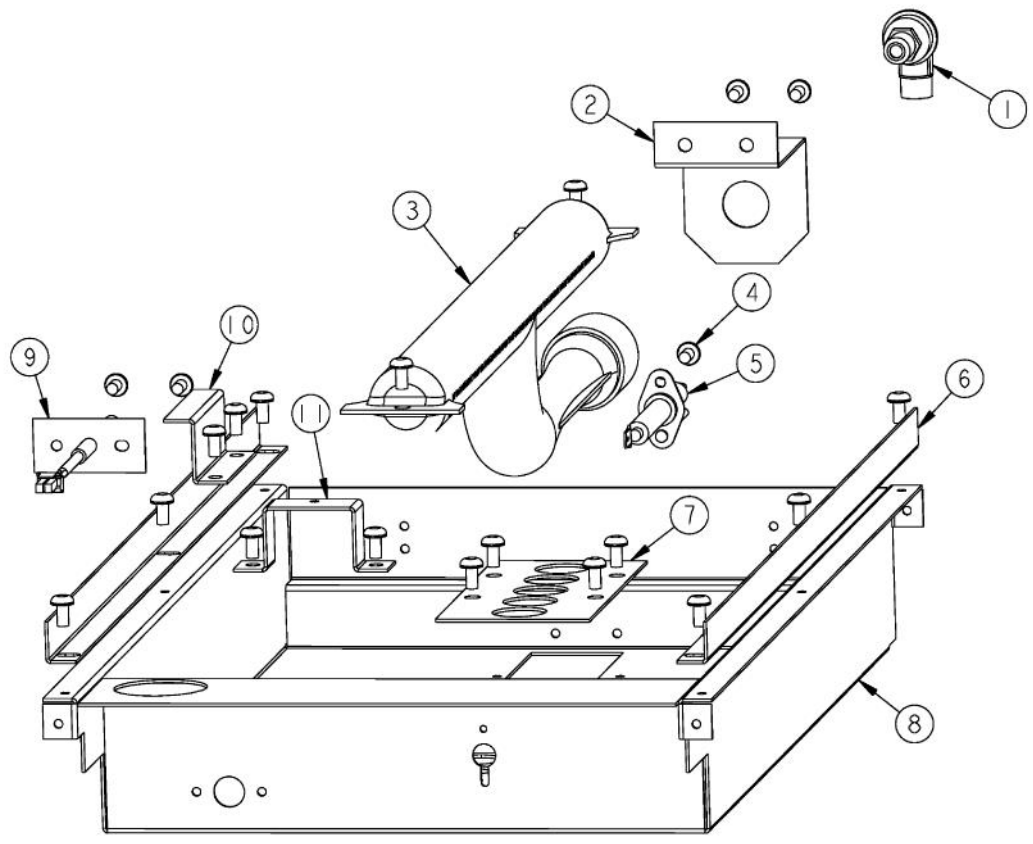
Ref #	Part Number	Qty.	Description
1	PD010003		10-24 X 1/2 PH.TR.HD.SERD.M.S.
2	000930-000		48 MANIFOLD
3	PA070003		PRESSURE REGULATOR (NAT.)
4	G3009843		SEALED LANDING LEDGE ASSY 48
5	002884-000		MANIFOLD PLUG
6	000336-000		ELECTRONIC THERMOSTAT - 2 POS.
7	PA020058		IRIS SINGLE SPARK MODULE
8	PA010185		BURNER VALVE
9	PA010158		SUB TO 003517-000 - SEALED BURNER FLARE VALVE
10	PB030006		SHUT-OFF VALVE (VGSO166)
11	000845-000		1/2 COMP TO 1/2 MALE NPT ADAPTER
12	PD020004		10X3/8PH.HD.TYPE 25 REPL PD040125
13	A1001138		MANIFOLD BRKT
14	PD030006		CAPPED WASHER PAL NUT
15	PD030005		SELF RETAINING NUT
16	PE010081		CONVECTION-LABEL/PLATE (CHROME)
16	PE010082		CONVECTION-LABEL/PLATE (XBRX)
17	PB010208		BEZEL, CHROME PLATE
17	PB010209		BEZEL BRASS
18	PE050016		OVEN LIGHT SWITCH - XBKX (WES-GAR)
18	PE050017		OVEN LIGHT SWITCH - XWHX (WES-GAR)
19	PB010206		VGSC,VGRC,VGRT TOP BURNER KNOB(BK)
19	PB010207		VGSC,VGRC,VGRT TOP BURNER KNOB(WH)
20	PD020046		NO.8 X 1/2 SCREWS
21	000447-000		THERMOSTAT KNOB SELF-CLEAN (BK)
21	000447-006		OVEN KNOB WITH BROIL(WH)
22	PE050023		OVEN IND. LIGHT (LENS & BEZEL)
23	PA010122		VGRC/IC/RT GRILL KNOB (BK)
23	PA010123		VGRC/IC/RT GRILL KNOB (WH)
24	PD020044		NO.8-32 X 1/4 PH. TR. HD. M.S.
25	000448-000		GRIDDLE KNOB XBKX
25	000448-006		GRIDDLE KNOB (WH)
26	000381-000		OVEN KNOB W/O BROIL
26	000381-006		OVEN KNOB W/O BROIL (WH)
27	PD020033		SRW-NO.10-24X1/2T(23)PH.WFR HD (NKL)
28	B9202373		CTRL PAN- (VGRC485-4GQ)XSLK SCRX
29	PD010012		VALVE BOLT 1/4-20 UNC-2B 5/16 M.S.
30	PE050024		OVEN IND. LIGHT (LIGHT HOUSING)



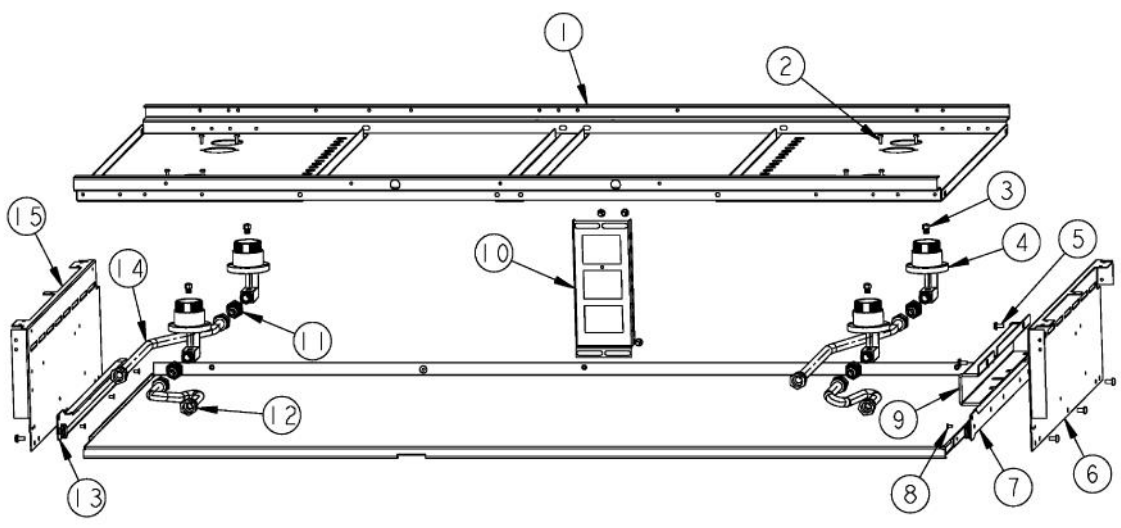
Ref #	Part Number	Qty.	Description
1	003208-000		12 SEALED GRIDDLE FRAME ASSY
2	PA060058		GRILL GRATE - MATT XBKX RE PA060028
3	PA060054		SEALED GRATE XBKX
4	PA010100		VENTURI D (VDSC3074B) (BEFORE 12/17/07)
5	PB050081		BURNER BASE ASSEMBLY (INCLUDES IGNITER) - BEFORE 12/18/07
NI	003322-040		SEALED BURNER BASE, TURNED FINISH (INCLUDES IGNITER) - AFTER 12/18/07
6	PD020032		SRW-8(A)X3/8PH.WFR HD 7/16DIAXNICL
7	B20012923		SEALED SIDE TRIM RH-VGSC
7	C93012923BR		SEALED SIDE TRIM RH XBRX - VGSC
8	PD020004		10X3/8PH.HD.TYPE 25 REPL PD040125
9	A2007858		SIDE TRIM BRKT
10	E9109803BK		48 SEALED COOKTOP 4BGQ XBKX
10	E9109803WH		48 SEALED COOKTOP 4BGQ XWHX
11	B20012924		SEALED SIDE TRIM LH-VGSC
11	C93012924BR		SEALED SIDE TRIM LH XBRX - VGSC
12	PB050063		BURNER HEAD (BEFORE 12/18/07)
NI	001386-000		BURNER HEAD (AFTER 12/18/07)
13	PA080083		D BURNER CAP XMATTE BLACKX
14	E9101130BK		GRILL SMOKE GENERATOR
15	G9109811BK		GRILL GRATE SUPPORT - BK
15	G9109811WH		GRILL SUPT ASSY XWHX
NI	003606-000		NO.6-32 SOCKET HEAD SCREW



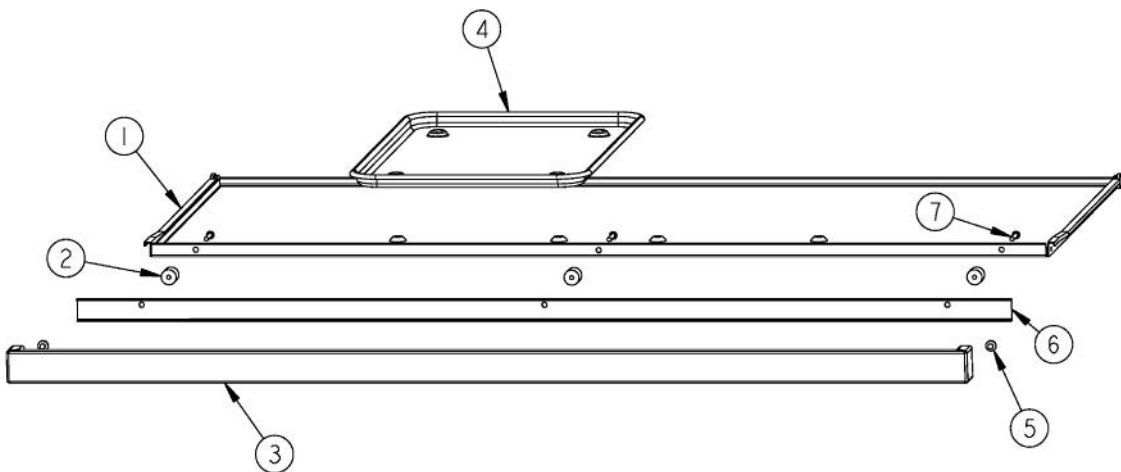
Ref #	Part Number	Qty.	Description
1	A2007871		SHIELD GRATE BRACKET
2	A20010162		SHIELD BRACE
3	A2001132		REAR GRILL BURNER BRKT (VGRT)
4	PB050077		GRILL BURNER
4	000641-000		GRILL BURNER - LP
5	B20010163		HEAT DEFLECTOR
6	A2001855		GRILL BACK - (VGRC605)
7	A2001863		GRILL BTM SHIELD (VGRC605)
8	A1007861		GRIDDLE VENTURI COVER IC36
9	PB020025		TUBING-GRILL (REVISED) REP PB020021
9	000636-000		GRILL TUBING - LP
10	A2001631		GRILL BOX FRONT (VGRC)
11	PD020002		10 X 1/2 PH.TR.HD.SMS.
12	A2007863		GRILL BOX
13	A2001633		GRILL FRONT SPARKER BRKT (VGRC)
14	B2009846		HEAT DEFLECTOR
15	PA020028		SPARK IGNITER
16	PD020004		10X3/8PH.HD.TYPE 25 REPL PD040125
17	G30012657		FLAME SHIELD ASSEMBLY



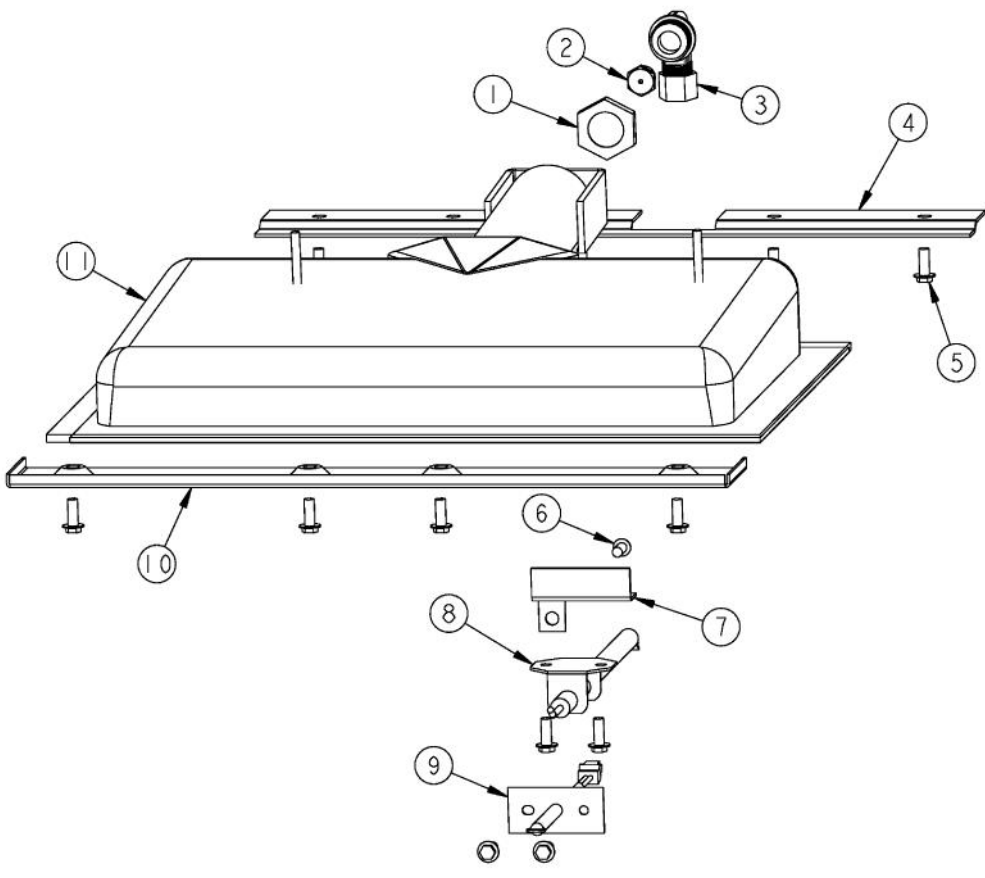
Ref #	Part Number	Qty.	Description
1	PB040190		90 DEGREE ORIFICE FITTING NO.50 NAT
1	002513-000		90 DEGREE ORIFICE FITTING NO.57 LP
2	000958-000		GRIDDLE ELBOW HOLDER
3	PB050074		SEALED GRIDDLE BURNER
4	PD020004		10X3/8PH.HD.TYPE 25 REPL PD040125
5	PB040288		SMOKER BURNER IGNITER
6	A20010657		GRIDDLE BOX FLANGE
7	A1007861		GRIDDLE VENTURI COVER IC36
8	000972-000		GRIDDLE BOX
9	PE050206		RTD THERMOSTAT PROBE
10	000971-000		RTD GRIDDLE SHIELD
11	000970-000		GRIDDLE MTG BRKT



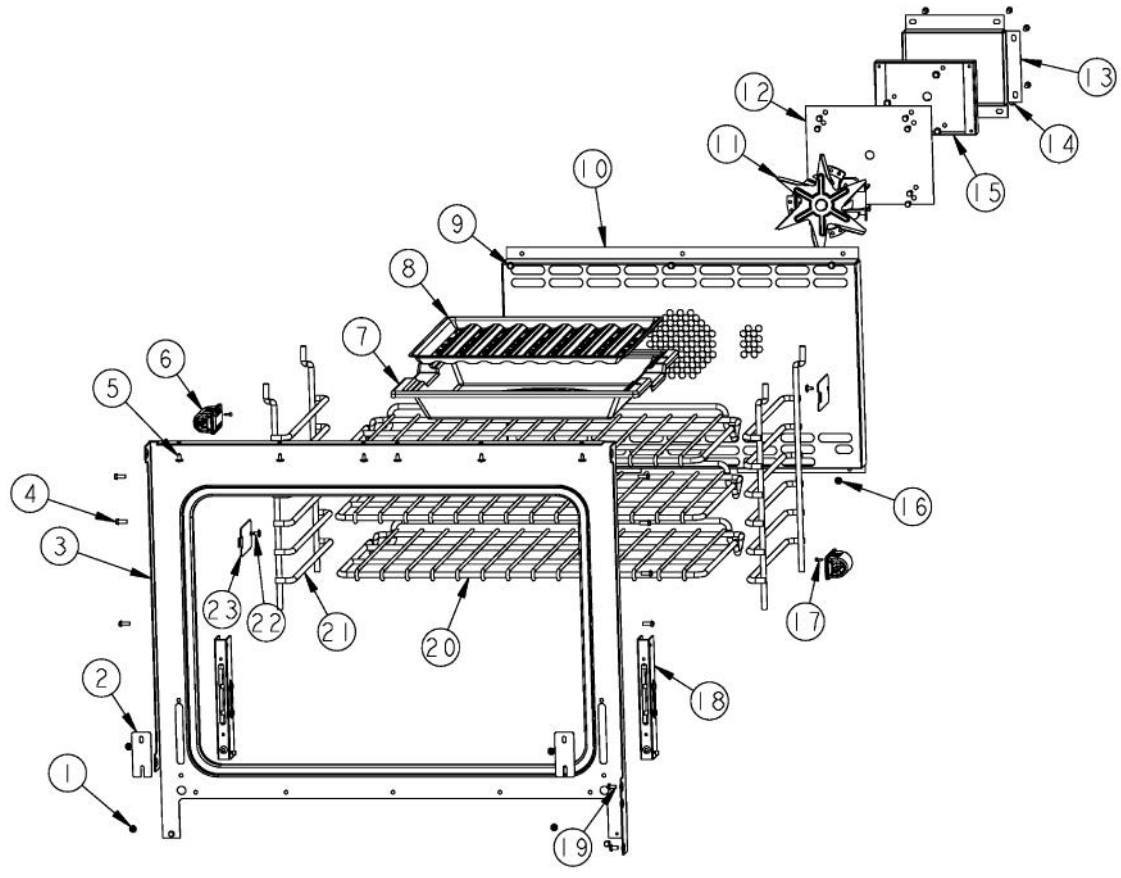
Ref #	Part Number	Qty.	Description
1	A20010184		48 SEALED BURNER SUPPORT
2	PD020076		6-32 X 3/8 PHILL PAN MS
3	PB040194		SEALED RANGE ORIFICE (NAT) (BEFORE 12/18/07)
NI	001396-040		15K NG ORIFICE (AFTER 12/18/07)
NI	PB040217		L.P. ORIFICE (BEFORE 12/18/07)
NI	001396-044		13.5K LP ORIFICE (AFTER 12/18/07)
4	PA080075		BODY BURNER D (VDSC3074BSS) (BEFORE 12/18/07)
NI	001394-042		15000 BTU NAT JETHOLDER (AFTER 12/18/07)
NI	001394-043		13500 BTU LP JETHOLDER (AFTER 12/18/07)
5	PD020004		10X3/8PH.HD.TYPE 25 REPL PD040125
6	002888-000		BURNER BOX SIDE-RH
7	PK000008		DRIP TRAY GUIDE - RH
8	PC040010		POP RIVET
9	A2000210		WIRE CHANNEL
10	A20013319		SUPPORT BRACKET
11	PA050086		5/8 MALE FLARE FITTING
12	PB020192		10 FLEX TUBING W/CONNECTORS
13	PK000007		DRIP TRAY GUIDE - LH (VGRT)
14	PB020193		16 FLEX TUBING W/CONNECTORS
15	002889-000		BURNER BOX SIDE-LH



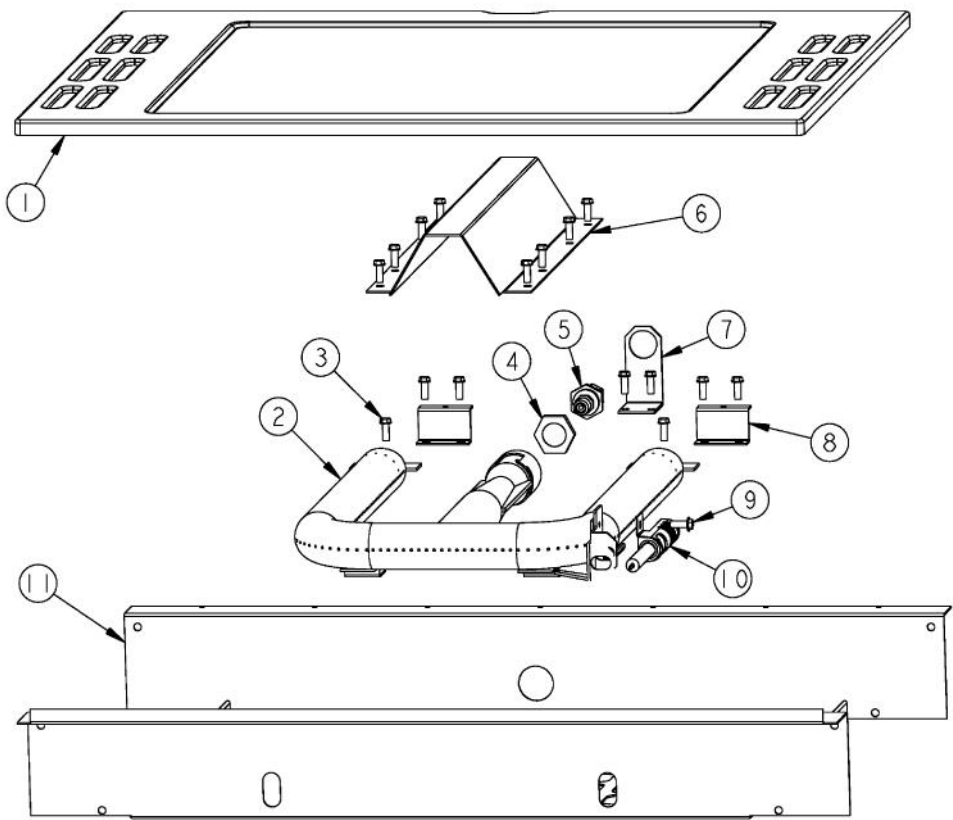
Ref #	Part Number	Qty.	Description
1	G30013336		48 DRIP TRAY ASSY. 6Q &4GQ
2	PD040028		BUSHING(.194ID/.750OD/.750LONG)
3	G30010697		DRIP TRAY HANDLE ASSY 48
3	G93011461PVD		DRIP TRAY HANDLE ASSY 48 PVD
4	PB080061		GREASE PAN
5	PD040004		GROMMET BUMPER
6	A20010693		DRIP TRAY HANDLE BACK 48
7	PD020079		NO.10 X 1 1/4 PH. PAN HD. T(A) NYLOK



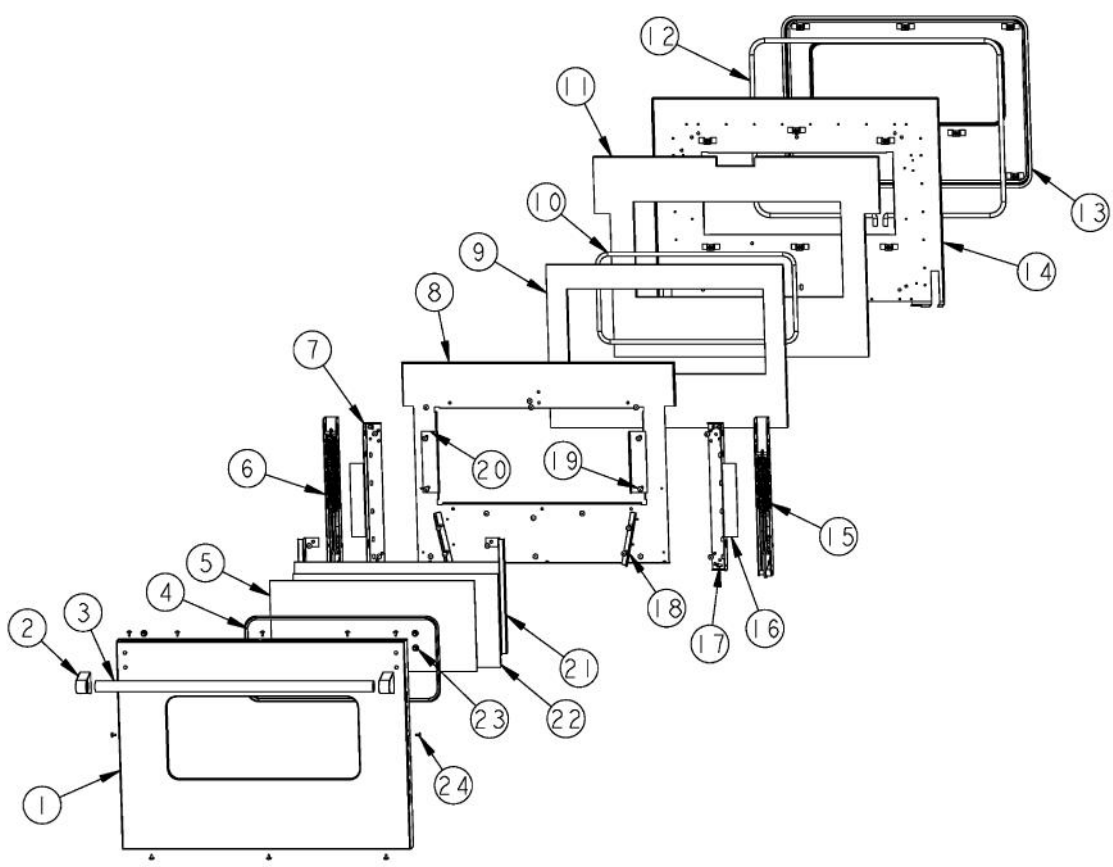
Ref #	Part Number	Qty.	Description
1	PD030018		PALNUT - 3/4-16
2	PB040040		ORIFICE-IR BURNER (VGSC)
2	PB040027		IR BUR.SPUD ORF. - NO.56 LP
3	PB040178		90 DEGREE ORIFICE FITTING (VGSC306)
4	B2005589		REAR BROILER BRACKET
5	PD020048		NO.10 X 1/2 TEK 410 SS SCREW
6	PD020060		10 X 1/2 (5/16)HEX WSHR HD.(T)A
7	001348-000		BROIL INSULATION RETAINER
8	PB040171		BROIL IGNITION ELECTRODE
9	PE050206		RTD THERMOSTAT PROBE
10	B2001448		IR BROIL SUPT (FRONT)
11	G3001876		IR BURNER ASSY (VGSC/RC) N/S



Ref #	Part Number	Qty.	Description
1	003083-000		NO.8-18 X 1/2 PHIL FLAT TOP TRUSS HD AB SCREW
2	B1007913		HINGE CLIP (DESIGNER TIME PIECE)
3	000991-000		FRONT FRAME 48 RH WELD ASSY
4	PD020060		10 X 1/2 (5/16)HEX WSHER HD.(T)A
5	PD020032		SRW-8(A)X3/8PH.WFR HD 7/16DIAXNICL
6	PE050238		120 VOLT SIDE HALOGEN LIGHT
7	E9107933		BROILER PAN
8	E9107934		BROILER PAN INSERT
9	PD020048		NO.10 X 1/2 TEK 410 SS SCREW
10	G9104482		CONVECTION FAN COVER ASSY (VGSC306)
11	PE050057		CONVECTION FAN (VGSC306)
12	A1002596		CONVECTION FAN COVER (VDSC)
13	A2008467		INSULATION SHIELD
14	PD020010		10 X 3/8 GREEN GROUNDING SCREW
15	A2002595		CONVECTION FAN BOX (VDSC)
16	M0210443		SCREW-E SM
17	PD020013		TYPE AB NO.6 X 3/8 PH PAN HD. SMS
18	PC020295		HINGE RECEIVER ASSEMBLY
19	PD020004		10X3/8PH.HD.TYPE 25 REPL PD040125
20	PB060044		OVEN RK VDSC30/48RH REPL PB060019
21	PB060030		RACK SUPT REPL PB060010
22	PD020063		SCREW-NO.8(A) X 3/8PH WFR HD/BK OXID
23	E91012614		LIGHT HOLE COVER

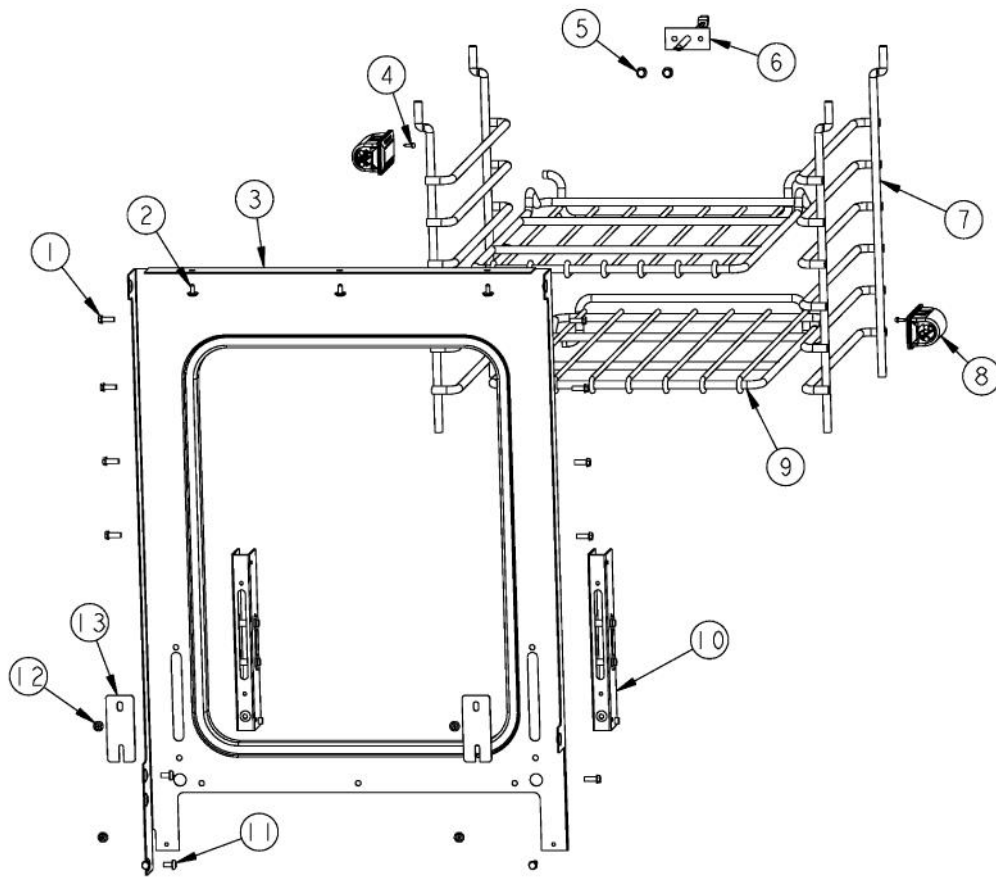


Ref #	Part Number	Qty.	Description
1	G9104438		OVEN BOTTOM PAN ASSY (VGSC306)
NI	A2004439	1	OVEN BOTTOM SHIELD (VGSC306)
2	PB050059		BAKE BURNER - NATURAL GAS
3	PD020060		10 X 1/2 (5/16)HEX WSHR HD.(T)A
4	PD030018		PALNUT - 3/4-16
5	PB040265		BULKHEAD ORIFICE FITTING
5	PB040246		SUB TO PB040035 - NO.51 ORIFICE HOOD
6	A2004424		BURNER COVER (VGSC306)
7	A2004434		ORIFICE BRACKET (VGSC306)
8	B2004415		BURNER BRACKET (VGSC306)
9	PD020048		NO.10 X 1/2 TEK 410 SS SCREW
10	PB040170		BAKE IGNITION ELECTRODE
11	A20010137		30 CAVITY BOTTOM/48 RH BOTTOM

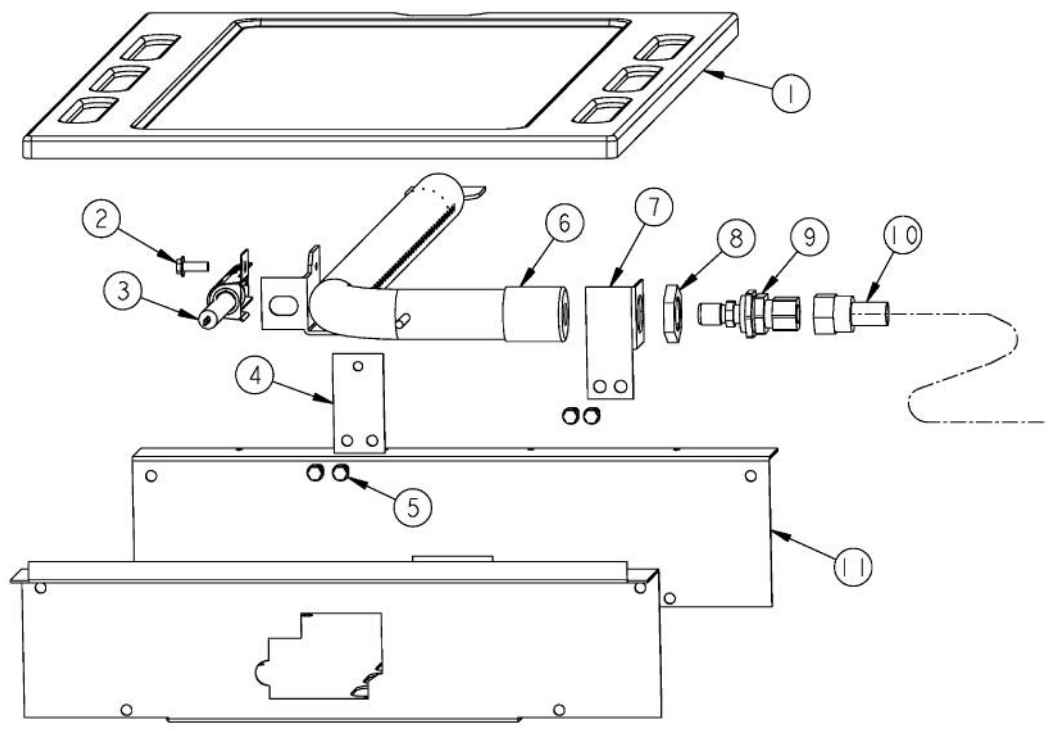


Ref #	Part Number	Qty.	Description
1	B2002528		O/S DOOR PANEL RH XSSX (VDSC48)
1	C9002528AL		O/S DOOR PANEL-RH XALX (VDSC48)
1	C9002528BK		O/S DOOR PANEL-RH XBKX (VDSC48)
1	C9002528BT		O/S DOOR PANEL-RH XBTX (VDSC48)
1	C9002528BU		O/S DOOR PANEL-RH XBUX (VDSC48)
1	C9002528CB		O/S DOOR PANEL-RH XCBX (VDSC48)
1	C9002528EP		O/S DOOR PANEL-RH XEPX (VDSC48)
1	C9002528FG		O/S DOOR PANEL-RH XFGX (VDSC48)
1	C9002528GG		O/S DOOR PANEL-RH XGGX (VDSC48)
1	C9002528LE		O/S DOOR PANEL-RH XLEX (VDSC48)
1	C9002528MJ		O/S DOOR PANEL-RH XMJX (VDSC48)
1	C9002528SG		O/S DOOR PANEL-RH XSGX (VDSC48)
1	C9002528VB		O/S DOOR PANEL-RH XVBX (VDSC48)
1	C9002528WH		O/S DOOR PANEL-RH XWHX (VDSC48)
2	PE030001		BRACKET, DOOR, HANDLE
2	PE030001PVD		END CAP DOOR HANDLE XBR
3	PE030005		DOOR HANDLE - VGSC30/RC60/RC48RH
3	PE030012PVD		DOOR HANDLE - RH - (30/48) PVD
4	PE060031		J-MOLD (LARGE WINDOW)
4	PE060045		J-MOLD (LARGE WINDOW) XBRX
5	PE060030		GLASS-OUTER DOOR BK SCREENED,TEMP
6	PC020223		DOOR HINGE (LONG SPRING) NSF
7	000932-000		DOOR HINGE BRACKET
8	A20015315		DOOR INSULATION RETAINER
9	PB070145		SUPERWOOL 5 X 24 X 3'
10	PB070150		FIBERGLASS ROPE, 3/8 DIA.
11	PB070145		SUPERWOOL 5 X 24 X 3'
12	000042-000		30 DOOR GASKET
13	001142-000		PLUG, DOOR, ASM, PORCELAIN
14	001141-000		LINER, DOOR, ASM, PORCELAIN
15	PC020222		DOOR HINGE (SHORT SPRING) NSF
16	000075-000		DOOR HINGE BRACKET
17	PD020004		10X3/8PH.HD.TYPE 25 REPL PD040125
18	A2002497		DOOR GUIDE ANGLE VDSC
19	PD020002		10 X 1/2 PH.TR.HD.SMS.
20	A2002189		DOOR GLASS STANDOFF (VDSC)
21	A2002367		DOOR GLASS BRKT
22	PE060039		GLASS-HEAT TREATED (HB2) VDSC
23	PD010019		BLT-1/4-20X3/8HEX WASHER SERATED
24	PD020032		SRW-8(A)X3/8PH.WFR HD 7/16DIAXNICL
NI	000938-007		COMPLETE DOOR ASSY. - AL
NI	000938-107		COMPLETE DOOR ASSY. - ALBR
NI	000938-002		COMPLETE DOOR ASSY. - BK
NI	000938-102		COMPLETE DOOR ASSY. - BKBR
NI	000938-003		COMPLETE DOOR ASSY. - BT
NI	000938-103		COMPLETE DOOR ASSY. - BTBR
NI	000938-008		COMPLETE DOOR ASSY. - BU
NI	000938-108		COMPLETE DOOR ASSY. - BUBR
NI	000938-013		COMPLETE DOOR ASSY. - CB
NI	000938-113		COMPLETE DOOR ASSY. - CBBR
NI	000938-014		COMPLETE DOOR ASSY. - EP
NI	000938-114		COMPLETE DOOR ASSY. - EPBR
NI	000938-011		COMPLETE DOOR ASSY. - FG
NI	000938-111		COMPLETE DOOR ASSY. - FGBR
NI	000938-005		COMPLETE DOOR ASSY. - GG
NI	000938-105		COMPLETE DOOR ASSY. - GGBR
NI	000938-009		COMPLETE DOOR ASSY. - LE
NI	000938-109		COMPLETE DOOR ASSY. - LEBR
NI	000938-010		COMPLETE DOOR ASSY. - MJ
NI	000938-110		COMPLETE DOOR ASSY. - MJBR

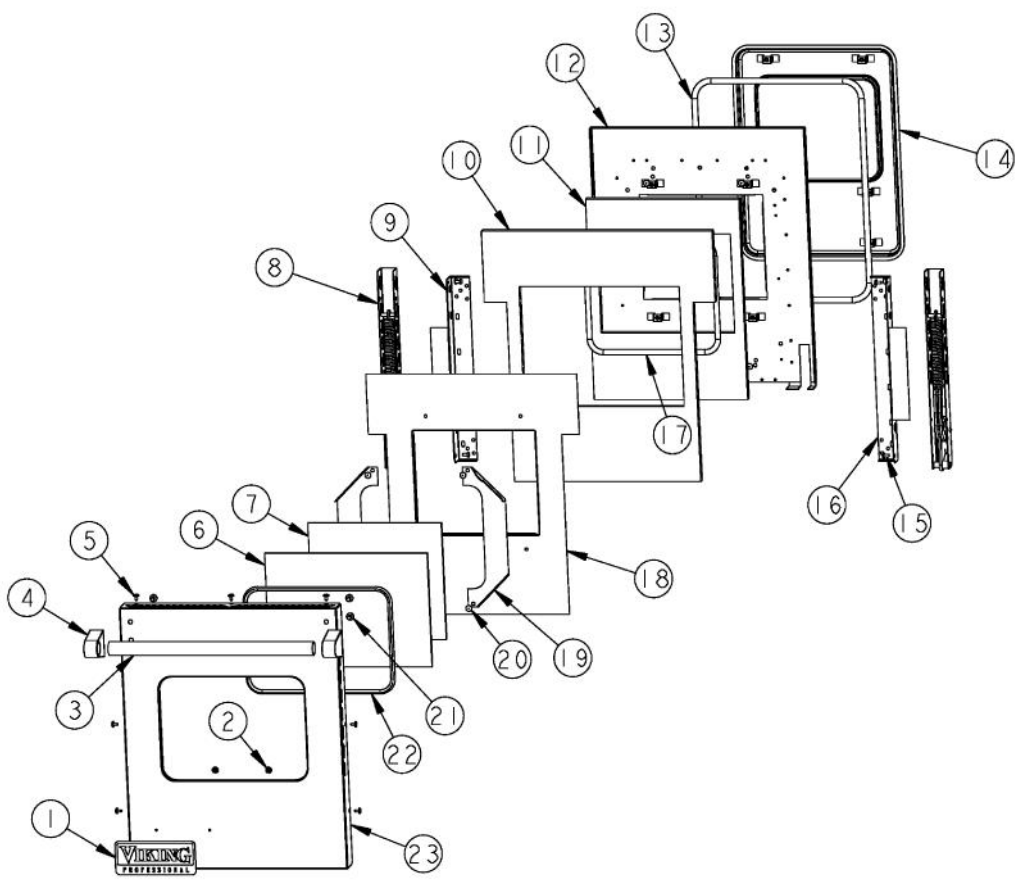
Ref #	Part Number	Qty.	Description
NI	000938-110		COMPLETE DOOR ASSY. - MJBR
NI	000938-004		COMPLETE DOOR ASSY. - SG
NI	000938-104		COMPLETE DOOR ASSY. - SGBR
NI	000938-000		DOOR, ASSEMBLY 30
NI	000938-100		DOOR ASSEMBLY, 48 RH (BR)
NI	000938-012		COMPLETE DOOR ASSY. - VB
NI	000938-112		COMPLETE DOOR ASSY. - VBBR
NI	000938-006		COMPLETE DOOR ASSY. - WH
NI	000938-106		COMPLETE DOOR ASSY. - WHBR



Ref #	Part Number	Qty.	Description
1	PD020060		10 X 1/2 (5/16)HEX WSHER HD.(T)A
2	PD020032		SRW-8(A)X3/8PH.WFR HD 7/16DIAXNICL
3	001014-000		FRONT FRAME 48 LH WELD ASSY
4	PD020013		TYPE AB NO.6 X 3/8 PH PAN HD. SMS
5	PD020048		NO.10 X 1/2 TEK 410 SS SCREW
6	PE050206		RTD THERMOSTAT PROBE
7	PB060030		RACK SUPT REPL PB060010
8	PE050238		120 VOLT SIDE HALOGEN LIGHT
9	PB060046		OVEN RK VDSC48-LH REPL PB060023
10	PC020295		HINGE RECEIVER ASSEMBLY
11	PD020004		10X3/8PH.HD.TYPE 25 REPL PD040125
12	003083-000		NO.8-18 X 1/2 PHIL FLAT TOP TRUSS HD AB SCREW
13	B1007913		HINGE CLIP (DESIGNER TIME PIECE)

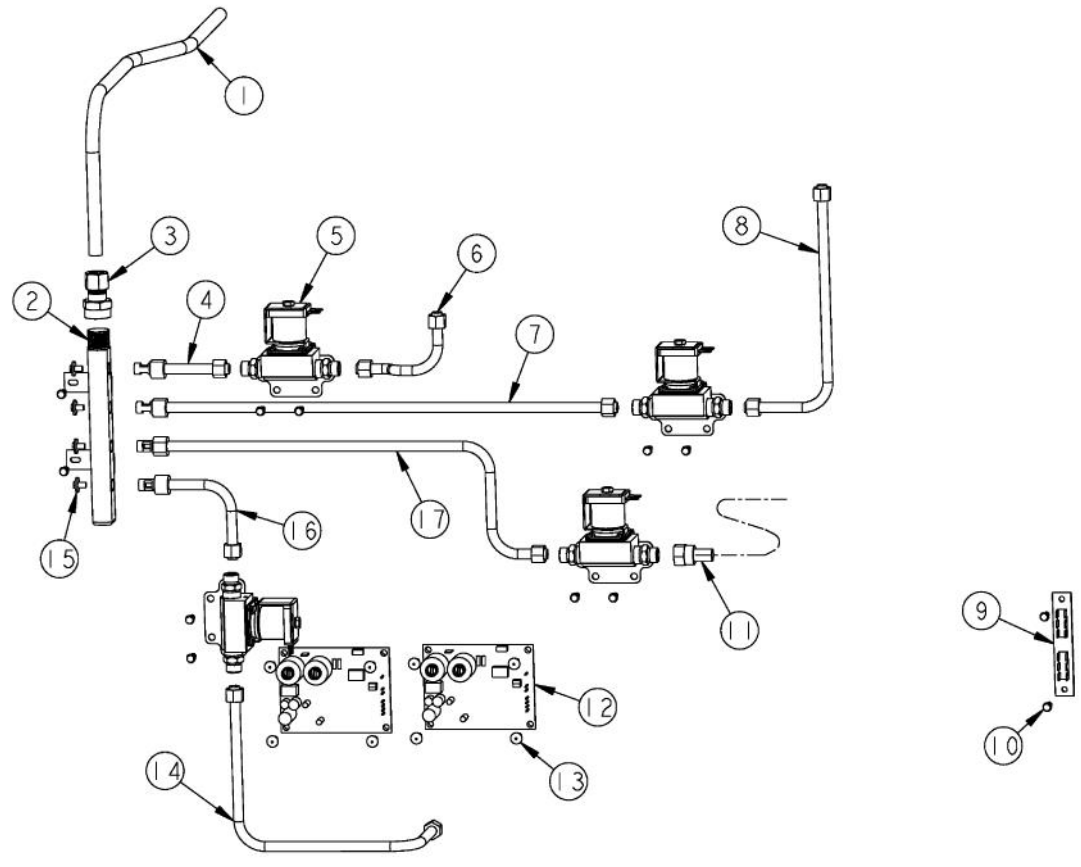


Ref #	Part Number	Qty.	Description
1	G3205588		OVEN BOTTOM PAN ASSY 48LH
2	PD020048		NO.10 X 1/2 TEK 410 SS SCREW
3	PB040273		BAKE IGNITION ELECTRODE
4	A1005571		BURNER MOUNTING BRACKET
5	PD020060		10 X 1/2 (5/16)HEX WSHER HD.(T)A
6	PB050080		VGSC486 LH OVEN BURNER
7	A2005579		ORIFICE BRACKET 48LH
8	PD030018		PALNUT - 3/4-16
9	PB040229		BULKHEAD FITTING (VGSC486LH)
9	PB040237		SUB TO PB040062 - NO.56 ORIFICE HOOD
10	PB020136		44 3/8 S.S. FLEX TUBING T6-44
11	A20010139		48 LH CAVITY BOTTOM

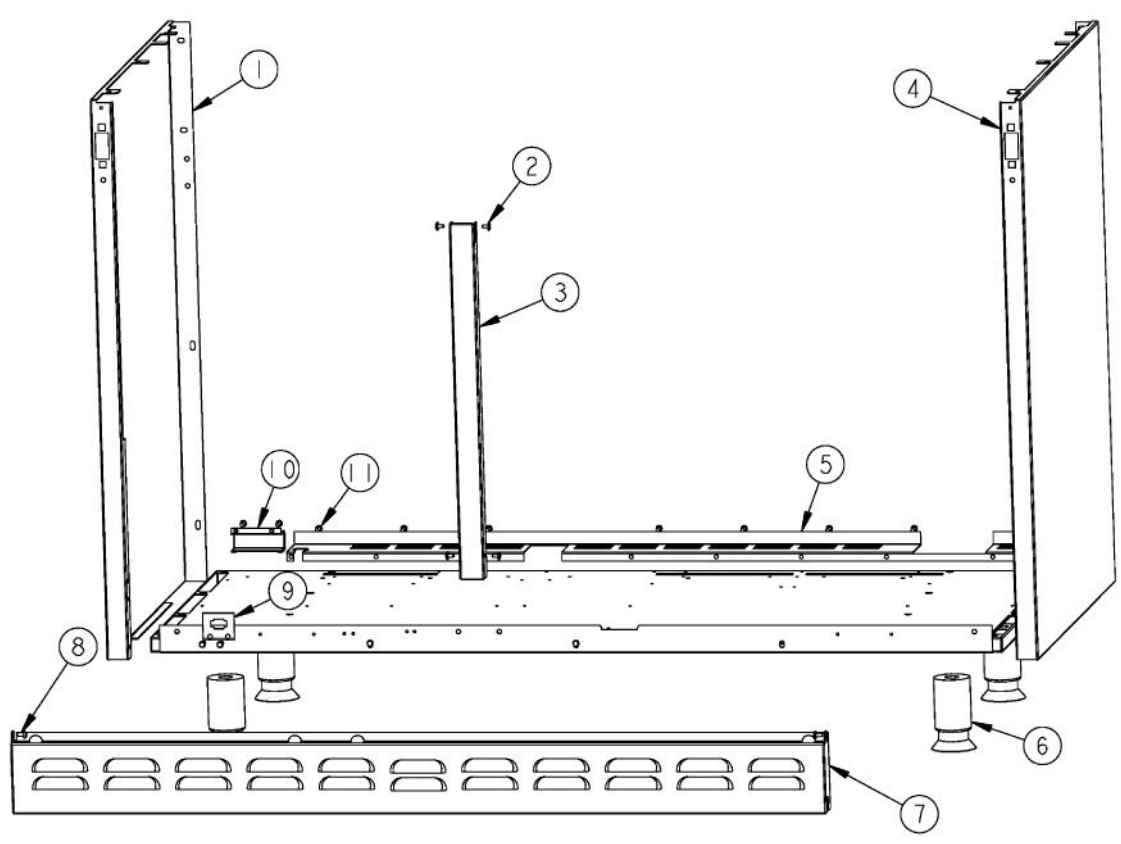


Ref #	Part Number	Qty.	Description
1	PE010030		LOGO, 6, PRO, BK
1	PE010068		LOGO, 6, PRO, BK/BR
1	PE010031		LOGO 6 (VGRC) XBK/WHX
1	PE010076		LOGO 6 (VGRC) XBR/WHX
2	PD030006		CAPPED WASHER PAL NUT
3	PE030008		DOOR HANDLE - LH 48VGRC
3	PE030014		HANDLE - BR
4	PE030001		BRACKET, DOOR, HANDLE
4	PE030001PVD		END CAP DOOR HANDLE XBR
5	PD020032		SRW-8(A)X3/8PH.WFR HD 7/16DIAXNICL
6	PE060049		GLASS LH XTEX DF48DOOR
7	PE060032		GLASS (HEAT BARRIER) LH DF48DOOR
8	PC020222		DOOR HINGE (SHORT SPRING) NSF
9	000932-000		DOOR HINGE BRACKET
10	PB070145		SUPERWOOL 5 X 24 X 3'
11	PB070145		SUPERWOOL 5 X 24 X 3'
12	001144-000		LINER, DOOR, PORCELAIN 48 LH
13	000080-000		48 LH DOOR GASKET
14	001145-000		PLUG, DOOR, PORCELAIN, 48 LH
15	PD020004		10X3/8PH.HD.TYPE 25 REPL PD040125
16	000075-000		DOOR HINGE BRACKET
17	PB070150		FIBERGLASS ROPE, 3/8 DIA.
18	000939-000		INNER DOOR HEAT SINK
19	E9102668		WINDOW BRKT (O/S DOOR GLASS)
20	PD020002		10 X 1/2 PH.TR.HD.SMS.
21	PD010019		BLT-1/4-20X3/8HEX WASHER SERATED
22	PE060046		J-MOLD LH SS (DF48 DOOR)
22	PE060048		J-MOLD LH XBRX (DF48 DOOR)
23	B2002504		O/S DOOR PANEL LH XSSX (VDSC48)
23	C9002504AL		O/S DOOR PANEL-LH XALX (VDSC48)
23	C9002504BK		O/S DOOR PANEL-LH XBKX (VDSC48)
23	C9002504BT		O/S DOOR PANEL-LH XBTX (VDSC48)
23	C9002504BU		O/S DOOR PANEL-LH XBUX (VDSC48)
23	C9002504CB		O/S DOOR PANEL-LH XCBX (VDSC48)
23	C9002504EP		O/S DOOR PANEL-LH XEPX (VDSC48)
23	C9002504FG		O/S DOOR PANEL-LH XFGX (VDSC48)
23	C9002504GG		O/S DOOR PANEL-LH XGGX (VDSC48)
23	C9002504LE		O/S DOOR PANEL-LH XLEX (VDSC48)
23	C9002504MJ		O/S DOOR PANEL-LH XMJX (VDSC48)
23	C9002504SG		O/S DOOR PANEL-SG XSGX (VDSC48)
23	C9002504VB		O/S DOOR PANEL-LHXVBX (VDSC48)
23	C9002504WH		O/S DOOR PANEL-LH XWHX (VDSC48)
NI	000946-007		COMPLETE DOOR ASSY. - AL
NI	000946-107		COMPLETE DOOR ASSY. - ALBR
NI	000946-002		COMPLETE DOOR ASSY. - BK
NI	000946-102		COMPLETE DOOR ASSY. - BKBR
NI	000946-003		COMPLETE DOOR ASSY. - BT
NI	000946-103		COMPLETE DOOR ASSY. - BTBR
NI	000946-008		COMPLETE DOOR ASSY. - BU
NI	000946-108		COMPLETE DOOR ASSY. - BUBR
NI	000946-013		COMPLETE DOOR ASSY. - CB
NI	000946-113		COMPLETE DOOR ASSY. - CBBR
NI	000946-014		COMPLETE DOOR ASSY. - EP
NI	000946-114		COMPLETE DOOR ASSY. - EPBR
NI	000946-011		COMPLETE DOOR ASSY. - FG
NI	000946-111		COMPLETE DOOR ASSY. - FGBR
NI	000946-005		COMPLETE DOOR ASSY. - GG
NI	000946-105		COMPLETE DOOR ASSY. - GGBR
NI	000946-009		COMPLETE DOOR ASSY. - LE
NI	000946-109		COMPLETE DOOR ASSY. - LEBR

Ref #	Part Number	Qty.	Description
NI	000946-109		COMPLETE DOOR ASSY. - LEBR
NI	000946-010		COMPLETE DOOR ASSY. - MJ
NI	000946-110		COMPLETE DOOR ASSY. - MJBR
NI	000946-004		COMPLETE DOOR ASSY. - SG
NI	000946-104		COMPLETE DOOR ASSY. - SGBR
NI	000946-000		DOOR ASSY 48 LH
NI	000946-100		DOOR ASSEMBLY, 48 LH (BR)
NI	000946-012		COMPLETE DOOR ASSY. - VB
NI	000946-112		COMPLETE DOOR ASSY. - VBBR
NI	000946-006		COMPLETE DOOR ASSY. - WH
NI	000946-106		COMPLETE DOOR ASSY. - WHBR

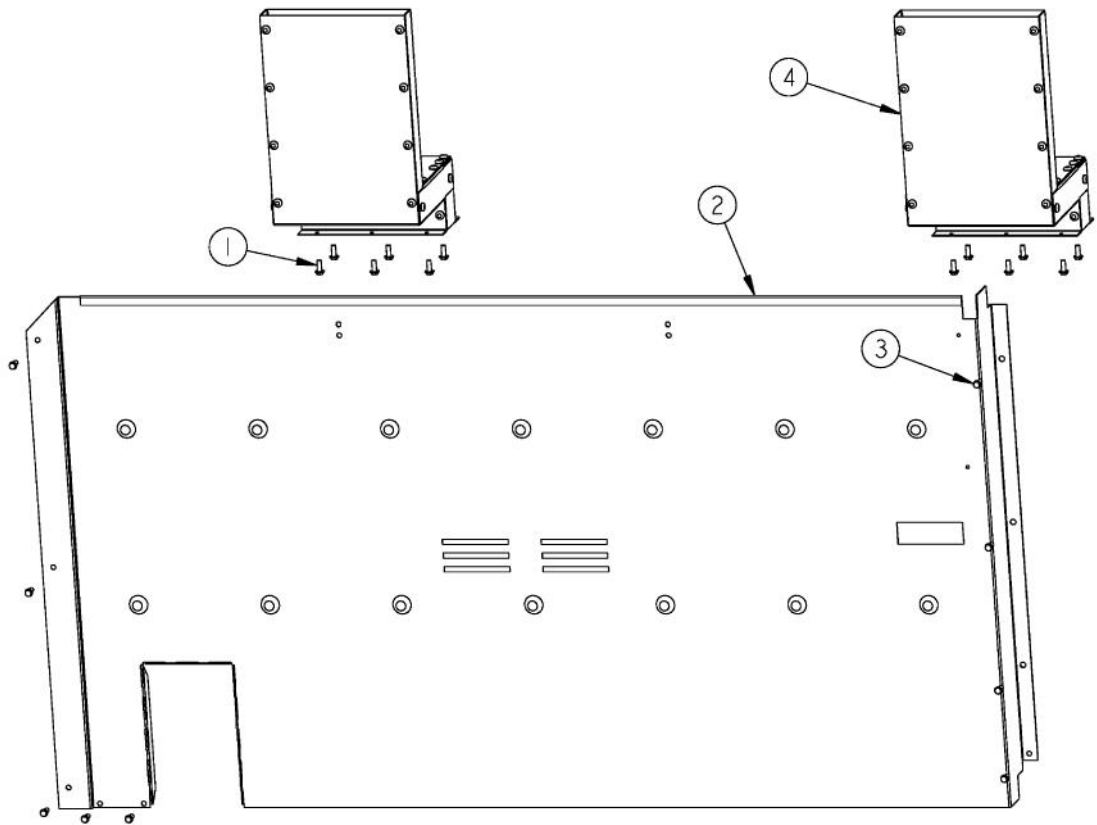


Ref #	Part Number	Qty.	Description
1	000927-000		1/2 ALUM TUBING
2	000863-000		4 PORT MANIFOLD
3	000847-000		1/2 COMP TO 1/2 FEMALE NPT ADAPTER
4	000916-000		3/8 BROIL TUBING
5	003226-000	1	FJT VALVE - NO NUT/FERRELL
6	000921-000		3/8 ALUM TUBING ELBOW
7	000922-000		3/8 GRIDDLE TUBING
8	000923-000		3/8 GRIDDLE TUBING
9	PE050001		TERMINAL BOARD
10	PD020060		10 X 1/2 (5/16)HEX WSHR HD.(T)A
11	PB020136		44 3/8 S.S. FLEX TUBING T6-44
12	PA020056		TYTRONICS DSI MODULE
13	PD020014		10X3/4 PH TR HD SMS
14	000919-000		3/8 ALUM TUBING
15	PD010012		VALVE BOLT 1/4-20 UNC-2B 5/16 M.S.
16	000918-000		3/8 BAKE TUBING
17	000917-000		3/8 TUBING LH BAKE



Ref #	Part Number	Qty.	Description
1	003349-007		LH RANGE BODY PANEL (AL)
1	003349-002		LH RANGE BODY PANEL (BK)
1	003349-003		LH RANGE BODY PANEL (BT)
1	003349-008		LH RANGE BODY PANEL (BU)
1	003349-013		LH RANGE BODY PANEL (CB)
1	003349-014		LH RANGE BODY PANEL (EP)
1	003349-011		LH RANGE BODY PANEL (FG)
1	003349-005		LH RANGE BODY PANEL (GG)
1	003349-009		LH RANGE BODY PANEL (LE)
1	003349-010		LH RANGE BODY PANEL (MJ)
1	003349-004		LH RANGE BODY PANEL (SG)
1	003349-000		LH RANGE BODY PANEL
1	003349-012		LH RANGE BODY PANEL (VB)
1	003349-006		LH RANGE BODY PANEL (WH)
2	PD020032		SRW-8(A)X3/8PH.WFR HD 7/16DIAXNICL
3	B2005683		CENTER TRIM
3	C9005683AL		CENTER TRIM XALX
3	C9005683BK		CENTER TRIM XBKX
3	C9005683BT		CENTER TRIM XBTX
3	C9005683BU		CENTER TRIM XBUX
3	C9005683CB		CENTER TRIM XCBX
3	C9005683EP		CENTER TRIM XEPX
3	C9005683FG		CENTER TRIM XFGX
3	C9005683GG		CENTER TRIM XGGX
3	C9005683LE		CENTER TRIM XLEX
3	C9005683MJ		CENTER TRIM XMJX
3	C9005683SG		CENTER TRIM XSGX
3	C9005683VB		CENTER TRIM XVBX
3	C9005683WH		CENTER TRIM XWHX
4	003348-007		O/S BODY PANEL - RH (AL)
4	003348-002		O/S BODY PANEL - RH (BK)
4	003348-003		O/S BODY PANEL - RH (BT)
4	003348-008		O/S BODY PANEL - RH (BU)
4	003348-013		O/S BODY PANEL - RH (CB)
4	003348-014		O/S BODY PANEL - RH (EP)
4	003348-011		O/S BODY PANEL - RH (FG)
4	003348-005		O/S BODY PANEL - RH (GG)
4	003348-009		O/S BODY PANEL - RH (LE)
4	003348-010		O/S BODY PANEL - RH (MJ)
4	003348-004		O/S BODY PANEL - RH (SG)
4	003348-000		RH RANGE BODY PANEL
4	003348-012		O/S BODY PANEL - RH (VB)
4	003348-006		O/S BODY PANEL - RH (WH)
5	A2005584		O/S OVEN BACK BOTTOM
6	PC030017		4 LEG ASSY
7	B2001241		LWR ACC. PNL - RPLCS B2001973
7	C9001241AL		LWR ACC PNL - RPLCS C9001973AL
7	C9001241BK		LWR ACC PNL - RPLCS C9001973BK
7	C9001241BT		LWR ACC PNL - RPLCS C9001973BT
7	C9001241BU		LWR ACC PNL - RPLCS C9001973BU
7	C9001241CB		LWR ACC PNL - RPLCS C9001973CB
7	C9001241EP		LWR ACC PNL - RPLCS C9001973EP
7	C9001241FG		LWR ACC PNL - RPLCS C9001973FG
7	C9001241GG		LWR ACC PNL - RPLCS C9001973GG
7	C9001241LE		LWR ACC PNL - RPLCS C9001973LE
7	C9001241MJ		LWR ACC PNL - RPLCS C9001973MJ
7	C9001241SG		LWR ACC PNL - RPLCS C9001973SG
7	C9001241VB		LWR ACC PNL - RPLCS C9001973VB
7	C9001241WH		LWR ACC PNL - RPLCS C9001973WH
8	PD020004		10X3/8PH.HD.TYPE 25 REPL PD040125

Ref #	Part Number	Qty.	Description
8	PD020004		10X3/8PH.HD.TYPE 25 REPL PD040125
9	003439-000		POWER DISCONNECT BRACKET
10	A2004481		WIRE CHANNEL RH (VGSC306)
11	PD020060		10 X 1/2 (5/16)HEX WSHER HD.(T)A



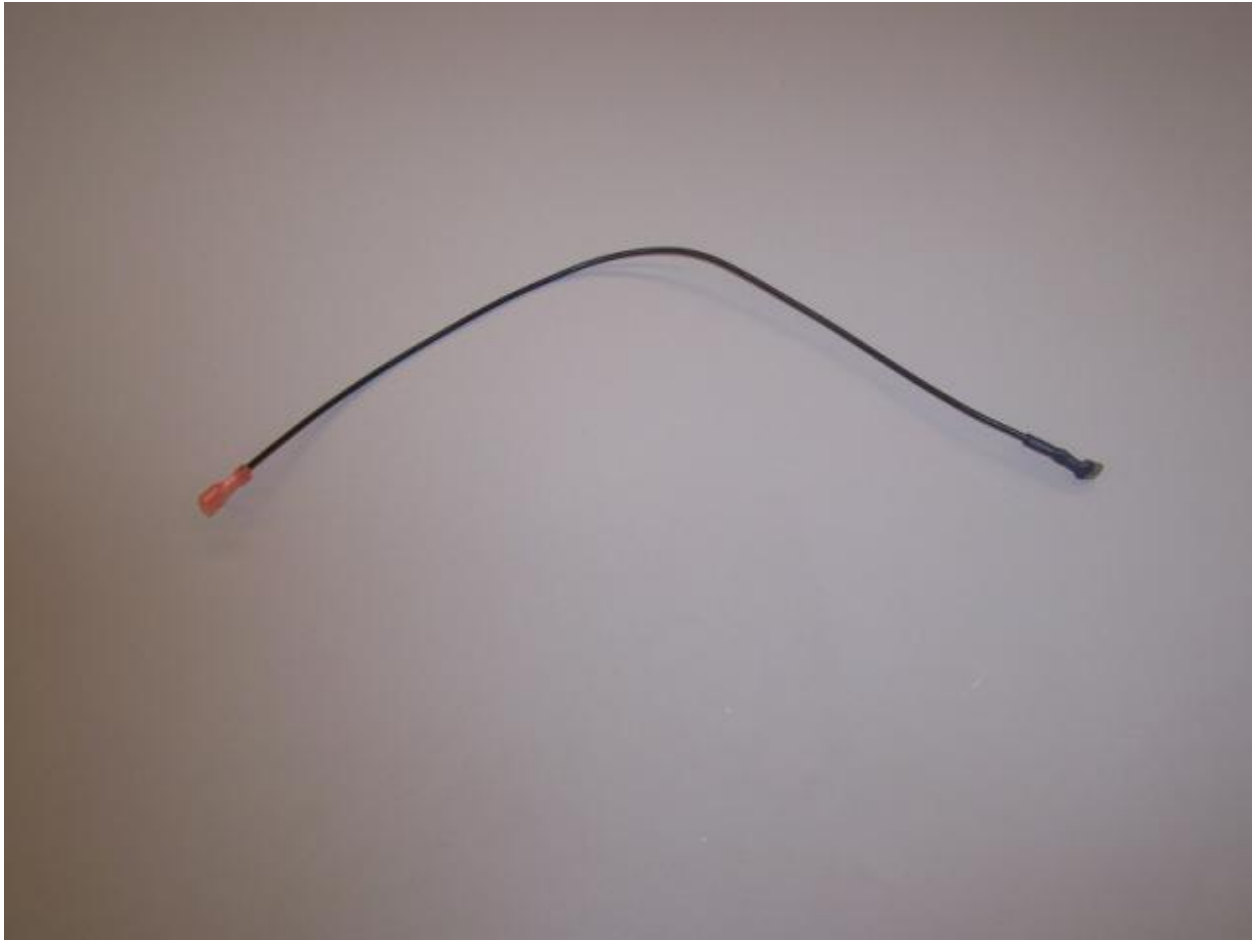
Ref #	Part Number	Qty.	Description
1	PD020048		NO.10 X 1/2 TEK 410 SS SCREW
2	A2005583		48 REAR COVER
3	PD020060		10 X 1/2 (5/16)HEX WSHER HD.(T)A
4	000967-000		FLUE ASSY



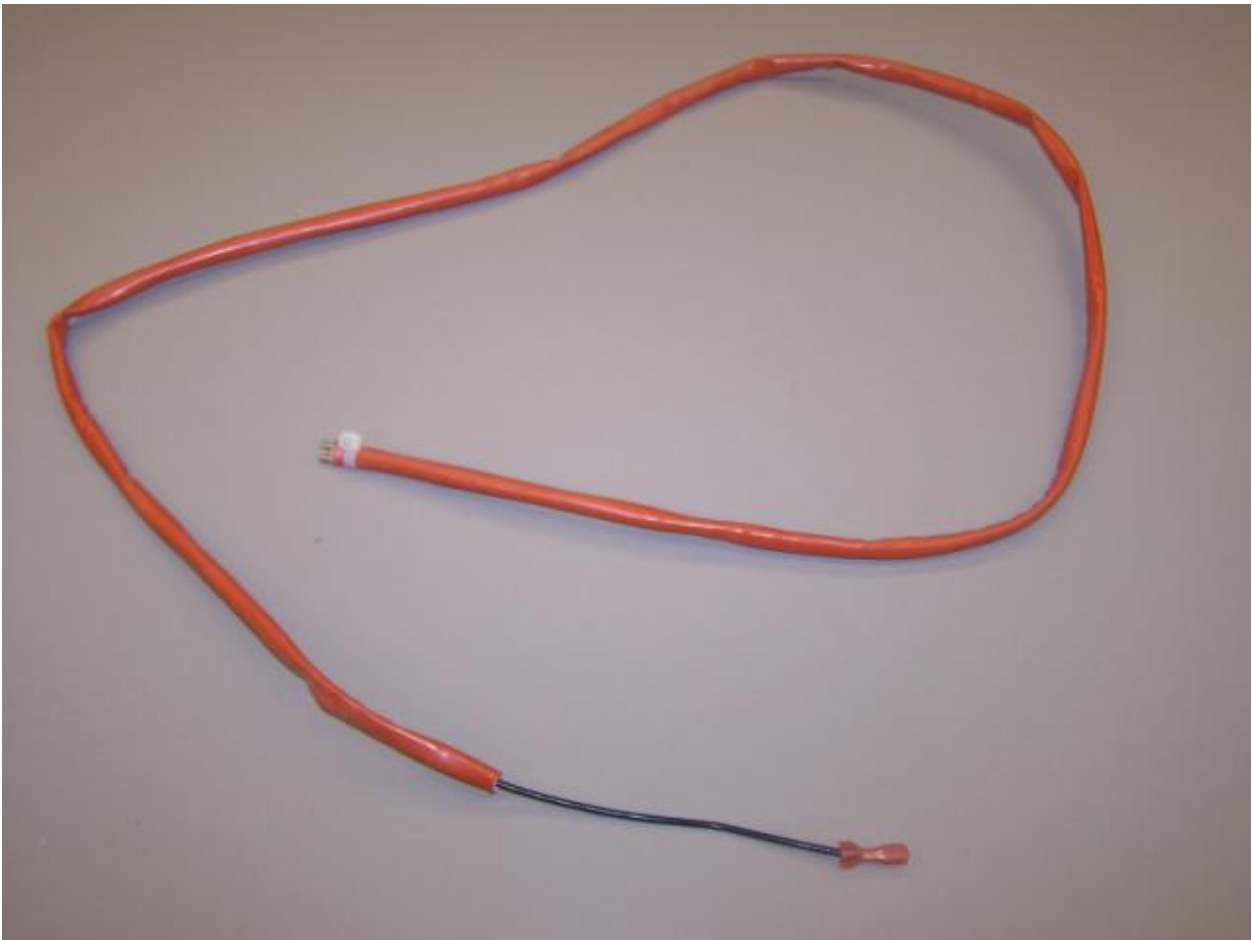
Ref #	Part Number	Qty.	Description
1	G4008493		SUPPLY CORD ASSY- VGSU



Ref #	Part Number	Qty.	Description
1	PE070245		LIGHT EXTENTION HARNESS (VGSC306) (MAY NOT BE USED ON ALL UNITS)



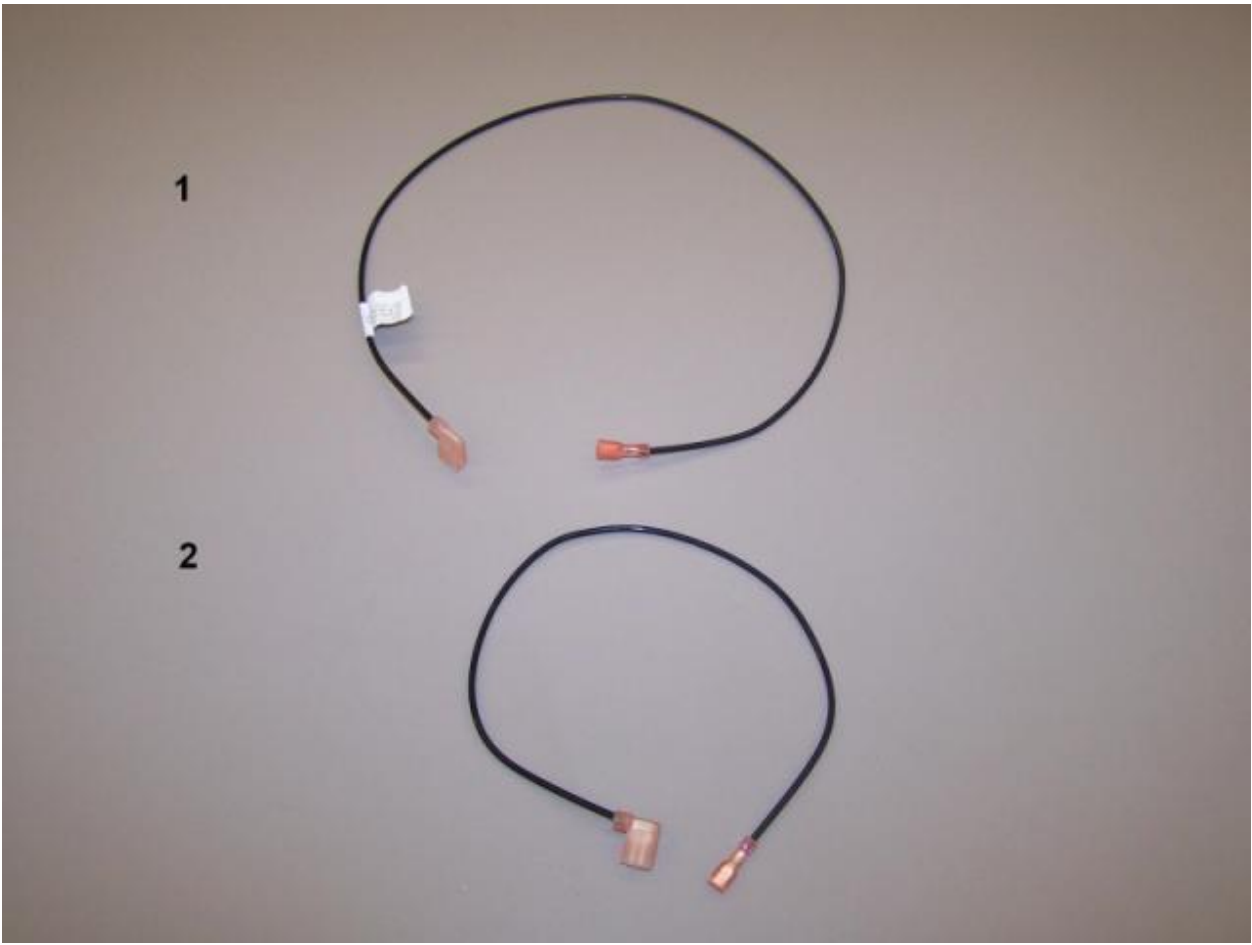
Ref #	Part Number	Qty.	Description
1	001914-000		WIRE, ASSY, BROIL IGNITOR



Ref #	Part Number	Qty.	Description
1	001911-000		WIRE, ASSY, BAKE IGNITOR



Ref #	Part Number	Qty.	Description
1	001754-000		HARNESS POWER DISCONNECT



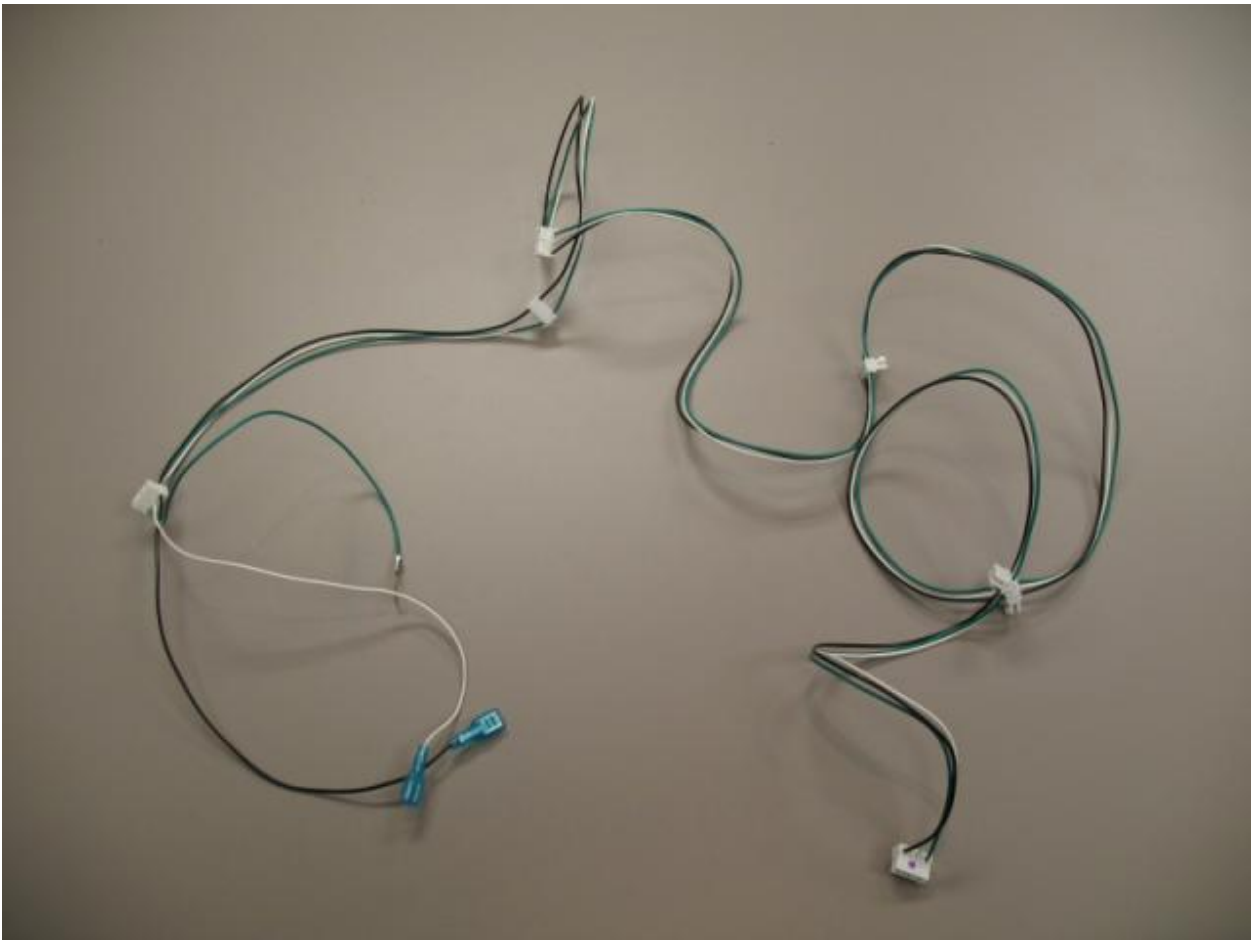
Ref #	Part Number	Qty.	Description
1	000648-000		IRIS IGNITOR WIRE, BACK BURNER
2	000647-000		IRIS IGNITOR WIRE, FRONT BURNER



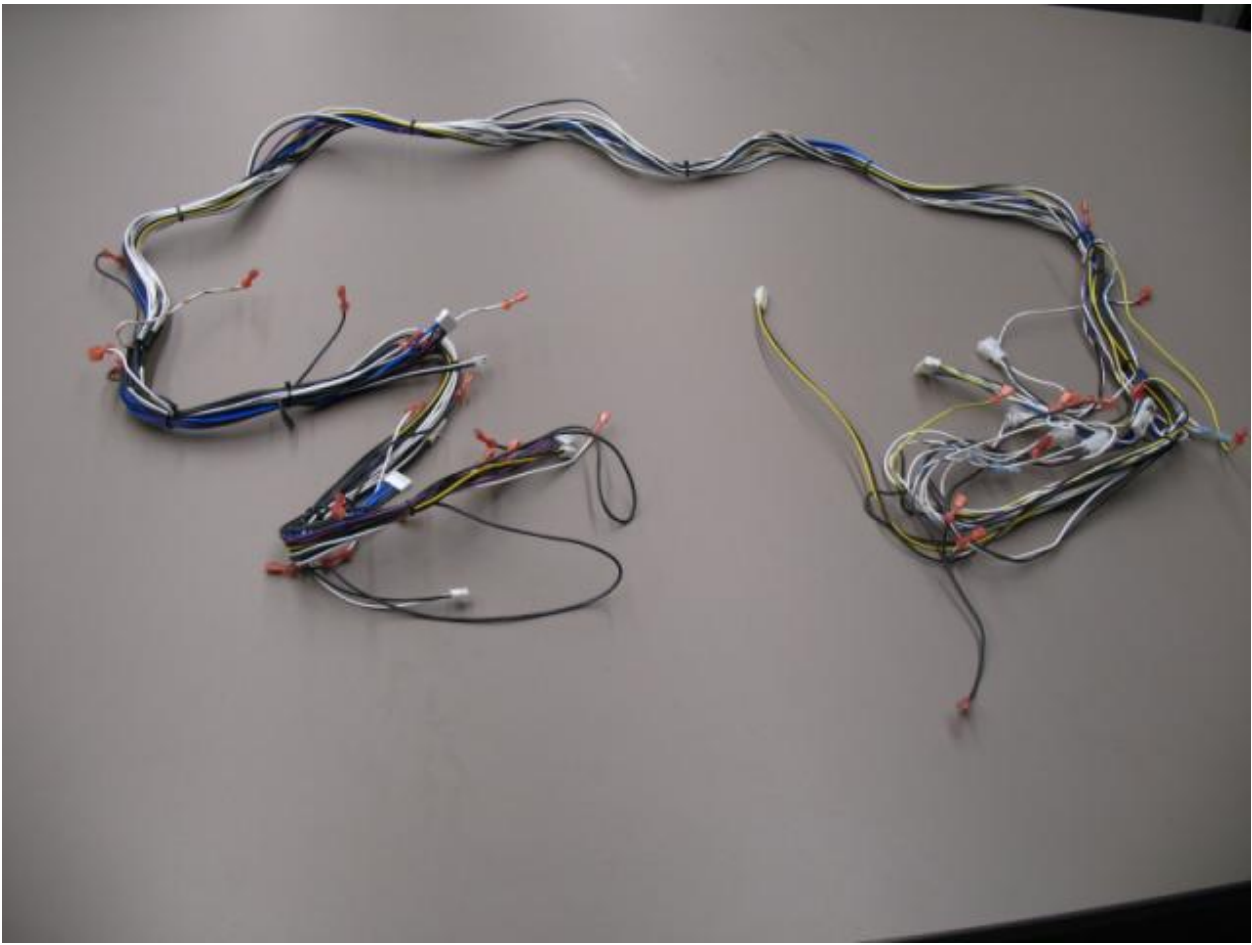
Ref #	Part Number	Qty.	Description
1	000649-000		IRIS IGNITOR WIRE, GRILL



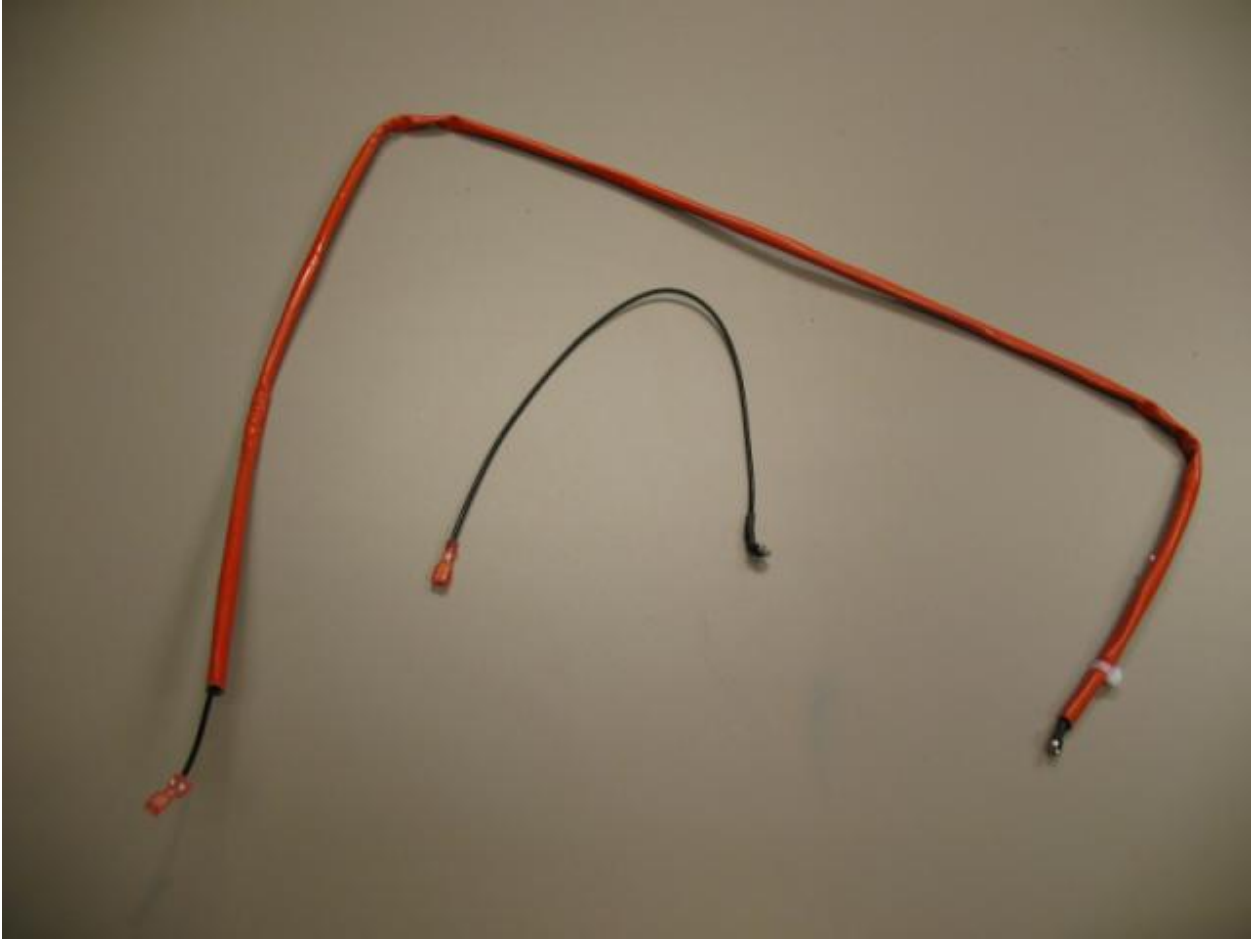
Ref #	Part Number	Qty.	Description
1	001993-000		WIRE,ASSY,GRIDDLE IGNITOR



Ref #	Part Number	Qty.	Description
1	PE070891		IRIS HARNESS - 48



Ref #	Part Number	Qty.	Description
1	001734-000		HARNESS,WIRE VGIC48-4GQ



Ref #	Part Number	Qty.	Description
1	001992-000		WIRE,ASSY,LH BAKE IGNITOR