

This Owner's Manual is provided and hosted by [Appliance Factory Parts](#).



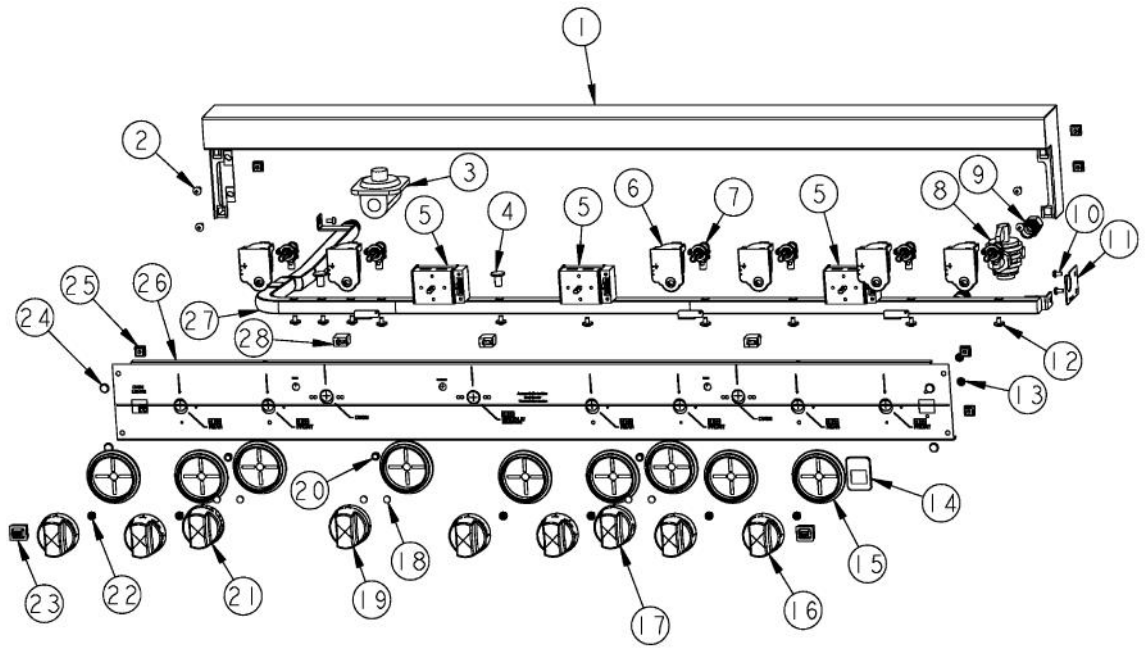
VIKING VGIC488-6G Owner's Manual

[Shop genuine replacement parts for VIKING
VGIC488-6G](#)

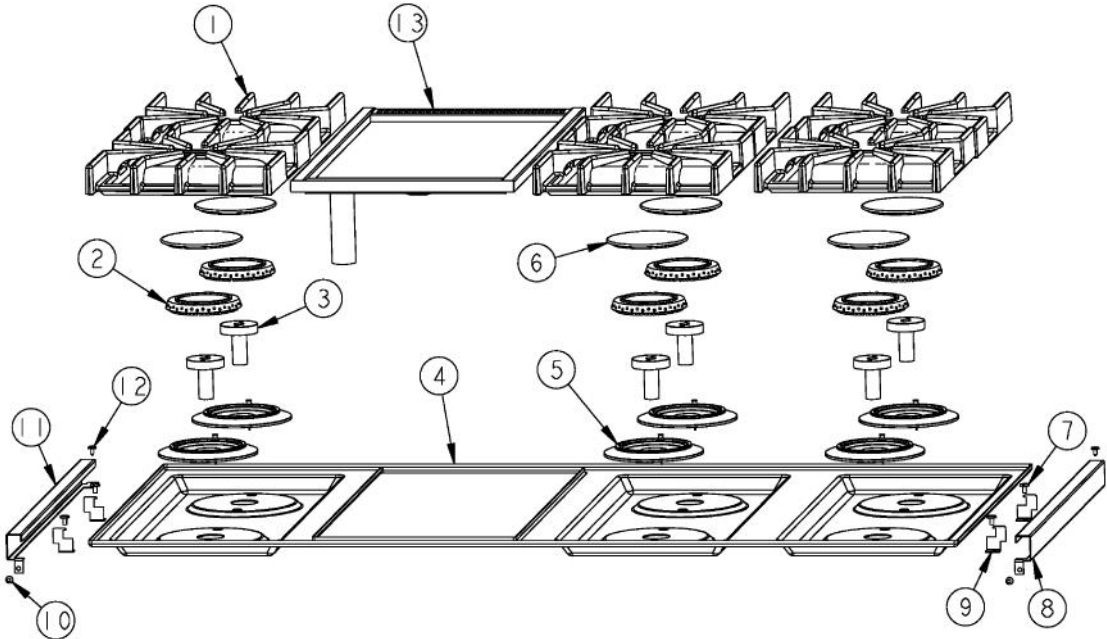


[Find Your VIKING Range Hoods Parts - Select From 411 Models](#)

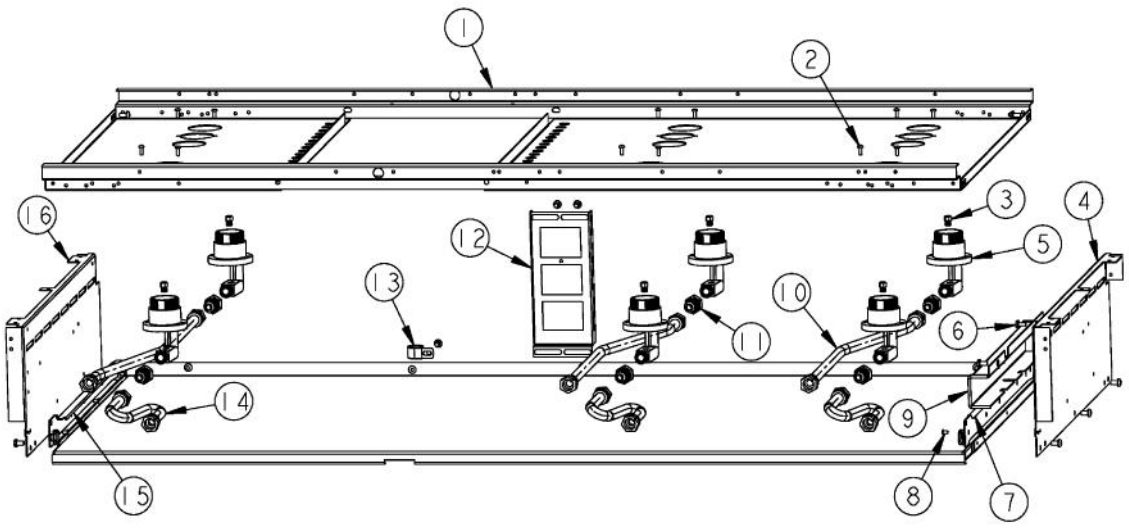
----- Manual continues below -----



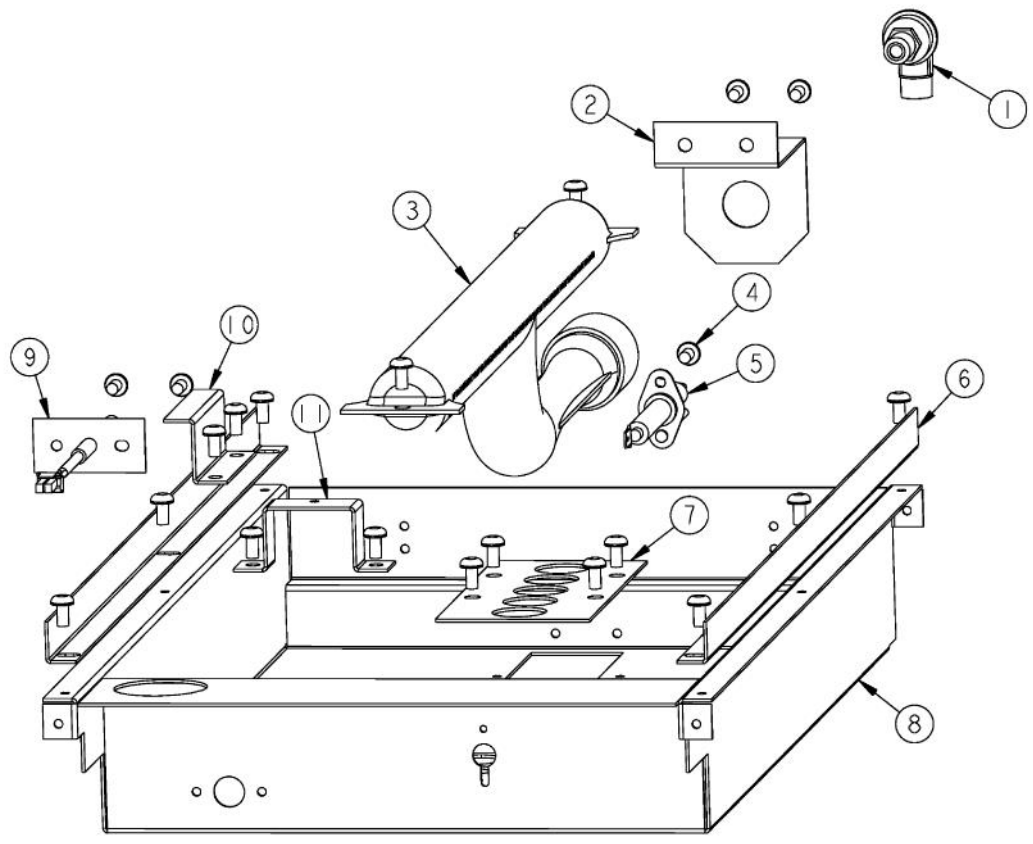
Ref #	Part Number	Qty.	Description
1	G3001584		LANDING LGD 48
2	PD010003		10-24 X 1/2 PH.TR.HD.SERD.M.S.
3	PA070003		PRESSURE REGULATOR (NAT.)
4	002884-000		MANIFOLD PLUG
5	000336-000		ELECTRONIC THERMOSTAT - 2 POS.
6	PA020058		IRIS SINGLE SPARK MODULE
7	PB030006		SHUT-OFF VALVE (VGSO166)
8	PA010158		SUB TO 003517-000 - SEALED BURNER FLARE VALVE
8	000633-000		TOP BURNER VALVE - LP
9	000845-000		1/2 COMP TO 1/2 MALE NPT ADAPTER
10	PD020004		10X3/8PH.HD.TYPE 25 REPL PD040125
11	A1001138		MANIFOLD BRKT
12	PD010012		VALVE BOLT 1/4-20 UNC-2B 5/16 M.S.
13	PD030006		CAPPED WASHER PAL NUT
14	PE010081		CONVECTION-LABEL/PLATE (CHROME)
	PE010082		CONVECTION-LABEL/PLATE (XBRX)
15	PB010208		BEZEL, CHROME PLATE
	PB010209		BEZEL BRASS
16	PB010206		VGSC,VGRC,VGRT TOP BURNER KNOB(BK)
	PB010207		VGSC,VGRC,VGRT TOP BURNER KNOB(WH)
17	000447-000		THERMOSTAT KNOB SELF-CLEAN (BK)
	000447-006		OVEN KNOB WITH BROIL(WH)
18	PD020046		NO.8 X 1/2 SCREWS
19	000448-000		GRIDDLE KNOB XBKX
	000448-006		GRIDDLE KNOB (WH)
20	PE050023		OVEN IND. LIGHT (LENS & BEZEL)
21	000381-000		OVEN KNOB W/O BROIL
	000381-006		OVEN KNOB W/O BROIL (WH)
22	PD020044		NO.8-32 X 1/4 PH. TR. HD. M.S.
23	PE050016		OVEN LIGHT SWITCH - XBKX (WES-GAR)
24	PD020033		SRW-NO.10-24X1/2T(23)PH.WFR HD (NKL)
25	PD030029		SELF RETAINING NUT (1/4-20)
26	B9202374		CTRL PAN- (VGRC485-6G)XSLK SCRX
27	000930-000		48 MANIFOLD
28	PE050024		OVEN IND. LIGHT (LIGHT HOUSING)



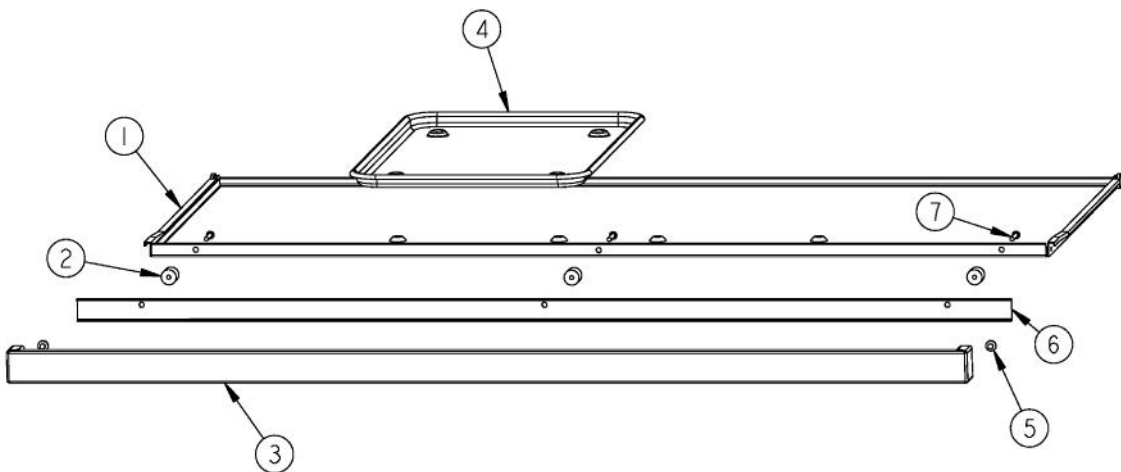
Ref #	Part Number	Qty.	Description
1	PA060054		SEALED GRATE XBKX
2	PB050063		BURNER HEAD (BEFORE 12/18/07)
2	001386-000		BURNER HEAD (AFTER 12/18/07)
3	PA010100		VENTURI D (VDSC3074B) (BEFORE 12/18/07)
4	E9109801BK		48 SEALED COOKTOP 6BG & 6BQ XBKX
	E9109801WH		48 SEALED COOKTOP 6BG & 6BQ XWHX
5	PB050081		BURNER BASE ASSEMBLY (INCLUDES IGNIGHTER) - BEFORE 12/18/97
5	003322-040		SEALED BURNER BASE, TURNED FINISH (INCLUDES IGNIGHTER) - AFTER 12/18/97
6	PA080083		D BURNER CAP XMATTE BLACKX
7	PD020033		SRW-NO.10-24X1/2T(23)PH.WFR HD (NKL)
8	B20012923		SEALED SIDE TRIM RH-VGSC
	C93012923BR		SEALED SIDE TRIM RH XBRX - VGSC
9	A2007858		SIDE TRIM BRKT
10	PD020004		10X3/8PH.HD.TYPE 25 REPL PD040125
11	B20012924		SEALED SIDE TRIM LH-VGSC
	C93012924BR		SEALED SIDE TRIM LH XBRX - VGSC
12	PD020032		SRW-8(A)X3/8PH.WFR HD 7/16DIAXNICL
13	G30019156		SEALED GRIDDLE ASSEMBLY
NI	003606-000		NO.6-32 SOCKET HEAD SCREW



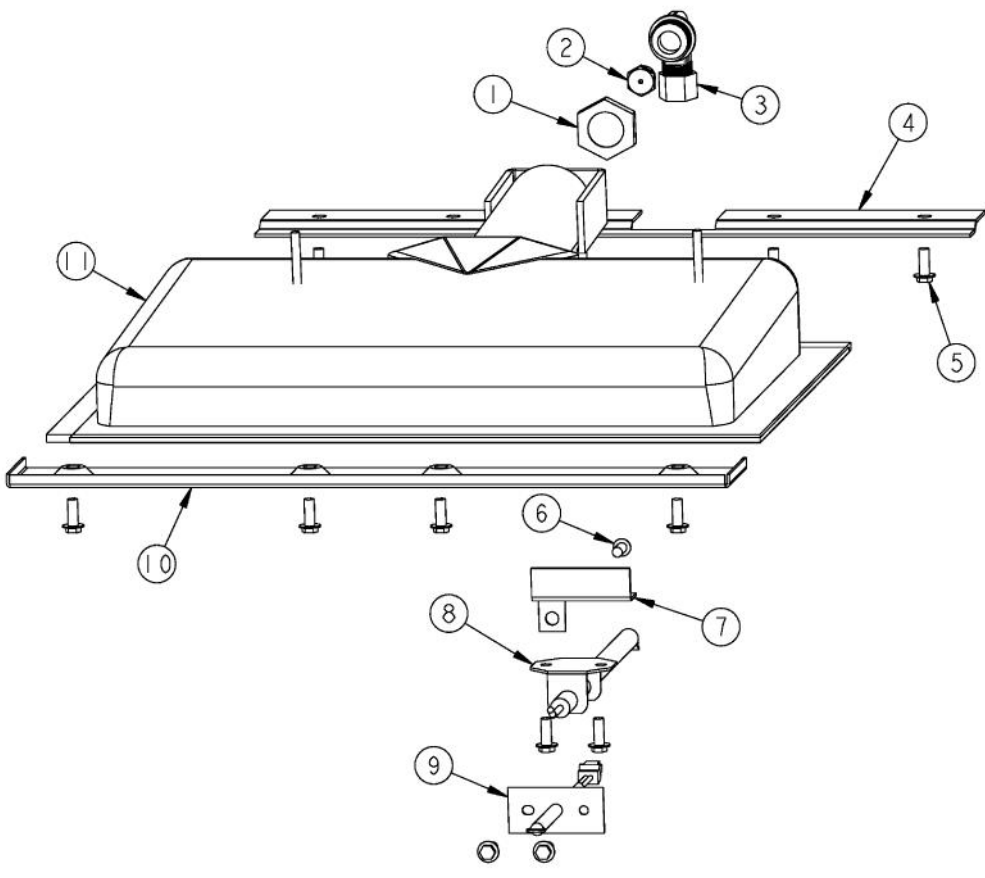
Ref #	Part Number	Qty.	Description
1	A20011234		BURNER BOX SUPPORT
2	PD020076		6-32 X 3/8 PHILL PAN MS
3	PB040194		SEALED RANGE ORIFICE (NAT) (BEFORE 12/18/07)
	001396-000		NATURAL GAS ORIFICE (AFTER 12/18/07)
	PB040217		L.P. ORIFICE (BEFORE 12/18/07)
	005990-000		1.10 MM LP BTU ORIFICE (AFTER 12/18/07)
4	002888-000		BURNER BOX SIDE-RH
5	PA080075		BODY BURNER D (VDSC3074BSS) (BEFORE 12/18/07)
	001394-042		15000 BTU NAT JETHOLDER (AFTER 12/18/07)
	001394-043		13500 BTU LP JETHOLDER (AFTER 12/18/07)
6	PD020004		10X3/8PH.HD.TYPE 25 REPL PD040125
7	PK000008		DRIP TRAY GUIDE - RH
8	PC040010		POP RIVET
9	A2000210		WIRE CHANNEL
10	PB020193		16 FLEX TUBING W/CONNECTORS
11	PA050086		5/8 MALE FLARE FITTING
12	A20013319		SUPPORT BRACKET
13	PD030119		INSULATED CLAMP
14	PB020192		10 FLEX TUBING W/CONNECTORS
15	PK000007		DRIP TRAY GUIDE - LH (VGRT)
16	002889-000		BURNER BOX SIDE-LH



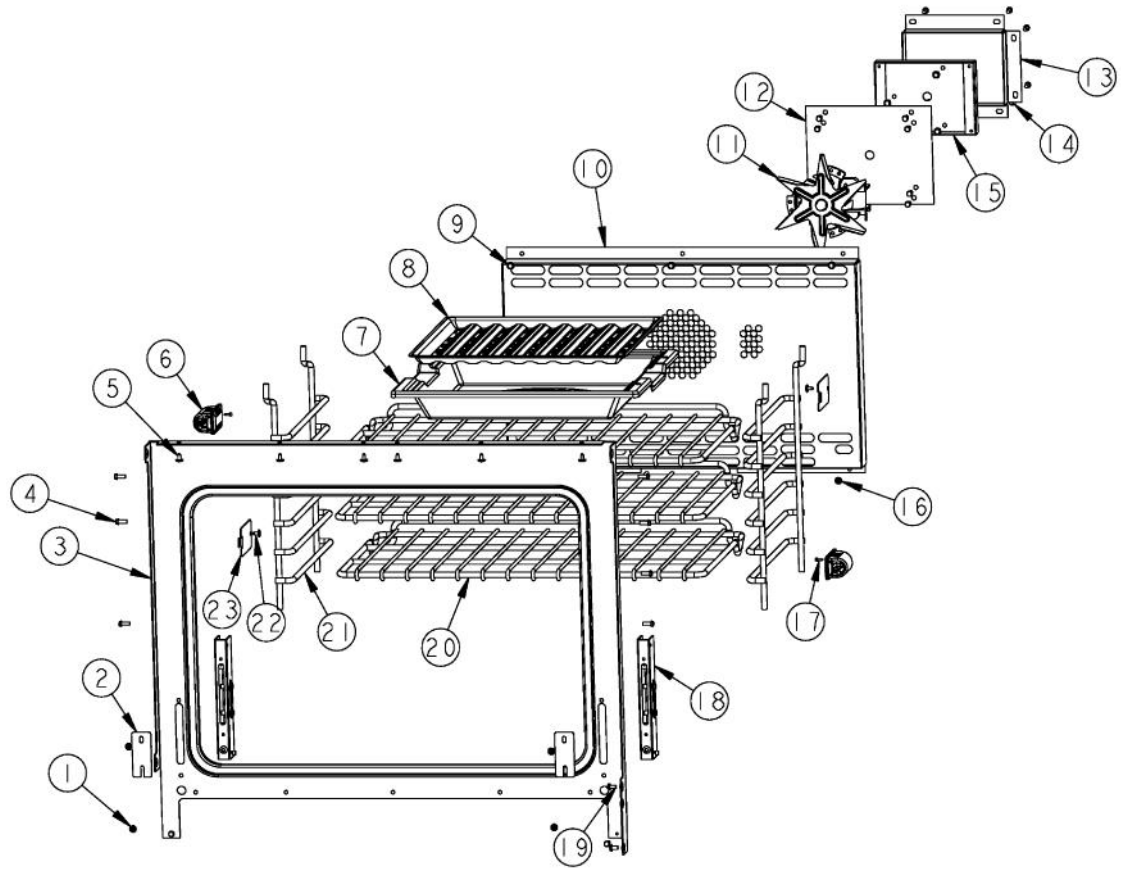
Ref #	Part Number	Qty.	Description
1	PB040190 002513-000		90 DEGREE ORIFICE FITTING NO.50 NAT 90 DEGREE ORIFICE FITTING NO.57 LP
2	000958-000		GRIDDLE ELBOW HOLDER
3	PDB050074		GRIDDLE/GRILL BURNER
4	PD020004		10X3/8PH.HD.TYPE 25 REPL PD040125
5	PB040288		SMOKER BURNER IGNITER
6	A20010657		GRIDDLE BOX FLANGE
7	A1007861		GRIDDLE VENTURI COVER IC36
8	00972-000		GRIDDLE BOX
9	PE050206		RTD THERMOSTAT PROBE
10	000971-000		RTD GRIDDLE SHIELD
11	000970-000		GRIDDLE MTG BRKT



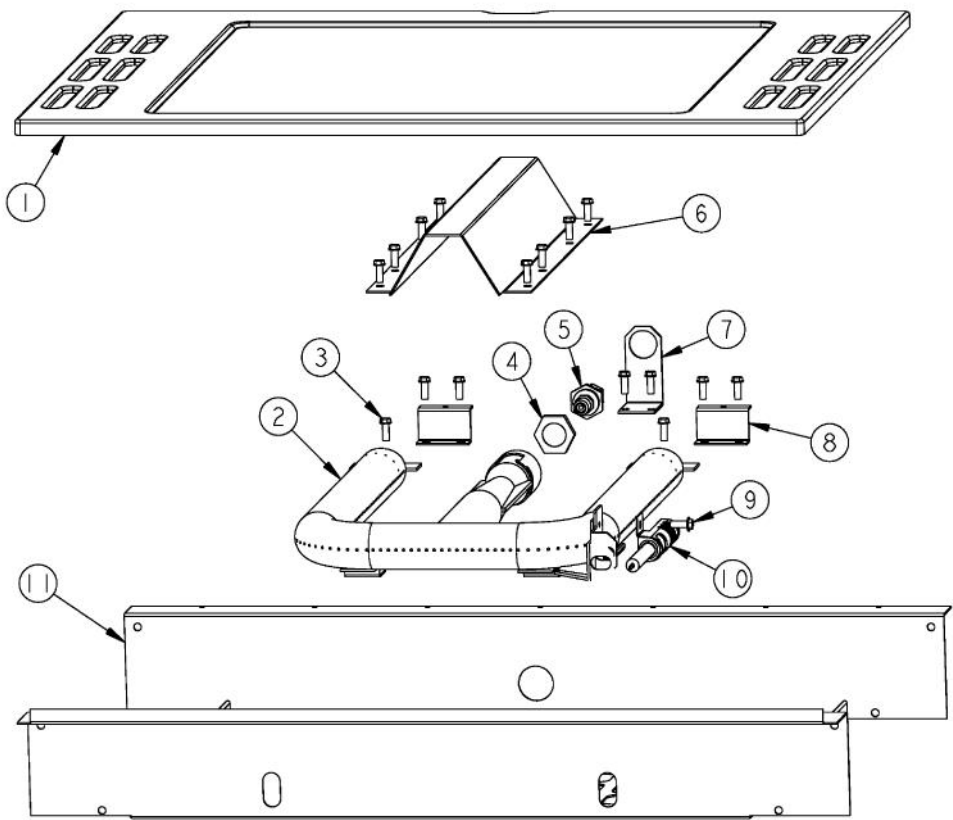
Ref #	Part Number	Qty.	Description
1	G30013336		48 DRIP TRAY ASSY. 6Q &4GQ
2	PD040028		BUSHING(.194ID/.750OD/.750LONG)
3	G30010697		DRIP TRAY HANDLE ASSY 48
	G93011461PVD		DRIP TRAY HANDLE ASSY 48 PVD
4	PB080061		GREASE PAN
5	PD040004		GROMMET BUMPER
6	A20010693		DRIP TRAY HANDLE BACK 48
7	PD020079		NO.10 X 1 1/4 PH. PAN HD. T(A) NYLOK



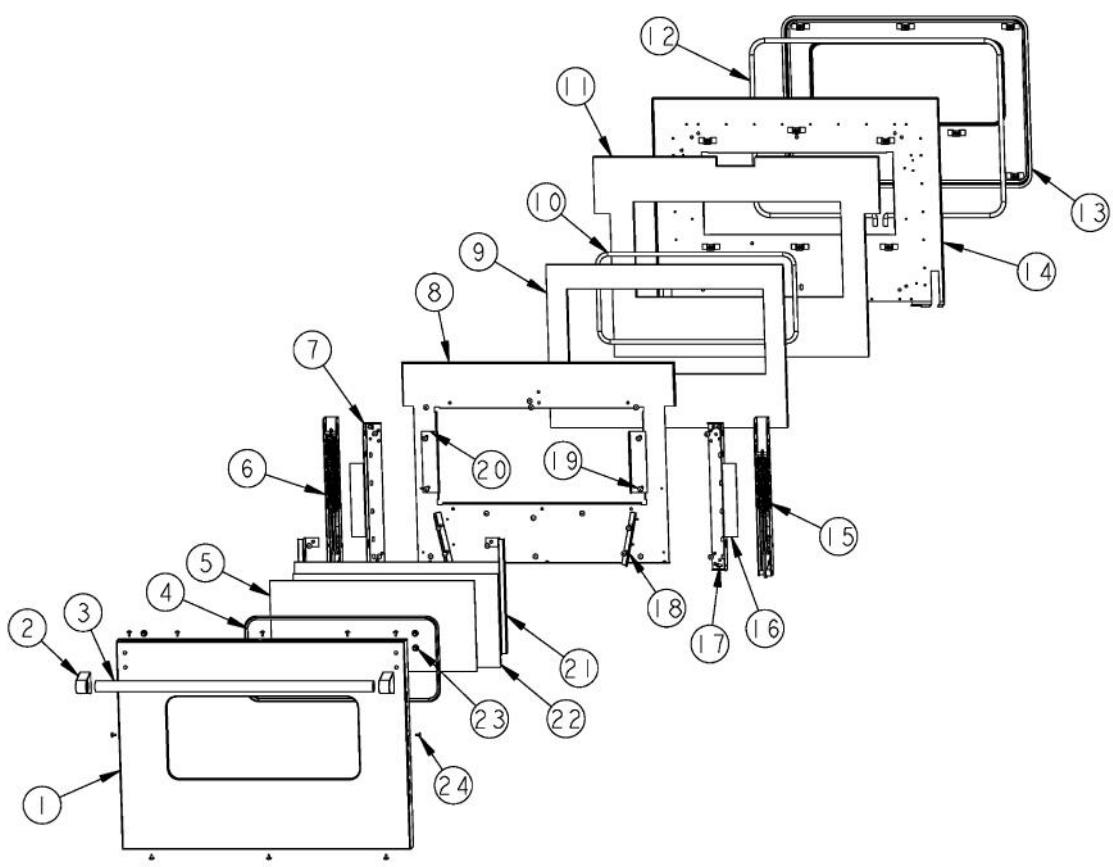
Ref #	Part Number	Qty.	Description
1	PD030018		PALNUT - 3/4-16
2	PB040040		ORIFICE-IR BURNER (VGSC)
	PB040027		IR BUR.SPUD ORF. - NO.56 LP
3	PB040178		90 DEGREE ORIFICE FITTING (VGSC306)
4	B2005589		REAR BROILER BRACKET
5	PD020048		NO.10 X 1/2 TEK 410 SS SCREW
6	PD020060		10 X 1/2 (5/16)HEX WSHR HD.(T)A
7	001348-000		BROIL INSULATION RETAINER
8	PB040171		BROIL IGNITION ELECTRODE
9	PE050206		RTD THERMOSTAT PROBE
10	B2001448		IR BROIL SUPT (FRONT)
11	G3001876		IR BURNER ASSY (VGSC/RC) N/S



Ref #	Part Number	Qty.	Description
1	003083-000		NO.8-18 X 1/2 PHIL FLAT TOP TRUSS HD AB SCREW
2	B1007913		HINGE CLIP (DESIGNER TIME PIECE)
3	000991-000		FRONT FRAME 48 RH WELD ASSY
4	PD020060		10 X 1/2 (5/16)HEX WSHER HD.(T)A
5	PD020032		SRW-8(A)X3/8PH.WFR HD 7/16DIAXNICL
6	PE050238		120 VOLT SIDE HALOGEN LIGHT
7	E9107933		BROILER PAN
8	E9107934		BROILER PAN INSERT
9	PD020048		NO.10 X 1/2 TEK 410 SS SCREW
10	G9104482		CONVECTION FAN COVER ASSY (VGSC306)
11	PE050057		CONVECTION FAN (VGSC306)
12	A1002596		CONVECTION FAN COVER (VDSC)
13	A2008467		INSULATION SHIELD
14	PD020010		10 X 3/8 GREEN GROUNDING SCREW
15	A2002595		CONVECTION FAN BOX (VDSC)
16	M0210443		SCREW-E SM
17	PD020013		TYPE AB NO.6 X 3/8 PH PAN HD. SMS
18	PC020295		HINGE RECEIVER ASSEMBLY
19	PD020004		10X3/8PH.HD.TYPE 25 REPL PD040125
20	PB060044		OVEN RK VDSC30/48RH REPL PB060019
21	PB060030		RACK SUPT REPL PB060010
22	PD020063		SCREW-NO.8(A) X 3/8PH WFR HD/BK OXID
23	E91012614		LIGHT HOLE COVER

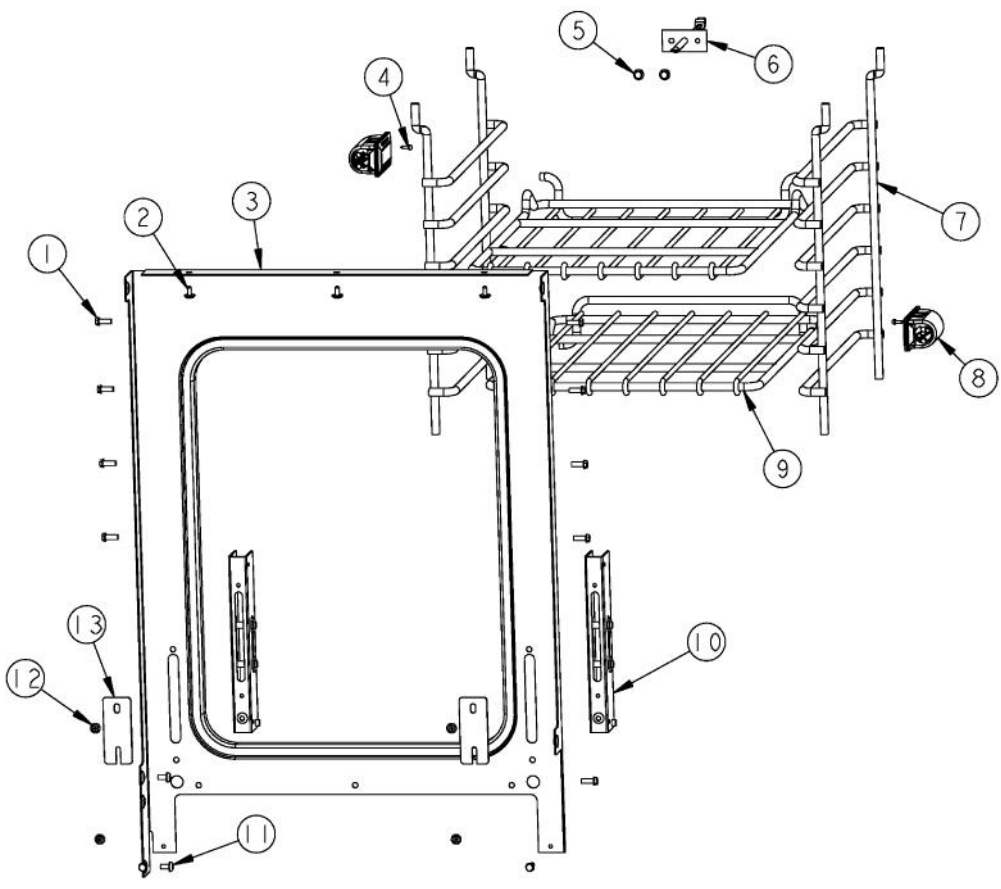


Ref #	Part Number	Qty.	Description
1	G9104438		OVEN BOTTOM PAN ASSY (VGSC306)
NI	A2004439	1	OVEN BOTTOM SHIELD (VGSC306)
2	PB050059		BAKE BURNER - NATURAL GAS
	000640-000		BAKE BURNER - LP
3	PD020060		10 X 1/2 (5/16)HEX WSHR HD.(T)A
4	PD030018		PALNUT - 3/4-16
5	PB040265		BULKHEAD ORIFICE FITTING
	PB040246		SUB TO PB040035 - NO.51 ORIFICE HOOD
6	A2004424		BURNER COVER (VGSC306)
7	A2004434		ORIFICE BRACKET (VGSC306)
8	B2004415		BURNER BRACKET (VGSC306)
9	PD020048		NO.10 X 1/2 TEK 410 SS SCREW
10	PB040170		BAKE IGNITION ELECTRODE
11	A20010137		30 CAVITY BOTTOM/48 RH BOTTOM

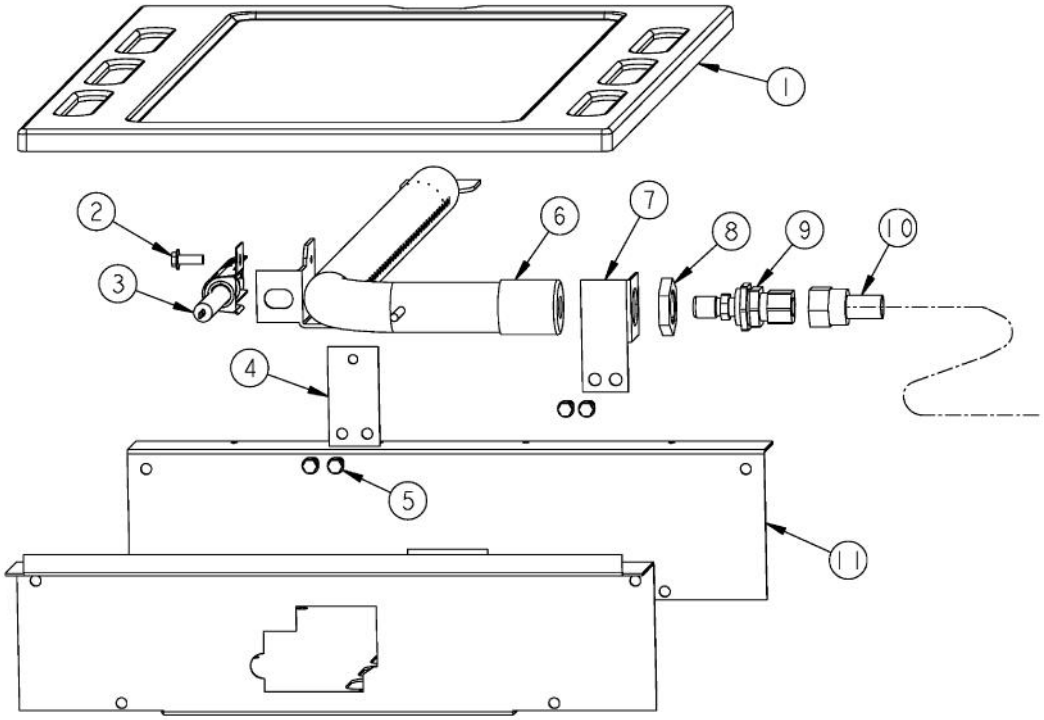


Ref #	Part Number	Qty.	Description
1	B2002528		O/S DOOR PANEL RH XSSX (VDSC48)
	C9002528AL		O/S DOOR PANEL-RH XALX (VDSC48)
	C9002528BK		O/S DOOR PANEL-RH XBKX (VDSC48)
	C9002528BT		O/S DOOR PANEL-RH XBTX (VDSC48)
	C9002528BU		O/S DOOR PANEL-RH XBUX (VDSC48)
	C9002528CB		O/S DOOR PANEL-RH XCBX (VDSC48)
	C9002528EP		O/S DOOR PANEL-RH XEPX (VDSC48)
	C9002528FG		O/S DOOR PANEL-RH XFGX (VDSC48)
	C9002528GG		O/S DOOR PANEL-RH XGGX (VDSC48)
	C9002528LE		O/S DOOR PANEL-RH XLEX (VDSC48)
	C9002528MJ		O/S DOOR PANEL-RH XMJX (VDSC48)
	C9002528SG		O/S DOOR PANEL-RH XSGX (VDSC48)
	C9002528VB		O/S DOOR PANEL-RH XVBX (VDSC48)
	C9002528WH		O/S DOOR PANEL-RH XWHX (VDSC48)
2	PE030001		BRACKET, DOOR, HANDLE
	PE030001PVD		END CAP DOOR HANDLE XBR
3	PE030005		DOOR HANDLE - VGSC30/RC60/RC48RH
	PE030012PVD		DOOR HANDLE - RH - (30/48) PVD
4	PE060031		J-MOLD (LARGE WINDOW)
	PE060045		J-MOLD (LARGE WINDOW) XBRX
5	PE060030		GLASS-OUTER DOOR BK SCREENED,TEMP
6	PC020223		DOOR HINGE (LONG SPRING) NSF
7	000932-000		DOOR HINGE BRACKET
8	A20015315		DOOR INSULATION RETAINER
9	PB070145		SUPERWOOL 5 X 24 X 3'
10	PB070150		FIBERGLASS ROPE, 3/8 DIA.
11	PB070145		SUPERWOOL 5 X 24 X 3'
12	000042-000		30 DOOR GASKET
13	001142-000		PLUG, DOOR, ASM, PORCELAIN
14	001141-000		LINER, DOOR, ASM, PORCELAIN
15	PC020222		DOOR HINGE (SHORT SPRING) NSF
16	000075-000		DOOR HINGE BRACKET
17	PD020004		10X3/8PH.HD.TYPE 25 REPL PD040125
18	A2002497		DOOR GUIDE ANGLE VDSC
19	PD020002		10 X 1/2 PH.TR.HD.SMS.
20	A2002189		DOOR GLASS STANDOFF (VDSC)
21	A2002367		DOOR GLASS BRKT
22	PE060039		GLASS-HEAT TREATED (HB2) VDSC
23	PD010019		BLT-1/4-20X3/8HEX WASHER SERATED
24	PD020032		SRW-8(A)X3/8PH.WFR HD 7/16DIAXNICL
NI	000938-007		COMPLETE DOOR ASSY. - AL
	000938-107		COMPLETE DOOR ASSY. - ALBR
	000938-002		COMPLETE DOOR ASSY. - BK
	000938-102		COMPLETE DOOR ASSY. - BKBR
	000938-003		COMPLETE DOOR ASSY. - BT
	000938-103		COMPLETE DOOR ASSY. - BTBR
	000938-008		COMPLETE DOOR ASSY. - BU
	000938-108		COMPLETE DOOR ASSY. - BUBR
	000938-013		COMPLETE DOOR ASSY. - CB
	000938-113		COMPLETE DOOR ASSY. - CBBR
	000938-014		COMPLETE DOOR ASSY. - EP
	000938-114		COMPLETE DOOR ASSY. - EPBR
	000938-011		COMPLETE DOOR ASSY. - FG
	000938-111		COMPLETE DOOR ASSY. - FGBR
	000938-005		COMPLETE DOOR ASSY. - GG
	000938-105		COMPLETE DOOR ASSY. - GGBR
	000938-009		COMPLETE DOOR ASSY. - LE
	000938-109		COMPLETE DOOR ASSY. - LEBR
	000938-010		COMPLETE DOOR ASSY. - MJ
	000938-110		COMPLETE DOOR ASSY. - MJBR

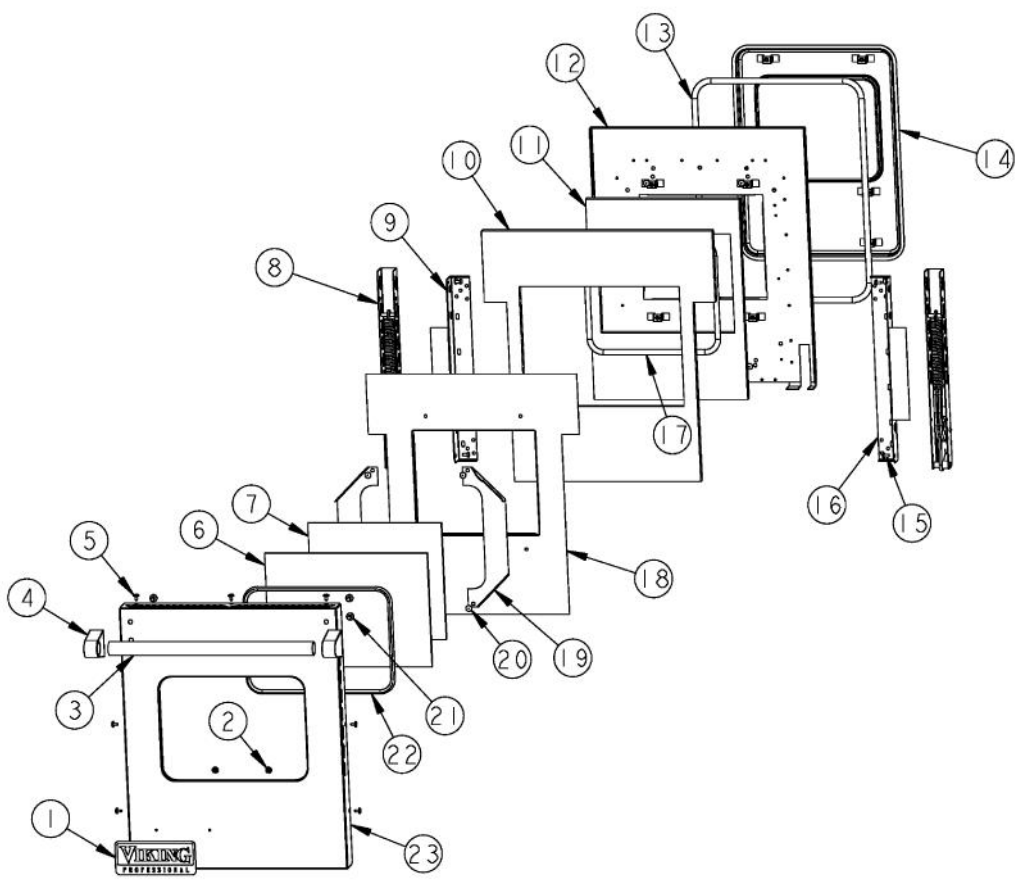
Ref #	Part Number	Qty.	Description
	000938-110		COMPLETE DOOR ASSY. - MJBR
	000938-004		COMPLETE DOOR ASSY. - SG
	000938-104		COMPLETE DOOR ASSY. - SGBR
	000938-000		DOOR, ASSEMBLY 30
	000938-100		DOOR ASSEMBLY, 48 RH (BR)
	000938-012		COMPLETE DOOR ASSY. - VB
	000938-112		COMPLETE DOOR ASSY. - VBRR
	000938-006		COMPLETE DOOR ASSY. - WH
	000938-106		COMPLETE DOOR ASSY. - WHBR



Ref #	Part Number	Qty.	Description
1	PD020060		10 X 1/2 (5/16)HEX WSHER HD.(T)A
2	PD020032		SRW-8(A)X3/8PH.WFR HD 7/16DIAXNICL
3	001014-000		FRONT FRAME 48 LH WELD ASSY
4	PD020013		TYPE AB NO.6 X 3/8 PH PAN HD. SMS
5	PD020048		NO.10 X 1/2 TEK 410 SS SCREW
6	PE050206		RTD THERMOSTAT PROBE
7	PB060030		RACK SUPT REPL PB060010
8	PE050238		120 VOLT SIDE HALOGEN LIGHT
9	PB060046		OVEN RK VDSC48-LH REPL PB060023
10	PC020295		HINGE RECEIVER ASSEMBLY
11	PD020004		10X3/8PH.HD.TYPE 25 REPL PD040125
12	003083-000		NO.8-18 X 1/2 PHIL FLAT TOP TRUSS HD AB SCREW
13	B1007913		HINGE CLIP (DESIGNER TIME PIECE)

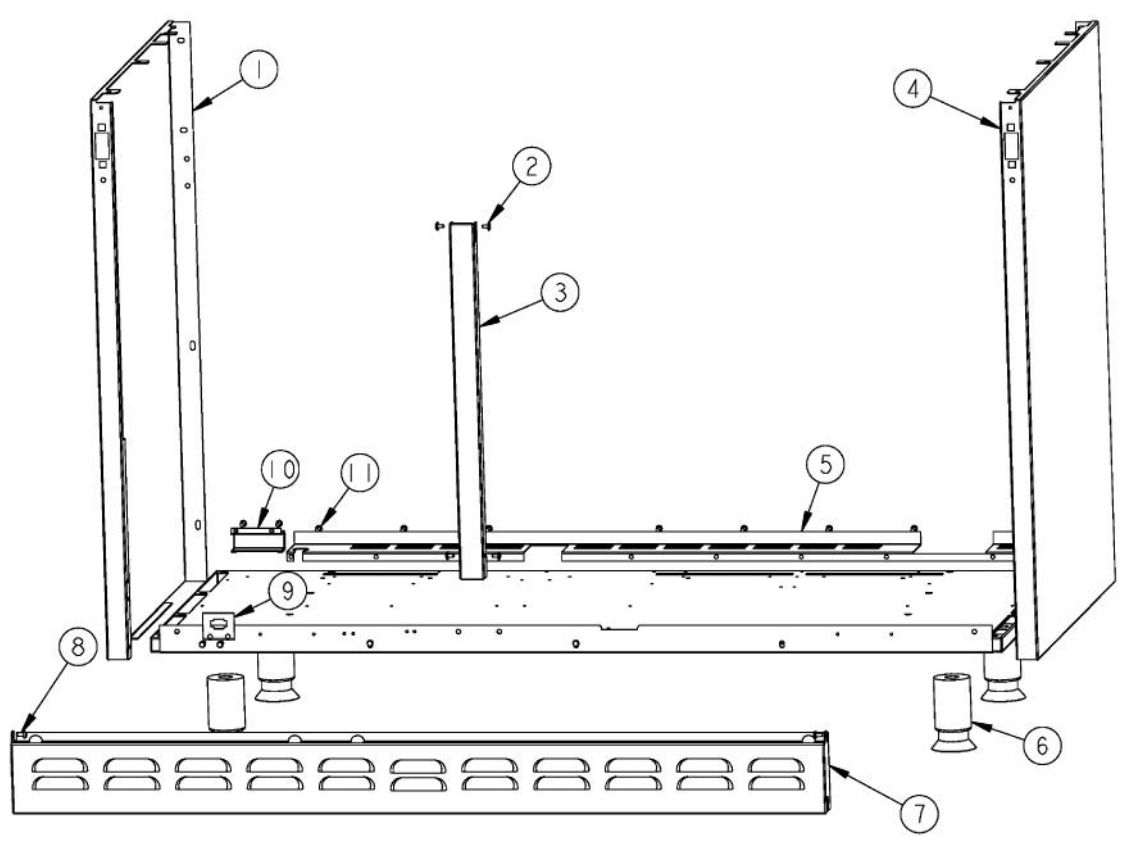


Ref #	Part Number	Qty.	Description
1	G3205588		OVEN BOTTOM PAN ASSY 48LH
2	PD020048		NO.10 X 1/2 TEK 410 SS SCREW
3	PB040273		BAKE IGNITION ELECTRODE
4	A1005571		BURNER MOUNTING BRACKET
5	PD020060		10 X 1/2 (5/16)HEX WSHR HD.(T)A
6	PB050080		VGSC486 LH OVEN BURNER
	000642-000		VGSC486 LH OVEN BURNER - LP
7	A2005579		ORIFICE BRACKET 48LH
8	PD030018		PALNUT - 3/4-16
9	PB040229		BULKHEAD FITTING (VGSC486LH)
	PB040237		SUB TO PB040062 - NO.56 ORIFICE HOOD
10	PB020136		44 3/8 S.S. FLEX TUBING T6-44
11	A20010139		48 LH CAVITY BOTTOM



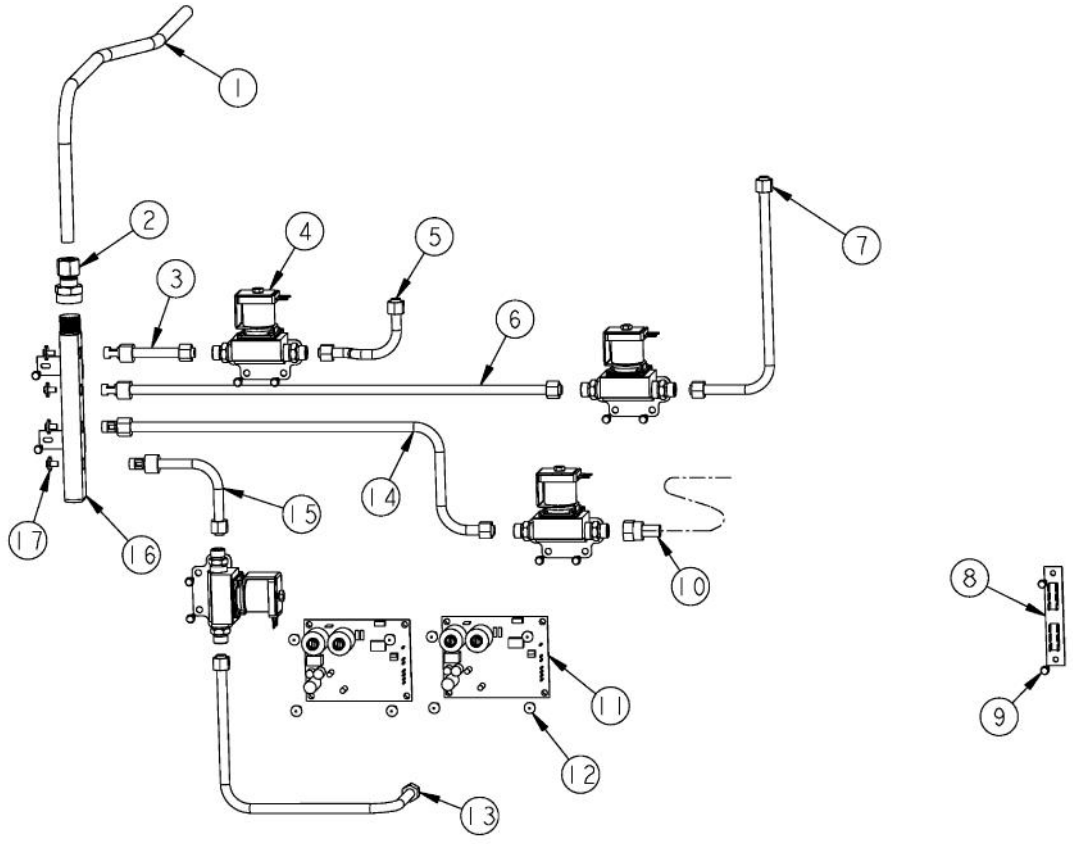
Ref #	Part Number	Qty.	Description
1	PE010030		LOGO, 6, PRO, BK
	PE010068		LOGO, 6, PRO, BK/BR
	PE010031		LOGO 6 (VGRC) XBK/WHX
	PE010076		LOGO 6 (VGRC) XBR/WHX
2	PD030006		CAPPED WASHER PAL NUT
3	PE030008		DOOR HANDLE - LH 48VGRC
	PE030014		HANDLE - BR
4	PE030001		BRACKET, DOOR, HANDLE
	PE030001PVD		END CAP DOOR HANDLE XBR
5	PD020032		SRW-8(A)X3/8PH.WFR HD 7/16DIAXNICL
6	PE060049		GLASS LH XTEX DF48DOOR
7	PE060032		GLASS (HEAT BARRIER) LH DF48DOOR
8	PC020222		DOOR HINGE (SHORT SPRING) NSF
9	000932-000		DOOR HINGE BRACKET
10	PB070145		SUPERWOOL 5 X 24 X 3'
11	PB070145		SUPERWOOL 5 X 24 X 3'
12	001144-000		LINER, DOOR, PORCELAIN 48 LH
13	000080-000		48 LH DOOR GASKET
14	001145-000		PLUG, DOOR, PORCELAIN, 48 LH
15	PD020004		10X3/8PH.HD.TYPE 25 REPL PD040125
16	000075-000		DOOR HINGE BRACKET
17	PB070150		FIBERGLASS ROPE, 3/8 DIA.
18	000939-000		INNER DOOR HEAT SINK
19	E9102668		WINDOW BRKT (O/S DOOR GLASS)
20	PD020002		10 X 1/2 PH.TR.HD.SMS.
21	PD010019		BLT-1/4-20X3/8HEX WASHER SERATED
22	PE060046		J-MOLD LH SS (DF48 DOOR)
	PE060048		J-MOLD LH XBRX (DF48 DOOR)
23	B2002504		O/S DOOR PANEL LH XSSX (VDSC48)
	C9002504AL		O/S DOOR PANEL-LH XALX (VDSC48)
	C9002504BK		O/S DOOR PANEL-LH XBKX (VDSC48)
	C9002504BT		O/S DOOR PANEL-LH XBTX (VDSC48)
	C9002504BU		O/S DOOR PANEL-LH XBUX (VDSC48)
	C9002504CB		O/S DOOR PANEL-LH XCBX (VDSC48)
	C9002504EP		O/S DOOR PANEL-LH XEPX (VDSC48)
	C9002504FG		O/S DOOR PANEL-LH XFGX (VDSC48)
	C9002504GG		O/S DOOR PANEL-LH XGGX (VDSC48)
	C9002504LE		O/S DOOR PANEL-LH XLEX (VDSC48)
	C9002504MJ		O/S DOOR PANEL-LH XMJX (VDSC48)
	C9002504SG		O/S DOOR PANEL-SG XSGX (VDSC48)
	C9002504VB		O/S DOOR PANEL-LHXVBX (VDSC48)
	C9002504WH		O/S DOOR PANEL-LH XWHX (VDSC48)
NI	000946-007		COMPLETE DOOR ASSY. - AL
	000946-107		COMPLETE DOOR ASSY. - ALBR
	000946-002		COMPLETE DOOR ASSY. - BK
	000946-102		COMPLETE DOOR ASSY. - BKBR
	000946-003		COMPLETE DOOR ASSY. - BT
	000946-103		COMPLETE DOOR ASSY. - BTBR
	000946-008		COMPLETE DOOR ASSY. - BU
	000946-108		COMPLETE DOOR ASSY. - BUBR
	000946-013		COMPLETE DOOR ASSY. - CB
	000946-113		COMPLETE DOOR ASSY. - CBBR
	000946-014		COMPLETE DOOR ASSY. - EP
	000946-114		COMPLETE DOOR ASSY. - EPBR
	000946-011		COMPLETE DOOR ASSY. - FG
	000946-111		COMPLETE DOOR ASSY. - FGBR
	000946-005		COMPLETE DOOR ASSY. - GG
	000946-105		COMPLETE DOOR ASSY. - GGBR
	000946-009		COMPLETE DOOR ASSY. - LE
	000946-109		COMPLETE DOOR ASSY. - LEBR

Ref #	Part Number	Qty.	Description
	000946-109		COMPLETE DOOR ASSY. - LEBR
	000946-010		COMPLETE DOOR ASSY. - MJ
	000946-110		COMPLETE DOOR ASSY. - MJBR
	000946-004		COMPLETE DOOR ASSY. - SG
	000946-104		COMPLETE DOOR ASSY. - SGBR
	000946-000		DOOR ASSY 48 LH
	000946-100		DOOR ASSEMBLY, 48 LH (BR)
	000946-012		COMPLETE DOOR ASSY. - VB
	000946-112		COMPLETE DOOR ASSY. - VBBR
	000946-006		COMPLETE DOOR ASSY. - WH
	000946-106		COMPLETE DOOR ASSY. - WHBR

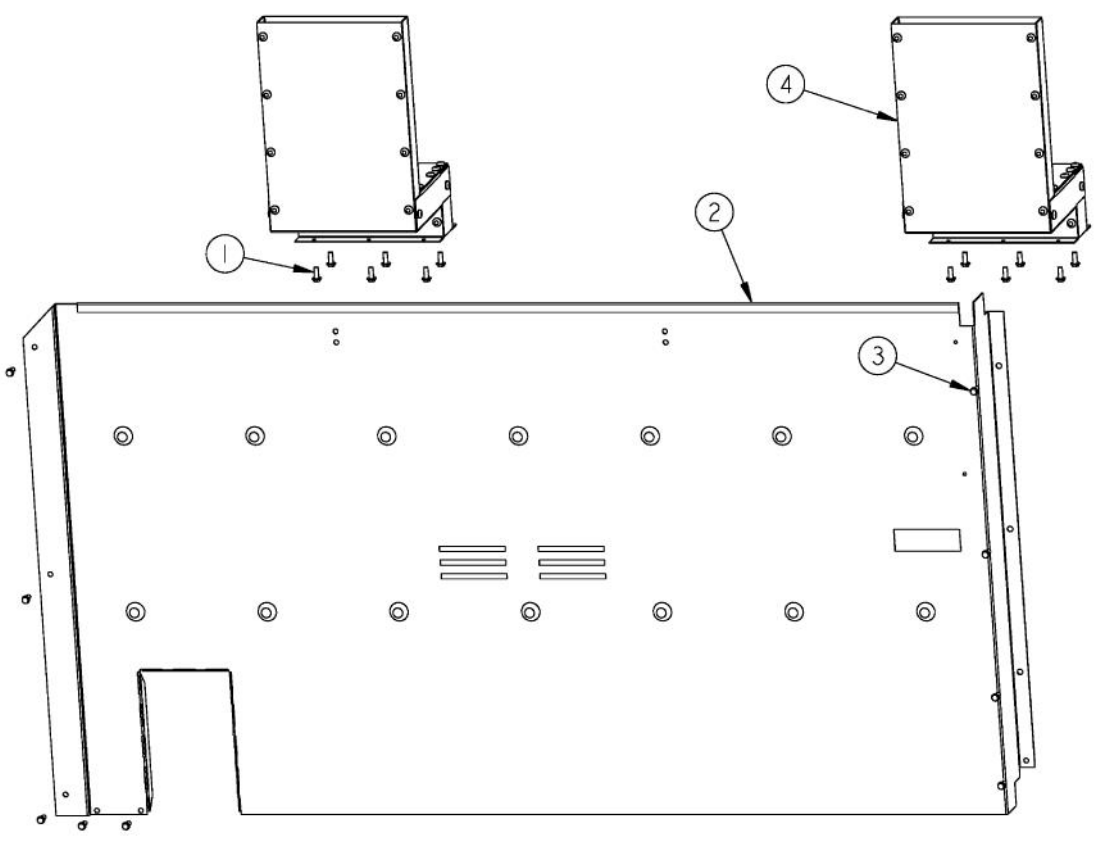


Ref #	Part Number	Qty.	Description
1	003349-007		LH RANGE BODY PANEL (AL)
	003349-002		LH RANGE BODY PANEL (BK)
	003349-003		LH RANGE BODY PANEL (BT)
	003349-008		LH RANGE BODY PANEL (BU)
	003349-013		LH RANGE BODY PANEL (CB)
	003349-014		LH RANGE BODY PANEL (EP)
	003349-011		LH RANGE BODY PANEL (FG)
	003349-005		LH RANGE BODY PANEL (GG)
	003349-009		LH RANGE BODY PANEL (LE)
	003349-010		LH RANGE BODY PANEL (MJ)
	003349-004		LH RANGE BODY PANEL (SG)
	003349-000		LH RANGE BODY PANEL
	003349-012		LH RANGE BODY PANEL (VB)
	003349-006		LH RANGE BODY PANEL (WH)
2	PD020032		SRW-8(A)X3/8PH.WFR HD 7/16DIAXNICL
3	B2005683		CENTER TRIM
	C9005683AL		CENTER TRIM XALX
	C9005683BK		CENTER TRIM XBKX
	C9005683BT		CENTER TRIM XBTX
	C9005683BU		CENTER TRIM XBUX
	C9005683CB		CENTER TRIM XCBX
	C9005683EP		CENTER TRIM XEPX
	C9005683FG		CENTER TRIM XFGX
	C9005683GG		CENTER TRIM XGGX
	C9005683LE		CENTER TRIM XLEX
	C9005683MJ		CENTER TRIM XMJX
	C9005683SG		CENTER TRIM XSGX
	C9005683VB		CENTER TRIM XVBX
	C9005683WH		CENTER TRIM XWHX
4	003348-007		O/S BODY PANEL - RH (AL)
	003348-002		O/S BODY PANEL - RH (BK)
	003348-003		O/S BODY PANEL - RH (BT)
	003348-008		O/S BODY PANEL - RH (BU)
	003348-013		O/S BODY PANEL - RH (CB)
	003348-014		O/S BODY PANEL - RH (EP)
	003348-011		O/S BODY PANEL - RH (FG)
	003348-005		O/S BODY PANEL - RH (GG)
	003348-009		O/S BODY PANEL - RH (LE)
	003348-010		O/S BODY PANEL - RH (MJ)
	003348-004		O/S BODY PANEL - RH (SG)
	003348-000		RH RANGE BODY PANEL
	003348-012		O/S BODY PANEL - RH (VB)
	003348-006		O/S BODY PANEL - RH (WH)
5	A2005584		O/S OVEN BACK BOTTOM
6	PC030017		4 LEG ASSY
7	B2001241		LWR ACC. PNL - RPLCS B2001973
	C9001241AL		LWR ACC PNL - RPLCS C9001973AL
	C9001241BK		LWR ACC PNL - RPLCS C9001973BK
	C9001241BT		LWR ACC PNL - RPLCS C9001973BT
	C9001241BU		LWR ACC PNL - RPLCS C9001973BU
	C9001241CB		LWR ACC PNL - RPLCS C9001973CB
	C9001241EP		LWR ACC PNL - RPLCS C9001973EP
	C9001241FG		LWR ACC PNL - RPLCS C9001973FG
	C9001241GG		LWR ACC PNL - RPLCS C9001973GG
	C9001241LE		LWR ACC PNL - RPLCS C9001973LE
	C9001241MJ		LWR ACC PNL - RPLCS C9001973MJ
	C9001241SG		LWR ACC PNL - RPLCS C9001973SG
	C9001241VB		LWR ACC PNL - RPLCS C9001973VB
	C9001241WH		LWR ACC PNL - RPLCS C9001973WH
8	PD020004		10X3/8PH.HD.TYPE 25 REPL PD040125

Ref #	Part Number	Qty.	Description
8	PD020004		10X3/8PH.HD.TYPE 25 REPL PD040125
9	003439-000		POWER DISCONNECT BRACKET
10	A2004481		WIRE CHANNEL RH (VGSC306)
11	PD020060		10 X 1/2 (5/16)HEX WSHER HD.(T)A



Ref #	Part Number	Qty.	Description
1	000927-000		1/2 ALUM TUBING
2	000847-000		1/2 COMP TO 1/2 FEMALE NPT ADAPTER
3	000916-000		3/8 BROIL TUBING
4	003226-000		FJT VALVE - NO NUT/FERRELL
5	000921-000		3/8 ALUM TUBING ELBOW
6	000922-000		3/8 GRIDDLE TUBING
7	000923-000		3/8 GRIDDLE TUBING
8	PE050001		TERMINAL BOARD
9	PD020060		10 X 1/2 (5/16)HEX WSHER HD.(T)A
10	PB020136		44 3/8 S.S. FLEX TUBING T6-44
11	PA020056		TYTRONICS DSI MODULE
12	PD020014		10X3/4 PH TR HD SMS
13	000919-000		3/8 ALUM TUBING
14	000917-000		3/8 TUBING LH BAKE
15	000918-000		3/8 BAKE TUBING
16	000863-000		4 PORT MANIFOLD
17	PD010012		VALVE BOLT 1/4-20 UNC-2B 5/16 M.S.



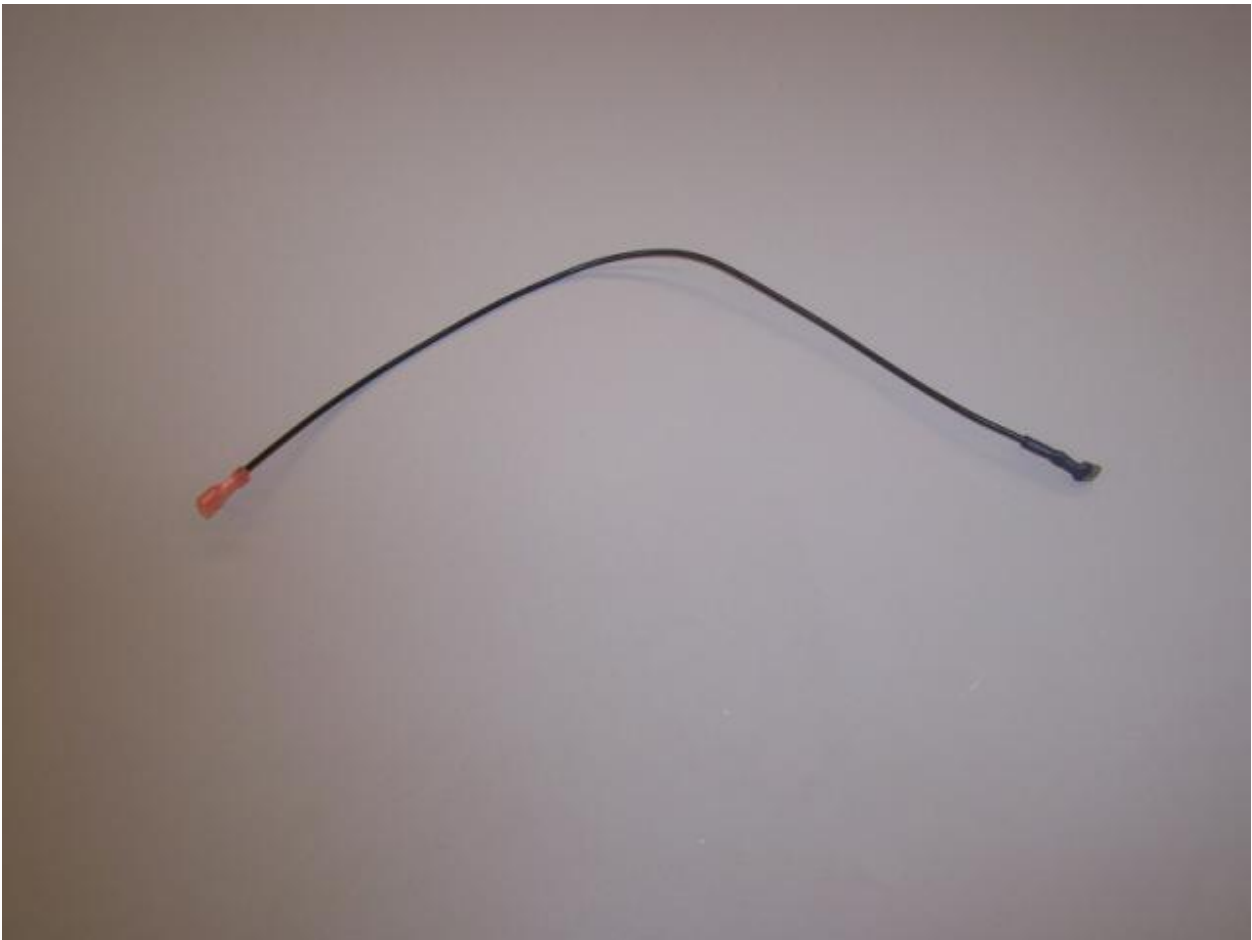
Ref #	Part Number	Qty.	Description
1	PD020048		NO.10 X 1/2 TEK 410 SS SCREW
2	A2005583		48 REAR COVER
3	PD020060		10 X 1/2 (5/16)HEX WSHER HD.(T)A
4	000967-000		FLUE ASSY



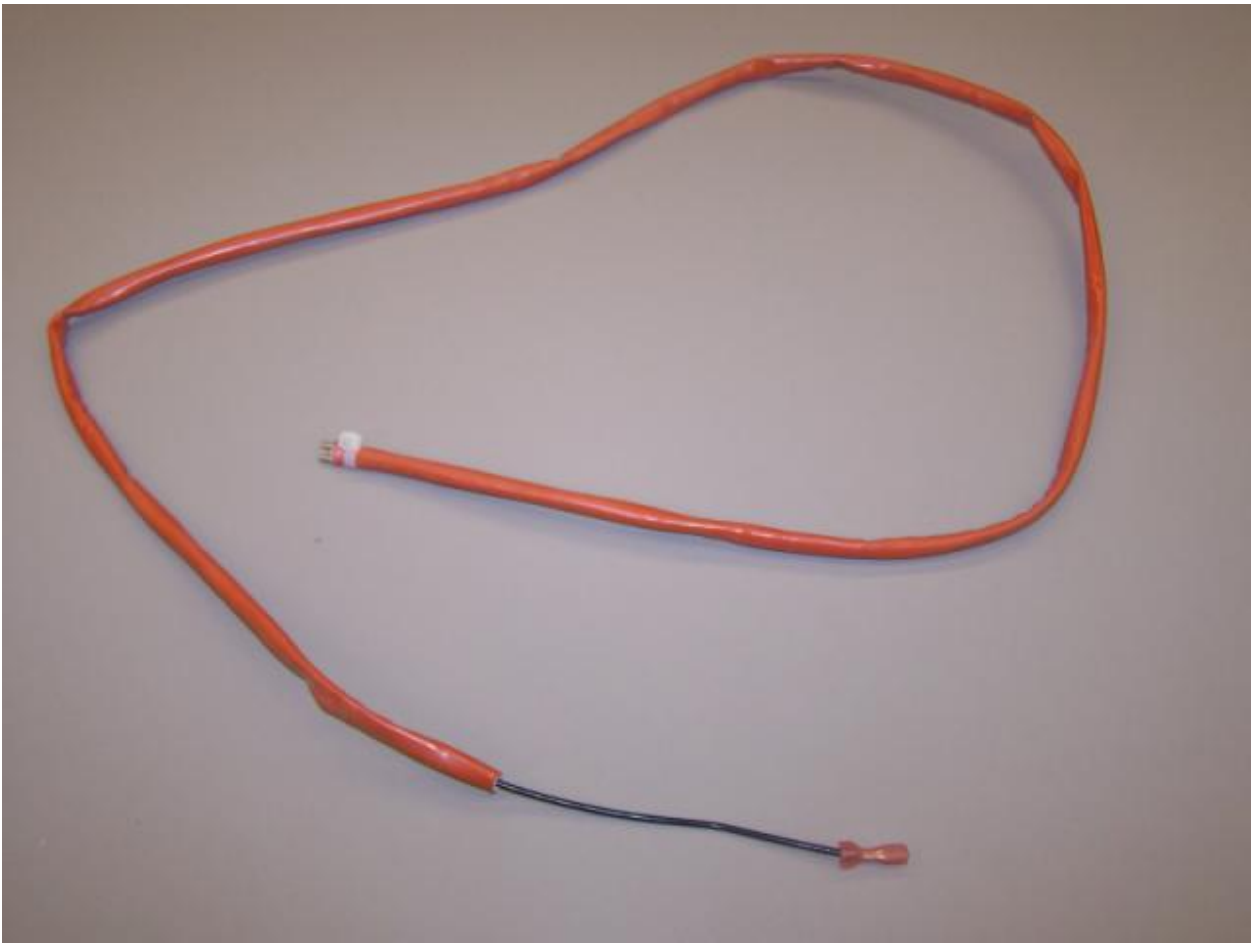
Ref #	Part Number	Qty.	Description
1	G4008493		SUPPLY CORD ASSY- VGSU



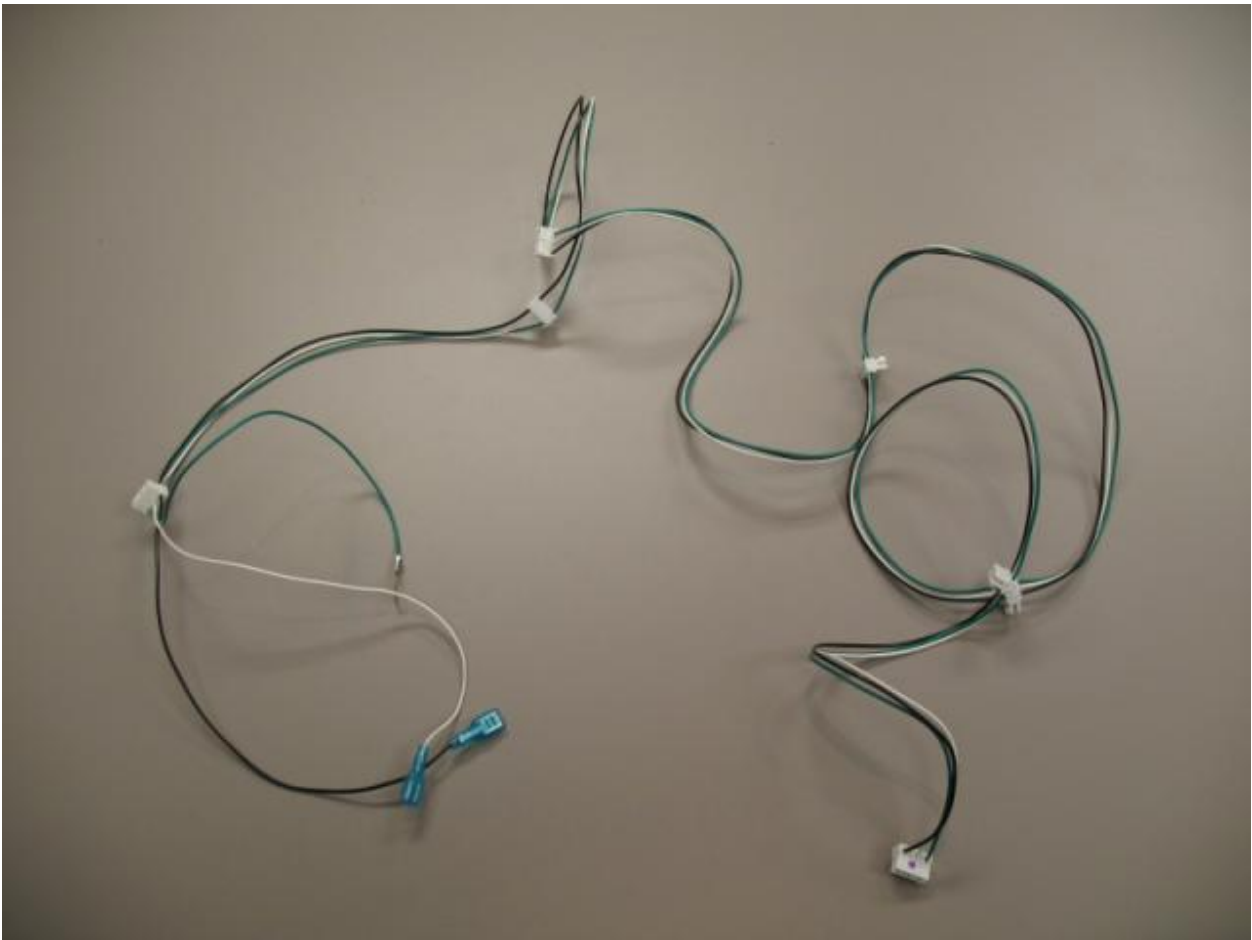
Ref #	Part Number	Qty.	Description
1	PE070245		LIGHT EXTENTION HARNESS (VGSC306) (MAY NOT BE USED ON ALL UNITS)



Ref #	Part Number	Qty.	Description
1	001914-000		WIRE, ASSY, BROIL IGNITOR



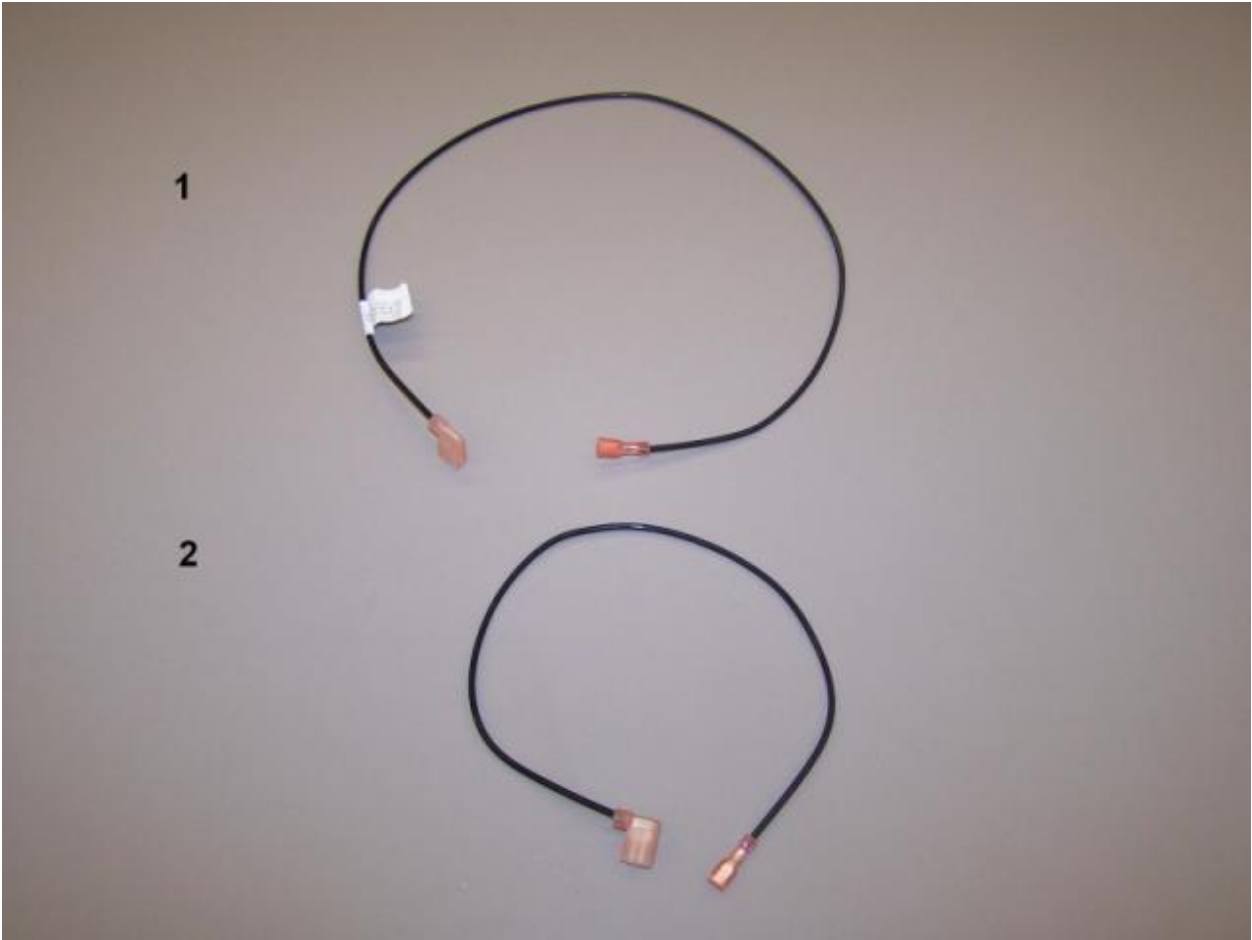
Ref #	Part Number	Qty.	Description
1	003143-000		BAKE IGNITOR WIRE 36



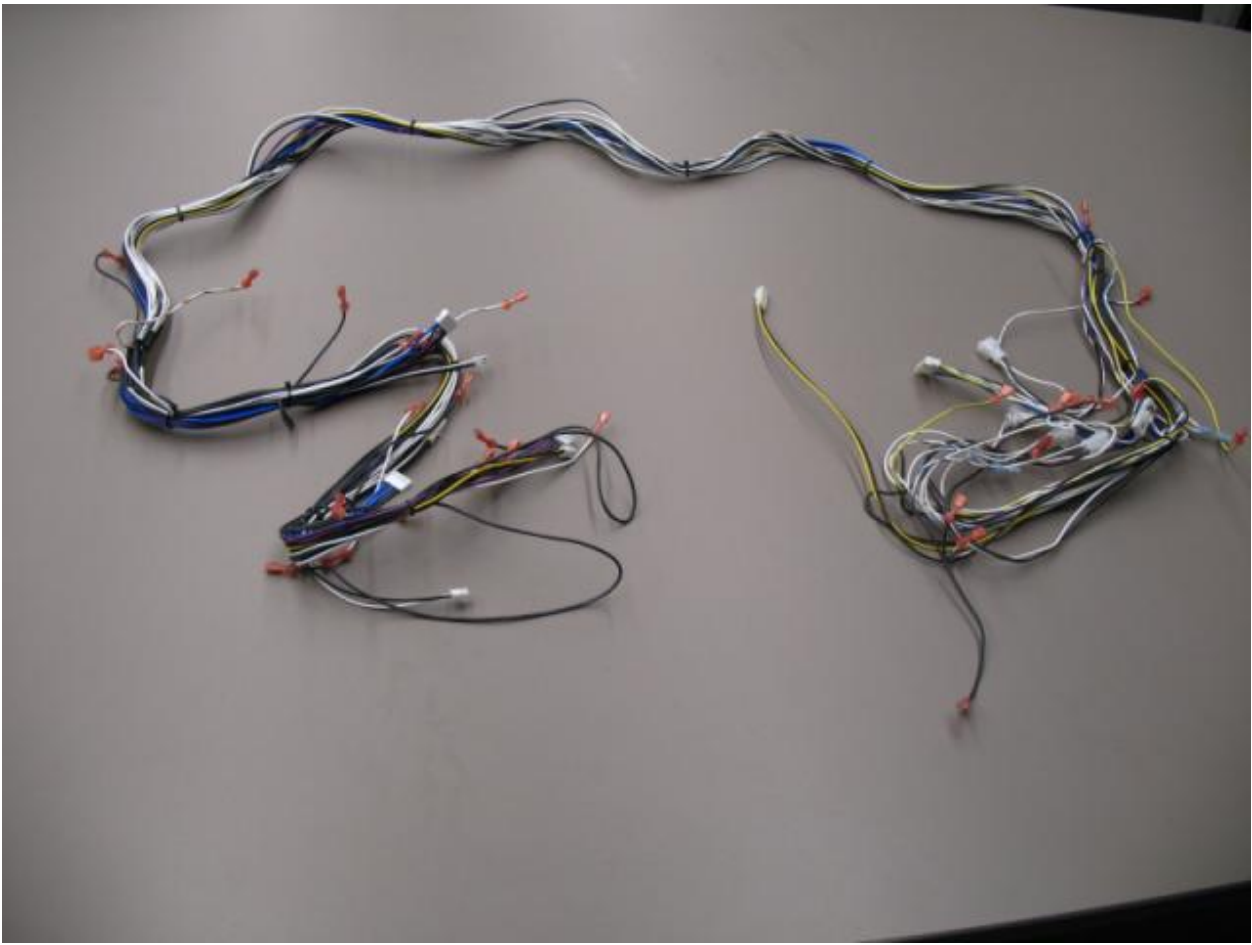
Ref #	Part Number	Qty.	Description
1	PE070890		IRIS HARNESS - 36



Ref #	Part Number	Qty.	Description
1	001754-000		HARNESS POWER DISCONNECT

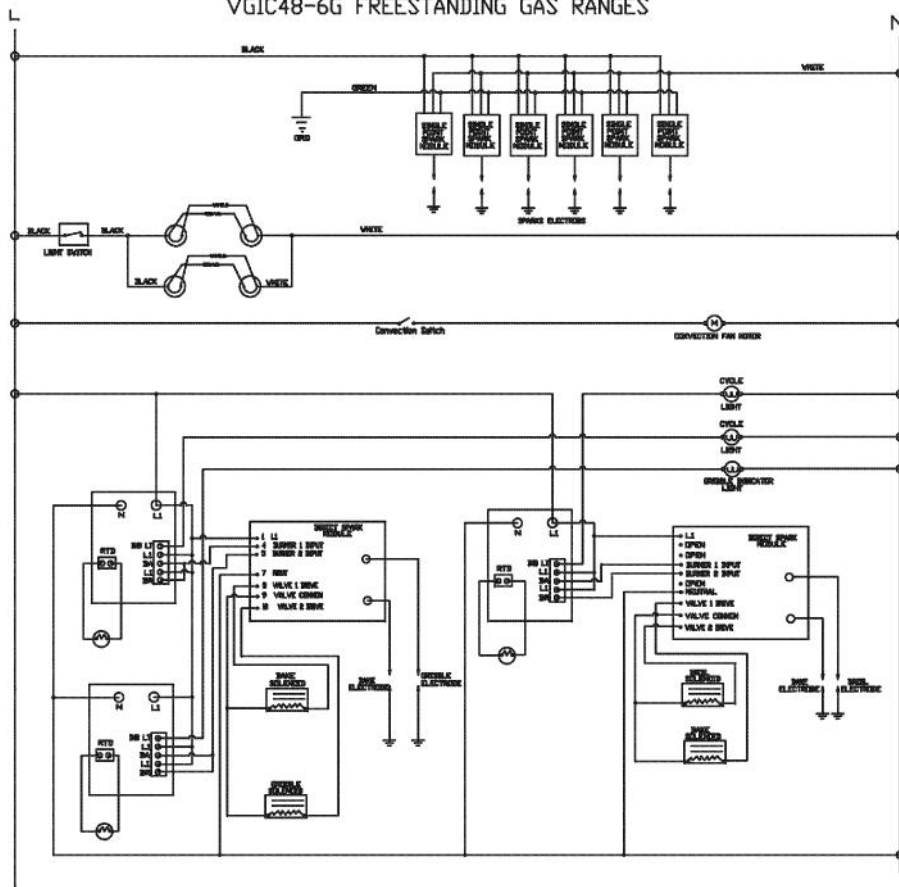


Ref #	Part Number	Qty.	Description
1	000648-000		IRIS IGNITOR WIRE, BACK BURNER
2	000647-000		IRIS IGNITOR WIRE, FRONT BURNER



Ref #	Part Number	Qty.	Description
1	001731-000		HARNESS VGIC364G

WIRING DIAGRAM VGIC48-6G FREESTANDING GAS RANGES



FOR CONNECTION TO THE FACTORY INSTALLED TERMINAL BLOCK USE COPPER OR ALUMINUM CONDUCTORS

WARNING—THIS UNIT MUST BE GROUNDED. SEE INSTALLATION INSTRUCTIONS FOR PROPER GROUNDING PROCEDURES.

CAUTION—LABEL ALL WIRES PRIOR TO DISCONNECTION WHEN SERVICING CONTROLS. WIRING ERRORS CAN CAUSE IMPROPER AND DANGEROUS OPERATION. VERIFY PROPER OPERATION AFTER SERVICING.

NOTE: TRAILERS OR STRIPES WILL BE THE SECOND COLOR IN A COLOR COMBINATION

REFER ONLY TO FEATURES WHICH ARE EQUIPPED WITH THIS UNIT.

Ref #	Part Number	Qty.	Description
-------	-------------	------	-------------
