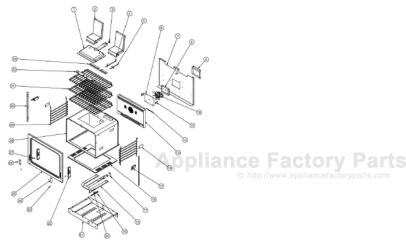


This Owner's Manual is provided and hosted by [Appliance Factory Parts](#).



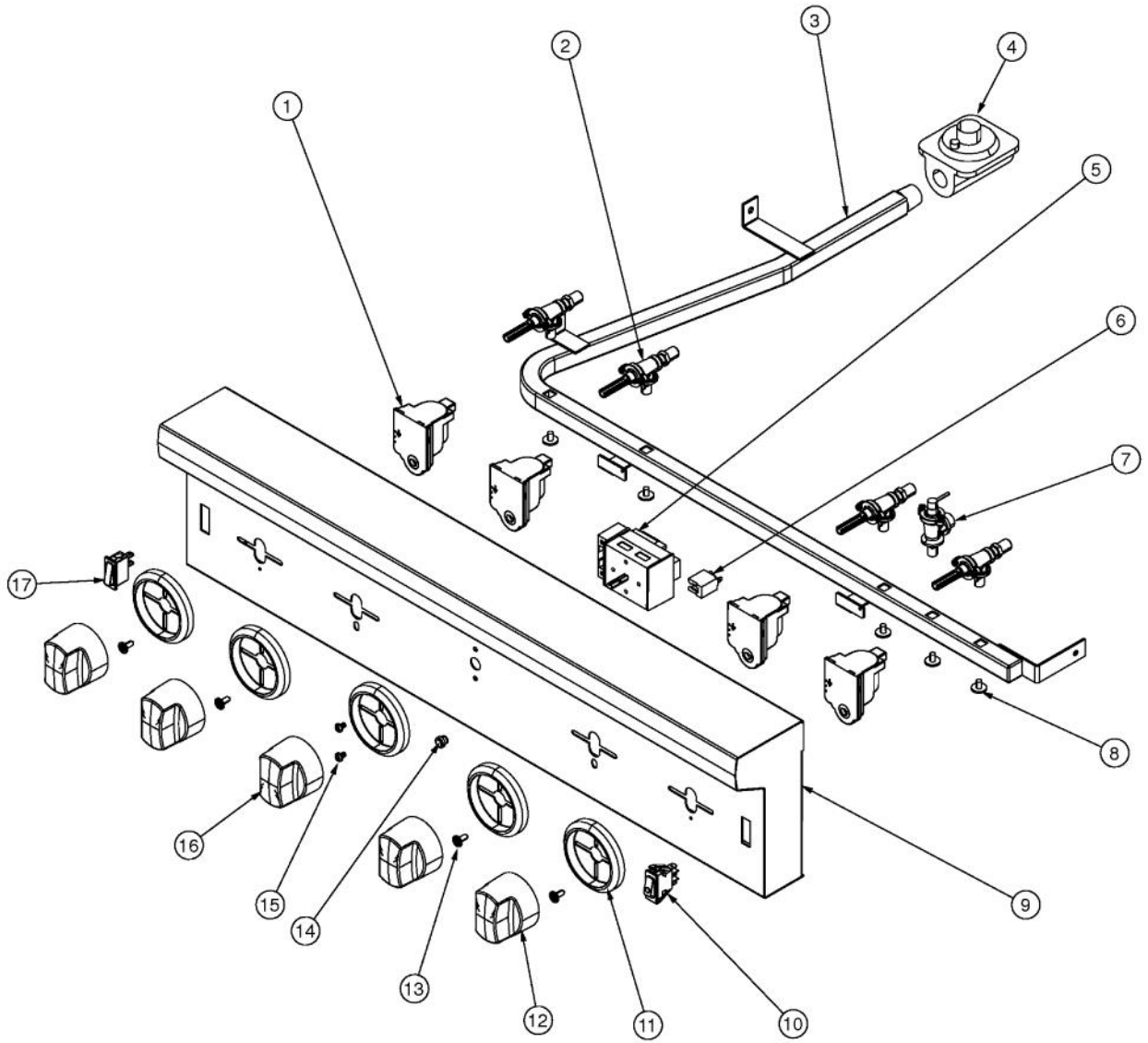
VIKING VGIC536-6B Owner's Manual

**[Shop genuine replacement parts for VIKING
VGIC536-6B](#)**

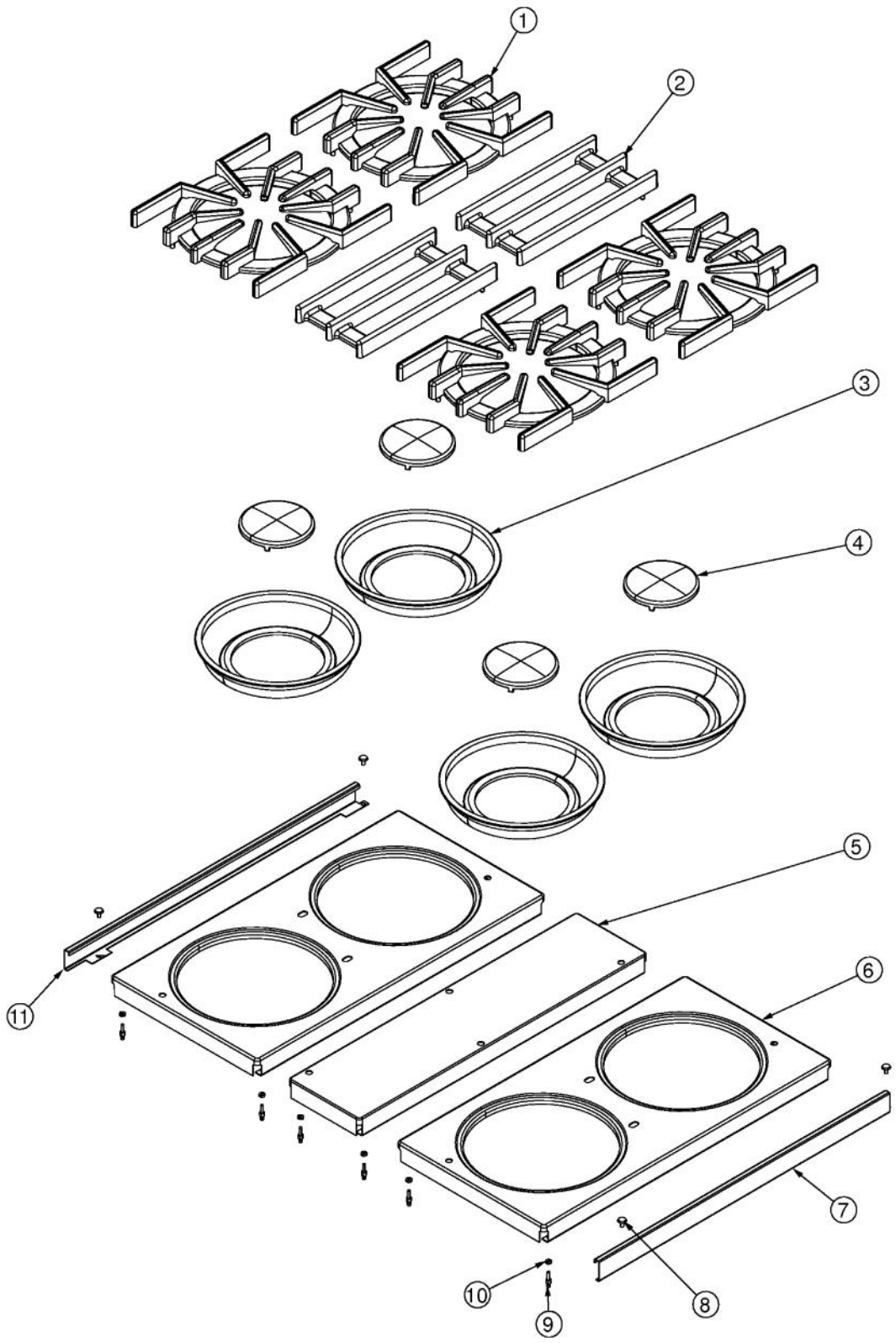


[Find Your VIKING Range Hoods Parts - Select From 411 Models](#)

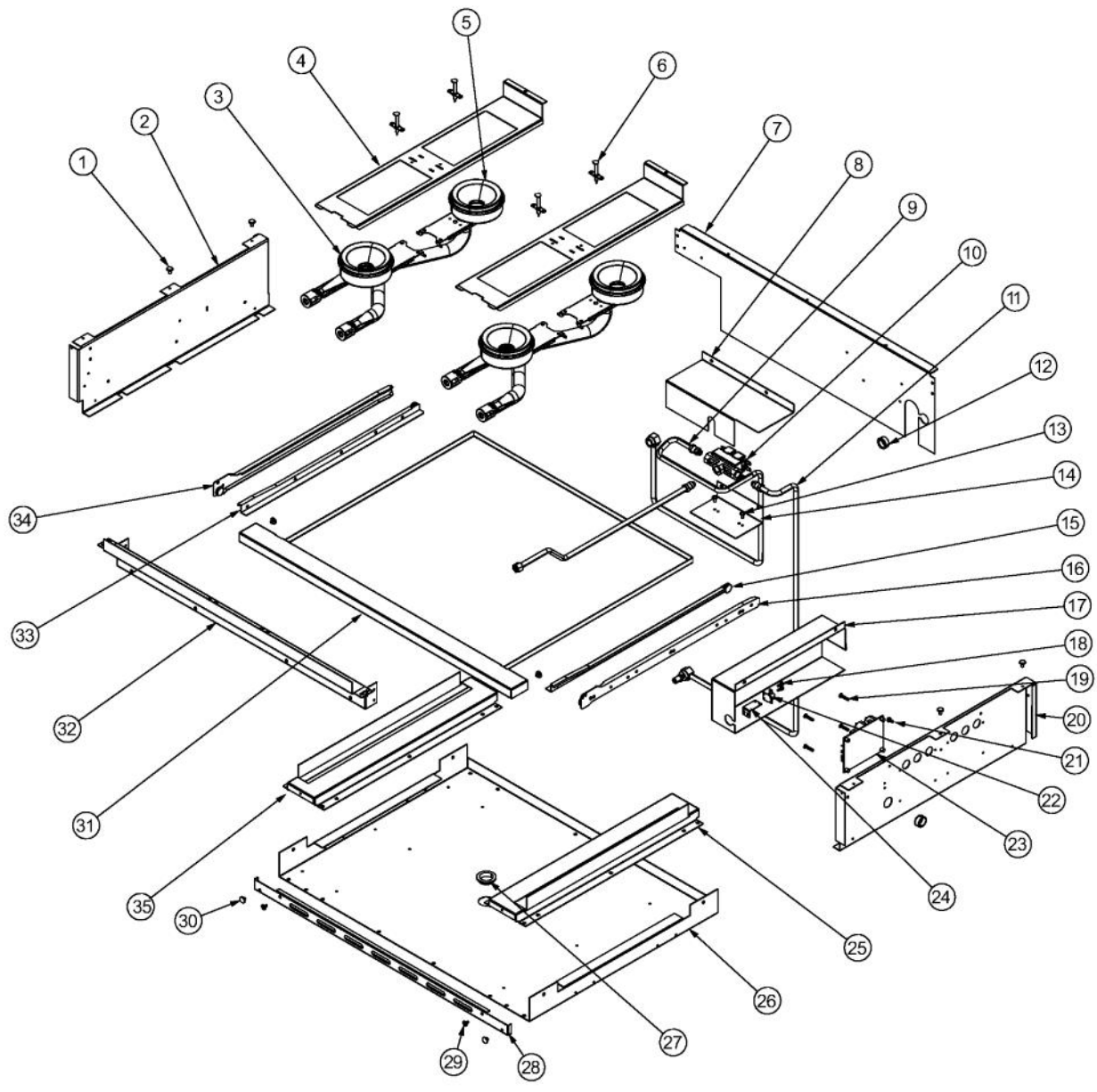
----- Manual continues below -----



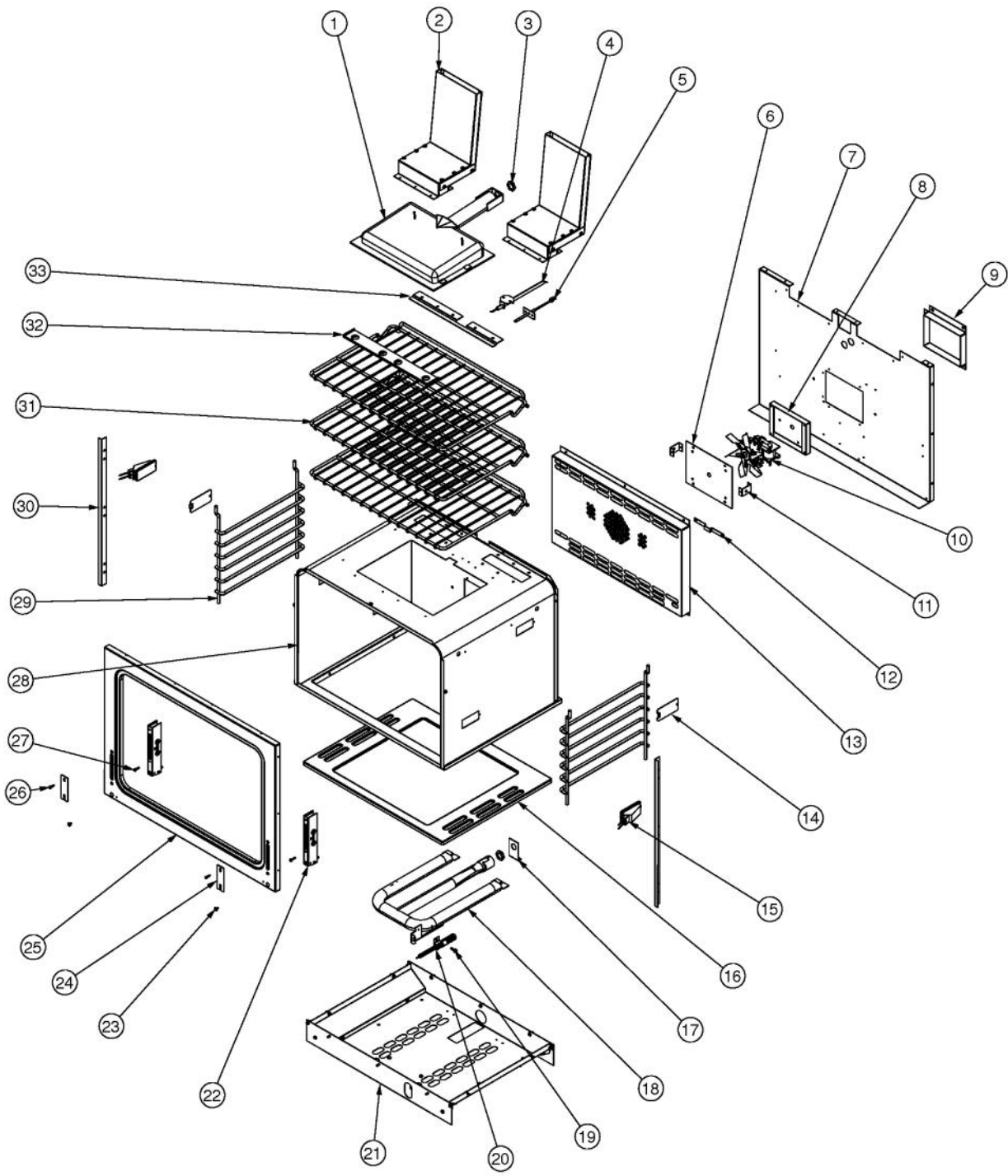
| Ref # | Part Number | Qty. | Description |
|-------|-------------|------|--|
| 1 | PA020058 | 4 | IRIS SINGLE SPARK MODULE |
| 2 | 023405-000 | 4 | TOP BURNER VALVE |
| 3 | 016978-000 | 1 | MANIFOLD, 30 |
| 4 | PA070003 | 1 | PRESSURE REGULATOR (NAT.) |
| 4 | 013386-000 | 1 | LP PRESSURE REGULATOR |
| 5 | 012235-000 | 1 | ELECTRONIC THERMOSTAT - 2 POS. W/O LEADS |
| 6 | PE050024 | 1 | OVEN IND. LIGHT (LIGHT HOUSING) |
| 7 | PB030007 | 1 | SHUT OFF VALVE |
| 8 | PD010012 | 5 | VALVE BOLT 1/4-20 UNC-2B 5/16 M.S. |
| 9 | 031251-2255 | 1 | CONTROL PANEL ASM, VGIC530-4B W/GRAPHICS |
| 10 | 006355-000 | 1 | SPLASHPROOF ROCKER SWITCH |
| 11 | PB010304 | 5 | KNOB BEZEL |
| 11 | PB010304PVD | 5 | RESTYLE KNOB BEZEL, BR |
| 12 | 005269-000 | 4 | RANGE TOP BURNER KNOB-BRUSHED, SSS BEFORE 12/20/12 |
| 12 | 035881-000 | 4 | KNOB, BNR, TOP PRO CR3 AFTER (12/20/12) |
| 13 | PD020046 | 4 | NO.8 X 1/2 SCREWS |
| 14 | PE050023 | 1 | OVEN IND. LIGHT (LENS & BEZEL) |
| 15 | PD020269 | 2 | NO.8 PAN HEAD SCREW |
| 16 | 008416-000 | 1 | KNOB, THERMOSTAT, NO.3 SSS, ASM, VGCC BEFORE 12/20/12 |
| 16 | 035891-000 | 1 | KNOB,OVN,TSTAT, PRO VGCC CR3 AFTER (12/20/12) |
| 17 | 003719-000 | 1 | OVEN LIGHT SWITCH, BLACK |



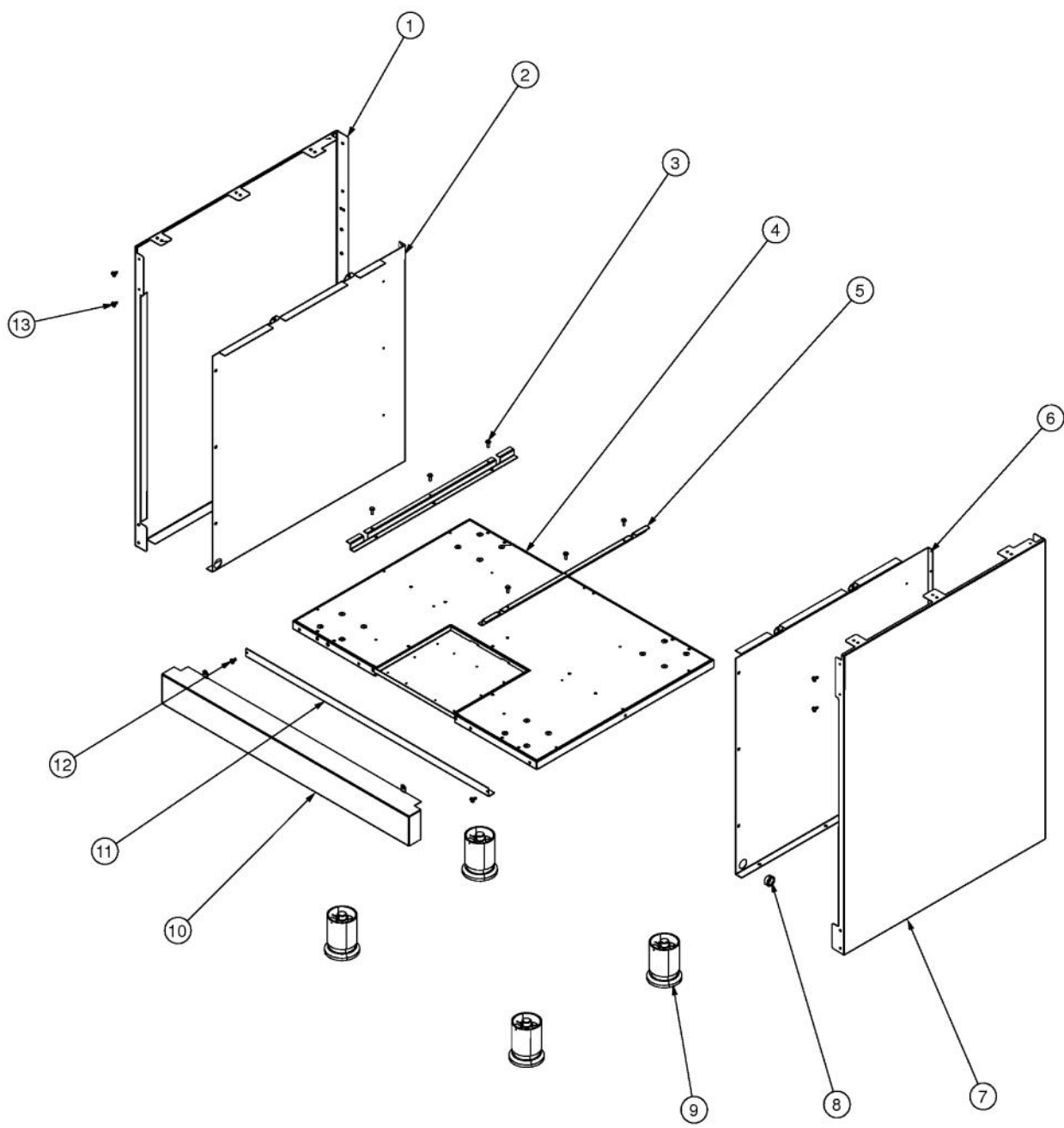
| Ref # | Part Number | Qty. | Description |
|-------|-------------|------|--------------------------------------|
| 1 | PA060037 | 4 | GRATE BK REPL PA060024 (GEN.NO.2) |
| 2 | PA060049 | 2 | CENTER GRATE - MATT BK |
| 3 | PA030002 | 4 | BURNER BOWL |
| 4 | PA080009 | 4 | GLOSS BLACK BURNER CAP |
| 5 | E9104416 | 1 | SUB CENTER SPACER W/COLOR |
| 6 | E9101115 | 2 | GRATE SUPT XBKX (VGRT) |
| 7 | 015496-000 | 1 | TRIM, SIDE RH |
| 8 | PD020033 | 4 | SRW-NO.10-24X1/2T(23)PH.WFR HD (NKL) |
| 9 | PD010017 | 6 | BALL STUD (VGRT) |
| 10 | PD030012 | 6 | 6-32 HEX NUT |
| 11 | 015497-000 | 1 | TRIM, SIDE LH |



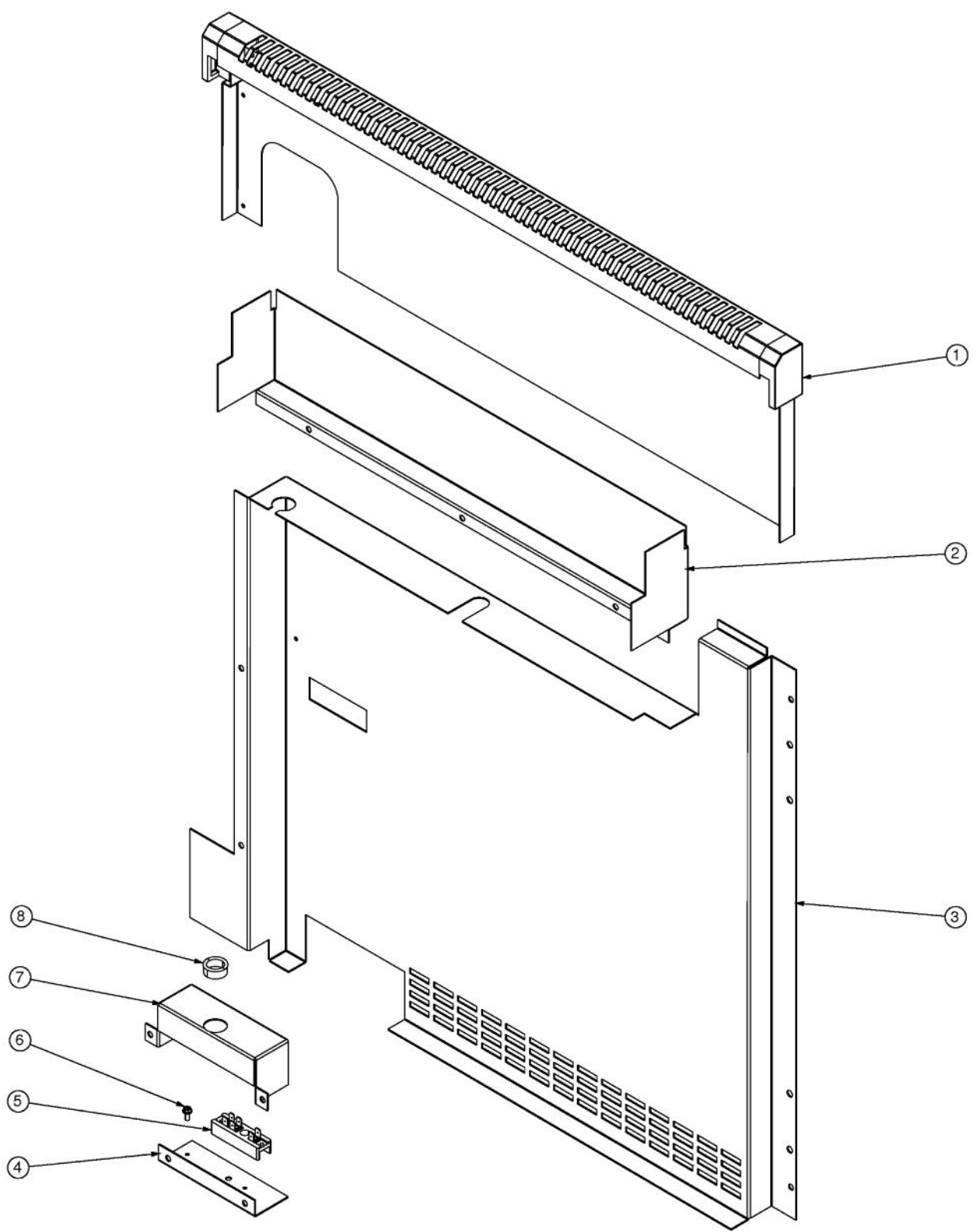
| Ref # | Part Number | Qty. | Description |
|-------|-------------|------|---|
| 1 | PD020033 | 4 | SRW-NO.10-24X1/2T(23)PH.WFR HD (NKL) |
| 2 | 003481-000 | 1 | BURNER BOX SIDE, LH |
| 3 | 015486-000 | 2 | BURNER, FRONT, ASM |
| 4 | 015485-000 | 2 | SUPPORT, BURNER, VGIC |
| 5 | 015493-000 | 2 | BURNER, REAR, ASM |
| 6 | PA020028 | 4 | SPARK IGNITER |
| 7 | 016976-000 | 1 | SUPPORT, REAR VGIC530 |
| 8 | 016980-000 | 1 | COVER, VALVE 36? |
| 9 | 015535-000 | 1 | TUBING, BROIL ASM |
| 10 | 009112-000 | 1 | VALVE, SOL, DOUBLE |
| 11 | 015533-000 | 1 | TUBING, BAKE, RH ASM |
| 12 | PD040005 | 2 | SNAP BUSHING - 7/8 |
| 13 | PD020004 | 1 | 10X3/8PH.HD.TYPE 25 REPL PD040125 |
| 14 | 015515-000 | 1 | BRACKET, VALVE |
| 15 | PK000010 | 1 | RUNNER, DRIP TRAY - RH (VGRT) |
| 16 | PK000008 | 1 | DRIP TRAY GUIDE - RH |
| 17 | 016780-000 | 1 | COVER, DSI |
| 18 | PD020067 | 2 | NO.6 X 3/8 PAN PHIL. TEK SS |
| 19 | PD020043 | 4 | NO.6-32 X .750 PH. CTRSK T(F)-VGSO166 |
| 20 | 016658-000 | 1 | BURNER BOX SIDE, RH |
| 21 | PD020010 | 1 | 10 X 3/8 GREEN GROUNDING SCREW |
| 22 | PJ030039 | 1 | BI-METAL THERMOSTAT 275 DEGREES |
| 23 | PA020056 | 1 | TYTRONICS DSI MODULE (BEFORE 12/29/10) |
| 23 | 023651-000 | 1 | DSI120 LONG PURGE (ON OR AFTER 12/29/10) |
| 24 | A20014089 | 1 | DISC BRACKET |
| 25 | 015500-000 | 2 | BRACKET, SLIDE RH |
| NI | 015501-000 | 1 | BRACKET, SLIDE ASM RH (INCLUDES ITEMS 25 AND 16) |
| 26 | 016973-000 | 1 | TOP, CABINET VGIC530 |
| 27 | PB070079 | 1 | SILICONE EXTRUSION (DGSU) |
| 28 | 016977-000 | 1 | TRIM, FR, TOP 30 DCBZ |
| 29 | PD020063 | 2 | SCREW-NO.8(A) X 3/8PH WFR HD/BK OXID |
| 30 | PD040004 | 4 | GROMMET BUMPER |
| 31 | 019011-000 | 1 | TRAY, DRIP ASM 30 |
| 32 | 016975-000 | 1 | SUPPORT, FRONT VGIC530 |
| 33 | PK000009 | 1 | RUNNER, DRIP TRAY - LH (VGRT) |
| 34 | PK000007 | 1 | DRIP TRAY GUIDE - LH (VGRT) |
| 35 | 015504-000 | 1 | BRACKET, SLIDE LH |
| NI | 015505-000 | 1 | BRACKET, SLIDE ASM LH (INCLUDES ITEMS 34 AND 35) |



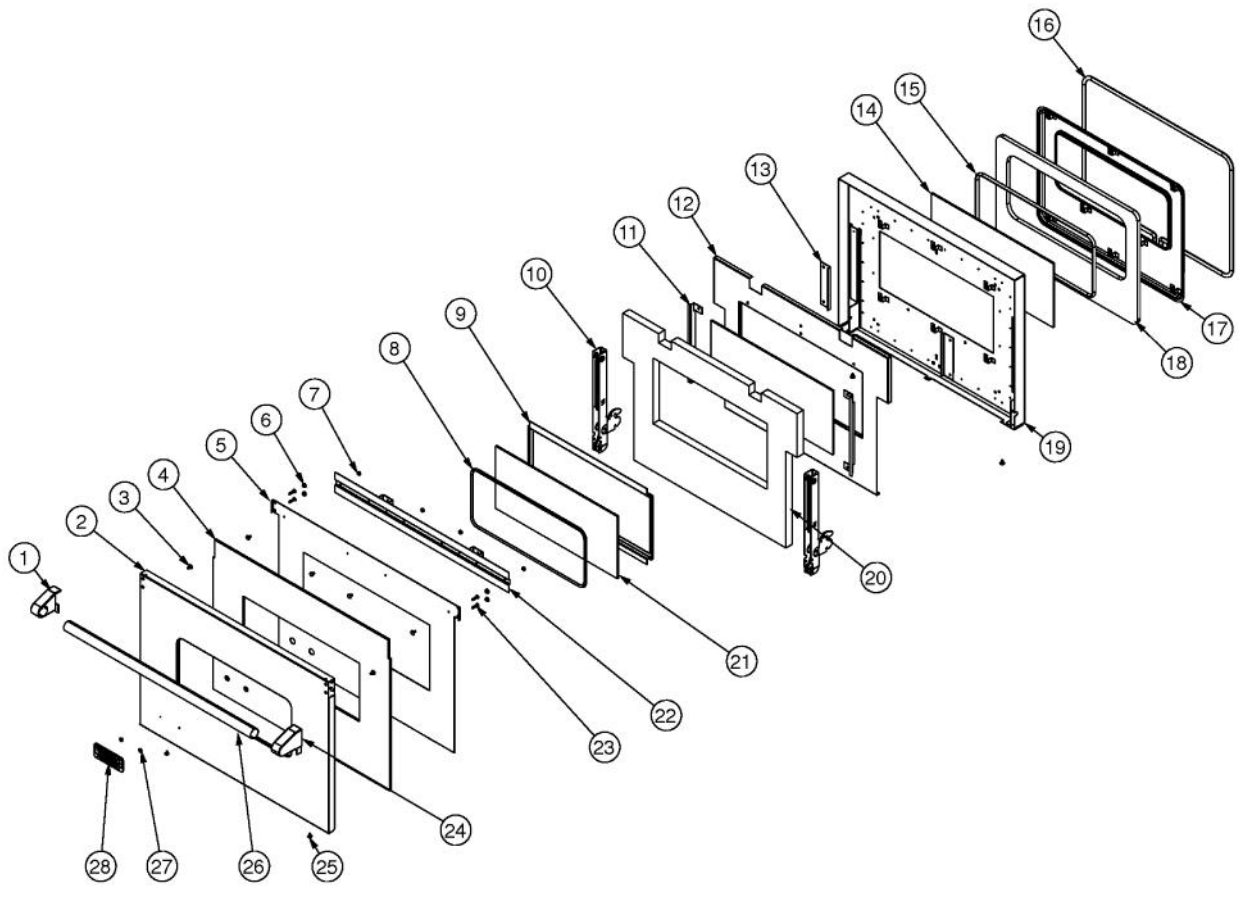
| Ref # | Part Number | Qty. | Description |
|-------|-------------|------|---|
| 1 | G3001876 | 1 | IR BURNER ASSY (VGSC/RC) N/S |
| 2 | 006192-000 | 2 | VENT, ASM, OVEN ASSEMBLY |
| 3 | PD030018 | 2 | PALNUT - 3/4-16 |
| 4 | PB040171 | 1 | BROIL IGNITION ELECTRODE |
| 5 | PE050206 | 1 | RTD THERMOSTAT PROBE |
| 6 | A1002596 | 1 | CONVECTION FAN COVER (VDSC) |
| 7 | 020404-000 | 1 | INSULATION, BACK, PANEL, 30 |
| 8 | A2002595 | 1 | CONVECTION FAN BOX (VDSC) |
| 9 | A2008467 | 1 | INSULATION SHIELD |
| 10 | PE050057 | 1 | NO LONGER USED ON THIS MODEL CONVECTION FAN (VGSC306) |
| 10 | 023090-000 | 1 | (BEFORE 8/31/11) MOTOR, CONV ASM? (ON OR AFTER 8/31/11) |
| 11 | A2001361 | 2 | BACK SPACER (VGSC/VGSS) |
| 12 | A2004428 | 1 | REAR BOTTOM BRCKT (VGSC306) (BEFORE 8/31/11) |
| 13 | G9104482 | 1 | CONVECTION FAN COVER ASSY (VGSC306) |
| 14 | E91012614 | 2 | LIGHT HOLE COVER |
| 15 | 005311-000 | 2 | 120V/25W HALOGEN LIGHT |
| 16 | G9104438 | 1 | OVEN BOTTOM PAN ASSY (VGSC306) |
| NI | A2004439 | 1 | OVEN BOTTOM SHIELD (VGSC306) |
| 17 | 005529-000 | 1 | BAKE ORIFICE MTG BRKT (BEFORE 2/11/13) |
| 17 | 040736-000 | 1 | BRKT, ORF (ON OR AFTER 2/11/13) |
| 18 | 005329-000 | 1 | BURNER, OVEN, ASM |
| 18 | 005330-000 | 1 | BURNER, OVEN, ASM (LP) |
| 19 | M0238731 | 1 | SCREW-SM |
| 20 | PB040170 | 1 | BAKE IGNITION ELECTRODE |
| 21 | 005102-000 | 1 | BURNER PAN ASSEMBLY |
| 22 | 003060-000 | 2 | HINGE RECEPACLE, VDSC CUSTOM |
| 23 | PD020032 | 2 | SRW-8(A)X3/8PH.WFR HD 7/16DIAXNICL |
| 24 | 007278-000 | 2 | ARM HINGE CLIP |
| 25 | 005373-000 | 1 | 30 FRONT FRAME WELD ASSY |
| 26 | PD020061 | 2 | NO.8 X 3/4 FLAT HD TEK. SS. |
| 27 | PD020232 | 2 | NO.8 X 3/4 PH PAN HEAD TEK SCREW (BLACK OXIDE) |
| 28 | 005047-000 | 1 | OVEN CAVITY WELD |
| 29 | PB060030 | 2 | RACK SUPT REPL PB060010 |
| 30 | 005536-000 | 2 | TRIM |
| 31 | PB060044 | 3 | OVEN RK VDSC30/48RH REPL PB060019 |
| 32 | B2001448 | 1 | IR BROIL SUPT (FRONT) |
| 33 | B2005589 | 2 | REAR BROILER BRACKET |



| Ref # | Part Number | Qty. | Description |
|-------|-------------|------|------------------------------------|
| 1 | 019123-000 | 1 | PANEL, SIDE, LEFT |
| 1 | 021310-002 | 1 | PANEL, SIDE, LH BK |
| 1 | 021310-003 | 1 | PANEL, SIDE, LH BT |
| 1 | 021310-004 | 1 | PANEL, SIDE, LH SG |
| 1 | 021310-005 | 1 | PANEL, SIDE, LH GG |
| 1 | 021310-006 | 1 | PANEL, SIDE, LH WH |
| 1 | 021310-008 | 1 | PANEL, SIDE, LH BU |
| 1 | 021310-009 | 1 | PANEL, SIDE, LH LE |
| 1 | 021310-010 | 1 | PANEL, SIDE, LH MJ |
| 1 | 021310-012 | 1 | PANEL, SIDE, LH VB |
| 1 | 021310-013 | 1 | PANEL, SIDE, LH CB |
| 1 | 021310-015 | 1 | PANEL, SIDE, LH PL |
| 1 | 021310-016 | 1 | PANEL, SIDE, LH CH |
| 1 | 021310-017 | 1 | PANEL, SIDE, LH TP |
| 1 | 021310-018 | 1 | PANEL, SIDE, LH CW |
| 1 | 021310-019 | 1 | PANEL, SIDE, LH OG |
| 1 | 021310-020 | 1 | PANEL, SIDE, LH GM |
| 1 | 021310-021 | 1 | PANEL, SIDE, LH SA |
| 1 | 021310-022 | 1 | PANEL, SIDE, LH SE |
| 1 | 021310-023 | 1 | PANEL, SIDE, LH IB |
| 1 | 021310-024 | 1 | PANEL, SIDE, LH AR |
| 1 | 021310-025 | 1 | PANEL, SIDE, LH RR |
| 1 | 021310-026 | 1 | PANEL, SIDE, LH PM |
| 1 | 021310-027 | 1 | PANEL, SIDE, LH MS |
| 2 | 004482-000 | 1 | INSULATION, PNL, SIDE, LH |
| 3 | PD020048 | 6 | NO.10 X 1/2 TEK 410 SS SCREW |
| 4 | 003056-000 | 1 | BASE ASSEMBLY |
| 5 | A2004429 | 2 | OVEN BOTTOM INSUL. BRACE (VGSC306) |
| 6 | 004479-000 | 1 | INSULATION, PNL, SIDE, RH |
| 7 | 019124-000 | 1 | PANEL, SIDE, RIGHT |
| 7 | 021309-002 | 1 | PANEL, SIDE, RH BK |
| 7 | 021309-003 | 1 | PANEL, SIDE, RH BT |
| 7 | 021309-004 | 1 | PANEL, SIDE, RH SG |
| 7 | 021309-005 | 1 | PANEL, SIDE, RH GG |
| 7 | 021309-006 | 1 | PANEL, SIDE, RH WH |
| 7 | 021309-008 | 1 | PANEL, SIDE, RH BU |
| 7 | 021309--009 | 1 | PANEL, SIDE, RH LE |
| 7 | 021309-010 | 1 | PANEL, SIDE, RH MJ |
| 7 | 021309-012 | 1 | PANEL, SIDE, RH VB |
| 7 | 021309-013 | 1 | PANEL, SIDE, RH CB |
| 7 | 021309-015 | 1 | PANEL, SIDE, RH PL |
| 7 | 021309-016 | 1 | PANEL, SIDE, RH CH |
| 7 | 021309-017 | 1 | PANEL, SIDE, RH TP |
| 7 | 021309-018 | 1 | PANEL, SIDE, RH CW |
| 7 | 021309-019 | 1 | PANEL, SIDE, RH OG |
| 7 | 021309-020 | 1 | PANEL, SIDE, RH GM |
| 7 | 021309-021 | 1 | PANEL, SIDE, RH SA |
| 7 | 021309-022 | 1 | PANEL, SIDE, RH SE |
| 7 | 021309-023 | 1 | PANEL, SIDE, RH IB |
| 7 | 021309-024 | 1 | PANEL, SIDE, RH AR |
| 7 | 021309-025 | 1 | PANEL, SIDE, RH RR |
| 7 | 021309-026 | 1 | PANEL, SIDE, RH PM |
| 7 | 021309-027 | 1 | PANEL, SIDE, RH MS |
| 8 | PD040005 | 1 | SNAP BUSHING - 7/8 |
| 9 | PC030031 | 4 | ADJUSTABLE LEG |
| 10 | 006198-000 | 1 | PANEL, ACS, 30, GSC |
| 11 | 006199-000 | 1 | SPACER, BOT, 30, GSC |
| 12 | 003801-000 | 2 | SHOULDER SCREW, NO.10 |
| 13 | 014143-000 | 4 | SCR 10-12 A SHLD TRP 1/2 S ZN BLUE |



| Ref # | Part Number | Qty. | Description |
|-------|-------------|------|--------------------------------|
| 1 | 004464-000 | 1 | TRIM, IS, ASM, REDESIGN, 30 |
| 2 | 019160-000 | 1 | BACK COLLAR, 30 |
| 3 | 032123-000 | 1 | CABINET, BACK |
| 4 | 007484-000 | 1 | TERMINAL, BLOCK, BRACKET |
| 5 | 007400-000 | 1 | BLOCK, TERMINAL |
| 6 | PD020010 | 1 | 10 X 3/8 GREEN GROUNDING SCREW |
| 7 | 031961-000 | 1 | COVER, TERM. BLOCK |
| 8 | PD040005 | 1 | SNAP BUSHING - 7/8 |
| NI | 023263-000 | 1 | BRKR, RANGE, ANTI-TIP |



| Ref # | Part Number | Qty. | Description |
|-------|-------------|------|--|
| 1 | 003011-000 | 1 | DOOR HANDLE ENDCAP ASSY, LH (CHROME) |
| 1 | 003011-100 | 1 | DOOR HANDLE ENDCAP ASSY, LH (BRASS) |
| 2 | 023453-000 | 1 | SVC DOOR SKIN KIT, VGSC, IC, CC 30SS |
| 2 | 023454-002 | 1 | SVC DOOR SKIN KIT, VGSC, IC, CC 30 BK |
| 2 | 023454-003 | 1 | SVC DOOR SKIN KIT, VGSC, IC, CC 30 BT |
| 2 | 023454-004 | 1 | SVC DOOR SKIN KIT, VGSC, IC, CC 30 SG |
| 2 | 023454-005 | 1 | SVC DOOR SKIN KIT, VGSC, IC, CC 30 GG |
| 2 | 023454-006 | 1 | SVC DOOR SKIN KIT, VGSC, IC, CC 30 WH |
| 2 | 023454-008 | 1 | SVC DOOR SKIN KIT, VGSC, IC, CC 30 BU |
| 2 | 023454-009 | 1 | SVC DOOR SKIN KIT, VGSC, IC, CC 30 LE |
| 2 | 023454-010 | 1 | SVC DOOR SKIN KIT, VGSC, IC, CC 30 MJ |
| 2 | 023454-012 | 1 | SVC DOOR SKIN KIT, VGSC, IC, CC 30 VB |
| 2 | 023454-013 | 1 | SVC DOOR SKIN KIT, VGSC, IC, CC 30 CB |
| 2 | 023454-015 | 1 | SVC DOOR SKIN KIT, VGSC, IC, CC 30 PL |
| 2 | 023454-016 | 1 | SVC DOOR SKIN KIT, VGSC, IC, CC 30 CH |
| 2 | 023454-017 | 1 | SVC DOOR SKIN KIT, VGSC, IC, CC 30 TP |
| 2 | 023454-018 | 1 | SVC DOOR SKIN KIT, VGSC, IC, CC 30 CW |
| 2 | 023454-019 | 1 | SVC DOOR SKIN KIT, VGSC, IC, CC 30 OG |
| 2 | 023454-020 | 1 | SVC DOOR SKIN KIT, VGSC, IC, CC 30 GM |
| 2 | 023454-021 | 1 | SVC DOOR SKIN KIT, VGSC, IC, CC 30 SA |
| 2 | 023454-022 | 1 | SVC DOOR SKIN KIT, VGSC, IC, CC 30 SE |
| 2 | 023454-023 | 1 | SVC DOOR SKIN KIT, VGSC, IC, CC 30 IB |
| 2 | 023454-024 | 1 | SVC DOOR SKIN KIT, VGSC, IC, CC 30 AR |
| 2 | 023454-025 | 1 | SVC DOOR SKIN KIT, VGSC, IC, CC 30 RR |
| 2 | 023454-026 | 1 | SVC DOOR SKIN KIT, VGSC, IC, CC 30 PM |
| 2 | 023454-027 | 1 | SVC DOOR SKIN KIT, VGSC, IC, CC 30 MS |
| 3 | PD020033 | 8 | SRW-NO.10-24X1/2T(23)PH.WFR HD (NKL) |
| 4 | 004685-000 | 1 | INSULATION, DOOR, PANEL |
| 5 | 004684-000 | 1 | PANEL, DOOR, INSULATION, GSC |
| 6 | 004907-000 | 4 | STEEL FINISHING PLUG, NICKEL PLTD 25/64 HOLE |
| 7 | PD030010 | 4 | NO.10-24 KEPS NUT |
| 8 | PE060031 | 1 | J-MOLD (LARGE WINDOW) (NOT FIELD REPLACEABLE - MUST ORDER ITEM NO. 2) |
| 9 | 008097-000 | 1 | FRAME, GLASS, ALUMINUM (NOT FIELD REPLACEABLE - MUST ORDER ITEM NO. 2) |
| 10 | 002740-000 | 2 | MANSFIELD HINGE, BLUE SPRING |
| 11 | 007583-000 | 2 | BRACKET, GLASS |
| 12 | 004688-000 | 1 | PANEL, INSL, DOOR, LINER |
| 13 | A2002189 | 2 | DOOR GLASS STANDOFF (VDSC) |
| 14 | PE060039 | 2 | GLASS-HEAT TREATED (HB2) VDSC |
| 15 | PB070150 | 1 | FIBERGLASS ROPE, 3/8 DIA. |
| 16 | 000042-000 | 1 | 30 DOOR GASKET |
| 17 | 001142-000 | 1 | PLUG, DOOR, ASM, PORCELAIN |
| 18 | 002560-000 | 1 | 30 DOOR PLUG INSULATION |
| 19 | 004691-000 | 1 | LINER, DOOR, ASM, ASSY, GSC |
| 20 | 005475-000 | 1 | PANEL, INSL, DOOR, LINER |
| 21 | PE060030 | 1 | GLASS-OUTER DOOR BK SCREENED,TEMP (NOT FIELD REPLACEABLE - MUST ORDER ITEM NO. 2) |
| 22 | 006553-000 | 1 | DOOR BRACKET, WELD ASSY |
| 23 | 002736-000 | 4 | NO.10-32 PAN HEAD PHILLIPS MACHINE SCREW |
| 24 | 003012-000 | 1 | DOOR HANDLE ENDCAP ASSY, RH (CHROME) |
| 24 | 003012-100 | 1 | DOOR HANDLE ENDCAP ASSY, RH (BRASS) |
| 25 | PD020073 | 2 | SRW NO.10 X 24 X 3/8 WAFER HD TYPE23 |
| 26 | 002728-000 | 1 | DOOR HANDLE - SS, 1.25 OD |
| 27 | PD030006 | 2 | CAPPED WASHER PAL NUT |
| 28 | PE010016 | 1 | NAMEPLATE, LOGO, PRO |
| 28 | PE010079 | 1 | 4.5 LOGO/VIKING PROF, BK/BR |
| 28 | 006468-000 | 1 | DOOR ASSY, SS VGCC530 |
| 28 | 006468-100 | 1 | DOOR ASSEMBLY - VGCC530 SS/BR |
| 28 | 007364-002 | 1 | DOOR ASSEMBLY - BK |

| Ref # | Part Number | Qty. | Description |
|-------|-------------|------|------------------------------|
| 28 | 007364-002 | 1 | DOOR ASSEMBLY - BK |
| 28 | 007364-003 | 1 | DOOR ASSEMBLY - BT |
| 28 | 007364-004 | 1 | DOOR ASSEMBLY - SG |
| 28 | 007364-005 | 1 | DOOR ASSEMBLY - GG |
| 28 | 007364-006 | 1 | DOOR ASSEMBLY - WH |
| 28 | 007364-008 | 1 | DOOR ASSEMBLY - BU |
| 28 | 007364-009 | 1 | DOOR ASSEMBLY - LE |
| 28 | 007364-010 | 1 | DOOR ASSEMBLY - MJ |
| 28 | 007364-012 | 1 | DOOR ASSEMBLY - VB |
| 28 | 007364-013 | 1 | DOOR ASSEMBLY - CB |
| 28 | 007364-015 | 1 | DOOR ASSEMBLY - PL |
| 28 | 007364-016 | 1 | DOOR ASSEMBLY - CH |
| 28 | 007364-017 | 1 | DOOR ASSEMBLY - TP |
| 28 | 007364-018 | 1 | DOOR ASSEMBLY - CW |
| 28 | 007364-019 | 1 | DOOR ASSEMBLY - OG |
| 28 | 007364-020 | 1 | DOOR ASSEMBLY - GM |
| 28 | 007364-021 | 1 | DOOR ASSEMBLY - SA |
| 28 | 007364-022 | 1 | DOOR ASSEMBLY - SE |
| 28 | 007364-023 | 1 | DOOR ASSEMBLY - IB |
| 28 | 007364-024 | 1 | DOOR ASSEMBLY - AR |
| 28 | 007364-025 | 1 | DOOR ASSEMBLY - RR |
| 28 | 007364-026 | 1 | DOOR ASSEMBLY - PM |
| 28 | 007364-027 | 1 | DOOR ASSEMBLY - MS |
| 28 | 007364-102 | 1 | DOOR ASSEMBLY - BK/BR |
| 28 | 007364-103 | 1 | DOOR ASSEMBLY - BT/BR |
| 28 | 007364-104 | 1 | DOOR ASSEMBLY - SG/BR |
| 28 | 007364-105 | 1 | DOOR ASSEMBLY - GG/BR |
| 28 | 007364-106 | 1 | DOOR ASSEMBLY - WH/BR |
| 28 | 007364-108 | 1 | COMPLETE DOOR ASSEMBLY BU/BR |
| 28 | 007364-109 | 1 | DOOR ASSEMBLY - LE/BR |
| 28 | 007364-110 | 1 | DOOR ASSEMBLY - MJ/BR |
| 28 | 007364-112 | 1 | DOOR ASSEMBLY - VB/BR |
| 28 | 007364-113 | 1 | DOOR ASSEMBLY - CB/BR |
| 28 | 007364-115 | 1 | DOOR ASSEMBLY - PL/BR |
| 28 | 007364-116 | 1 | DOOR ASSEMBLY - CH/BR |
| 28 | 007364-117 | 1 | DOOR ASSEMBLY - TP/BR |
| 28 | 007364-118 | 1 | DOOR ASSEMBLY - CW/BR |
| 28 | 007364-119 | 1 | DOOR ASSEMBLY - OG/BR |
| 28 | 007364-120 | 1 | DOOR ASSEMBLY - GM/BR |
| 28 | 007364-121 | 1 | DOOR ASSEMBLY - SA/BR |
| 28 | 007364-122 | 1 | DOOR ASSEMBLY - SE/BR |
| 28 | 007364-123 | 1 | DOOR ASSEMBLY - IB/BR |
| 28 | 007364-124 | 1 | DOOR ASSEMBLY - AR/BR |
| 28 | 007364-125 | 1 | DOOR ASSEMBLY - RR/BR |
| 28 | 007364-126 | 1 | DOOR ASSEMBLY -PM/BR |
| 28 | 007364-127 | 1 | DOOR ASSEMBLY - MS/BR |

*No Image
Available*

| Ref # | Part Number | Qty. | Description |
|-------|-------------|------|---|
| NI | 023040-000 | 1 | HARNESS, CNVN, SWITCH, ASM |
| NI | 026120-000 | 1 | HARNESS, WIRE, VGIC5304B |
| NI | 017735-000 | 1 | HARNESS, CONTROL BK/BR |
| NI | 007378-000 | 1 | LIGHT SWITCH HARNESS |
| NI | 006766-000 | 1 | IRIS IGNITOR WIRE, BACK BURNER |
| NI | 000647-000 | 1 | IRIS IGNITOR WIRE, FRONT BURNER |
| NI | 051439-000 | 1 | VGIC530-4B SPILL GUTTER KIT FOR TC-0098-SP BULLETIN |
| NI | PE070889 | 1 | IRIS HARNESS - 30 |