

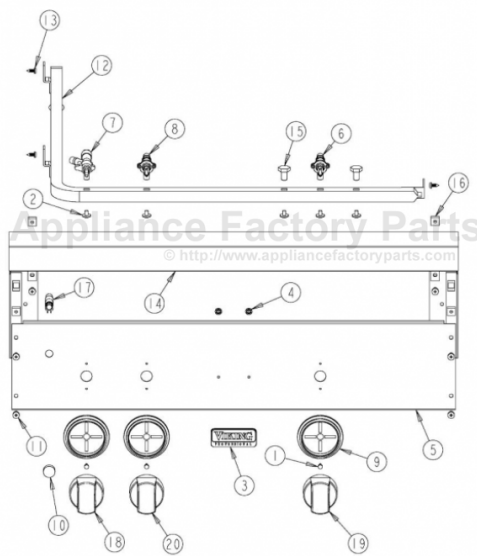
This Owner's Manual is provided and hosted by Appliance Factory Parts.



VIKING VGIQ3002RT Owner's Manual

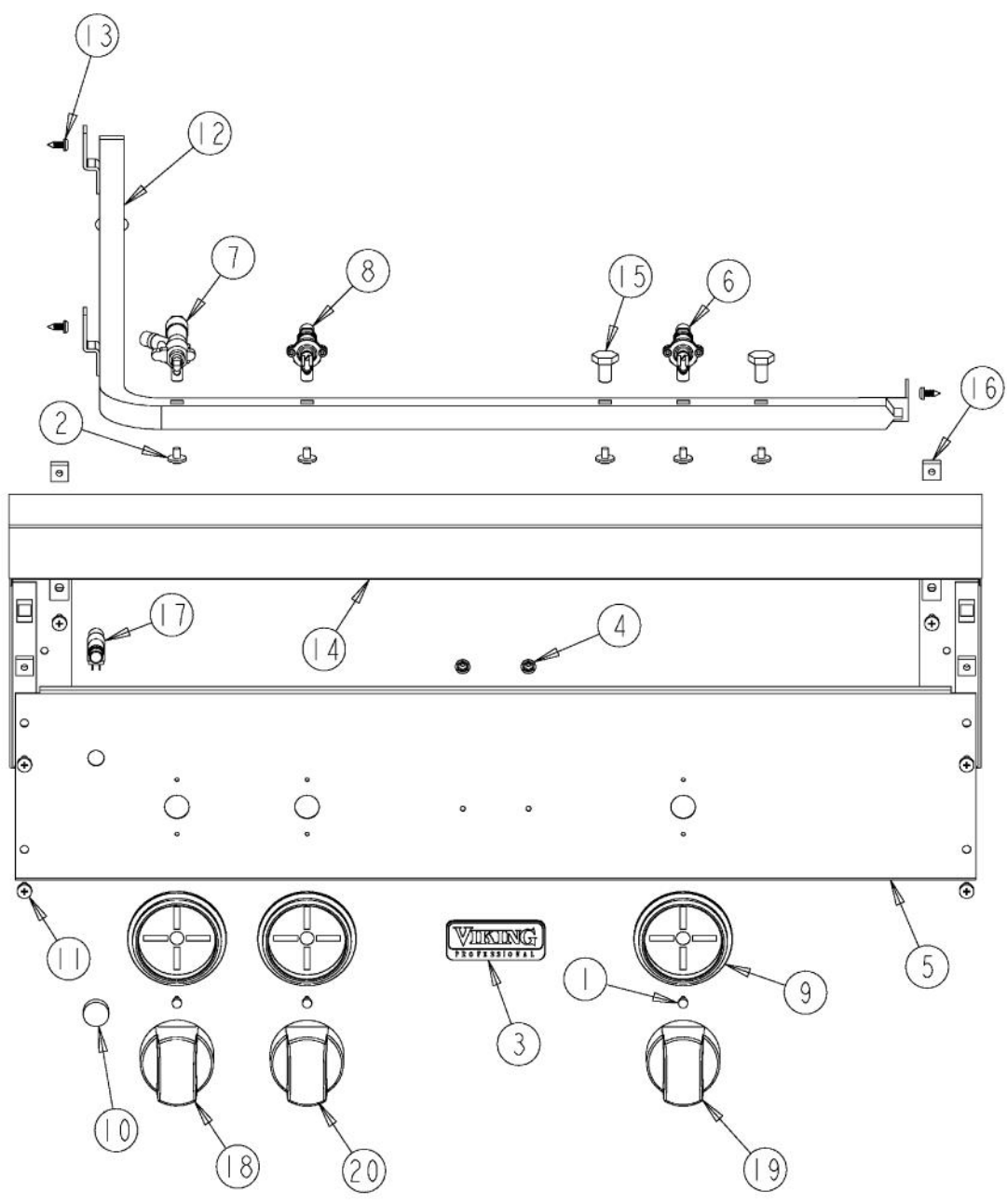
**Shop genuine replacement parts for VIKING
VGIQ3002RT**

VGIQ3002RT - 001 - CONTROL AREA [1/11]

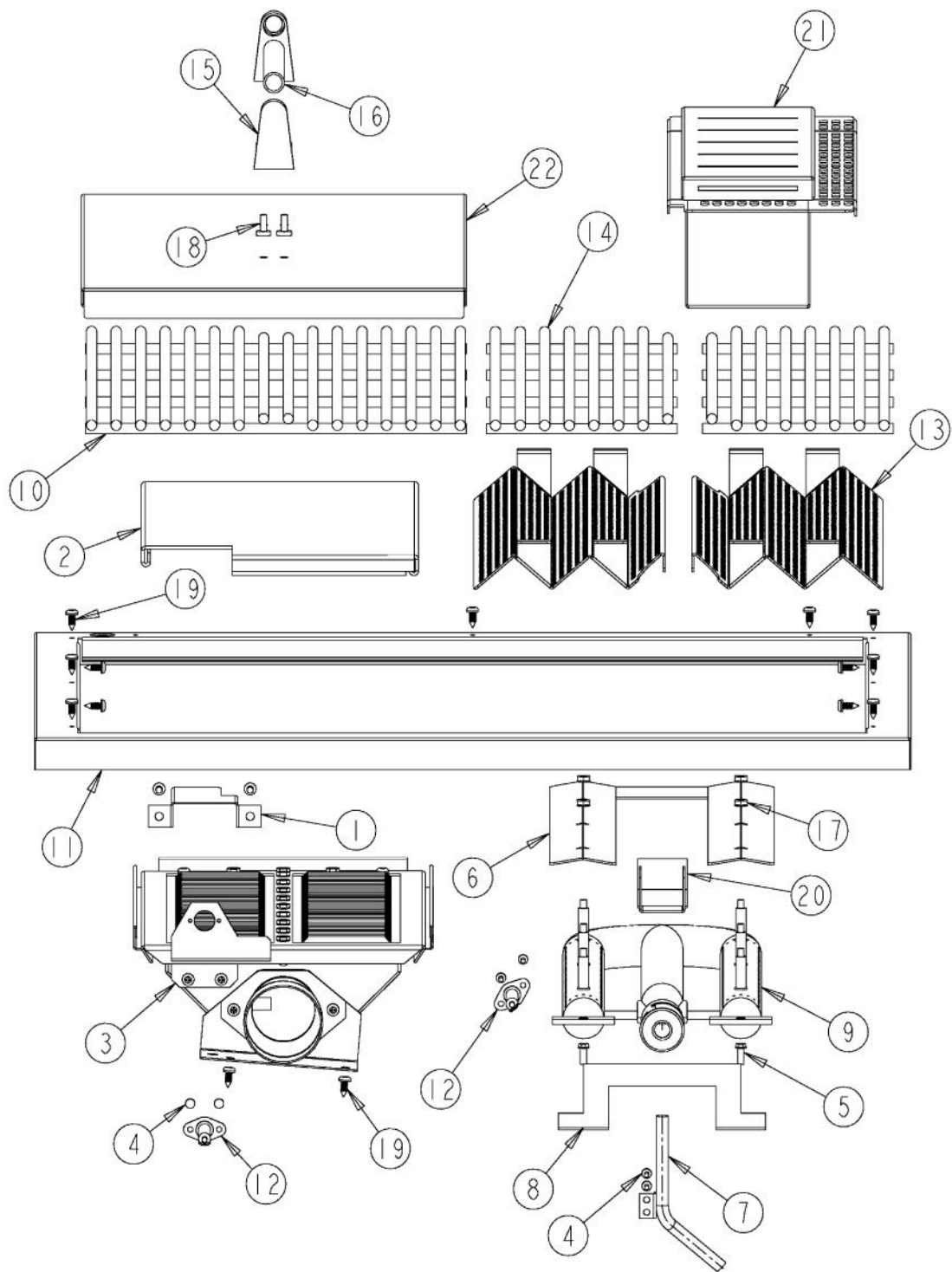


Find Your VIKING Grill Parts - Select From 210 Models

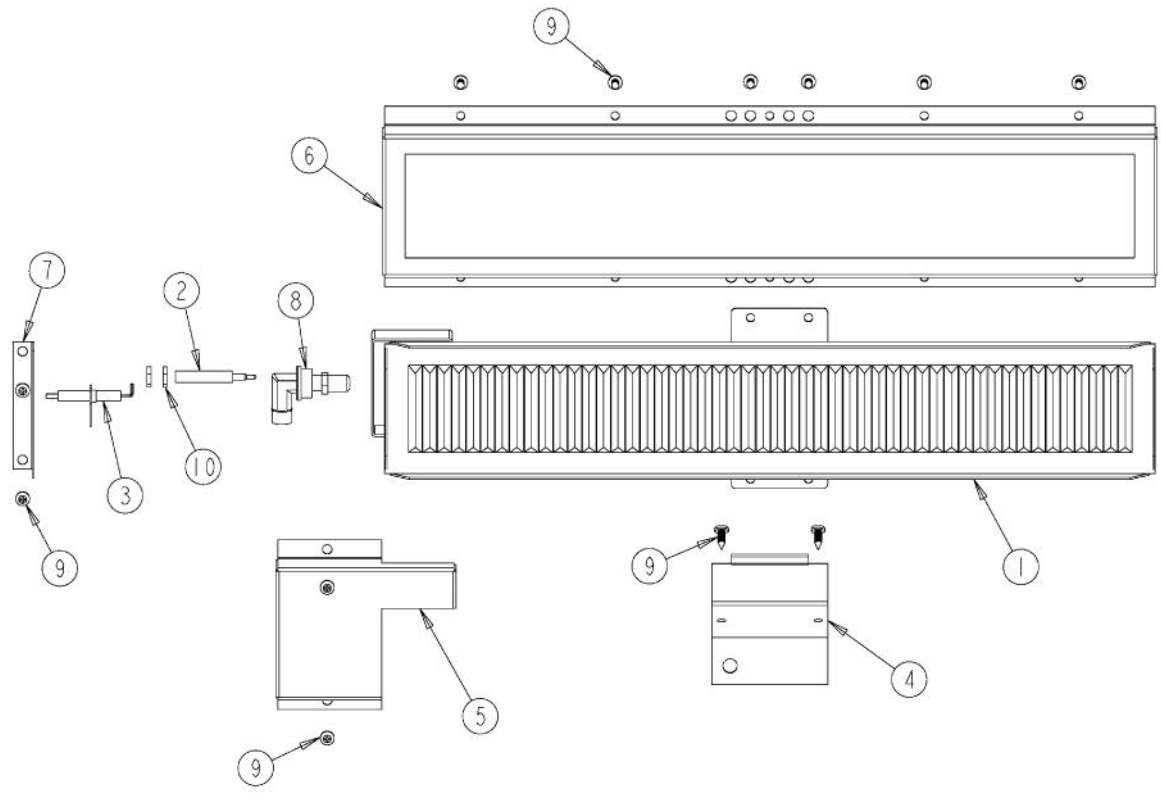
----- Manual continues below -----



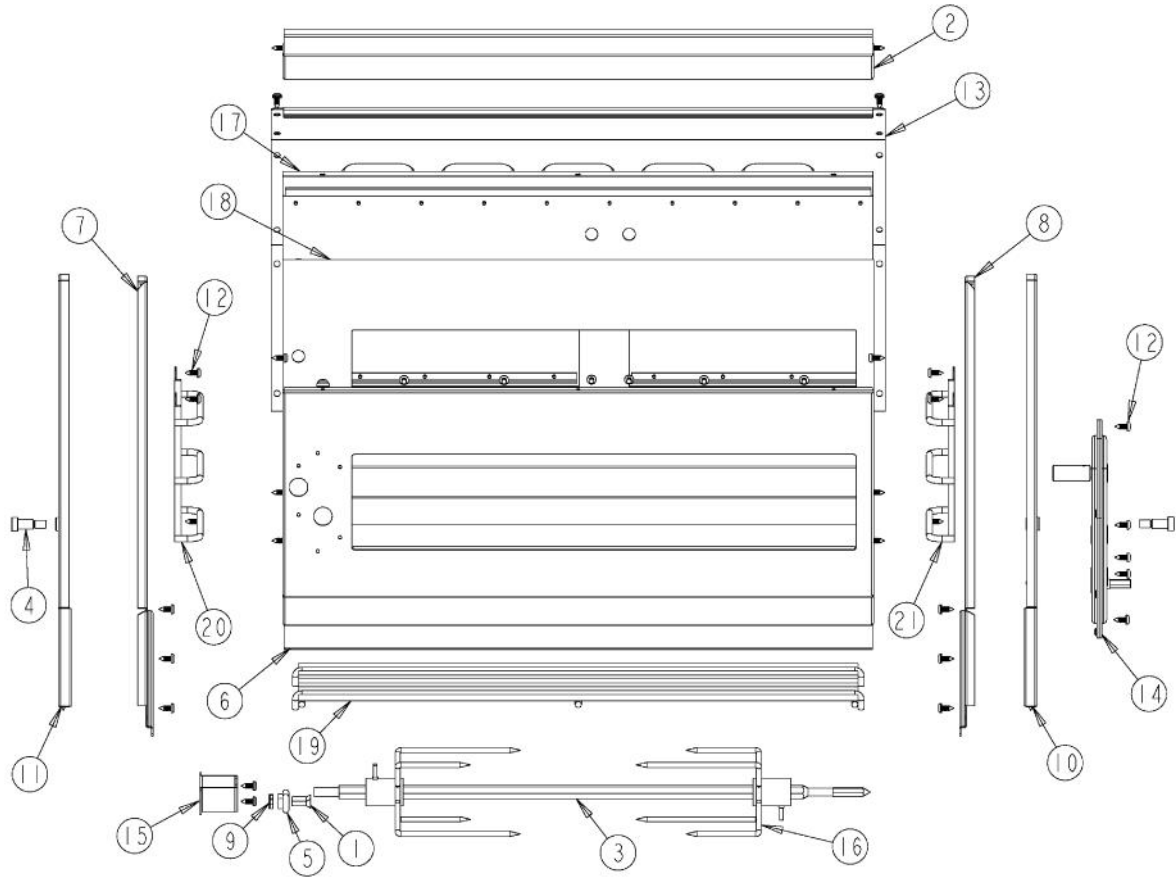
Ref #	Part Number	Qty.	Description
1	PD020067		NO.6 X 3/8 PAN PHIL. TEK SS
2	PD010012		VALVE BOLT 1/4-20 UNC-2B 5/16 M.S.
3	PE010142		3 LOGO XBKXXCHROME
	PE010143		3 LOGO BK/BR
4	PD030006		CAPPED WASHER PAL NUT
5	B92013851		CONTROL PANEL
6	PA010149		SUB TO 003516-000 - GRILL VALVE NAT. (7,600-25,000 BTU)
	PA010150		SUB TO 003538-000 - GRILL VALVE L.P. (13,000-22,500 BTU)
7	PB010191		I.R. SAFETY VALVE (PHASE II GRILLS)
	PB010220		I.R. SAFETY VALVE LP
8	PA010190		I/R BURNER VALVE (NAT)
	PA010188		SUB TO 009782-000 - I/R VALVE - LP (MUELLER)
9	PB010208		BEZEL, CHROME PLATE
	PB010209		BEZEL BRASS
10	PB010163		OVEN LIGHT SWITCH KNOB BK
11	PD020056		NO.10-24 X 1/2 PH.TR. M.S. SS
12	PA050070		PHASE2 30 MANIFOLD
13	PD020055		NO.10 X 1/2 PAN PHIL. TEK. SS
14	PK010063		LANDING LEDGE (VGBQ30) T SERIES
15	PA010012		ROPER PLUG
16	PD030050		10-24 CAGE NUT SS
17	PE050063		SPARKER SWITCH
18	PA010088		ROTIS. BURNER KNOB
19	PA010206		TRU-SEAR KNOB
20	PA010140		OUTDOOR IR GRILL KNOB



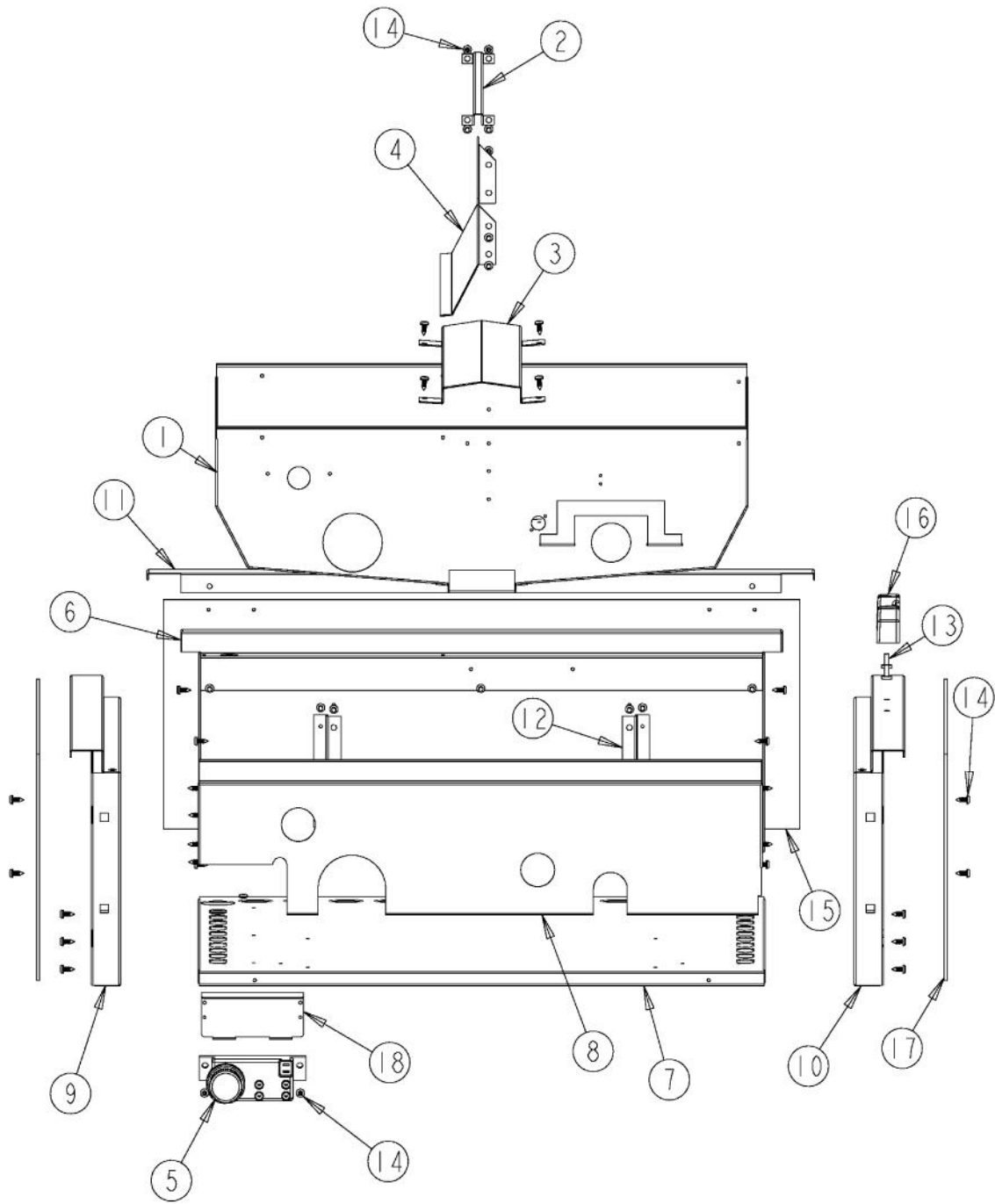
Ref #	Part Number	Qty.	Description
1	B2008939		IR SPARK IGNITOR COVER
2	B2008943		GREASE SCREEN
3	G3208933		IR BURNER ASSY
4	PD020067		NO.6 X 3/8 PAN PHIL. TEK SS
5	PD020048		NO.10 X 1/2 TEK 410 SS SCREW
6	B2004921		BURNER DRIP SHIELD (P1 GRILL)
7	PB020114		FLASH TUBE (VGBQ3002T)
8	B2005248		FRONT BURNER BRACKET (PHASE 2)
9	PA080050		GRILL BURNER SS
10	PA060052		GRILL COOKING GRATES
11	B20015516		GRILL FRAME 30
12	PB040176		IGNITER
13	PK010061		HALF FLAVOR GRID PHASE 2
14	PA060053		HALF GRILL GRATE
15	PE030187		ENDCAP, TUBE
16	PE030197		VGIQ30 COVER HANDLE
17	PD030044		10-24 KEPS NUT SS
18	PD020056		NO.10-24 X 1/2 PH.TR. M.S. SS
19	PD020055		NO.10 X 1/2 PAN PHIL. TEK. SS
20	B2005249		REAR BURNER BRACKET (PHASE 2)
21	G3005350		SMOKER BOX ASSY (VGBQ3002RT)
22	B20015413		VGIQ IR COVER
NI	G32015421		IR COVER ASSY (VGIQ30) (INC. No.15, 16, 18, & 22)
NI	00645-000		ENCLOSURE FUEL CATCH - LH
NI	00646-000		ENCLOSURE FUEL CATCH - RH



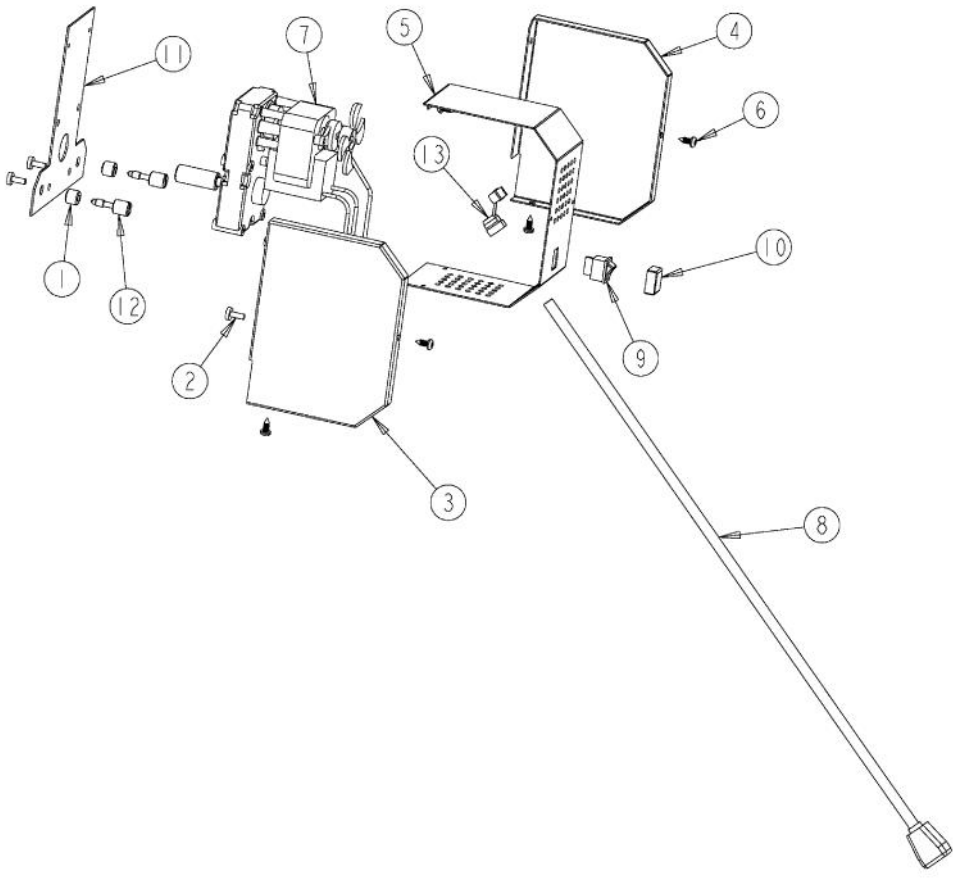
Ref #	Part Number	Qty.	Description
1	G3005289		BURNER,ASM,,ASM,IR,20
2	PB010210		FULL THERMOCOUPLE
3	PB040122		IGNITOR FOR (BBQ GRILL) (1647-89)
4	L20015527		VGIQ30 HEAT SHIELD PATCH
5	B2005273		I/R IGNITOR COVER LH (PHASE 2)
6	B2005347		INFRARED FRAME
7	B2005271		IR IGNITOR BRACKET (PHASE 2)
8	PB040124		90 DEG. ORIFICE FITTING
	PB040125		ORIFICE FTG 90D 20IR NO.57 HD YELLOW
9	PD020055		NO.10 X 1/2 PAN PHIL. TEK. SS
10	PD030048		THERMOCOUPLE NUT M08-VGBQ-8743300007



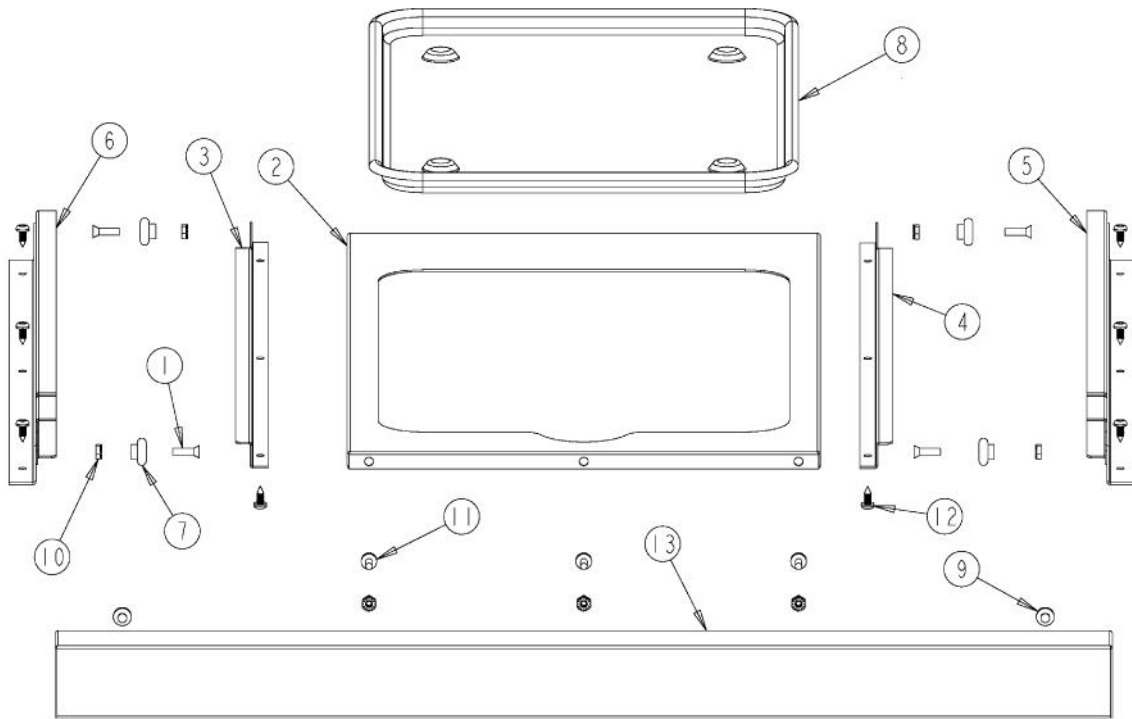
Ref #	Part Number	Qty.	Description
1	PD020082		10 X 24 COUNTERSUNK S.S. SCREW
2	E9105393		30`` FRONT HOUSING TOP
3	PB060054		ROTIS SPIT ROD 30
4	PD010043		5/16INCH SHOULDER BOLT (PHASE 2)
5	PC020025		DRIP TRAY WHEEL
6	G91015522		FRONT HOUSING ASSY (VGIQ3002RT)
7	B20015419		INSIDE WINDSHIELD LH
8	B20015418		INSIDE WINDSHIELD RH
9	PD030044		10-24 KEPS NUT SS
10	G5005256		OUTSIDE WINDSHIELD ASSY RH
11	G5005257		OUTSIDE WINDSHIELD ASSY LH
12	PD020055		NO.10 X 1/2 PAN PHIL. TEK. SS
13	B2005281		REAR COVER - 30 (PHASE 2)
14	PC070024		ROTIS. GEAR BOX ASSY
15	B2005278		ROTISSERIE ROLLER BRACKET (PHASE 2)
16	PB060058		SPIT FORK
17	G31015535		HEAT SHIELD ASSEMBLY
18	PB070352		INSULATION
19	PB060057		WARMING RACK 30
20	PB060113		WARMING RACK SUPPORT LH
21	PB060112		WARMING RACK SUPPORT RH



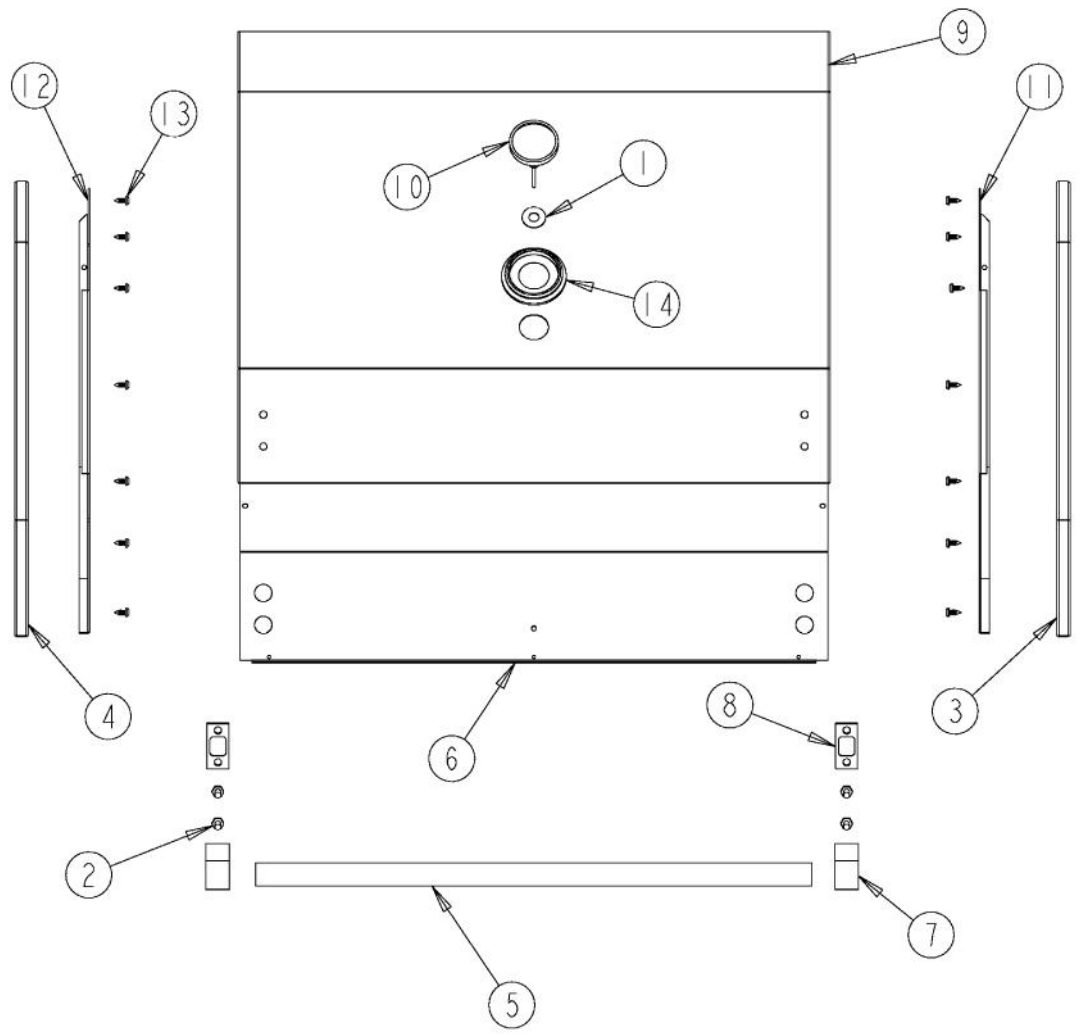
Ref #	Part Number	Qty.	Description
1	G3008937		BURNER BOX ASSY, 53 LH
2	B2005244		BURNER BOX CENTER TRIM
3	B2005246		BURNER BOX SHIELD (PHASE 2)
4	B20011414		BURNER BOX DIVIDER (VGIQ300T)
5	PA020036		SPARK MODULE
6	B2005207		GRILL BOX BACK 30 (PHASE 2)
7	B2005202		GRILL BOX BOTTOM 30 (PHASE 2)
8	B20011415		GRILL BOX FRONT
9	B2005204		PANEL, GRL, LH
10	B2005203		GRILL BOX SIDE RH (PHASE 2)
11	B20010115		GRILL BOX TRIM - 30
12	B2006305		HEAT SHIELD BRACKET
13	PD020056		NO.10-24 X 1/2 PH.TR. M.S. SS
14	PD020055		NO.10 X 1/2 PAN PHIL. TEK. SS
15	L1005399		REAR HEAT SHIELD 30``
16	PB060055		ROTISSERIE MOUNT CASTING
17	L1005398		SIDE HEAT SHIELD
18	B2005250		SPARK MODULE BRACKET (PHASE 2)



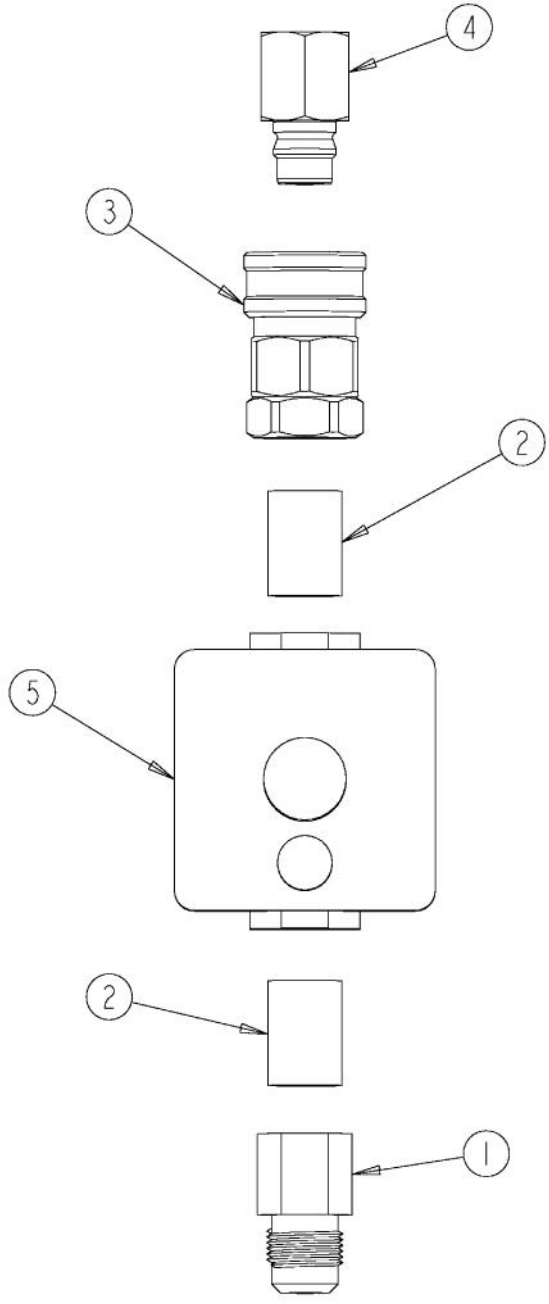
Ref #	Part Number	Qty.	Description
1	PD030064		CAPTURE NUT 1/4 NO.20
2	PD020056		NO.10-24 X 1/2 PH.TR. M.S. SS
3	B2005284		PHASE II ROTIS BOX FRONT
4	B2005285		PHASE II ROTIS BOX FRONT
5	B2005286		PHASE II ROTIS COVER
6	PD020055		NO.10 X 1/2 PAN PHIL. TEK. SS
7	PE070184		ROTISSERIE MOTOR
8	PE070189		ELECTRICAL SUPPLY CORD - BBQ GRILL
9	PE050051		ROTISSERIE SWITCH
10	PE050046		ROTISSERIE SWITCH BOOT
11	B1005283		ROTISSERIE MOUNTING PLATE (PHASE 2)
12	PD010090		ROTISSERIE FASTENER KNOB
13	PD040044		SNAP THRU BUSHING 1/4DIA CORD
NI	G3205282		ROTISSERIE MOTOR ASSEMBLY (PHASE 2)



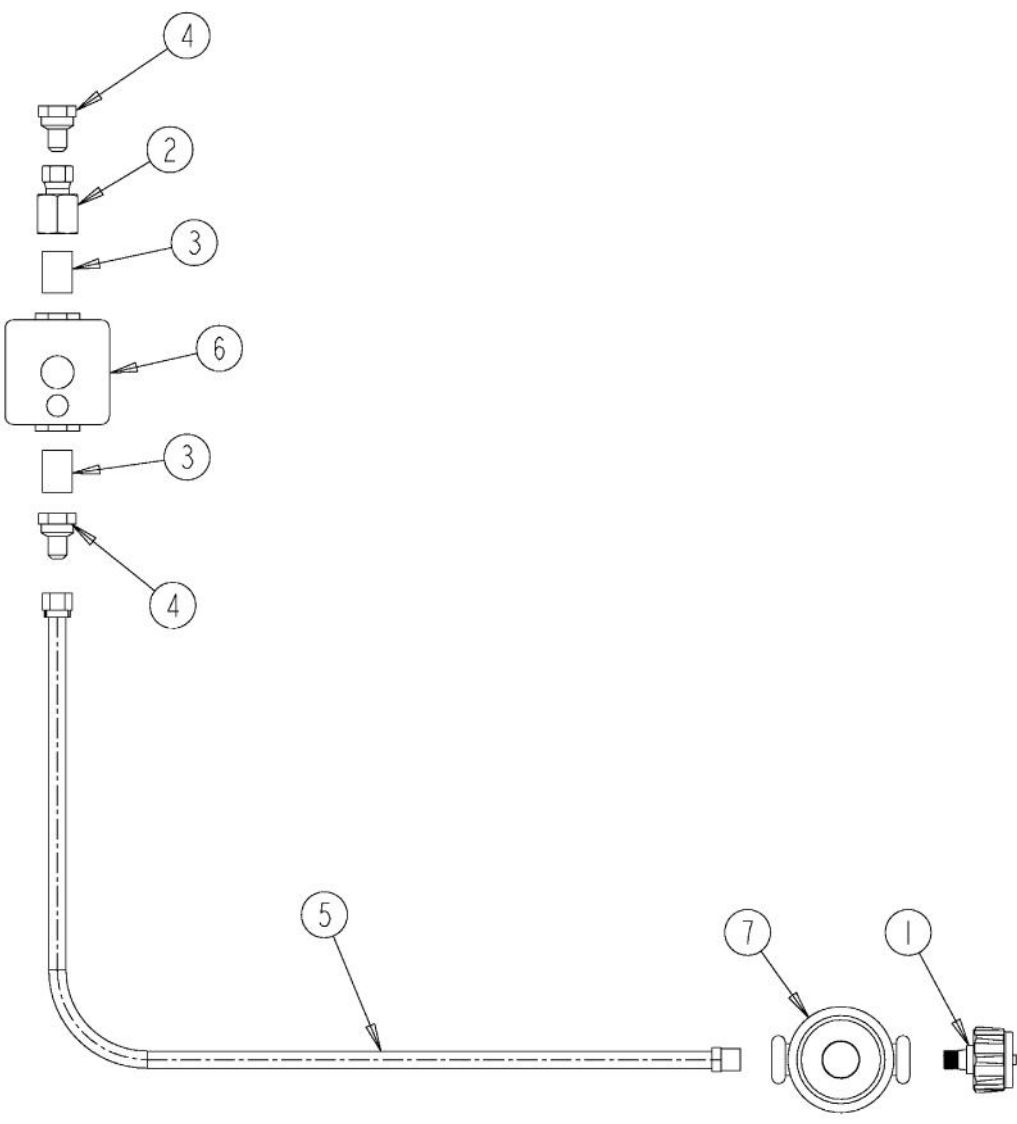
Ref #	Part Number	Qty.	Description
1	PD020082		10 X 24 COUNTERSUNK S.S. SCREW
2	B2005312		DRIP TRAY 30 (PHASE 2)
3	B2005317		DRIP TRAY RUNNER LH (PHASE 2)
4	B2005316		DRIP TRAY RUNNER RH
5	G3005215		DRIP TRAY SLIDE - RH
6	G3005214		DRIP TRAY SLIDE - LH
7	PC020025		DRIP TRAY WHEEL
8	PB080061		GREASE PAN
9	PD040004		GROMMET BUMPER
10	PD030044		10-24 KEPS NUT SS
11	PD020056		NO.10-24 X 1/2 PH.TR. M.S. SS
12	PD020055		NO.10 X 1/2 PAN PHIL. TEK. SS
13	PK010066		DRIP TRAY HANDLE (VGBQ30) T SERIES
NI	G3205308		30 INCH DRIP TRAY ASSY (PHASE 2) (DOES NOT INCLUDE ITEMS No.5, 6, AND 8)



Ref #	Part Number	Qty.	Description
1	PD040166		GRILL THERMO SPACER
2	PD020069		CAP SCREW 1/4-20 X 3/4 SS
3	B3005292		CANOPY END RH (PHASE 2)
4	B3005293		CANOPY END LH (PHASE 2)
5	PE030041		DOOR HANDLE (CANOPY) XSSX (VGBQ30)
	PE030045PVD		CANOPY HANDLE (30) PVD
6	B2005301		CANOPY HEAT SHIELD -(PHASE 2)
7	PE030001		BRACKET, DOOR, HANDLE
	PE030001PVD		END CAP DOOR HANDLE XBR
8	PD040010		DOOR HANDLE SPACER
9	B2005298		GRILL CANOPY 30 (PHASE 2)
10	PB010337		GRILL THERMOMETER
11	B2005294		INSIDE CANOPY END RH (PHASE 2)
12	B2005295		INSIDE CANOPY LH (PHASE 2)
13	PD020055		NO.10 X 1/2 PAN PHIL. TEK. SS
14	PB010192		THERMOSTAT BEZEL
	PB010212		THERMOSTAT BEZEL BRASS
NI	G3205304SS		CANOPY ASSY 30 (P2 GRILL) XSSX
	G3205304SSBR		CANOPY ASSY 30 (P2 GRILL) XSSXBRX



Ref #	Part Number	Qty.	Description
1	PB020239		7/8 FLARE TO 1/2 FEMALE CONNECTOR
2	PB040046		1/2 CLOSE NIPPLE (VGSO166)
3	PB040166		FEMALE COUPLER (PHASE 1 GRILL)
4	PB040167		MALE COUPLER (PHASE 1 GRILL)
5	PA070006		PRESSURE REGULATOR - NATURAL
NI	G3004936		REGULATOR ASSY - NAT (P1 GRILL)



Ref #	Part Number	Qty.	Description
1	PA010138		CYLINDER CONNECTION
2	PB040235		1/2NPT TO 3/8 FLARE COUPLING
3	PB040046		1/2 CLOSE NIPPLE (VGSO166)
4	PB040146		1/2 X 3/8 FLARE ADAPTER (VGBQ)
5	PB020227		HIGH PRESSURE LP HOSE
6	PA070005		PRESSURE REG.(LP) RV47L-77-10.0
7	PA070007		LP TANK REGULATOR (VGBQ)
NI	G3004937		REGULATOR ASSY - L.P. W/HOSE

*No Image
Available*

<u>Ref #</u>	<u>Part Number</u>	<u>Qty.</u>	<u>Description</u>
1	025322-000	1	HARNESS, WIRE, ROTISSERIE