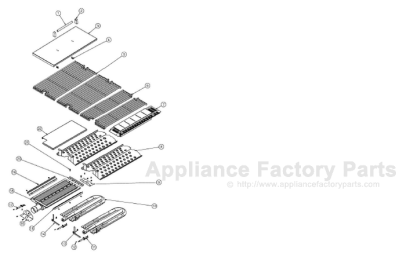


This Owner's Manual is provided and hosted by [Appliance Factory Parts](#).



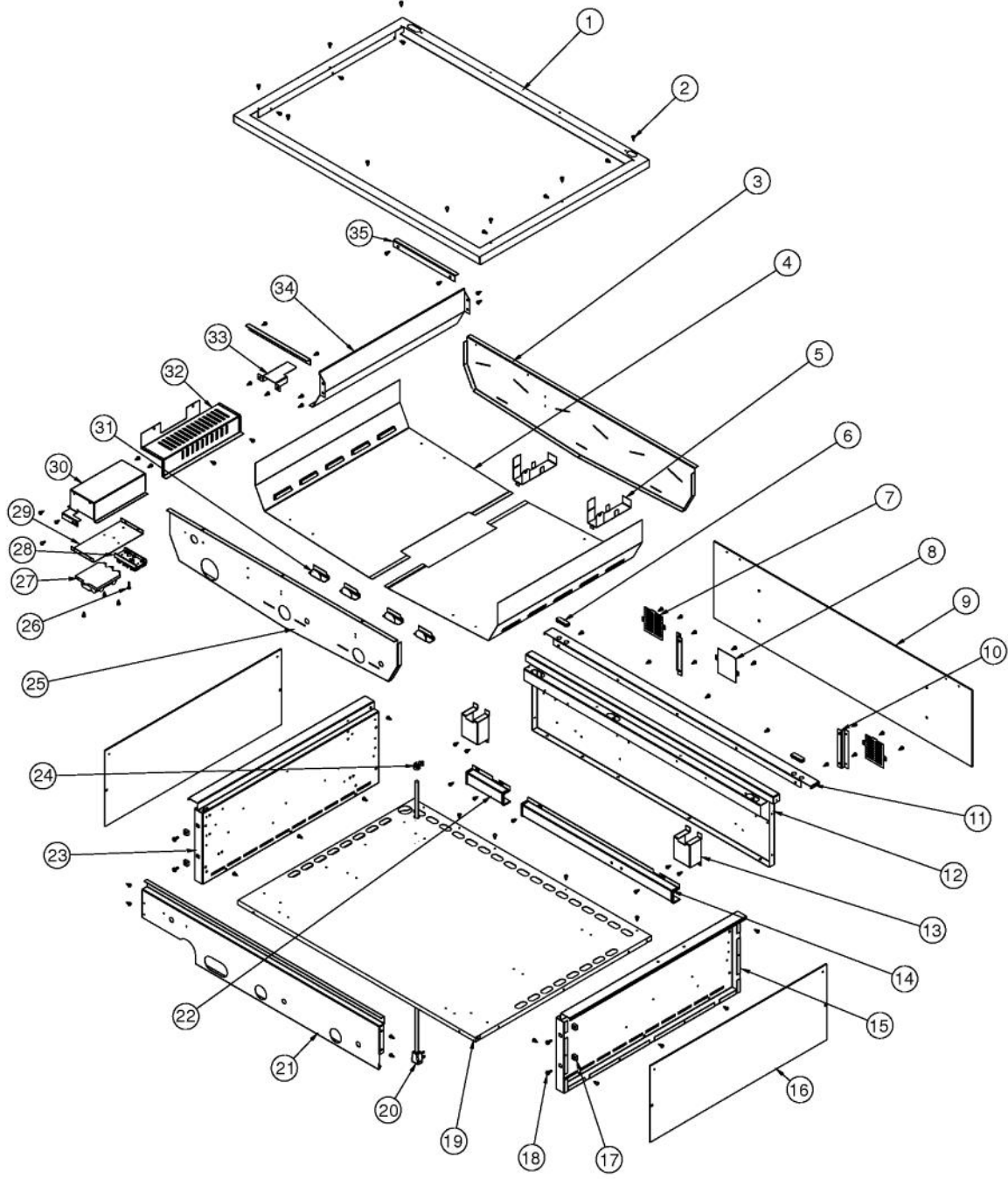
# VIKING VGIQ4103RE2 Owner's Manual

**[Shop genuine replacement parts for VIKING  
VGIQ4103RE2](#)**

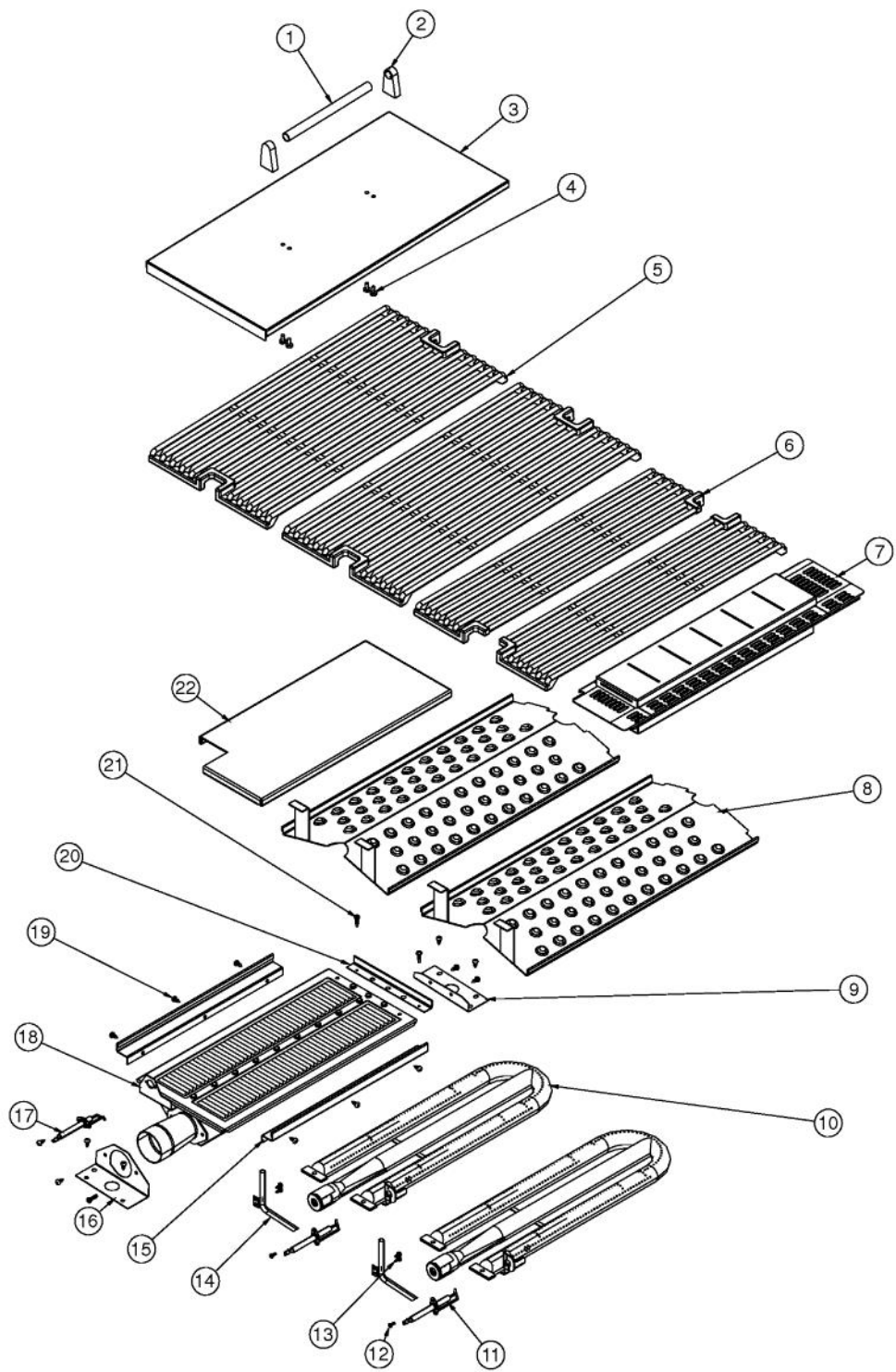


**[Find Your VIKING Grill Parts - Select From 210 Models](#)**

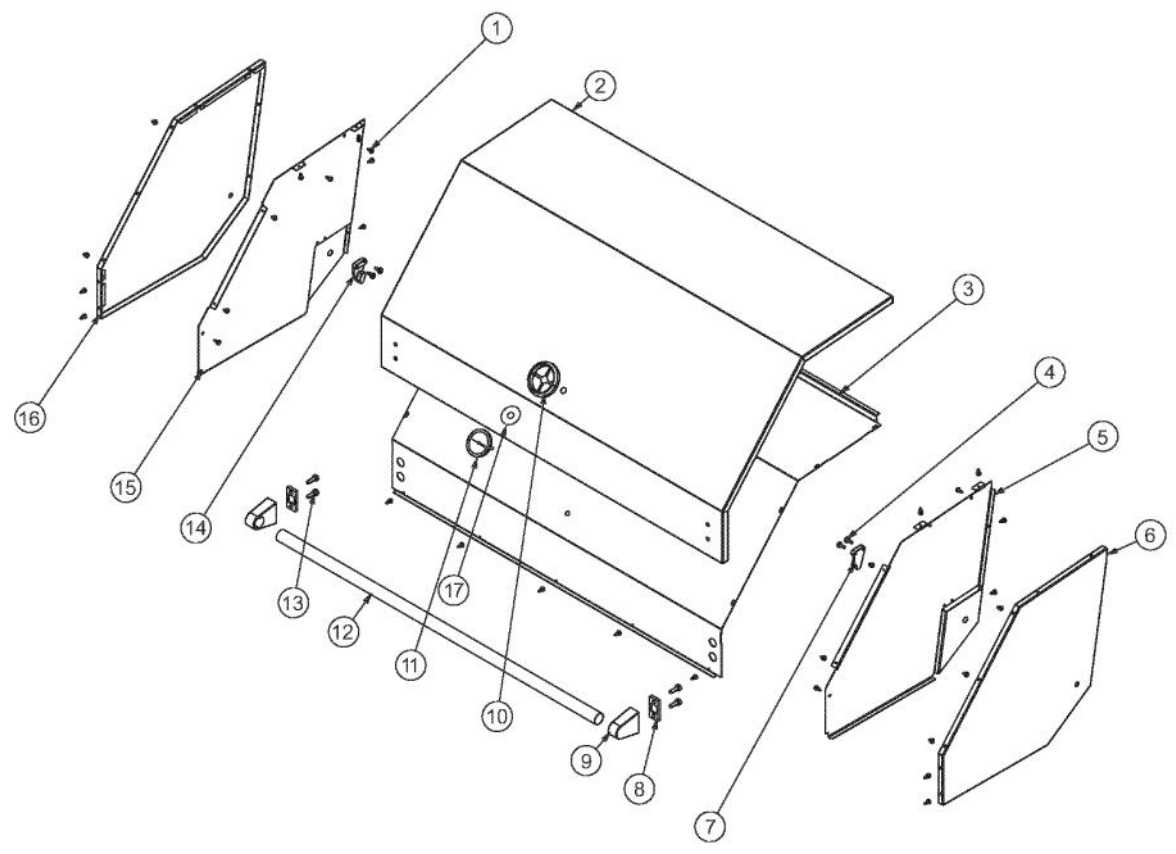
----- Manual continues below -----



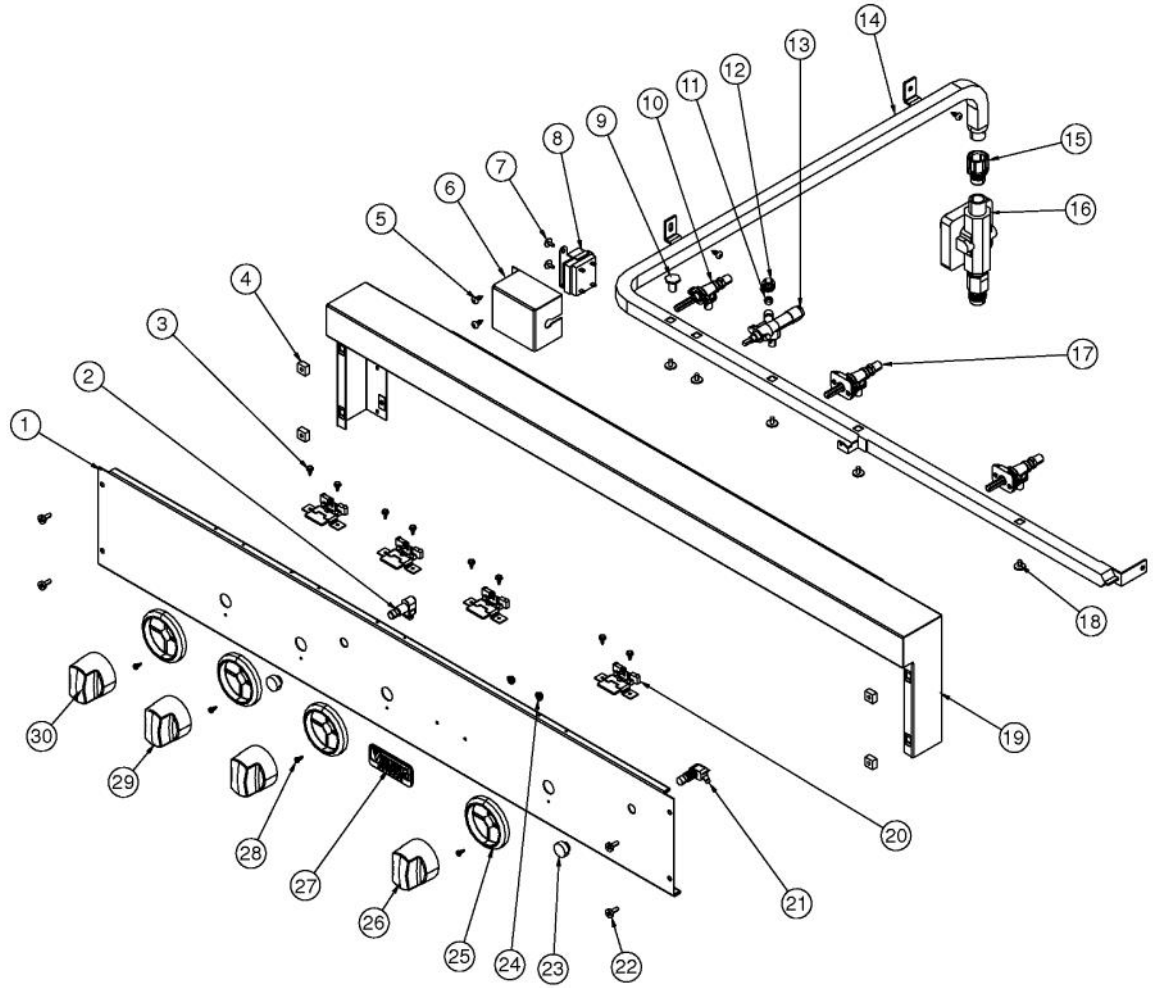
Ref #	Part Number	Qty.	Description
1	B20015515	1	GRILL FRAME 41
2	020051-000	75	SCR, DR, PHLP,PNH, 410SS, NPLT, 10-16 X 1/2
3	021084-000	1	BOX, GRIL, REAR, 41
4	021085-000	2	BOX, GRL BOT, 41
5	006010-000	2	GRILL BURNER REAR BRACKET
6	002671-000	2	RUBBER DOOR BUMPER
7	002353-000	2	GRILL PLUG VENT
8	002354-000	1	GRILL PLUG PLATE
9	L1004881	1	REAR HEAT SHIELD 41 (PHASE 2)
10	B2006305	2	HEAT SHIELD BRACKET
11	003857-000	1	4103 GRILL REAR TRIM
12	B20015512	1	GRILL BOX BACK 41
13	002355-000	2	GRILL RECEPTACLE BOX
14	A20015411	1	GRILL WIRE CHANNEL - 41 REAR
15	B2005203	1	GRILL BOX SIDE RH (PHASE 2)
16	L1005398	2	SIDE HEAT SHIELD
17	PD030050	4	10-24 CAGE NUT SS
18	PD020056	4	NO.10-24 X 1/2 PH.TR. M.S. SS
19	B20015509	1	GRILL BOX BOTTOM 41
20	PE070791	1	GRILL POWER SUPPLY CORD (8 FT)
21	025752-000	1	SUPPORT, GRL, FR, 41
22	A20015412	1	GRILL WIRE CHANNEL - 42 SHORT
23	B2005204	1	PANEL, GRL, LH
24	PD040044	1	SNAP THRU BUSHING 1/4DIA CORD
25	021083-000	1	BOX, GRL, FR
26	PD020166	1	NO.10 X 3/4 PAN PHIL. TEK. XSSX
27	PA020047	1	INVENSYS 0+4 RE-IGNITION SPARK MODULE
28	PE070855	1	E SERIES TERMINAL BLOCK
29	B20015568	1	0+4 SM/TB HOUSING BTM
30	B30015552	1	0+4 SPARK MODULE TERMINAL HOUSING
31	006011-000	4	GRILL BURNER FRONT BRACKET
32	004089-000	1	POWER CORD SHIELD
33	B2008939	1	IR SPARK IGNITOR COVER
34	B20011414	1	BURNER BOX DIVIDER (VGIQ300T)
35	B2008936	2	GRATE SPACER
NI	025700-000	1	HOUSING, MDL, ASM, LH (INCLUDES ITEMS 30, 29, 27, 28, 2, & 26)



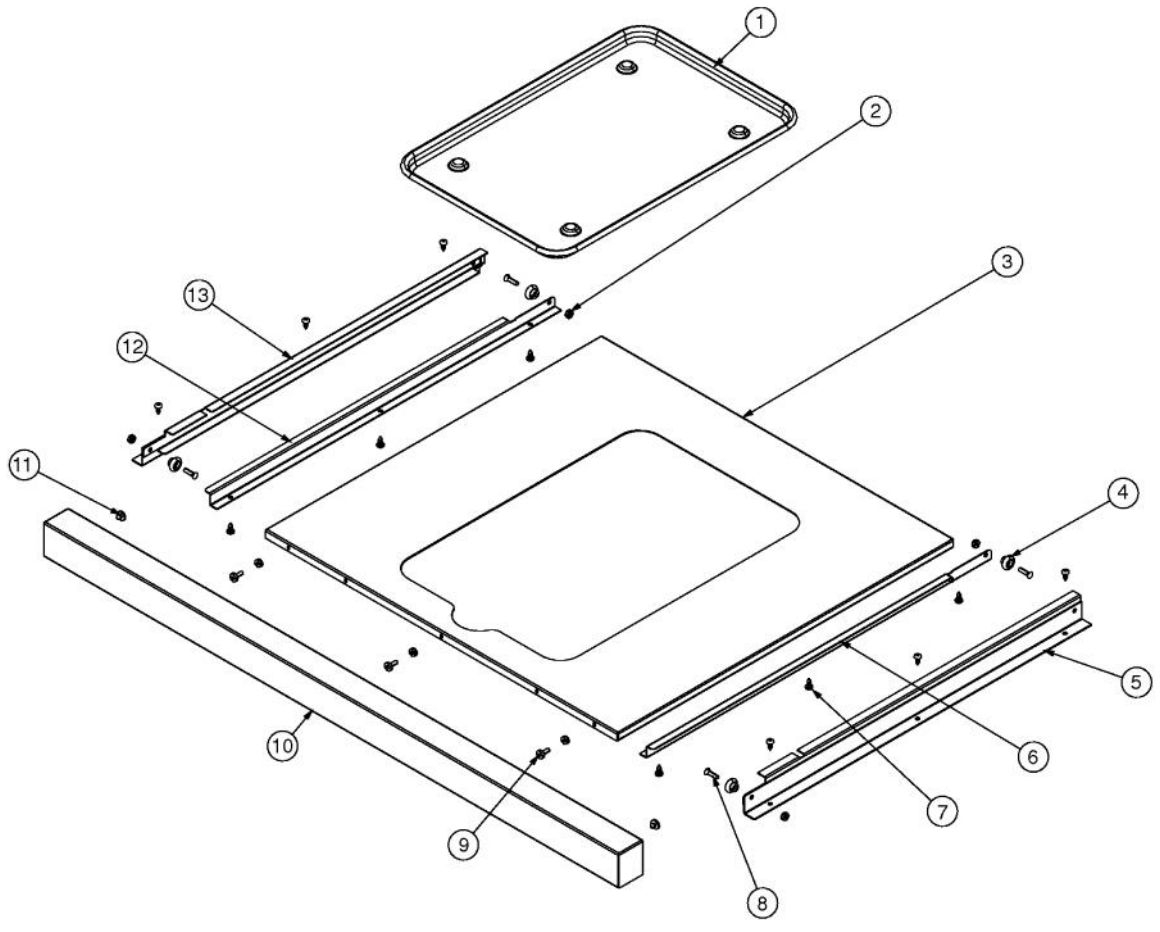
Ref #	Part Number	Qty.	Description
1	PE030197	1	VGIQ30 COVER HANDLE
2	PE030187	2	ENDCAP, TUBE
3	B20015415	1	VGIB151/VGIQ COVER
4	PD020056	4	NO.10-24 X 1/2 PH.TR. M.S. SS
5	002369-000	2	REDESIGN BBQ GRATE - FULL
6	002370-000	2	REDESIGN BBQ GRATE - HALF
7	G3005350	1	SMOKER BOX ASSY (VGBQ3002RT)
8	024157-000	2	SHIELD, GRS
9	B2008946	1	42 BACK BURNER BRACKET
10	023000-000	2	BURNER, GRL, ASM, U
11	PB040288	2	SMOKER BURNER IGNITER
12	004706-000	2	MACHINE SCREW, 6-32 X 3/8, PAN HD, PHILLIPS
13	008026-000	4	NO.6-20 HEX WASHER SS SCREW
14	PB020114	2	FLASH TUBE (VGBQ3002T)
15	B2008925	2	SIDE SCREEN RAIL
16	B2008945	1	42 FRONT BURNER BRACKET
17	PB040288	1	SMOKER BURNER IGNITER
18	G3208947	1	IR BURNER ASSY
19	020051-000	14	SCR, DR, PHLP,PNH, 410SS, NPLT, 10-16 X 1/2
20	B2008962	1	BACK SCREEN RAIL
21	PD020166	3	NO.10 X 3/4 PAN PHIL. TEK. XSSX
22	B2008943	1	GREASE SCREEN
NI	025701-000	1	BURNER, GRL, ASM (INCLUDES ITEMS 10, 11, & 12)



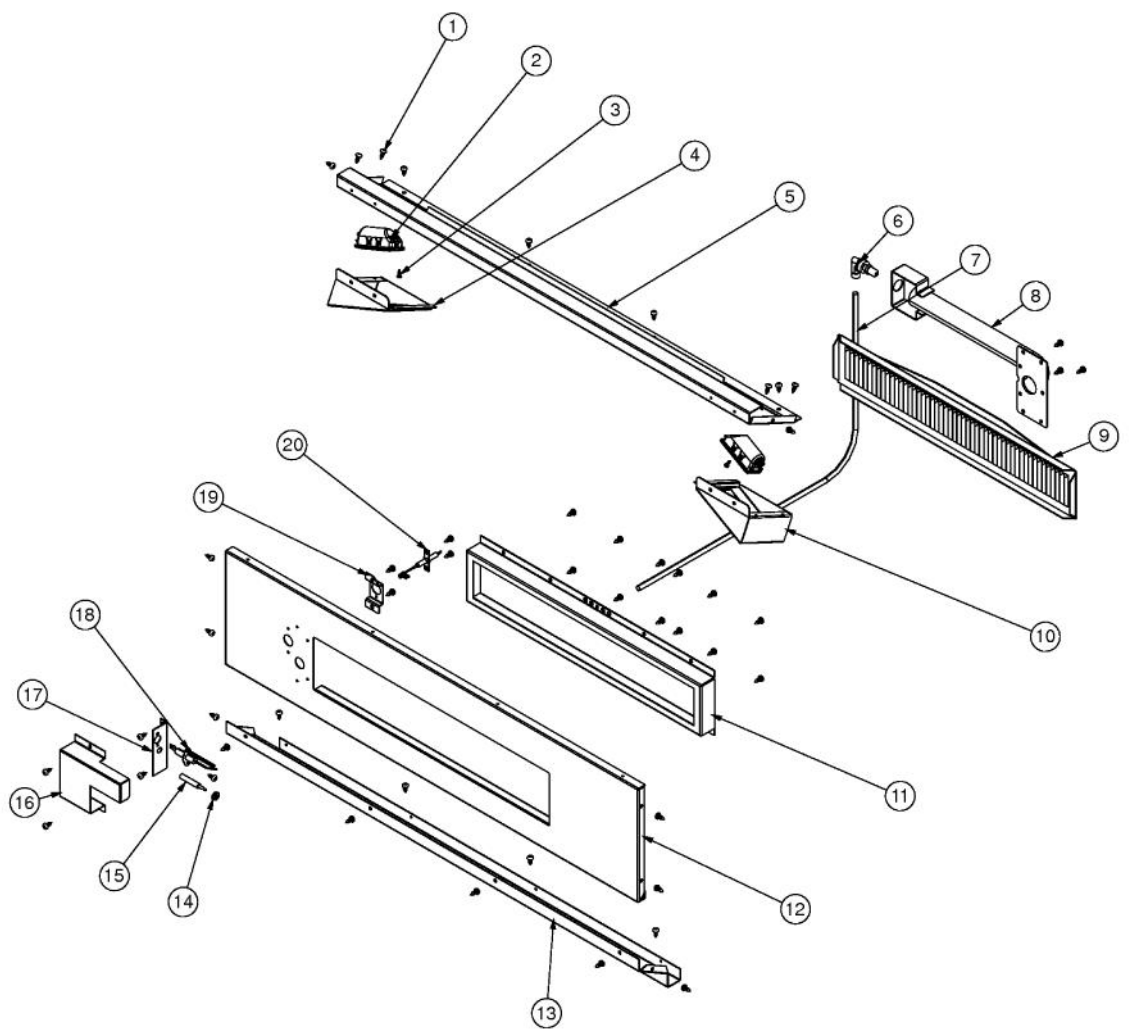
Ref #	Part Number	Qty.	Description
1	020051-000	31	SCR, DR, PHLP,PNH, 410SS, NPLT, 10-16 X 1/2
2	025893-000	1	HOOD, GRL, 41
3	003637-000	1	41 CANOPY HEAT SHIELD
4	PD020056	4	NO.10-24 X 1/2 PH.TR. M.S. SS
5	007379-000	1	GRILL CANOPY INSIDE RH
6	003630-000	1	GRILL CANOPY OUTSIDE RH
7	007215-000	1	CANOPY SPRING END MOUNT-RH
8	PD040010	2	DOOR HANDLE SPACER
9	000268-000	2	HANDLE END CAP ASSY
10	PB010304	1	KNOB BEZEL
11	020659-000	1	GAUGE, BMTL, TEMPERATURE
12	PE030040	1	DOOR/CNPY HNDLE - RPLCS PE930090
13	PD020069	4	CAP SCREW 1/4-20 X 3/4 SS
14	005941-000	1	CANOPY SPRING END MOUNT-LH
15	003633-000	1	GRILL CANOPY INSIDE LH
16	003632-000	1	GRILL CANOPY OUTSIDE LH
17	026724-000	1	SPACER, WSHR
NI	025756-000	1	HOOD, GRL, ASM, 41 INCLUDES ITEMS 1 - 16



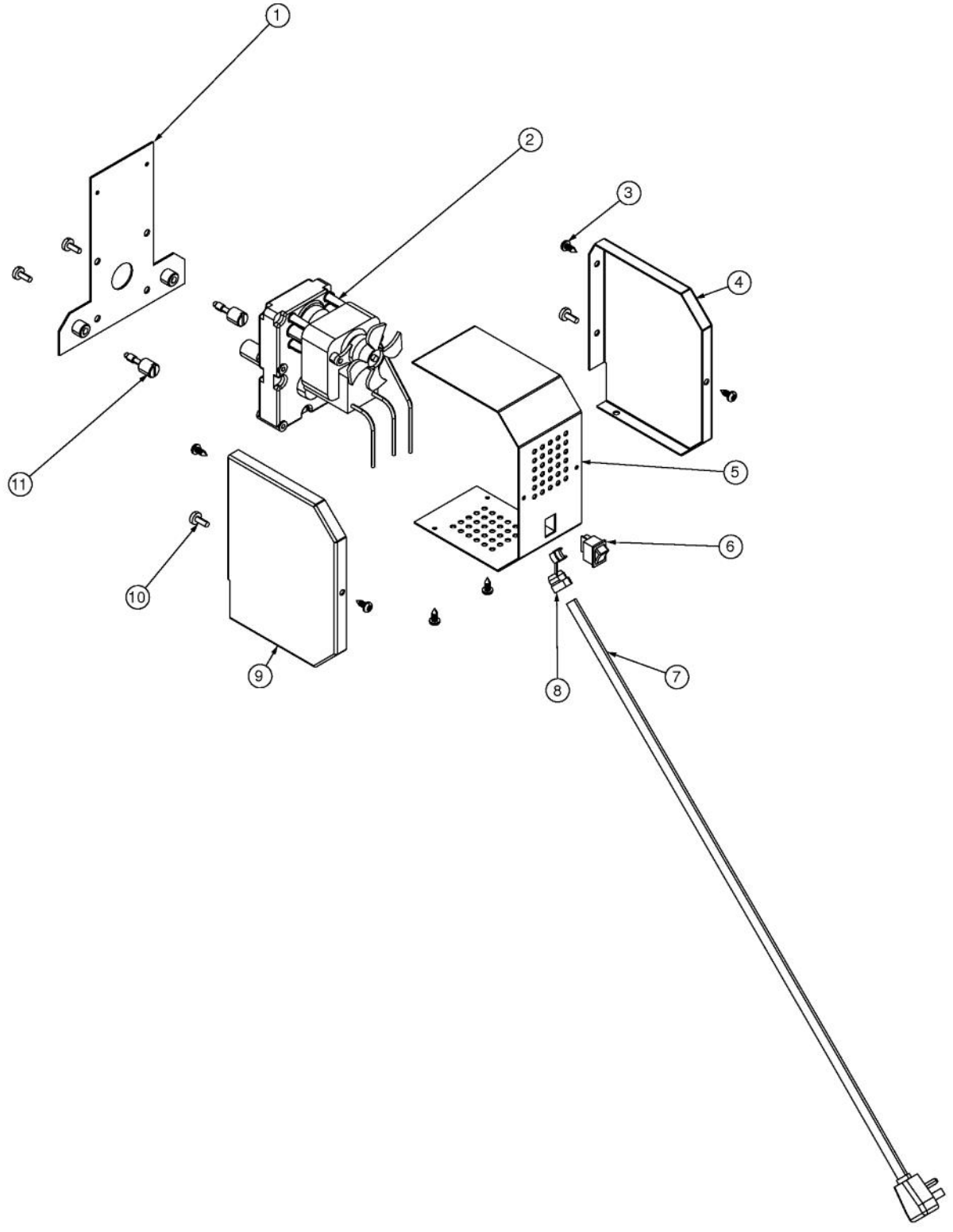
Ref #	Part Number	Qty.	Description
1	025754-000	1	PANEL, CTRL, VGIQ4103RE2
2	PE050063	1	SPARKER SWITCH
3	008026-000	8	NO.6-20 HEX WASHER SS SCREW
4	PD030050	4	10-24 CAGE NUT SS
5	020051-000	4	SCR, DR, PHLP,PNH, 410SS, NPLT, 10-16 X 1/2
6	007657-000	1	PROT. COVER
7	PD020073	2	SRW NO.10 X 24 X 3/8 WAFER HD TYPE23
8	006021-000	1	SCE, PWR, LED, 12VAC
9	002884-000	1	MANIFOLD PLUG
10	008773-000	1	VALVE, GAS ASM - NAT.
10	008772-000	1	VALVE, GAS ASM - LP
11	PB040263	1	5/16 FERRULE
12	PB040228	1	FITTING BRASS COMPRESSION NUT
13	PB010191	1	I.R. SAFETY VALVE (PHASE II GRILLS)
13	PB010220	1	I.R. SAFETY VALVE LP
14	025866-000	1	MANIFOLD, GAS, IQ4103
15	023650-000	1	NIPPLE, ASM
16	G3004936	1	REGULATOR ASSY - NAT (P1 GRILL)
16	G3004937	1	REGULATOR ASSY - L.P. W/HOSE
17	006388-000	2	GAS VALVE - NAT.
17	006389-000	2	GAS VALVE - LP
18	PD010012	5	VALVE BOLT 1/4-20 UNC-2B 5/16 M.S.
19	G3005222	1	LANDING LEDGE ASSY-41 (PHASE 2)
20	005999-000	4	LED BOARD ASSEMBLY
21	PE050019	1	OVEN LIGHT SWITCH (VGSO166) 90-DEG.
22	PD020056	4	NO.10-24 X 1/2 PH.TR. M.S. SS
23	PB010163	2	OVEN LIGHT SWITCH KNOB BK
24	PD030006	2	CAPPED WASHER PAL NUT
25	PB010304	4	KNOB BEZEL
26	003561-000	2	OUTDOOR GRILL KNOB
27	015009-000	1	OUTDOOR LOGO - 3 CHROME
28	020041-000	4	SCR, DR, PH, PNH, 410 SS, NPLT, 6-20 X 3/8
29	003563-000	1	ROTIS BURNER KNOB
30	003562-000	1	OUTDOOR IR GRILL KNOB
NI	025702-000	1	HOUSING, XFMR, ASM (INCLUDES ITEMS 6, 8, & 7)
NI	025747-000	1	MANIFOLD, GRL, ASM, VGIQ4103 (INCLUDES ITEMS 14, 10, 17, 13, 9, 18, & 15)
NI	026745-000	1	MANIFOLD, LP, GAS ASSEMBLY, VGIQ4103RE2 (INCLUDES ITEMS 14, 10, 17, 13, 9, 18, & 15)
NI	025755-000	1	PANEL, CTRL, ASM, VGIQ4103RE2 (INCLUDES ITEMS 1, 27, 24, 25, 2, 21, 23, 20, & 3)



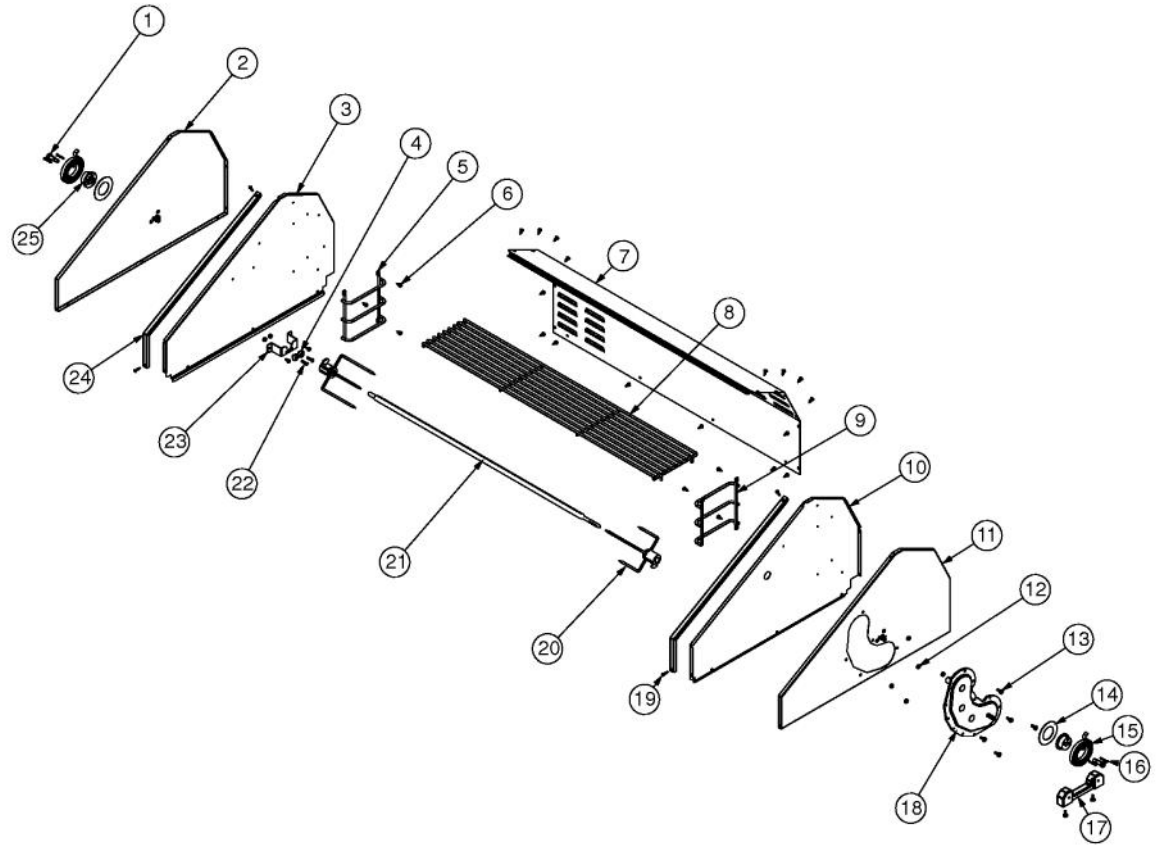
Ref #	Part Number	Qty.	Description
1	J2101749	1	GREASE PAN
2	PD030044	7	10-24 KEPS NUT SS
3	B2005310	1	DRIP TRAY 41 (VGBQ4103RT)
4	PC020025	4	DRIP TRAY WHEEL
5	G3005215	1	DRIP TRAY SLIDE - RH
6	B2005316	1	DRIP TRAY RUNNER RH
7	020051-000	12	SCR, DR, PHLP,PNH, 410SS, NPLT, 10-16 X 1/2
8	PD020082	4	10 X 24 COUNTERSUNK S.S. SCREW
9	PD020056	3	NO.10-24 X 1/2 PH.TR. M.S. SS
10	B3005314	1	41 DRIP TRAY HANDLE (PHASE 2)
11	PD040004	2	GROMMET BUMPER
12	B2005317	1	DRIP TRAY RUNNER LH (PHASE 2)
13	G3005214	1	DRIP TRAY SLIDE - LH
NI	G3205306	1	41`` DRIP TRAY ASSY (PHASE 2) (INCLUDES ITEMS 3, 12, 6, 4, 2, & 10)



Ref #	Part Number	Qty.	Description
1	020051-000	48	SCR, DR, PHL,PNH, 410SS, NPLT, 10-16 X 1/2
2	001310-000	2	120V HALOGEN LIGHT
3	020041-000	2	SCR, DR, PH, PNH, 410 SS, NPLT, 6-20 X 3/8
4	000602-000	1	GRILL LIGHT HOUSING LH
5	G91015562	1	41 E SERIES LIGHT BAR
6	PB040124	1	90 DEG. ORIFICE FITTING
6	PB040125	1	ORIFICE FTG 90D 20IR NO.57 HD YELLOW
7	PB020096	1	48 5/16 S.S. FLEX TUBING REPL F2003505
8	PB050060	1	I/R VENTURI (PHASE 2 BBQ)
9	G3005289	1	BURNER,ASM,,ASM,IR,20
10	000603-000	1	GRILL LIGHT HOUSING RH
11	B2005347	1	INFRARED FRAME
12	G91015545	1	41 FRONT HOUSING WELD ASSY
13	E91014431	1	FRONT HOUSING BOTTOM 41
14	PD030048	1	THERMCOUPLE NUT M08-VGBQ-8743300007
15	PB010210	1	FULL THERMOCOUPLE
16	B20015402	1	I/R IGNITOR COVER LH
17	B20015403	1	IR IGNITOR BRACKET
18	PB040160	1	WOK IGNITER
19	B20015401	1	FLEXIBLE IGNITOR STANDOFF
20	PB040280	1	FLEXIBLE ROTISSERIE IGNITOR



Ref #	Part Number	Qty.	Description
1	002081-000	1	ROT MOTOR MOUNTING PLATE ASSY
2	PE070184	1	ROTISSERIE MOTOR
3	020051-000	6	SCR, DR, PHLP,PNH, 410SS, NPLT, 10-16 X 1/2
4	B2005285	1	PHASE II ROTIS BOX FRONT
5	B2005286	1	PHASE II ROTIS COVER
6	PE050051	1	ROTISSERIE SWITCH
7	PE070189	1	ELECTRICAL SUPPLY CORD - BBQ GRILL
8	PD040044	1	SNAP THRU BUSHING 1/4DIA CORD
9	B2005284	1	PHASE II ROTIS BOX FRONT
10	PD020056	4	NO.10-24 X 1/2 PH.TR. M.S. SS
11	PD010090	2	ROTISSERIE FASTENER KNOB
NI	G3205282	1	ROTISSERIE MOTOR ASSEMBLY (PHASE 2) (INCLUDES ITEMS 1 THRU 11)



Ref #	Part Number	Qty.	Description
1	034607-000	2	FASTENER, BOLT, 5/16 - 1-1/2
2	G5005257	1	OUTSIDE WINDSHIELD ASSY LH
3	B20015419	1	INSIDE WINDSHIELD LH
4	PC020025	2	DRIP TRAY WHEEL
5	PB060113	1	WARMING RACK SUPPORT LH
6	020051-000	24	SCR, DR, PHLP,PNH, 410SS, NPLT, 10-16 X 1/2
7	003653-000	1	41 GRILL REAR COVER
8	PB060056	1	WARMING RACK 41
9	PB060112	1	WARMING RACK SUPPORT RH
10	B20015418	1	INSIDE WINDSHIELD RH
11	G5005256	1	OUTSIDE WINDSHIELD ASSY RH
12	PD030044	7	10-24 KEPS NUT SS
13	PD020056	7	NO.10-24 X 1/2 PH.TR. M.S. SS
14	007818-000	2	RETAINER, CANOPY SPRING
15	007206-000	2	CANOPY, SPRING, ASSIST- LIGHT
16	006779-000	4	NO.6-32 X 1.0 SS FLAT HD SCREW
17	PB060055	1	ROTISSERIE MOUNT CASTING
18	PC070024	1	ROTIS. GEAR BOX ASSY
19	020037-000	4	SCR, DR, FCSKHP, 410 SS, NPLT, 8-18 X 3/4
20	PB060058	2	SPIT FORK
21	PB060053	1	ROTIS SPIT ROD 41
22	PD020082	2	10 X 24 COUNTERSUNK S.S. SCREW
23	B2005278	1	ROTISSERIE ROLLER BRACKET (PHASE 2)
24	B20015574	1	GRILL WINDSHIELD TRIM
25	005942-000	2	SPRING INDEX

*No Image  
Available*

Ref #	Part Number	Qty.	Description
NI	026342-000	1	HARN, MAIN, 4103RE2

*No Image  
Available*

Ref #	Part Number	Qty.	Description
NI	G4006379	1	WIRE ASSY (VGBQ-T SERIES) 25

*No Image  
Available*

Ref #	Part Number	Qty.	Description
NI	G40016230	1	IGNITOR WIRE 40

*No Image  
Available*

Ref #	Part Number	Qty.	Description
NI	G40016227	1	IGNITOR WIRE 18

*No Image  
Available*

Ref #	Part Number	Qty.	Description
NI	025323-000	1	HARNESS, WIRE, ROTISSERIE

*No Image  
Available*

Ref #	Part Number	Qty.	Description
NI	006017-000	2	LED WIRE 4.875

*No Image  
Available*

Ref #	Part Number	Qty.	Description
NI	006019-000	1	LED WIRE 10.75

*No Image  
Available*

Ref #	Part Number	Qty.	Description
NI	006105-000	1	LED WIRE 11.50

*No Image  
Available*

Ref #	Part Number	Qty.	Description
NI	006384-000	1	30 & 41 WIRE ASSEMBLY

*No Image  
Available*

Ref #	Part Number	Qty.	Description
NI	G50013595	1	LP CONNECTION SERVICE KIT