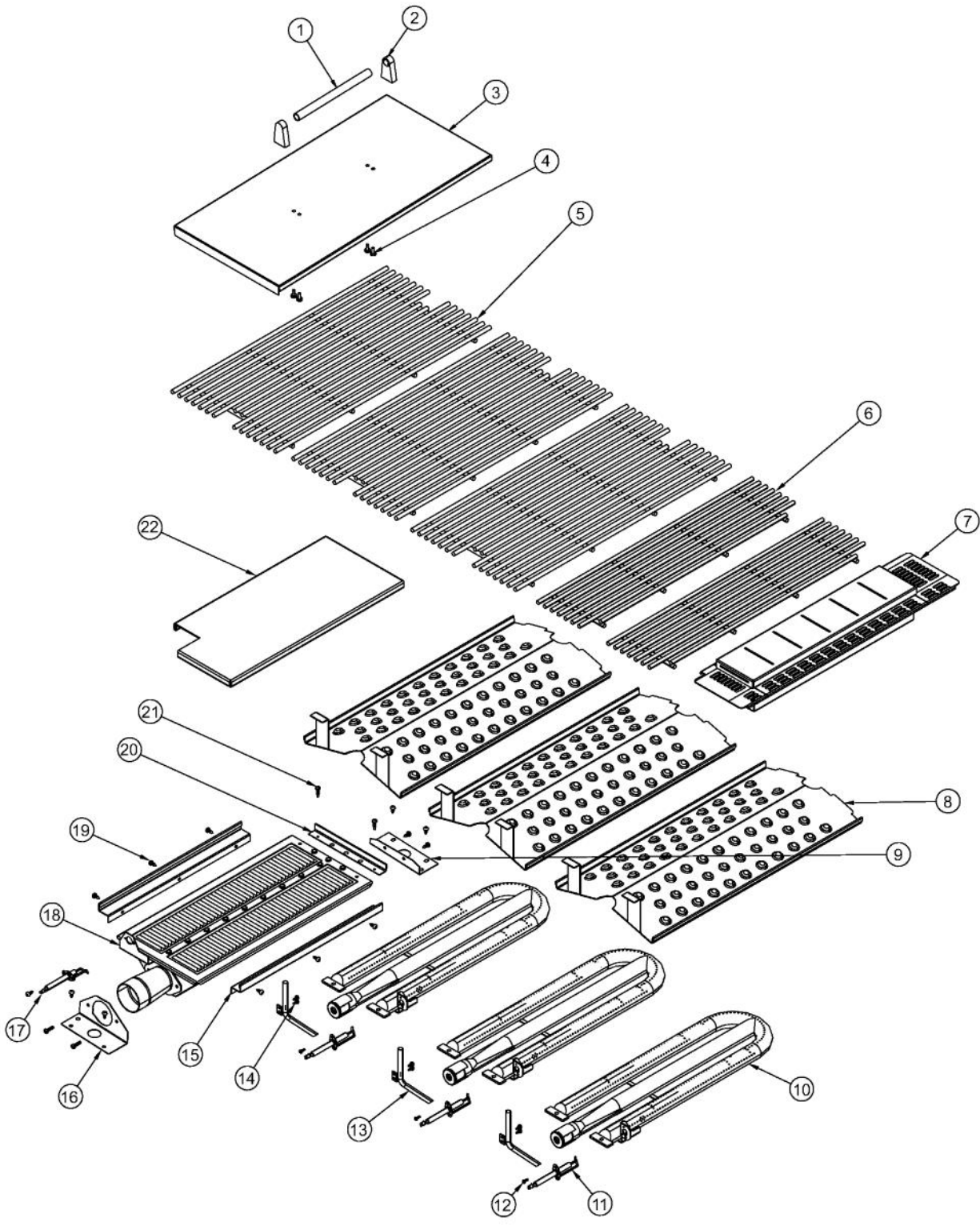
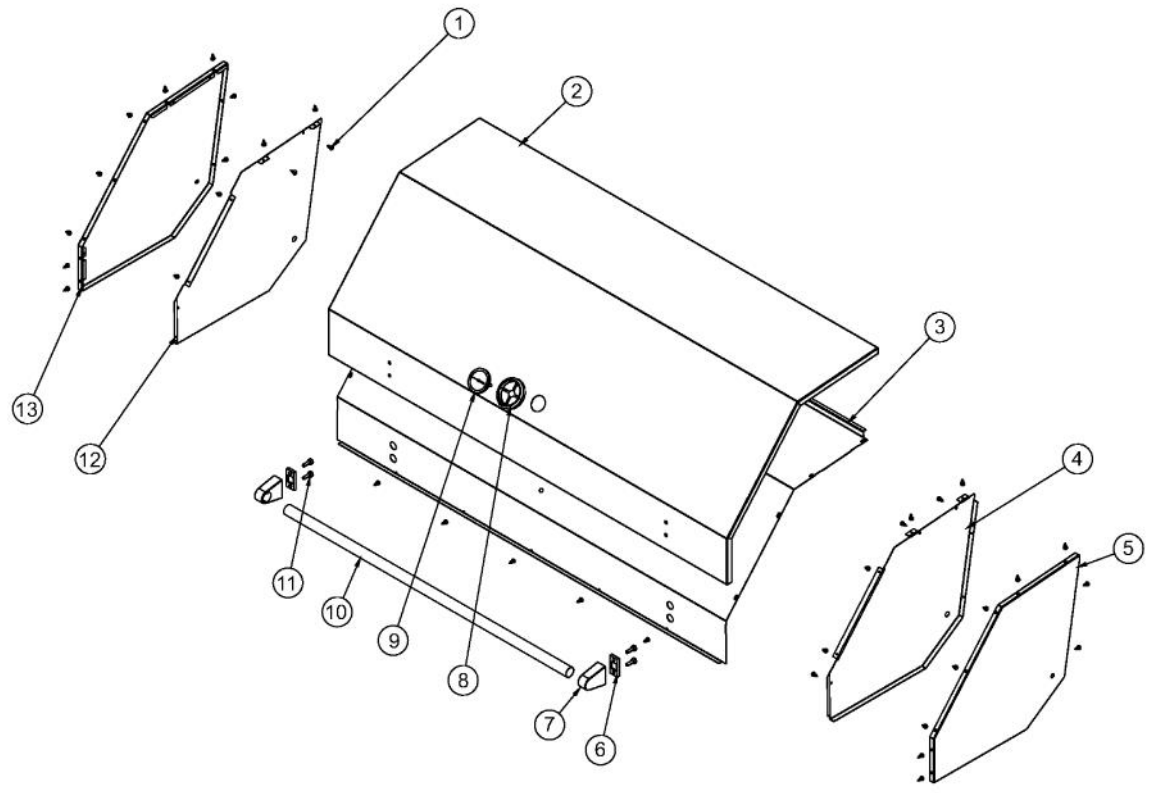


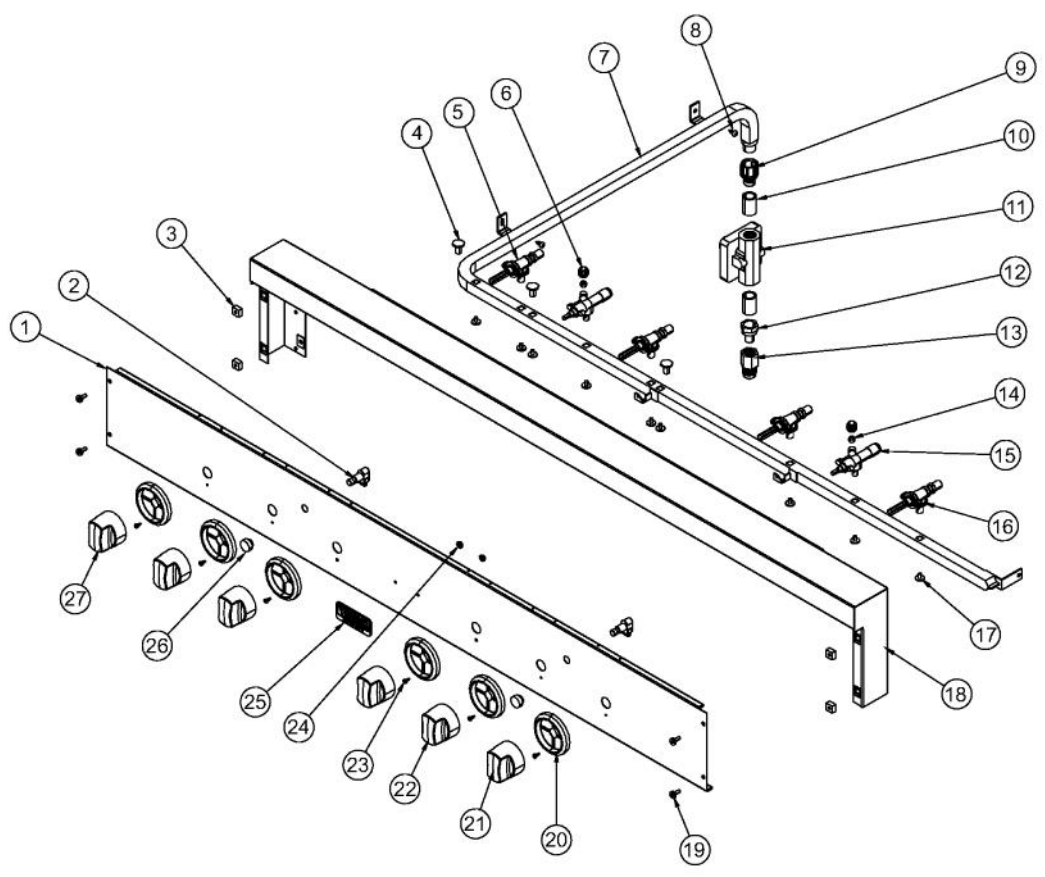
Ref #	Part Number	Qty.	Description
1	020051-000	79	SCR, DR, PHLP,PNH, 410SS, NPLT, 10-16 X 1/2
2	B20015514	1	GRILL FRAME 53
3	025544-000	2	BOX, BNR, BACK, 30
4	025543-000	4	BOX, BRN, BOT, 30
5	006010-000	4	GRILL BURNER REAR BRACKET
6	002671-000	2	RUBBER DOOR BUMPER
7	002354-000	3	GRILL PLUG PLATE
8	L1004882	1	REAR HEAT SHIELD - 53``
9	B2006305	3	HEAT SHIELD BRACKET
10	003858-000	1	5304 GRILL REAR TRIM
11	B20015511	1	GRILL BOX BACK 53
12	002355-000	2	GRILL RECEPTACLE BOX
13	B2005203	1	GRILL BOX SIDE RH (PHASE 2)
14	L1005398	2	SIDE HEAT SHIELD
15	PD030050	4	10-24 CAGE NUT SS
16	B20015508	1	GRILL BOX BOTTOM 53
17	PE070791	1	GRILL POWER SUPPLY CORD (8 FT)
18	B2005244	1	BURNER BOX CENTER TRIM
19	025566-000	1	SUPPORT, GRL, FR, 53
20	B2005250	2	SPARK MODULE BRACKET (PHASE 2)
21	PD020166	4	NO.10 X 3/4 PAN PHIL. TEK. XSSX
22	PA020036	2	SPARK MODULE
23	PM010049	2	SPARK MODULE BATTERY PHASE II
24	PD040044	1	SNAP THRU BUSHING 1/4DIA CORD
25	PD020056	4	NO.10-24 X 1/2 PH.TR. M.S. SS
26	B2005204	1	PANEL, GRL, LH
27	025542-000	2	BOX, BNR, FR, 30
28	006011-000	8	GRILL BURNER FRONT BRACKET
29	B2008939	1	IR SPARK IGNITOR COVER
30	B20011414	1	BURNER BOX DIVIDER (VGIQ300T)
31	B2008936	2	GRATE SPACER



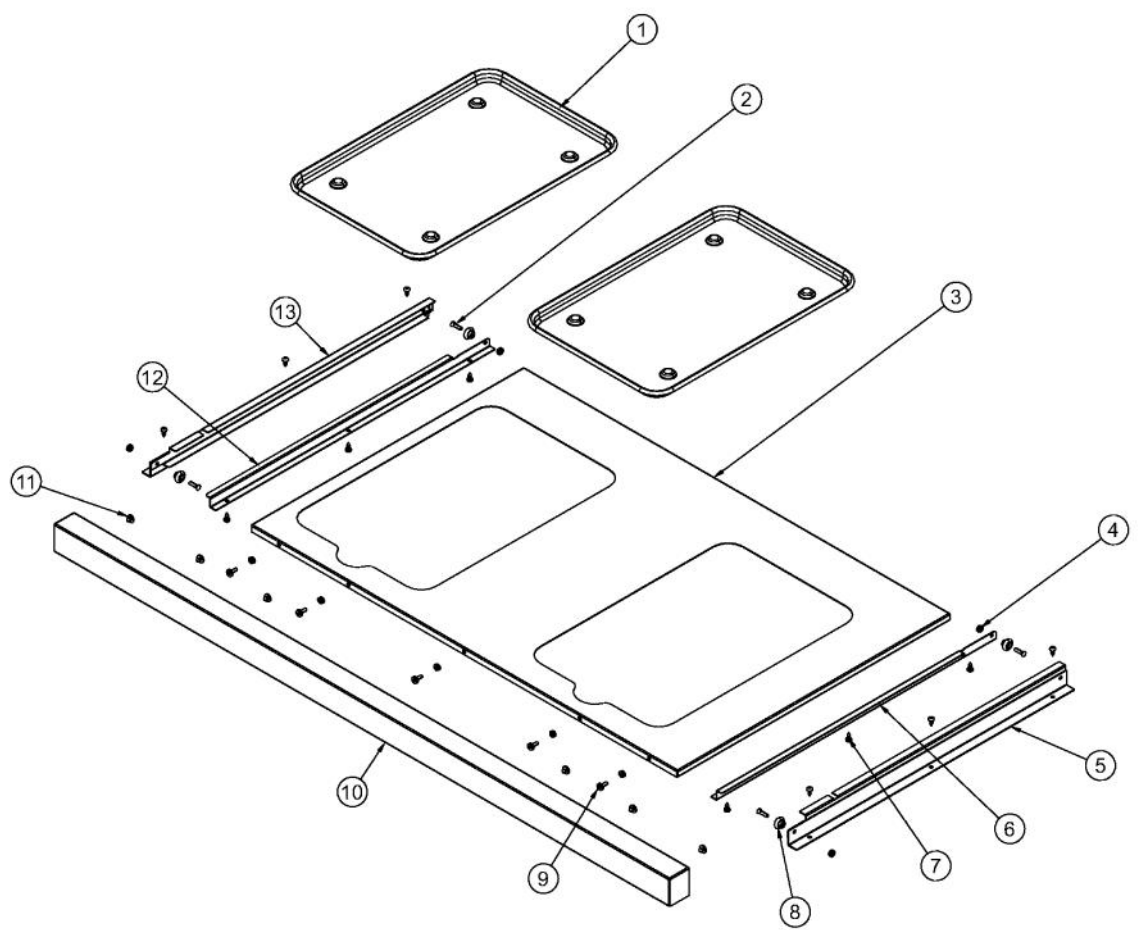
Ref #	Part Number	Qty.	Description
1	PE030197	1	VGIQ30 COVER HANDLE
2	PE030187	2	ENDCAP, TUBE
3	B20015415	1	VGIB151/VGIQ COVER
4	PD020056	4	NO.10-24 X 1/2 PH.TR. M.S. SS
5	PA060052	3	GRILL COOKING GRATES
6	PA060053	2	HALF GRILL GRATE
7	G3005350	1	SMOKER BOX ASSY (VGBQ3002RT)
8	024157-000	2	SHIELD, GRS
9	B2008932	1	BACK BURNER BRACKET
10	023000-000	2	BURNER, GRL, ASM, U
11	PB040288	3	SMOKER BURNER IGNITER
12	004706-000	3	MACHINE SCREW, 6-32 X 3/8, PAN HD, PHILLIPS
14	020061-000	6	SCR,DR,PHLP,HXWH,410SS,NPLT, 6-20 X 3/8
13	PB020114	3	FLASH TUBE (VGBQ3002T)
15	B2008925	2	SIDE SCREEN RAIL
16	B2008931	1	52 FRONT BURNER BRACKET
17	PB040288	1	SMOKER BURNER IGNITER
18	G3208933	1	IR BURNER ASSY
19	020051-000	14	SCR, DR, PHLP,PNH, 410SS, NPLT, 10-16 X 1/2
20	B2008962	1	BACK SCREEN RAIL
21	PD020166	4	NO.10 X 3/4 PAN PHIL. TEK. XSSX
22	B2008943	1	GREASE SCREEN
NI	025701-000	3	BURNER, GRL, ASM (INCLUDES ITEMS 10, 11, & 12)
NI	G32015421	1	IR COVER ASSY (VGIQ30) (INCLUDES ITEMS 1, 2, 3, & 4)



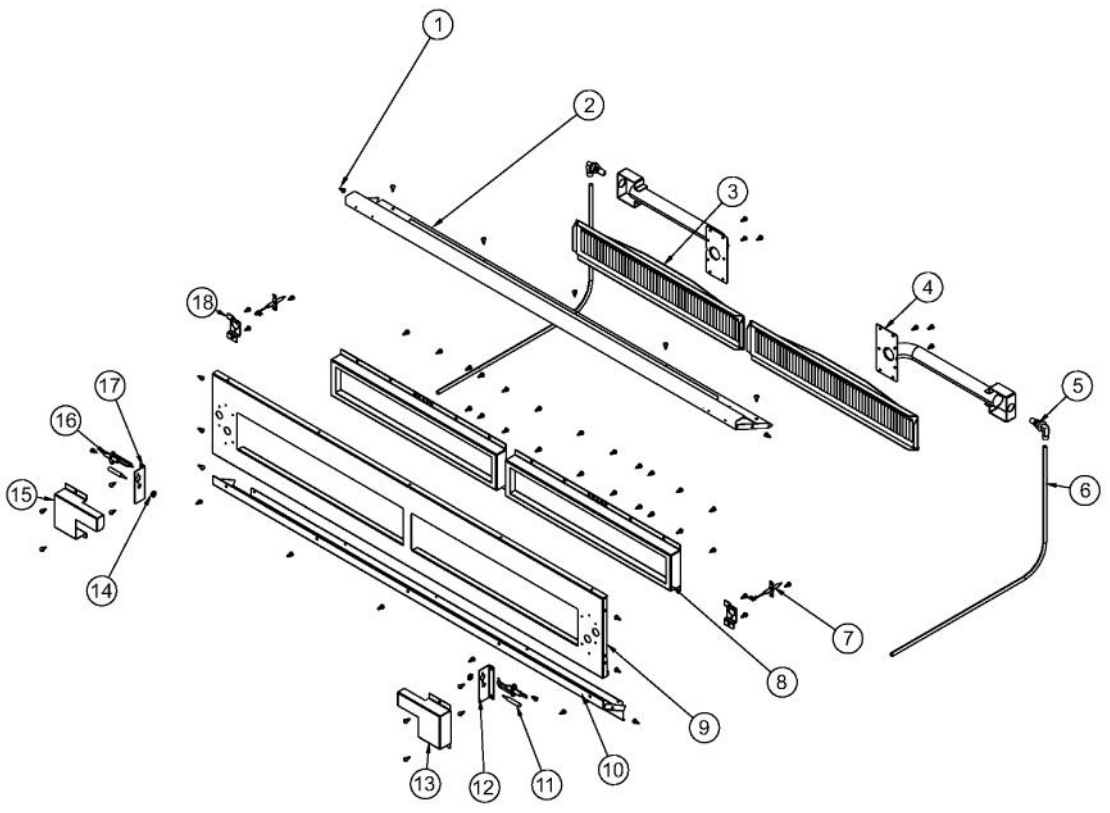
Ref #	Part Number	Qty.	Description
1	020051-000	37	SCR, DR, PHLP,PNH, 410SS, NPLT, 10-16 X 1/2
2	026242-000	1	HOOD, GRL, OTR, 41
3	003639-000	1	53 CANOPY HEAT SHIELD
4	006667-000	1	GRILL CANOPY INSIDE LH
5	003630-000	1	GRILL CANOPY OUTSIDE RH
6	PD040010	2	DOOR HANDLE SPACER
7	000268-000	2	HANDLE END CAP ASSY
8	PB010304	1	KNOB BEZEL
9	020659-000	1	GAUGE, BMTL, TEMPERATURE
10	PE030040	1	DOOR/CNPY HNDLE - RPLCS PE930090
11	PD020069	4	CAP SCREW 1/4-20 X 3/4 SS
12	006666-000	1	GRILL CANOPY INSIDE RH
13	003632-000	1	GRILL CANOPY OUTSIDE LH
NI	026005-000	1	HOOD ASM, GRILL, 53 (INCLUDES ITEMS 1 - 13)



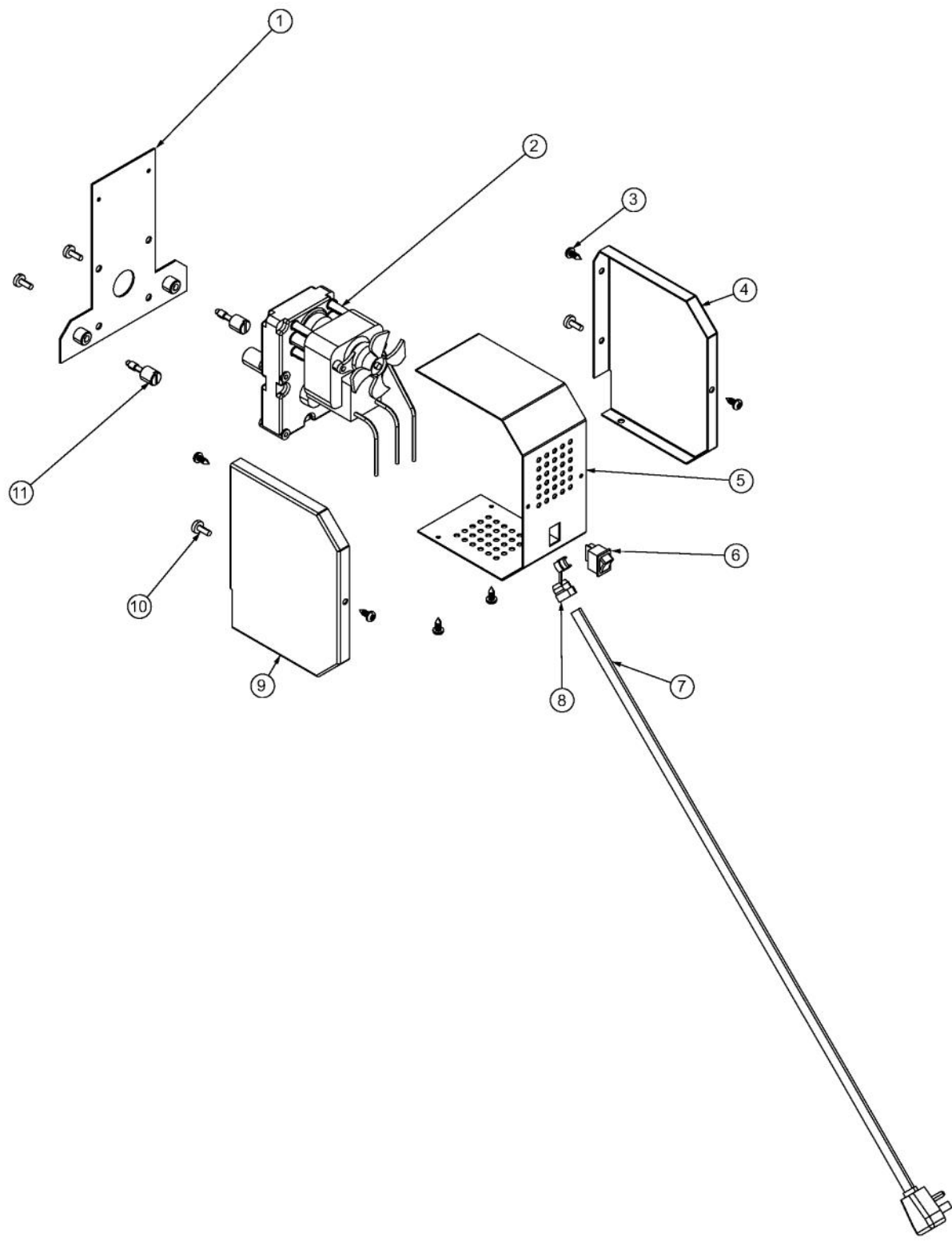
Ref #	Part Number	Qty.	Description
1	026003-000	1	CONTROL PANEL, VGIQ5304RT2
2	PE050063	2	SPARKER SWITCH
3	PD030050	4	10-24 CAGE NUT SS
4	002884-000	3	MANIFOLD PLUG
5	008773-000	1	VALVE, GAS ASM - NAT.
5	008772-000	1	VALVE, GAS ASM - LP
6	PB040228	2	FITTING BRASS COMPRESSION NUT
7	025723-000	1	MANIFOLD, GRL, 53
8	020051-000	2	SCR, DR, PHLP,PNH, 410SS, NPLT, 10-16 X 1/2
9	023650-000	1	NIPPLE, ASM
10	PB040046	2	1/2 CLOSE NIPPLE (VGSO166)
11	PA070006	1	PRESSURE REGULATOR - NATURAL
12	023652-000	1	COUPLER, ASM
13	PB020239	1	7/8 FLARE TO 1/2 FEMALE CONNECTOR
14	PB040263	2	5/16 FERRULE
15	PB010191	2	I.R. SAFETY VALVE (PHASE II GRILLS)
16	014952-000	3	VALVE, GAS, ASM, U BNR
16	014953-000	3	VALVE, GAS, ASM, U BNR - LP
17	PD010012	9	VALVE BOLT 1/4-20 UNC-2B 5/16 M.S.
18	G3005221	1	LANDING LEDGE ASSY - 53
19	PD020056	4	NO.10-24 X 1/2 PH.TR. M.S. SS
20	PB010304	6	KNOB BEZEL
21	003561-000	3	OUTDOOR GRILL KNOB
22	003563-000	2	ROTIS BURNER KNOB
23	020041-000	6	SCR, DR, PH, PNH, 410 SS, NPLT, 6-20 X 3/8
24	PD030006	2	CAPPED WASHER PAL NUT
25	015009-000	1	OUTDOOR LOGO - 3 CHROME
26	PB010163	2	OVEN LIGHT SWITCH KNOB BK
27	003562-000	1	OUTDOOR IR GRILL KNOB
NI	026000-000	1	MANIFOLD, GS, ASM, VGIQ5304RT2 (INCLUDES ITEMS 4, 5, 7, 9, 15, 16, & 17)
NI	026754-000	1	MANIFOLD, LP, GAS ASM, VGIQ5304RT2 (INCLUDES ITEMS 1, 2, 20, 23, 24, 25, 26)
NI	026004-000	1	CONTROL PANEL, ASM VGIQ5304RT2 (INCLUDES ITEMS 1, 2, 20, 23, 24, 25, 26)



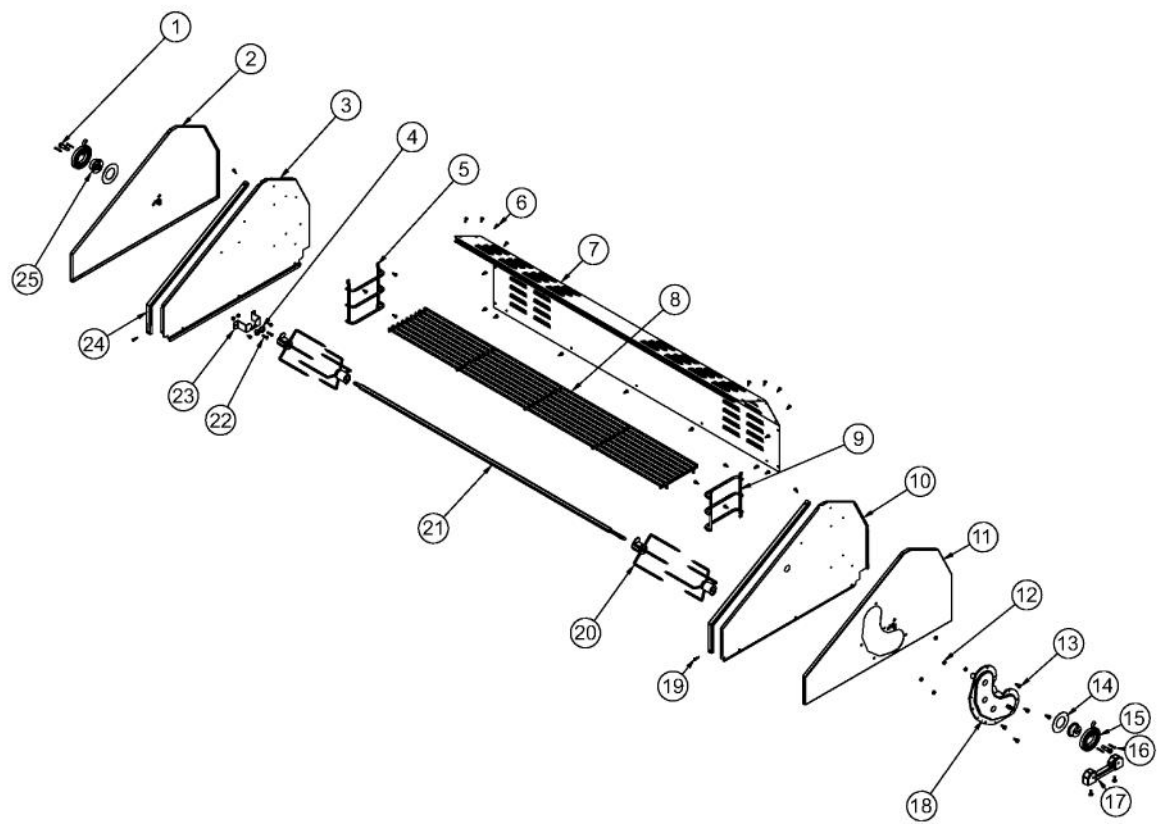
Ref #	Part Number	Qty.	Description
1	J2101749	2	GREASE PAN
2	PD020082	4	10 X 24 COUNTERSUNK S.S. SCREW
3	B2005309	1	DRIP TRAY 41
4	PD030044	10	10-24 KEPS NUT SS
5	G3005215	1	DRIP TRAY SLIDE - RH
6	B2005316	1	DRIP TRAY RUNNER RH
7	020051-000	12	SCR, DR, PHLP,PNH, 410SS, NPLT, 10-16 X 1/2
8	PC020025	4	DRIP TRAY WHEEL
9	PD020056	5	NO.10-24 X 1/2 PH.TR. M.S. SS
10	B3005313	1	53 DRIP TRAY HANDLE
11	PD040004	6	GROMMET BUMPER
12	B2005317	1	DRIP TRAY RUNNER LH (PHASE 2)
13	G3005214	1	DRIP TRAY SLIDE - LH
	G3205305	1	53 DRIP TRAY ASSY (1, 2, 3, 4, 5, 6, 7, 8, 9, 10, 11, 12, & 13)



Ref #	Part Number	Qty.	Description
1	020051-000	62	SCR, DR, PHLP,PNH, 410SS, NPLT, 10-16 X 1/2
2	G9105394	1	53 FRONT HOUSING TOP WELD ASSY
3	G3005289	2	BURNER,ASM,,ASM,IR,20
4	PB050060	2	I/R VENTURI (PHASE 2 BBQ)
5	PB040124	2	90 DEG. ORIFICE FITTING
6	PB020096	2	48 5/16 S.S. FLEX TUBING REPL F2003505
7	PB040280	2	FLEXIBLE ROTISSERIE IGNITOR
8	B2005347	2	INFRARED FRAME
9	G91015546	1	53 FRONT HOUSING WELD ASSY
10	E9107203	1	FRONT HOUSING 53
11	PB010210	2	FULL THERMOCOUPLE
12	B20015518	1	IR IGNITOR BRACKET 53
13	B20015521	1	53 RH ROTISSERIE IGNITOR COVER
14	PD030048	2	THERMOCOUPLE NUT M08-VGBQ-8743300007
15	B20015402	1	I/R IGNITOR COVER LH
16	PB040160	2	WOK IGNITER
17	B20015403	1	IR IGNITOR BRACKET
18	B20015401	2	FLEXIBLE IGNITOR STANDOFF



Ref #	Part Number	Qty.	Description
1	002081-000	1	ROT MOTOR MOUNTING PLATE ASSY
2	PE070184	1	ROTISSERIE MOTOR
3	020051-000	6	SCR, DR, PHLP,PNH, 410SS, NPLT, 10-16 X 1/2
4	B2005285	1	PHASE II ROTIS BOX FRONT
5	B2005286	1	PHASE II ROTIS COVER
6	PE050051	1	ROTISSERIE SWITCH
7	PE070189	1	ELECTRICAL SUPPLY CORD - BBQ GRILL
8	PD040044	1	SNAP THRU BUSHING 1/4DIA CORD
9	B2005284	1	PHASE II ROTIS BOX FRONT
10	PD020056	4	NO.10-24 X 1/2 PH.TR. M.S. SS
11	PD010090	2	ROTISSERIE FASTENER KNOB



Ref #	Part Number	Qty.	Description
1	PD010043	2	5/16INCH SHOULDER BOLT (PHASE 2)
2	G5005257	1	OUTSIDE WINDSHIELD ASSY LH
3	B20015419	1	INSIDE WINDSHIELD LH
4	PC020025	2	DRIP TRAY WHEEL
5	PB060113	1	WARMING RACK SUPPORT LH
6	020051-000	25	SCR, DR, PHLP,PNH, 410SS, NPLT, 10-16 X 1/2
7	003654-000	1	53 GRILL REAR COVER
8	PB060050	1	WARMING RACK 53 FULL
9	PB060112	1	WARMING RACK SUPPORT RH
10	B20015418	1	INSIDE WINDSHIELD RH
11	G5005256	1	OUTSIDE WINDSHIELD ASSY RH
12	PD030044	7	10-24 KEPS NUT SS
13	PD020056	7	NO.10-24 X 1/2 PH.TR. M.S. SS
14	007818-000	2	RETAINER, CANOPY SPRING
15	007257-000	2	CANOPY, SPRING, ASSIST- 53
16	006779-000	4	NO.6-32 X 1.0 SS FLAT HD SCREW
17	PB060055	1	ROTISSERIE MOUNT CASTING
18	PC070024	1	ROTIS. GEAR BOX ASSY
19	020037-000	4	SCR, DR, FCSKHP, 410 SS, NPLT, 8-18 X 3/4
20	PB060058	4	SPIT FORK
21	PB060052	1	ROTIS SPIT ROD 53
22	PD020082	2	10 X 24 COUNTERSUNK S.S. SCREW
23	B2005278	1	ROTISSERIE ROLLER BRACKET (PHASE 2)
24	B20015574	2	GRILL WINDSHIELD TRIM
25	005942-000	2	SPRING INDEX

*No Image
Available*

Ref #	Part Number	Qty.	Description
NI	G4006384	1	WIRE ASSY (VGBQ-T SERIES) 7 NOT FIELD REPLACEABLE

*No Image
Available*

Ref #	Part Number	Qty.	Description
NI	G4006377	2	WIRE ASSY (VGBQ-T SERIES) 15
NI	G4006380	2	WIRE ASSY (VGBQ-T SERIES) 15

*No Image
Available*

Ref #	Part Number	Qty.	Description
NI	G4006378	2	WIRE ASSY (VGBQ-T SERIES) 25
NI	G4006379	2	WIRE ASSY (VGBQ-T SERIES) 25

*No Image
Available*

Ref #	Part Number	Qty.	Description
NI	G4006376	2	WIRE ASSY (VGBQ-T SERIES) 10

*No Image
Available*

Ref #	Part Number	Qty.	Description
NI	025322-000	2	HARNESS, WIRE, ROTISSERIE

*No Image
Available*

Ref #	Part Number	Qty.	Description
NI	G50013595	1	LP CONNECTION SERVICE KIT