

This Owner's Manual is provided and hosted by [Appliance Factory Parts](#).



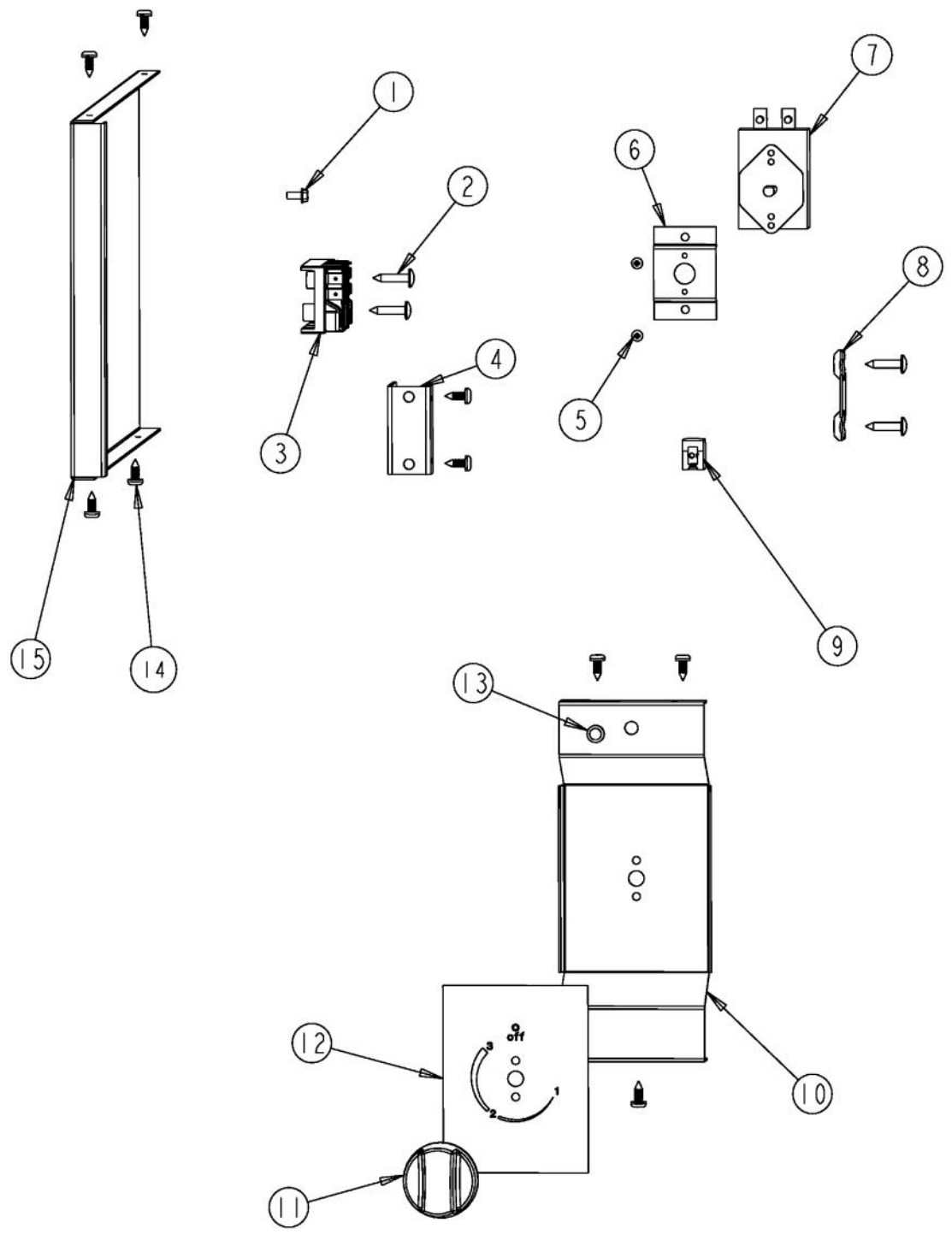
VIKING VEWD173 Owner's Manual

[Shop genuine replacement parts for VIKING VEWD173](#)

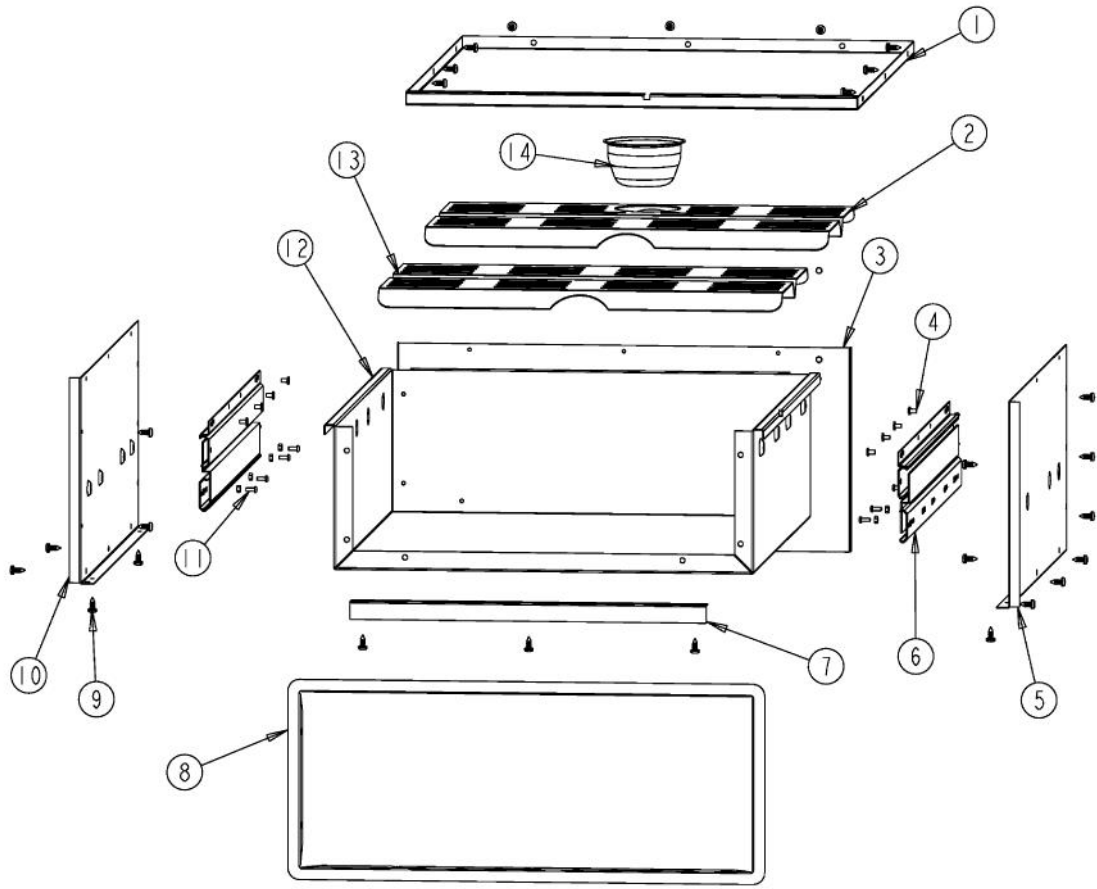


[Find Your VIKING Small Appliance Parts - Select From 19 Models](#)

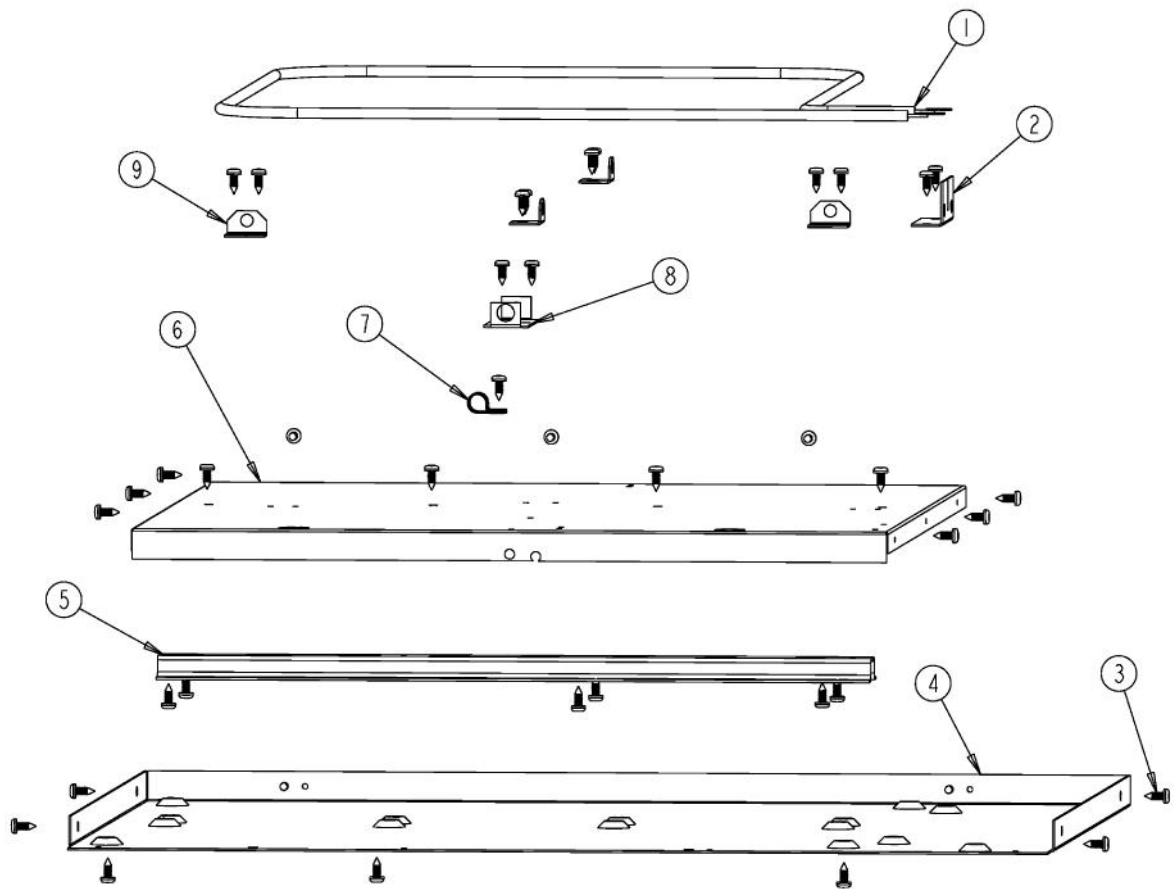
----- Manual continues below -----



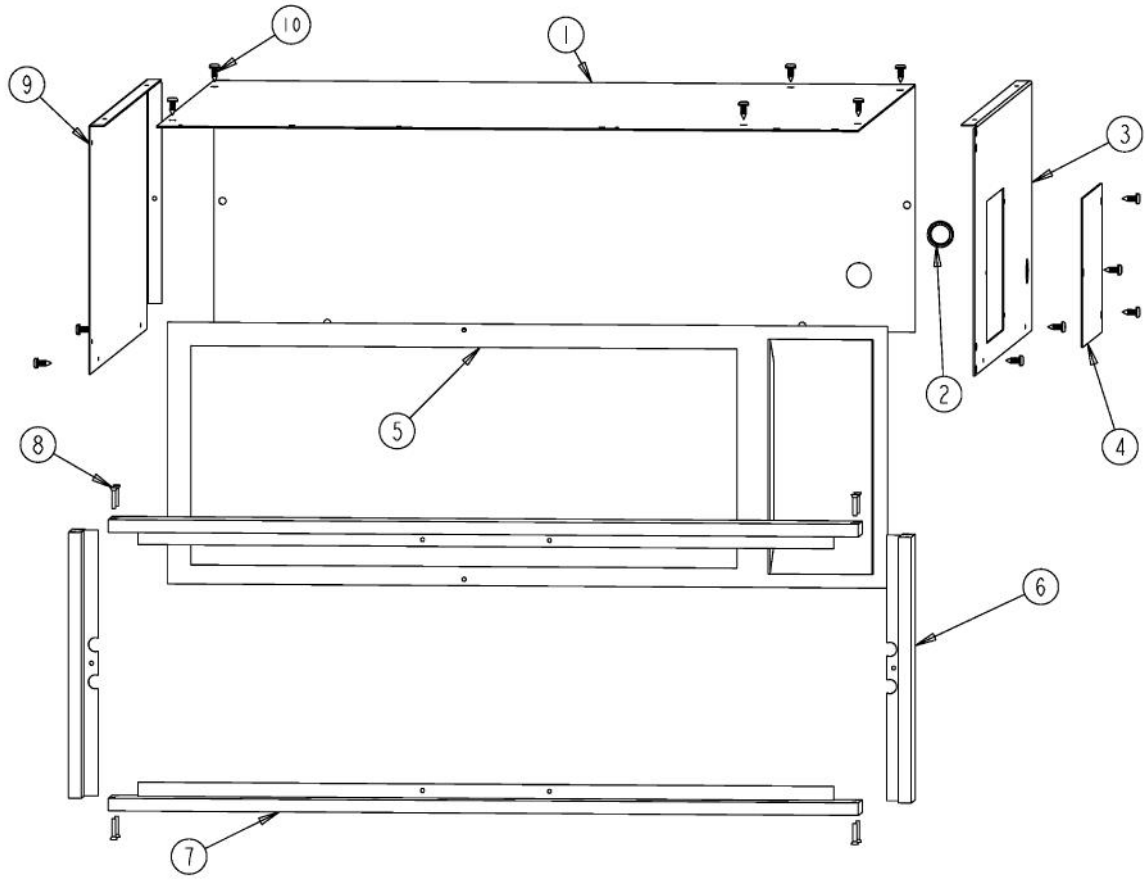
| Ref # | Part Number | Qty. | Description |
|-------|-------------|------|--|
| 1 | PD020010 | | 10 X 3/8 GREEN GROUNDING SCREW |
| 2 | PD020009 | | 10 X 1 PH. HD. PAN HD. SMS |
| 3 | PE070147 | | TERMINAL BLOCK |
| 4 | A2002195 | | POWER CORD MOUNTING BRKT (VDSC) |
| 5 | PD020076 | | 6-32 X 3/8 PHILL PAN MS |
| 6 | A2006075 | | THERMOSTAT SPACER, DESIGNER |
| 7 | PB010167 | | THERMOSTAT |
| 8 | A1002457 | | POWER CORD MOUNTING STRAP (VDSC) |
| 9 | PE050024 | | OVEN IND. LIGHT (LIGHT HOUSING) |
| 10 | B20013480 | | CONTROL PANEL XSSX (VEWD/DEWD) |
| 11 | PB010278 | | T/STAT KNOB-XBKX (B-IN OVEN) |
| 11 | PB010279 | | T/STAT KNOB-XWHX (B-IN OVEN) |
| 12 | PE040326 | | DEWD/VEWD CONTROL PANEL GRAPHIC |
| 13 | PE050023 | | OVEN IND. LIGHT (LENS & BEZEL) |
| 14 | PD020087 | | 10 X 1/2 PAN PH. TEK ZINC |
| 15 | A20013478 | | INSULATION PANEL |
| NI | 003005-002 | | 8 - 18 X 1/2 ZN TRIV W/NO.6 TRUSS AB TAPPING SCREW XB... |



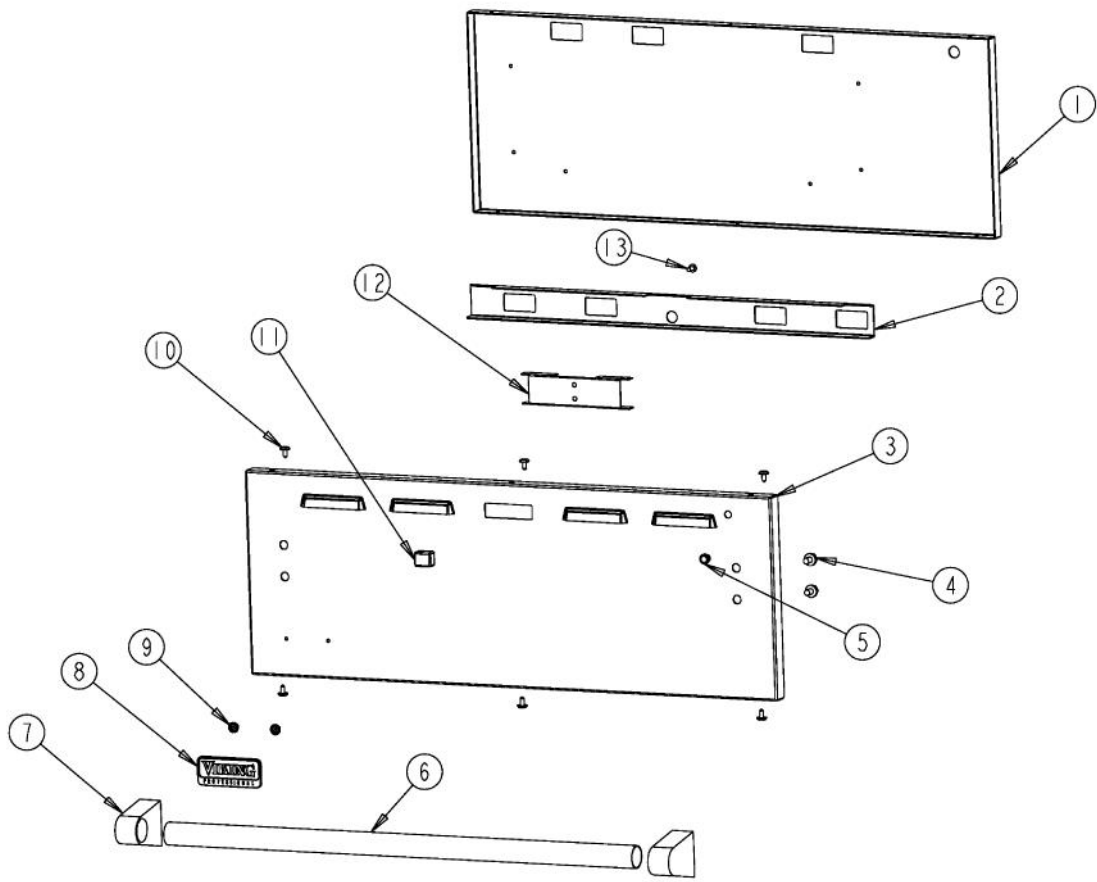
| Ref # | Part Number | Qty. | Description |
|-------|-------------|------|--|
| 1 | PD030012 | | 6-32 HEX NUT |
| 2 | B2003181 | | REAR RACK - (VEWD172) |
| 3 | B2004180 | | REAR INSIDE PANEL - 27 (VEWD) |
| 4 | PC040019 | | POP RIVET (0.125 GR X 0.156 DIA) |
| 5 | B2004151 | | INSIDE PANEL RH (VEWD) |
| 6 | PC020022 | | WARMING DRAWER SLIDES |
| 7 | B2004125 | | DRAWER STOP 27 |
| 8 | 010562-000 | | GASKET FRAME (VEWD173) |
| 9 | PD020087 | | 10 X 1/2 PAN PH. TEK ZINC |
| 10 | B2004152 | | INSIDE PANEL LH (VEWD) |
| 11 | PD020076 | | 6-32 X 3/8 PHILL PAN MS |
| 12 | G3004144 | | WARMING DRAWER WELD ASSY - (27) (BEFORE 06/30/06) |
| NI | G31015250 | | WARMING DRAWER ASSY (27) (AFTER 06/30/06) |
| 13 | B2003180 | | FRONT RACK - (VEWD172) |
| 14 | PA030005 | | 6OZ. STAINLESS STEEL BOWL (6960) |



| Ref # | Part Number | Qty. | Description |
|-------|-------------|------|---------------------------------|
| 1 | PJ010010 | | ELEMENT - 27 (VEWD) |
| 2 | B2004141 | | BRACKET |
| 3 | PD020087 | | 10 X 1/2 PAN PH. TEK ZINC |
| 4 | A2004181 | | OUTER BOTTOM PANEL |
| 5 | A2007077 | | 27`` WARMING DRAWER BRKT |
| 6 | B2004185 | | BOTTOM INSIDE PANEL - 27 (VEWD) |
| 7 | PD030009 | | CLAMP, AL-8 (.500) |
| 8 | B2004158 | | OUTER SIDE PANEL LH (VEWDT) |
| 9 | B2004147 | | ELEMENT BRACKET (VEWD) |



| Ref # | Part Number | Qty. | Description |
|-------|-------------|------|------------------------------------|
| 1 | A2004182 | | OUTER TOP PANEL |
| 2 | PD040005 | | SNAP BUSHING - 7/8 |
| 3 | A20013479 | | O/S PANEL - RH |
| NI | PB070072 | | WARMING DRAWER GASKET 6`/UNIT |
| 4 | A1004135 | | ACCESS PLATE (VEWD) |
| 5 | B20013489 | | FRONT FRAME (VEWD173) |
| 6 | PE040290 | | SIDE TRIM (VEWD) |
| 7 | PE040287 | | TOP / BOTTOM TRIM |
| 8 | PD020150 | | NO.6 X 1/2 PH. CT. SK. SMS. ``SS`` |
| 9 | A20013482 | | O/S PANEL - LH |
| 10 | PD020087 | | 10 X 1/2 PAN PH. TEK ZINC |



| Ref # | Part Number | Qty. | Description |
|-------|---------------|------|---|
| 1 | B20013433 | | INSIDE DOOR PANEL (VEWD173) (BEFORE 06/30/06) |
| NI | B20015253 | | I/S DOOR PANEL (VEWD173) (AFTER 06/30/06) |
| 2 | G30013431 | | DOOR SLIDE ASSY (VEWD103/163) |
| 3 | B92013432 | | O/S DOOR PANEL XSLK SCREENX (VEWD173) |
| 3 | C92013432AL | | O/S DOOR PANEL XSLK SCREENX XALX (VEWD173) |
| 3 | C92013432BK | | O/S DOOR PANEL XSLK SCREENX XBKX (VEWD173) |
| 3 | C92013432BT | | O/S DOOR PANEL XSLK SCREENX XBTX (VEWD173) |
| 3 | C92013432BU | | O/S DOOR PANEL XSLK SCREENX XBUX (VEWD173) |
| 3 | C92013432CB | | O/S DOOR PANEL XSLK SCREENX XCBX (VEWD173) |
| 3 | C92013432EP | | O/S DOOR PANEL XSLK SCREENX XEPX (VEWD173) |
| 3 | C92013432FG | | O/S DOOR PANEL XSLK SCREENX XFGX (VEWD173) |
| 3 | C92013432GG | | O/S DOOR PANEL XSLK SCREENX XGGX (VEWD173) |
| 3 | C92013432LE | | O/S DOOR PANEL XSLK SCREENX XLEX (VEWD173) |
| 3 | C92013432MJ | | O/S DOOR PANEL XSLK SCREENX XMJX (VEWD173) |
| 3 | C92013432SG | | O/S DOOR PANEL XSLK SCREENX XSGX (VEWD173) |
| 3 | C92013432VB | | O/S DOOR PANEL XSLK SCREENX XVBX (VEWD173) |
| 3 | C92013432WH | | O/S DOOR PANEL XSLK SCREENX XWHX (VEWD173) |
| 4 | PD020072 | | NO.8-32 X 3/8 PH PH MS (VEWD) |
| 5 | PE050023 | | OVEN IND. LIGHT (LENS & BEZEL) |
| 6 | PE030178 | | 27 PROF. DOOR HANDLE |
| 6 | PE030178PVD | | 27 PROF. DOOR HANDLE XPVDX |
| 7 | PE030001 | | BRACKET, DOOR, HANDLE |
| 7 | PE030001PVD | | END CAP DOOR HANDLE XBR |
| 8 | PE010142 | | 3 LOGO XBKXXCHROME |
| 8 | PE010143 | | 3 LOGO BK/BR |
| 8 | PE010144 | | 3 LOGO XWHXCHROME |
| 8 | PE010145 | | LOGO - WH / BR |
| 9 | PD030006 | | CAPPED WASHER PAL NUT |
| 10 | PD010019 | | BLT-1/4-20X3/8HEX WASHER SERATED |
| 11 | PA010072 | | MOISTURE SELECTOR KNOB XBKX (VEWD) |
| 11 | PA010073 | | MOISTURE SELECTOR KNOB XWHX (VEWD) |
| 12 | G30013436 | | DOOR SLIDE ASSY (VEWD173) |
| NI | G32013434AL | | 27 DOOR ASSEMBLY XALX (VEWD173) (BEFORE 06/30/06) |
| NI | G32013434ALBR | | 27 DOOR ASSEMBLY XALXBRX (VEWD173) (BEFORE 06/30/06) |
| NI | G32013434BK | | 27 DOOR ASSEMBLY XBKX (VEWD173) (BEFORE 06/30/06) |
| NI | G32013434BKBR | | 27 DOOR ASSEMBLY XBKXBRX (VEWD173) (BEFORE 06/30/06) |
| NI | G32013434BT | | 27 DOOR ASSEMBLY XBTX (VEWD173) (BEFORE 06/30/06) |
| NI | G32013434BTBR | | 27 DOOR ASSEMBLY XBTXBRX (VEWD173) (BEFORE 06/30/06) |
| NI | G32013434BU | | 27 DOOR ASSEMBLY XBUX (VEWD173) (BEFORE 06/30/06) |
| NI | G32013434BUBR | | 27 DOOR ASSEMBLY XBUXBRX (VEWD173) (BEFORE 06/30/06) |
| NI | G32013434CB | | 27 DOOR ASSEMBLY XCBX (VEWD173) (BEFORE 06/30/06) |
| NI | G32013434CBBR | | 27 DOOR ASSEMBLY XCBXBRX (VEWD173) (BEFORE 06/30/06) |
| NI | G32013434EP | | 27 DOOR ASSEMBLY XEPX (VEWD173) (BEFORE 06/30/06) |
| NI | G32013434EPBR | | 27 DOOR ASSEMBLY XEPXBRX (VEWD173) (BEFORE 06/30/06) |
| NI | G32013434FG | | 27 DOOR ASSEMBLY XFGX (VEWD173) (BEFORE 06/30/06) |

| Ref # | Part Number | Qty. | Description |
|-------|---------------|------|---|
| NI | G32013434FGBR | | (BEFORE 06/30/06) 27 DOOR ASSEMBLY XFGXBRX (VEWD173) |
| NI | G32013434GG | | (BEFORE 06/30/06) 27 DOOR ASSEMBLY XGGX (VEWD173) |
| NI | G32013434GGBR | | (BEFORE 06/30/06) 27 DOOR ASSEMBLY XGGXBRX (VEWD173) |
| NI | G32013434LE | | (BEFORE 06/30/06) 27 DOOR ASSEMBLY XLEX (VEWD173) |
| NI | G32013434LEBR | | (BEFORE 06/30/06) 27 DOOR ASSEMBLY XLEXBRX (VEWD173) |
| NI | G32013434MJ | | (BEFORE 06/30/06) 27 DOOR ASSEMBLY XMJX (VEWD173) |
| NI | G32013434MJBR | | (BEFORE 06/30/06) 27 DOOR ASSEMBLY XMJXBRX (VEWD173) |
| NI | G32013434SG | | (BEFORE 06/30/06) 27 DOOR ASSEMBLY XSGX (VEWD173) |
| NI | G32013434SGBR | | (BEFORE 06/30/06) 27 DOOR ASSEMBLY XSGXBRX (VEWD173) |
| NI | G32013434SS | | (BEFORE 06/30/06) 27 DOOR ASSY (VEWD173) |
| NI | G32013434SSBR | | (BEFORE 06/30/06) 27 DOOR ASSEMBLY XSSXBRX (VEWD173) |
| NI | G32013434VB | | (BEFORE 06/30/06) 27 DOOR ASSEMBLY XVBX (VEWD173) |
| NI | G32013434VBBR | | (BEFORE 06/30/06) 27 DOOR ASSEMBLY XVBXBRX (VEWD173) |
| NI | G32013434WH | | (BEFORE 06/30/06) 27 DOOR ASSEMBLY XWHX (VEWD173) |
| NI | G32013434WHBR | | (BEFORE 06/30/06) 27 DOOR ASSEMBLY XWHXBRX (VEWD173) |
| NI | G32015256AL | | (AFTER 06/30/06) 27 DOOR ASSY XALX (VEWD173) |
| NI | G32015256ALBR | | (AFTER 06/30/06) 27 DOOR ASSY XALXBRX (VEWD173) |
| NI | G32015256BK | | (AFTER 06/30/06) 27 DOOR ASSY XBKX (VEWD173) |
| NI | G32015256BKBR | | (AFTER 06/30/06) 27 DOOR ASSY XBKXBRX (VEWD173) |
| NI | G32015256BT | | (AFTER 06/30/06) 27 DOOR ASSY XBTX (VEWD173) |
| NI | G32015256BTBR | | (AFTER 06/30/06) 27 DOOR ASSY XBTXBRX (VEWD173) |
| NI | G32015256BU | | (AFTER 06/30/06) 27 DOOR ASSY XBUX (VEWD173) |
| NI | G32015256BUBR | | (AFTER 06/30/06) 27 DOOR ASSY XBUXBRX (VEWD173) |
| NI | G32015256CB | | (AFTER 06/30/06) 27 DOOR ASSY XCBX (VEWD173) |
| NI | G32015256CBBR | | (AFTER 06/30/06) 27 DOOR ASSY XCBXBRX (VEWD173) |
| NI | G32015256EP | | (AFTER 06/30/06) 27 DOOR ASSY XEPX (VEWD173) |
| NI | G32015256EPBR | | (AFTER 06/30/06) 27 DOOR ASSY XEPXBRX (VEWD173) |
| NI | G32015256FG | | (AFTER 06/30/06) 27 DOOR ASSY XFGX (VEWD173) |
| NI | G32015256FGBR | | (AFTER 06/30/06) 27 DOOR ASSY XFGXBRX (VEWD173) |
| NI | G32015256GG | | (AFTER 06/30/06) 27 DOOR ASSY XGGX (VEWD173) |

| Ref # | Part Number | Qty. | Description |
|-------|---------------|------|--|
| NI | G32015256GG | | 27 DOOR ASSY XGGX (VEWD173) (AFTER 06/30/06) |
| NI | G32015256GGBR | | 27 DOOR ASSY XGGXBRX (VEWD173) (AFTER 06/30/06) |
| NI | G32015256LE | | 27 DOOR ASSY XLEX (VEWD173) (AFTER 06/30/06) |
| NI | G32015256LEBR | | 27 DOOR ASSY XLEXBRX (VEWD173) (AFTER 06/30/06) |
| NI | G32015256MJ | | 27 DOOR ASSY XMJX (VEWD173) (AFTER 06/30/06) |
| NI | G32015256MJBR | | 27 DOOR ASSY XMJXBRX (VEWD173) (AFTER 06/30/06) |
| NI | G32015256SG | | 27 DOOR ASSY XSGX (VEWD173) (AFTER 06/30/06) |
| NI | G32015256SGBR | | 27 DOOR ASSY XSGXBRX (VEWD173) (AFTER 06/30/06) |
| NI | G32015256SS | | 27 DOOR ASSY XSSX (VEWD173) (AFTER 06/30/06) |
| NI | G32015256SSBR | | 27 DOOR ASSY XSSXBRX (VEWD173) (AFTER 06/30/06) |
| NI | G32015256VB | | 27 DOOR ASSY XVBX (VEWD173) (AFTER 06/30/06) |
| NI | G32015256VBBR | | 27 DOOR ASSY XVBXBRX (VEWD173) (AFTER 06/30/06) |
| NI | G32015256WH | | 27 DOOR ASSY XWHX (VEWD173) (AFTER 06/30/06) |
| NI | G32015256WHBR | | 27 DOOR ASSY XWHXBRX (VEWD173) (AFTER 06/30/06) |
| 13 | PD020032 | | SRW-8(A)X3/8PH.WFR HD 7/16DIAXNICL |
| NI | PD950012 | 1 | STRIKE PANEL ACCESS |
| NI | PD950013 | 1 | LATCH PANEL ACCESS |