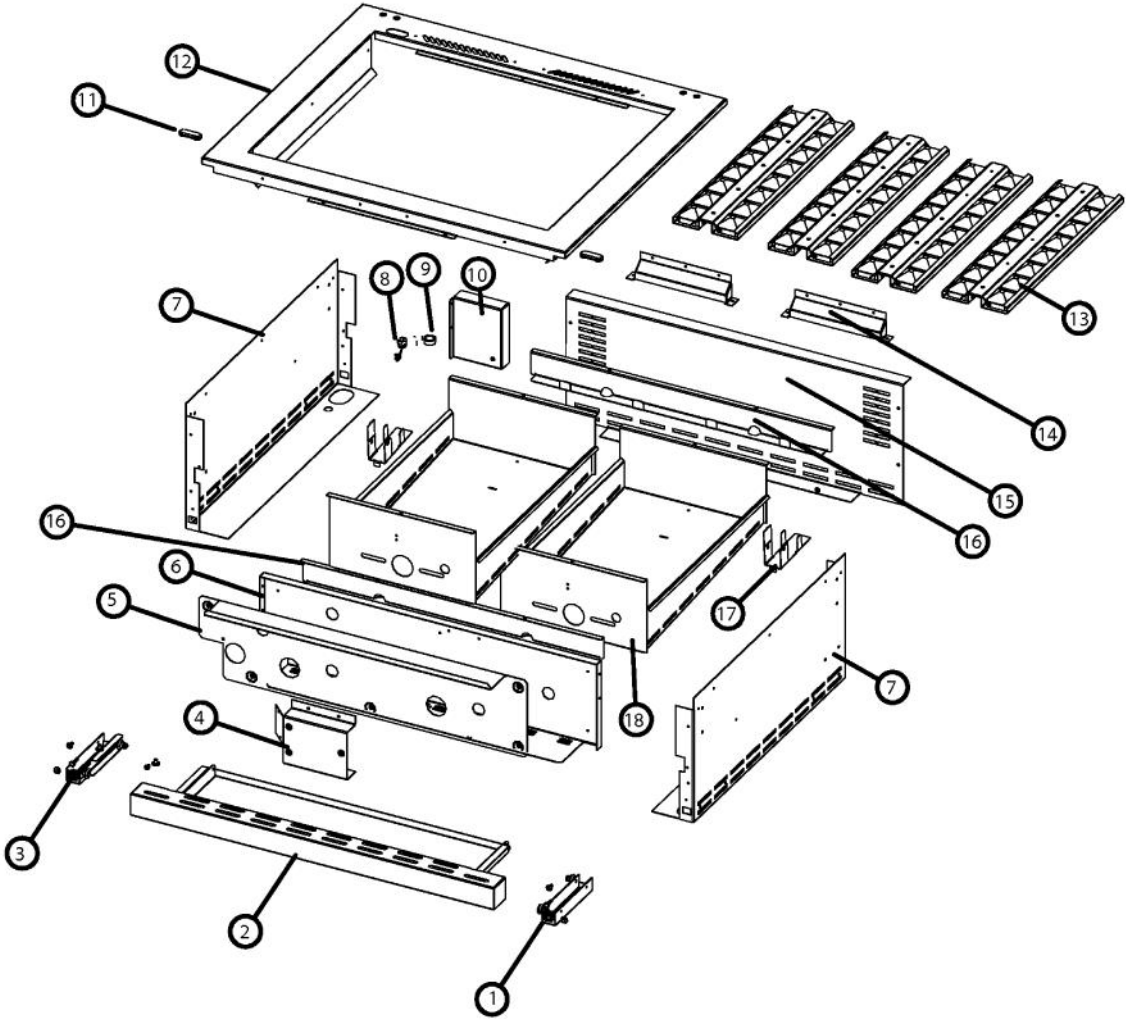
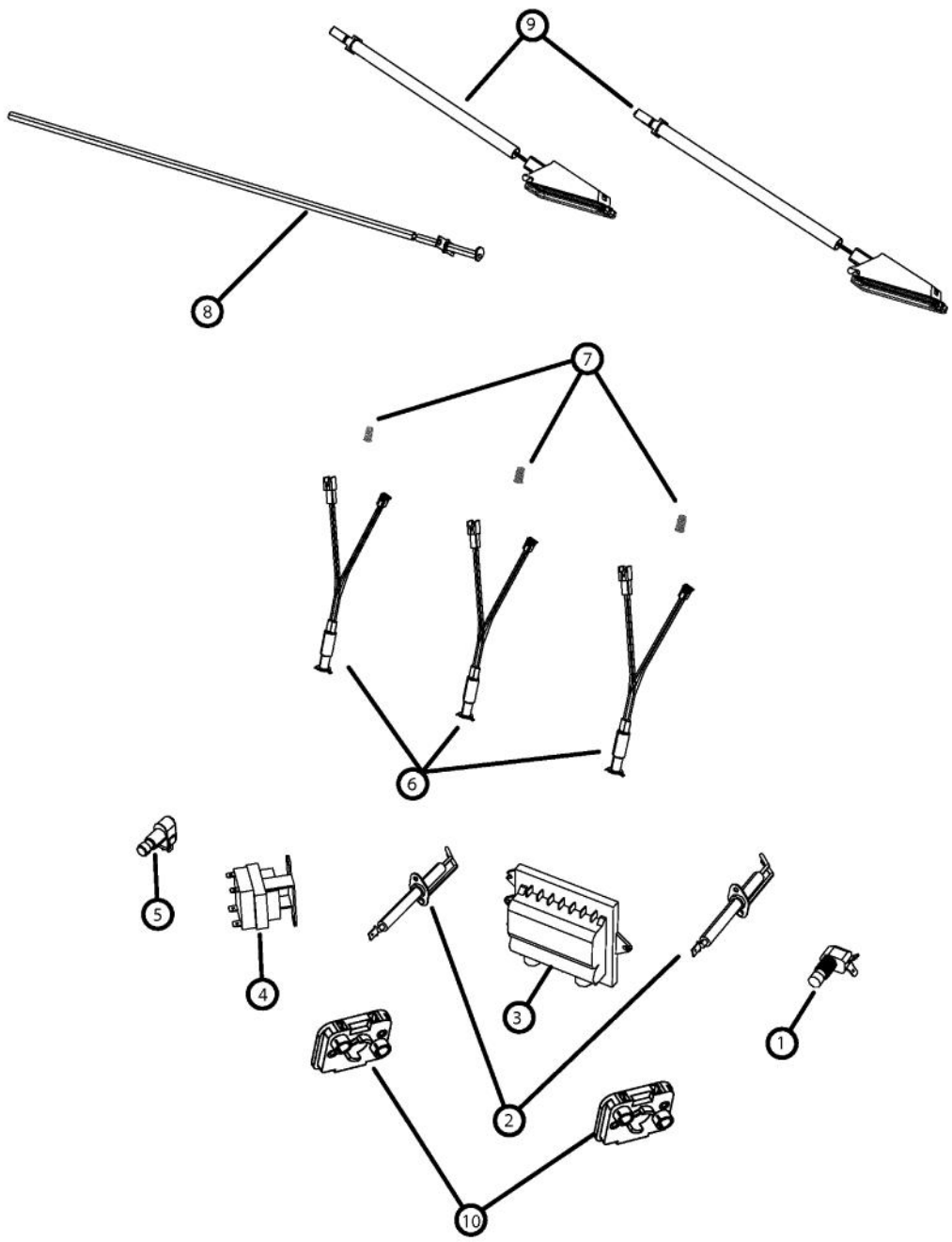


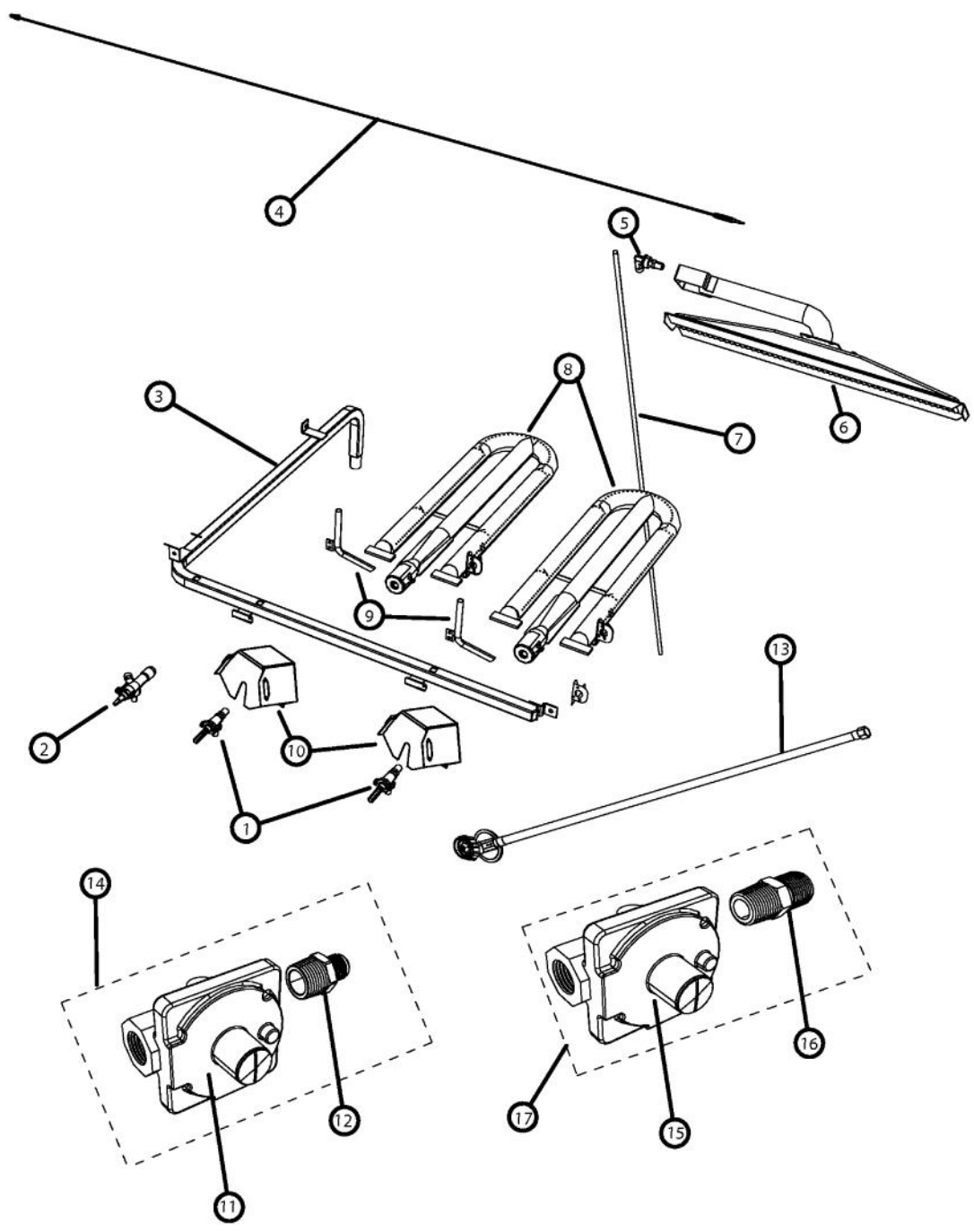
| Ref # | Part Number | Qty. | Description                        |
|-------|-------------|------|------------------------------------|
| 1     | 029434-000  | 2    | GRATE, BQ GRILL                    |
| 2     | 040745-000  | 1    | WINDSHIELD, BQ, IS, LH             |
| 3     | 034607-000  | 2    | FASTENER, BOLT, 5/16 - 1-1/2       |
| 4     | 045830-000  | 1    | WINDSHIELD, BQ, ASM LH             |
| 5     | 031598-000  | 2    | HANGER, WARMING RACK               |
| 6     | 037304-000  | 70   | FASTENER, PNH, TORX, AB, PSVD, WAX |
| 7     | 037589-000  | 1    | ROLLER, BRKT, ROTIS, ASM           |
| 8     | 029457-000  | 1    | COVER, ROTIS IGNITOR               |
| 9     | 029454-000  | 1    | BRACKET, ROTIS IGNITOR, MTG        |
| 10    | PD020182    | 4    | 10 X 3/4 HEX HEAD SMS TEK. XSSX    |
| 11    | B2005347    | 1    | INFRARED FRAME                     |
| 12    | 046847-000  | 1    | PANEL, REAR BQ                     |
| 13    | 046846-000  | 1    | BACKPLATE, BQ, INT                 |
| 14    | 046992-000  | 1    | RACK, WARMING, 30                  |
| 15    | 005942-000  | 2    | SPRING INDEX                       |
| 16    | 045831-000  | 1    | WINDSHIELD, BQ RH ASM W/ROTIS      |
| 17    | 031838-000  | 1    | BRACKET, SUPPORT ROTIS BOX ASM     |
| 18    | PD030044    | 8    | 10-24 KEPS NUT SS                  |
| 19    | 040775-000  | 1    | WINDSHIELD, BQ, OS, RH             |
| 20    | PC070024    | 1    | ROTIS. GEAR BOX ASSY               |
| 21    | PD020056    | 8    | NO.10-24 X 1/2 PH.TR. M.S. SS      |
| 22    | 045515-000  | 1    | SMOKER BOX ASSY                    |



| Ref # | Part Number | Qty. | Description                   |
|-------|-------------|------|-------------------------------|
| 1     | 031551-000  | 1    | GUIDE, DRIP TRAY, RH ASM      |
| 2     | 029458-000  | 1    | DRIP TRAY, BQ 30              |
| 3     | 031544-000  | 1    | GUIDE, DRIP TRAY, LH ASM      |
| 4     | 031570-000  | 1    | BRACKET, MOUNTING, MODULE     |
| 5     | 035668-000  | 1    | PANEL, FRONT, HEAT SHIELD     |
| 6     | 046848-000  | 1    | PANEL, SUPPORT, HEAT SHIELD   |
| 7     | 029459-000  | 2    | PANEL, LWR SIDE               |
| 8     | PD040044    | 1    | SNAP THRU BUSHING 1/4DIA CORD |
| 9     | PD040005    | 2    | SNAP BUSHING - 7/8            |
| 10    | 035094-000  | 1    | CHANNEL, WIRE                 |
| 11    | 002671-000  | 2    | RUBBER DOOR BUMPER            |
| 12    | 046845-000  | 1    | FRAME, GRL, TOP               |
| 13    | 032370-000  | 4    | TRAY, CRMC, BRIQUETTE, ASM    |
| 14    | 035606-000  | 2    | FLUE DIVERTER, 30             |
| 15    | 031849-000  | 1    | BRACKET, BACK SUPPORT         |
| 16    | 036024-000  | 2    | SUPPORT, TRAY, BRIQUETTE, 30  |
| 17    | 032239-000  | 2    | BRACKET, REAR GRILL BURNER    |
| 18    | 029461-000  | 2    | BOX, U BURNER, 30             |

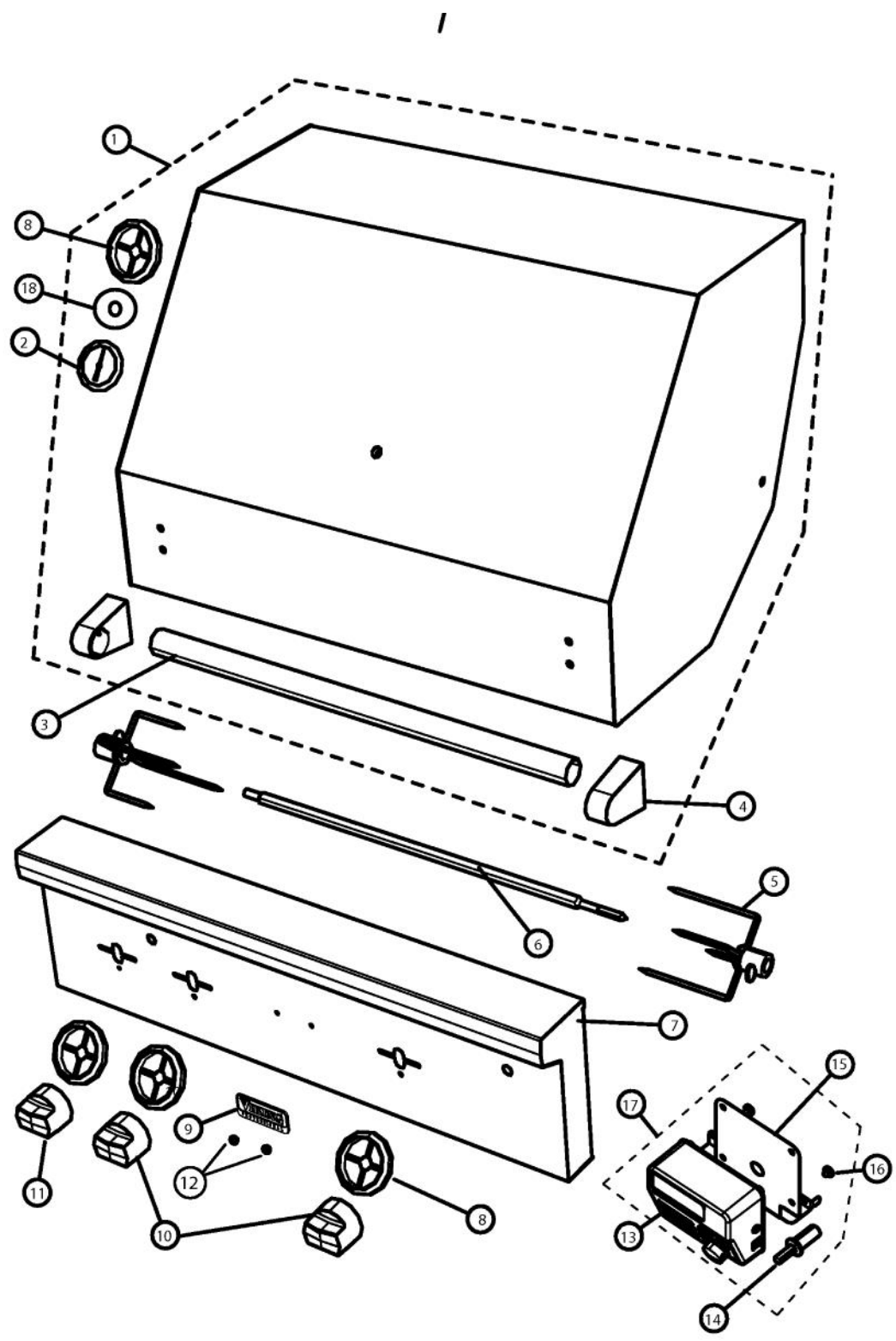


| Ref # | Part Number | Qty. | Description                               |
|-------|-------------|------|---|
| 1     | PE050019    | 1    | OVEN LIGHT SWITCH (VGSO166) 90-DEG.       |
| 2     | 008091-000  | 2    | PB040288 IGNITOR KIT                      |
| 3     | PA020047    | 1    | INVENSYS 0+4 RE-IGNITION SPARK MODULE     |
| 4     | 006021-000  | 1    | SCE, PWR, LED, 12VAC                      |
| 5     | PE050063    | 1    | SPARKER SWITCH                            |
| 6     | 044929-000  | 3    | LAMP, LED, 12VDC, WHITE, PLUG, RECEP, ASM |
| 7     | 044350-000  | 3    | LENS, COVER, LED, BLUE                    |
| 8     | 048238-000  | 1    | IGNITOR, GRILL, W/WIRE ASM                |
| 9     | 034082-000  | 2    | 120V HALOGEN LIGHT ASM                    |
| 10    | PA020045    | 2    | IGNITOR SWITCH                            |
| 11    | 039137-000  | 1    | TUBING, INSUL, GAS IGNITOR                |



| Ref # | Part Number | Qty. | Description                                       |
|-------|-------------|------|---|
| 1     | 014952-000  | 2    | VALVE, GAS, ASM, U BNR                            |
|       | 014953-000  | 2    | VALVE, GAS, ASM, U BNR - LP                       |
| 2     | 038629-000  | 1    | VALVE, RTSR, ASM, NAT                             |
|       | 038657-000  | 1    | VALVE, RTSR, ASM, LP                              |
| 3     | 029468-000  | 1    | MANIFOLD, BQ13002, NAT ASM                        |
| 4     | 042576-000  | 1    | THERMOCOUPLE                                      |
| 5     | PB040124    | 1    | 90 DEG. ORIFICE FITTING                           |
|       | PB040125    | 1    | ORIFICE FTG 90D 20IR NO.57 HD YELLOW              |
| 6     | G3005289    | 1    | BURNER,ASM,,ASM,IR,20                             |
| 7     | PB020096    | 1    | 48 5/16 S.S. FLEX TUBING REPL F2003505            |
| 8     | 029479-000  | 2    | U-BURNER, BQ ASM                                  |
| 9     | PB020114    | 2    | FLASH TUBE (VGBQ3002T)                            |
| 10    | 033701-000  | 2    | COVER, VALVE                                      |
| 11    | PA070005    | 1    | PRESSURE REG.(LP) RV47L-77-10.0                   |
| 12    | 041140-000  | 1    | COMPRESSION MALE FITING                           |
| 13    | 043204-000  | 1    | HIGH PRESSURE LP REGULATOR AND HOSE ASSY          |
| 14    | 043216-000  | 1    | LP REGULATOR AND COMPRESSION MALE FLARE ADAPTO... |
| 15    | PA070006    | 1    | PRESSURE REGULATOR - NATURAL                      |
| 16    | 043747-000  | 1    | COMPRESSION MALE FITING                           |
| 17    | 043217-000  | 1    | REGULATOR, NAT ASSY                               |





| Ref # | Part Number | Qty. | Description                            |
|-------|-------------|------|--|
| 1     | 046933-000  | 1    | HOOD, BQ, OUTER, ASM                   |
| 2     | 042720-000  | 1    | GAUGE, BMTL, TEMPERATURE               |
| 3     | 019277-000  | 1    | DOOR HANDLE, 24                        |
| 4     | 026965-000  | 2    | END CAP, ASM, DOOR HANDLE              |
| 5     | 032881-000  | 2    | FORK, RTSR                             |
| 6     | PB060054    | 1    | ROTIS SPIT ROD 30                      |
| 7     | 047013-2655 | 1    | CONTROL PANEL ASM, W/GRAPHICS- 30      |
| 8     | PB010304    | 4    | KNOB BEZEL                             |
| 9     | PE010142    | 1    | 3 LOGO XBKXXCHROME                     |
| 10    | 035901-000  | 2    | KNOB,GRL,WOK,PRO CR3                   |
| 11    | 038435-000  | 1    | KNOB, ROTISS, PRO, CR3                 |
| 12    | PD030006    | 2    | CAPPED WASHER PAL NUT                  |
| 13    | 032461-000  | 1    | MOTOR, ROTIS                           |
| 14    | 037377-000  | 1    | ADAPTER, HEX, ROTISSERIE MOTOR ADAPTER |
| 15    | 043284-000  | 1    | ROTIS MOTOR BRACKET                    |
| 16    | PD040004    | 1    | GROMMET BUMPER                         |
| 17    | 043708-000  | 1    | GRILL, MOT, MT, 304, RTSR ASSY         |
| 18    | 026724-000  | 1    | SPACER, WSHR                           |

*No Image  
Available*

| Ref # | Part Number | Qty. | Description                        |
|-------|-------------|------|------------------------------------|
| NI    | 046827-000  | 1    | 30 WIRE HARNESS                    |
| NI    | 048482-000  | 1    | HARNESS, LED, JUMPER               |
| NI    | 035561-000  | 1    | WIRE, IGNITOR, GRILL 8             |
| NI    | 035565-000  | 1    | WIRE, IGNITOR, GRILL 12            |
| NI    | 047027-000  | 1    | HARNESS, LED, POWER                |
| NI    | 048317-000  | 1    | ROTISS, IGNITOR, EXTENSION         |
| NI    | PE070189    | 1    | ELECTRICAL SUPPLY CORD - BBQ GRILL |