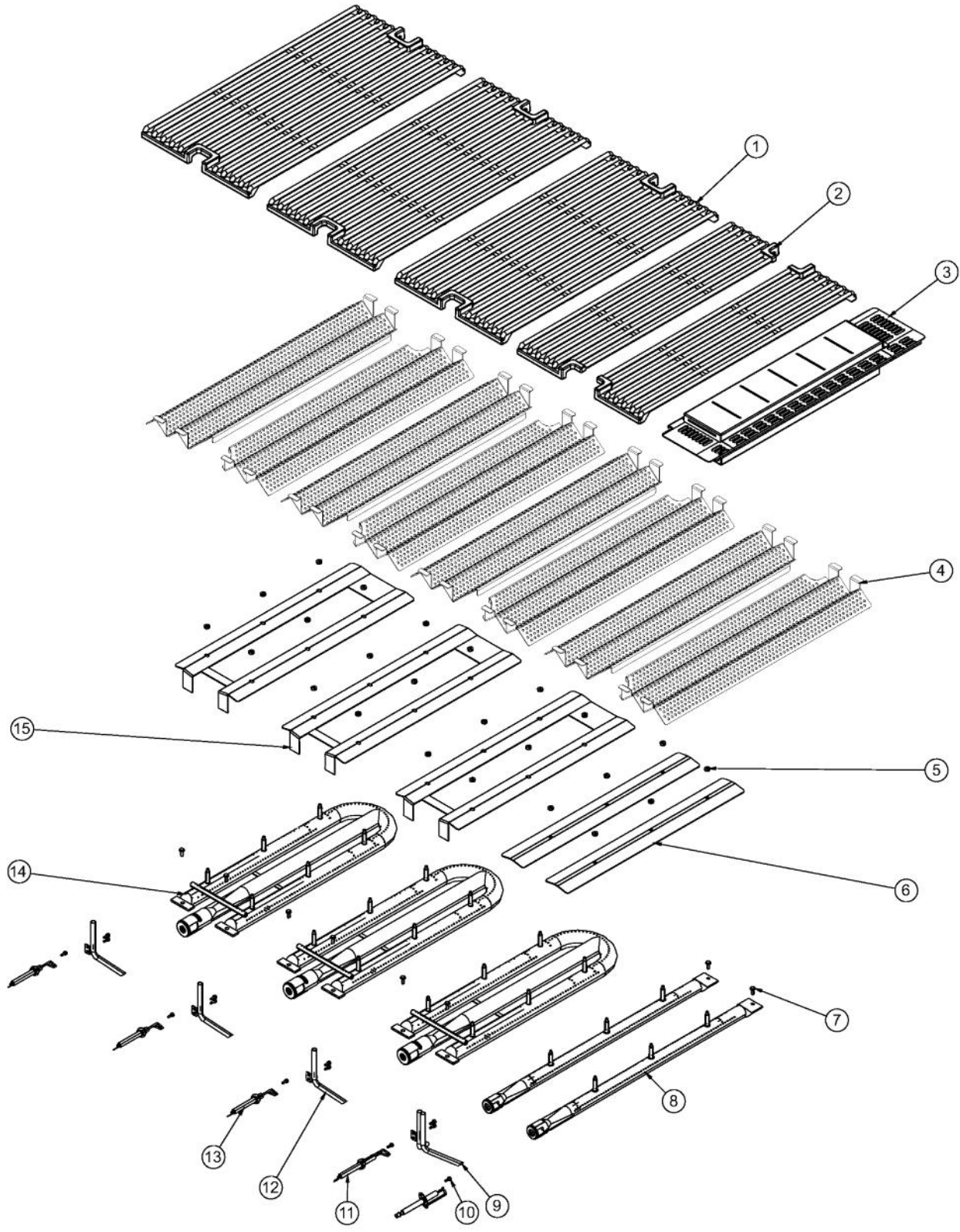
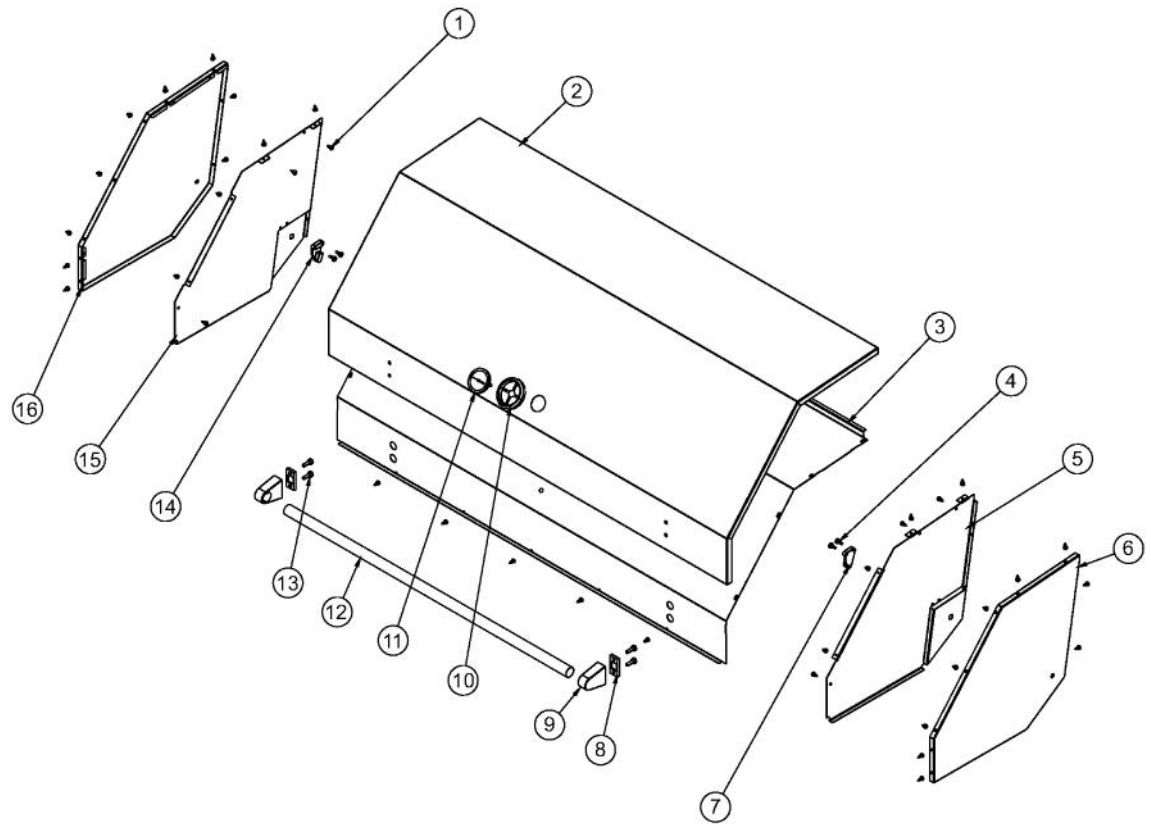


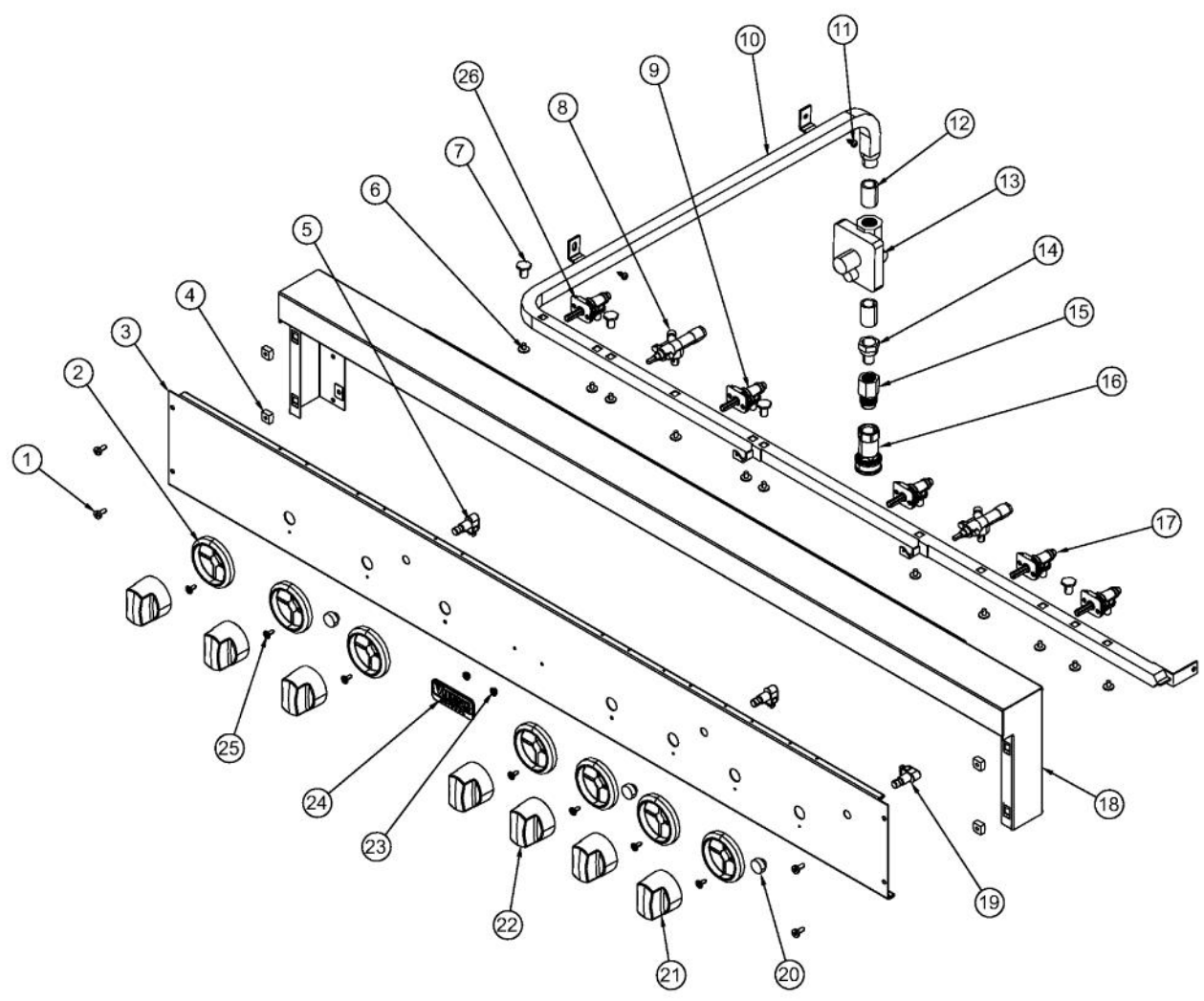
Ref #	Part Number	Qty.	Description
1	B20015514	1	GRILL FRAME 53
2	020051-000	106	SCR, DR, PHLP,PNH, 410SS, NPLT, 10-16 X 1/2
3	B2005246	2	BURNER BOX SHIELD (PHASE 2)
4	008409-000	1	BURNER BOX, ASM, RH (NOT FIELD REPLACEABLE)
5	002671-000	2	RUBBER DOOR BUMPER
6	002353-000	2	GRILL PLUG VENT
7	002354-000	1	GRILL PLUG PLATE
8	B2006305	3	HEAT SHIELD BRACKET
9	003858-000	1	5304 GRILL REAR TRIM
10	L1004882	1	REAR HEAT SHIELD - 53``
11	B20015511	1	GRILL BOX BACK 53
12	A20015410	1	GRILL WIRE CHANNEL - 53 REAR
13	B2005203	1	GRILL BOX SIDE RH (PHASE 2)
14	L1005398	2	SIDE HEAT SHIELD
15	PD030050	4	10-24 CAGE NUT SS
16	PD020056	4	NO.10-24 X 1/2 PH.TR. M.S. SS
17	PA020047	2	INVENSYS 0+4 RE-IGNITION SPARK MODULE
18	B20015508	1	GRILL BOX BOTTOM 53
19	PE070791	1	GRILL POWER SUPPLY CORD (8 FT)
20	B2005244	1	BURNER BOX CENTER TRIM
21	008506-000	1	GRILL, SUPPORT, FRONT
22	B20015540	1	53 GRILL GUTTER
23	A20015412	1	GRILL WIRE CHANNEL - 42 SHORT
24	PD040044	1	SNAP THRU BUSHING 1/4DIA CORD
25	PD020014	1	10X3/4 PH TR HD SMS
26	PE070855	1	E SERIES TERMINAL BLOCK
27	B20015568	2	0+4 SM/TB HOUSING BTM
28	B2005204	1	PANEL, GRL, LH
29	B30015552	2	0+4 SPARK MODULE TERMINAL HOUSING
30	004089-000	1	POWER CORD SHIELD
31	008505-000	1	GRILL, BOX, ASM (NOT FIELD REPLACEABLE)



Ref #	Part Number	Qty.	Description
1	002369-000	3	REDESIGN BBQ GRATE - FULL
2	002370-000	2	REDESIGN BBQ GRATE - HALF
3	G3005350	1	SMOKER BOX ASSY (VGBQ3002RT)
4	PK010061	8	HALF FLAVOR GRID PHASE 2
5	PD030044	24	10-24 KEPS NUT SS
6	006757-000	2	SMOKER DRIP SHIELD
7	PD020048	8	NO.10 X 1/2 TEK 410 SS SCREW
8	PA080051	2	SMOKER/GRILL BURNER
9	PB020115	1	SMOKER FLASH TUBE
10	020041-000	13	SCR, DR, PH, PNH, 410 SS, NPLT, 6-20 X 3/8
11	PB040288	2	SMOKER BURNER IGNITER
12	PB020114	3	FLASH TUBE (VGBQ3002T)
13	PB040287	3	GRILL BURNER IGNITER
14	004276-000	3	OUTDOOR GRILL U-BURNER
15	007676-000	3	DRIP SHIELD, U

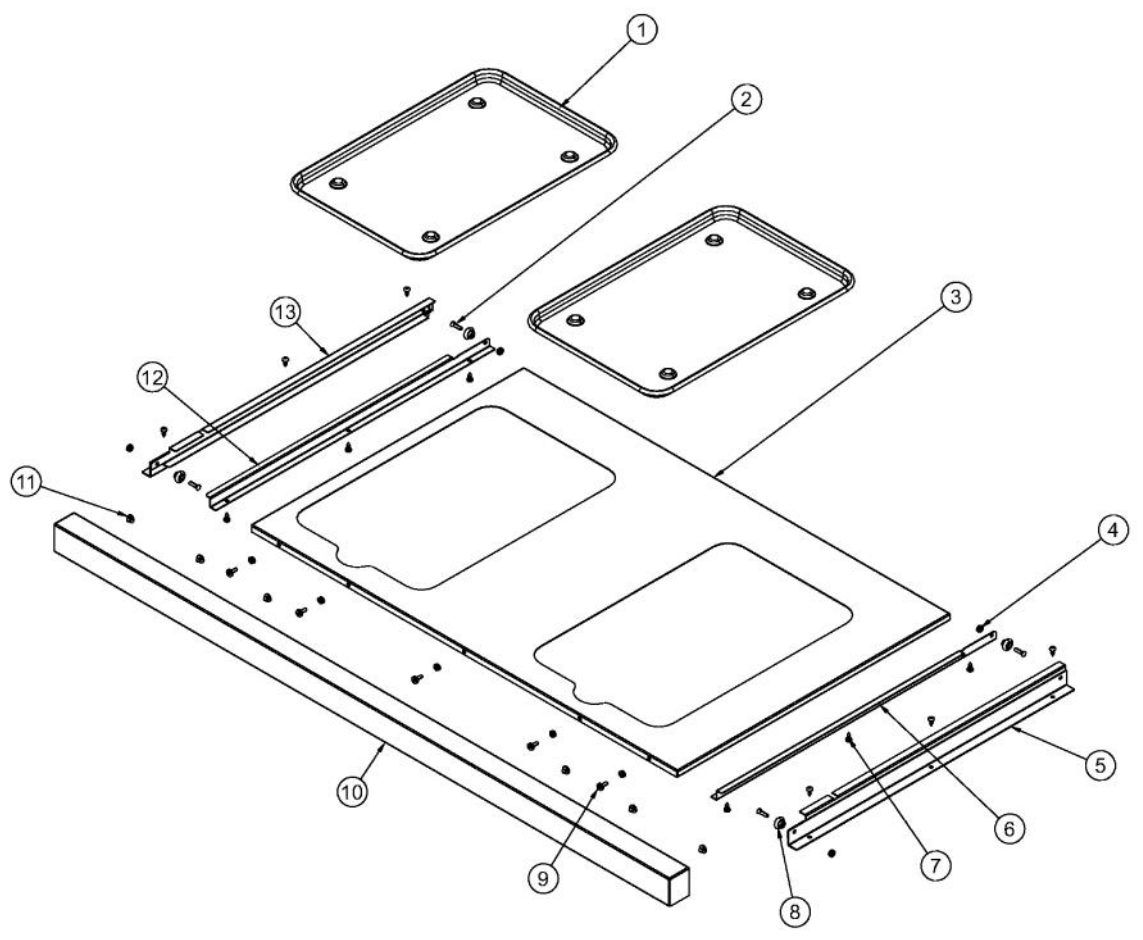


Ref #	Part Number	Qty.	Description
1	020051-000	37	SCR, DR, PHLP,PNH, 410SS, NPLT, 10-16 X 1/2
2	003638-000	1	53 CANOPY
3	003639-000	1	53 CANOPY HEAT SHIELD
4	PD020056	4	NO.10-24 X 1/2 PH.TR. M.S. SS
5	007379-000	1	GRILL CANOPY INSIDE RH
6	003630-000	1	GRILL CANOPY OUTSIDE RH
7	007215-000	1	CANOPY SPRING END MOUNT-RH
8	PD040010	2	DOOR HANDLE SPACER
9	000268-000	2	HANDLE END CAP ASSY
10	003366-000	1	THERMOSTAT BEZEL
11	PB010337	1	GRILL THERMOMETER
12	PE030040	1	DOOR/CNPY HNDLE - RPLCS PE930090
13	PD020069	4	CAP SCREW 1/4-20 X 3/4 SS
14	005941-000	1	CANOPY SPRING END MOUNT-LH
15	003633-000	1	GRILL CANOPY INSIDE LH
16	003632-000	1	GRILL CANOPY OUTSIDE LH

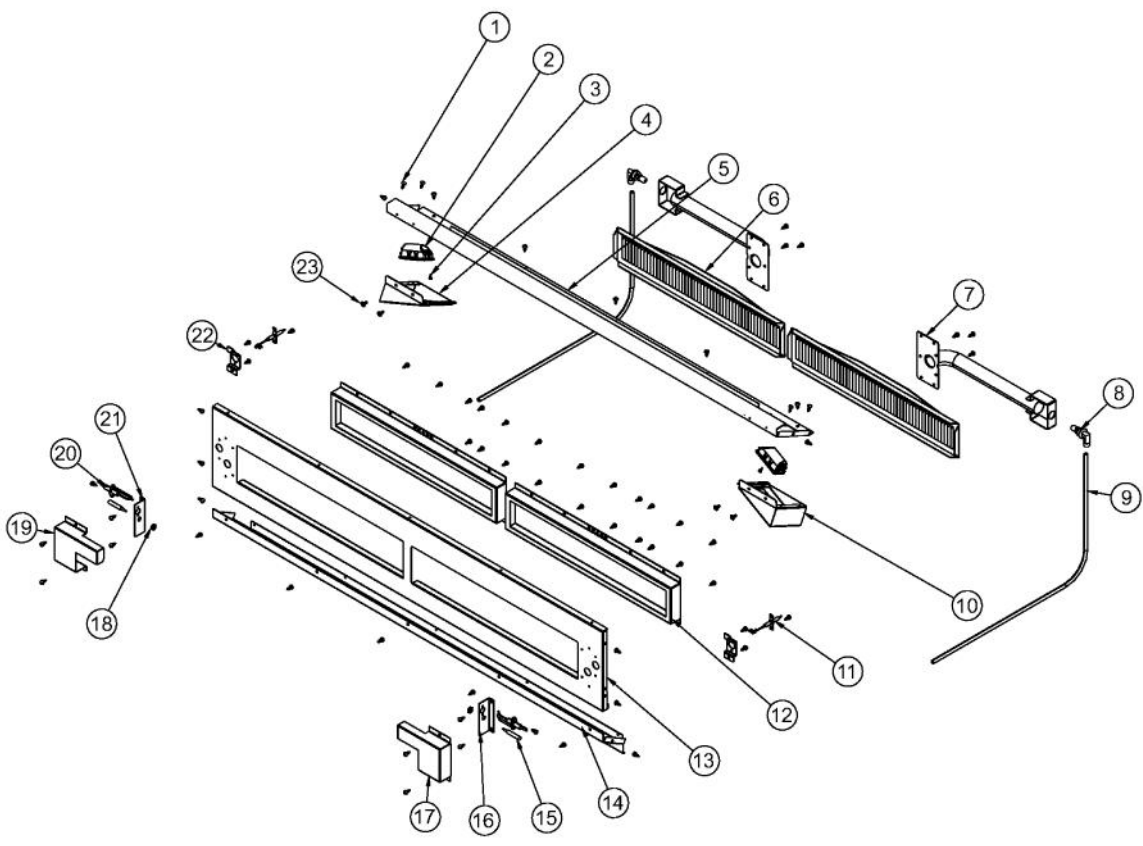


Ref #	Part Number	Qty.	Description
1	PD020056	4	NO.10-24 X 1/2 PH.TR. M.S. SS
2	PB010304	7	KNOB BEZEL
3	006064-000	1	VGBQ5304RE1 CONTROL PANEL
4	PD030050	4	10-24 CAGE NUT SS
5	PE050063	2	SPARKER SWITCH
6	PD010012	11	VALVE BOLT 1/4-20 UNC-2B 5/16 M.S.
7	002884-000	4	MANIFOLD PLUG
8	PB010191	2	I.R. SAFETY VALVE (PHASE II GRILLS)
8	PB010220	2	I.R. SAFETY VALVE LP
9	006388-000	3	GAS VALVE - NAT.
9	006389-000	3	GAS VALVE - LP
10	PA050068	1	PHASE2 53 MANIFOLD
11	020051-000	2	SCR, DR, PHLP,PNH, 410SS, NPLT, 10-16 X 1/2
12	PB040046	2	1/2 CLOSE NIPPLE (VGSO166)
13	PA070006	1	PRESSURE REGULATOR - NATURAL
13	PA070005	1	PRESSURE REG.(LP) RV47L-77-10.0
14	PB040235	1	1/2NPT TO 3/8 FLARE COUPLING
15	PB020239	1	7/8 FLARE TO 1/2 FEMALE CONNECTOR
16	023652-000	1	COUPLER, ASM
17	006390-000	2	GAS VALVE - NAT.
17	006391-000	2	GAS VALVE - LP
18	G3005221	1	LANDING LEDGE ASSY - 53
19	PE050019	1	OVEN LIGHT SWITCH (VGSO166) 90-DEG.
20	PB010163	3	OVEN LIGHT SWITCH KNOB BK
21	003563-000	2	ROTIS BURNER KNOB
22	003561-000	5	OUTDOOR GRILL KNOB
23	PD030006	2	CAPPED WASHER PAL NUT
24	015009-000	1	OUTDOOR LOGO - 3 CHROME
24	015009-100	1	OUTDOOR LOGO - 3 BRASS
25	PD020046	7	NO.8 X 1/2 SCREWS
26	PA020045	5	IGNITOR SWITCH

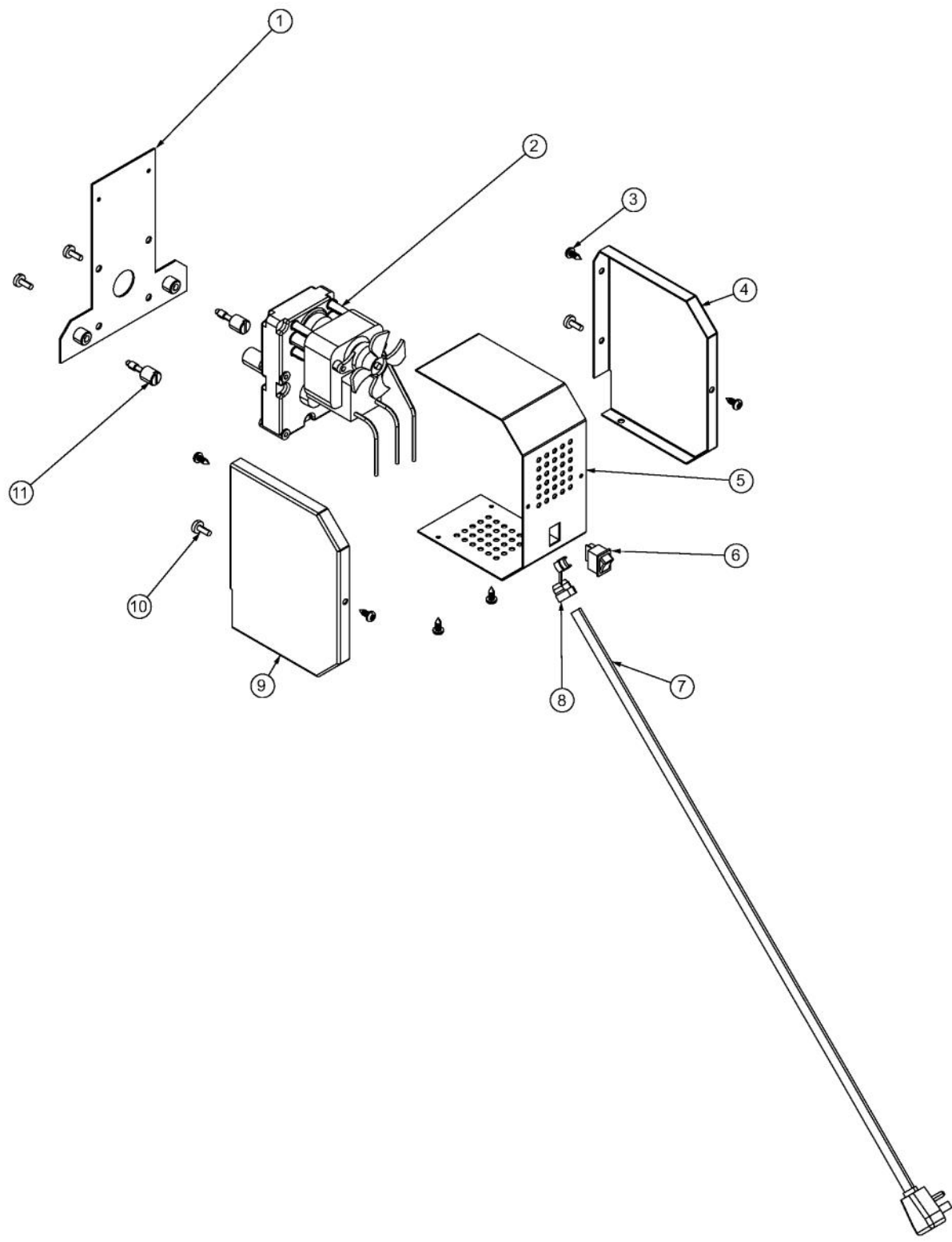




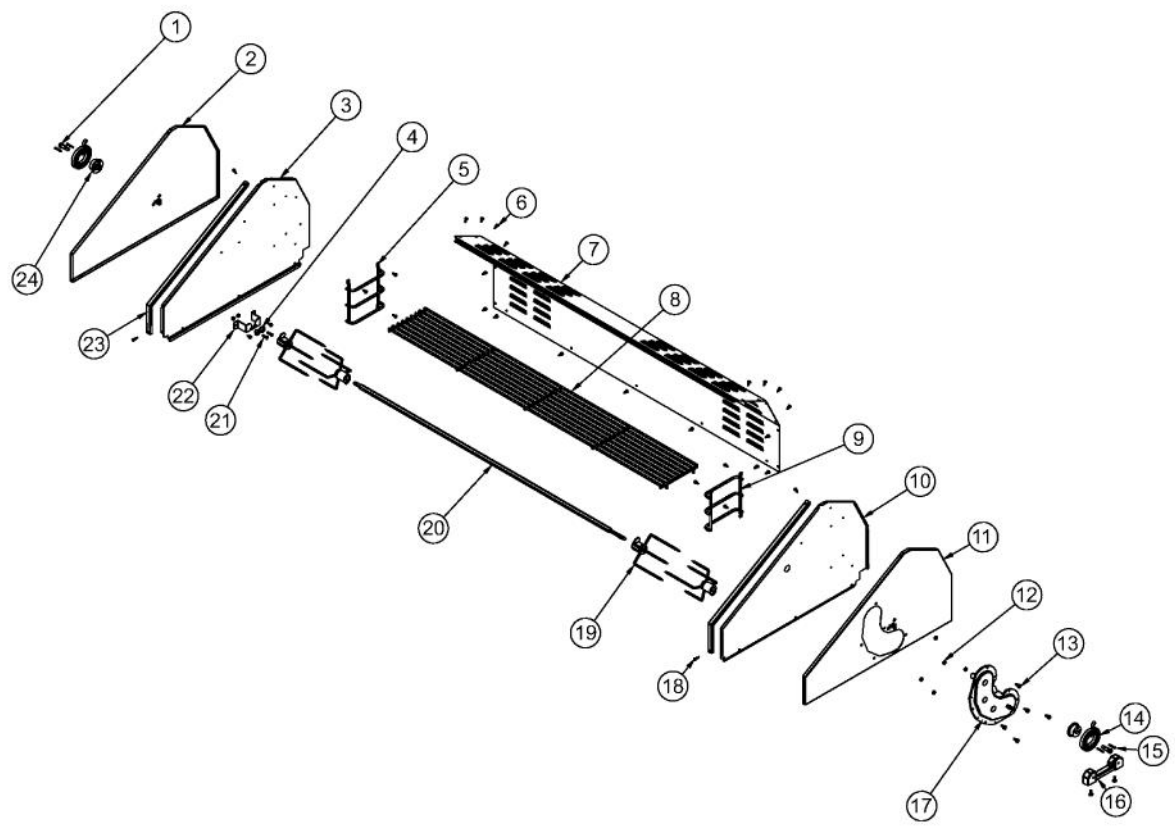
Ref #	Part Number	Qty.	Description
1	J2101749	2	GREASE PAN
2	PD020082	4	10 X 24 COUNTERSUNK S.S. SCREW
3	B2005309	1	DRIP TRAY 41
4	PD030044	10	10-24 KEPS NUT SS
5	G3005215	1	DRIP TRAY SLIDE - RH
6	B2005316	1	DRIP TRAY RUNNER RH
7	020051-000	12	SCR, DR, PHLP,PNH, 410SS, NPLT, 10-16 X 1/2
8	PC020025	4	DRIP TRAY WHEEL
9	PD020056	5	NO.10-24 X 1/2 PH.TR. M.S. SS
10	B3005313	1	53 DRIP TRAY HANDLE
11	PD040004	6	GROMMET BUMPER
12	B2005317	1	DRIP TRAY RUNNER LH (PHASE 2)
13	G3005214	1	DRIP TRAY SLIDE - LH



Ref #	Part Number	Qty.	Description
1	020051-000	66	SCR, DR, PHLP,PNH, 410SS, NPLT, 10-16 X 1/2
2	001310-000	2	120V HALOGEN LIGHT
3	020041-000	2	SCR, DR, PH, PNH, 410 SS, NPLT, 6-20 X 3/8
4	000602-000	1	GRILL LIGHT HOUSING LH
5	G91015561	1	53 FRONT HOUSING WELD ASSEMBLY
6	G3005289	2	BURNER,ASM,,ASM,IR,20
7	PB050060	2	I/R VENTURI (PHASE 2 BBQ)
8	PB040124	2	90 DEG. ORIFICE FITTING
8	PB040125	2	ORIFICE FTG 90D 20IR NO.57 HD YELLOW
9	PB020096	2	48 5/16 S.S. FLEX TUBING REPL F2003505
10	000603-000	1	GRILL LIGHT HOUSING RH
11	PB040280	2	FLEXIBLE ROTISSERIE IGNITOR
12	B2005347	2	INFRARED FRAME
13	G91015546	1	53 FRONT HOUSING WELD ASSY
14	E9107203	1	FRONT HOUSING 53
15	PB010210	2	FULL THERMOCOUPLE
16	B20015518	1	IR IGNITOR BRACKET 53
17	B20015521	1	53 RH ROTISSERIE IGNITOR COVER
18	PD030048	2	THERMCOUPLE NUT M08-VGBQ-8743300007
19	B20015402	1	I/R IGNITOR COVER LH
20	PB040160	2	WOK IGNITER
21	B20015403	1	IR IGNITOR BRACKET
22	B20015401	2	FLEXIBLE IGNITOR STANDOFF
23	PD020073	4	SRW NO.10 X 24 X 3/8 WAFER HD TYPE23



Ref #	Part Number	Qty.	Description
1	002081-000	1	ROT MOTOR MOUNTING PLATE ASSY
2	PE070184	1	ROTISSERIE MOTOR
3	020051-000	6	SCR, DR, PHLP,PNH, 410SS, NPLT, 10-16 X 1/2
4	B2005285	1	PHASE II ROTIS BOX FRONT
5	B2005286	1	PHASE II ROTIS COVER
6	PE050051	1	ROTISSERIE SWITCH
7	PE070189	1	ELECTRICAL SUPPLY CORD - BBQ GRILL
8	PD040044	1	SNAP THRU BUSHING 1/4DIA CORD
9	B2005284	1	PHASE II ROTIS BOX FRONT
10	PD020056	4	NO.10-24 X 1/2 PH.TR. M.S. SS
11	PD010090	2	ROTISSERIE FASTENER KNOB



Ref #	Part Number	Qty.	Description
1	PD010043	2	5/16INCH SHOULDER BOLT (PHASE 2)
2	G5005257	1	OUTSIDE WINDSHIELD ASSY LH
3	B20015419	1	INSIDE WINDSHIELD LH
4	PC020025	2	DRIP TRAY WHEEL
5	PB060113	1	WARMING RACK SUPPORT LH
6	020051-000	25	SCR, DR, PHLP,PNH, 410SS, NPLT, 10-16 X 1/2
7	003654-000	1	53 GRILL REAR COVER
8	PB060050	1	WARMING RACK 53 FULL
9	PB060112	1	WARMING RACK SUPPORT RH
10	B20015418	1	INSIDE WINDSHIELD RH
11	G5005256	1	OUTSIDE WINDSHIELD ASSY RH
12	PD030044	7	10-24 KEPS NUT SS
13	PD020056	7	NO.10-24 X 1/2 PH.TR. M.S. SS
14	007257-000	2	CANOPY, SPRING, ASSIST- 53
15	006779-000	4	NO.6-32 X 1.0 SS FLAT HD SCREW
16	PB060055	1	ROTISSERIE MOUNT CASTING
17	PC070024	1	ROTIS. GEAR BOX ASSY
18	PD020082	4	10 X 24 COUNTERSUNK S.S. SCREW
19	PB060058	4	SPIT FORK
20	PB060052	1	ROTIS SPIT ROD 53
21	PD020082	2	10 X 24 COUNTERSUNK S.S. SCREW
22	B2005278	1	ROTISSERIE ROLLER BRACKET (PHASE 2)
23	B20015574	2	GRILL WINDSHIELD TRIM
24	005942-000	2	SPRING INDEX



*No Image  
Available*

Ref #	Part Number	Qty.	Description
NI	G4006379	2	WIRE ASSY (VGBQ-T SERIES) 25
NI	G40016227	2	IGNITOR WIRE 18
NI	G40016229	1	IGNITOR WIRE 34
NI	025323-000	2	HARNESS, WIRE, ROTISSERIE
NI	006385-000	1	53 WIRE ASSEMBLY
NI	PE070813	1	WIRE HARNESS (VGBQ5304RE)