

This Owner's Manual is provided and hosted by [Appliance Factory Parts](#).



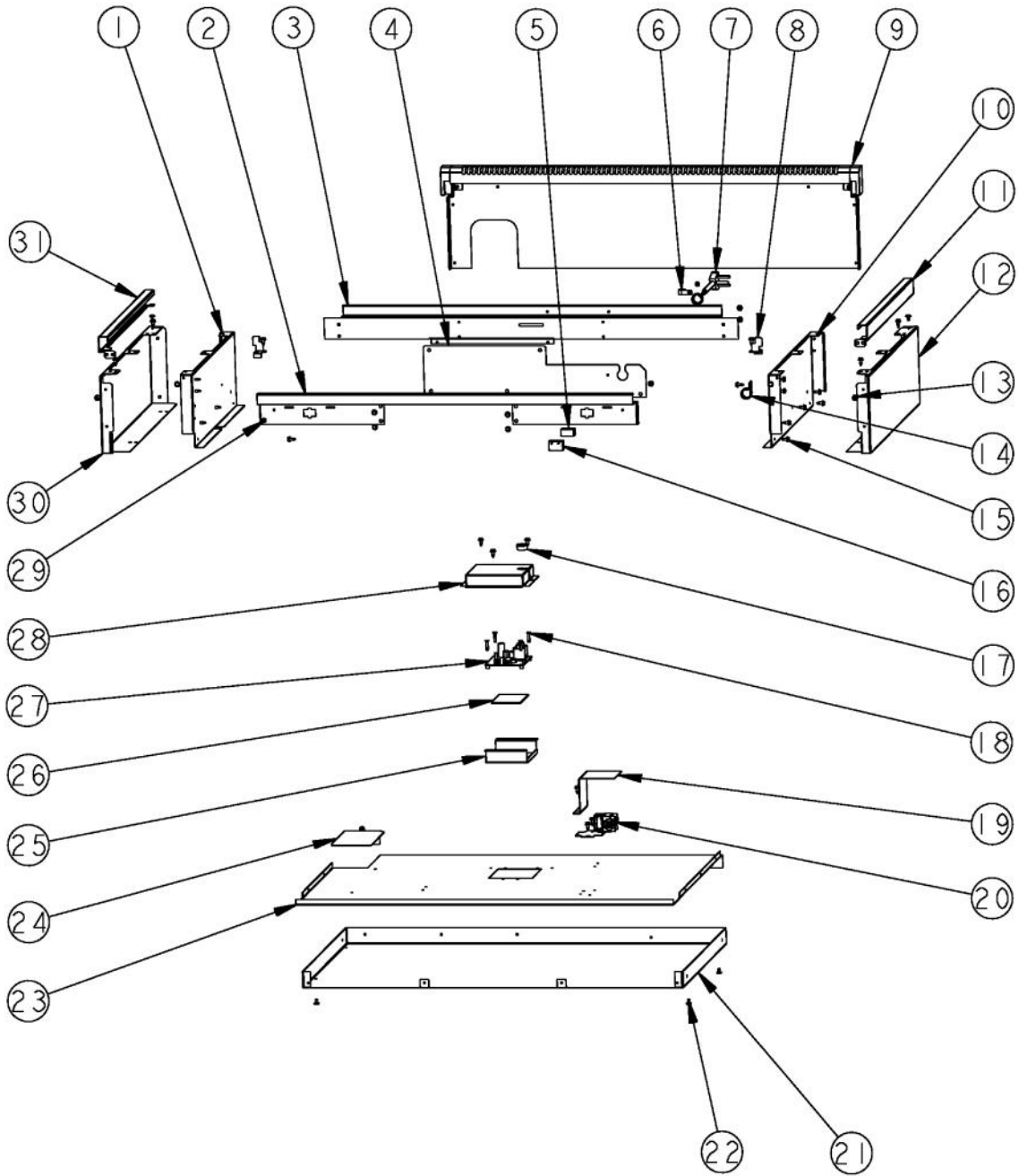
VIKING VGRT5364G Owner's Manual

**[Shop genuine replacement parts for VIKING
VGRT5364G](#)**

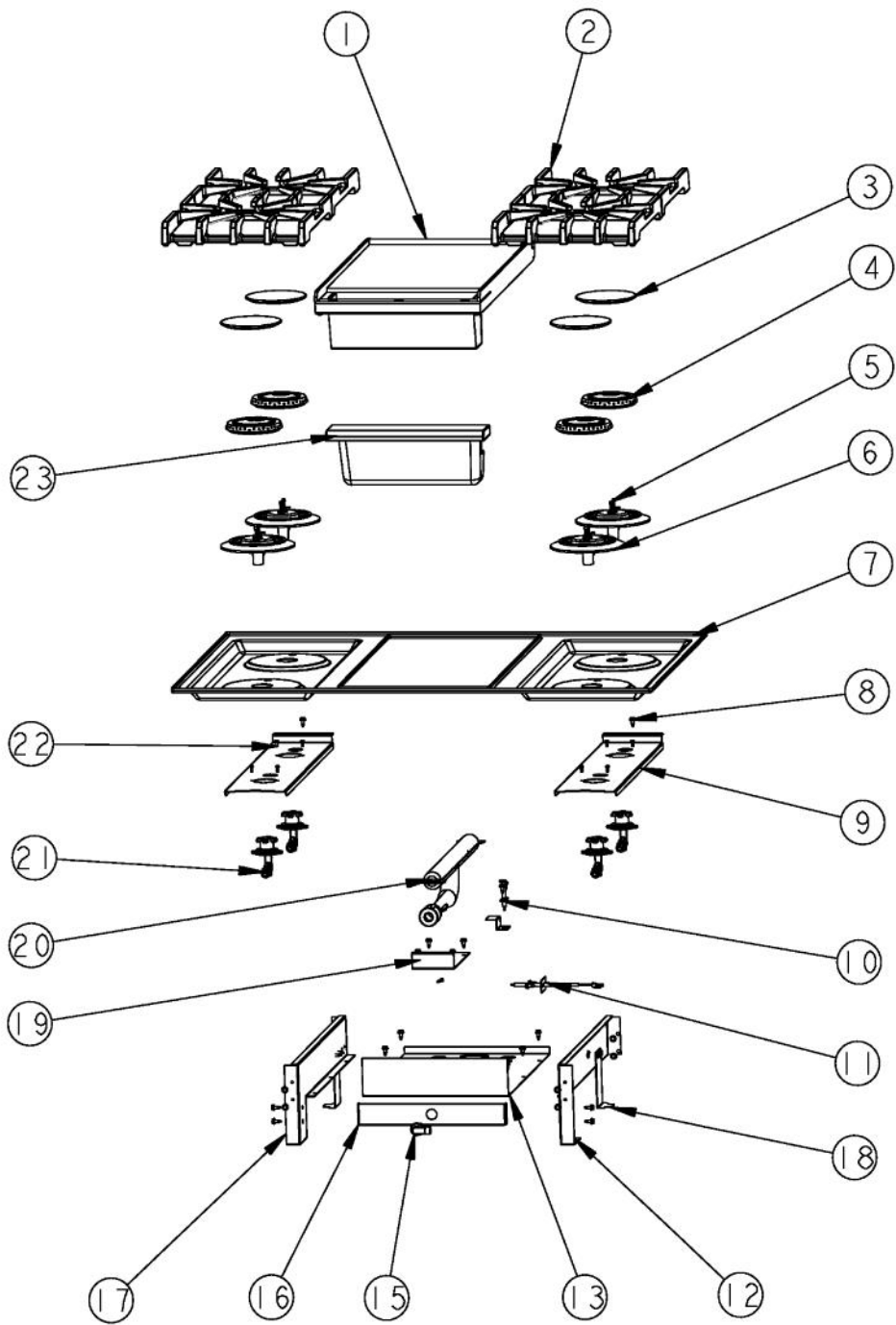


[Find Your VIKING Range Hoods Parts - Select From 411 Models](#)

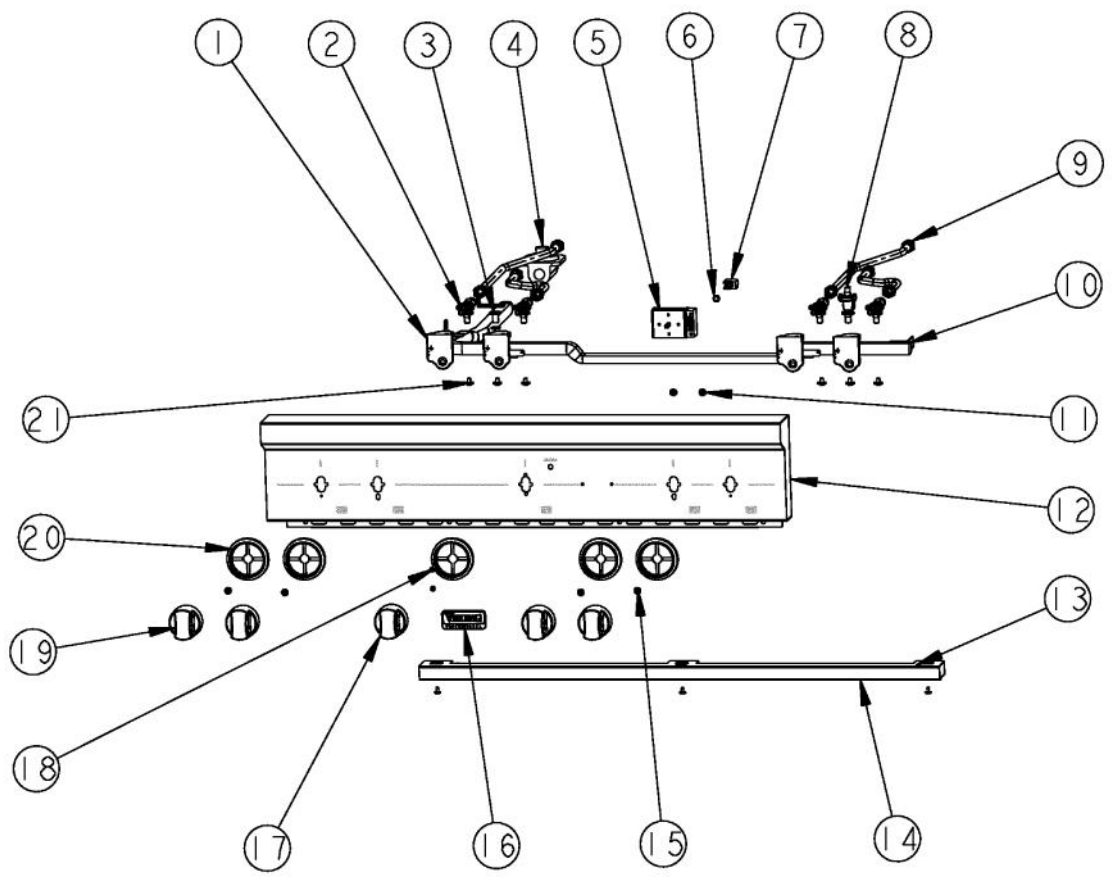
----- Manual continues below -----



Ref #	Part Number	Qty.	Description
1	003481-000	1	BURNER BOX SIDE, LH
2	004603-000	1	FRONT SUPPORT, BURNER BOX 36
3	004602-000	1	REAR SUPPORT, BURNER BOX 36
4	014168-000	1	RANGETOP, PANEL, BACK, VGRT
5	PE070071	1	DISCONNECT BLOCK XALX 770027-1
6	PD030148	1	CLAMP CABLE ALUMINUM .500 DIA. (AL-8 CLAMP)
7	PE070128	1	SUPPLY CORD (VGRT/SC/SS/RC)
8	004021-000	2	SUPPORT, TRIM, SIDE
9	006900-000	1	ISLAND TRIM, ASM, 36 CUSTOM
10	002755-000	1	BURNER BOX SIDE, RH
11	002920-000	1	SIDE TRIM, RH - STAINLESS
12	008100-000	1	PANEL, RH RANGETOP
13	003801-000	2	SHOULDER SCREW, NO.10
14	PD030109	1	INSULATED CLAMP
15	003860-000	41	NO.10-18 X .500 FASTNR,SCR,HXWH,STL,ZPLT
16	000573-000	1	POWER JUMPER WIRE
17	PD040005	2	SNAP BUSHING - 7/8
18	PD020043	4	NO.6-32 X .750 PH. CTRSK T(F)-VGSO166
19	009402-000	1	SOLENOID HEAT SHIELD COVER
20	009111-000	1	VALVE, SOL, SINGLE
21	014164-000	1	RANGETOP, PANEL BTM, VGRT536
22	PD020032	13	SRW-8(A)X3/8PH.WFR HD 7/16DIAXNICL
23	008449-000	1	BURNER BOX BOTTOM, 36
24	004016-000	1	PLATE, SVCE, RGLT
25	014306-000	1	BRACKET, SUPT, BOT, DSI BOARD, VGRT536-4G
26	PB070191	1	INSULATION PAD
27	PA020056	1	TYTRONICS DSI MODULE (BEFORE 01/18/11)
27	023651-000	1	DSI120 LONG PURGE (ON OR AFTER 01/18/11)
28	009267-000	1	COVER, FLAT, DSI, RAISED, 6G
29	PD020010	1	10 X 3/8 GREEN GROUNDING SCREW
30	008101-000	1	PANEL, LH, RANGETOP
31	003649-000	1	SIDE TRIM, LH - STAINLESS
NI	026526-000	1	COVER, DSI BOARD, SERVICE
NI	026766-000	1	CRADLE, DSI, SERVICE



Ref #	Part Number	Qty.	Description
1	012291-000	1	GRIDDLE ASM, CUSTOM RANGES
2	007323-000	4	BURNER GRATE
3	PA080083	4	D BURNER CAP XMATTE BLACKX
4	006706-000	4	B6 REV SEALED BURNER
5	009197-000	8	NO.6-32 X 5/8 18-8 SS NC SOC CAP
6	003322-041	4	SEALED BURNER BASE, PAINTED FINISH
7	E9108438BK	1	MAIN TOP (VGRT4G/Q) XBKX
8	003860-000	32	NO.10-18 X .500 FASTNR,SCR,HXWH,STL,ZPLT
9	002923-000	2	BURNER MODULE SUPPORT
10	PA020028	1	SPARK IGNITER
11	PE050206	1	RTD THERMOSTAT PROBE
12	009097-000	1	RIGHT GRIDDLE SUPPORT, 36
13	013953-000	1	GRIDDLE, BOX, BOTTOM, CUSTOM G RANGES
15	PB040190	1	90 DEGREE ORIFICE FITTING NO.50 NAT
16	006783-000	1	GRIDDLE BRKT, ORIFICE, CUSTOM RANGES
17	009096-000	1	LEFT GRIDDLE SUPPORT, 36
18	010649-000	2	FOOT, GRIDDLE BOX , VG536-4G
19	006785-000	1	GRIDDLE, BOX, VENTURI, COVER
20	013888-000	1	GRIDDLE, BURNER, ASM, NAT, W/IGNITOR BRACKET
21	001394-042	4	15000 BTU NAT JETHOLDER
22	PD020076	8	6-32 X 3/8 PHILL PAN MS
23	012165-700	1	TROUGH, GRS, ASM, COATED



Ref #	Part Number	Qty.	Description
1	PA020058	4	IRIS SINGLE SPARK MODULE
2	006015-000	4	VALVE, BRS, SEALED TOP - ISPHORDING
3	002884-000	1	MANIFOLD PLUG
4	PA070001	1	PRESSURE REGULATOR (NAT.)
5	012235-000	1	ELECTRONIC THERMOSTAT - 2 POS. W/O LEADS
6	PE050023	1	OVEN IND. LIGHT (LENS & BEZEL)
7	PE050072	1	LENS OPENING (250 VOLT)
8	PB030007	1	SHUT OFF VALVE
9	003374-000	2	BURNER MODULE ASSY, (16K BTU X 2)
10	008277-000	1	MANIFOLD, GAS, VDSC536-4G
11	PD030006	2	CAPPED WASHER PAL NUT
12	014212-000	1	CONTROL, PANEL, ASM, VGRT536-4G
13	PD020032	5	SRW-8(A)X3/8PH.WFR HD 7/16DIAXNICL
14	011637-000	1	TRIM, ASM
15	PD020046	4	NO.8 X 1/2 SCREWS
16	PE010142	1	3 LOGO XBKXXCHROME
17	006570-000	1	KNOB, GRDL/(LH OVEN), ASM, PVD, NO.3, SSS
18	PD020062	2	NO.8-32 X 3/8 PHMS TYPE 1
19	005269-000	4	RANGE TOP BURNER KNOB-BRUSHED, SSS
20	PB010304	5	KNOB BEZEL
21	PD010012	6	VALVE BOLT 1/4-20 UNC-2B 5/16 M.S.

*No Image
Available*

Ref #	Part Number	Qty.	Description
NI	PE070128	1	SUPPLY CORD (VGRT/SC/SS/RC)
NI	027347-000	1	SUPPLY CORD JUMPER
NI	024374-000	1	HARNESS, WRG, GRIDDLE
NI	PE070036	4	TIE WRAP
NI	PE070071	1	DISCONNECT BLOCK XALX 770027-1
NI	000647-000	3	IRIS IGNITOR WIRE, FRONT BURNER
NI	006766-000	2	IRIS IGNITOR WIRE, BACK BURNER
NI	PE070890	1	IRIS HARNESS - 36
NI	001134-000	2	IRIS HARNESS INSULATED CAP
NI	012828-000	1	HARNESS, GROUND, DSI, VDSC536-4G