

This Owner's Manual is provided and hosted by [Appliance Factory Parts](#).



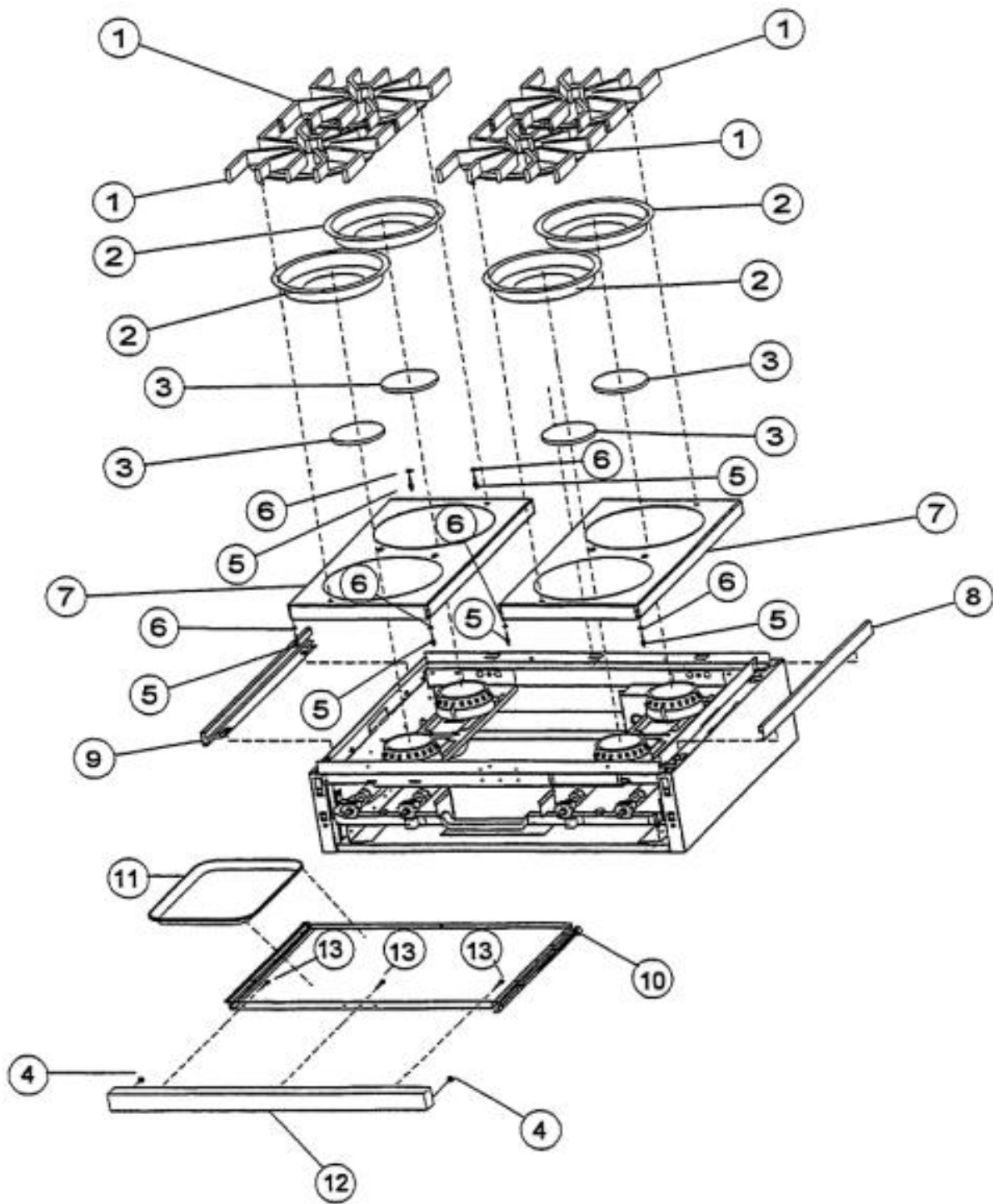
# VIKING VGRT600 Owner's Manual

[Shop genuine replacement parts for VIKING VGRT600](#)

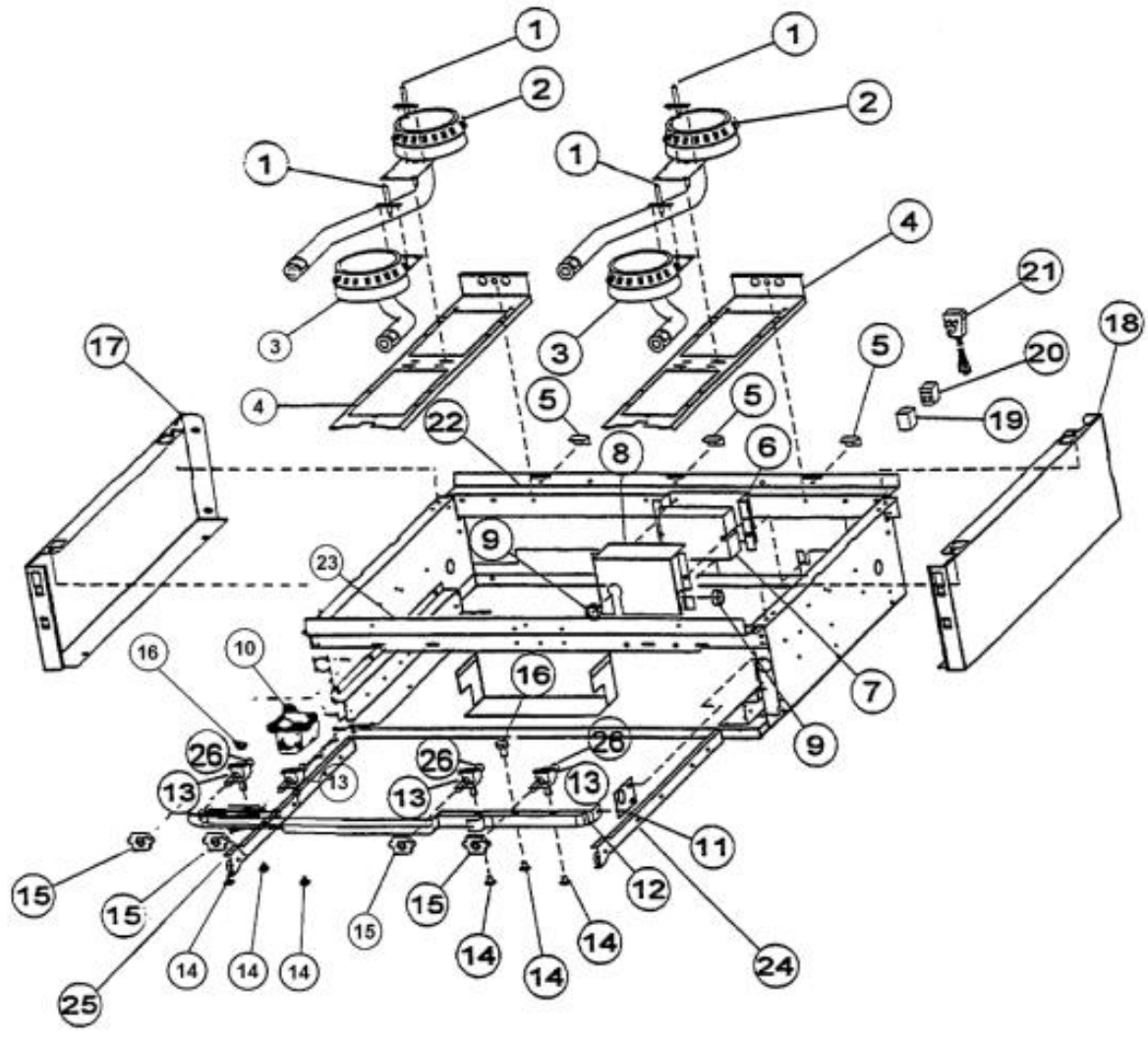


[Find Your VIKING Range Hoods Parts - Select From 411 Models](#)

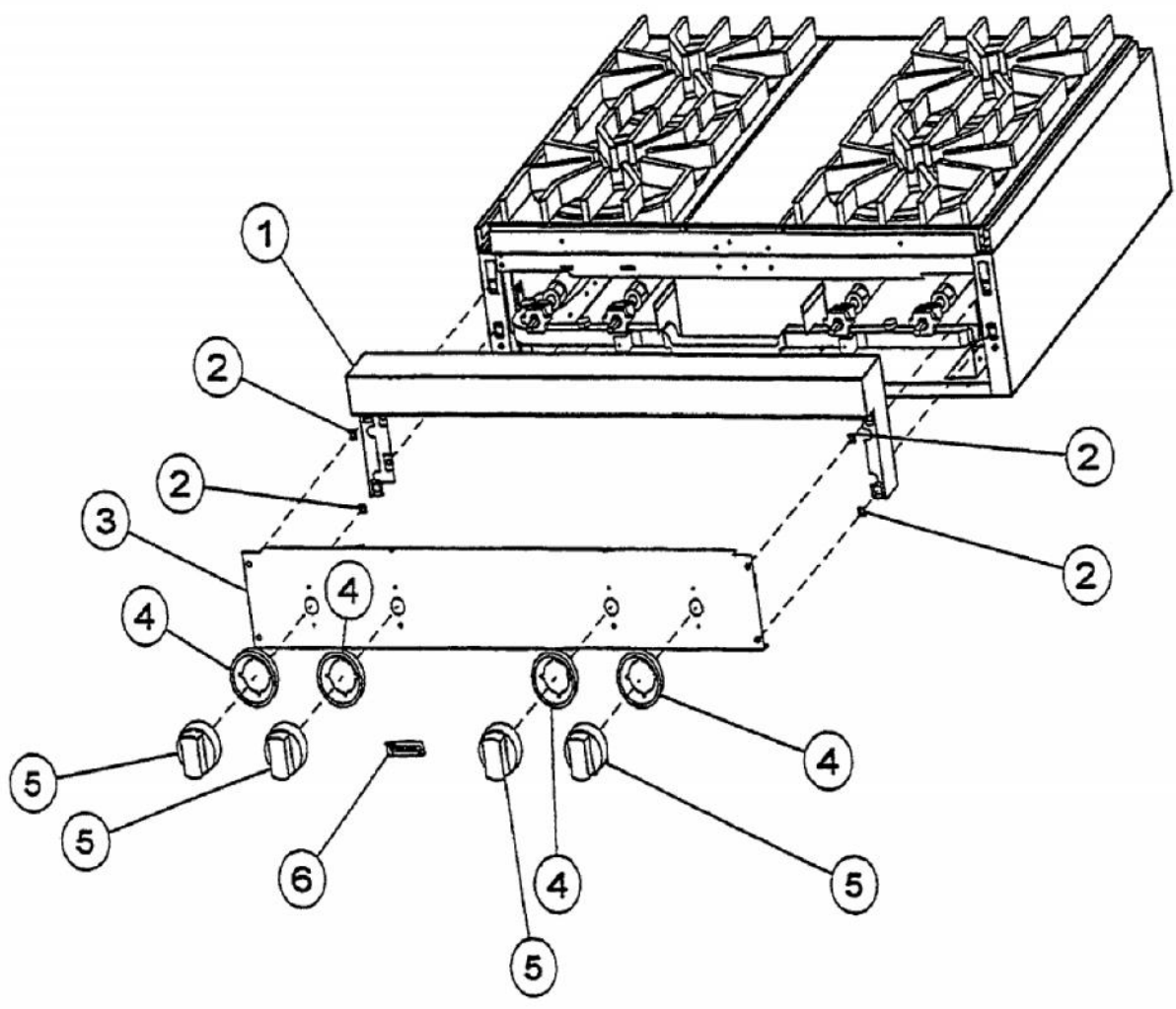
----- Manual continues below -----



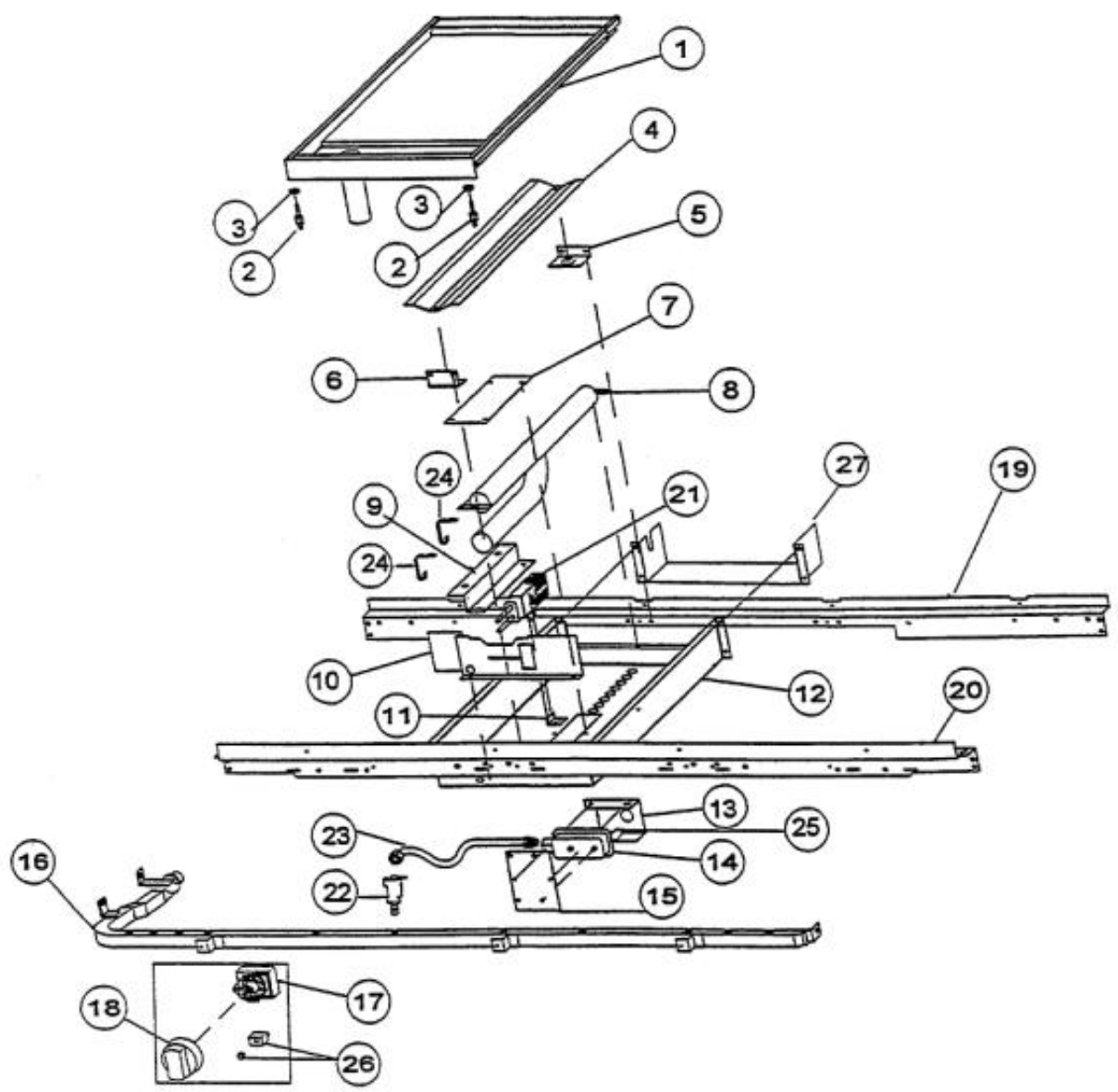
| Ref # | Part Number | Qty. | Description  |
|-------|-------------|------|--|
| 1     | PA060037    |      | GRATE BK REPL PA060024 (GEN.NO.2)                      |
|       | PA060038    |      | GRAY GRATES  |
| 2     | PA030002AL  |      | BURNER BOWL - AL                                       |
|       | PA030002BK  |      | BURNER BOWL (VGRT) XXBKXX                              |
|       | PA030002BT  |      | BURNER BOWL - BT                                       |
|       | PA030002CB  |      | BURNER BOWL - CB                                       |
|       | PA030002EP  |      | BURNER BOWL - EP                                       |
|       | PA030002FG  |      | BURNER BOWL - FG                                       |
|       | PA030002GG  |      | BURNER BOWLS - GG                                      |
|       | PA030002LE  |      | BURNER BOWLS - LE                                      |
|       | PA030002LN  |      | BURNER BOWL (VGRT) XXLNXX                              |
|       | PA030002MJ  |      | BURNER BOWL (VGRT) XXMJXX                              |
|       | PA030002PL  |      | BURNER BOWL (VGRT) XXPLXX                              |
|       | PA030002SG  |      | BURNER BOWL - SG                                       |
|       | PA030002VB  |      | BURNER BOWL (VGRT) XXVBXX                              |
|       | PA030002WH  |      | BURNER BOWL (VGRT) XXWHXX                              |
| 3     | PA080015    |      | BURNER CAP-VGRT XBKX                                   |
|       | PA080016    |      | BURNER CAP-VGRT (GRAY-MATT)                            |
| 4     | PD040004    |      | GROMMET BUMPER   |
| 5     | PD010017    |      | BALL STUD (VGRT)                                       |
| 6     | PD030012    |      | 6-32 HEX NUT   |
| 7     | G50013584AL |      | BURNER GRATE SUPPORT ASSEMBLY - AL                     |
|       | G50013584BK |      | GRATE SUPPORT SERVICE KIT (BK)                         |
|       | G50013584BT |      | GRATE SUPPORT SERVICE KIT (BT) - NLA                   |
|       | G50013584CB |      | BURNER GRATE SUPPORT ASSEMBLY - CB                     |
|       | G50013584EP |      | BURNER GRATE SUPPORT ASSEMBLY - EP                     |
|       | G50013584FG |      | BURNER GRATE SUPPORT ASSEMBLY - FG                     |
|       | G50013584GG |      | BURNER GRATE SUPPORT ASSEMBLY - GG                     |
|       | G50013584LE |      | BURNER GRATE SUPPORT ASSEMBLY - LE                     |
|       | G50013584LN |      | GRATE SUPPORT SERVICE KIT (LN)                         |
|       | G50013584MJ |      | BURNER GRATE SUPPORT ASSEMBLY - MJ                     |
|       | G50013584PL |      | GRATE SUPPORT ASSEMBLY - PL                            |
|       | G50013584SG |      | BURNER GRATE SUPPORT ASSEMBLY - SG                     |
|       | G50013584VB |      | BURNER GRATE SUPPORT ASSEMBLY - VB                     |
|       | G50013584WH |      | GRATE SUPPORT SERVICE KIT (WH)                         |
| 8     | B2001915    |      | SIDE TRIM-RH (VGRT)                                    |
|       | C9301915BR  |      | SIDE TRIM RH (VGRT) XBRX                               |
| 9     | B2001916    |      | SIDE TRIM-LH (VGRT)                                    |
|       | C9301916BR  |      | SIDE TRIM LH (VGRT) XBRX                               |
| 10    | G3101427    |      | DRIP TRAY ASSY - (VGSC 30) RIVITED<br>BEFORE (12/6/96) |
|       | G3101897    |      | DRIP TRAY ASSY RH 60(6GQ)<br>BEFORE (12/6/96)          |
|       | G3101898    |      | DRIP TRAY - 60` 6GQ - LH<br>BEFORE (12/6/96)           |
| 11    | J2101749    |      | GREASE PAN<br>(AFTER 12/6/96)                          |
|       | PB080011    |      | GREASE PAN<br>BEFORE (12/6/96)                         |
| 12    | G3002584    |      | DRIP TRAY HANDLE - SS (BEFORE 03/2404)                 |
|       | C9301840PVD |      | DRIP TY HDLE REPL C9301840BR                           |
| 13    | PD010003    |      | 10-24 X 1/2 PH.TR.HD.SERD.M.S.                         |
| NI    | PD030010    |      | NO.10-24 KEPS NUT                                      |



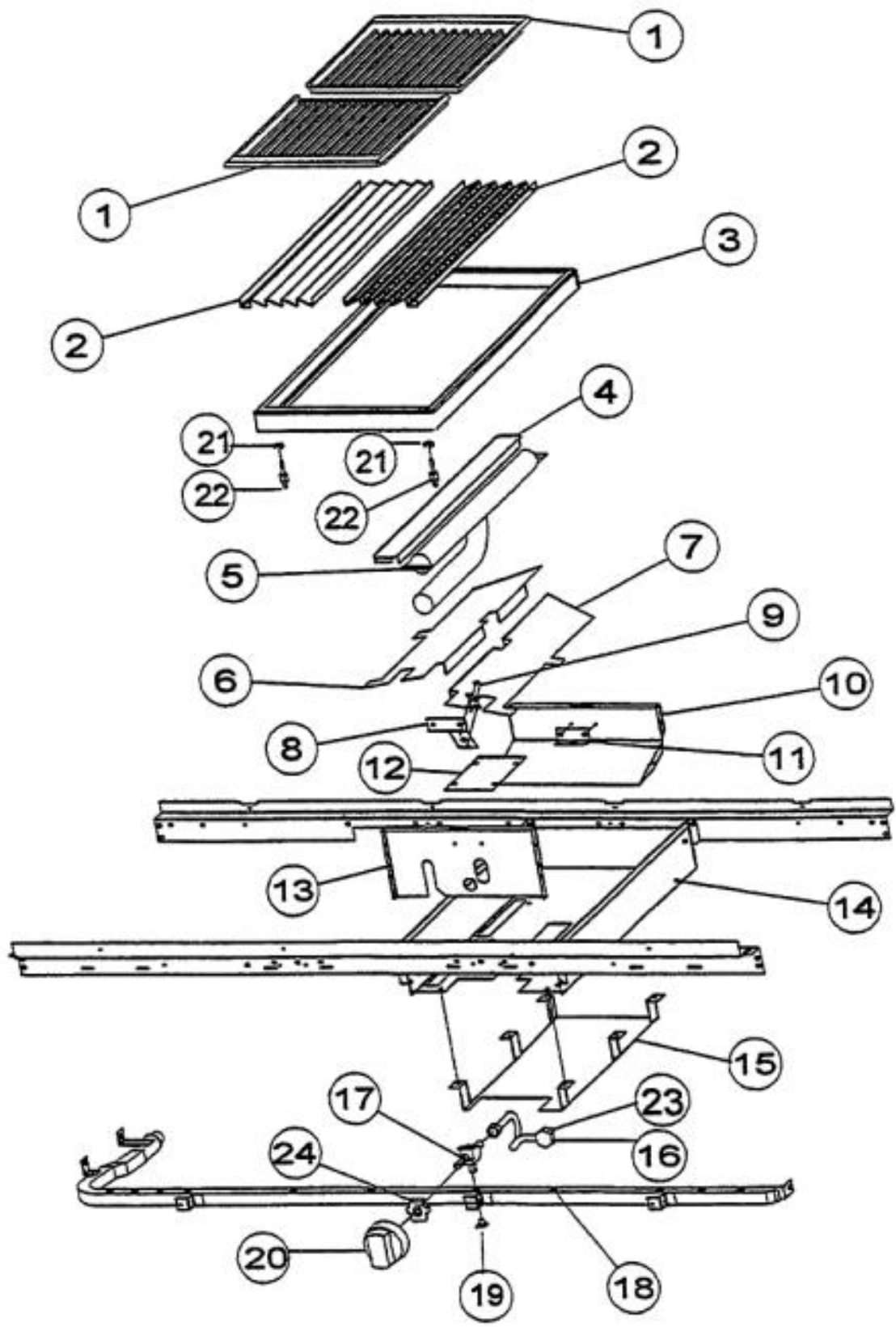
| Ref # | Part Number | Qty. | Description   |
|-------|-------------|------|---|
| 1     | PA020014    |      | SPARK IGNITOR   |
| 2     | PA080036    |      | TOP BURNER REAR REPL PA080008   |
| 3     | PA080037    |      | TOP BURNER FRONT REPL PA080007  |
| 4     | A2001112    |      | BURNER SUPT (VGRT)  |
| 5     | A2001147    |      | GRATE SUPT ANGLE (VGRT)   |
| 6     | A1001619    |      | SPARK MODULE PLATE  |
| 7     | PA020041    |      | TYTRONICS 0+4 SPARK MODULE  |
| 8     | A2001620    |      | SPARK MODULE COVER (VGRC)   |
| 9     | PD040005    |      | SNAP BUSHING - 7/8  |
| 10    | PA070003    |      | PRESSURE REGULATOR (NAT.)   |
| 11    | A1001138    |      | MANIFOLD BRKT   |
| 12    | PA050116    |      | UNIVERSAL 60 MANIFOLD   |
| 13    | 003519-000  |      | PA010024 VALVE AND BOLT KIT<br>(BEFORE 08/09/02)                                |
|       | G50012678   |      | TOP BURNER VALVE KIT (BRASS VALVE REPLACEMENT)<br>(BETWEEN 08/09/02 & 09/22/04) |
|       | PA010157    |      | SUB TO 003515-000 - RANGE TOP BURNER VALVE<br>(AFTER 09/22/04)                  |
| 14    | PD010012    |      | VALVE BOLT 1/4-20 UNC-2B 5/16 M.S.  |
| 15    | PA020015    |      | SPARK IGNITION SWITCH<br>(BEFORE 09/22/04)                                      |
|       | PA020045    |      | IGNITOR SWITCH<br>(AFTER 09/22/04)  |
| 16    | PA010012    |      | ROPER PLUG  |
| 17    | B2001920    |      | SIDE PANEL-LH (VGRT)  |
| 18    | B2001919    |      | SIDE PANEL-RH (VGRT)  |
| 19    | PE070070    |      | DISCONNECT BLOCK XALX 770020-1  |
| 20    | PE070071    |      | DISCONNECT BLOCK XALX 770027-1  |
| 21    | PE070128    |      | SUPPLY CORD (VGRT/SC/SS/RC)   |
| 22    | A2001812    |      | REAR BURNER SUPT (VGRC60)   |
| 23    | A2001811    |      | FRONT BURNER SUPT- (VGRC60)   |
| 24    | PK000008    |      | DRIP TRAY GUIDE - RH  |
| 25    | PK000007    |      | DRIP TRAY GUIDE - LH (VGRT)   |
| 26    | PB040034    |      | ORIFICE HOOD-NO.50 (NAT)  |
|       | PB040036    |      | ORIFICE HOOD-NO.57 (LP)   |
| NI    | G4001330    |      | SPARK IGNITOR WIRE ASSY (10)  |
| NI    | G4001593    |      | SPARK MODULE-TOP BRNR SPARKER (16)  |



| Ref # | Part Number | Qty. | Description  |
|-------|-------------|------|--|
| 1     | G3001406    |      | LANDING LEDGE ASSY                                       |
|       | G3001585    |      | 36 LANDING LEDGE   |
|       | G3001584    |      | LANDING LGD 48   |
|       | G3001810    |      | LANDING LEDGE (VGRC605)                                  |
| 2     | PD030050    |      | 10-24 CAGE NUT SS  |
| 3     | B9202601    |      | CTRL PAN- (VGRT600-6GQ )XSLK SCRX                        |
|       | C9202601BK  |      | CTRL PAN- XBKX (VGRT600-6GQ)                             |
|       | C9202601WH  |      | CTRL PAN- XWHX ( VGRT600-6GQ)                            |
|       | B9202600    |      | CTRL PAN- (VGRT600-6G )XSLK SCRX                         |
|       | C9202600BK  |      | CTRL PAN- XBKX (VGRT600-6G) XSLK S                       |
|       | C9202600WH  |      | CTRL PAN- XWHX (VGRT600-6G )XSLK SC                      |
| 4     | PB010208    |      | BEZEL, CHROME PLATE                                      |
|       | PB010209    |      | BEZEL BRASS  |
| 5     | PA010034    |      | TOP BURNER KNOB-XBKX (NEW STYLE)                         |
|       |             |      | (BEFORE 08/09/02) IF ORIGINAL VALVE HAS NEVER BEEN R...  |
|       | PA010035    |      | BURNER KNOB-WH NS REPL PA010028                          |
|       |             |      | (BEFORE 08/09/02) IF ORIGINAL VALVE HAS NEVER BEEN R...  |
|       | PB010206    |      | VGSC,VGRC,VGRT TOP BURNER KNOB(BK)                       |
|       |             |      | (AFTER 08/09/02 - OR IF ORIGINAL VALVE HAS BEEN REPLA... |
|       | PB010207    |      | VGSC,VGRC,VGRT TOP BURNER KNOB(WH)                       |
|       |             |      | (AFTER 08/09/02 - OR IF ORIGINAL VALVE HAS BEEN REPLA... |
| 6     | PE010020    |      | LOGO - PROFESSIONAL - VRTR, XBKX ASSY                    |
|       |             |      | (BEFORE 5/11/99)   |
|       | PE010019    |      | LOGO - PROFESSIONAL - VRTR, XWHX                         |
|       |             |      | (BEFORE 5/11/99)   |
|       | PE010056    |      | 2 LOGO/VIKING PROF XBKXXBRX                              |
|       |             |      | (BEFORE 5/11/99)   |
|       | PE010055    |      | 2 LOGO/VIKING PROF XWHXXBRX                              |
|       |             |      | (BEFORE 5/11/99)   |
|       | PE010142    |      | 3 LOGO XBKXXCHROME                                       |
|       |             |      | (AFTER 5/11/99)  |
|       | PE010144    |      | 3 LOGO XWHXCHROME  |
|       |             |      | (AFTER 5/11/99)  |
|       | PE010143    |      | 3 LOGO BK/BR   |
|       |             |      | (AFTER 5/11/99)  |
|       | PE010145    |      | LOGO - WH / BR   |
|       |             |      | (AFTER 5/11/99)  |



| Ref # | Part Number | Qty. | Description  |
|-------|-------------|------|--|
| 1     | G30010494   |      | GRIDDLE WELD ASSY  |
|       | G30010495   |      | GRIDDLE ASSEMBLY   |
| NI    | PD040024    |      | NO.6-32 X .250 INSERT  |
| 2     | PD010017    |      | BALL STUD (VGRT)   |
| 3     | PD030012    |      | 6-32 HEX NUT   |
| 4     | B2001884    |      | GRIDDLE FLAME SHIELD   |
| 5     | A2001880    |      | REAR MTG. BRKT. GRIDDLE FLAME SHLD                             |
| 6     | A2001881    |      | FRONT MTG. BRKT. GRIDDLE FLAME SHLD                            |
| 7     | A1001636    |      | GRIDDLE VENTURI COVER  |
| 8     | PB050077    |      | GRILL BURNER   |
| 9     | A2001949    |      | T/STAT BULB COVER REPL A2001883                                |
| 10    | A2002001    |      | GRIDDLE HEAT BAFFLE - SLOT SUPT                                |
| 11    | A2001300    |      | GRIDDLE IGNITOR BRKT   |
| 12    | A2001148    |      | GRIDDLE BOX (VGRT)   |
| 13    | A2001630    |      | GRIDDLE VALVE COVER (VGRC)                                     |
| 14    | PB010004    |      | SINGLE SAFETY VALVE (NAT. GRIDDLE)                             |
| 15    | A1001198    |      | THERMAL VALVE BRKT   |
| 16    | PA050116    |      | UNIVERSAL 60 MANIFOLD  |
| 17    | PB010035    |      | THERMOSTAT BAKE  |
| 18    | PB010103    |      | GRIDDLE KNOB N/S XBKX  |
|       | PB010104    |      | GRIDDLE KNOB N/S XWHX  |
| 19    | A2001812    |      | REAR BURNER SUPT (VGRC60)                                      |
| 20    | A2001811    |      | FRONT BURNER SUPT- (VGRC60)                                    |
| 21    | PB040001    |      | IGNITOR - (ALL RANGES)   |
| 22    | PB030002    |      | SUB TO 003862-000 - SHUTOFF VALVE<br>(BEFORE 09/22/04)         |
|       | PB030007    |      | SHUT OFF VALVE<br>(AFTER 09/22/04)                             |
| 23    | PB020007    |      | GRIDDLE TUBING   |
| 24    | PD030031    |      | THERMAL BULB CLIP - .250                                       |
| 25    | PB040035    |      | ORIFICE HOOD-NO.51 9701B1651                                   |
|       | PB040036    |      | ORIFICE HOOD-NO.57 (LP)  |
| 26    | PE050023    |      | OVEN IND. LIGHT (LENS & BEZEL)                                 |
|       | PE050024    |      | OVEN IND. LIGHT (LIGHT HOUSING)                                |
| 27    | A2002147    |      | GRIDDLE FLUE COVER (VGRT/VGSS/VGIS)                            |
| NI    | PD040022    |      | 1/2 X 1/4-BUMPER (PORT. GRIDDLE)(BK<br>(PORTABLE GRIDDLE ONLY) |
| NI    | PD020039    |      | NO.6-32 X 1/2 PH.PN.HD. TYPE (23)<br>(PORTABLE GRIDDLE ONLY)   |
| NI    | A1008475    |      | GRIDDLE FLUE DIVERTER  |
| NI    | A2001179    |      | BACK SUPT (VGRT)   |



| Ref # | Part Number | Qty. | Description                         |
|-------|-------------|------|-------------------------------------|
| 1     | PA060028    |      | GRILL GRATE - BK                    |
|       | PA060029    |      | GRILL GRATE - GR                    |
| 2     | E9101130BK  |      | GRILL SMOKE GENERATOR               |
| 3     | G9101182AL  |      | GRILL GRATE SUPT (VGRT) XALX        |
|       | G9101182BK  |      | GRILL GRATE SUPT (VGRT) XBKX        |
|       | G9101182BT  |      | GRILL GRATE SUPT (VGRT) XBTX        |
|       | G9101182CB  |      | GRILL GRATE SUPT (VGRT) XCBX        |
|       | G9101182EP  |      | GRILL GRATE SUPT (VGRT) XEPX        |
|       | G9101182FG  |      | GRILL GRATE SUPT (VGRT) XFGX        |
|       | G9101182GG  |      | GRILL GRATE SUPPORT - GG            |
|       | G9101182LE  |      | GRILL GRATE SUPT (VGRT) XLEX        |
|       | G9101182LN  |      | GRILL GRATE SUPT (VGRT) XLNX        |
|       | G9101182MJ  |      | GRILL GRATE SUPT (VGRT) XMJX        |
|       | G9101182PL  |      | GRILL GRATE SUPT (VGRT) XPLX        |
|       | G9101182SG  |      | GRILL GRATE SUPT (VGRT) XSGX        |
|       | G9101182VB  |      | GRILL GRATE SUPT (VGRT) XVBX        |
|       | G9101182WH  |      | GRILL GRATE SUPT (VGRT) XWHX        |
| 4     | B2001140    |      | GRILL FLAME SHIELD (VGRT)           |
| 5     | PB050077    |      | GRILL BURNER                        |
| 6     | B2001856    |      | GRILL HEAT DEFLECTOR-LH (VGRC60)    |
| 7     | B2001857    |      | GRILL HEAT DEFLECTOR-RH (VGRC60)    |
| 8     | A2001633    |      | GRILL FRONT SPARKER BRKT (VGRC)     |
| 9     | PA020014    |      | SPARK IGNITOR                       |
| 10    | A2001855    |      | GRILL BACK - (VGRC605)              |
| 11    | A2001132    |      | REAR GRILL BURNER BRKT (VGRT)       |
| 12    | A1001862    |      | GRILL VENTURI COVER (VGRC605)       |
| 13    | A2001631    |      | GRILL BOX FRONT (VGRC)              |
| 14    | A2001852    |      | GRILL BOX - (VGRC605)               |
| 15    | A2001863    |      | GRILL BTM SHIELD (VGRC605)          |
| 16    | PB020025    |      | TUBING-GRILL (REVISED) REP PB020021 |
| 17    | PA010030    |      | GRILL VALVE-(VGRT)                  |
| 18    | PA050116    |      | UNIVERSAL 60 MANIFOLD               |
| 19    | PD010012    |      | VALVE BOLT 1/4-20 UNC-2B 5/16 M.S.  |
| 20    | PA010039    |      | TOP GRILL KNOBXBKX (VGRC) (N/STYLE  |
|       | PA010040    |      | TOP GRILL KNOBXWHX (VGRC) (N/STYLE  |
| 21    | PD030012    |      | 6-32 HEX NUT                        |
| 22    | PD010017    |      | BALL STUD (VGRT)                    |
| 23    | PB040061    |      | ORIFICE HOOD - NO.48                |
|       | PB040062    |      | ORIFICE HOOD-NO.56                  |
| 24    | PA020015    |      | SPARK IGNITION SWITCH               |