

This Owner's Manual is provided and hosted by [Appliance Factory Parts](#).



# DYNA-GLO DGU732BDE-D Owner's Manual

[Shop genuine replacement parts for DYNA-GLO  
DGU732BDE-D](#)



[Find Your DYNA-GLO Grill Parts - Select From 227 Models](#)

----- Manual continues below -----

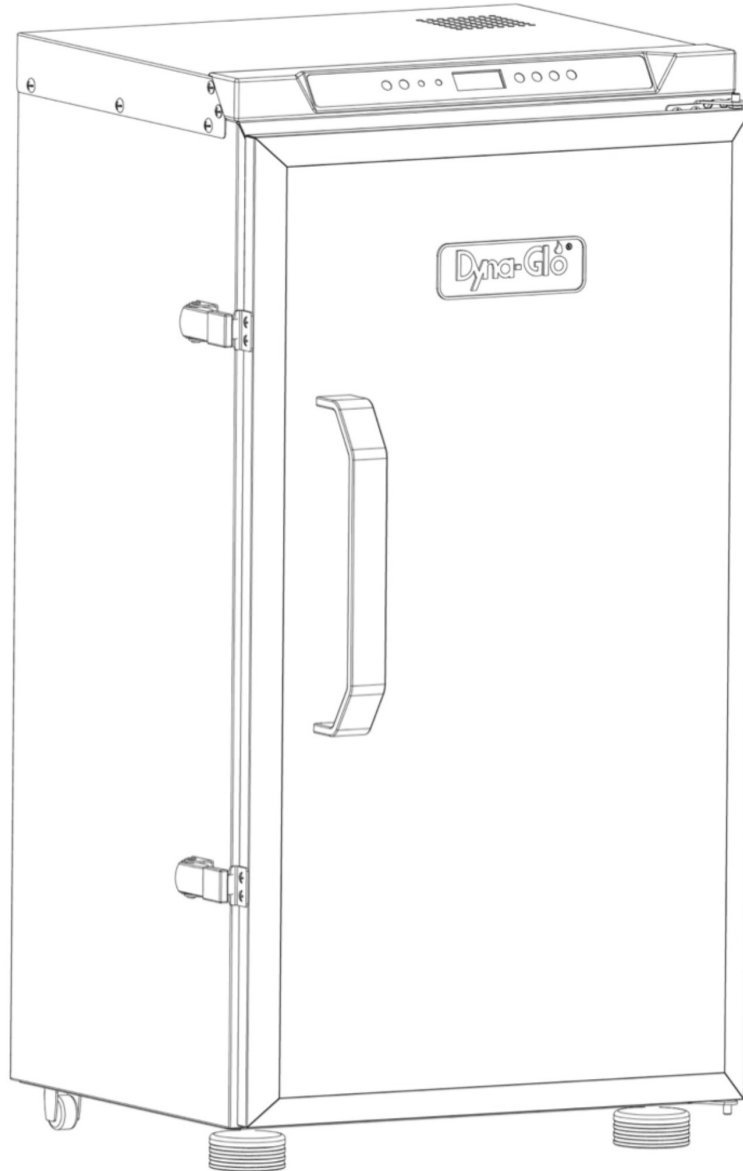


# Vertical Electric Digital Smoker

MODEL #DGU732BDE / DGU732BDE-D

Français p. 26

Español p. 52



C US

UL 1026 - sixth edition, 2012  
Electric Household  
Cooking and Food  
Serving Appliances

CSA C22.2 No. 64-10  
(reaffirmed 2014)  
Household Cooking and  
Liquid-Heating Appliances

**FOR OUTDOOR  
USE ONLY**  
Use only with Class A GFI  
(Ground Fault Interrupter)

ATTACH YOUR RECEIPT HERE

Serial Number \_\_\_\_\_ Purchase Date \_\_\_\_\_



**Questions, problems, missing parts?** Before returning to your retailer, call our customer service department at 1-877-447-4768, 8:30 a.m. – 4:30 p.m. CST, Monday – Friday or e-mail us at [customerservice@ghpgroupinc.com](mailto:customerservice@ghpgroupinc.com).

70-10-559

Rev. 12/7/16



**NO NEED TO RETURN TO THE STORE**

Questions With The Assembly?  
Require Parts Information?  
Product Under Manufacturers Warranty?

Call Toll Free : 1-877-447-4768  
8:30 a.m. – 4:30 pm CST, Monday – Friday

**Retain This Owner's Manual And Proof Of Purchase For Future Reference**

**To help us help you**

Fill in the information below:

--	--	--	--

Date of Purchase

Place of Purchase

Model Number

Product Serial No.

MODEL NUMBER AND PRODUCT SERIAL NUMBER CAN BE FOUND ON  
THE RATING LABEL OF YOUR GRILL.

## TABLE OF CONTENTS

---

Safety Information .....	3
Package Contents .....	8
Hardware Contents .....	9
Preparation Before Assembly .....	9
Assembly Instructions .....	10
Operating Instructions .....	13
Tips On Smoking .....	19
Care and Maintenance .....	21
Troubleshooting .....	22
Replacement Parts List .....	24
Warranty .....	25

Assembler/Installer: This instruction manual contains important information necessary for the proper assembly and safe use of this appliance. Read and follow all warnings and instructions before assembling and using this appliance. **Leave these instructions with the consumer.**

**Consumer/User: Follow all warnings and instructions when using this appliance.**

## SAVE THESE INSTRUCTIONS

### SAFETY INFORMATION

---

Please read and understand this entire manual before attempting to assemble, operate or install the product. If you have any questions regarding the product, call our customer service department at 1-877-447-4768, 8:30 a.m.- 4:30 p.m. CST, Monday - Friday.

### CAUTION

- When using electrical appliances, basic precautions should always be followed to reduce the risk of fire, electrical shock, and injury to persons.

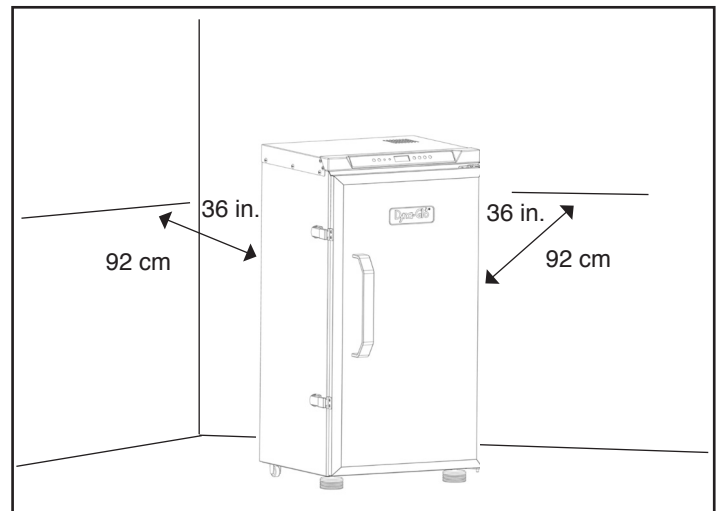
### DANGER

- Failure to follow these instructions could result in fire or burn hazard which could cause property damage, personal injury or death.

## IMPORTANT SAFEGUARDS

READ ALL INSTRUCTIONS, PRIOR TO USING THIS SMOKER

- **DO NOT** use this product for anything other than its intended purpose. It is **NOT** intended for commercial use. It is **NOT** intended to be installed or used in or on a recreational vehicle and/or boat.
- **DO NOT** operate this smoker with a damaged cord or plug or after the smoker malfunctions, has been dropped, or is damaged in any manner.
- **DO NOT** use smoker within 10 feet (3m) of a swimming pool, puddle, pond or other body of water.
- Keep smoker and electric controller dry and out of rain at all times.
- A minimum clearance of 36 in. (92 cm) to combustible material is required on the front, sides and back. It is very important to always maintain proper clearances to combustibles.
- When using flavoring wood, add a sufficient amount at the start of the cooking process, in order to avoid re-adding wood during the cooking process. Adding wood while operating may splash hot water and cause serious injury.
- Check the water level at least every 2 hours. A sizzling sound may indicate a low water level. Follow instructions in this manual for adding water while operating (see Page 17).
- **DO NOT** use the appliance during an electrical storm.
- Connect to properly grounded outlets only.
- Use only with a Class A GFI (Ground Fault Interrupter) protected circuit.
- Arrange the power cord away from traffic areas to ensure that it is not tripped over.
- To disconnect the smoker, turn the smoker off by pressing and holding the Power button (⏻) , and remove the plug from the outlet.
- **DO NOT** obstruct the flow of ventilated air for the appliance.
- **DO NOT** use metal foil on the cooking grates. Doing so may result in damage to the smoker.
- **DO NOT** use this appliance as a heater.
- **DO NOT** use charcoal with this appliance. This appliance is not designed for use with charcoal and a fire will result if charcoal is used during operation. The fire will create an unsafe condition and damage the smoker.
- Use caution when opening the door of the smoker while in operation. Keep hands, face and body safe from hot steam or flare-ups. **DO NOT** inhale smoke.
- If you must dispose of ashes in less time than it takes for the ashes to completely cool down, then remove the ashes from the appliance using insulated oven mitts or gloves and completely soak the ashes with water before disposing of them in a noncombustible container.
- **DO NOT** wear loose clothing while operating the smoker. Tie back long hair while operating the smoker.
- **ALWAYS** wear shoes that fully cover your feet while operating the smoker.



## SAFETY INFORMATION

---

- **DO NOT** touch hot surfaces. Use handles or knobs.
- To protect against electrical shock do not immerse cord, plugs, or thermostat control assembly in water or other liquid.
- Close supervision is necessary when any appliance is used by or near children.
- Unplug from outlet when not in use and before cleaning. Allow to cool before putting on or taking off parts.
- **DO NOT** operate any appliance with a damaged cord or plug or after the appliance malfunctions or has been damaged in any manner.
- The use of accessory attachments not recommended by the appliance manufacturer may cause injuries.
- **DO NOT** use indoors.
- **DO NOT** let cord hang over edge of table or counter, or touch hot surfaces.
- Do not place on or near a hot gas or electric burner, or in a heated oven.
- Extreme caution must be used when moving an appliance containing hot oil or other hot liquids.
- Always attach plug to appliance first, then plug cord into the wall outlet. To disconnect, turn any control to "OFF", then remove plug from wall outlet.
- **DO NOT** use appliance for other than intended use.
- Use extreme caution when removing trays or disposing of hot grease.
- **DO NOT** clean with metal scouring pads. Pieces can break off the pad and touch electrical parts, creating a risk of electric shock.
- Fuel, such as charcoal briquettes, is not to be used with appliance.
- Use only on properly grounded outlet.
- Be sure that handles are assembled and fastened properly. See instructions regarding handles on Page 10-11.
- **SAVE THESE INSTRUCTIONS.**

### **WARNING**

- **DO NOT** use 16 or 18 gauge extension cords. Damage to household wiring and/or fire could result.

#### **THE USE OF AN EXTENSION CORD IS NOT RECOMMENDED.**

READ ALL INSTRUCTIONS PRIOR TO USING AN EXTENSION CORD WITH THIS SMOKER

- Use only **OUTDOOR** type with 3 prong grounding plug, rated for 15 amperes or more, approved by UL, marked with a W-A and a tag stating "Suitable for Use with Outdoor Appliance".
- Use the shortest length extension cord required. Do not connect 2 or more extension cords together.
- Do not let cord hang over edge of table top or other items where it can be pulled by children or tripped over.

## SAFETY INFORMATION

---

### Ground Fault Interrupter

- Since 1971, the National Electric Code (NEC) has required Ground Fault Interrupter devices on all outdoor circuits.
- If your residence was built before 1971, check with a qualified electrician to determine if a Ground Fault Interrupter protector exists.
- Do not use this appliance if the circuit does not have Class A GFI protection.
- Do not plug this appliance into an indoor circuit.

### GENERAL SAFETY

#### READ ALL INSTRUCTIONS PRIOR TO USING THIS SMOKER

- This appliance is for outdoor use only in well-ventilated areas. **DO NOT** operate it under a roof, in a building, garage or any other enclosed area, or under overhead construction.
- Before each use, check that no dead leaves or debris are under the appliance.
- Keep a fire extinguisher near this product at all times.
- Always unplug the smoker when not in use.
- Allow the smoker and its components to cool completely before conducting any routine cleaning or maintenance.
- **DO NOT** use water or other liquid spray to clean the smoker without first unplugging the unit.
- Allow the smoker to cool to 115°F (45°C) before moving or storing. Use caution when lifting and moving the appliance to avoid back strain or back injury.
- **DO NOT** move the appliance while it is in use.
- When not in use, the smoker should be kept out of the elements or protected with a cover. Allow the smoker to completely cool before placing the cover. Store this appliance in a dry, protected location when possible.
- Use of accessory attachments not recommended by the appliance manufacturer may lead to injury or property damage.

## WARNING

To avoid serious injury:

- While cooking, the smoker must be on a level, stable, noncombustible surface in an area clear of combustible material, including long or dry grass.
- The use of alcohol, prescription or nonprescription drugs may impair the user's ability to properly assemble and safely operate this appliance.
- **DO NOT** move the appliance while it is in use.
- **DO NOT** store and use this appliance near gasoline or other combustible liquids or where other combustible vapors may be present.
- The smoker should only be used in well-ventilated areas.
- **DO NOT** use this appliance as a heater.
- **DO NOT** leave the appliance unattended while in use. Keep children and pets away from the appliance at all times.
- This appliance will be hot during and after use. Use insulated oven mitts or gloves for protection from hot surfaces or splatter from cooking liquids.

## WARNING

### **CALIFORNIA PROPOSITION 65**

- 1. Combustible by-products produced when using this product contains chemicals known to the state of California to cause cancer, birth defects, or other reproductive harm.**
- 2. This product contains chemicals, including lead and lead compounds, known to the state of California to cause cancer, birth defects or other reproductive harm.**

***Wash your hands after handling this product.***

## DANGER

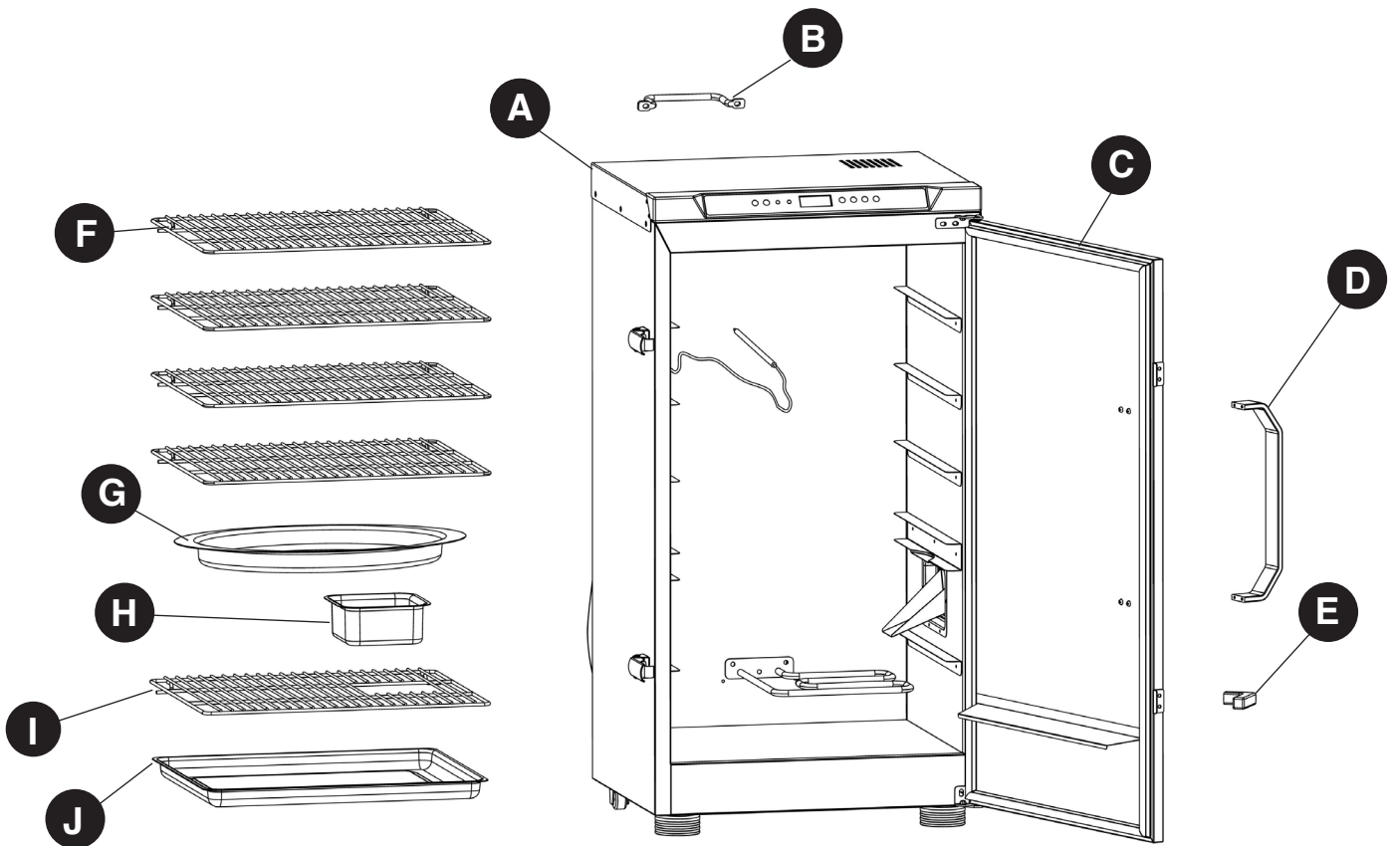
**In case of fire, unplug smoker from outlet and allow fire to burn out. Do not use water to put out a fire in this or another electrical appliance.**

**To avoid electrical shock, disconnect electric cord before cleaning smoker. Never immerse electric controller or heating element in any liquid.**

**To avoid the possibility of burns, make sure the smoker is completely cooled before removing and/or cleaning electric controller and heating element.**

**DO NOT use steel wool or wire brushes to clean the inside of the appliance. Pieces can break off and touch electrical parts creating a risk of electric shock.**

## PACKAGE CONTENTS



PART	DESCRIPTION	QUANTITY
A	Smoker cabinet assembly	1
B	Rear handle	1
C	Door assembly	1
D	Door handle	1
E	Wood chip access door handle	1
F	Cooking grates	4
G	Water bowl	1
H	Wood chip box	1
I	Wood chip box support	1
J	Grease tray	1

## HARDWARE CONTENTS (PRE-ASSEMBLED)

---

AA



M5 x 12 mm  
Screw

Qty. 3

1 M5 x 12 mm screw (AA) is pre-assembled in the wood chip access door handle (E).

2 M5 x 12 mm screws (AA) are pre-assembled in the smoker cabinet assembly (A).

BB



M4 x 35 mm  
Screw

Qty. 4

4 M4 x 35 mm screws (BB) are pre-assembled in the door handle (D).

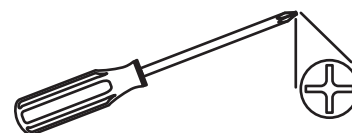
## PREPARATION BEFORE ASSEMBLY

---

Before beginning assembly of product, make sure all parts are present. Compare parts with package contents list and hardware contents list. If any part is missing or damaged, do not attempt to assemble the product. Please read and understand this entire manual before attempting to assemble, operate or install the product. If you have any questions regarding the product, call our customer service department at 1-877-447-4768, 8:30 a.m.- 4:30 p.m. CST, Monday - Friday.

**Estimated Assembly Time: 15 minutes**

Tools Required for Assembly (not included): Phillips Screwdriver

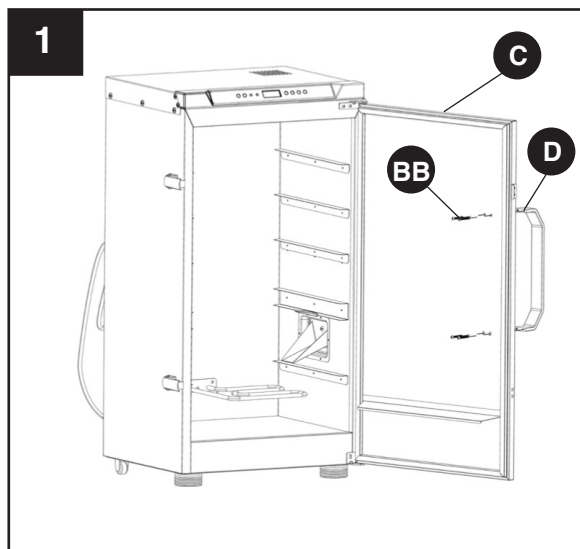


## ASSEMBLY INSTRUCTIONS

1. Remove the 4 pre-assembled M4 x 35 mm screws (BB) from the door handle (D) and attach the door handle (D) to the door assembly (C) as shown. Tighten the screws.

### Hardware Used

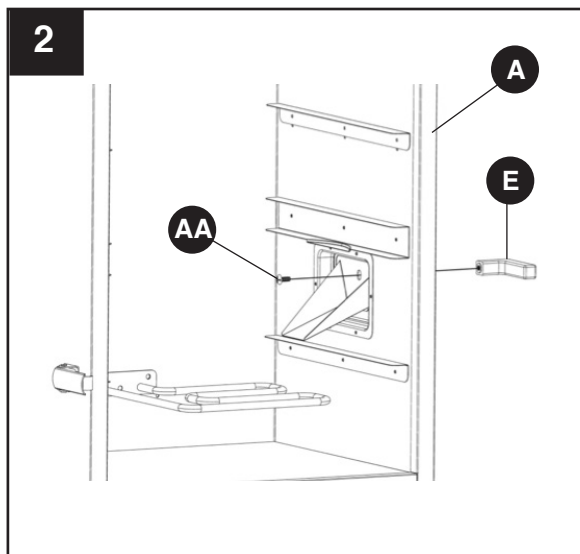
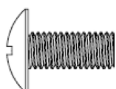
**BB** M4 x 35 mm Screw x 4



2. Remove 1 pre-assembled M5 x 12 mm screw (AA) from the wood chip access door handle (E). Insert the screw into the smoker cabinet assembly (A) and into the thread holes in the wood chip access door handle (E). Tighten the screw.

### Hardware Used

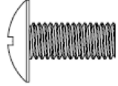
**AA** M5 x 12 mm Screw x 1

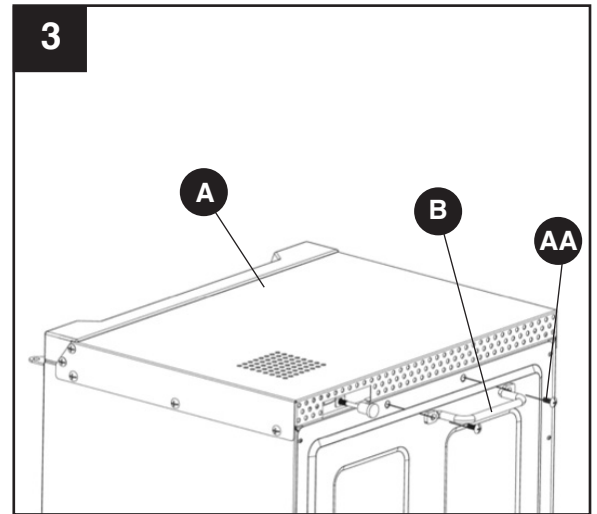


## ASSEMBLY INSTRUCTIONS

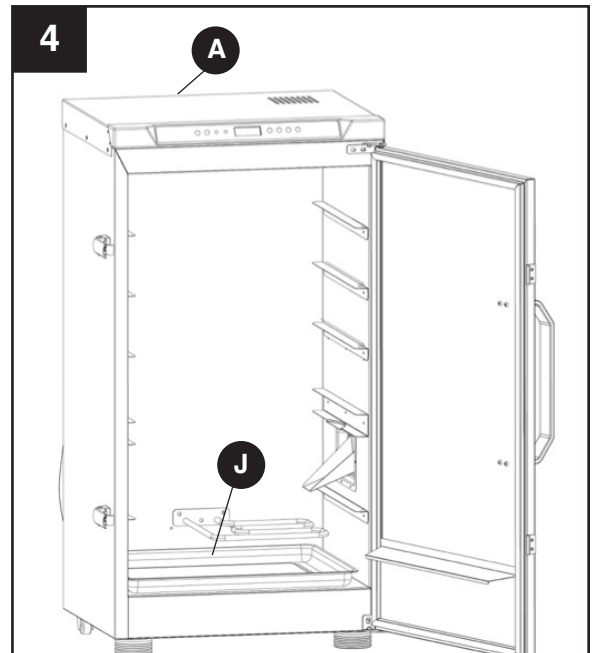
3. Remove the 2 pre-assembled M5 x 12 mm screws (AA) from the smoker cabinet assembly (A). Insert the 2 screws into the rear handle (B) and into the threaded holes in the smoker cabinet assembly (A). Tighten the screws.

### Hardware Used

- |           |                     |   |     |
|-----------|---------------------|---|-----|
| <b>AA</b> | M5 x 12 mm<br>Screw |  | x 2 |
|-----------|---------------------|---|-----|



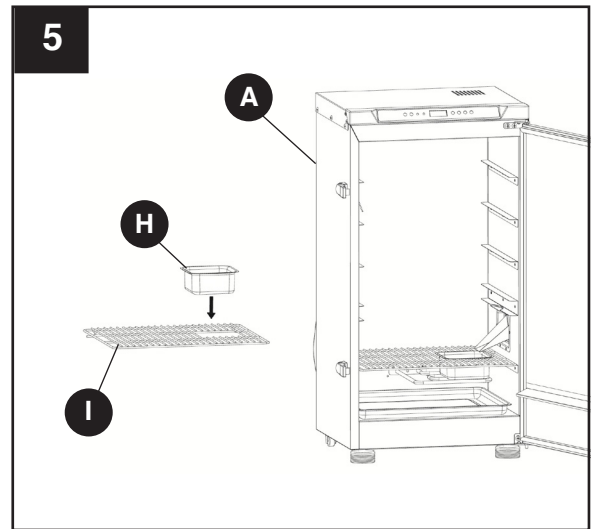
4. Place the grease tray (J) on the bottom of the smoker cabinet assembly (A) as shown.



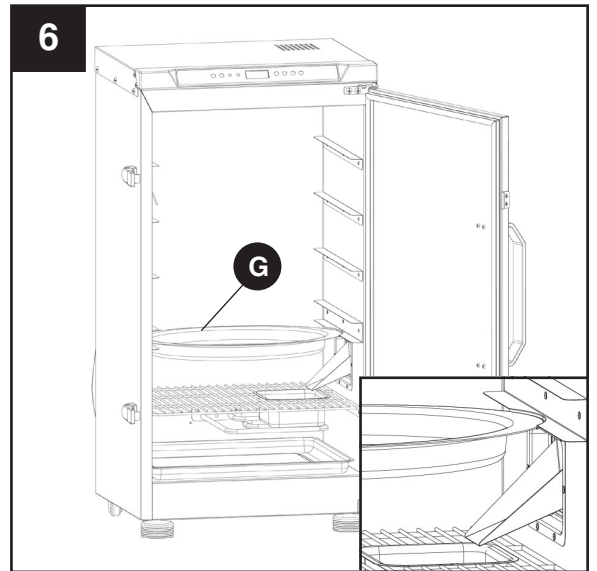
## ASSEMBLY INSTRUCTIONS

5. Place wood chip box (H) on the wood chip box support (I). Insert the wood chip box support (I) into the smoker cabinet assembly (A).

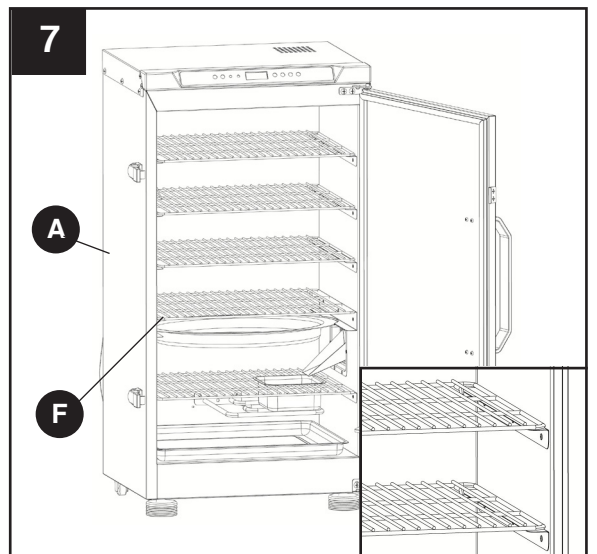
Note: The wood chip box must be on the right side of the smoker cabinet (A), directly below the wood chip loader, as shown.



6. Slide the water bowl (G) onto the cabinet support rails directly above the wood chip loader, as shown.



7. Slide the cooking grates (F) onto the support rails of the cabinet (A) as shown.



## OPERATING INSTRUCTIONS

---

### READ ALL INSTRUCTIONS PRIOR TO USING THE SMOKER FOR THE FIRST TIME

#### Before Initial Use:

Remove all packaging, hang tags, plastic straps, and sales stickers if present. Do not use sharp tools.

Wash cooking grates with warm, soapy water, rinse and allow to completely dry before placing them back into the smoker.

Prior to initial use, it is important to “season” your smoker. Seasoning helps eliminate potential factory residue that occurs during production and enhances flavoring, durability and overall performance. Refer to Page 17 for the operating time and cooking temperature required for seasoning.

#### Before Each Use:

### READ ALL INSTRUCTIONS PRIOR TO USING THE SMOKER

- The smoker must be on a level, stable, noncombustible surface in an area clear of combustible material, including long or dry grass.
- Avoid moving the smoker over bumpy or uneven surfaces. Damage to the smoker may occur as a result.
- To prevent household circuit breakers from tripping, keep electric smoker controls and cord connections dry and do not use other electrical products on the same circuit.
- Make sure the grease tray, wood chip box and water bowl are clean and empty and placed back into the smoker according to the instructions.
- Lightly coat each cooking grate with vegetable oil or vegetable oil spray to prevent foods from sticking to the grates during cooking.
- **DO NOT** cover the cooking grates with metal foil.

## ⚠ WARNING ⚠

**Failure to follow all manufacturer’s instructions could result in serious personal injury and/or property damage.**

**Use care when operating your smoker.**

**To avoid possible flare-ups or grease fires, clean and empty the water bowl and grease pan before use.**

**Read and follow all the information and safeguards in this product guide before attempting to assemble or operating this smoker.**

## ⚠ CAUTION ⚠

- **Do not use sharp or pointed tools to clean smoker.**
- **Do not use abrasive oven cleaners, steel wool or metal brushes to clean porcelain grates or smoker body. They will damage the finish.**
- **Replace damaged part(s) only with Dyna-Glo certified replacement parts. Do not attempt to repair damaged parts.**

## OPERATING INSTRUCTIONS

---


### Safety Guidelines

- Refer to the “Troubleshooting Section” on Pages 22 and 23 for operational problems.
- **DO NOT** open the smoker door while operating unless it is necessary. Opening the door will allow heat to escape and prolong the cooking time.
- **DO NOT USE CHARCOAL.** This appliance is not designed for use with charcoal and a fire will result if charcoal is used during operation. The fire will create an unsafe condition and damage the smoker.
- **Wood chips** must be used to create the smoke and flavor.
- In order to maintain optimal performance, cleaning the smoker after each use is highly recommended. Wait until the smoker has completely cooled before cleaning. Refer to the Care and Maintenance section on Page 21.

### Control Panel Operating Instructions




 – Turns smoker on and off.


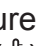

 – Switches input to adjust cooking temperature.

 – Switches input to adjust cooking time. Switches between F and C when held for 5 seconds.

 – Displays the meat temperature, when pressed.

 – Indicates that the smoker is plugged in and ready to turn on, when lit.

 – Indicates the burner is ON, when lit.

- Press the **Power button** () once (a beep should occur). The display will switch between 00:00 and the internal temperature (F or C) every few seconds until the control panel receives the input settings for **Temp button** () and/or **Time button** ()

**NOTE:** Always leave the water bowl in place while operating the smoker. If additional water is needed during the cooking process, carefully pour water into the drip pan opening. **DO NOT** remove the water bowl to add water. Avoid splashing water onto the heating element. Serious damage to the heating element could result, along with flare-ups and electrical failure.

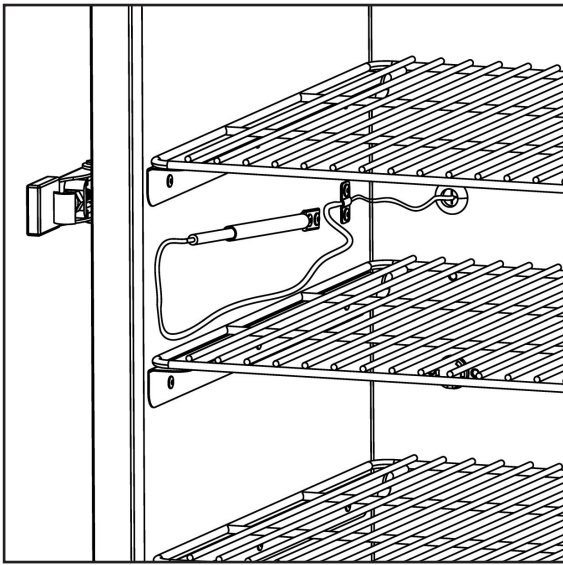
## OPERATING INSTRUCTIONS

---

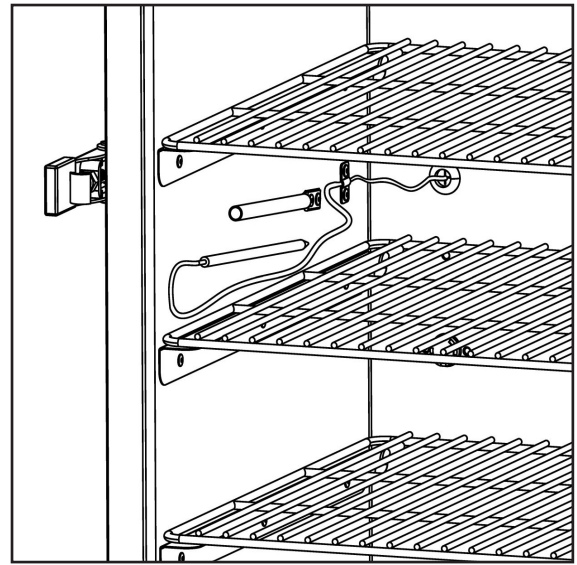
### Using the Meat Thermometer:

The meat thermometer measures the internal temperature of the meat and is useful for indicating when food has reached the recommended temperature for safe consumption. Refer to the chart on Page 20 for proper food temperatures. For proper placement, remove the probe from the holster and push the end of the thermometer towards the center of the thickest part of the meat. This portion of the meat will require the longest cook time. If your meat has a bone, avoid touching the end of the thermometer to the bone while cooking. If the thermometer is not used during the cooking process, it should be kept inside the holster. For more information on food safety call: USDA Meat and Poultry Hotline at 1-888-MPHOTLINE (888-674-6854) In Washington, DC  
Or E-mail: [mph hotline.fsis@usda.gov](mailto:mph hotline.fsis@usda.gov)  
Or visit the USDA website at [www.fsis.usda.gov](http://www.fsis.usda.gov)

**Meat Probe in the holster**



**Meat Probe out of the holster**



## OPERATING INSTRUCTIONS

---

### Cooking with the Smoker:

#### A. Using the **Time Button** (🕒)

Display Range: 00:00 – 24:00 hours.

1. Plug in the smoker and press the **Power button** (🔌) once (a beep should occur).
2. Press the **Time button** (🕒) to display "00:00". The hour side will blink on and off.
3. Press the **"UP"** or **"DOWN"** button to raise or lower the hour in 1 hour increments. (The display will continue to blink). Hold down the button to automatically increase or decrease the time and release the button when the desired cooking time setting is reached. NOTE: If the **"UP"** or **"DOWN"** buttons are not pushed within 5 seconds, the time setting will default back to "00:00" and the **Time button** (🕒) must be pushed again to restart the time setting process.
4. Press the **Time button** (🕒) again to complete the hour setting. The minute side will now blink on and off.
5. Press the **"UP"** or **"Down"** button to raise or lower the minutes. The display will continue to blink.
6. Press the **Time button** (🕒) again to complete the minute setting. The time display will stop blinking and the "Heating" indicator light will turn on. Cooking temperature is now ready to be set.

**NOTE:** The default temperature is set to 100° F (38° C).

**NOTE:** To switch between Fahrenheit (F) and Celcius (C), press and hold the Time (🕒) button for 5 seconds. A beep will occur and the display will switch between the new temperature reading and the cook time.

#### B. **Setting the Cooking Temperature**

1. Press the **Temp button** (🌡️). The display will blink to indicate that temperature is ready to set.
2. Press and hold the **"UP"** or **"DOWN"** button to automatically increase or decrease the temperature setting and release the button when the desired cooking temperature setting is reached. NOTE: If the **"UP"** or **"DOWN"** buttons are not pushed within 5 seconds, the temperature will default back to the original setting of 100° F (38° C) and the Temp button must be pushed again to restart the temperature setting process.
3. Press the **Temp button** (🌡️) again to complete the temperature setting. The display will no longer blink.

**NOTE:** The heating process will not start until the cook time has been set. The cooking timer will begin counting down once the desired cooking temperature is set, and the "Heating" indicator light will turn off when the desired internal cooking temperature is reached.

- The display will continue to alternate every few seconds between remaining cook time and internal temperature reading.
- The smoker will beep 3 times when the cooking timer reaches "00:00".
- Time and temperature settings can be adjusted any time during the cooking process.

**IMPORTANT:** Always cook with both the water bowl and wood chip box in place, regardless of whether or not they are filled.

#### C. **Meat Probe Button** (🍖)

Insert the meat probe into the meat. Press and hold the **Meat Probe button** (🍖) to display the temperature of the meat. The display will revert back to the internal temperature of the smoker after the **Meat Probe button** (🍖) is released.

Refer to Page 20 for suggested smoking and meat temperatures.

## OPERATING INSTRUCTIONS

---

**NOTE:** If appliance is powered on and left unattended for 19 hours, the appliance will automatically turn off.

The control panel temperature reading may fluctuate plus or minus 10-15° F (5-8° C) as the appliance cycles to maintain correct cooking temperature setting.

### Seasoning the Smoker (Before Initial Use)

To season your smoker, follow these steps WITHOUT the use of food:

1. Place desired flavoring woods in wood chip box and fill to 3/4 full. DO NOT put water in water bowl.
2. With the smoker door closed, turn the smoker on by pressing the **Power button** (⏻) .
3. Press the **Temperature button** (📏) and use the "**UP**" or "**DOWN**" to set the cook temperature to 275° F (135° C).
4. Press the **Timer button** (🕒) and use the "**UP**" or "**DOWN**" buttons to set the time to 2 hours (02:00)
5. Once seasoning is complete, the smoker's interior will have a durable, seasoned coating.
6. Let the smoker completely cool and clean out the wood chip box.

## ⚠ CAUTION ⚠

The smoker becomes HOT during use. Use heat resistant gloves while accessing the inside of the smoker.

### Using the Wood Chip Box:

The wood chip box is designed to provide a sustainable amount of smoke and flavor during the cooking process. Fill the box at least 1/2 to 3/4 full with desired wood chips or wood pellets. Anything more or less than this amount may not create the appropriate amount of smoke for adding flavor. Refer to Page 21 for the types of wood chips that are recommended for various foods. To add more wood chips or pellets during the cooking process, simply open the side access door and place a small handful of chips or pellets on the loader. Closing the door will allow the chips or pellets to fall into the wood chip box. Do not use wood chunks or charcoal. NOTE: The use of wood chips or wood pellets is not required during the cooking process.

**NOTE:** Always operate the smoker with the wood chip box in place – regardless of whether or not wood chips are used.

### Using the Water Bowl:

The water bowl diffuses direct heat between the food and the burner element. The use of water in the bowl is not required, but the water bowl MUST be in place during operation. To use the bowl, fill to at least 3/4 full with warm water before turning on the smoker. Cold water may prolong the cooking process. Do not overfill the water bowl. Doing so may cause the water to splash inside the smoker.

### ⚠ CAUTION ⚠

- Do not use sharp or pointed tools to clean smoker.
- Do not use abrasive oven cleaners, steel wool or metal brushes to clean porcelain grates or smoker body. They will damage the finish.
- Replace damaged part(s) only with Dyna-Glo certified replacement parts. Do not attempt to repair damaged parts.

- In order to maintain optimal performance, cleaning the smoker after each use is highly recommended.
- Wait until the smoker has completely cooled before cleaning.
- Plastic or bristle brushes may be used for cleaning stubborn stains.
- **DO NOT** use steel wool or wire brushes. Pieces can break off and touch electrical parts, creating a risk of electric shock.
- Clean the controller casing and heating element by wiping with a damp cloth. Use a mild detergent.
- Completely dry the controller casing and heating element before use. Failure to do so, may cause damage to the controller and prevent the smoker from working properly.
- Clean the cooking grates with warm soapy water or with a water & baking soda solution. Non-abrasive scouring powder can be used for stubborn stains.
- Clean the grease tray and water bowl with a damp cloth and warm soapy water. Allow the liquids inside the water bowl and grease tray to cool completely before cleaning.
- Avoid cleaning the cooking surfaces while the smoker is still hot.
- Follow all warnings and safety precautions before removing meat from smoker or preparing the unit for storage. Please see Page 3 for important warnings and safeguards.

## TIPS ON SMOKING

Pairing wood chips with a specific type of food will depend on the preferences of the user. This page can be used as a general guideline for acquiring the ideal flavor.

- Hardwoods such as hickory, pecan, apple, cherry or mesquite typically burn slower and produce more smoke over longer periods of time.
- To prolong the burn cycle for wood chips, pre-soak them in a separate bowl of water for at least 30 minutes and/or wrap the chips in perforated aluminum foil.
- Most smoke flavoring occurs within the first hour of cooking. **Adding wood chips after the first hour is typically not necessary unless extra smoke flavoring is desired.**

Here's a list of the most popular smoking woods and a little information about each.

Type of Wood	Suggested Food	Comments
Apple	All meats	Mild and sweet flavor with a slight hint of fruity flavor. Each species of apple wood should offer a slightly different flavor. Apple smoke produces an attractive browning effect.
Almond	All meats	Produces a sweeter smoke with a natural nutty flavor.
Ash	Fish and red meat	Very light flavor.
Citrus	Pork and chicken	Lemon and orange wood produce a light but fruity flavor.
Cherry	Pork and Beef	Light and fruity flavor.
Fruitwood	Pork, poultry and fish	Woods such as peach, pear and plum produce a mild but sweet smoke with a hint of fruity flavor.
Grapevine	Poultry, game and lamb	Grapevine wood produces a lot of smoke. A little wood goes a long way. It produces a tart flavor that has a hint of fruit.
Hickory	Pork and beef	Hickory is arguably the favorite wood for smoking. Hickory produces a very strong flavor so we recommend starting slow with this wood.
Maple	Pork and Poultry	Light and sweet.
Mesquite	Beef, chicken and fish	This wood burns very hot so be aware. Much like hickory, mesquite produces a strong flavor.
Oak	Red meats, game, ribs and fish	Another wood that produces a heavy smoke. Start slow with this wood.
Pecan	Ribs and red meat	Produces a light smoke that offers a sweet and nutty flavor.

## SUGGESTED SMOKING AND MEAT TEMPERATURES

	Suggested Smoking Temperatures	Safe Minimum Food Temperatures
<b>Meat, Poultry, Fish</b>		
<b>Beef, veal and lamb (pieces and whole cuts)</b>		
Medium-rare	225° F (107.2° C)	145° F (63° C)
Medium	225° F (107.2° C)	160° F (71° C)
Well done	225° F (107.2° C)	170° F (77° C)
<b>Pork (ham, pork loin, ribs)</b>		
Pork (pieces and whole cuts)	225 - 240° F (107.2 - 115.6° C)	160° F (71° C)
<b>Ground meat and meat mixtures (burgers, sausages, meatballs, meatloaf, casseroles and mechanically tenderized beef)</b>		
Beef, veal (including mechanically tenderized), lamb and pork	250 - 275° F (121 - 135° C)	160° F (71° C)
Poultry (chicken & turkey)	250 - 275° F (121 - 135° C)	165° F (74° C)
<b>Poultry (chicken, turkey, duck)</b>		
Pieces	250° F (121° C)	165° F (74° C)
Whole	250° F (74° C)	165° F (74° C)
<b>Seafood</b>		
Fish	225 - 240° F (107.2 - 115.6° C)	158° F (70° C)
Shellfish (shrimp, lobster, crab, scallops, clams, mussels and oysters)	225 - 240° F (107.2 - 115.6° C)	165° F (74° C)
<p>Since it is difficult to use a food thermometer to check the temperature of shellfish, discard any that do not open when cooked.</p>		

	Suggested Smoking Temperatures	Safe Minimum Food Temperatures
<b>Game</b>		
<b>Chops, steaks and roasts (deer, elk, moose, caribou/reindeer, antelope and pronghorn)</b>		
Well done	225° F (107.2° C)	170° F (77° C)
<b>Large Game</b>		
Bear, bison, musk ox walrus, etc.	250 - 300° F (121 - 149° C)	165° F (74° C)
<b>Small game</b>		
Rabbit, muskrat, beaver, etc.	225 - 240° F (107.2 - 115.6° C)	165° F (74° C)
<b>Ground Meat</b>		
Ground meat and meat mixtures	250 - 300° F (121 - 149° C)	165° F (74° C)
Ground venison and sausage	250 - 300° F (121 - 149° C)	165° F (74° C)
<b>Game birds/waterfowl (wild turkey, duck, goose, partridge and pheasant)</b>		
Whole	250° F (121° C)	165° F (74° C)
Breasts and roasts	250° F (121° C)	165° F (74° C)
Thighs, wings	250° F (121° C)	165° F (74° C)
Stuffing (cooked alone or in a bird)	250° F (121° C)	165° F (74° C)

## CARE AND MAINTENANCE

---

### AFTER USE SAFETY AND MAINTENANCE

#### **⚠ WARNING ⚠**

- Use caution when lifting and moving the smoker to avoid strain injuries. Two people are recommended to lift or move the smoker.
- **DO NOT** store the smoker near gasoline or other combustible liquids or where combustible vapors may be present. Keep the area around the smoker clear and free of combustible materials and vapors.
- **DO NOT** store this smoker in an area accessible to children or pets. Store the smoker in a dry, protected location.
- **DO NOT** allow anyone to conduct activities around the smoker following use until it has cooled. It is hot during operation and remains hot for a period of time following use.
- **DO NOT** leave hot ashes unattended until the smoker cools completely.
- The smoker becomes extremely hot. Allow the smoker to cool completely before handling. Allow the smoker to cool before removing and cleaning the grease pan.
- Dispose of cold ashes by wrapping them in heavy-duty aluminum foil and putting them in a noncombustible container. If you must dispose of the ashes in less time than it takes for them to completely cool, remove the wood chip box from the smoker with heat resistant gloves, place the ashes in heavy-duty foil and soak them completely with water before disposing of them in a noncombustible container. Always use protective oven mitts or heat resistant gloves when accessing the inside of the smoker during and after use.

#### **⚠ CAUTION ⚠**

All care and maintenance procedures are to be performed while the smoker is turned off and cooled. Maintenance should always be performed by a qualified service person.

To clean the inside and outside of the smoker cabinet, simply use a damp cloth. Spray-washing with a water hose is not recommended. Moisture should be wiped away and not allowed to stand inside or on top of the smoker. Once cleaned, you may prefer to lightly coat the interior of the smoker cabinet with cooking oil or cooking spray.

If rust is present on the exterior surface of the smoker, clean the area with steel wool or emery cloth and use heavy-duty, heat-resistant paint.

NEVER apply additional paint to the interior of the smoker.

## TROUBLESHOOTING

If you have any questions regarding the product, please call customer service at 1-877-447-4768, 8:30 a.m. – 4:30 p.m., CST, Monday – Friday.

PROBLEM	POSSIBLE CAUSE	CORRECTIVE ACTION
<b>No heat from smoker.</b>	<ul style="list-style-type: none"> <li>• Smoker is turned off.</li> <li>• No power.</li> <li>• Faulty controller or heating element.</li> </ul>	<ul style="list-style-type: none"> <li>• Turn on the smoker.</li> <li>• Check for any tripped circuit breakers and reset the breaker, if needed.</li> <li>• Check for faulty or tripped GFI (Ground Fault Interrupter) at the outlet. Reset the GFI or replace, if needed.</li> <li>• If breaker or GFI continues to trip, use a different outlet on a separate breaker circuit.</li> <li>• Try another working appliance in the outlet.</li> <li>• Replace controller or heating element.</li> </ul>
<b>Circuit breaker trips or fuse blows.</b>	<ul style="list-style-type: none"> <li>• Another appliance is plugged into the same circuit as the smoker (too many appliances using the same circuit).</li> <li>• Moisture or water in the controller, cord connection or outlet connection.</li> <li>• Damaged or frayed cord.</li> <li>• Damaged electrical connection.</li> </ul>	<ul style="list-style-type: none"> <li>• Find another outlet on a separate circuit.</li> <li>• Keep all connections dry and free from moisture. DO NOT use this appliance in the rain or when snow is falling.</li> <li>• Turn the smoker off, unplug the smoker and check the cord for damage. Replace, if needed.</li> <li>• Replace controller.</li> </ul>
<b>Smoker does not generate enough heat.</b>	<ul style="list-style-type: none"> <li>• Smoker was not pre-heated sufficiently or temperature was set too low.</li> <li>• Door left open or unlatched.</li> <li>• Improper extension cord.</li> </ul>	<ul style="list-style-type: none"> <li>• Pre-heat for 15-20 minutes. Increase temperature settings via controller.</li> <li>• Close the door and latch the door before use.</li> <li>• Use cord rated for outdoor use at 15 amps.</li> </ul>
<b>Very little or no smoke coming from smoker.</b>	<ul style="list-style-type: none"> <li>• Not enough wood chips.</li> <li>• Wood chips are too small.</li> </ul>	<ul style="list-style-type: none"> <li>• Check wood chip level. Wood chip box should be at least 3/4 full.</li> <li>• To generate proper amounts of smoke, wood chips should be at least 1 in. - 3 in. (2.5 cm - 7.6 cm) and no thicker than 1/4 in. (0.6 cm). Wood shavings and wood chunks are not recommended. DO NOT use charcoal.</li> </ul>

## TROUBLESHOOTING

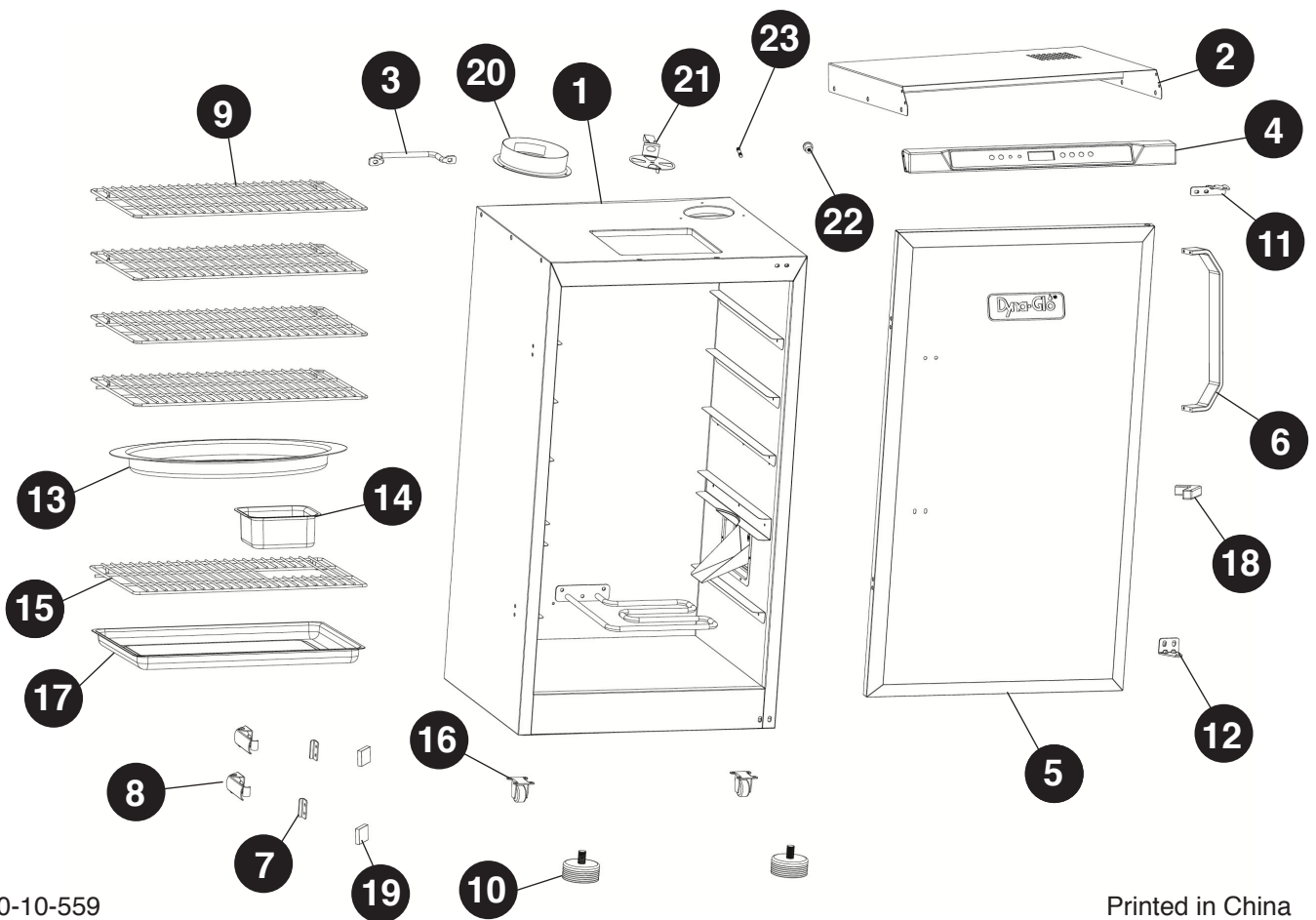
PROBLEM	POSSIBLE CAUSE	CORRECTIVE ACTION
<b>Flare-ups.</b>	<ul style="list-style-type: none"> <li>• Meat contains excessive amounts of fat.</li> <li>• Cooking temperature is too high.</li> <li>• Grease build-up.</li> </ul>	<ul style="list-style-type: none"> <li>• Trim the appropriate amount of fat before cooking.</li> <li>• Lower the temperature as needed.</li> <li>• Clean the smoker, according to the instructions.</li> </ul>
<b>Persistent grease fire.</b>	<ul style="list-style-type: none"> <li>• Too much build-up on grease drip tray and/or grease cup.</li> </ul>	<ul style="list-style-type: none"> <li>• Turn off the smoker and open the door to allow the fire to burn out.  <b>DO NOT use water to extinguish the fire. Personal injury my result.</b>            Allow the smoker to completely cool before cleaning the tray and cup.</li> </ul>
<b>Control Panel Error Code.</b>	<ul style="list-style-type: none"> <li>• Meat probe not plugged in.</li> <li>• Damaged or frayed cord wires.</li> <li>• Power Surge.</li> </ul>	<ul style="list-style-type: none"> <li>• Plug in the meat probe.</li> <li>• Replace meat probe.</li> <li>• Switch the unit off and unplug from outlet.</li> <li>• After 10 seconds, plug the unit back into outlet and turn on the smoker.</li> </ul>

# REPLACEMENT PARTS LIST

For replacement parts, call our customer service department at 1-877-447-4768, 8:30 a.m. - 4:30 p.m. CST, Monday - Friday or e-mail us at customerservice@ghpgroupinc.com.

PART	DESCRIPTION	PART #
1	Smoker Cabinet Assembly	70 - 01 - 364
2	Top Panel for Cabinet Assembly	70 - 01 - 343
3	Rear Handle	70 - 01 - 341
4	Control Panel (Housing & PCB Board)	70 - 01 - 342
5	Door Assembly	70 - 01 - 365
6	Handle for Door Assembly	70 - 01 - 344
7	Door Latch Bracket	70 - 01 - 352
8	Door Latch Handle (without Silicon Sleeve)	70 - 01 - 353
9	Cooking Grates	70 - 01 - 351
10	Front Cabinet Leg L/R	70 - 01 - 355
11	Top Door Hinge	70 - 01 - 339
12	Bottom Door Hinge	70 - 01 - 366

PART	DESCRIPTION	PART #
13	Water Bowl	70 - 01 - 367
14	Wood Chip Box	70 - 01 - 346
15	Wood Chip Box Support	70 - 01 - 368
16	Rear Casters	70 - 01 - 354
17	Grease Tray	70 - 01 - 369
18	Wood Chip Access Door Handle	70 - 01 - 383
19	Silicone Sleeve for Latch Handle	70 - 01 - 356
20	Top Damper Housing	70 - 01 - 357
21	Top Damper Plate	70 - 01 - 358
22	Resin Handle for Top Tamper	70 - 01 - 359
23	Top Damper Plate Attachment Bolt	70 - 09 - 123
n/a	Instruction Manual	70 - 10 - 559



## WARRANTY

---

This Vertical Electric Digital Smoker is warranted against broken or damaged parts at the time of purchase. The burner element is warranted for 3 years. All other parts carry a one (1) year limited warranty except the water bowl and wood chip box, which is warranted to be free of defects for 90 days. Paint is warranted to be free of defects for 90 days except for rust, which may appear after repeated use.

This warranty does not cover damage or issues related to neglect, abuse or modifications to the appliance. Repair labor is not covered.

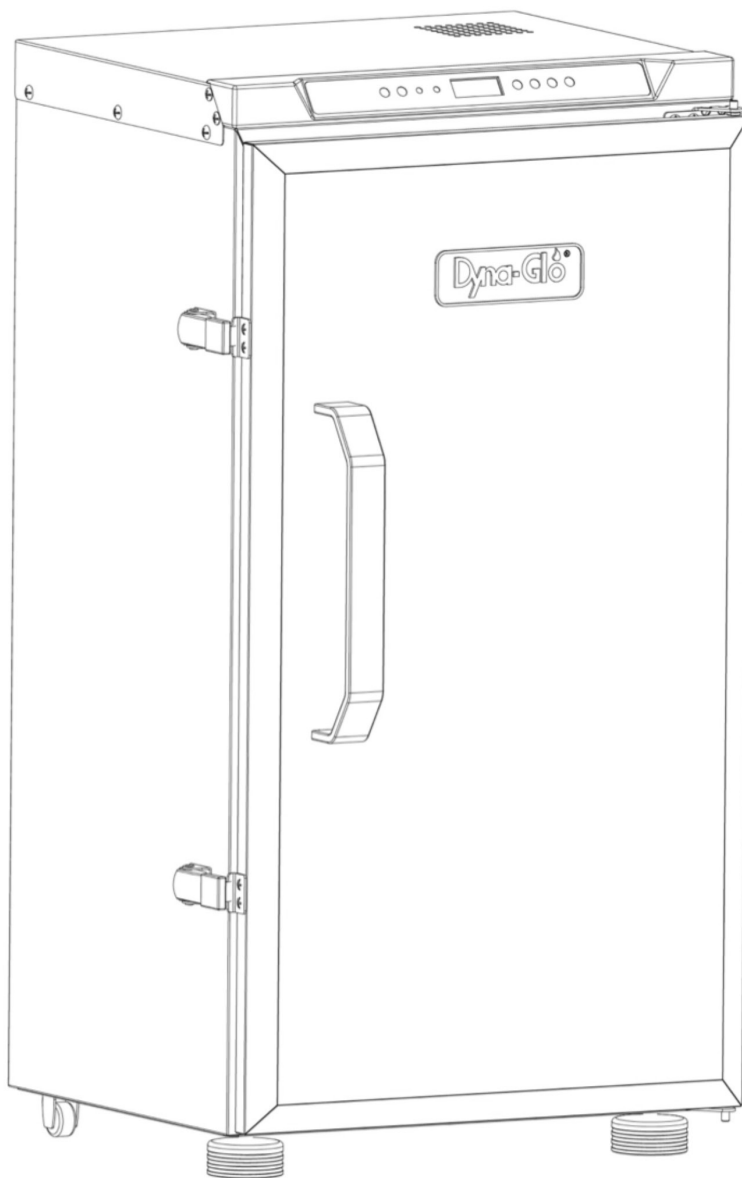
All parts that meet the warranty requirements will be shipped at no charge via the discretion of GHP Group Inc. (ground shipments, US Mail or Parcel Post ONLY). Any special handling charges (i.e. Second Day, Overnight, etc.) will be the responsibility of the consumer.

All warranty claims apply only to the original purchaser and require a proof of purchase verifying purchase date. Do not return parts to GHP address without first obtaining a return authorization number from our customer service. This service is available by calling toll free 1-877-447-4768, 8:30 a.m. – 4:30 p.m. CST, Monday – Friday.

Some states do not allow the exclusion or limitation of incidental or consequential damages or limitations on how long an implied warranty lasts, so the above limitations or exclusions may not apply to you. This warranty gives you specific legal rights, and you may have other rights that vary from state to state.

GHP Group Inc.  
6440 W. Howard Street  
Niles, IL, USA  
60714-3302

Item name: Vertical Electric Digital Smoker  
Model #: DGU732BDE / DGU732BDE-D  
Rated Power: 1000W/Hr



C US

UL 1026 - sixième édition,  
2012 Appareils ménagers  
pour cuisson et appareils de  
service alimentaire

CSA C22.2 No. 64-10  
(Réaffirmé 2014) Appareils  
ménagers pour cuisson et  
appareils à cuisson liquide

**POUR USAGE  
EXTÉRIEUR SEULEMENT**  
Utiliser seulement avec un  
interrupteur GFI - Classe A  
CIDT (Circuit Interrupteur  
de terre)

**JOIGNEZ VOTRE REÇU ICI**

Numéro de série \_\_\_\_\_ Date d'achat \_\_\_\_\_



**Des questions, des problèmes, des pièces manquantes?** Avant de retourner l'article au détaillant, appelez notre service à la clientèle au 1-877-447-4768, 08:30-16 heures 30, HNC, du lundi - vendredi ou par e-mail à [customerservice@ghpgroupinc.com](mailto:customerservice@ghpgroupinc.com).



**NUL BESOIN DE REVENIR AU MAGASIN**

Questions sur l'assemblage?

Besoin d'information sur des pièces?

Le produit est couvert par la garantie des fabricants?

Composez le numéro sans frais : 1 877 447-4768

du lundi au vendredi de 8 h 30 h à 16 h 30, HNC

**Conservez ce Manuel du propriétaire et votre preuve d'achat en cas de besoin**

**Pour nous permettre de vous aider**

Fournissez les renseignements ci-après :

Date d'achat

Lieu d'achat

Numéro de modèle

N° de série du produit

LE NUMÉRO DE MODÈLE ET LE NUMÉRO DE SÉRIE DU PRODUIT FIGURENT SUR  
L'ÉTIQUETTE INDIQUANT LE DÉBIT CALORIFIQUE DE VOTRE PRODUIT.

## TABLE DES MATIÈRES

---

Consignes de sécurité .....	28
Contenu de l'emballage .....	33
Quincaillerie incluse .....	34
Préparation avant l'assemblage.....	34
Instructions pour l'assemblage .....	35
Mode d'emploi .....	38
Conseils sur le tabagisme .....	44
Entretien .....	46
Dépannage .....	47
Liste des pièces de rechange .....	49
Garantie .....	51

Assembleur / installateur: Ce manuel d'instructions contient des informations importantes nécessaires à l'assemblage correct et l'utilisation sécuritaire de cet appareil. Lisez et suivez tous les avertissements et les instructions avant d'assembler et d'utiliser cet appareil. **Laissez ces instructions au consommateur.**

**Consommateur / utilisateur: Suivez tous les avertissements et les instructions pour l'utilisation de cet appareil.**

## CONSERVER CES INSTRUCTIONS

### **CONSIGNES DE SÉCURITÉ**

---

Assurez-vous de lire et de comprendre l'intégralité de ce manuel avant de tenter d'assembler, d'utiliser ou d'installer le produit. Si vous avez des questions concernant ce produit, veuillez téléphoner au service à la clientèle au 1-877-447-4768, 08:30-16 heures 30, HNC, du lundi - vendredi.

### **AVERTISSEMENT**

- Lors de l'utilisation d'appareils électrique, des précautions de base devraient toujours être observées afin de réduire des risques de feu, choc électrique et blessures.

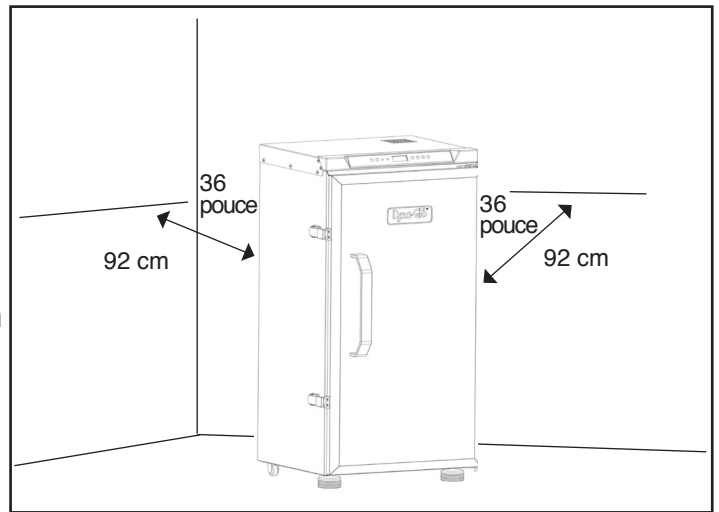
### **DANGER**

- Le refus suivre ces instructions pourrait causer un feu ou risqué de bruleur qui pourrait causer l'endommagement de propriété, blessures personnes ou danger de mort.

## PRÉCAUTIONS IMPORTANTES

LIRE TOUTES LES INSTRUCTIONS AVANT D'UTILISER CE FUMOIR

- **NE PAS** utiliser ce produit pour autre chose que sa raison principale. Il n'est PAS destiné à l'usage commercial. Il n'est PAS destiné à être installé ou utilisé sur ou dans un véhicule récréatif ou/et bateau.
- **NE PAS** opérer ce fumoir avec un fil électrique endommagé ou une fiche ou réceptacle ou si le fumoir tombe en panne, a été échappé ou a été endommagé de quelque façon.
- **NE PAS** utiliser le fumoir à moins de 10 pieds (3 m) d'une piscine, flaque d'eau, étang ou tout autre cours d'eau.
- Garder le fumoir et le bouton de contrôle électrique secs et hors de portée de la pluie
- Un espace minimum sécuritaire de 36 pouces, (92 cm) de matériel combustible est requis à l'avant, les côtés et derrière. Il est très important de toujours maintenir un espace sécuritaire pour tout combustible.
- Lors de l'utilisation de bois de saveur, ajouter suffisamment de bois au début du processus de cuisson pour éviter d'en ajouter plus pendant la cuisson. D'ajouter du bois lors de l'opération du fumoir pourrait éclabousser de l'eau bouillante et causer des blessures graves.
- Vérifier le niveau d'eau minimum à toutes les 2 heures. Un grésillement de son peut indiquer un niveau d'eau trop bas. Un son de crépitement indique un niveau d'eau trop bas. Suivre les instructions dans ce manuel pour ajouter l'eau lors de l'opération (voir page 38).
- **NE PAS** utiliser l'appareil lors d'orages électriques
- Brancher seulement dans des prises avec un fil de terre
- Utiliser seulement avec un interrupteur GFI - Classe A - CIDT (Circuit Interrupteur de terre)
- S'assurer que le fil électrique est placé dans un endroit où il ne peut être débranché accidentellement.
- Pour déconnecter le fumoir, fermer et tenir le bouton Power (⏻) et sortir la fiche de la prise.
- **NE PAS** obstruer l'entrée d'air pour l'appareil
- **NE PAS** utiliser de papier aluminium sur les grilles de cuisson. Cela pourrait endommager le fumoir.
- **NE PAS** utiliser cet appareil comme chauffe-électrique.
- **NE PAS** utiliser de briquettes de charbon dans cet appareil. Cet appareil n'est pas conçu pour l'utilisation de briquettes et un feu pourrait faire éruption si utilisé pendant l'opération. Le feu créera des conditions non-sécuritaires et endommagera le fumoir.
- Être prudent lors de l'ouverture de la porte du fumoir lors de l'opération. Garder vos mains, visage et corps à bonne distance de la vapeur ou de flambées. **NE PAS** respirer la fumée.
- Si vous devez jeter les cendres avant leur refroidissement, utiliser des mitaines ou gants de four isolés et imbiber les cendres complètement avec de l'eau avant de les jeter dans un contenant non combustible.
- **NE PAS** porter de vêtements amples lors de l'utilisation du fumoir. Attacher les cheveux longs lors de l'opération du fumoir.
- TOUJOURS porter des souliers fermés lors de l'opération du fumoir.
- **NE PAS** toucher des surfaces chaudes. Utiliser les poignées et boutons.
- Afin d'éviter des chocs électriques, ne pas immerger les fils, fiches ou le boîtier de contrôle du thermostat dans de l'eau ou autre liquide.



## CONSIGNES DE SÉCURITÉ

- Une supervision assidue est requise lorsque l'appareil est utilisé près ou par des enfants.
- Débrancher de la prise lorsque l'appareil n'est pas utilisé ou avant de nettoyer. Attendre que l'appareil soit complètement refroidi avant de remettre ou détacher des pièces.
- **NE PAS** opérer d'appareil si le fil électrique est endommagé ou si l'appareil est en panne ou a été endommagé de quelque façon.
- L'usage de pièces accessoires n'est pas recommandé par le fabricant et pourrait causer des blessures.
- **NE PAS** utiliser à l'intérieur.
- **NE PAS** laisser le fil électrique pendre du bord d'une table ou comptoir ou toucher les surfaces chaudes.
- **NE PAS** placer près ou sur un élément à gaz ou brûleur électrique ou dans un four chauffé.
- Une attention particulière est recommandée lors du déménagement d'un appareil contenant de l'huile chaude ou autre liquide chaud.
- Toujours attacher le fil électrique à l'appareil en premier avant de brancher le fil dans la prise de courant. Pour déconnecter, tourner tout bouton à la position « OFF », ensuite enlever la fiche de la prise.
- **NE PAS** utiliser l'appareil pour autre usage.
- Utiliser de la prudence extrême lorsque vous enlever les grilles ou disposer de la graisse chaude.
- **NE PAS** nettoyer avec des tampons à récurer métalliques. Des petites particules peuvent se détacher du tampon et toucher des pièces électriques, créant un risque de choc électrique.
- Du carburant, tel que briquettes de charbon, sont interdites d'usage avec cet appareil.
- Utiliser seulement avec une prise de courant avec un fil de terre.
- S'assurer que les poignées sont assemblées et bien installées. Voir les instructions à ce sujet aux pages 34-35.
- **SAUVEGARDER CES INSTRUCTIONS.**

## **AVERTISSEMENT**

- **NE PAS** utiliser des rallonges électriques de gauge 16 ou 18. Ceci pourrait causer des dommages à l'installation électrique et/ou causer un feu.

### **L'UTILISATION D'UNE RALLONGE N'EST PAS RECOMMANDÉE.**

LIRE TOUTES LES INSTRUCTIONS, AVANT D'UTILISER UNE RALLONGE AVEC CE FUMOIR.

- Utiliser une fiche sécurisée avec fil de terre à usage EXTÉRIEUR, à taux de 15 ampères ou plus, approuvée par UL, marquée avec un W-A et une étiquette indiquant "Approprié pour usage d'appareils extérieurs."
- Utiliser une rallonge exacte autant que possible. Ne pas connecter plus de 2 rallonges ensemble.
- **NE PAS** laisser le fil électrique pendre du bord de la table ou autres items où il pourrait être tiré par des enfants ou causer une chute accidentelle.

## CONSIGNES DE SÉCURITÉ

### Circuit Interrupteur de terre

- Depuis 1971, le code électrique national (CÈN) requiert des circuits interrupteurs de terre sur tout circuit extérieur.
- Si votre résidence a été bâtie avant 1971, vérifiez avec un électricien qualifié afin de déterminer si un circuit interrupteur de terre existe.
- Ne pas utiliser cet appareil si le circuit n'a pas la protection **Classe A - CIDT (Circuit Interrupteur de terre)**
- Ne pas brancher cet appareil dans un circuit intérieur.

## SÉCURITÉ GÉNÉRALE

LIRE TOUTES LES INSTRUCTIONS, AVANT D'UTILISER CE FUMOIR

- Cet appareil est pour usage extérieur seulement et strictement dans un endroit bien ventilé. **NE PAS** opérer sous un toit, dans un bâtiment, garage ou tout autre lieu fermé ou sous une construction plafonnée.
- Avant chaque usage, vérifier qu'aucune feuille sèche ou débris sont sous l'appareil.
- Garder un extincteur d'incendie à portée de main en tout temps.
- Toujours débrancher le fumeur lorsqu'il n'est pas en usage.
- Permettre au fumeur et ses compartiments de refroidir complètement avant de nettoyer ou entretien régulier.
- **NE PAS** utiliser d'eau ou vaporisateur liquide pour nettoyer le fumeur sans avoir, au préalable, débrancher l'unité.
- Permettre au fumeur de se refroidir à 115° F (45° C) avant de déménager ou entreposer. Faire attention lorsque vous lever et déménager l'appareil afin d'éviter un froissement dorsal ou une blessure au dos.
- **NE PAS** déménager l'appareil lorsqu'il est en usage.
- Lorsqu'il n'est pas en usage, le fumeur devrait être protégé des éléments de la nature. Permettre au fumeur de complètement se refroidir avant de remettre le couvercle. Entreposer cet appareil dans un endroit sec et bien protéger autant que possible.
- Il est recommandé par le fabricant que des pièces d'ajouts ne soient pas utilisées avec cet appareil. Ceci pourrait entraîner des blessures ou dommages de propriété.

## **! AVERTISSEMENT !**

Afin d'éviter des blessures graves:

- Lors de la cuisson, le fumoir doit être sur une surface égale et stable, ininflammable dans un endroit loin de matériaux combustibles, incluant de l'herbe sèche ou longue.
- L'usage d'alcool, médicaments prescrits ou sans ordonnance peuvent altérer les décisions de l'utilisateur lors de l'assemblage et lors de l'opération de cet appareil.
- **NE PAS** déménager cet appareil lors d'usage.
- **NE PAS** entreposer ou utiliser cet appareil près de la gazoline ou autre liquide inflammable ou là où il pourrait s'y trouver des vapeurs combustibles.
- Le fumoir devrait seulement être utilisé dans des endroits bien aérés.
- **NE PAS** utiliser cet appareil comme chauffe-électrique.
- **NE PAS** laisser cet appareil sans supervision lors d'usage. Garder les enfants et animaux loin de l'appareil en tout temps.
- Cet appareil sera chaud pendant et après usage. Utiliser des mitaines à four ou gants pour vous protéger des surfaces chaudes ou éclaboussures de liquides de cuisson.

## **! AVERTISSEMENT !**

### **PROPOSITION DE LA CALIFORNIE 65**

**1. Les produits combustibles secondaires lors de l'usage de ce produit contiennent des chimiques connus de l'état de la Californie pouvant causer le cancer, des défauts de naissance ou autre dommage reproductif.**

**2. Ce produit contient des chimiques, incluant du plomb et des composants de plomb, connu de l'état de la Californie causant le cancer, des défauts de naissance et autres dommages reproductifs.**

***Lavez vos mains après usage de ce produit.***

## **! DANGER !**

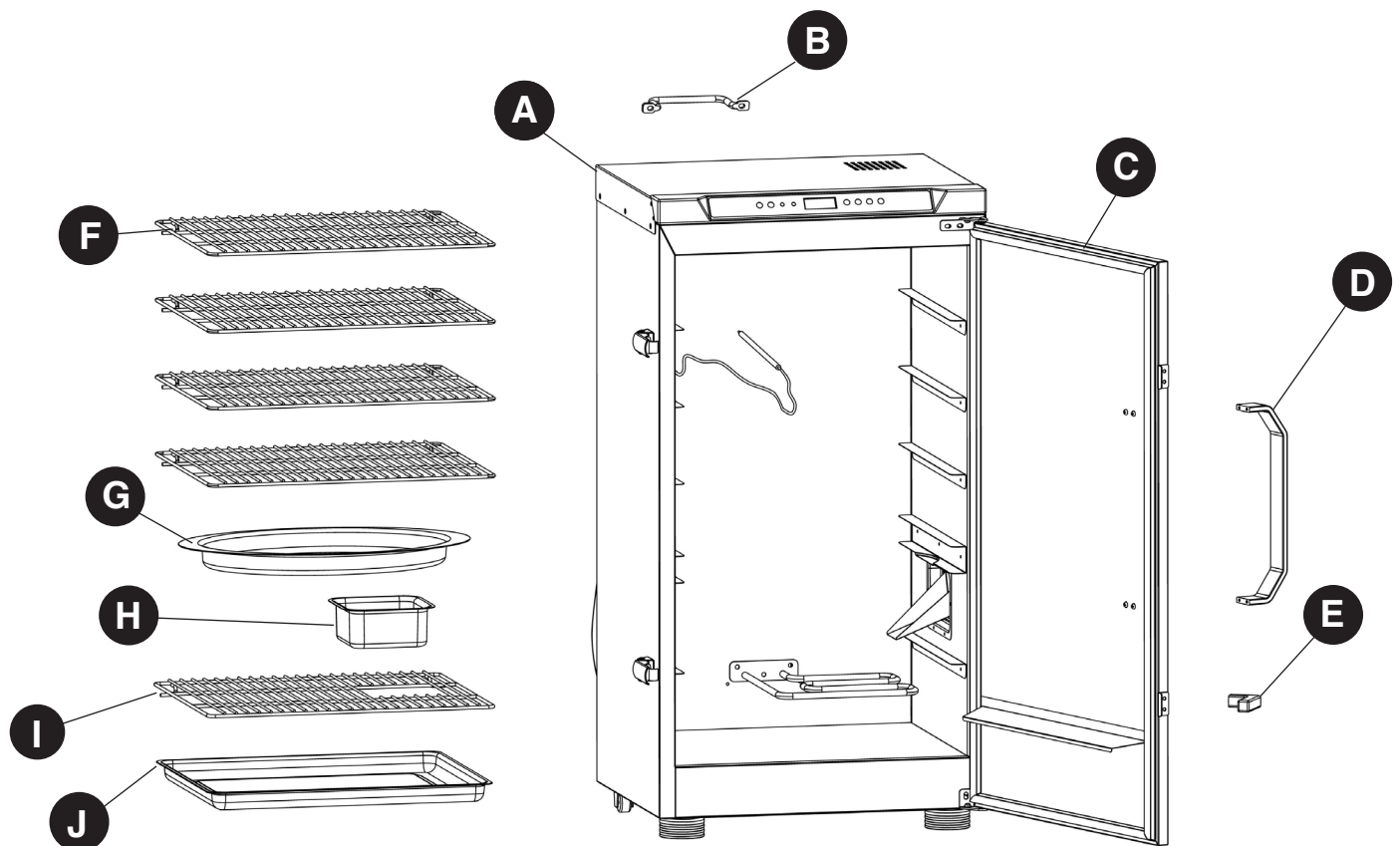
**En cas de feu, débrancher le fumoir de la prise de courant et permettez au feu de se brûler. N'utiliser pas d'eau pour éteindre le feu dans ce ou tout autre appareil électrique.**

**Afin d'éviter un choc électrique, débrancher la fiche de la prise avant de nettoyer le fumoir. Ne jamais immerger le boîtier du contrôle électrique ou l'élément de chaleur dans un liquide.**

**Afin d'éviter la possibilité de brûlures, s'assurer que le fumoir est complètement refroidi avant d'enlever et/ou nettoyer le boîtier du contrôle électrique et de l'élément de chaleur.**

**NE PAS utiliser de la laine d'acier ou brosse de fer pour nettoyer l'intérieur de l'appareil. Des pièces peuvent se casser ou tomber ou toucher des pièces électriques créant un risque de choc électrique.**

## CONTENU DE L'EMBALLAGE



PIECE	DESCRIPTION	QTE
A	Assemblage du cabinet du fumoir	1
B	Poignée de derrière	1
C	Assemblage de la porte	1
D	Poignée de porte	1
E	Poignée d'accès pour éclisses de bois	1
F	Grilles de cuisson	4
G	Bol d'eau	1
H	Boîte pour éclisses de bois	1
I	Support pour la boîte d'éclisses	1
J	Plateau à graisse	1

## QUINCAILLERIE INCLUSE (PRÉ ASSEMBLÉ)

---

AA



M5 x 12 mm  
Vis

Qte. 3

1 M5 x 12 mm visse (AA) est préassemblée dans la poignée de porte de l'accès aux éclisses de bois. (E).

2 M5 x 12mm vises (AA) sont assemblées dans l'assemblage du cabinet du fumoir (A).

BB



M4 x 35 mm  
Vis

Qte. 4

4 M4 x 35 mm visses (BB) sont préassemblées dans la poignée de porte (D).

## PRÉPARATION AVANT L'ASSEMBLAGE

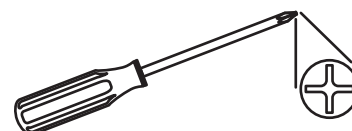
---

Avant de commencer l'assemblage du produit, assurez-vous d'avoir toutes les pièces. Comparez les pièces dans l'emballage avec la liste des pièces de la page précédente et la quincaillerie indiquée ci-dessus. S'il y a des pièces manquantes ou endommagées, ne tentez pas d'assembler le produit. Communiquez avec le service à la clientèle pour obtenir des pièces de rechange. Si vous avez des questions concernant ce produit, veuillez téléphoner au service à la clientèle au 1-877-447-4768, 08:30-16 heures 30, HNC, du lundi - vendredi.

**Temps d'assemblage approximatif** : 15 minutes

**Outils nécessaires pour l'assemblage et la vérification des fuites (non inclus) :**

Tournevis Phillips

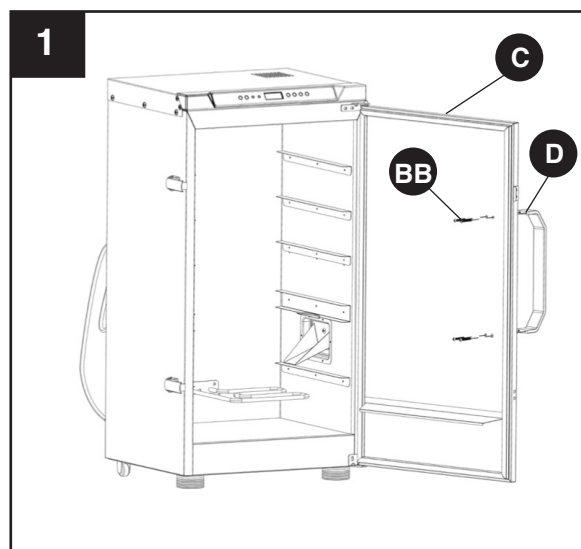


## INSTRUCTIONS POUR L'ASSEMBLAGE

1. Retirer les 4 visses M4 x 35 mm pré-assemblés (BB) de la poignée (D) et attacher la poignée de porte (D) sur l'assemblage de la porte (C) tel que démontré. Serrer les vises.

### Quincaillerie utilisée

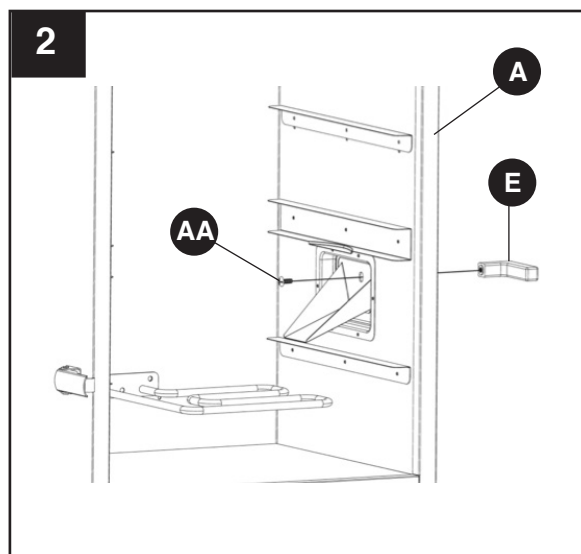
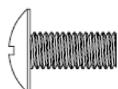
**BB** M4 x 35 mm  
Vis x 4



2. Retirer 1 visse préassemblée M5 x 12 mm (AA) de la poignée de la porte d'accès aux étagères (E). Insérer la visse dans l'assemblage du cabinet du fumoir (A) et enfiler dans les trous de la poignée de la porte (E). Serrer la visse.

### Quincaillerie utilisée

**AA** M5 x 12 mm  
Vis x 1

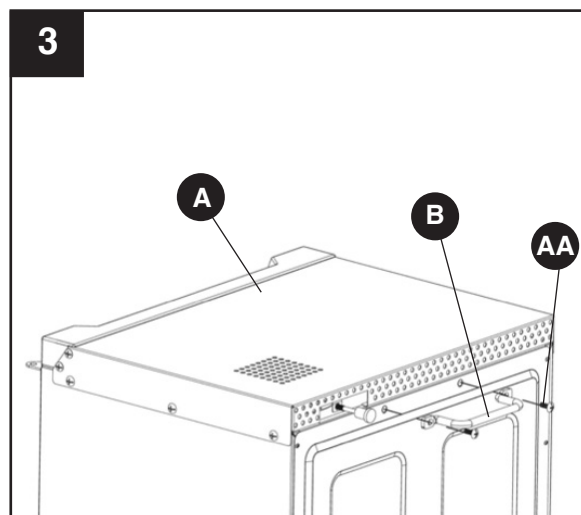
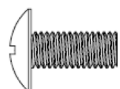


## INSTRUCTIONS POUR L'ASSEMBLAGE

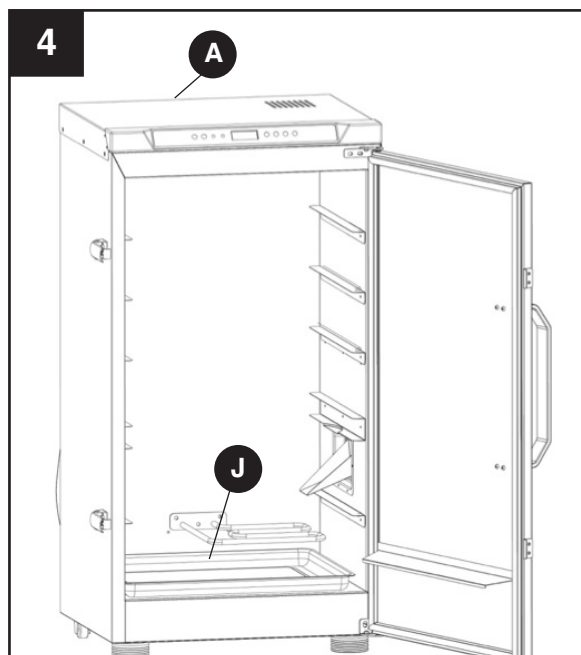
3. Retirer les 2 visses préassemblées M5 x 12 mm (AA) de l'assemblage du cabinet du fumoir (A). Insérer les 2 visses dans la poignée de derrière (B), et enfiler dans les trous de l'assemblage du cabinet du fumoir (A). Serrer les visses.

### Quincaillerie utilisée

**AA** M5 x 12 mm  
Vis x 2



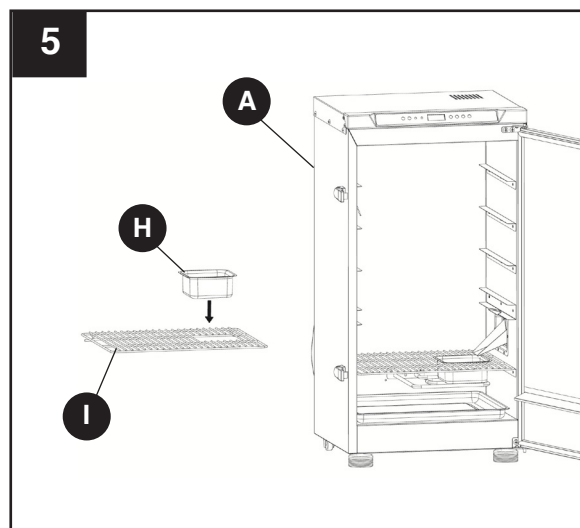
4. Placer le plateau de graisse (J) sur le bas de l'assemblage du cabinet du fumoir (A), tel qu'indiqué.



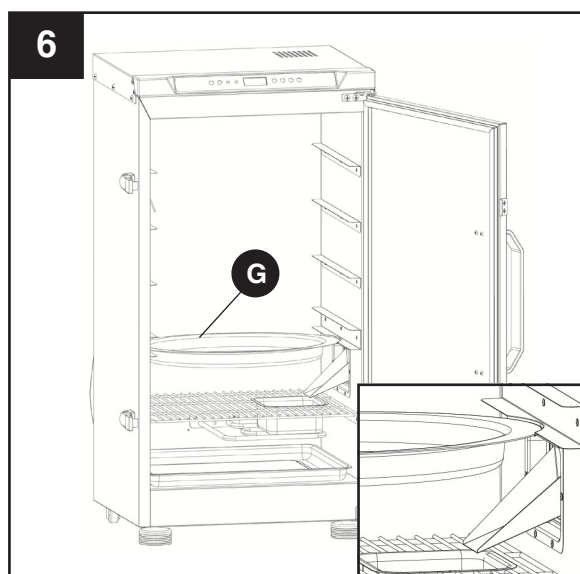
## INSTRUCTIONS POUR L'ASSEMBLAGE

5. Placer la boîte d'éclisses de bois (H) sur le support à cet effet (I). Insérer le support (I) à l'intérieur de l'assemblage du cabinet du fumoir (A).

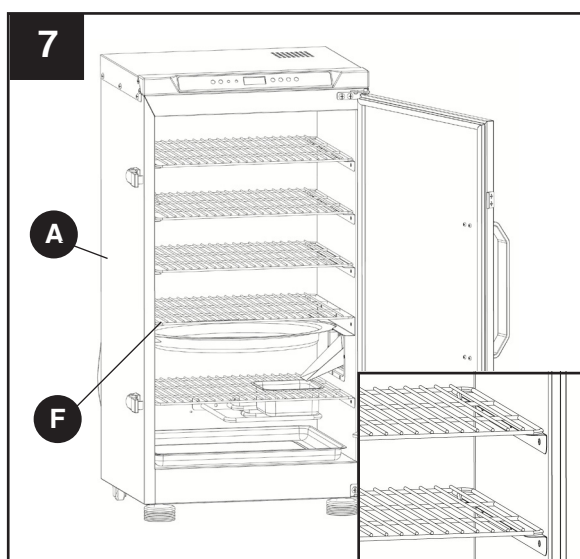
**Note:** La boîte d'éclisses doit être sur le côté droit du cabinet du fumoir (A), directement sous l'entrée pour les éclisses, tel qu'indiqué.



6. Glisser le bol à eau (G) sur les rails de support du cabinet, directement au-dessus de l'entrée aux éclisses, tel qu'indiqué.



7. Glisser la grille de cuisson (F) sur les rails de support du cabinet (A), tel qu'indiqué.



## MODE D'EMPLOI

### LIRE TOUTES LES INSTRUCTIONS AVANT D'UTILISER CE FUMOIR POUR LA PREMIÈRE FOIS

#### Avant la première utilisation:

Enlever tout emballage, étiquettes, sangles de plastiques et étiquettes de vente si présent. Ne pas utiliser des outils pointus ou coupants.

Laver les grilles de cuisson avec de l'eau savonnée et chaude, rincer et laisser sécher complètement avant de les remettre dans le fumoir.

Avant d'utiliser le fumoir, il est important "d'assaisonner" votre fumoir. L'assaisonnement permet d'éliminer les potentiels résidus laissés par la production de l'appareil chez le fabricant et rehausse le goût, la durabilité et la performance générale. Se référer à la page 41 pour les temps de cuisson et températures requises pour l'assaisonnement.

#### Avant chaque usage :

### LIRE TOUTES LES INSTRUCTIONS AVANT D'UTILISER LE FUMOIR

- Le fumoir doit être sur une surface égale, stable, non combustible dans un endroit loin de tout matériel inflammable, incluant de l'herbe longue ou sèche.
- Éviter de déménager le fumoir au-dessus de surfaces inégales ou bosselées. Vous pourriez endommager le fumoir.
- Afin d'empêcher que les disjoncteurs sautent, garder les contrôles du fumoir et les connexions des fils et fiches sèches et ne pas utiliser d'autres produits électriques sur le même circuit.
- S'assurer que le plateau à graisse, la boîte à éclisses de bois et le bol d'eau sont propres et vides et remis en place dans le fumoir d'après les instructions.
- Enduire légèrement chaque grille de cuisson d'huile végétale ou aérosol d'huile végétale pour empêcher que la nourriture colle aux grilles pendant la cuisson.
- **NE PAS** couvrir les grilles de cuisson avec du papier d'aluminium.

## ⚠ AVERTISSEMENT ⚠

**Ne pas suivre toutes les instructions du fabricant pourrait entraîner des blessures personnelles sérieuses et/ou dommages à votre propriété.**

**Soyez prudents lors de l'opération de votre fumoir.**

**Afin d'éviter des flammèches (coup de chaud) ou feux de graisse, nettoyer et vider le bol d'eau et le plateau de graisse avant d'utiliser.**

**Lire et suivre toutes les informations et sauvegardes de ce guide de l'utilisateur avant d'assembler ou opérer ce fumoir.**

## ⚠ CAUTION ⚠

- **Ne pas utiliser des outils coupants ou pointus pour nettoyer le fumoir.**
- **Ne pas utiliser des nettoyeurs abrasifs, de la laine d'acier ou brosses de métal (fer) pour nettoyer les grilles de porcelaine ou le corps du fumoir. Ceci endommagera le fini.**
- **Remplacer les pièces défectueuses seulement avec des pièces certifiées Dyna-Glo, Ne pas tenter de réparer les parties endommagées.**

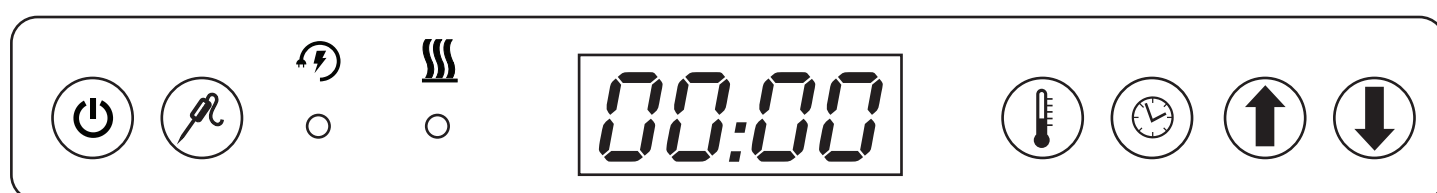
## MODE D'EMPLOI

---

### Lignes directrices de sécurité


- Se référer à la section "Dépannage" aux pages 47 et 48, pour des problèmes d'opération.
- **NE PAS** ouvrir la porte du fumoir lorsqu'il est en opération, sauf si nécessaire. Ouvrir la porte causera un échappement de chaleur et une prolongation de cuisson.
- **NE PAS UTILISER DES BRIQUETTES DE CHARBON.** Cet appareil n'est pas conçu pour usage avec des briquettes de charbon et le feu prendra si les briquettes sont utilisées pendant l'opération. Le feu créera des conditions instable et dangereuse et endommagera le fumoir.
- **Des éclisses de bois** doivent être utilisées pour créer la fumée et le fumet.
- Afin de maintenir une performance supérieure, le nettoyage après chaque usage est très recommandé. Attendez que le fumoir soit complètement refroidi avant de nettoyer. Se référer à la section 'Soin et entretien' à la page 46.

### Instructions d'opération du panneau de contrôle



 – Allume et ferme le fumoir.


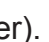

 – Change l'entrée pour ajuster la température de cuisson.

 – Change l'entrée pour ajuster le temps de cuisson. Change entre F et C lorsque tenu pendant 5 secondes.

 – Indique la température de la viande lorsque pressé

 – Indique que le fumoir est branché et prêt à être utilisé lorsque le voyant est allumé.

 – Indique que le brûleur est ON, lorsqu'allumé.

- Presser le **Bouton d'allumage** () une fois (un son 'beep' devrait sonner). Le voyant lumineux horloger changera à 00:00 et la température interne (F or C) vacillera pendant quelques seconds jusqu'à ce que le panneau de contrôle reçoive les directives du **Bouton de température** () et/ou le **Bouton d'horloge** ()

**NOTE:** Toujours laisser le bol d'eau en place lors de l'opération du fumoir. Si de l'eau d'extra est nécessaire au cours de la cuisson, ajouter de l'eau doucement au travers l'entrée pour le plateau d'excès. **NE PAS** enlever le bol d'eau pour ajouter de l'eau. Éviter d'éclabousser de l'eau sur les éléments de chaleur. Du dommage sérieux pourrait arriver à l'élément ainsi que des coup de chaleur et des pannes électriques.

## MODE D'EMPLOI

---

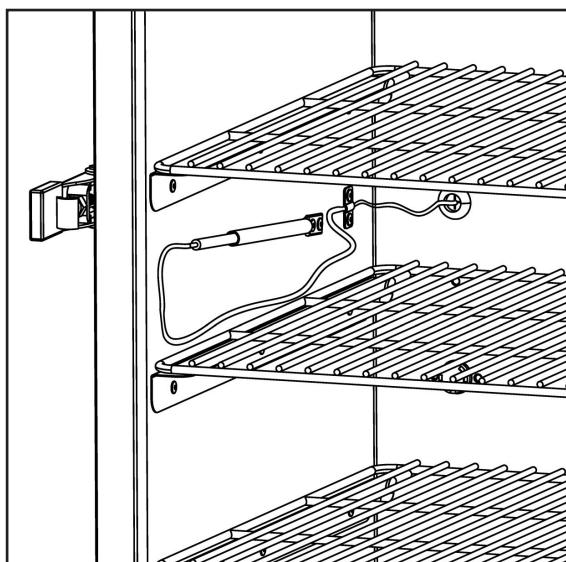
### Utilisation du thermomètre de viande:

Le thermomètre mesure la température interne de la viande et indique quand la nourriture a rejoint la température idéale pour la consommation sécuritaire. Se référer au tableau à la page 45 pour les bonnes températures de nourriture. Pour un bon placement, enlever la sonde de son étui et pousser le bout du thermomètre vers la partie centrale la plus épaisse de la viande. Cette partie prendra le plus longtemps à cuire. Si votre viande a un os, évité de toucher le bout du thermomètre à l'os lors de la cuisson. Si le thermomètre n'est pas utiliser pendant le processus de cuisson, il devrait rester dans son étui. Pour de plus amples renseignements au sujet de la cuisson sécuritaire de la nourriture, appeler USDA Meat and Poultry Hotline (Ligne directe – viande et volaille) à 1-888-MPHOTLINE (888-674-6854) à Washington, DC

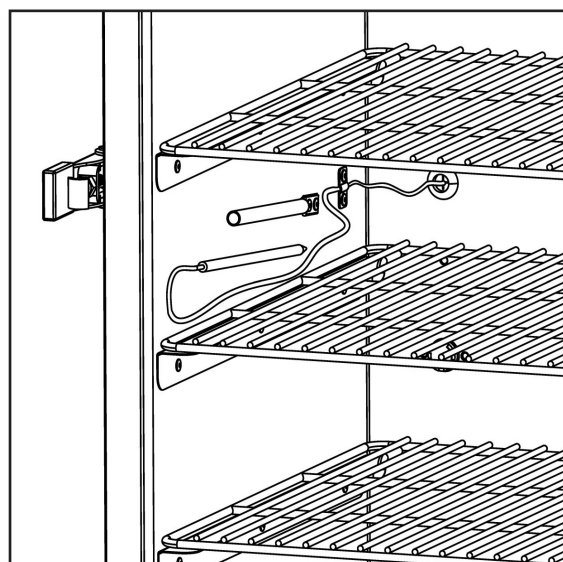
Ou par courriel: [mpholine.fsis@usda.gov](mailto:mpholine.fsis@usda.gov)

Ou visiter le site web de l'USDA à [www.fsis.usda.gov](http://www.fsis.usda.gov)

**Sonde de viande dans son étui**



**Sonde hors de l'étui**



## MODE D'EMPLOI

---

### Cuire avec le Fumoir:

#### A. Utiliser le Bouton de température (🕒)

Portée de temps : 00:00 – 24:00 hs.

1. Brancher le fumoir et presser le **Bouton d'allumage** (🔥) une fois (un 'beep' devrait sonner).
2. Presser le **Bouton de temps (horloge)** (🕒) pour voir "00:00". Le côté heure clignotera.
3. Presser les boutons **"UP"** ou **"DOWN"** pour hausser ou réduire l'heure d'1 heure à la fois. (L'écran continuera de clignoter.) Tenir le bouton pressé pour automatiquement accroître ou décroître le temps et relâcher le bouton lorsque le temps désiré de cuisson est atteint. NOTE: Si les boutons **"UP"** ou **"DOWN"** ne sont pas pressés dans un délai de 5 secondes, l'heure retournera à "00:00" automatiquement et le **Bouton de temps** (🕒) doit être pressé à nouveau pour recommencer le processus d'établir le temps de cuisson.
4. Presser le **Bouton de temps** (🕒) à nouveau pour compléter le temps de cuisson. Le côté minute clignotera.
5. Presser **"UP"** or **"Down"** bouton pour augmenter ou diminuer les minutes. L'affichage continue à clignoter.
6. Peser sur le **Bouton de temps** (🕒) à nouveau pour régler le minutage. L'écran s'arrêtera de clignoter et l'indicateur de "chaleur" s'allumera. La température de cuisson est maintenant prête à être établie.

**NOTE:** Par défaut, la température est réglée à 100° F (38° C).

**NOTE:** Pour changer de Fahrenheit (F) à Celsius (C), peser et tenir le Bouton de temps (🕒) pour 5 secondes. Un 'beep' sera entendu et l'écran alternera entre la nouvelle température et le temps de cuisson.

#### Établir la température

7. Peser le **Bouton de température** (🌡️). L'écran clignotera indiquant que la température est prête à être établie.
8. Peser et tenir les boutons **"UP"** ou **"DOWN"** pour automatiquement accroître ou décroître la température et relâcher le bouton lorsque la température désirée est atteinte.

**NOTE:** Si les boutons **"UP"** ou **"DOWN"** ne sont pas poussés dans un délai de 5 secondes, la température reviendra à son niveau premier de 180F et le Bouton de température doit être pressé à nouveau pour recommencer le processus d'établissement de la température. Appuie sur le **Bouton de température** (🌡️) pour terminer le réglage de la température. L'affichage ne clignote plus.

**NOTE:** Le processus de chauffage ne commencera pas avant que le temps de cuisson soit établi. Le compte-minute commencera le décompte une fois la température établie et le voyant lumineux "Heating" s'éteindra lorsque la cuisson interne est rejointe.

- L'écran continuera d'alterner, à chaque quelques seconds, entre le temps restant de la cuisson et la température interne.
- Le fumoir sonnera une alerte 'beep' 3 fois lorsque le compte-minute marquera "00:00".
- Le réglage du temps et température peuvent être ajustés à n'importe quel temps au cours de la cuisson.

**IMPORTANT:** Toujours cuire avec le bol d'eau et le boîtier d'éclisses à bois en place, n'importe s'ils sont pleins ou non.

#### B. Bouton de la sonde de viande (🍖)

Insérer la sonde dans la viande. Peser et tenir le **Bouton de la Sonde de viande** (🍖) pour afficher la température de la viande. L'écran retournera à température interne du fumoir après que le **Bouton de la Sonde de viande** (🍖) est relâché.

## MODE D'EMPLOI

---

Voir la page 45 pour des suggestions pour enfumer et les températures de viande.

**NOTE:** Si l'appareil est laissé sous tension ou sans attention pour 19 heures, l'appareil se fermera automatiquement. Le panneau de contrôle pourrait fluctuer entre 10 – 15° F (5-8° C) lorsque l'appareil cycle afin de maintenir la bonne température de cuisson.

### Assaisonnement du Fumoir (Avant le premier usage)

Afin d'assaisonner votre fumoir, suivre ces étapes SANS l'usage de nourriture:

1. Placer les éclisses de bois à saveur désirée dans le boîtier d'éclisses et remplir au 3/4. NE PAS METTRE d'eau dans le bol d'eau.
2. Avec la porte du fumoir fermée, allumer le fumoir en pressant sur le **Bouton 'Power'** (⏻).
3. Presser sur la **Bouton de température** (🌡) et utiliser les boutons **"UP"** ou **"DOWN"** pour établir la température de cuisson à 275°F (135C).
4. Presser le **Bouton d'horloge** (🕒) et utiliser les boutons **"UP"** ou **"DOWN"** pour indiquer 2 heures (02:00).
5. Une fois l'assaisonnement complété, l'intérieur de votre fumoir aura une couche assaisonnée et durable.
6. Laisser le fumoir se refroidir complètement et nettoyer/vider le boîtier d'éclisses de bois.

## ⚠ CAUTION ⚠

Le fumoir devient CHAUD lors d'usage. Se servir de grants résistants à la chaleur pour accéder à l'intérieur du fumoir.

### Pour utiliser le boîtier d'éclisses de bois:

Le boîtier d'éclisses de bois est conçu afin de produire une fumée suffisante et fluide pendant le processus de cuisson. Remplir le boîtier au moins 1/2 à 3/4 avec les éclisses ou pastilles de saveur. Plus ou moins de ce montant pourrait ne pas créer la bonne quantité de fumée pour ajouter la saveur voulue. Se référer à la page 45 pour les genres d'éclisses (ou pastilles) recommandées pour diverses nourriture. Pour ajouter plus de pastilles ou éclisses pendant le processus de cuisson, simplement ouvrir la porte d'accès de côté et placer un petit montant de pastilles ou éclisses dans la languette de ravitaillement. En fermant la porte, ceci donne aux pastilles et éclisses la chance de tomber dans le boîtier d'éclisses. N'utilisez pas de gros morceaux ni de briquettes de charbon. **NOTE :** L'usage d'éclisses ou de pastilles n'est pas requis au courant du processus de cuisson.

**NOTE:** Toujours opérer le fumoir avec le boîtier en place – même s'il n'y a pas d'éclisses ou pastilles de saveur.

### Utilisation du Bol d'eau:

Le bol d'eau diffuse la chaleur directe entre la nourriture et l'élément de chaleur. L'usage de l'eau dans le bol n'est pas requis, mais le bol d'eau DOIT ÊTRE en place durant l'opération de l'appareil. Pour utiliser le bol, remplir à au moins le 3/4 avec de l'eau chaude mais pas bouillante, avant d'allumer le fumoir. L'eau froide pourrait prolonger le processus de cuisson. Ne pas remplir à rebord. Ce faisant pourrait causer l'eau d'éclabousser à l'intérieur du fumoir.

### ⚠ CAUTION ⚠

- **Ne pas utiliser des outils pointus ou coupants pour nettoyer le fumoir.**
- **Ne pas utiliser des produits pour fours abrasifs, laine d'acier ou brosses de métal pour nettoyer les grilles de porcelaine ou le corps du fumoir. Ceci endommagera le fini.**
- **Remplacer les pièces défectueuses seulement avec des pièces certifiées Dyna-Glo, Ne pas tenter de réparer les parties endommagées.**

- Afin de maintenir une performance optimale, nettoyage du fumoir après chaque usage est recommandé.
- Attendre que le fumoir soit complètement refroidi avant de nettoyer.
- Une brosse avec poil de plastique peut être utilisée pour nettoyer des taches tenaces.
- **NE PAS** utiliser de la laine d'acier ou brosse de métal. Les pièces peuvent casser et toucher des éléments électriques créant un risque de choc électrique.
- Nettoyer le boîtier du contrôleur et élément de chaleur en passant un linge humide. Utiliser un savon à vaisselle doux.
- Faire sécher le boîtier de contrôle et l'élément de chaleur complètement avant usage. Omettre cette étape causera du dommage au contrôle et empêcher le fumoir de bien fonctionner.
- Nettoyer les grilles avec du savon à vaisselle doux. Nettoyer les grilles de cuisson dans de l'eau savonnée chaude avec l'eau savonnée ou avec une solution 'd'eau et de bicarbonate de soude. Nettoyer les étagères avec une solution plus forte pour des taches répétitives. La poudre non-abrasive peut aussi être utilisée pour des taches tenaces
- Nettoyer le plateau de graisse avec un linge humide et le bol d'eau avec un linge humide et de l'eau savonnée. Permettre aux liquides à l'intérieur du bol d'eau ou plateau de refroidir complètement avant de nettoyer.
- Éviter de nettoyer les surfaces de cuisson quand le fumoir est encore chaud.
- Prendre en compte toutes les précautions de sauvegarde et avertissements avant de sortir la viande du fumoir ou en préparant l'appareil pour l'entreposage. Voir la page 28 pour d'importantes précautions et avertissements.

## CONSEILS POUR LE FUMAGE DES ALIMENTS

Accoupler les copeaux de bois avec la sorte de nourriture spécifique dépendant à la préférence de l'utilisateur. Cette page peut être utilisée comme guide pour des idées à fin de saveur

- Le bois dur comme le bois du noyer, pacanier, pommier, cerisier, mesquite brûlent généralement plus lentement et produisent plus de fumée sur une longue période de temps.
- Pour prolonger le temps de combustion des copeaux de bois : faites tremper les copeaux de bois dans un bol d'eau pendant au moins 30 minutes et/ou enveloppez les copeaux dans un papier d'aluminium perforé.
- La plupart de la saveur du fumeur est acquise en dedans d'une heure de cuisson. **Il n'est pas nécessaire d'ajouter plus de copeaux après la première heure à moins que plus de saveur fumeur es désirer.**

Ici une liste de bois fumé les plus populaires et un peu d'information à ses sujets.

Essence de bois	Aliment suggéré	Commentaires
Pommier	Toutes les viandes	Saveur douce, sucrée et légèrement fruitée. Chaque espèce de pommier confère aux aliments une saveur légèrement différente. Le bois de pommier produit un effet de brunissement qui rend la nourriture encore plus appétissante.
Amandier	Toutes les viandes	Saveur sucrée et goût naturel de noisette.
Frêne	Poisson et viande rouge	Saveur très douce.
Citronnier	Porc et poulet	Les bois de citronnier et d'oranger confèrent aux aliments une saveur douce, mais fruitée.
Cerisier	Porc et bœuf	Saveur douce et fruitée.
Bois fruitier	Porc, volaille et poisson	Les bois de pêcher, de poirier et de prunier confèrent aux aliments une saveur de fumée douce, sucrée et légèrement fruitée.
Vigne	Volaille, gibier et agneau	Le bois de vigne dégage beaucoup de fumée et brûle longtemps. Il donne aux aliments une saveur acidulée et légèrement fruitée.
Hickory	Porc et bœuf	Le bois de hickory est sans doute le bois le plus recherché pour fumer les aliments. La saveur qu'il produit est très intense; par conséquent, nous vous recommandons d'utiliser une faible quantité de ce bois pour commencer.
Érable	Porc et volaille	Saveur douce et sucrée.
Prosopis	Bœuf, poulet et poisson	Ce bois dégage une chaleur très intense, alors soyez prudent. Tout comme le bois de hickory, ce bois est très apprécié et confère aux aliments une saveur prononcée.
Chêne	Viande rouge, gibier, côtes et poisson	Ce bois produit également beaucoup de fumée. Utilisez-en une faible quantité pour commencer.
Pacanier	Côtes et viande rouge	Ce bois dégage une légère fumée qui donne aux aliments une saveur sucrée et un goût de noisette.

## TEMPERATURES DE FUMAGE PROPOSÉES

### Températures fumeurs

Températures de fumer acurate sont essentiels pour la nourriture en toute sécurité cuisson lorsque les sondes de viande ne sont pas disponible. Veuillez comprendre que l'utilisation de la jauge de température installé en usine est acceptable outil pour la nourriture de fumer, mais ce n'est pas toujours le moyen idéal de mesurer le tabagisme le plus précis température, car les températures internes de fumeurs peuvent varier entre la cuisine haut et en bas grilles. Aussi garder à l'esprit que les sondes utilisées sur la plupart des indicateurs sont conçus pour mesurer la la température à la pointe de la sonde de température et non pas la température globale du fumeur.

Alternativement, il est recommandé que les utilisateurs soit par achat, une température prêt à cuire après-vente évaluer, ou un thermomètre à viande. Thermomètres à viande sont le moyen le plus efficace de déterminer quand la nourriture est cuite à la température minimale requise pour la consommation sécuritaire. S'il vous plaît se référer au tableau ci-dessous pour températures de cuisson.

### TEMPERATURES DE FUMER PROPOSÉES

	Températures de fumage proposees	Températures Minimales Recommandées pou les Aliments
<b>Viande, Volaille, Poisson</b>		
<b>Boeuf, veau et agneau (morceaux et pièces entières)</b>		
Mi-saignante	225°F (107.2°C)	145°F (63°C)
Medium	225°F (107.2°C)	160°F (71°C)
Bien faite	225°F (107.2°C)	170°F (77°C)
<b>Porc (jambon, longe de porc, côtes)</b>		
Porc (morceaux et pièces entières)	225 - 240°F (107.2 - 115.6°C)	160°F (71°C)
<b>Viande hachée et mélanges de viande (hamburgers, saucisses, boulettes de viande, pain de viande, ragoûts et le bœuf attendri mécaniquement)</b>		
Boeuf, veau, y compris attendries mécaniquement, agneau et le porc	250 - 300°F (121 - 149°C)	160°F (71°C)
Volaille (poulet et dinde)	250 - 300°F	165°F (74°C)
<b>Volaille (poulet et dinde)</b>		
Pièces	250°F (121°C)	165°F (74°C)
Entières	240°F (115.6°C)	185°F (85°C)
<b>Fruits de mer</b>		
Poisson	225 - 240°F (107.2 - 115.6°C)	158°F (70°C)
Crustacés (crevettes, homard, crabe, pétoncles, palourdes, moules et huîtres)	225 - 240°F (107.2 - 115.6°C)	165°F (74°C)
Comme il est difficile d'utiliser un thermomètre pour aliments afin de vérifier la température des crustacés, jeter ceux qui ne s'ouvrent pas après la cuisson.		

	Températures de fumage proposees	Températures Minimales Recommandées pou les Aliments
<b>Gibier</b>		
<b>Côtelettes, steaks et rôtis (cerfs, wapitis, orignaux, caribous / rennes, antilopes et pronghorn)</b>		
Mi-saignante	225°F (107.2°C)	170°F (77°C)
<b>Grand gibier</b>		
Ours, bison, bœuf musqué, morse, etc	250 - 300°F (121 - 149°C)	165°F (74°C)
<b>Petit gibier</b>		
Lapin, rat musqué, castor, etc	225 - 240°F (107.2 - 115.6°C)	165°F (74°C)
<b>Viande hachée</b>		
Viande hachée et mélanges de viandes	250 - 300°F (121 - 149°C)	165°F (74°C)
Cerf haché et saucisses	250 - 300°F (121 - 149°C)	165°F (74°C)
<b>Gibier à plumes / sauvagine (dindon sauvage, canard, oie, perdrix et faisan)</b>		
Entières	250°F (121°C)	180°F (82°C)
Poitrines et rôtis	250°F (121°C)	165°F (74°C)
Cuisses, ailes	250°F (121°C)	165°F (74°C)
Farce (cuite seule ou dans un oiseau)	250°F (121°C)	165°F (74°C)

## ⚠ AVERTISSEMENT ⚠

- Soyez prudent lorsque vous soulevez ou déplacez le fumoir, et ce, afin d'éviter des blessures. Il faut que deux personnes soulèvent ou déplacent le fumoir.
- **IL NE FAUT PAS** placer l'appareil près d'essence ou d'autres liquides combustibles. Ou dans un endroit où il y a des vapeurs combustibles. Il ne doit pas avoir de matière combustible ou de vapeurs combustibles autour du fumoir.
- **IL NE FAUT PAS** ranger ce fumoir dans un endroit accessible aux enfants et animaux domestiques. Rangez le fumoir dans un endroit sec et sécuritaire.
- **IL NE FAUT PAS** laisser des personnes s'approcher du fumoir après utilisation il faut attendre le refroidissement du fumoir. Il est chaud durant l'utilisation et chaud, pour un temps, après l'utilisation.
- **IL NE FAUT PAS** cesser de surveiller les cendres chaudes lorsque le fumoir n'est pas complètement refroidi.
- Le fumoir devient extrêmement chaud. Attendez le refroidissement complet du fumoir avant l'utilisation. Attendez le refroidissement du fumoir avant d'enlever ou de nettoyer le récipient à graisse.
- Disposez des cendres froides en les enveloppant dans du papier d'aluminium robuste et la mise les dans un récipient incombustible. Si vous devez vous débarrasser des cendres en moins de temps qu'il leur faut pour refroidir complètement, retirez la boîte de copeaux de bois du fumeur avec des gants résistant à la chaleur, placer les cendres dans aluminium épais et les faire tremper complètement avec de l'eau avant de les jeter dans un récipient incombustible. Toujours utiliser des gants de cuisine ou des gants résistant à la chaleur lors de l'accès à l'intérieur du fumeur pendant et après utilisation.

## ⚠ CAUTION ⚠

Tout entretien doit être fait lorsque le fumoir est débranché et refroidi. Toujours s'assurer que l'entretien soit fait par un réparateur qualifié.

Pour nettoyer l'intérieur et l'extérieur du cabinet du fumoir, simplement utiliser un linge humide. Le lavement avec un tuyau d'arrosage n'est pas recommandé. Toute humidité devrait être essuyée et non permise à l'intérieur ou sur le dessus du fumoir. Une fois nettoyé vous pouvez décider de légèrement courir l'intérieur du cabinet du fumoir avec de l'huile de cuisson ou appliquer avec un aérosol de cuisson.

Si de la rouille présente sur la surface extérieure du fumoir, nettoyer l'endroit avec de la laine d'acier ou avec un chiffon d'ameri et utiliser une peinture résistante à la chaleur.

NE JAMAIS appliquer de la peinture additionnelle à l'intérieur du fumoir.

## DÉPANNAGE

Si vous avez des questions concernant le produit, s'il vous plaît appelez le service à la clientèle au 1-877-447-4768, Huit heures 30-16h30, HNC, du lundi - vendredi.

PROBLÈME	CAUSE POSSIBLE	ACTION CORRECTIVE
<b>Aucune chaleur du fumoir.</b>	<ul style="list-style-type: none"><li>• Le fumoir est fermé ou débranché</li><li>• Aucun pouvoir</li><li>• Contrôle ou élément de chaleur défectueux</li></ul>	<ul style="list-style-type: none"><li>• Allumer le fumoir</li><li>• Vérifier qu'aucun disjoncteur est à la position 'off' et remettre en position 'on' si nécessaire</li><li>• Vérifier que le CIDT (<b>Circuit Interrupteur de terre</b>) n'est pas défectueux à la prise de courant. Réinitialiser le CIDT ou le remplacer, si nécessaire</li><li>• Si le disjoncteur ou le CIDT continue de se fermer, utiliser une prise de courant différente sur un disjoncteur unique.</li><li>• Essayer un autre appareil dans la prise de courant.</li><li>• Remplacer le contrôle ou l'élément de chaleur</li></ul>
<b>Le disjoncteur 'saute' ou la fusible brûle.</b>	<ul style="list-style-type: none"><li>• Un autre appareil est branché dans le circuit que le fumoir (trop d'appareils utilisant le même circuit).</li><li>• Humidité ou eau dans le contrôle, fil électrique ou connexion au courant .</li><li>• Fil électrique endommagé ou effiloché.</li><li>• Connexion électrique endommagée</li></ul>	<ul style="list-style-type: none"><li>• Trouver une autre prise de courant sur un circuit séparé.</li><li>• Garder toutes les connexions sèches et loin d'humidité. NE PAS utiliser cet appareil dans la pluie ou lors d'une tombée de neige.</li><li>• Fermer le fumoir, débrancher le fumoir et vérifier le fil électrique pour du dommage. Remplacer si nécessaire.</li><li>• Remplacer le contrôle</li></ul>
<b>Le fumoir ne produit pas assez de chaleur.</b>	<ul style="list-style-type: none"><li>• Le fumoir n'est pas suffisamment préchauffé ou la température établie est trop basse.</li><li>• Porte laissée ouverte ou non-sécurisée</li><li>• Rallonge électrique non-appropriée</li></ul>	<ul style="list-style-type: none"><li>• Préchauffé pour 15-20 minutes. Accroître la température via le contrôle.</li><li>• Fermer la porte et mettre le loquet avant usage.</li><li>• Utiliser une rallonge à taux extérieur at 15 amps</li></ul>

## DÉPANNAGE

PROBLÈME	CAUSE POSSIBLE	ACTION CORRECTIVE
<b>Trop peu ou aucune fumée vient du fumoir.</b>	<ul style="list-style-type: none"> <li>• Pas assez d'éclisses de bois</li> <li>• Les pastilles ou éclisses sont trop petites.</li> </ul>	<ul style="list-style-type: none"> <li>• Vérifier le niveau des éclisses de bois. Le boîtier devrait être plein au moins au 3/4.</li> <li>• Afin de générer le bon montant de fumée, les éclisses devaient mesurer environ 1" – 3" pouces (2.5 cm – 7.6 cm) et pas plus épais qu' 1/4" de pouce (0.6cm). Des morceaux de tronc ou copeaux de bois ne sont pas recommandés. NE PAS utiliser des briquettes de charbon.</li> </ul>
<b>Éruptions</b>	<ul style="list-style-type: none"> <li>• La viande contient un montant excessif de gras</li> <li>• La température de cuisson est trop</li> <li>• Surabondance de graisse</li> </ul>	<ul style="list-style-type: none"> <li>• Couper un bon bout de la graisse avant de cuire</li> <li>• Réduire la température si nécessaire</li> <li>• Nettoyer le fumoir tel que recommandé</li> </ul>
<b>Feux de graisse répétitifs</b>	<ul style="list-style-type: none"> <li>• Trop de graisse laissée dans le plateau de graisse ou dans la tasse de graisse</li> </ul>	<ul style="list-style-type: none"> <li>• Fermer le fumoir et ouvrir la porte pour donner la chance aux flammes de s'éteindre. NE PAS utiliser de l'eau pour éteindre le feu. Des blessures personnelles pourraient s'ensuivre. Permettre au fumoir de se refroidir complètement avant de nettoyer le plateau et la tasse.</li> </ul>
<b>Code d'erreur du panneau de contrôle</b>	<ul style="list-style-type: none"> <li>• E1 ou E2 : Détecteur défectueux dans la chaufferie</li> <li>• E3 ou E4: Sonde défectueuse</li> </ul>	<ul style="list-style-type: none"> <li>• Retourner l'unité à GHP Group pour réparation ou remplacement sous garantie.</li> </ul>

## LISTE DES PIÈCES DE RECHANGE

Pour les pièces détachées, appelez notre service à la clientèle au 1-877-447-4768, 8 heures 30-16h30, HNC, du lundi - vendredi.

RÉF	DESCRIPTION	NO DE PIÈCE
1	Assemblage du cabinet du fumoir	70 - 01 - 364
2	Panneau du haut pour assemblage du cabinet	70 - 01 - 343
3	Poignée arrière	70 - 01 - 341
4	Panneau de contrôle (boîtier et panneau PCB)	70 - 01 - 342
5	Assemblage de porte	70 - 01 - 365
6	Poignée pour assemblage de porte	70 - 01 - 344
7	Support de loquet de porte	70 - 01 - 352
8	Loquet de porte (sans l'étui de silicone)	70 - 01 - 353
9	Grilles de cuisson	70 - 01 - 351
10	Jambe de devant de cabinet D/G	70 - 01 - 355
11	Penture du haut de la porte	70 - 01 - 339
12	Penture du bas de la porte	70 - 01 - 366
13	Bol d'eau	70 - 01 - 367

RÉF	DESCRIPTION	NO DE PIÈCE
14	Boîtier pour éclisses de bois	70 - 01 - 346
15	Support de boîtier d'éclisses de bois	70 - 01 - 368
16	Roulettes arrière	70 - 01 - 354
17	Plateau pour graisse	70 - 01 - 369
18	Poignée pour porte d'accès aux éclisses de bois	70 - 01 - 383
19	Étui de silicone pour la poignée du loquet	70 - 01 - 356
20	Boîtier de l'étouffoir du haut	70 - 01 - 357
21	Plateau de l'étouffoir du haut	70 - 01 - 358
22	Poignée de résine pour l'étouffoir du haut	70 - 01 - 359
23	Boulon d'attachement pour le plateau d'étouffoir du	70 - 09 - 123
n/a	Manuel d'instructions	70 - 10 - 559



## **GARANTIE**

---

Ce fumoir numérique électrique vertical est garanti contre pièces cassées ou endommagées lors de l'achat. Toutes les autres pièces portent un (1) an de garantie limitée, sauf la chambre de charbon, qui est garantie d'être libre de défauts pendant 90 jours. La peinture est garantie d'être libre de défauts pendant 90 jours à l'exception de la rouille, qui peut apparaître après une utilisation répétée.

La garantie ne couvre pas les dommages ou les problèmes liés à une négligence, à un usage abusif ou aux modifications apportées à l'appareil. La garantie ne couvre pas les coûts de main-d'oeuvre.

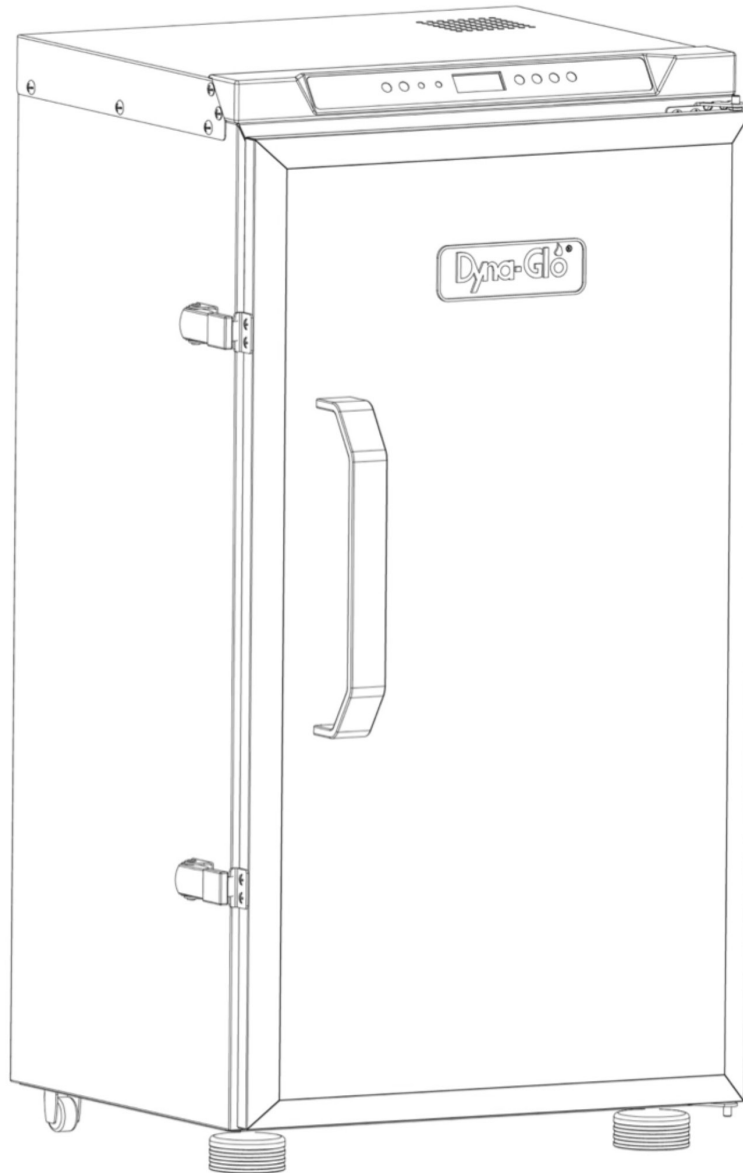
Toutes les pièces couvertes par la garantie seront expédiées sans frais selon la méthode choisie par le fabricant (envoi terrestre par US Mail ou Parcel Post **UNIQUEMENT**). Tout montant additionnel (par exemple, la livraison le lendemain, le surlendemain, etc.) relève de la responsabilité du consommateur.

Toutes les réclamations au titre de la garantie ne peuvent être effectuées que par l'acheteur initial du produit et nécessitent une preuve d'achat qui indique la date d'achat. Ne retournez aucune pièce à l'adresse de GHP sans avoir obtenu un numéro d'autorisation de retour de notre service à la clientèle. Vous pouvez appeler sans frais notre service à la clientèle au 1-877-447-4768, huit heures et demie-16h30, HNC, du lundi - vendredi.

**AVIS** : Certains États ou certaines provinces ne permettent pas une limitation de la durée de la garantie implicite ou une exclusion ou une limitation des dommages accidentels ou consécutifs, de sorte que les limitations ou exclusions mentionnées ci-dessus peuvent ne pas s'appliquer à vous. Cette garantie vous confère des droits précis. Il est possible que vous disposiez également d'autres droits, qui varient d'un État ou d'une province à l'autre.

GHP Group, Inc.  
6440 W. Howard Street  
Niles, IL, États-Unis  
60714-3302

Nom de l'article : Fumoir Numérique Électrique Vertical  
Modèle : DGU732BDE/DGU732BDE-D  
Capacité nominale: 1000W/Hr



C US

UL 1026 - sexta edicion,  
2012 Electrodomésticos de  
Unidad Familiar y Aparatos  
de Servir Comida

CSA C22.2 No. 64-10  
(reafirmado 2014)  
Cocina de Unidad familiar  
y Aparatos de Calentador  
Líquidos

**PARA USO EXTERNO UNI-  
CAMENTE**  
Use solo con Clase A GFI  
(Interruptor de fallo  
de tierra )

**ADJUNTE SU RECIBO AQUÍ**

Número de serie \_\_\_\_\_ Fecha de compra \_\_\_\_\_



**¿Preguntas, problemas, piezas faltantes?** Antes de volver a la tienda, llame a nuestro Departamento de Servicio al Cliente al 1-877-447-4768, de 8:30 am - 4:30 pm, hora central, de lunes - viernes o envíe un correo electrónico a [customerservice@ghpgroupinc.com](mailto:customerservice@ghpgroupinc.com).



**NO TIENE QUE REGRESAR A LA TIENDA**

¿Tiene preguntas respecto al ensamblaje?

¿Necesita información sobre las piezas?

¿Se encuentra el producto bajo garantía del fabricante?

Llame gratis al: 1-877-447-4768

8:30 a.m. – 4:30 pm Hora del Centro, de lunes a viernes

**Conserve este manual del usuario y prueba de compra para referencia futura**

**Para ayudarnos a asistirle**

Llene la información siguiente:

Fecha de compra

Lugar de compra

Número de modelo

úmero de serie  
del producto

EL NÚMERO DE MODELO Y DE SERIE SE ENCUENTRAN  
EN LA ETIQUETA DE CLASIFICACIÓN DE SU PARRILLA.

## INDICE

---

Informacion de seguridad .....	54
Contenido del paquete .....	59
Aditamentos.....	60
Preparación Antes del Ensamblado .....	60
Instrucciones de ensamblaje .....	61
Instrucciones de funcionamiento .....	64
Consejos para fumar .....	70
Cuidado y mantenimiento .....	72
Solución de problemas .....	73
Lista de piezas de repuesto .....	75
Garantía .....	77

Ensamblador / instalador: Este manual de instrucciones contiene información importante necesaria para el correcto montaje y el uso seguro de este aparato. Lea y siga todas las advertencias e instrucciones antes de ensamblar y usar este aparato. Deje estas instrucciones con el consumidor.

**Consumidor / Usuario: Siga todas las advertencias e instrucciones al utilizar este aparato.**

## GUARDE ESTAS INSTRUCCIONES

### INFORMACION DE SEGURIDAD

---

Lea y comprenda completamente este manual antes de intentar ensamblar, usar o instalar el producto. Si tiene preguntas relacionadas con el producto, llame al Servicio al Cliente al: 1-877-447-4768, de 8:30 am - 4:30 pm, hora central, de lunes - viernes.

### **PRECAUCIÓN**

- Cuando se utilizan aparatos electricos, las precauciones basicas siempre se deben seguir para reducir el riesgo de incendio, descarga eléctrica y lesiones a personas.

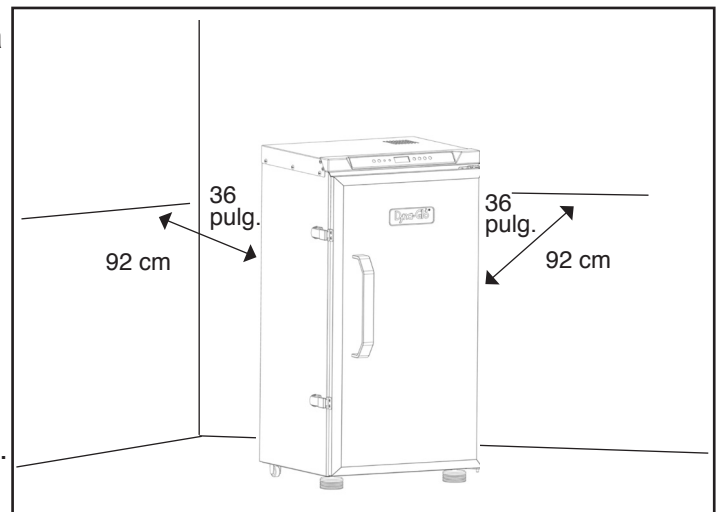
### **PELIGRO**

- El incumplimiento de estas instrucciones podria provocar un fuego o riesgo de quemaduras que podria causar daños a la propiedad, lesiones personales o la muerte.

## PRECAUCIONES IMPORTANTES

LEA TODAS LAS INSTRUCCIONES, ANTES DE UTILIZAR ESTE AHUMADOR

- **NO** utilice este producto para algo que no sea su propósito. NO es para uso comercial. NO está destinado a ser instalado o utilizado en o sobre un vehículo y / o barco recreativo.
- **NO** opere este ahumador con un cable o enchufe dañado o después de un mal funcionamiento del ahumador, se ha caído o está dañado de cualquier manera.
- **NO** use el ahumador dentro de 10 pies (3 m) de una piscina, un charco, un estanque u otro cuerpo de agua.
- Mantenga el ahumador y controlador eléctrico seco y fuera de la lluvia en todo momento.
- Se requiere una distancia mínima de 36 pulg. (92 cm) de material combustible en el frente, los lados y la espalda. Es muy importante de siempre mantener espacios adecuados materiales combustibles.
- Cuando se utiliza madera saborizante, añadir una cantidad suficiente al inicio del proceso de cocción, con el fin de evitar la re-adición de madera durante el proceso de cocción. Adición de la madera durante el funcionamiento puede salpicar agua caliente y causar lesiones graves.
- Comprobar el nivel de agua por lo menos cada 2 horas. Un sonido que chisporrotea puede indicar un nivel de agua bajo. Siga las instrucciones de este manual para añadir agua al operar (ver página 64).
- **NO** use el aparato durante una tormenta eléctrica.
- Conecte únicamente a enchufes con toma de tierra.
- Use solo con una clase A GFI (interruptor de falla a tierra) con circuito protegido.
- Coloque el cable lejos de áreas de tráfico para garantizar que no se tropiece.
- Para desconectar el ahumador, apague el ahumador en girar y pulsar el botón de Encendido (⏻) y retirar el enchufe del tomacorriente.
- **NO** obstruya el flujo de aire ventilado para el aparato.
- **NO** utilice papel de metal en las parrillas de cocción. Si lo hace, puede provocar daños al ahumador.
- **NO** utilice este aparato como calentador.
- **NO** use carbón con este aparato. Este aparato no está diseñado para usarse con carbón y un incendio producirá si el carbón se utiliza durante la operación. El fuego creará una situación de inseguridad y dañará el ahumador.
- Tenga cuidado al abrir la puerta del ahumador mientras esté en funcionamiento. Mantenga las manos, la cara y el cuerpo del vapor caliente o brotes. NO inhalar el humo.
- Si tiene que deshacerse de las cenizas en menos tiempo que le toma a las cenizas que se enfrían completamente abajo, entonces retire la ceniza del aparato con guantes de cocina insulados o guantes y remojar completamente las cenizas con agua antes de deshacerse de ellos en un recipiente no combustible.
- **NO** use ropa suelta mientras opera el ahumador. Atar el cabello largo mientras se opera el ahumador.
- **SIEMPRE** use zapatos que cubren totalmente sus pies mientras que use el ahumador.
- **NO** toque las superficies calientes. Use las asas o las perillas.



## INFORMACION DE SEGURIDAD

- Para protegerse contra descargas eléctricas, no sumerja el cable, los enchufes, o conjunto de control del termostato en agua u otro líquido.
- Se requiere supervisión cuando cualquier aparato es utilizado por o cerca de niños.
- Desenchufe del tomacorriente cuando no esté en uso y antes de limpiarlo. Deje que se enfríe antes de poner o quitar piezas.
- **NO** opere ningún aparato con un cable o enchufe dañado o después de un mal funcionamiento o se ha dañado de alguna manera.
- El uso de accesorios no recomendados por el fabricante del aparato puede causar lesiones.
- **NO** utilizar en interiores.
- **NO** permita que el cable cuelgue del borde de la mesa o mostrador, ni que toque superficies calientes.
- **NO** lo coloque sobre o cerca de una quemador de gas o eléctrica, o en un horno caliente.
- Debe tener mucho cuidado al mover un aparato que contenga aceite caliente o otros líquidos calientes.
- Siempre conecte el cable al aparato primero, luego el enchufe en el tomacorriente. Para desconectar, ajuste todo control a "OFF", luego retire el enchufe del tomacorriente.
- **NO** use el aparato para que no sea el uso previsto.
- Tenga mucho cuidado al retirar las bandejas o desechar la grasa caliente.
- **NO** limpie con estropajos de metal. Piezas de metal podrían arrancar y tocar las partes eléctricas, creando un riesgo de descarga eléctrica.
- Combustible, como briquetas de carbón, no es para ser utilizado con aparato.
- Utilice únicamente con toma de tierra adecuados.
- Asegúrese de que las manillas están montados y fijados correctamente. Vea las instrucciones relativas a las manillas en la página 59-60.

## • GUARDE ESTAS INSTRUCCIONES.

### **ADVERTENCIA**

- NO utilice cables de extensión de 16 o 18 calibres. Daños en el cableado de la casa y/o fuego podría resultar.

## EL USO DE UN CABLE DE EXTENSION NO ES RECOMENDADO.

LEA TODAS LAS INSTRUCCIONES, ANTES DE USAR UN CABLE DE EXTENSION CON ESTE AHUMADOR

- Utilizar solo al aire libre con conexión de enchufe de tipo con 3 clavijas, clasificado de 15 amperios o más, aprobado por la UL, marcado con una W-A y una etiqueta que indica "Apto para uso con aparato exterior".
- Utilice el cable de extensión de longitud más corto requerido. No conecte 2 o más cables de extensión.
- No deje que el cable cuelgue del borde de mesa o otros elementos donde la pueden jalar los niños o tropezarse.

## INFORMACION DE SEGURIDAD

---

### **Interruptor de falla a tierra**

- Desde 1971 el código eléctrico nacional (NEC) exige dispositivos de GFCI en todos los circuitos al aire libre.
- Si su vivienda fue construida antes de 1971, consulte con un electricista calificado para determinar si existe.
- No utilice este aparato si el circuito no tiene protección de clase A GFI.
- No enchufe el aparato a un circuito interior.

## **SEGURIDAD GENERAL**

### LEA TODAS LAS INSTRUCCIONES, ANTES DE UTILIZAR ESTE FUMADOR

- Este aparato es para uso externo solo en áreas bien ventiladas. NO opere bajo un mismo techo, en un edificio, garaje o cualquier otra área cerrada, o en construcción sobrecarga.
- Antes de cada uso, verifique que no haya hojas muertas o restos debajo de el aparato.
- Mantenga un extintor de incendios cerca de este producto en todo momento.
- Desenchufe siempre el ahumador cuando no se este utilizando.
- Permita que el ahumador y sus componentes se enfríen completamente antes de realizar cualquier operación de limpieza o mantenimiento de rutina.
- NO utilice agua o otro líquido aerosol para limpiar el ahumador sin antes desconectar la unidad.
- Permita que el ahumador se enfríe a 115 ° F (45 ° C) antes de mover o almacenar. Tenga cuidado al levantar y mover el aparato para evitar tensiones en la espalda o lesión en la espalda.
- NO mueva el aparato mientras esta en uso.
- Cuando no esté en uso, se debe mantener el ahumador fuera de los elementos o protegido con una cubierta. Permitir que el ahumador se enfríe por completo antes de colocar la tapa. Guarde este aparato en un lugar seco y protegido cuando sea posible.
- El uso de accesorios no recomendados por el fabricante del aparato puede ocasionar lesiones o daños materiales.

## **! ADVERTENCIA !**

Para evitar lesiones graves:

- Durante la coccion, el ahumador debe estar sobre una superficie nivelada, estable y incombustible en un area libre de material combustible, incluyendo hierba larga o seco.
- El uso de alcohol, prescripción o medicamentos de venta libre pueden afectar la capacidad del usuario para armar correctamente y operar con seguridad este aparato.
- **NO** mueva este aparato mientras este en uso.
- **NO** almacene y utilice este aparato cerca de gasolina o otros líquidos inflamables o donde otros vapores combustibles pueden estar presentes.
- El ahumador se debe utilizar solamente en areas bien ventiladas.
- **NO** utilice este aparato como un calentador.
- **NO** deje el aparato sin vigilancia mientras este en uso. Mantenga a los niños y las mascotas alejados del aparato en todo momento.
- Este aparato estara caliente durante y despues de su uso. Use guantes de cocina insulados o guantes para la proteccion de superficies calientes o de las salpicaduras de líquidos de coccion.

## **! ADVERTENCIA !**

**Subproductos combustibles producidos al usar este producto contiene sustancias químicas conocidas en el Estado de California PROPUESTA 65 DE CALIFORNIA**

- 1. Para causar cancer, defectos de nacimiento y otros daños reproductivos.**
- 2. Este producto contiene sustancias químicas, como el plomo y sus compuestos, conocidos en el Estado de California como causante de cáncer, defectos de nacimiento y otros daños reproductivos.**

**Lavese las manos despues de manipular este producto.**

## **! PELIGRO !**

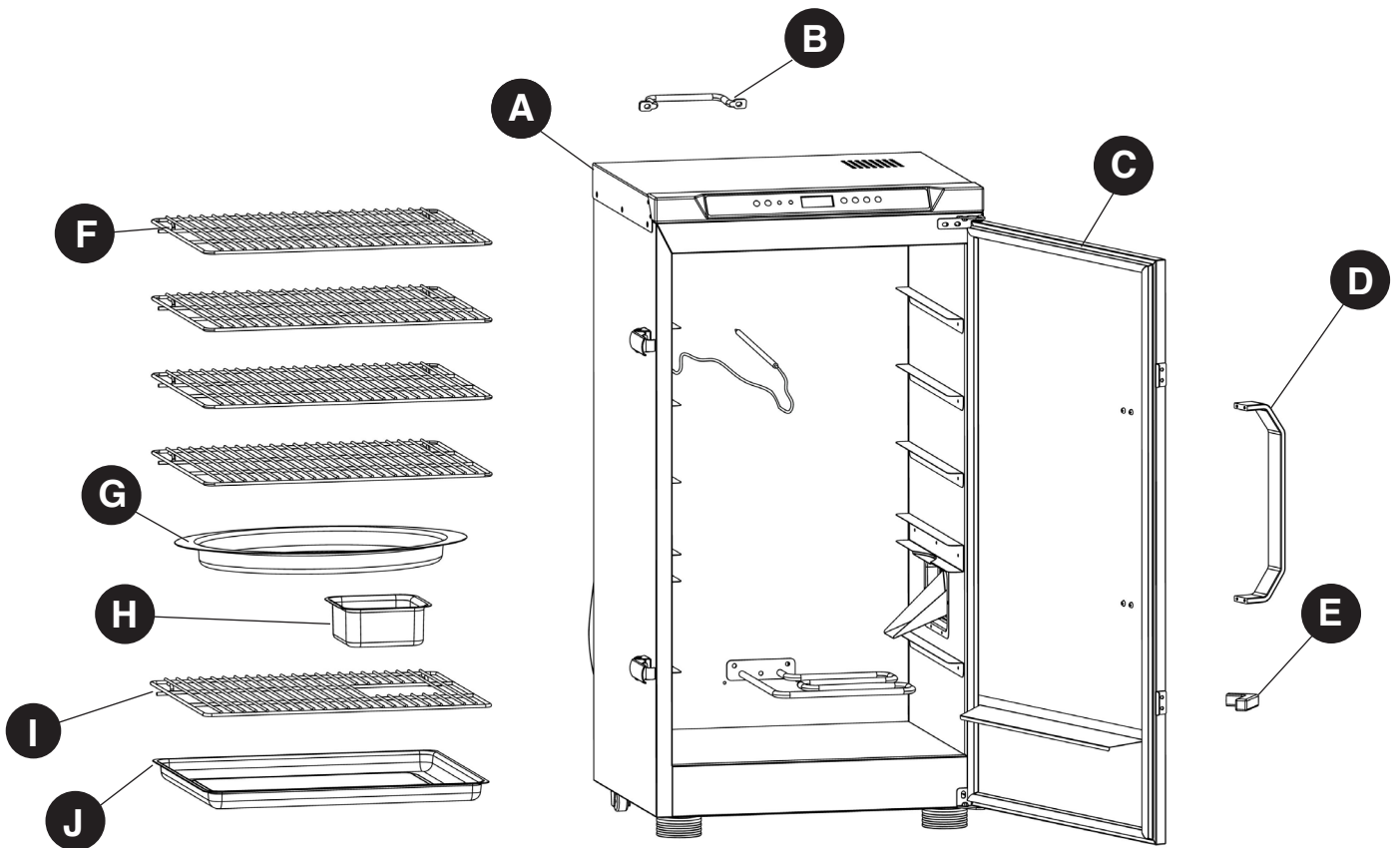
**En caso de incendio, desenchufe el ahumador del tomacorriente y deje que el fuego se queme. No utilice agua para apagar un incendio en este o otro aparato electrico.**

**Para evitar un choque electrico desconecte el cable electrico antes de limpieza. Nunca sumerja controlador eléctrico o elemento de calefntamiento en ningun liquido.**

**Para evitar la posibilidad de quemaduras asegurarse de que el ahumador se haya enfriado completamente antes de retirar y / o limpiar el regulador electrico y el elemento de claentamiento.**

**NO use lana de acero o cepillos de alambre para limpiar el interior del aparato. Las piezas pueden desprenderse y tocar las partes electricas, creando un riesgo de descarga electrica.**

## CONTENIDO DEL PAQUETE



PIEZA	DESCRIPCION	CANT.
A	Conjunto del Gabinete del Ahumador	1
B	Manilla Trasera	1
C	Conjunto de Puerta	1
D	Manilla de la Puerta	1
E	Manilla de la puerta de acceso de astillas de madera	1
F	Parillas de coccion	4
G	Tazon de Agua	1
H	Deposito de astillas de madera	1
I	Soporte de deposito de las astillas de madera	1
J	Recipiente de Grasa	1

## ADITAMENTOS (PRE-ENSAMBLADOS)

---

AA



M5 x 12 mm  
Tornillo

Cant. 3

1 M5 x 12 mm tornillo (AA) es pre-ensamblado en la manilla de puerta de astilla de madera de acceso (E).

2 M5 x 12 mm tornillos (AA) están pre-ensamblados en el conjunto del gabinete del ahumador (A).

BB



M4 x 35 mm  
Tornillo

Cant. 4

4 M4 x 35 mm tornillo (BB) son pre-ensamblado en el manilla de la puerta (D).

## PREPARACIÓN ANTES DEL ENSAMBLADO

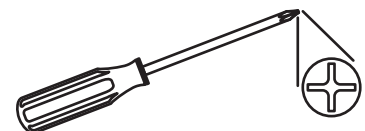
---

Antes de comenzar a ensamblar el producto, asegúrese de tener todas las piezas. Compare las piezas con la lista del contenido del paquete de la página anterior y los aditamentos que aparecen arriba. No intente ensamblar el producto si falta alguna pieza o si estas están dañadas. Póngase en contacto con el Departamento de Servicio al Cliente para obtener piezas de repuesto. Si tiene preguntas relacionadas con el producto, llame al Servicio al Cliente al: 1-877-447-4768, de 8:30 am - 4:30 pm, hora central, de lunes - viernes.

**Tiempo estimado de ensamblaje:** 15 minutos

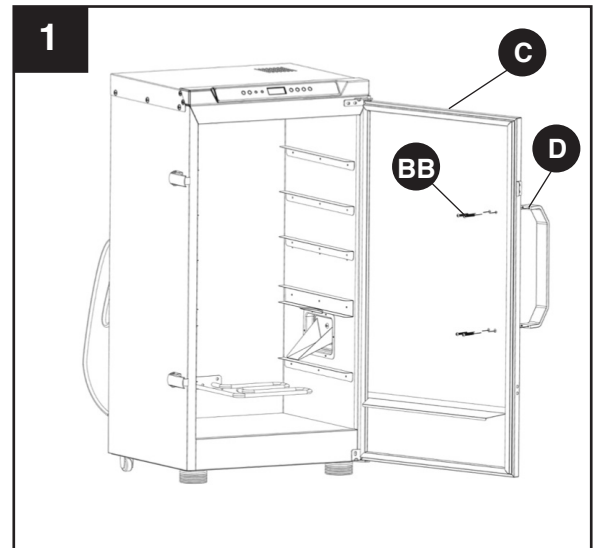
**Herramientas necesarias para el ensamblaje y la prueba de fugas (no se incluyen):**

Destornillador Phillips



## INSTRUCCIONES DE ENSAMBLAJE

1. Retire los 4 tornillos M4 x 35 mm pre-ensamblados (BB) de la manilla de la puerta (D) y una el manilla de la puerta (D) en el conjunto de la puerta (C) mostrado. Apriete los tornillos.

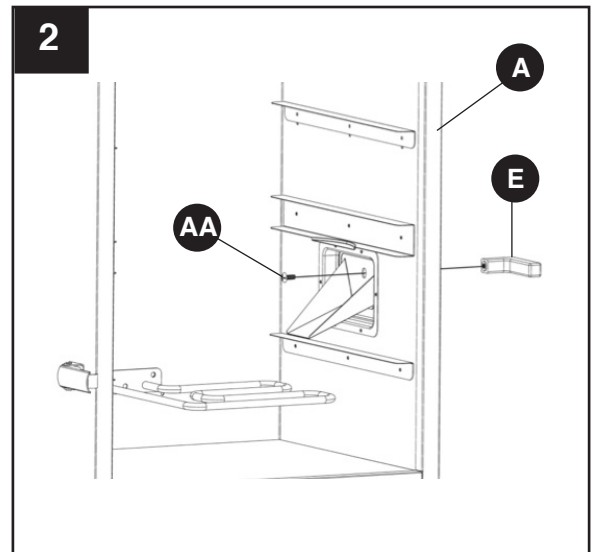


### Aditamentos utilizados

**BB** M4 x 35 mm  
Tornillo x 4

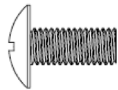


2. Quite 1 tornillo M5 x 12 mm pre-ensamblado (AA) de la manilla de la puerta de acceso de astillas de madera (E). Inserte el tornillo en el conjunto del gabinete del ahumador (A), y en los agujeros de rosca en la manilla de la puerta de acceso de astillas de madera (E). Apriete el tornillo.



### Aditamentos utilizados

**AA** M5 x 12mm  
Tornillo x 1

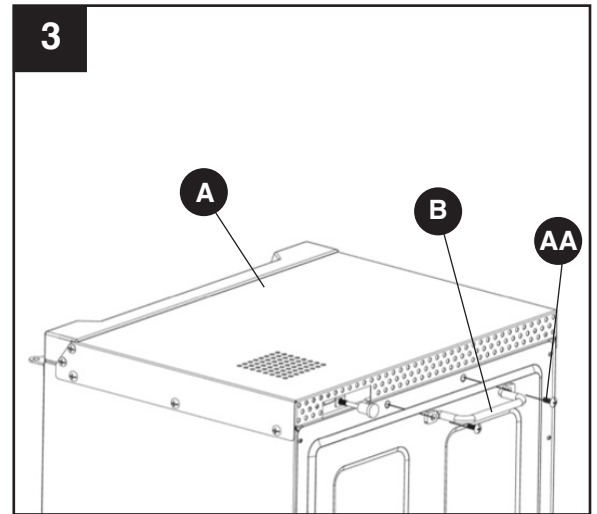
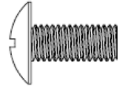


## INSTRUCCIONES DE ENSAMBLAJE

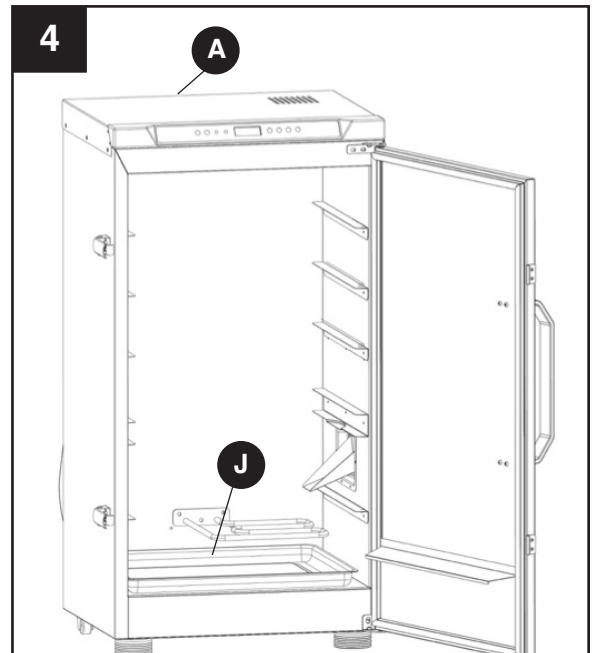
3. Quite los 2 tornillos pre-ensamblados M5 x 12 mm (AA) del conjunto del gabinete del ahumador (A). Inserte los 2 tornillos en la manilla trasera (B) y en los agujeros de rosca en el conjunto del gabinete del ahumador (A). Apriete los tornillos.

### Aditamentos utilizados

**AA** M5 x 12 mm  
Tornillo x 2



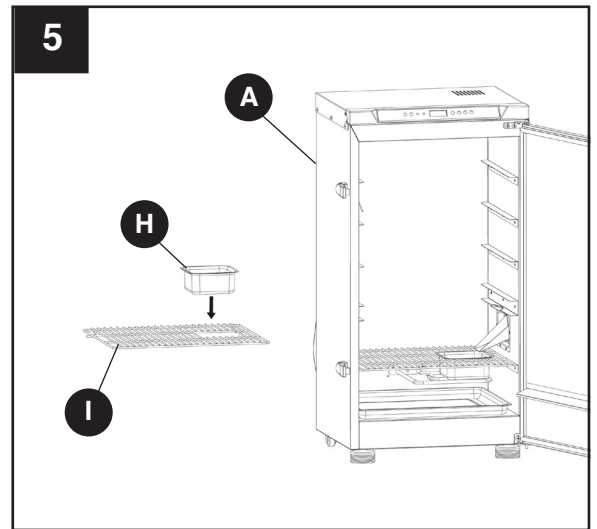
4. Coloque el recipiente de grasa (J) en la parte inferior del conjunto de gabinete del ahumador (A) como se muestra.



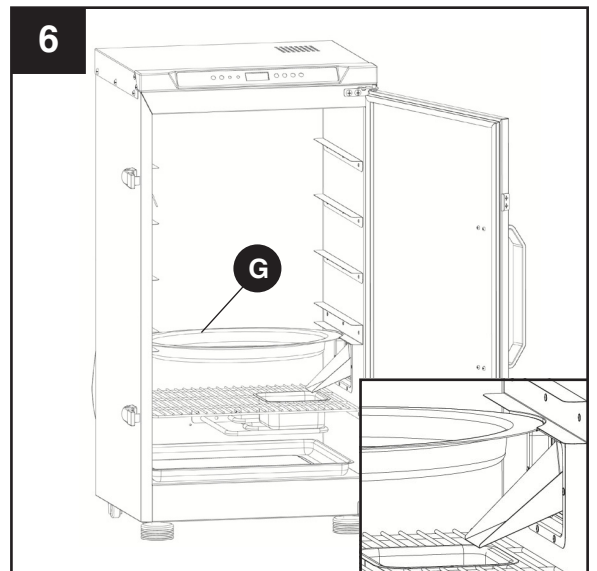
## INSTRUCCIONES DE ENSAMBLAJE

5. Coloque el depósito de astillas de madera (H) en el soporte de depósito de astillas de madera (I). Inserte el soporte de depósito de astillas de madera (I) en el interior del conjunto de gabinete del ahumador (A).

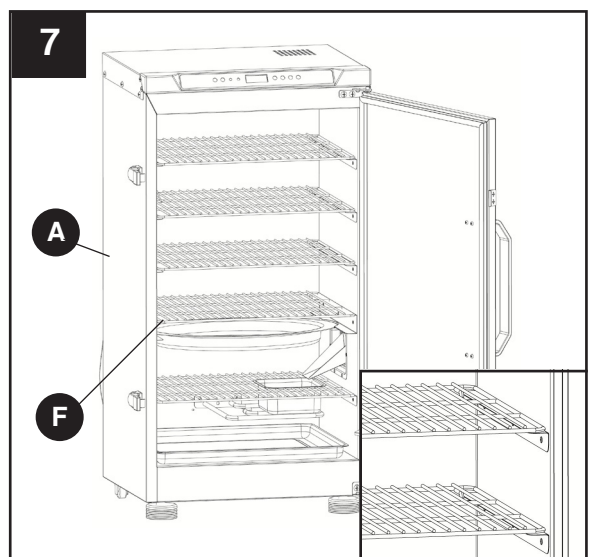
**Nota:** El depósito de astillas de madera debe estar en el lado derecho del gabinete del ahumador (A), directamente debajo del cargador de astillas de madera, como se muestra.



6. Deslice el tazón de agua (G) en los rieles de apoyo del gabinete directamente sobre el cargador de astillas de madera, como se muestra.



7. Deslice el tazón de agua (G) en los rieles de apoyo del gabinete directamente sobre el cargador de astillas de madera, como se muestra.



## INSTRUCCIONES DE FUNCIONAMIENTO

### LEA TODAS LAS INSTRUCCIONES ANTES DE USAR EL AHUMADOR POR PRIMERA VEZ

#### Antes del Uso Inicial:

Retire todo el epaue, etiquetas colgantes, correas de plástico, y pegatinas de ventas si está presente. No utilice herramientas afiladas.

Lave las parrillas de cocción con agua tibia y jabón, enjuague y deje que se seque completamente antes de colocarlos de nuevo en el ahumador.

Antes del primer uso, es importante "preparar" su ahumador. Condimento ayuda a eliminar posibles residuos de la fábrica que se produce durante la producción y la mejora el sabor, durabilidad y el rendimiento general. Consulte la página 62 para el funcionamiento de la hora y la temperatura necesaria para cocinar condimentos.

#### Antes de Cada Uso:

### LEA TODAS LAS INSTRUCCIONES ANTES DE USAR EL AHUMADOR

- El ahumador debe estar sobre una superficie nivelada, estable y incombustible en un area libre de material combustible, incluyendo hierba larga o seco.
- Evite mover el ahumador sobre superficies desiguales o irregulares. Daño al ahumador puede ocurrir como resultado.
- Para evitar que los interruptores de la casa se tropiezen, mantenga control del ahumador electricos y las conexiones del cable seco y no utilice otros productos eléctricos en el mismo circuito.
- Asegúrese de que el recipiente de grasa, depósito de astillas de madera y un tazón de agua esten limpios y vacíos y se colocan de nuevo en el ahumador de acuerdo a las instrucciones.
- Cubra ligeramente cada parilla de cocinar con aceite de vegetal o aceite de vegetal en aerosol, para evitar que los alimentos se peguen en las parillas durante la cocción.
- **NO** cubra las parillas de coccion con papel de aluminio.

## ⚠ ADVERTENCIA ⚠

**Si no se siguen todas las instrucciones del fabricante puede resultar en lesiones personales graves y/o daños a la propiedad.**

**Tenga cuidado cuando utilice su ahumador.**

**Para evitar posible ataques de asma o incendios de grasa, limpiar y vaciar el tazón de agua y el recipiente de grasa antes de su uso.**

**Lea y siga toda la informacion y las garantias en esta guia del producto antes de intentar ensamblar o operar este ahumador.**

## ⚠ PRECAUCIÓN ⚠

- **No utilice herramientas cortantes o puntiagudos para limpiar ahumador.**
- **No utilice limpiadores de horno abrasivos, lana de acero o cepillos metálicos para limpiar las parrillas de porcelana o del ahumador. Ellos dañarían el acabado.**
- **Reemplazar parte(s) dañada unicamente con Dyna-Glo repuestos certificado. No intente reparar las partes dañadas.**

## INSTRUCCIONES DE FUNCIONAMIENTO

### Guía de Seguridad


- Consulte la "Sección Solución de problemas", en las páginas 73 y 74, por problemas operativos.
- **NO** abra la puerta del ahumador durante el funcionamiento, a menos que sea necesario. Al abrir la puerta permitirá que el calor se escape y prolongar el tiempo de cocción.
- **NO USE CARBÓN.** Este aparato no está diseñado para su uso con carbón y un incendio producirá si el carbón se utiliza durante la operación. El fuego se va a crear una situación de inseguridad y dañar el ahumador.
- **Astillas de madera** deben ser utilizados para crear el humo y sabor.
- Con el fin de mantener un rendimiento óptimo, la limpieza del ahumador después de cada uso es muy recomendable. Espere hasta que el ahumador se haya enfriado por completo antes de la limpieza. Consulte la sección Cuidado y mantenimiento en la página 72.

### Instrucciones de Panel de control de funcionamiento





 – Prende y apaga el ahumador

 – Cambia entrada para ajuste de temperature de coccion.

 – Cambia entrada para ajuste tiempo de coccion. Cambia entre F y C cuando se sostiene por 5 segundos.

 – Muestra la temperature de la carne, cuando es apretada.

 – Indica que el ahumador esta conectado y listo para prender, cuando esta encendido.

 – Indica el quemador esta encendido, cuando esta encendido.

- Presione el **Boton de Poder** (🔌) una vez (un pitido debe ocurrir). La pantalla cambiará entre las 00:00 y la temperatura interna (F o C) cada pocos segundos hasta que el panel de control recibe los ajustes de entrada para el **botón de temperatura** (🌡️) y/o **botón Tiempo** (🕒).

**NOTA :** Deje siempre el tazon de agua en su lugar mientras se opera el ahumador. Si se necesita más agua durante el proceso de cocción, con cuidado vierta agua en el orificio bandeja de goteo. **NO** retire el tazon de agua para agregar agua. Evitar las salpicaduras de agua sobre el elemento de calentamiento. Graves daños al elemento de calentamiento puede resultar, además de ataques de asma y falla eléctrica.

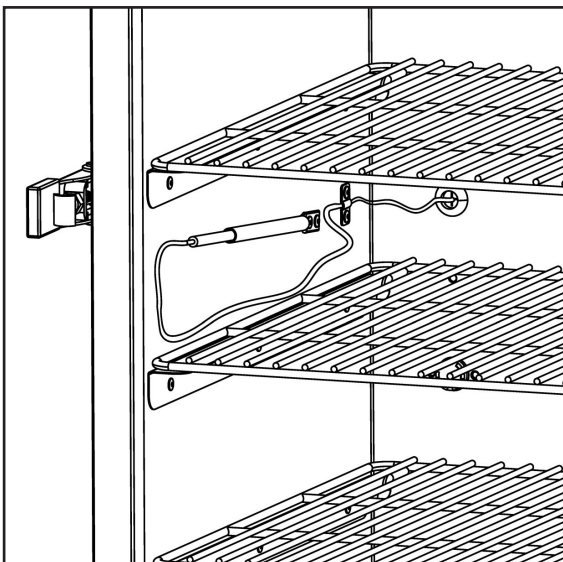
## INSTRUCCIONES DE FUNCIONAMIENTO

---

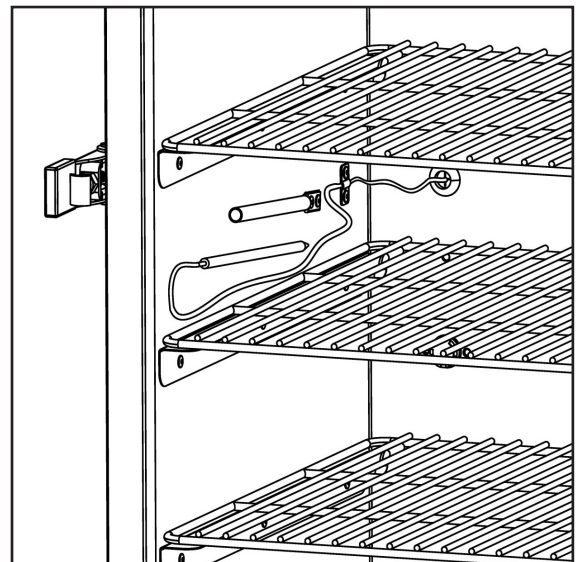
### Utilizando el termómetro de carne:

El termómetro de carne mide la temperatura interna de la carne y es útil para indicar cuando la comida ha llegado a la temperatura recomendada para el consumo seguro. Consulte la tabla en la página 71 para temperaturas de los alimentos adecuados. Para la colocación adecuada, retire la sonda de la funda y empuje el extremo del termómetro hacia el centro de la parte más gruesa de la carne. Esta porción de la carne requerirá el tiempo de cocción más largo . Si su carne tiene un hueso, evite tocar la punta del termómetro al hueso durante la cocción. Si el termómetro no se utiliza durante el proceso de cocción, se debe tener en el interior de la funda. Para obtener más información acerca de la llamada seguridad de los alimentos : Carnes y Aves Hotline al 1-888 - MPHotline ( 888-674-6854 ) en Washington , DC  
O correo electrónico: [mphotline.fsis@usda.gov](mailto:mphotline.fsis@usda.gov)  
O visite el sitio web de USDA en [www.fsis.usda.gov](http://www.fsis.usda.gov)

**Sonda de Carne en la funda**



**Sonda de Carne fuera de la funda**



## INSTRUCCIONES DE FUNCIONAMIENTO

---

### Cocinando con el ahumador:

#### A. Usando el Boton de Tiempo (🕒)

Pantalla: 00:00 – 24:00 hours.

1. Conecte el ahumador y pulse el **botón de Encendido** (🔥) una vez (un pitido debe ocurrir).
2. Pulse el **botón Tiempo** (🕒) para mostrar "00:00". El lado hora parpadeará dentro y fuera.
3. Pulse el botón **"UP"** o **"DOWN"** para subir o bajar la hora en incrementos de 1 hora . (La pantalla continuará parpadeando ) . Mantenga pulsado el botón para aumentar de forma automática o disminuir el tiempo y suelte el botón cuando la cocción deseado se alcanza ajuste de tiempo . NOTA: Si los botones **"UP"** o **"DOWN"** no son empujados dentro de los 5 segundos , el ajuste de tiempo por defecto de nuevo a " 00:00" y el **botón tiempo** (🕒) debe ser empujado de nuevo para reiniciar el tiempo proceso de ajuste.
4. Pulse el **botón Tiempo** (🕒) de nuevo para completar el ajuste de la hora. El lado minuto ahora parpadeará dentro y fuera.
5. Pulse el botón **"UP"** o **"DOWN"** para subir o bajar los minutos. La pantalla seguirá parpadeando.
6. Pulse el **botón Tiempo** (🕒) de nuevo para completar el ajuste de los minutos. La visualización de la hora dejará de parpadear y la luz indicadora "Calefacción" se encenderá. La temperatura de cocción ya está listo para establecer.

**NOTA:** La temperatura por defecto está ajustado a 100° F (38° C).

**NOTA:** Para cambiar entre Fahrenheit (F) y Celsius (C), presione y mantenga presionado el Tiempo (🕒) botón durante 5 segundos. Un pitido ocurrirá y la pantalla cambiará entre la nueva lectura de la temperatura y el tiempo de cocción.

#### B. Ajuste de la temperatura de coccion

1. Pulse el **botón temperatura** (🌡️). La pantalla parpadeará para indicar que la temperatura está listo para establecer.
2. Mantenga pulsado el botón **"UP"** o **"DOWN"** para aumentar o disminuirá automáticamente el ajuste de temperatura y suelte el botón cuando se alcance el ajuste de la temperatura de cocción deseado . NOTA : Si los botones **"UP"** o **"DOWN"** no son empujados dentro de los 5 segundos , la temperatura por defecto de nuevo a la configuración original de 100° F (38° C). y el botón de temperatura debe ser empujado de nuevo para reiniciar el proceso de ajuste de la temperatura.
3. Pulse el **botón temperatura** (🌡️) de nuevo para completar el ajuste de temperatura. La pantalla dejará de parpadear.

**NOTA:** El proceso de calentamiento no se iniciará hasta que se haya establecido el tiempo de cocción. El temporizador de cocina comenzará la cuenta regresiva , una vez que se establece la temperatura de cocción deseada y el "Calefacción" luz indicadora se apagará, cuando se alcanza la temperatura de cocción interna deseada.

- La pantalla continuará alternando, cada pocos segundos, entre el restante tiempo de cocción y la lectura de la temperatura interna.
- El ahumador pitará 3 veces cuando el temporizador de cocina llega a "00:00".
- Configuraciones de hora y temperatura se puede ajustar en cualquier momento durante el proceso de cocción.

**IMPORTANTE:** Siempre cocine tanto con el cuenco de agua y depósito de desechos de madera en su lugar, independientemente de si están o no están llenos.

#### C. Boton Sonda Carne (🍖)

Insertar la sonda de carne en la carne. Mantenga pulsado el **botón de la sonda de la carne** (🍖) para mostrar la temperatura de la carne. La pantalla volverá a la temperatura interna del fumador

## INSTRUCCIONES DE FUNCIONAMIENTO

después de que el **botón de la sonda de la carne** (🍖) se libera .

Consulte la página 71 para temperaturas fumadores y carne sugeridas.

**NOTA:** Si el aparato está encendido y deja desatendido durante 19 horas, el aparato se apagará automáticamente. La lectura de la temperatura del panel de control puede fluctuar más o menos (5.8 ° C) 10-15°F, como los ciclos de electrodomésticos para mantener la configuración de la temperatura de cocción correcta.

### Sazonar el Ahumador (Antes del uso inicial)

Para sazonar su ahumador, siga estos pasos SIN el uso de los alimentos:

1. Coloque deseada maderas aromatizantes en depósito de astillas de madera y se llenan a 3/4 llena. NO coloque el agua en el tazon de agua.
2. Con la puerta cerrada del ahumador, gire el ahumador pulsando el **botón de Encendido** (🔥).
3. Pulse el **botón de temperatura** (🌡️) y utilizar el "UP" o "DOWN" para ajustar la temperatura de cocción a 275° F (135° C).
4. Pulse el **boton Tiempo** (🕒) y utilice los botones "UP" o "DOWN" para ajustar el tiempo de 2 horas (02:00)
5. Una vez que se haya completado el sazonador, el interior de su ahumador tendrá un recubrimiento durable, sazonada.
6. Deje que el ahumador se enfríe completamente y limpiar el depósito de astillas de madera.

## ⚠ PRECAUCIÓN ⚠

El ahumador se CALIENTA durante el uso. Use guantes resistentes al calor en su acceso al interior del ahumador.

### Utilizando el Deposito de Astilla de Madera:

El deposito de astilla de madera esta diseñado para proporcionar una cantidad sostenible de humo y las llamas durante el proceso de coccion. Rellene el cuadro de al menos 1/2 a 3/4 lleno de astillas de madera deseados o pellets de madera. Cualquier cosa más o menos de esta cantidad no puede crear la cantidad apropiada de humo para añadir sabor. Consulte la pagina 71 para los tipos de virutas de madera que se recomiendan para diversos alimentos. Para añadir mas astillas o pellets durante el proceso de coccion, basta con abrir la puerta de acceso lateral y colocar un pequeño puñado de virutas o pellets en el cargador. Cerrando la puerta permitira que las virutas o pellets caigan en el deposito de astillas de madera. No utilice trozos de madera o carbon. **NOTA:** El uso de virutas de madera o pellets de madera no es necesaria durante el proceso de cocción.

**NOTA:** Opere siempre el ahumador con el depósito de astillas de madera en su lugar - independientemente de si o no se utilizan astillas de madera.

### Usando el Tazon de Agua:

El tazón de agua se difunde el calor directo entre el alimento y el elemento quemador. No se requiere el uso de agua en la taza, pero el tazon de agua DEBE estar en su lugar durante la operación. Para utilizar el bol, cubrir al menos 3/4 de su capacidad con agua tibia, antes de encender el ahumador. El agua fría puede prolongar el proceso de cocción. No llene demasiado el tazon de agua. Si lo hace, puede provocar que el agua salpique dentro del ahumador.

### ⚠ PRECAUCIÓN ⚠

- **No utilice herramientas cortantes o puntiagudos para limpiar ahumador.**
- **No utilice limpiadores de horno abrasivos, lana de acero o cepillos metálicos para limpiar las parrillas de porcelana o del ahumador. Ellos dañarían el acabado.**
- **Reemplazar parte(s) dañada únicamente con Dyna-Glo repuestos certificado. No intente reparar las partes dañadas.**

- Con el fin de mantener un rendimiento óptimo, la limpieza del ahumador después de cada uso es recomendado.
- Espere hasta que el ahumador se haya enfriado por completo antes de la limpieza.
- Plástico o cepillos de cerdas se pueden utilizar para la limpieza de las manchas difíciles.
- **NO** use lana de acero o cepillos de alambre. Las piezas pueden desprenderse y tocar las partes eléctricas, creando un riesgo de descarga eléctrica.
- Limpie la carcasa del controlador y el elemento de calentamiento frotando con un paño húmedo. Use un detergente suave.
- Secar completamente la carcasa del controlador y el elemento de calentamiento antes de su uso. Si no lo hace, puede provocar daños en el controlador y evitar que el ahumador no funcione correctamente.
- Limpie las parrillas de cocción con agua tibia y jabón o con bicarbonato de sodio y agua. No limpiador de polvo abrasivo se puede utilizar para las manchas difíciles.
- Limpie el recipiente para la grasa y el tazón de agua con un paño húmedo y agua jabonosa caliente. Permitir los líquidos dentro del tazón de agua y recipiente de grasa que se enfríe completamente antes de limpiar.
- Evite limpiar las superficies para cocinar, mientras que el ahumador está todavía caliente.
- Siga todas las advertencias y precauciones de seguridad antes de retirar la carne del ahumador o preparar la unidad para su almacenamiento. Por favor, consulte la página 54 de las advertencias y precauciones importantes.

## CONSEJOS SOBRE AHUMADO

Vinculación de astillas de madera con un tipo específico de comida dependerá de las preferencias del usuario. Esta página puede ser utilizada como una guía general para adquirir el sabor ideal.

- Las maderas duras tales como el nogal, pacana, manzana, cereza o mezquite suelen quemarse más lento y producen más humo durante períodos más largos de tiempo.
- Para prolongar el ciclo de combustión para virutas de madera, pre-remojar en un recipiente aparte de agua por lo menos 30 minutos y / o envuelva las fichas en papel de aluminio perforado.
- La mayoría de aroma de humo se produce dentro de la primera hora de cocinar. **Adición de astillas de madera después de la primera hora por lo general no es necesario a menos que se desee mayor sabor a ahumado.**

He aquí una lista de las maderas más populares ahumadoras y un poco de información acerca de cada una.

Tipo de madera	Alimentos sugeridos	Comentarios
Manzano	Carnes de todo tipo	Sabor suave y dulce con un leve toque frutal. Cada especie de manzano debe ofrecer un sabor levemente diferente. El humo de manzanos produce un efecto dorado atractivo.
Almendra	Carnes de todo tipo	Ofrece un humo dulce con un sabor avellanado natural.
Cenizas	Pescado y carnes rojas	Sabor muy suave.
Citrus	Cerdo y pollo	La madera de limoneros y naranjos produce un sabor suave y frutal.
Cherry	Cerdo y res	Sabor frutal y suave.
Madera de frutales	Cerdo, aves y pescado	La madera de durazneros, perales y ciruelos produce un humo dulce suave y un leve sabor frutal.
Parra	Aves, game y cordero	La madera de parra produce mucho humo. Con poca cantidad de madera es suficiente. Produce un sabor ácido que tiene un toque frutal.
Nogal americano	Cerdo y res	Podría decirse que la madera de nogal es la favorita para ahumar. El nogal produce un sabor muy fuerte, por lo tanto se recomienda comenzar despacio con esta madera.
Maple	Cerdo y aves	Suave y dulce.
Mesquite	Res, pollo y pescado	Tenga cuidado porque esta madera se calienta mucho al quemarse. Del mismo modo que la madera de nogal, la de mesquite es muy popular y produce un sabor fuerte.
Oak	Carnes rojas, aves de corral, costillar y pescado	Otra madera que produce un humo espeso. Comience despacio con esta madera.
Pacana	Costillar y carnes rojas	Produce un humo suave que ofrece un sabor dulce y avellanado.

# FUMAR Y TEMPERATURAS DE CARNE SUGERENCIAS

## TEMPERATURAS DE AHUMADO SUGERIDAS

Temperaturas fumar ACURATE son críticos para cocinar los alimentos de manera segura cuando las sondas de carne no son disponible. Por favor, comprenda que el uso del medidor de temperatura instalado en fábrica es una aceptable herramienta para ahumar alimentos, pero no siempre es el medio ideal para medir el fumar más precisa la temperatura porque la temperatura interna fumador puede variar entre la cocina superior e inferior rejillas. También hay que tener en cuenta que las sondas utilizadas en la mayoría de los medidores están diseñados para medir la temperatura en la punta de la sonda de temperatura y no la temperatura global del fumador.

Alternativamente, se recomienda que los usuarios o bien comprar una temperatura mercado de accesorios, listos para el horno medir, o un termómetro de carne. Termómetros de carne son la forma más eficaz de determinar cuándo la comida es cocinada a la temperatura mínima requerida para el consumo seguro. Por favor, consulte la tabla siguiente para temperaturas de cocción.

### TEMPERATURAS DE AHUMADO SUGERIDAS

	Temperatures de ahumado sugeridas	Temperaturas Mínimas Recomendadas para los Alimentos
<b>Carne, Aves, Pescado</b>		
<b>Carne de res, ternera y cordero (piezas y cortes completos)</b>		
Medio cruda	225°F (107.2°C)	145°F (63°C)
Término medio	225°F (107.2°C)	160°F (71°C)
Bien asada	225°F (107.2°C)	170°F (77°C)
<b>Cerdo (jamón, lomo de cerdo, costillas)</b>		
Cerdo (piezas y cortes completos)	225 - 240°F (107.2 - 115.6°C)	160°F (71°C)
<b>Carne molida y mezclas de carne (hamburguesas, salchichas, albóndigas, pastel de carne, guisos y carne ablandada mecánicamente)</b>		
Carne de vaca, (incluyendo ablandada mecánicamente) cordero y cerdo	250 - 300°F (121 - 149°C)	160°F (71°C)
Aves (pollo & pavo)	250 - 300°F	165°F (74°C)
<b>Aves (pollo &amp; pavo)</b>		
Piezas	250°F (121°C)	165°F (74°C)
Completo	240°F (115.6°C)	185°F (85°C)
<b>Comida de mar</b>		
Pescado	225 - 240°F (107.2 - 115.6°C)	158°F (70°C)
Mariscos (camarón, langosta, cangrejo, escalopes, almejas, mejillones y ostras)	225 - 240°F (107.2 - 115.6°C)	165°F (74°C)
Puesto que es difícil utilizar un termómetro de alimentos para verificar la temperatura de los mariscos, descarte aquellos que no abran después de cocinados.		

	Temperatures de ahumado sugeridas	Temperaturas Mínimas Recomendadas para los Alimentos
<b>De Caza</b>		
<b>Chuletas, filetes y asados (venado, alces, caribú / reno, antílope y berrendo)</b>		
Bien asada	225°F (107.2°C)	170°F (77°C)
<b>Caza mayor</b>		
Oso bisonte, buey almizclero, morsa, etc	250 - 300°F (121 - 149°C)	165°F (74°C)
<b>Caza menor</b>		
Conejo, rata almizclera, castor, etc	225 - 240°F (107.2 - 115.6°C)	165°F (74°C)
<b>Carne molida</b>		
Carne molida y mezclas de carne	250 - 300°F (121 - 149°C)	165°F (74°C)
Venado molido y salchichas	250 - 300°F (121 - 149°C)	165°F (74°C)
<b>Aves de caza / aves acuáticas (pavo silvestre, pato, ganso, perdiz y faisán)</b>		
Completo	250°F (121°C)	180°F (82°C)
Pechugas y asados	250°F (121°C)	165°F (74°C)
Muslos, alas	250°F (121°C)	165°F (74°C)
Relleno (cocinado solo o dentro de un ave)	250°F (121°C)	165°F (74°C)

### DESPUÉS DEL USO DE CUIDADO Y MANTENIMIENTO

## ⚠ ADVERTENCIA ⚠

- Tenga cuidado al levantar o mover el ahumador para evitar lesiones por esfuerzo. Se recomiendan dos personas para levantar o mover el ahumador.
- **NO** almacene cerca del fumador gasolina u otros líquidos inflamables o combustibles, donde los vapores puedan estar presentes. Mantenga el área alrededor del fumador despejada y libre de materiales combustibles y vapores.
- **NO** almacene este año en la zona de fumador disponibles para los niños o mascotas. Guarde el ahumador en un lugar seco, protegida de ubicación.
- **NO** permita que nadie conduite actividades alrededor del ahumador hasta que se haya enfriado Después de su uso. Hace calor y la caída en la operación permanece caliente durante un período de tiempo después de su uso.
- **NO** deje ceniza caliente sin vigilancia hasta que el ahumador se enfríe completamente.
- El fumador se vuelve extremadamente caliente - permitir que el ahumador se enfríe completamente antes de manipularla. Deje que se enfríe antes de que el fumador Extracción y limpieza de la bandeja para la grasa.
- Si usted debe tener las cenizas en menos tiempo del que tarda em se enfríe completamente, retire la bandeja de carbón utilizando guantes resistentes al calor y colocar las cenizas en papel de aluminio. Completamente remojar las cenizas con agua antes de deshacerse de ellos en un recipiente no combustible.

## ⚠ PRECAUCIÓN ⚠

Todos los procedimientos de cuidado y mantenimiento deben ser realizadas mientras el ahumador está apagado y se ha enfriado. Realice siempre el mantenimiento por un técnico cualificado.

Para limpiar el interior y el exterior del gabinete del ahumador, simplemente utilice un paño humedo.

No se recomienda el lavado con una manguera de agua. La humedad debe limpiarse de distancia y no se deajo estar en el interior o en la parte superior del ahumador. Una vez limpio, puede que prefiera para recubrir ligeramente el interior del gabinete del ahumador con aceite de cocina o aceite en aerosol.

Si el oxido esta presente en la superficie exterior del ahumador, limpie el área con lana de acero o papel de lija y el uso de alta resistencia, pintura resistente al calor.

**NUNCA** aplique pintura adicional al interior del ahumador.

## SOLUCIÓN DE PROBLEMAS

Si usted tiene alguna pregunta sobre el producto, por favor llame a servicio al cliente al 1-877-447-4768, 08:30 am - 16:30 CST, Lunes - Viernes.

PROBLEMA	CAUSA POSIBLE	ACCIÓN CORRECTIVA
<b>Ahumador sin el calor.</b>	<ul style="list-style-type: none"> <li>Ahumador esta apagado</li> <li>No tiene energia</li> <li>Controlador defectuoso o elemento de calentamiento</li> </ul>	<ul style="list-style-type: none"> <li>Encienda el ahumador</li> <li>Verifique que no haya tropezos en los circuitos y restablecer el interruptor, si es necesario</li> <li>Compruebe si GFI defectuoso o desconectado (Interruptor de falla de tierra) en la salida. Restablecer el GFI o reemplazar, si es necesario.</li> <li>Si el interruptor o GFI continúa para disparando, utilizar otra toma de corriente en un circuito interruptor independiente.</li> <li>Pruebe con otro aparato que trabaja en la salida.</li> <li>Reemplazar controlador o elemento calefactor</li> </ul>
<b>Dispara el interruptor automatico o el fusible se funde</b>	<ul style="list-style-type: none"> <li>Otro aparatos conectados en el mismo circuito que el ahumador (demasiados aparatos mediante el mismo circuito).</li> <li>La humedad o el agua en el controlador, conexion del cable o la conexion de salida</li> <li>Dañado o cuerda deshilachada</li> <li>Conexion electrica dañada</li> </ul>	<ul style="list-style-type: none"> <li>Encontrar otro tomacorriente en un circuito separado</li> <li>Mantenga todas las conexiones secas y libres de humedad. NO utilice este aparato en la lluvia o cuando la nieve está cayendo.</li> <li>Apague el ahumador, desenchufe el ahumador y compruebe el cable está dañado. Reemplace si es necesario.</li> <li>Reemplace el controlador</li> </ul>
<b>Ahumador no genera suficiente calor</b>	<ul style="list-style-type: none"> <li>Ahumador no fue precalentado suficiente o la temperatura era demasiado bajo</li> <li>La puerta abierta o desbloqueada</li> <li>Cable de extension inadecuada</li> </ul>	<ul style="list-style-type: none"> <li>Pre-caliente durante 15-20 minutos. Aumentar los ajustes de temperatura a través del controlador</li> <li>Cierre la puerta y el pestillo de la puerta antes de su uso.</li> <li>Utilice el cable clasificado para su uso al aire libre a los 15 amperios</li> </ul>
<b>Muy poco o nada de humo procedente del ahumador</b>	<ul style="list-style-type: none"> <li>Insuficiente astillas de madera</li> <li>Las astillas de madera son demasiado pequeños</li> </ul>	<ul style="list-style-type: none"> <li>Comprobar el nivel de astillas de madera. Depósito de astillas de madera debe ser de al menos <math>\frac{3}{4}</math> de su capacidad</li> <li>Para generar cantidades adecuadas de humo, astillas de madera deben ser de al menos 1"-3" (2,5 cm - 7,6 cm) y no más gruesa que <math>\frac{1}{4}</math>" (0,6 cm). No se recomiendan las virutas de madera y trozos de madera. NO use carbon.</li> </ul>

## SOLUCIÓN DE PROBLEMAS

<b>PROBLEMA</b>	<b>CAUSA POSIBLE</b>	<b>ACCIÓN CORRECTIVA</b>
<b>Brotos</b>	<ul style="list-style-type: none"><li>• La carne contiene cantidades excesivas de grasa</li><li>• La temperatura de cocción es demasiado alta</li><li>• Acumulación de grasa</li></ul>	<ul style="list-style-type: none"><li>• Recorte la cantidad adecuada de grasa antes de cocinar</li><li>• Baje la temperatura según sea necesario</li><li>• Limpiar el ahumador, de acuerdo con las instrucciones</li></ul>
<b>Incendio de grasa persistente</b>	<ul style="list-style-type: none"><li>• El exceso de acumulación en la bandeja de goteo de grasa y/o gaveta para grasa</li></ul>	<ul style="list-style-type: none"><li>• Apague el ahumador y abra la puerta para permitir que el fuego se quede. NO utilice agua para apagar el fuego. Lesiones personales pueden resultar. Permitir que el ahumador se enfríe completamente antes de limpiar la bandeja y taza.</li></ul>
<b>Código de error en Panel de control</b>	<ul style="list-style-type: none"><li>• E1 o E2 : Sensor de temperatura defectuoso en la cámara de combustión</li><li>• E3 o E4: Sonda de carne defectuosa</li></ul>	<ul style="list-style-type: none"><li>• Devuelva la unidad a GHP Group para su reparación o reemplazo de la garantía.</li></ul>

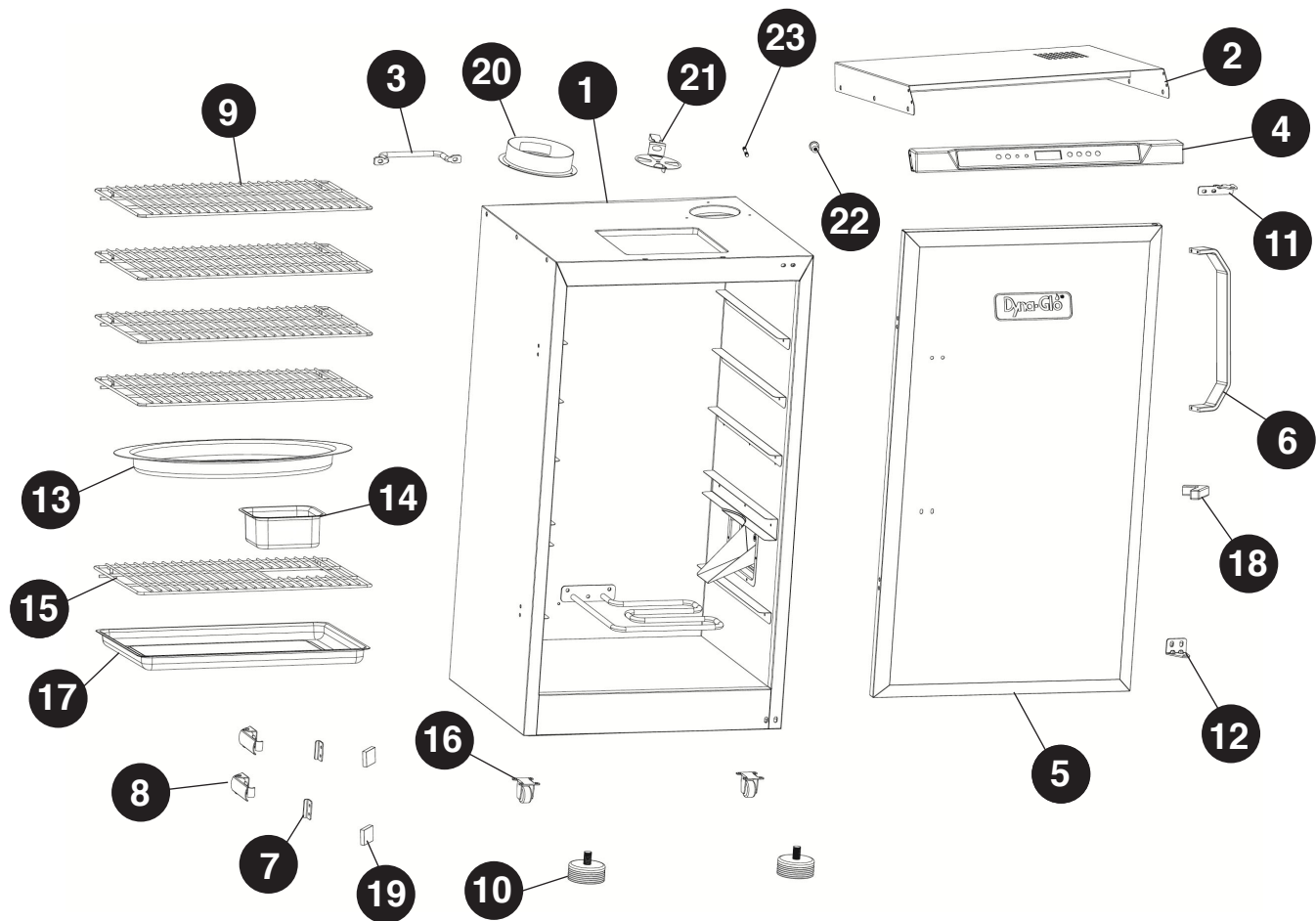
## LISTA DE PIEZAS DE REPUESTO

Para obtener piezas de repuesto, llame a nuestro Departamento de Servicio al Cliente al 1-877-447-4768, de 8:30 am - 4:30 pm, hora central, de lunes - viernes.

REF.	DESCRIPCIÓN	PIEZA #
1	Conjunto del gabinete del Ahumador	70 - 01 - 364
2	Conjunto del Panel Superior del gabinete	70 - 01 - 343
3	Manilla trasera	70 - 01 - 341
4	Panel del Control (Vivienda y Tablero PCB)	70 - 01 - 342
5	Conjunto de la puerta	70 - 01 - 365
6	Conjunto de manilla de puerta	70 - 01 - 344
7	Soporte de Cierre de la puerta	70 - 01 - 352
8	Cierre de puerta de la manilla (sin manga de silicona)	70 - 01 - 353
9	Parillas de coccion	70 - 01 - 351
10	Pata frontal de gabinete L/R	70 - 01 - 355
11	Bisagra de puerta superior	70 - 01 - 339
12	Bisagra de puerta inferior	70 - 01 - 366

REF.	DESCRIPCIÓN	PIEZA #
13	Tazon de agua	70 - 01 - 367
14	Deposito de astillas de madera	70 - 01 - 346
15	Soporte de deposito las astillas de madera	70 - 01 - 368
16	Ruedas traseras	70 - 01 - 354
17	Recipiente de grasa	70 - 01 - 369
18	Manilla de puerta de astilla de madera de acceso*	70 - 01 - 383
19	Manga de silicona para pestillo	70 - 01 - 356
20	Carcasa del amortiguador superior	70 - 01 - 357
21	Placa de la compuerta superior	70 - 01 - 358
22	Manilla de resina para manipulacion superior	70 - 01 - 359
23	Placa de fijación del perno superior	70 - 09 - 123
n/a	Manual de instrucciones	70 - 10 - 559

# LISTA DE PIEZAS DE REPUESTO



## **GARANTÍA**

---

Este Ahumador Digital Electrico Vertical está garantizado contra partes rotas o dañadas en el momento de la compra. Todas las demás partes tienen un (1) año de garantía limitada, excepto el contenedor de carbón, el cual está garantizado como libre de defectos por 90 días. La pintura está garantizada como libre de defectos por 90 días a excepción del óxido, el cual puede aparecer después de un uso repetido.

Esta garantía no cubre daños o problemas ocasionados por negligencia, abuso o modificaciones al electrodoméstico. Los gastos de reparación no están cubiertos.

Todas las piezas que cumplan con los requisitos de la garantía se enviarán sin cargo por el medio que decida el fabricante (envíos por tierra, correo de EE.UU. o servicios de paquetes postales UNICAMENTE). Cualquier otro gasto especial de manipulación (es decir, envíos de dos días, al día siguiente, etc.) será de responsabilidad del cliente.

Todos las reclamaciones de garantía se aplican sólo al comprador original y requieren un comprobante de compra para verificar la fecha de la misma. No devuelva piezas sin antes obtener un número de autorización para la devolución de nuestro Servicio al Cliente. Este servicio está disponible llamando gratis al 1-877-447-4768, de 8:30 am - 4:30 pm, hora central, de lunes - viernes.

AVISO: Algunos estados no permiten la exclusión o limitación de daños accidentales o resultantes, o limitaciones en cuanto al período de duración de una garantía, de modo que las limitaciones o exclusiones anteriores pueden no aplicarse a usted. Esta garantía le otorga derechos legales específicos, pero podría tener también otros derechos legales que varían según el estado.

GHP Group Inc.  
6440 W. Howard Street  
Niles, IL, USA  
60714-3302

Nombre del artículo: Ahumador Electrico Digital Vertical  
Modelo #: DGU732BDE/DGU732BDE-D  
Potencia nominal: 1000W/hr

This file was downloaded from the site  
[mans.io](http://mans.io)

## **Instruction manuals and user guides**

[Samsung](#)

[Pioneer](#)

[Alpine](#)

[LG](#)

[Dell](#)

[Sharp](#)

[Sony](#)

[Philips](#)

[Epson](#)

[Netgear](#)